

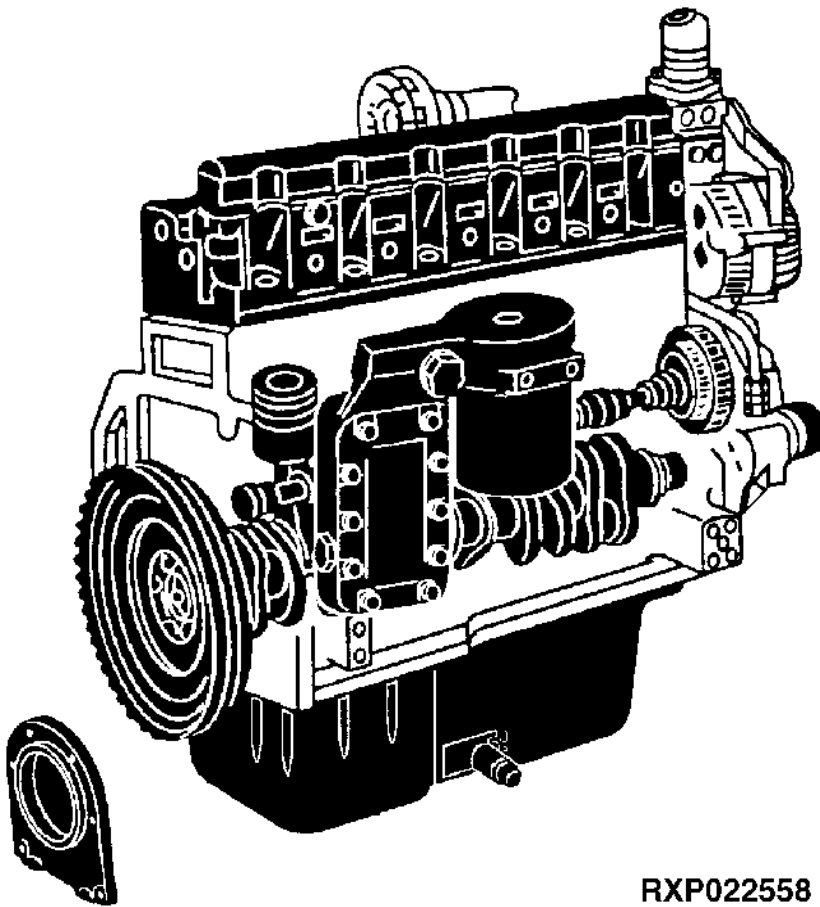
1A2

8100, 8200, 8300, 8400 TRACTORS

PRIMARY INDEX
INDEX PRINCIPAL
HAUPTINDEX
INDICE PRINCIPALE
INDICE DE MATERIAS
HUVUDFORTECKNING
RXP022558 -UN-11MAY99

20 -	1D10
30 -	2D6
40 -	3D12
41 -	3I9
42 -	4D3
43 -	4E4
51 -	4E19
53 -	5D3
54 -	5E13
60 -	6D4
70 -	7D5
71 -	8D2
80 -	8E4
90 -	8H3
91 -	9D3
92 -	9F15

20



RXP022558

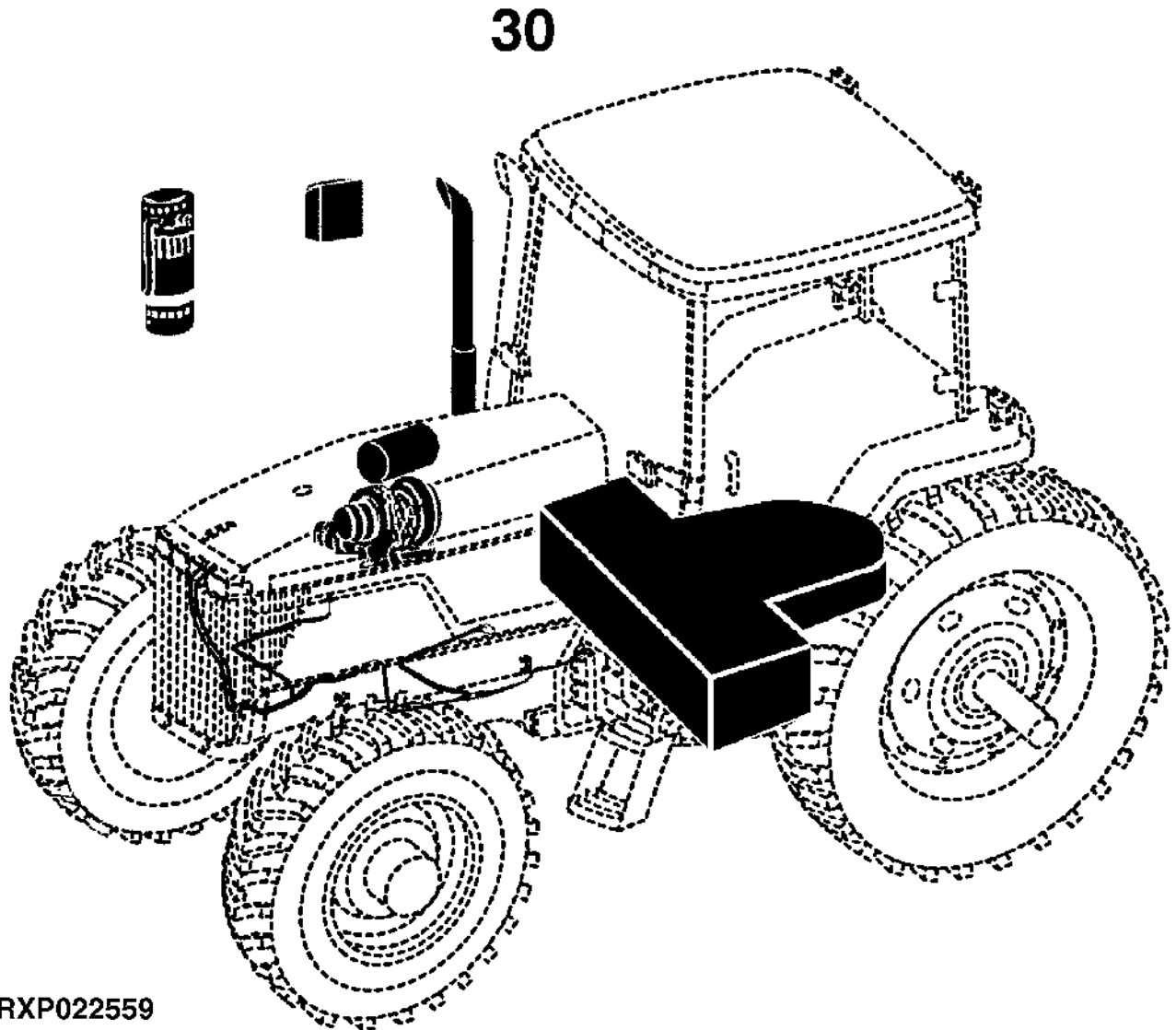
1A3

8100, 8200, 8300, 8400 TRACTORS

PRIMARY INDEX
INDEX PRINCIPAL
HAUPTINDEX
INDICE PRINCIPALE
INDICE DE MATERIAS
HUVUDFORTECKNING

RXP022559 -UN-11MAY99

20 -	1D10
30 -	2D6
40 -	3D12
41 -	3I9
42 -	4D3
43 -	4E4
51 -	4E19
53 -	5D3
54 -	5E13
60 -	6D4
70 -	7D5
71 -	8D2
80 -	8E4
90 -	8H3
91 -	9D3
92 -	9F15



RXP022559

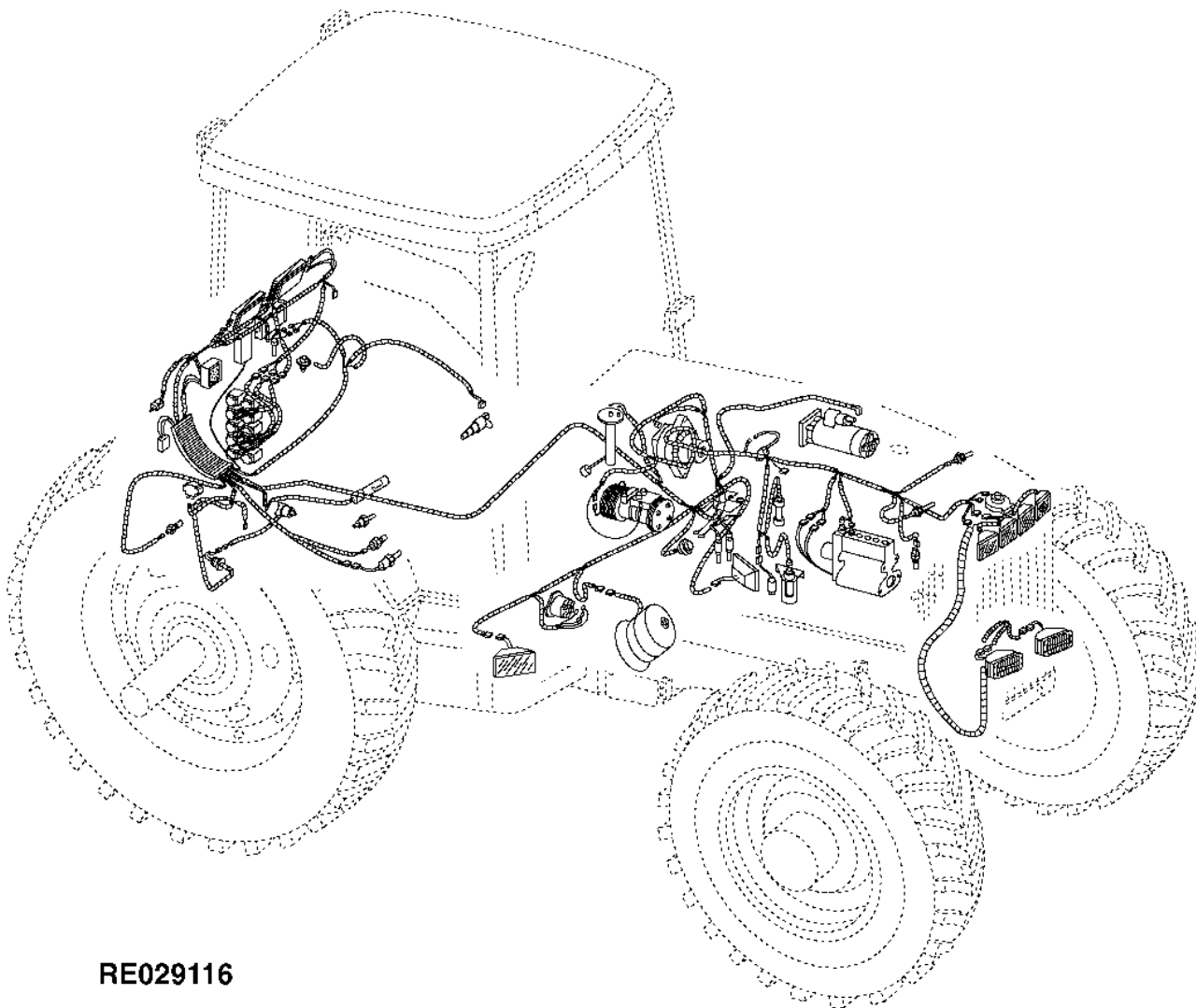
1A4

8100, 8200, 8300, 8400 TRACTORS

PRIMARY INDEX
INDEX PRINCIPAL
HAUPTINDEX
INDICE PRINCIPALE
INDICE DE MATERIAS
HUVUDFORTECKNING
RE029116 -UN-10MAY99

20 -	1D10
30 -	2D6
40 -	3D12
41 -	3I9
42 -	4D3
43 -	4E4
51 -	4E19
53 -	5D3
54 -	5E13
60 -	6D4
70 -	7D5
71 -	8D2
80 -	8E4
90 -	8H3
91 -	9D3
92 -	9F15

40



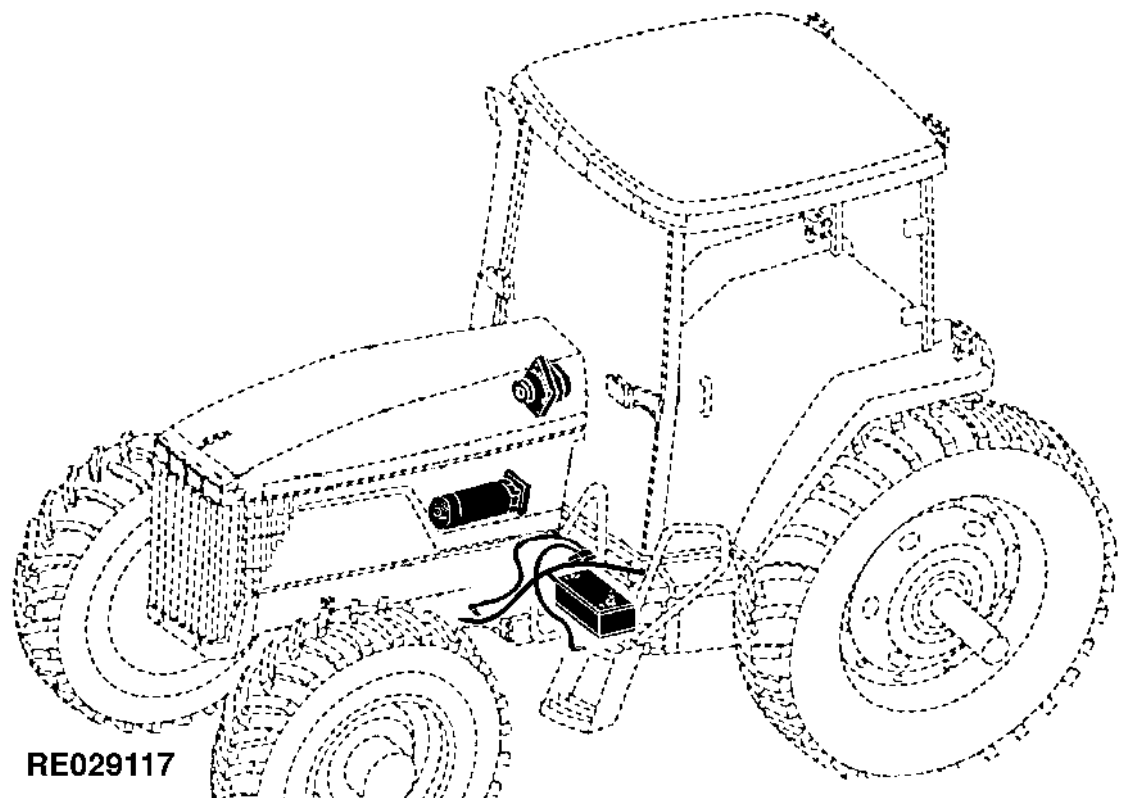
RE029116

PRIMARY INDEX
INDEX PRINCIPAL
HAUPTINDEX
INDICE PRINCIPALE
INDICE DE MATERIAS
HUVUDFORTECKNING

RE029117 -UN-10MAY99

20 -	1D10
30 -	2D6
40 -	3D12
41 -	3I9
42 -	4D3
43 -	4E4
51 -	4E19
53 -	5D3
54 -	5E13
60 -	6D4
70 -	7D5
71 -	8D2
80 -	8E4
90 -	8H3
91 -	9D3
92 -	9F15

41



RE029117

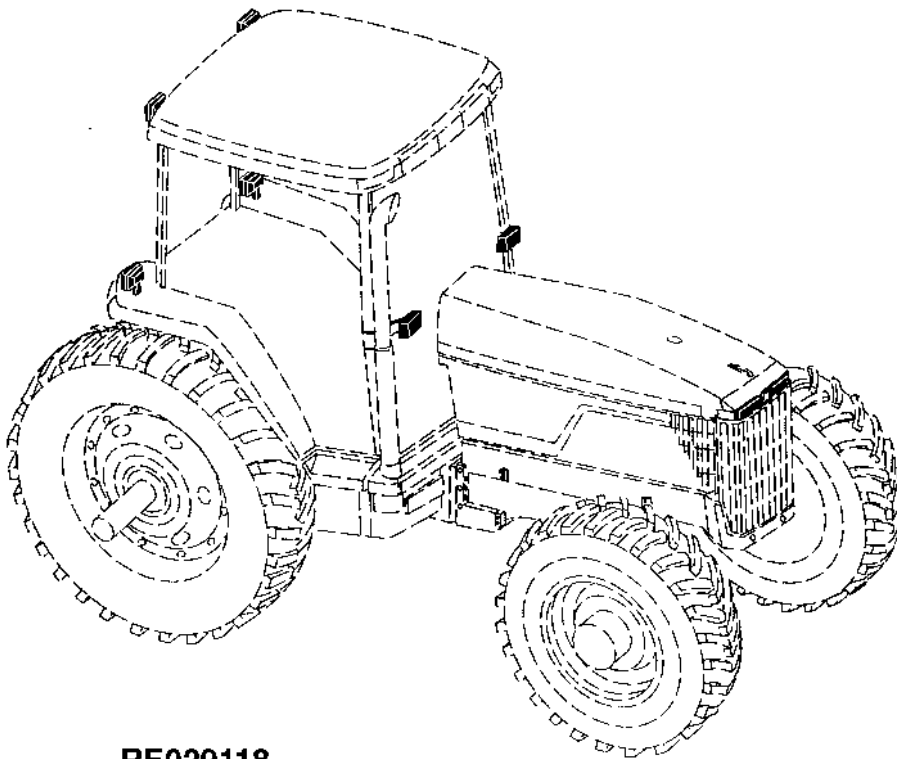
1A6

8100, 8200, 8300, 8400 TRACTORS

PRIMARY INDEX
INDEX PRINCIPAL
HAUPTINDEX
INDICE PRINCIPALE
INDICE DE MATERIAS
HUVUDFORTECKNING
RE029118 -UN-10MAY99

20 -	1D10
30 -	2D6
40 -	3D12
41 -	3I9
42 -	4D3
43 -	4E4
51 -	4E19
53 -	5D3
54 -	5E13
60 -	6D4
70 -	7D5
71 -	8D2
80 -	8E4
90 -	8H3
91 -	9D3
92 -	9F15

42



RE029118

PRIMARY INDEX
INDEX PRINCIPAL
HAUPTINDEX
INDICE PRINCIPALE
INDICE DE MATERIAS
HUVUDFORTECKNING

RE029503 -UN-11MAY99

20 -	1D10
30 -	2D6
40 -	3D12
41 -	3I9
42 -	4D3
43 -	4E4
51 -	4E19
53 -	5D3
54 -	5E13
60 -	6D4
70 -	7D5
71 -	8D2
80 -	8E4
90 -	8H3
91 -	9D3
92 -	9F15

43



RE029503

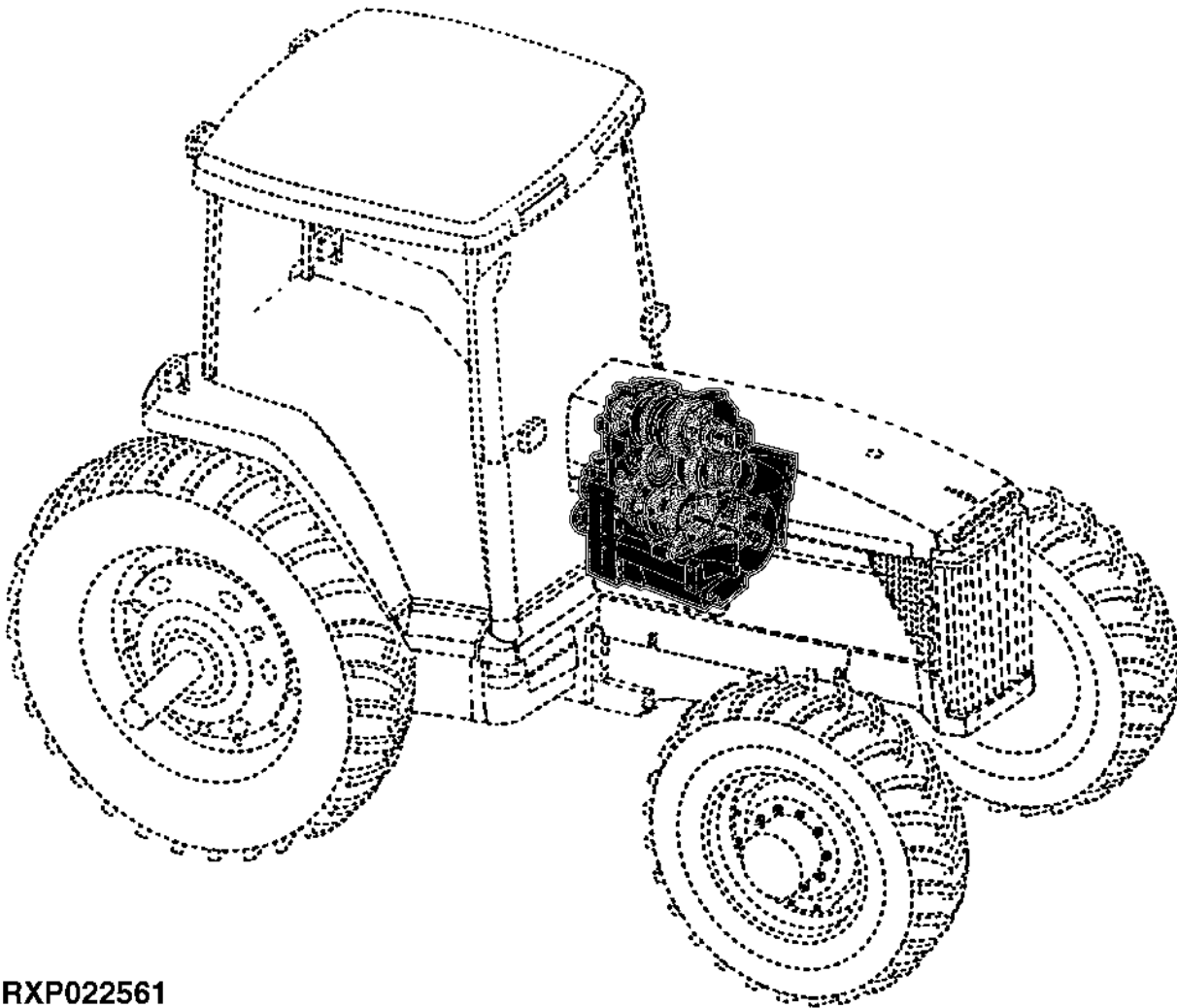
1A8

8100, 8200, 8300, 8400 TRACTORS

PRIMARY INDEX
INDEX PRINCIPAL
HAUPTINDEX
INDICE PRINCIPALE
INDICE DE MATERIAS
HUVUDFORTECKNING
RXP022561 -UN-09JUN98

20 -	1D10
30 -	2D6
40 -	3D12
41 -	3I9
42 -	4D3
43 -	4E4
51 -	4E19
53 -	5D3
54 -	5E13
60 -	6D4
70 -	7D5
71 -	8D2
80 -	8E4
90 -	8H3
91 -	9D3
92 -	9F15

51



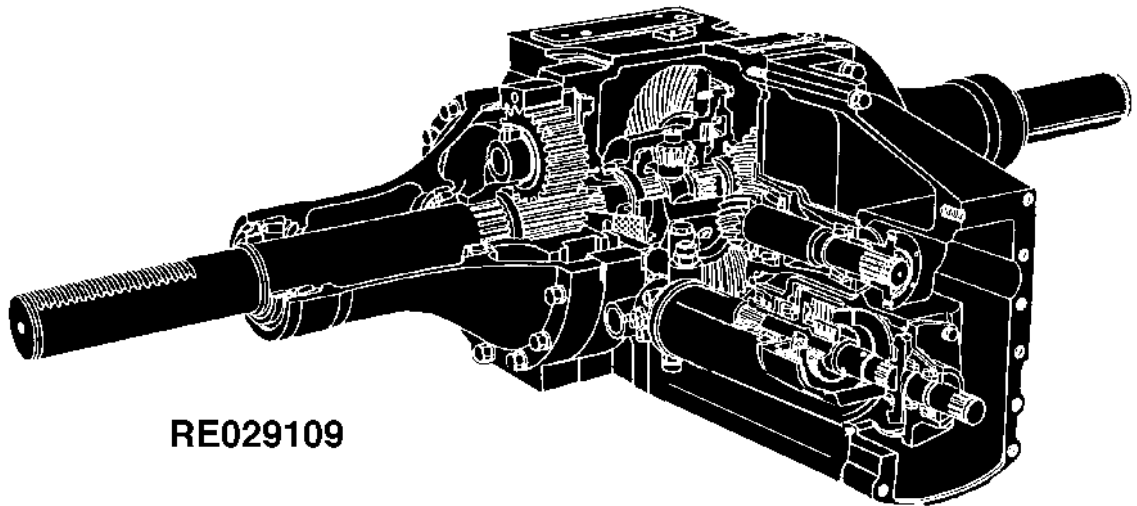
RXP022561

PRIMARY INDEX
INDEX PRINCIPAL
HAUPTINDEX
INDICE PRINCIPALE
INDICE DE MATERIAS
HUVUDFORTECKNING

RE029109 -UN-10MAY99

20 -	1D10
30 -	2D6
40 -	3D12
41 -	3I9
42 -	4D3
43 -	4E4
51 -	4E19
53 -	5D3
54 -	5E13
60 -	6D4
70 -	7D5
71 -	8D2
80 -	8E4
90 -	8H3
91 -	9D3
92 -	9F15

53



1A10

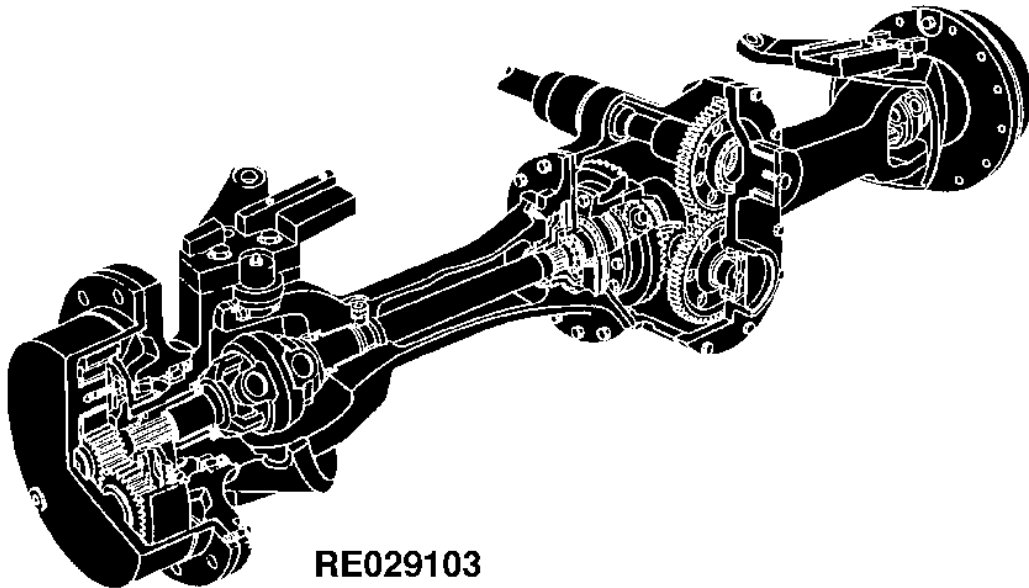
8100, 8200, 8300, 8400 TRACTORS

PRIMARY INDEX
INDEX PRINCIPAL
HAUPTINDEX
INDICE PRINCIPALE
INDICE DE MATERIAS
HUVUDFORTECKNING

RE029103 -UN-10MAY99

20 -	1D10
30 -	2D6
40 -	3D12
41 -	3I9
42 -	4D3
43 -	4E4
51 -	4E19
53 -	5D3
54 -	5E13
60 -	6D4
70 -	7D5
71 -	8D2
80 -	8E4
90 -	8H3
91 -	9D3
92 -	9F15

54

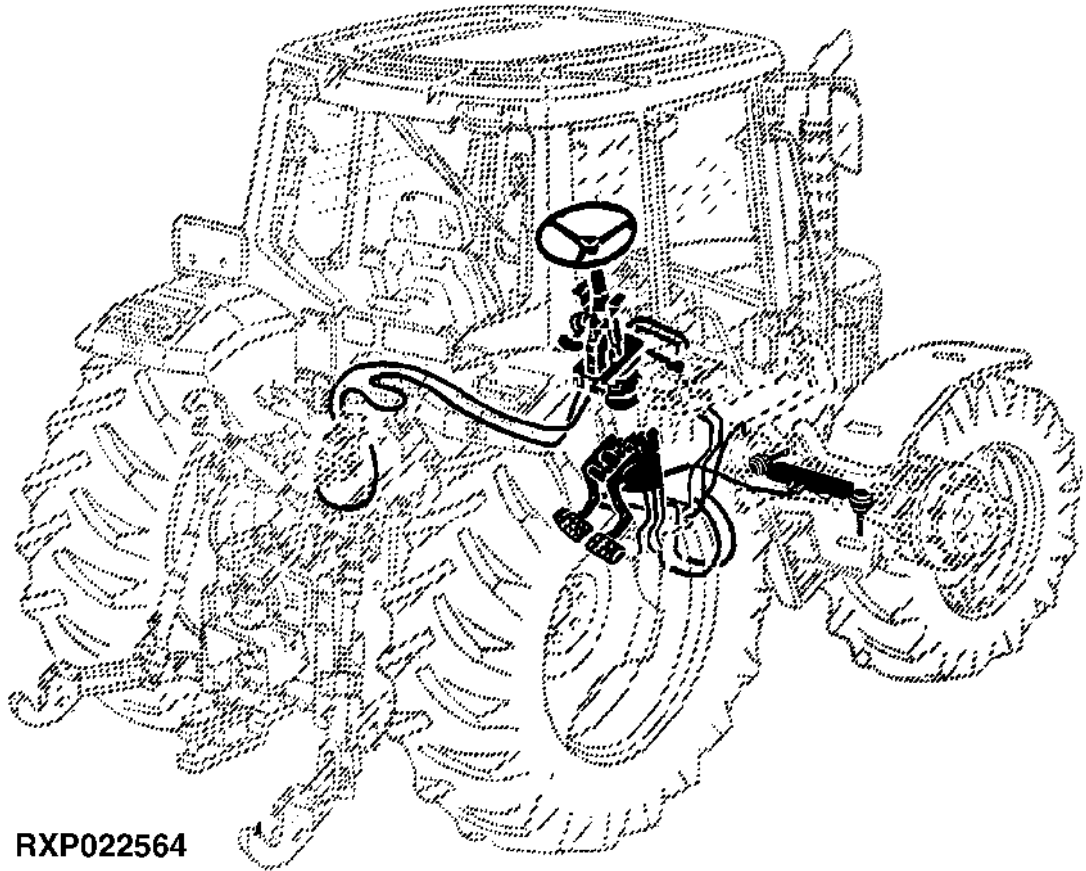


PRIMARY INDEX
INDEX PRINCIPAL
HAUPTINDEX
INDICE PRINCIPALE
INDICE DE MATERIAS
HUVUDFORTECKNING

RXP022564 -UN-11MAY99

20 -	1D10
30 -	2D6
40 -	3D12
41 -	3I9
42 -	4D3
43 -	4E4
51 -	4E19
53 -	5D3
54 -	5E13
60 -	6D4
70 -	7D5
71 -	8D2
80 -	8E4
90 -	8H3
91 -	9D3
92 -	9F15

60



RXP022564

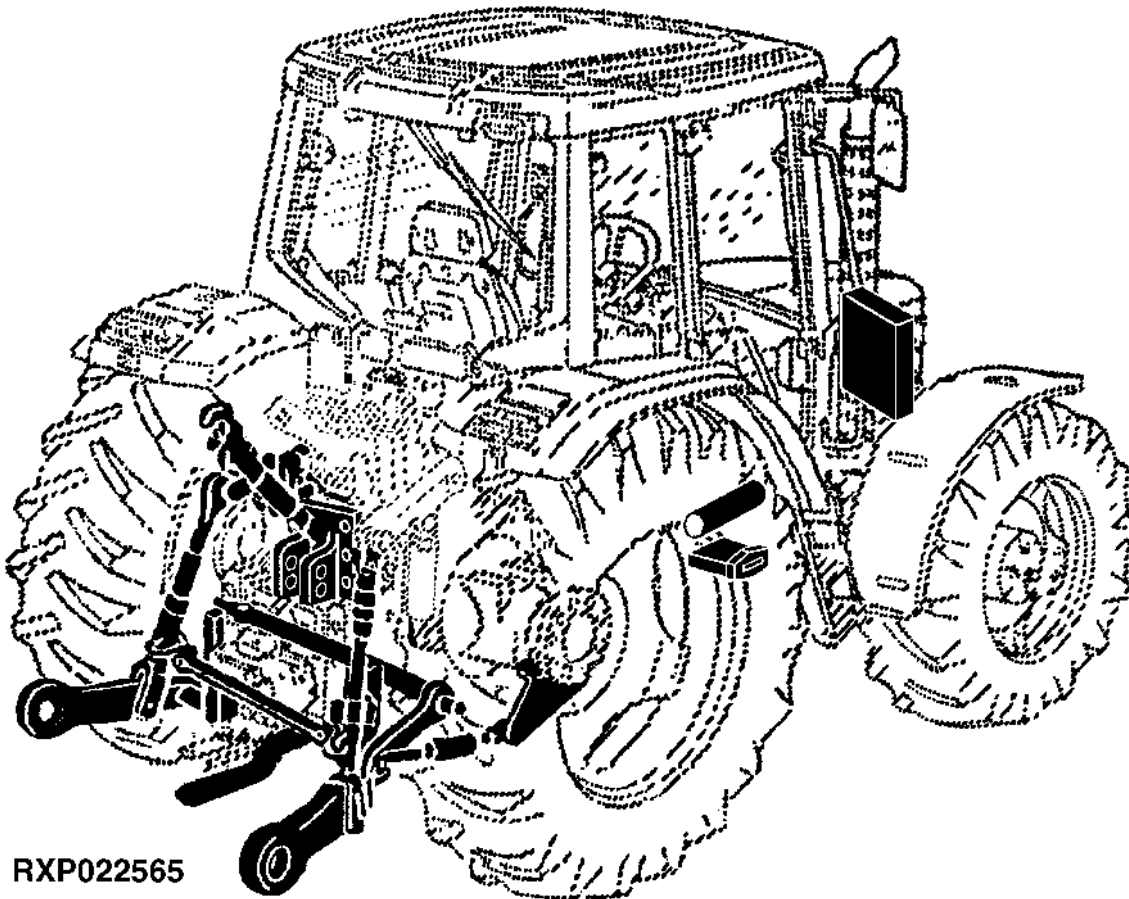
1A12

8100, 8200, 8300, 8400 TRACTORS

PRIMARY INDEX
INDEX PRINCIPAL
HAUPTINDEX
INDICE PRINCIPALE
INDICE DE MATERIAS
HUVUDFORTECKNING
RXP022565 -UN-11MAY99

20 -	1D10
30 -	2D6
40 -	3D12
41 -	3I9
42 -	4D3
43 -	4E4
51 -	4E19
53 -	5D3
54 -	5E13
60 -	6D4
70 -	7D5
71 -	8D2
80 -	8E4
90 -	8H3
91 -	9D3
92 -	9F15

70



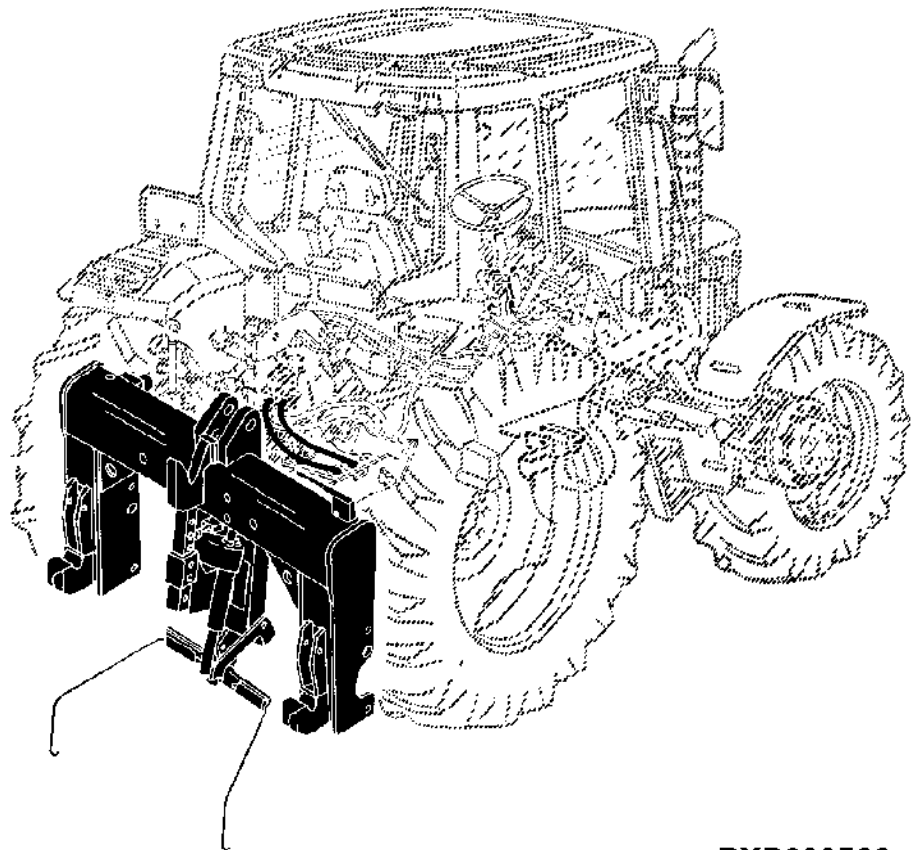
RXP022565

PRIMARY INDEX
INDEX PRINCIPAL
HAUPTINDEX
INDICE PRINCIPALE
INDICE DE MATERIAS
HUVUDFORTECKNING

RXP022566 -UN-11MAY99

20 -	1D10
30 -	2D6
40 -	3D12
41 -	3I9
42 -	4D3
43 -	4E4
51 -	4E19
53 -	5D3
54 -	5E13
60 -	6D4
70 -	7D5
71 -	8D2
80 -	8E4
90 -	8H3
91 -	9D3
92 -	9F15

71



RXP022566

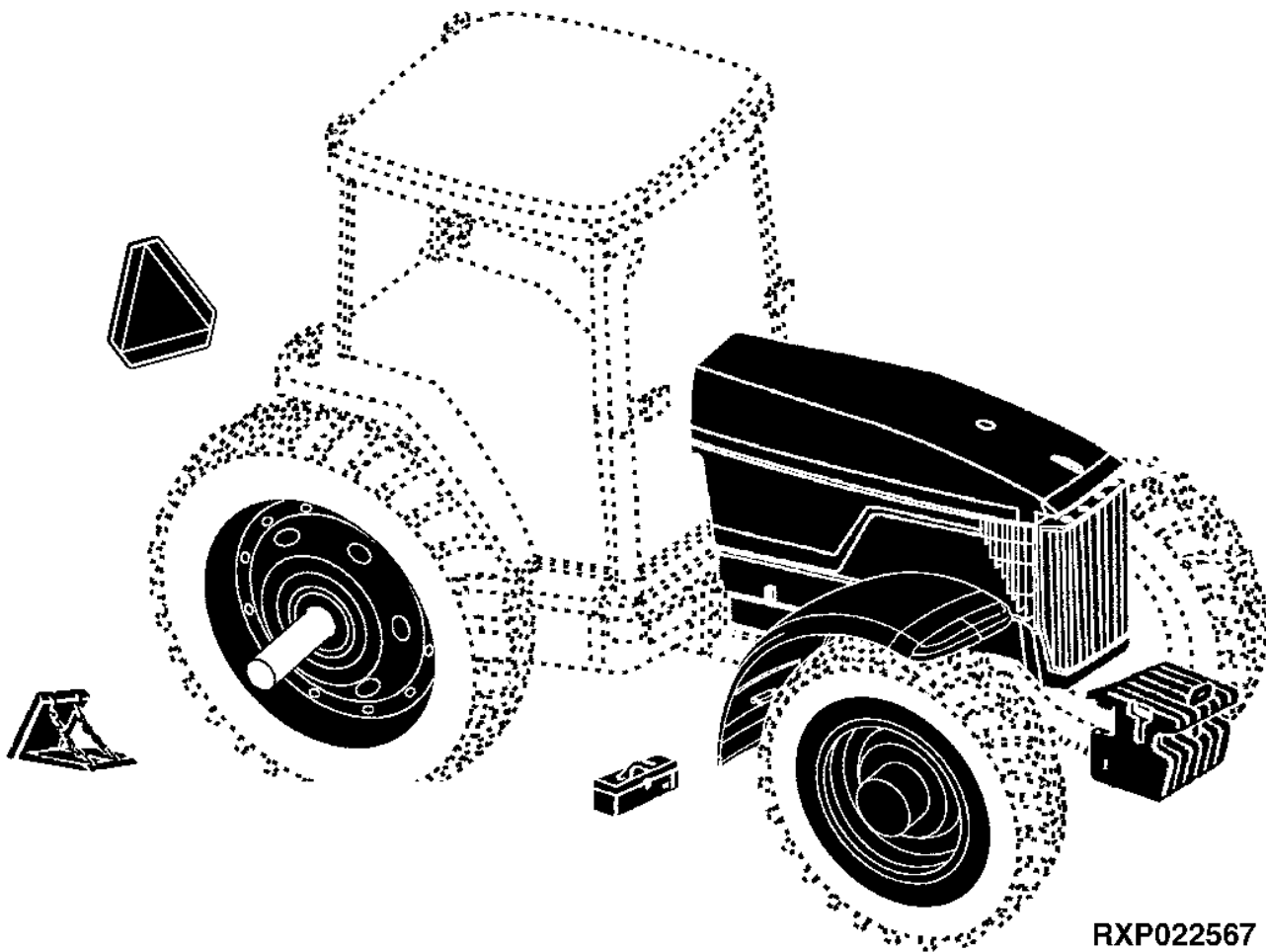
1A14

8100, 8200, 8300, 8400 TRACTORS

PRIMARY INDEX
INDEX PRINCIPAL
HAUPTINDEX
INDICE PRINCIPALE
INDICE DE MATERIAS
HUVUDFORTECKNING
RXP022567 -UN-11MAY99

20 -	1D10
30 -	2D6
40 -	3D12
41 -	3I9
42 -	4D3
43 -	4E4
51 -	4E19
53 -	5D3
54 -	5E13
60 -	6D4
70 -	7D5
71 -	8D2
80 -	8E4
90 -	8H3
91 -	9D3
92 -	9F15

80



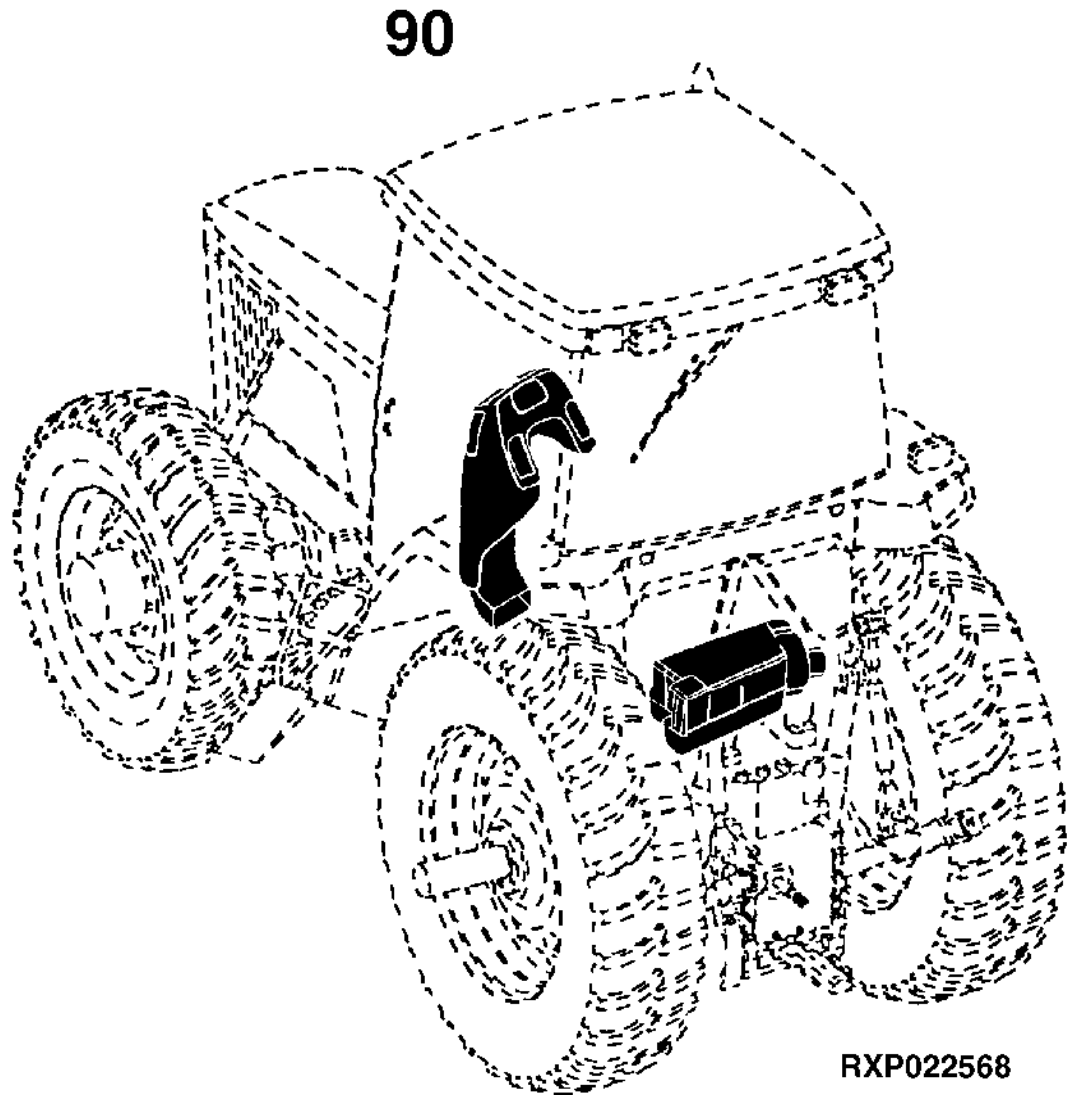
1A15

8100, 8200, 8300, 8400 TRACTORS

PRIMARY INDEX
INDEX PRINCIPAL
HAUPTINDEX
INDICE PRINCIPALE
INDICE DE MATERIAS
HUYUDFORTECKNING

RXP022568 -UN-11MAY99

20 -	1D10
30 -	2D6
40 -	3D12
41 -	3I9
42 -	4D3
43 -	4E4
51 -	4E19
53 -	5D3
54 -	5E13
60 -	6D4
70 -	7D5
71 -	8D2
80 -	8E4
90 -	8H3
91 -	9D3
92 -	9F15



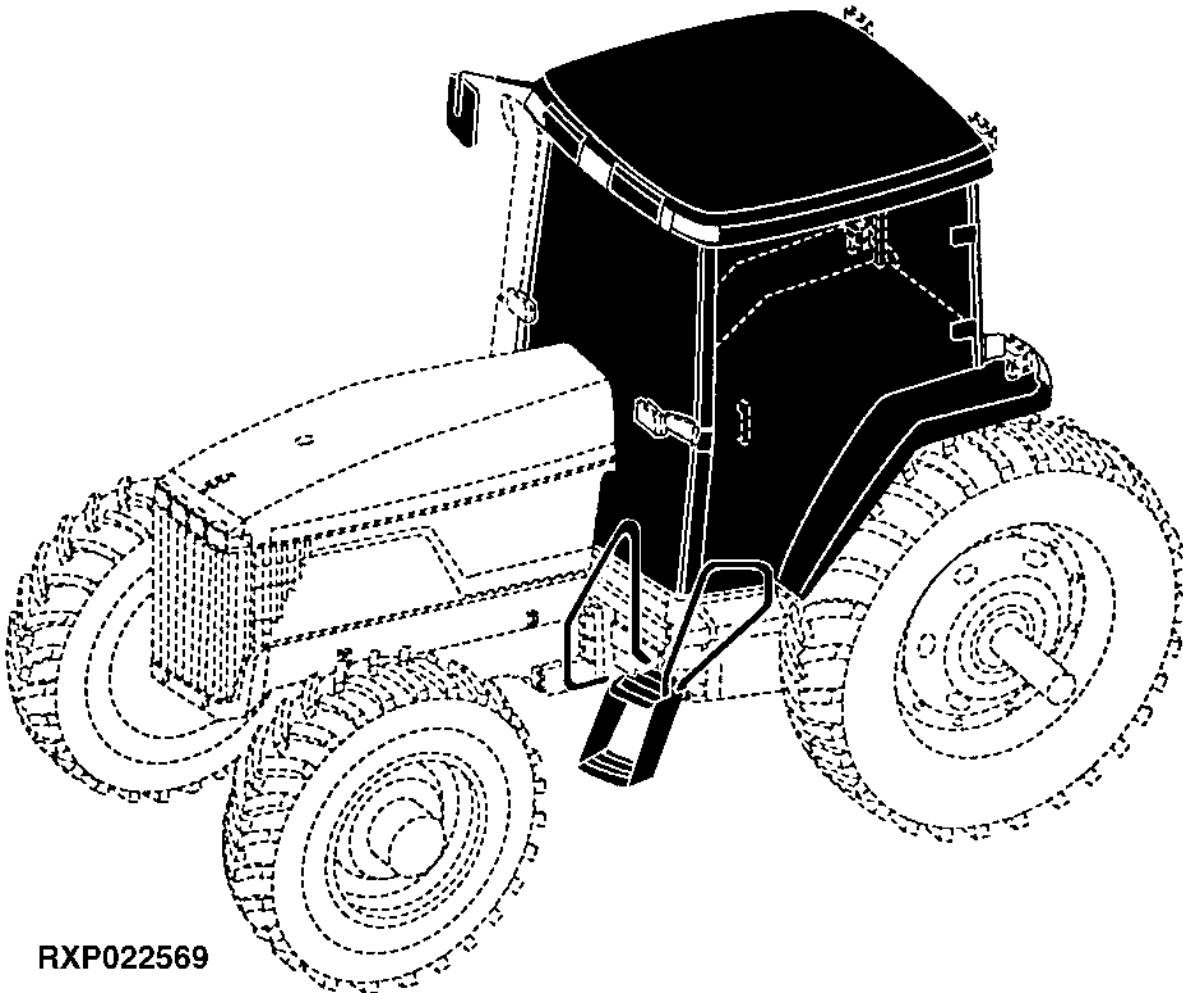
1A16

8100, 8200, 8300, 8400 TRACTORS

PRIMARY INDEX
INDEX PRINCIPAL
HAUPTINDEX
INDICE PRINCIPALE
INDICE DE MATERIAS
HUYUDFORTECKNING
RXP022569 -UN-11MAY99

20 -	1D10
30 -	2D6
40 -	3D12
41 -	3I9
42 -	4D3
43 -	4E4
51 -	4E19
53 -	5D3
54 -	5E13
60 -	6D4
70 -	7D5
71 -	8D2
80 -	8E4
90 -	8H3
91 -	9D3
92 -	9F15

91



1A17

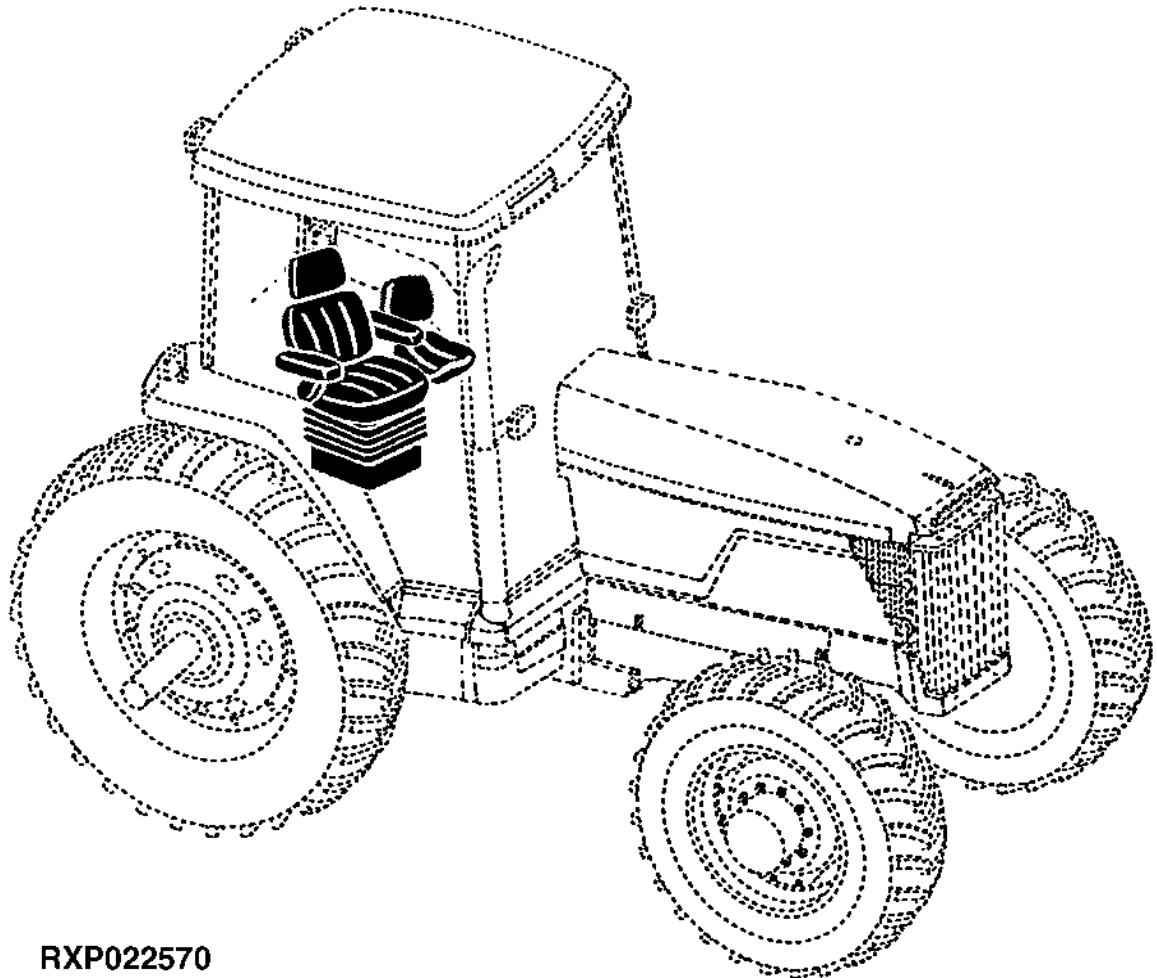
8100, 8200, 8300, 8400 TRACTORS

PRIMARY INDEX
INDEX PRINCIPAL
HAUPTINDEX
INDICE PRINCIPALE
INDICE DE MATERIAS
HUYUDFORTECKNING

RXP022570 -UN-11MAY99

20 -	1D10
30 -	2D6
40 -	3D12
41 -	3I9
42 -	4D3
43 -	4E4
51 -	4E19
53 -	5D3
54 -	5E13
60 -	6D4
70 -	7D5
71 -	8D2
80 -	8E4
90 -	8H3
91 -	9D3
92 -	9F15

92



RXP022570

1A18

8100, 8200, 8300, 8400 TRACTORS

RXP010147 -UN-01JAN94



*JOHN DEERE 8100, 8200, 8300 OR 8400 TRACTOR
(MANUFACTURED 1994-)*

(SPECIFICATIONS AND DESIGN SUBJECT TO CHANGE WITHOUT NOTICE)

COPYRIGHT (C) 1999. DEERE & COMPANY, MOLINE, ILLINOIS. ALL RIGHTS RESERVED.

CODES USED IN "REMARKS" COLUMN

RXP022211 -UN-01JUL97

	ENGLISH	FRANCAIS	DEUTSCH
ALSO ORDER	ALSO ORDER	COMMANDER AUSSI	EBENSO BESTELLEN
AMP	AMPERE	AMPERE	AMPERE
AND	AND	ET	UND
APPL	THIS APPLICATION ONLY	UNIQUEMENT POUR CETTE UTILISATION	NUR FUR DIESE ANWENDUNG
AR	AS REQUIRED	SELON LE BESOIN	NACH BEDARF
ASSY	COMPLETE ASSEMBLY	ENSEMBLE COMPLET	KOMPLETTE BAUGRUPPE
COMPLETE	COMPLETE	COMPLET	VOLLSTANDIG
FRONT	FRONT	AVANT	VORN
HP	HORSEPOWER	PUISSANCE EN CV	PFERDESTARKE
ID	INSIDE DIAMETER	DIAMETRE INTERIEUR	INNENDURCHMESSER
INCL KEYS	INCLUDES KEYS	COMPREND LES REPERES...	EINSCHLIEBLICH TEILE
KIT	KIT	JEU	SATZ
LH	LEFT-HAND	GAUCHE	LINKS
LOW	LOWER	INFERIEUR	UNTEN
MARKED	MARKED	MARQUE	MARKIERT
MF	MAKE FROM	REALISER AVEC	HERSTELLEN VON
MFWD	MECHANICAL FRONT WHEEL DRIVE	TRACTION AVANT MECANIQUE	MECHANISCHER FRONTRADANTRIEB
NA	NOT USED THIS APPLICATION	NE SERT PAS POUR CETTE APPLICATION	IN DIESER ANWENDUNG NICHT BENUTZT
NLA	NO LONGER AVAILABLE	EPUISE	NICHT MEHR LIEFERBAR
NSEP	NOT SUPPLIED SEPARATELY	NON LIVRE SEPAREMENT	EINZELN NICHT LIEFERBAR
OD	OUTSIDE DIAMETER	DIAMETRE EXTERIEUR	AUBENDURCHMESSER
OR	OR	OU	ODER
ORD	ORDER	COMMANDER	BESTELLE
OS	OVERSIZE	SURDIMENSIONNE	UEBERGROSSE
PKG	PACKAGE	PAR PAQUET DE	VERPACKT ZU
REAR	REAR	ARRIERE	HINTEN
RH	RIGHT-HAND	DROIT	RECHTS
STD	STANDARD	STANDARD	STANDARD
SUB	REPLACED BY	REPLACE PAR	ERSETZT DURCH
SUB FOR	SUBSTITUTES FOR	REPLACE	ERSATZ FUR
TK	THICKNESS	EPAISSEUR	STARKE
UP	UPPER	SUPERIEUR	OBEN
US	UNDERSIZE	SOUS-DIMENSIONNE	UNTERGROSSE
USE WITH	USE WITH	A UTILISER AVEC	BENUTZEN MIT
W /	WITH	AVEC	MIT
W/O	WITHOUT	SANS	OHNE
Z	GEAR AND SPROCKET TEETH NUMBER	NOMBRE DE DENTS DES PIGNONS	ZAHNEZAHL FUR KETTEN- UND ZAHNRAD

RXP022211

CODES USED IN "REMARKS" COLUMN

RXP9419 -UN-26AUG94

	ITALIANO	ESPANOL	SVENSKA
ALSO ORDER	ORDINARE ANCHE	PEDIR TAMBIEN	BESTALL AVEN
AMP	AMPERE	AMPERIO	AMPERE
AND	E	Y	OCH
APPL	SOLO PER QUESTO IMPIEGO	TAN SOLO PARA ESTE PROPOSITO	ENDAST FOR DENNA ANVANDNING
AR	SECONDO NECESSITA	SEGUN NECESIDAD	VID BEHOV
ASSY	GRUPPO COMPLETO	CONJUNTO COMPLETO	KOMPLETT SATS
COMPLETE	COMPLETO	COMPLETO	FULLSTANDIG
FRONT	ANTERIORE	FRENTE	FRAM
HP	POTENZA IN CAVALLI	POTENCIA	HASTKRAFT
ID	DIAMETRO INTERNO	DIAMETRO INTERIOR	INRE DIAMETER
INCL KEYS	CHIAVETTE INCLUSE	INCLUYE LAS POSICIONES	INKLUSIVE NYCKLAR
KIT	CORREDO	JUEGO	SATS
LH	SINISTRA	IZQUIERDA	VANSTER SIDA
LOW	INFERIORE	MAS BAJO	NEDRE
MARKED	MARCATO	MARCADO	MARKT
MF	FABBRICARE DI	HACER DE	TILLVERKA AV
MFWD	TRAZIONE ANTERIORE MECCANICA	TRACCION DELANTERA MECANICA	MEKANISK FRAMHJULSDRIFT
NA	NON USATO IN QUESTA APPLICAZIONE	NO SE USA EN ESTA APLICACION	EJ ANVAND I DETTA SAMMANHANG
NLA	NON PIU' DISPONIBILE	DESCONTINUADO	EJ LANGRE TILLGANGLIG
NSEP	NON LORNITO SEPARATAMENTE	NO SE SUMINISTRA POR SEPARADO	KAN EJ ERHALLAS SEPARAT
OD	DIAMETRO ESTERNO	DIAMETRO EXTERIOR	YTTRE DIAMETER
OR	OPPURE	O	ELLER
ORD	ORDINARE	PIDASE	ORDER, REKVISITION
OS	EXTRA GRANDE	SOBRETAMANO	OEVERDIMENSIONERAD
PKG	IN CONFEZIONE DA	POR PAQUETE DE	I SATS ELLER PAKET
REAR	POSTERIORE	TRASERO	BAK, BAKRE
RH	DESTRA	DERECHA	HOGER
STD	STANDARD	NORMAL	STANDARD
SUB	SOSTITUITO PER	SUSTITUIDO POR	ERSATT MED
SUB FOR	SOSTITUISCE	SUSTITUCION PARA	ERSATTER
TK	SPESSORE	ESPESOR	TJOCKLEK
UP	SUPERIORE	SUPERIOR	OEVRE
US	EXTRA PICCOLO	SUBTAMANO	UNDERDIMENSIONERAD
USE WITH	USARE CON	USAR CON	ANVAND MED
W /	CON	CON	MED, INKLUSIVE
W/O	SENZA	SIN	UTAN, EXKLUSIVE
Z	NO. DENTI CORONA O PIGNONE	NUMERO DE DIENTES DE LOS ENGRANAJES	ANTAL TANDER PA DREV OCH KUGGHJUL

RXP9419

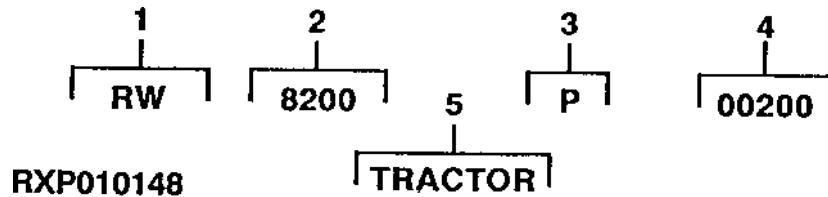
SERIAL NUMBERS

EACH 8000 SERIES TRACTOR HAS THE FOLLOWING SERIAL NUMBER PLATES: BASIC TRACTOR, ENGINE, TRANSMISSION, COMFORTVIEW CAB AND MECHANICAL FRONT WHEEL DRIVE.

BASIC TRACTOR SERIAL NUMBER

(PRODUCT IDENTIFICATION NUMBER)

RXP010148 -UN-01JAN94



1. DESIGNATES TRACTOR MANUFACTURER
2. DESIGNATES TRACTOR MODEL
3. DESIGNATES TRANSMISSION TYPE
4. DESIGNATES TRACTOR SERIAL NUMBER
5. DESIGNATES UNIT TYPE

RW- JOHN DEERE WATERLOO WORKS
8200
P - POWER SHIFT
TRACTOR

RXP010149 -UN-01JAN94



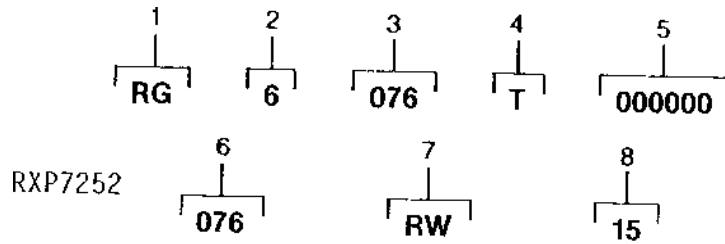
THE BASIC TRACTOR SERIAL NUMBER PLATE IS LOCATED AT THE REAR OF THE HITCH FRAME.

1A22

8100, 8200, 8300, 8400 TRACTORS

ENGINE SERIAL NUMBER

RXP7252 -UN-01JAN94



1. DESIGNATES ENGINE MANUFACTURER
2. DESIGNATES NUMBER OF CYLINDERS
3. DESIGNATES CUBIC LITER DISPLACEMENT
4. DESIGNATES TYPE OF AIR INTAKE SYSTEM
5. DESIGNATES ENGINE SERIAL NUMBER
6. DESIGNATES MODEL
7. DESIGNATES FACTORY USER
8. DESIGNATES APPLICATION

RG - JOHN DEERE ENGINE WORKS

6

076 (7.6 LITERS)

H - AIR TO AIR

076

RW - JOHN DEERE WATERLOO WORKS

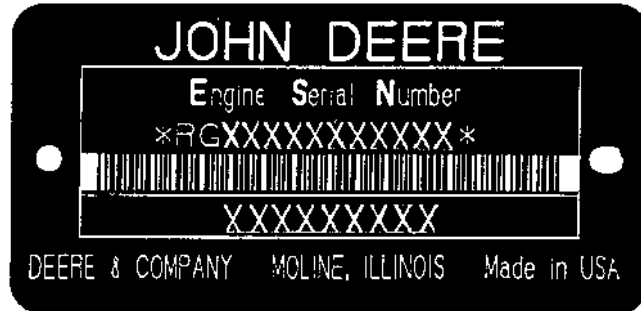
RXP010150 -UN-01JAN94



THE ENGINE SERIAL NUMBER PLATE IS LOCATED ON THE LEFT-HAND SIDE OF THE ENGINE BEHIND THE STARTING MOTOR.

TWO-LINE BAR-CODED ENGINE SERIAL NUMBER PLATE (LOCATED ON STARTER SIDE OF ENGINE)

RGP3513 -UN-01JAN94



RGP3513

FIRST LINE

- | | |
|--|--------------------------------------|
| 1. DESIGNATES ENGINE MANUFACTURER. | RG - WATERLOO ENGINE WORKS |
| 2. DESIGNATES NUMBER OF CYLINDERS. | 6 |
| 3. DESIGNATES LITER DISPLACEMENT. | 076 (7.6 LITERS)
081 (8.1 LITERS) |
| 4. DESIGNATES TYPE OF AIR INTAKE SYSTEM. | H - AIR TO AIR |
| 5. DESIGNATES TRACTOR WORKS VEHICLE. | RW - TRACTOR WORKS |
| 6. DESIGNATES ENGINE SERIAL NUMBER. | XXXXXX |

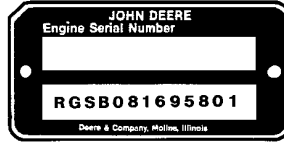
SECOND LINE

THE FIRST FIVE DIGITS ARE THE SAME AS TWO THRU FOUR FROM ABOVE. THE SIXTH DIGIT THRU THE NINTH DIGIT DESIGNATE THE FACTORY USER AND APPLICATION.

6076HRW33	8100 (TSN	-009999)
6081HRW06	8100 (TSN 010000-)
6076HRW34	8200 (TSN	-009999)
6081HRW07	8200 (TSN 010000-)
6076HRW35	8300 (TSN	-009999)
6081HRW08	8300 (TSN 010000-)
6081HRW01	8400	

SHORT BLOCK SERIAL NUMBER PLATE (-RGSB076882500)

RGP4573 -UN-25SEP95



A SHORT BLOCK SERIAL NUMBER PLATE PLUS 2-37H44 DRIVE SCREWS ARE USED TO ATTACH TO REPLACEMENT SHORT BLOCK ASSEMBLIES. THIS NUMBER WILL BE REFERRED TO WHEN NEW PARTS AFFECT THE SHORT BLOCK ASSEMBLY. THE PREVIOUS ENGINE SERIAL NUMBER SHOULD BE STAMPED INTO THE BLANK SPACE PROVIDED, AS A REFERENCE FOR YOUR DEALER.

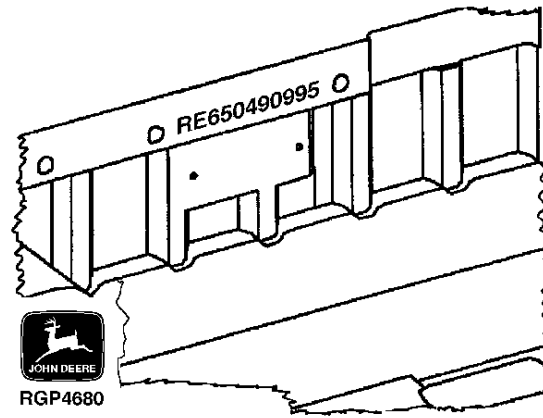
- | | |
|---------------------------------------|----------------------------|
| 1. DESIGNATES ENGINE MANUFACTURER | RG - WATERLOO ENGINE WORKS |
| 2. DESIGNATES REPLACEMENT SHORT BLOCK | SB |
| 3. DESIGNATES LITERS | 076 |
| | 081 |
| 4. DESIGNATES THE PRODUCTION DATE | 8825 |

1A25

8100, 8200, 8300, 8400 TRACTORS

SHORT BLOCK SERIAL NUMBER IDENTIFICATION

(RE650490995-)
RGP4680 -UN-24MAY96



SERIAL NUMBER STAMPED INTO CASTING OF BLOCK NEAR PREVIOUS SERIAL NUMBER PLATE.

EXAMPLE: RE650490995

- | | |
|-----------------------------------|---------|
| 1. DESIGNATES SERVICE PART NUMBER | RE65049 |
| 2. DESIGNATES MONTH ASSEMBLED | 09 |
| 3. DESIGNATES YEAR ASSEMBLED | 95 |

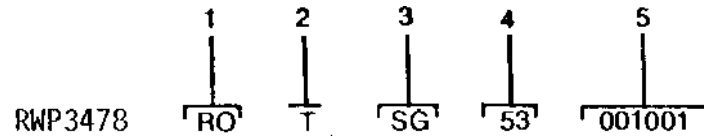
SERIAL NUMBER CODES

THE FOLLOWING CODES ARE USED TO DESIGNATE SERIAL NUMBER TYPES IN GROUP HEADINGS AND FOOTNOTES BECAUSE OF LIMITED SPACE. THEY WILL BE USED ONLY WHEN THE TYPE IS DIFFERENT THAN THE SERIAL COLUMN HEADING SHOWN ON THE PAGE.

RG--ROLL-GARD
SGB--SOUND-GARD BODY
CSN--CAB SERIAL NUMBER
ESN--ENGINE SERIAL NUMBER
ASN--AXLE SERIAL NUMBER
PSN--HYDRAULIC PUMP SERIAL NUMBER
TSN--TRACTOR SERIAL NUMBER
PQT--POWRQUAD TRANSMISSION SERIAL NUMBER
PST--POWER SHIFT TRANSMISSION SERIAL NUMBER
QRT--QUADRANGE TRANSMISSION SERIAL NUMBER
SPT--SYNCROPLUS TRANSMISSION SERIAL NUMBER
SRT--SYNCRO-RANGE TRANSMISSION SERIAL NUMBER
DSN--DIFFERENTIAL SERIAL NUMBER

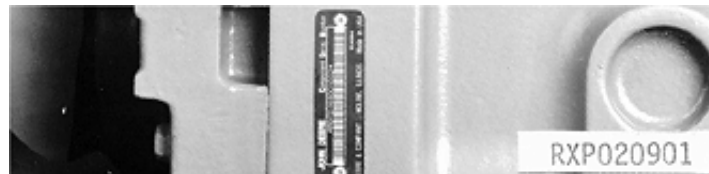
TRANSMISSION SERIAL NUMBER

RWP3478 -UN-01JAN94



1. DESIGNATES TRANSMISSION MANUFACTURER RO- JOHN DEERE WATERLOO WORKS
2. DESIGNATES TYPE T - TRANSMISSION
3. DESIGNATES TRANSMISSION TYPE PF- POWER SHIFT
4. DESIGNATES INPUT TORQUE (ROUNDED TO NEAREST 10 NEWTON METERS) 01-99 - 10-990 NM (7-730 LB-FT)
5. DESIGNATES TRANSMISSION SERIAL NUMBER

RXP020901 -UN-01JAN94



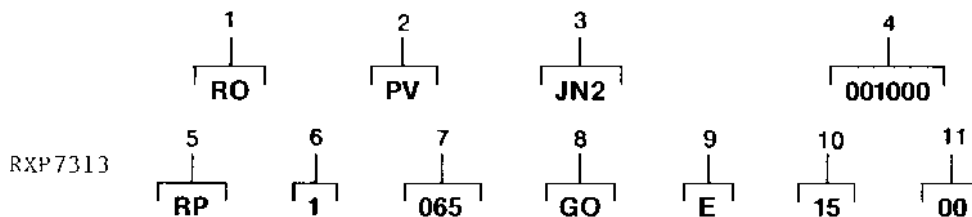
THE TRANSMISSION SERIAL NUMBER PLATE IS LOCATED ON THE RIGHT-HAND SIDE OF THE TRANSMISSION.

1B3

8100, 8200, 8300, 8400 TRACTORS

HYDRAULIC PUMP SERIAL NUMBER

RXP7313 -UN-01JAN94



1. DESIGNATES MANUFACTURING FACTORY
2. DESIGNATES COMPONENT
3. DESIGNATES MODEL NUMBER
4. DESIGNATES COMPONENT NUMERIC NUMBER
5. DESIGNATES TYPE COMPONENT
6. DESIGNATES FAMILY
7. DESIGNATES SIZE
8. DESIGNATES PORT ARRANGEMENT
9. DESIGNATES SHAFT ROTATION

10. DESIGNATES STROKE CONTROL VALVE TYPE

11. NO SIGNIFICANCE

- RO - JOHN DEERE WATERLOO WORKS
PV - PUMP VARIABLE
JN2- 65 CM3 (4 IN3)
- RP - RADIAL PISTON PUMP
1 - FRAME SIZE
65 - 65 CM3
GO - PRIMARY HOUSING
E - EITHER
R - RIGHT
L - LEFT
15 - STROKE CONTROL VALVE CODE
00 - NO SIGNIFICANCE

RXP020902 -UN-01JAN94



RXP020902

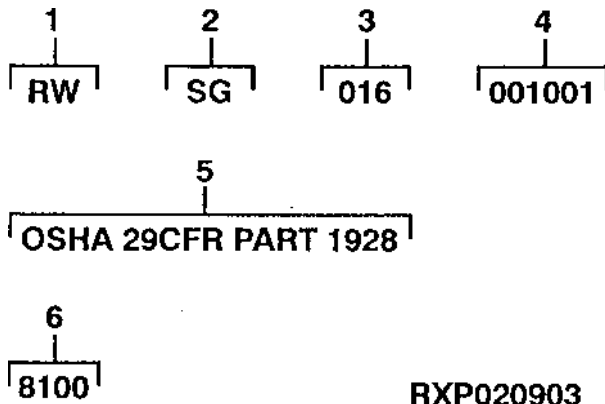
THE HYDRAULIC PUMP SERIAL NUMBER PLATE IS LOCATED ON THE TOP RIGHT-HAND SIDE OF THE PUMP.

1B4

8100, 8200, 8300, 8400 TRACTORS

COMFORTVIEW CAB SERIAL NUMBER

RXP020903 -UN-01JAN94



1. DESIGNATES CAB MANUFACTURER
2. DESIGNATES TYPE
3. DESIGNATES VERSION
4. DESIGNATES SERIAL NUMBER
5. DESIGNATES CERTIFICATION
6. DESIGNATES MODEL

RW - JOHN DEERE WATERLOO WORKS
SG - COMFORTVIEW CAB
016- SIXTEENTH
CERTIFICATION DATA
8100, 8200, 8300 OR 8400

RXP020904 -UN-01JAN94



THE COMFORTVIEW CAB SERIAL NUMBER PLATE IS LOCATED ON THE RIGHT-HAND SIDE WINDOW AT THE FENDER LEVEL TOWARD THE REAR.

1B5

8100, 8200, 8300, 8400 TRACTORS

JOHN DEERE AXLE SERIAL NUMBER

RXP6447 -UN-01JAN94

RXP6447

1 2 3 4
RO AH 335 000000

5 6 7 8 9 10 11 12 13 14 15 16 17 18 19
255 O R 1 1 1 1 1 1 1 1 1 1 1 1 1 1

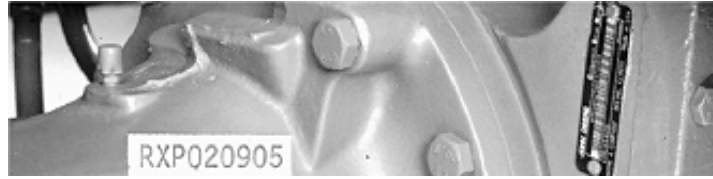
- | | |
|---|--|
| 1. DESIGNATES MANUFACTURING UNIT | RO - JOHN DEERE WATERLOO WORKS |
| 2. DESIGNATES COMPONENT IDENTIFICATION | AH - OUTBOARD AXLES |
| 3. DESIGNATES CONFIGURATION IDENTITY | 335 - WHEEL BOLT CIRCLE DIAMETER
425 - WHEEL BOLT CIRCLE DIAMETER |
| 4. DESIGNATES SERIAL NUMBER | |
| 5. DESIGNATES MASTER MACHINE CODE | 255
256 |
| 6. DESIGNATES FAMILY CODE | 0 |
| 7. DESIGNATES MANUFACTURING UNIT | R - JOHN DEERE WATERLOO WORKS |
| 8. DESIGNATES PRIMARY INPUT
ROTATION AND AXLE TRAVEL | 2 - CW AWAY FROM INPUT
4 - CCW AWAY FROM INPUT |
| 9. DESIGNATES SPIRAL BEVEL REDUCTION | 1 - 1.993:1
2 - 2.588:1
3 - 3.071:1
5 - 3.727:1 |
| 10. DESIGNATES INPUT YOKE | 2 - DANA 1480 |
| 11. DESIGNATES FLANGE TO FLANGE DIMENSION | 1 - 1831MM |
| 12. DESIGNATES STEERING SYSTEM | 2 - STEERABLE STEERING ARMS ONLY-
INPUT SIDE-13 DEGREE CASTER |
| 13. DESIGNATES MOUNTING TYPE | 4 - OSCILLATING-TOP PIVOT-CENTER DRIVE |
| 14. DESIGNATES BRAKE TYPE | 1 - NO BRAKES |
| 15. DESIGNATES DIFFERENTIAL TYPE | 3 - LIMITED SLIP DIFFERENTIAL |
| 16. DESIGNATES WHEEL MOUNT CONFIGURATION | 1 - TYPE 1 |
| 17. DESIGNATES FINAL DRIVE REDUCTION | 1 - 5.2:1 |
| 18. DESIGNATES PAINT | 2 - JOHN DEERE GREEN |
| 19. DESIGNATES SHIPPING CONTAINER | 1 - PALLET |

1B6

8100, 8200, 8300, 8400 TRACTORS

JOHN DEERE MECHANICAL FRONT WHEEL DRIVE SERIAL NUMBER

RXP020905 -UN-01JAN94



THE SERIAL NUMBER PLATE IS LOCATED ON THE REAR RIGHT-HAND SIDE OF THE AXLE HOUSING.

REAR AXLE SERIAL NUMBER

RXP020906 -UN-01JAN94

RXP020906



THE DIFFERENTIAL HOUSING SERIAL NUMBER IS LOCATED ON THE TOP RIGHT-HAND SIDE.

SERIAL NUMBER LISTING INFORMATION

SERIAL NUMBER INFORMATION IS LISTED TO SHOW ON WHICH MACHINES EACH PART CAN BE USED; FOR EXAMPLE:

- THE PART CAN BE USED ON ALL MACHINES.
- 000000- THE PART CAN BE USED ON ALL MACHINES BEGINNING WITH THE SERIAL NUMBER LISTED.
- 000000 THE PART CAN BE USED ON ALL MACHINES UP TO AND INCLUDING THE SERIAL NUMBER LISTED.
- 000000-000000 THE PART CAN BE USED ON ALL MACHINES BETWEEN AND INCLUDING THE SERIAL NUMBERS LISTED.

WHEN XXXXXX'S ARE LISTED IN PLACE OF A SERIAL NUMBER, A SERIAL NUMBER CHANGE WAS MADE BUT THE EXACT SERIAL NUMBER WAS NOT AVAILABLE WHEN THE CATALOG WAS PRODUCED.

THROUGHOUT THIS CATALOG YOU WILL FIND PAGES THAT ARE DESIGNATED AS EUROPEAN VERSION OR NORTH AMERICAN VERSION. THIS IS DONE TO HELP THE PARTS PERSON IN A FOREIGN COUNTRY DETERMINE CORRECT SERVICE PARTS BY RECOGNIZING THAT THERE MAY BE MORE THAN ONE VERSION.

EUROPEAN VERSION IS ALSO SHOWN AS A FOOTNOTE ON SOME PAGES. PARTS WITHOUT THIS FOOTNOTE ARE FOR NORTH AMERICAN VERSION. DECALS ARE IN ENGLISH UNLESS OTHERWISE SPECIFIED.

QUANTITY COLUMN OR REMARKS COLUMN

GENERALLY THE QUANTITY SHOWN IS FOR THE ENTIRE TRACTOR AT ANY GIVEN LOCATION. THERE ARE EXCEPTIONS AS IN WHEEL HARDWARE WHERE ONLY ENOUGH IS SHOWN FOR ONE WHEEL.

THE FOLLOWING ABBREVIATIONS ARE USED IN THE REMARKS COLUMN:

NLR - NO LONGER REQUIRED

NA - NOT APPLICABLE

NLA - NO LONGER AVAILABLE

FI - FIELD INSTALLED

FI IS AN OPTION THAT MUST BE ORDERED DIRECT FROM THE PRODUCING FACTORY.

DIRECTION ARROW

ARROWS ARE USED WITH ILLUSTRATIONS TO INDICATE THE FRONT OF THE UNIT. "RIGHT-HAND" AND "LEFT-HAND" SIDES ARE DETERMINED BY FACING IN THE DIRECTION OF MACHINE FORWARD TRAVEL.

BOX-ENCLOSED ILLUSTRATIONS

A KEY NUMBER, SHOWN IN THE PARTS LIST, IS ASSIGNED TO A BOX ENCLOSING ALL PARTS SOLD AS A SERVICE ASSEMBLY.

BOLT AND CAP SCREW STRENGTH IDENTIFICATION

U.S. CUSTOMARY DIMENSIONED PRODUCT: BOLTS AND CAP SCREWS REQUIRED TO HAVE HIGH-STRENGTH QUALITIES EQUIVALENT TO SAE GRADE 8 ARE IDENTIFIED THROUGHOUT THIS CATALOG BY THE DESCRIPTION HS SAE 8. ALL STANDARD BOLTS AND CAP SCREWS ARE SAE GRADE 5.

METRIC DIMENSIONED PRODUCT: BOLTS AND CAP SCREWS REQUIRED TO HAVE HIGH-STRENGTH QUALITIES EQUIVALENT TO PROPERTY CLASS 10.9 ARE IDENTIFIED THROUGHOUT THIS CATALOG BY THE DESCRIPTION HS 10.9. ALL STANDARD BOLTS AND CAP SCREWS ARE PROPERTY CLASS 8.8.

JDM REMANUFACTURED COMPONENTS

THE SERVICE PARTS LISTED IN THIS CATALOG ARE INTENDED FOR THE REPAIR OF ORIGINAL EQUIPMENT COMPONENTS. ALTHOUGH MOST SERVICE PARTS MAY BE USED TO REPAIR REMANUFACTURED COMPONENTS, THE REMANUFACTURING PROCESS MAY CHANGE PARTS SUFFICIENTLY SO THAT SERVICE PARTS ARE INADEQUATE OR NOT USABLE.

TRADEMARKS

THROUGHOUT THIS PARTS CATALOG, YOU WILL FIND THE FOLLOWING DEERE AND COMPANY TRADEMARKS:

INTELLITRAK®
COMMANDARM™
PERSONAL-POSTURE™
TOUCHSET™
PERFORMANCE TRAK™ II
TOUCH-N-FLOW™
OVERDRIVE™
ULTRA-TURN™

HYDRACUSHIONED™
COMFORTVIEW CAB™
TORQ-GARD PLUS 50®
HY-GARD®
QUIK-TATCH®
PATHFINDER™
FIELD CRUISE™
ROW-TRAK™

CHANGE INDICATOR LINE (MICROFICHE CATALOGS ONLY)

CHANGES AFFECTING THE ORDERING OF PARTS ARE IDENTIFIED BY VERTICAL LINES MARKED IN THE LEFT-HAND MARGIN OF REVISED PARTS LISTING IMAGES. A LINE IS ALSO AT THE LEFT-HAND EDGE OF THE SAME PART NUMBER IN THE NUMERICAL INDEX TO SHOW THE LOCATION OF REVISED INFORMATION.

SYMBOL DESCRIPTION
 DESCRIPTION DE SYMBOLE
 SYMBOL-BESCHREIBUNG
 DESCRIZIONE DEI SIMBOLI
 DESCRIPCION DEL SIMBOLO
 SYMBOLBESKRIVNING

RXP020929 -UN-15APR98

	ENGLISH	FRANCAIS	DEUTSCH
	HORN	AVERTISSEUR SONORE	SIGNALHORN
	LIGHTS	ECLAIRAGE	BELEUCHTUNG
	MFWD	MFWD	MFWD
	LIGHTER	ALLUME-CIGARE	ZIGARRENANZUENDER
	TURN SIGNAL	FEU DE CHANGMENT DE DIRECTION	FAHRTRICHTUNGSANZEIGER
	ENGINE OIL PRESSURE	PRESSION D'HUILE MOTEUR	MOTOROELDRUCK
	ENGINE OIL TEMPERATURE	TEMPERATURE D'HUILE MOTEUR	MOTOROEL-TEMPERTUR
	ENGINE COOLANT TEMPERATURE	TEMPERATURE DU LIQUIDE DE REFRROIDISSEMENT	MOTORKUEHLMITTEL-TEMPERATUR
	HYDRAULIC OIL FILTER	FILTRE A HUILE HYDRAULIQUE	HYDRAULIKOELFILTER
	HYDRAULIC OIL PRESSURE	PRESSION D'HUILE HYDRAULIQUE	HYDRAULIKOELDRUCK
	HYDRAULIC OIL TEMPERATURE	TEMPERATURE D'HUILE HYDRAULIQUE	HYDRAULIKOEL-TEMPERATUR
	HITCH	ATTELAGE	ANHAENGEVORRICHTUNG
	FUEL	CARBURANT	KRAFTSTOFF
	WINDSHIELD WIPER	ESSUIE-GLACE	SCHEIBENWISCHER
	WINDSHIELD WIPER	ESSUIE-GLACE	SCHEIBENWISCHER
	WINDSHIELD WASHER	LAVE-GLACE	SCHEIBENWASCHANLAGE
	BLOWER	SOUFFLERIE	GEBLAESE
	AIR CONDITIONER	CLIMATISEUR	KLIMAAANLAGE
	HEATER	CHAUFFAGE	HEIZUNG
	WARNING	AVERTISSEMENT	WARNUNG
	ON/OFF	MARCHE/ARRET	EIN/AUS
	NEUTRAL START	DEMARRAGE AU POINT MORT	LEERLAUF-ANLASSPERRE



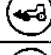














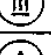


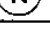

RXP020929

1B10

8100, 8200, 8300, 8400 TRACTORS

SYMBOL DESCRIPTION
 DESCRIPTION DE SYMBOLE
 SYMBOL-BESCHREIBUNG
 DESCRIZIONE DEI SIMBOLI
 DESCRIPCION DEL SIMBOLO
 SYMBOLBESKRIVNING

RXP020930 -UN-15APR98

	ITALIANO	ESPAÑOL	SVENSKA
	AVVISATORE ACUSTICO	BOCINA	SIGNALHORN
	LUCI	LUCES	BELYSNING
	MFWD	MFWD	MFWD
	ACCENDISIGARI	ENCENDEDOR	TAENDARE
	INDICATORI DI DIREZIONE	SEÑALIZADOR DE VIRAJE	KÖERRIKTNINGSVISARE
	PRESIONE DELL'OLIO DEL MOTORE	PRESION DEL ACEITE DEL MOTOR	MOTOROLJETRYCK
	TEMPERATURA DELL'OLIO DEL MOTORE	TEMPERATURA DE ACEITE DEL MOTOR	MOTOROLJETEMPERATUR
	TEMPERATURA DEL REFRIGERANTE DEL MOTORE	TEMPERATURA DEL REFRIGERANTE DEL MOTOR	MOTORKYLMEDELSTEMPERATUR
	FILTRO DELL'OLIO IDRAULICO	FILTRO DE ACEITE HIDRAULICO	HYDRAULOLJEFILTER
	PRESIONE DELL'OLIO IDRAULICO	PRESION DE ACEITE HIDRAULICO	HYDRAULOLJETRYCK
	TEMPERATURA DELL'OLIO IDRAULICO	TEMPERATURA DE ACEITE HIDRAULICO	HYDRAULOLJETEMPERATUR
	ATTACCO	ENGANCHE	DRAG
	GASOLIO	COMBUSTIBLE	BRAENSLE
	TERGICRISTALLI	LIMPIAPARABRISAS	VINDRUTETORKARE
	TERGICRISTALLI	LIMPIAPARABRISAS	VINDRUTETORKARE
	LAVACRISTALLI	LAVAPARABRISAS	VINDRUTESPOLARE
	VENTILATORE	SORLADOR	FLAEXT
	CONDIZIONATORE	ACONDICIONADOR DE AIRE	LUFTKONDITIONERING
	RISCALDAMENTO	CALENTADOR	VAERMEANLAEGGNING
	AVVERTENZA	ADVERTENCIA	VARNING
	ON/OFF	CONECTADO/DESCONECTADO	TILL/FRAAN
	START SENZA MARCIA	ARRANQUE EN NEUTRAL	START I NEUTRALLAEGE







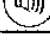
RXP020930

1B11

8100, 8200, 8300, 8400 TRACTORS

SYMBOL DESCRIPTION
 DESCRIPTION DE SYMBOLE
 SYMBOL-BESCHREIBUNG
 DESCRIZIONE DEI SIMBOLI
 DESCRIPCION DEL SIMBOLO
 SYMBOLBESKRIVNING








RXP020867 -UN-15APR98

	ENGLISH	FRANCAIS	DEUTSCH
	TRANSMISSION OIL PRESSURE	PRESSION DE L'HUILE DE TRANSMISSION	GETRIEBEOELDRUCK
	TRANSMISSION OIL TEMPERATURE	TEMPERATURE DE L'HUILE DE TRANSMISSION	GETRIEBEOELTEMPERATUR
	TRANSMISSION OIL FILTER RESTRICTION	OBSTRUCTION DU FILTRE A HUILE DE TRANSMISSION	GETRIEBEOEL-FILTERVERSTOPFUNG
	BRAKE	FREN	BREMSE
	AIR FITER RESTRICTION	OBSTRUUCTION DU FILTRE A AIR	LUFTFILTERVERSTOPFUNG
	TEMPERATURE	TEMPERATURE	TEMPERATUR
	WARNING HORN	AVERTISSEUR SONORE	WARNHUPE

RXP020867

SYMBOL DESCRIPTION
 DESCRIPTION DE SYMBOLE
 SYMBOL-BESKREIBUNG
 DESCRIZIONE DEI SIMBOLI
 DESCRIPCION DEL SIMBOLO
 SYMBOLBESKRIVNING

RXP020868 -UN-15APR98

	ITALIANO	ESPAÑOL	SVENSKA
	PRESSIONE DELL'OLIO DELLA TRASMISSIONE	PRESION DE ACEITE DE LA TRANSMISION	TRANSMISSIONSOLJETRYCK
	TEMPERATURA DELL'OLIO DELLA TRASMISSIONE	TEMPERATURA DEL ACEITE DE LA TRANSMISION	TRANSMISSIONOLJETEMPERATUR
	OSTRUZIONE DEL FILTRO DELL'OLIO DELLA TRASMISSIONE	RESTRICCION DEL FILTRO DEL ACEITE DE LA TRANSMISION	IGENSAETTNING AV TRANSMISSIONSOLJEFILTER
	FRENO	FRENO	BROMS
	OSTRUZIONE DEL FILTRO DELL'ARIA	RESTRICCION DEL FILTRO DE AIRE	LUFILTERIGENSAETTNING
	TEMPERATURA	TEMPERATURA	TEMPERATUR
	AVVISATORE ACUSTICO	BOCINA DE ADVERTENCIA	VARNINGSTUTA

RXP020868

SECTION INDEX

GENERAL INFORMATION	10
ENGINE	20
FUEL AND AIR	30
ELECTRICAL	40
ALTERNATOR, STARTER, BATTERY AND BATTERY CABLE	41
LIGHTS	42
ELECTRICAL CONNECTORS	43
POWER SHIFT TRANSMISSION	51
DIFFERENTIAL AND REAR PTO	53
MFWD	54
STEERING AND BRAKES	60
HYDRAULICS	70
ROW-TRAK	71
WHEELS, FRONT AXLES, SHEET METAL	80
OPERATOR'S STATION ACCESSORIES	90
OPERATOR STATION	91
SEAT	92
NUMERICAL INDEX	95

ALPHABETICAL INDEX

GRID	A	PAGE	GRID	PAGE	
3E1	A/C COMPRESSOR(TSN -009999).....	40 - 8	3E3	AIR FILTER RESTRICTION SENSOR(TSN -009999).....	40 - 9A
3E3	A/C COMPRESSOR(TSN -009999).....	40 - 9A	3E7	AIR FILTER RESTRICTION SENSOR(TSN 010000-).....	40 - 12
3E7	A/C COMPRESSOR(TSN 010000-).....	40 - 12	3E1	AIR INTAKE TEMPERTURE SENSOR(TSN -009999).....	40 - 8
8H9	A/C DRYER.....	90 - 6	3E3	AIR INTAKE TEMPERTURE SENSOR(TSN -009999).....	40 - 9A
8H9	A/C LINES.....	90 - 6	3E7	AIR INTAKE TEMPERTURE SENSOR(TSN 010000-).....	40 - 12
8H9	A/C LINES BRACKET.....	90 - 6	9F22	AIR SPRING SEAT KIT.....	92 - 8
3F2	ADAPTER PLUG(TSN -009999).....	40 - 32	6H12	AIR TANK, AIR BRAKE (LATE DESIGN).....	60 - 100
3F3	ADAPTER PLUG(TSN 010000-).....	40 - 33	3E13	ALARM,WARNING(EUROPEAN VERSION)(TSN -009999).....	40 - 18
1G14	ADAPTER, OIL COOLER (8100, 8200, 8300) (LATE TSN).....	20 - 66	3E15	ALARM,WARNING(EUROPEAN VERSION)(TSN 010000-).....	40 - 20
1I4	ADAPTER, OIL COOLER (8400).....	20 - 107	3E11	ALARM,WARNING(NORTH AMERICAN VERSION)(TSN 010000-).....	40 - 16
1G13	ADAPTER, OIL COOLER BYPASS (6081) (LATE TSN-81,82,8300).....	20 - 65	3E9	ALARM,WARNING(NORTH AMERICAN VERSION)(-009999).....	40 - 14
3F2	ADAPTER,ELECTRICAL(TSN -009999).....	40 - 32	3E17	ALARM,WARNING(UKRAINIAN VERSION).....	40 - 22
3F3	ADAPTER,ELECTRICAL(TSN 010000-).....	40 - 33	3I11	ALTERNATOR.....	41 - 1
8F5	ADJUSTABLE FRONT AXLE EXTENSION (8100, 8200, 8300).....	80 - 26	3I12	ALTERNATOR.....	41 - 2
2D14	AFTERCOOLER.....	30 - 6	3I11	ALTERNATOR WIRING LEAD(NEGATIVE).....	41 - 1
6H18	AIR BRAKE AIR COMPRESSOR (EUROPEAN VERSION).....	60 - 106	3E1	ALTERNATOR(TSN -009999).....	40 - 8
6H10	AIR BRAKE AIR TANK (EUROPEAN VERSION).....	60 - 98	3E3	ALTERNATOR(TSN -009999).....	40 - 9A
6H12	AIR BRAKE AIR TANK (LATE DESIGN).....	60 - 100	3E7	ALTERNATOR(TSN 010000-).....	40 - 12
6I5	AIR BRAKE CABLE (EUROPEAN VERSION).....	60 - 116	3I11	ALTERNATOR,REMANUFACTURED.....	41 - 1
6G19	AIR BRAKE CONTROL VALVE (EUROPEAN VERSION).....	60 - 82	3I12	ALTERNATOR,REMANUFACTURED.....	41 - 2
6G21	AIR BRAKE CONTROL VALVE (EUROPEAN VERSION) (LATE DESIGN).....	60 - 84	3H19	ANTENNA,RADIO.....	40 - 99
6H14	AIR BRAKE CONTROL VALVE (EUROPEAN VERSION).....	60 - 102	3H21	ANTENNA,RADIO.....	40 - 102
6H16	AIR BRAKE CONTROL VALVE (EUROPEAN VERSION) (LATE DESIGN).....	60 - 104	5F1	ARM, STEERING.....	54 - 14
6G23	AIR BRAKE CONTROL VALVE BRACKETS (EUROPEAN VERSION).....	60 - 86	5F3	ARM, STEERING.....	54 - 16
6H1	AIR BRAKE CONTROL VALVE BRACKETS (EUROPEAN VERSION).....	60 - 88	5F24	ARM, STEERING.....	54 - 36
6H7	AIR BRAKE CONTROL VALVE LINES (EUROPEAN VERSION) (LATE DESIGN) (83,8400).....	60 - 94	4E1	ARM,EXTREMITY WARNING LAMP(027100-).....	42 - 22
6H5	AIR BRAKE CONTROL VALVE LINES (EUROPEAN VERSION) (LATE DESIGN)(81,8200).....	60 - 92	3I17	ARMATURE,STARTING MOTOR(8100,8200,8300,8 400).....	41 - 6
6H3	AIR BRAKE CONTROL VALVE LINES (EUROPEAN VERSION)(EARLY DESIGN).....	60 - 90	9F24	ARMREST BRACKET, R.H.....	92 - 10
6H14	AIR BRAKE COUPLERS (EUROPEAN VERSION).....	60 - 102	9G7	ARMREST CONTROL HOUSING.....	92 - 18
6H16	AIR BRAKE COUPLERS (EUROPEAN VERSION) (LATE DESIGN).....	60 - 104	3G3	ARMREST CONTROLLER UNIT COVER.....	40 - 60
6I3	AIR BRAKE LINE (REAR) (LATE DESIGN).....	60 - 114	3F24	ARMREST CONTROLLER UNIT(ACU).....	40 - 56
6H22	AIR BRAKE LINES (FRONT).....	60 - 108	3G3	ARMREST CONTROLLER UNIT(ACU).....	40 - 60
6H24	AIR BRAKE LINES (FRONT).....	60 - 110	9F17	ARMREST KIT, LEFT-HAND.....	92 - 2
6I1	AIR BRAKE LINES (REAR) (EARLY DESIGN).....	60 - 112	3G1	ARMREST PLUG.....	40 - 58
6G17	AIR BRAKE PRESSURE REGULATING VALVE (EUROPEAN VERSION).....	60 - 80	9F24	ARMREST SUPPORT PLATE, R.H.....	92 - 10
6G17	AIR BRAKE PRESSURE RELEIF VALVE (EUROPEAN VERSION).....	60 - 80	3G11	ARMREST TO CAB WIRING HARNESS.....	40 - 68
6H9	AIR BRAKE PRESSURE SWITCH MANIFOLD (EUROPEAN VERSION).....	60 - 97	9G5	ARMREST, LEFT-HAND.....	92 - 16
3F5	AIR BRAKE PRESSURE SWITCH(EUROPEAN VERSION).....	40 - 35	9G7	ARMREST, RIGHT-HAND.....	92 - 18
3F5	AIR BRAKE WIRING HARNESS(EUROPEAN VERSION).....	40 - 35	1D21	ARMS, ROCKER (6076) (EARLY TSN 8100,8200,8300).....	20 - 8
8H17	AIR CIRCULATION DUCT.....	90 - 14	1F15	ARMS, ROCKER (6081) (LATE TSN-8100,8200,8300).....	20 - 44
8H17	AIR CIRCULATION SEAL.....	90 - 14	1H2	ARMS, ROCKER (8400).....	20 - 80
2D10	AIR CLEANER.....	30 - 2	9D14	ASHTRAY.....	91 - 9
8H5	AIR CONDITIONING COMPRESSOR.....	90 - 1	9D15	ASHTRAY.....	91 - 10
7E1	AIR CONDITIONING CONDENSOR.....	70 - 19	5F1	ASSEMBLY, CROSS SPIDER.....	54 - 14
3E1	AIR FILTER RESTRICTION SENSOR(TSN -009999).....	40 - 8	5F3	ASSEMBLY, CROSS SPIDER.....	54 - 16
			5F24	ASSEMBLY, CROSS SPIDER.....	54 - 36
			4G15	ASSEMBLY, DRIVE SHAFT.....	51 - 44
			5E23	ASSEMBLY, TIE ROD.....	54 - 12
			5F1	ASSEMBLY, U-JOINT.....	54 - 14
			5F3	ASSEMBLY, U-JOINT.....	54 - 16
			5F24	ASSEMBLY, U-JOINT.....	54 - 36
			6F7	ATTENUATOR, BRAKE VALVE.....	60 - 51A
			3F11	AUXILARY POWER STRIP.....	40 - 42
			3F11	AUXILARY POWER STRIP BRACKET.....	40 - 42
			3F11	AUXILARY POWER STRIP CONNECTOR.....	40 - 42

ALPHABETICAL INDEX - CONTINUED

GRID		PAGE	GRID		PAGE
3F11	AUXILARY POWER STRIP,CAP	40 - 42	1H6	BLOCK, SHORT(8400) (WITHOUT HEAD BOLTS)	20 - 84
5E23	AXLE HOUSING	54 - 12	1E1	BLOCK,SHORT(6076)(EARLT TSN-8100,8200,83 00)(WITHOUT HEAD BLOTS).....	20 - 12
5F18	AXLE HOUSING, MFWD LH, (ASN 000001-000747; 800001-)	54 - 30	3E13	BLOWER MOTOR(AQS)(EUROPEAN VERSION)(TSN -009999)	40 - 18
5F20	AXLE HOUSING, MFWD RH, (ASN 000001-000747; 800001-)	54 - 32	3E15	BLOWER MOTOR(AQS)(EUROPEAN VERSION)(TSN 010000-)	40 - 20
5F1	AXLE RETAINING SLEEVE	54 - 14	3E9	BLOWER MOTOR(AQS)(NORTH AMERICAN VERSION)(TSN -009999)	40 - 14
5F3	AXLE RETAINING SLEEVE	54 - 16	3E11	BLOWER MOTOR(AQS)(NORTH AMERICAN VERSION)(TSN 010000-)	40 - 16
5F24	AXLE RETAINING SLEEVE	54 - 36	3E17	BLOWER MOTOR(AQS)(UKRAINIAN VERSION).....	40 - 22
5D17	AXLE SHAFT	53 - 14	3E13	BLOWER MOTOR,PRESSURIZER(EUROPEAN VERSION)(TSN -009999)	40 - 18
5D19	AXLE SHAFT	53 - 16	3E15	BLOWER MOTOR,PRESSURIZER(EUROPEAN VERSION)(TSN 010000-)	40 - 20
5D21	AXLE SHAFT	53 - 18	3E9	BLOWER MOTOR,PRESSURIZER(NORTH AMERICAN VERSION)(TSN -009999)	40 - 14
5E23	AXLE SHAFT	54 - 12	3E11	BLOWER MOTOR,PRESSURIZER(NORTH AMERICAN VERSION)(TSN 010000-)	40 - 16
8E8	AXLE, FRONT CENTER	80 - 1	3E17	BLOWER MOTOR,PRESSURIZER(UKRAINIAN VERSION).....	40 - 22
B			4E14	BLOWER SWITCH CONNECTOR.....	43 - 9
3I5	BACK-UP ALARM BRACKET	40 - 110	1D17	BOLTS, CYLINDER HEAD (6076) (EARLY TSN-8100,8200,8300)	20 - 4
3I5	BACK-UP ALARM FUSE	40 - 110	1F10	BOLTS, CYLINDER HEAD (6081) (LATE TSN-8100,8200,8300).....	20 - 40
3I5	BACK-UP ALARM KIT	40 - 110	1G22	BOLTS, CYLINDER HEAD (8400).....	20 - 76
3I5	BACK-UP ALARM RELAY	40 - 110	1D17	BOLTS, HEAD (6076) (EARLY TSN-8100,8200,8300)	20 - 4
3I5	BACK-UP ALARM WIRING HARNESS	40 - 110	9F20	BOOT ATTACHING HARDWARE KIT.....	92 - 6
8F10	BAFFLE, GRILLE SCREEN	80 - 31	4D23	BOOT,REAR FENDER WORK LIGHT(TSN XXXXXX-).....	42 - 19
2F5	BASE, FUEL FILTER (6081) (LATE TSN-8100,8200,8300).....	30 - 44	9E7	BRACE, REAR FENDER	91 - 26
2G2	BASE, FUEL FILTER (6081) (8400)	30 - 66	9E9	BRACE, REAR FENDER (ERUOPEAN VERSION)	91 - 28
2G4	BASE, FUEL FILTER (6081) (8400)	30 - 68	6E17	BRACKET, BRAKE VALVE	60 - 36
1G15	BASE, OIL FILTER (6081) (LATE TSN-8100,8200,8300).....	20 - 68	7F21	BRACKET, CENTER LINK (EUROPEAN VERSION)	70 - 66
1I1	BASE, OIL FILTER (8400)	20 - 104	7F19	BRACKET, CENTER LINK (HIGH-LIFT HITCH) (NORTH AMERICAN VERSION).....	70 - 64
2E16	BASE, PRE-FUEL FILTER (6081)	30 - 31A	7F17	BRACKET, CENTER LINK (REGULAR HITCH) (NORTH AMERICAN VERSION).....	70 - 62
2F17	BASE, PRE-FUEL FILTER (8400)	30 - 54	7F15	BRACKET, CENTER LINK HOOK (EUROPEAN VERSION).....	70 - 60
3H21	BASE,RADIO ANTENNA	40 - 102	2E13	BRACKET, ETHER AID (6076)	30 - 29B
3I22	BATTERY	41 - 12	2E12	BRACKET, ETHER AID (6081) (LATE TSN-8100,8200,8300).....	30 - 29A
8G3	BATTERY BOX COVER.....	80 - 50	2E11	BRACKET, ETHER AID (8400 TRACTOR).....	30 - 29
3I23	BATTERY CABLE,NEGATIVE	41 - 13	7H17	BRACKET, PICK-UP HITCH DRAWBAR (EUROPEAN VERSION)	70 - 110
3E21	BATTERY CABLE,POSITIVE	40 - 26	2E16	BRACKET, PRE-FUEL FILTER SUPPORT (6081).....	30 - 31A
3I23	BATTERY CABLE,POSITIVE	41 - 13	2F17	BRACKET, PRE-FUEL FILTER SUPPORT (8400).....	30 - 54
3I22	BATTERY CLAMP	41 - 12	4D20	BRACKET, REAR ROOF WORK LAMP(TSN -XXXXXX)	42 - 16
1G2	BEARING KIT, UNDERSIZED MAIN BEARING CRANKSHAFT (6081) (8100, 8200, 8300).....	20 - 55A	4D21	BRACKET, REAR ROOF WORK LAMP(TSN XXXXXX-)	42 - 17
1E15	BEARING, THRUST (6076) (EARLT TSN 8100,8200,8300)	20 - 21	7E10	BRACKET, ROCKSHAFT POSITION SENSOR	70 - 30
1G5	BEARING, THRUST (6081) (LATE TSN-8100,8200,8300).....	20 - 57	6D13	BRACKET, STEERING VALVE	60 - 9
1H18	BEARING, THRUST (8400)	20 - 96	8H9	BRACKET,A/C LINES.....	90 - 6
1F2	BEARING, WATER PUMP (6076) (EARLY TSN-8100,8200,8300)	20 - 34	3F11	BRACKET,AUXILARY POWER STRIP	40 - 42
1E15	BEARINGS, MAIN (6076) (EARLY TSN 8100,8200,8300)	20 - 21	3I5	BRACKET,BACK-UP ALARM.....	40 - 110
1G5	BEARINGS, MAIN (6081) (LATE TSN-8100,8200,8300).....	20 - 57	3I1	BRACKET,COLD WEATHER START(NORTH AMREICAN VERSION)	40 - 106
1H18	BEARINGS, MAIN (8400).....	20 - 96	4D14	BRACKET,DIRECTION INDICATOR(CAB)(EV).....	42 - 10
1J6	BELT, COMPRESSOR	20 - 134	3F12	BRACKET,ELECTRICAL 7-TERMINAL OUTLET(NORTH AMERICAN VERSION).....	40 - 43
1J8	BELT, COMPRESSOR	20 - 136			
5D25	BEVEL SHAFT	53 - 22			
5D25	BEVEL, SPIRAL	53 - 22			
5E18	BEVEL, SPIRAL	54 - 5			
3H16	BEZEL BRACKET,RADIO	40 - 96			
3H16	BEZEL,RADIO.....	40 - 96			
1F19	BLOCK, SHORT (WITH HEAD BOLTS)(6081) (LATE TSN-81,82,8300).....	20 - 48			
1E3	BLOCK, SHORT (6076)(EARLY TSN 8100 8200,8300)(WITH HEAD BOLTS)	20 - 13A			
1H8	BLOCK, SHORT (8400) (WITH HEAD BOLTS)	20 - 86			

ALPHABETICAL INDEX - CONTINUED

<i>GRID</i>	<i>PAGE</i>	<i>GRID</i>	<i>PAGE</i>		
3F13	BRACKET,ELECTRICAL 7-TERMINAL OUTLET SOCKET(EUROPEAN VERSION)	40 - 44	6F1	BRAKE PRESSURE INLET CHECK VALVE KIT	60 - 45
3F22	BRACKET,ENGINE SPEED CONTROL(ARMREST)	40 - 54	3G25	BRAKE SWITCH.....	40 - 81
4D24	BRACKET,EXTREMITY WARNING LAMP(-027099).....	42 - 20	3G25	BRAKE SWITCH RETAINER.....	40 - 81
4E1	BRACKET,EXTREMITY WARNING LAMP(027100-).....	42 - 22	6E19	BRAKE VALVE	60 - 38
4D17	BRACKET,FRONT HEADLIGHTS(EV)	42 - 13	6F7	BRAKE VALVE ATTENUATOR	60 - 51A
4D16	BRACKET,FRONT HEADLIGHTS(UNITED KINGDOM)	42 - 12	6F7	BRAKE VALVE ATTENUATOR LINES	60 - 51A
3I3	BRACKET,GEAR PUMP HEATER(EUROPEAN VERSION).....	40 - 108	6E17	BRAKE VALVE BRACKET	60 - 36
3G18	BRACKET,HITCH CONTROL SWITCH(NORTH AMERICAN VERSION).....	40 - 74	6E23	BRAKE VALVE HARDWARE KIT	60 - 42
3G5	BRACKET,HYDRAULIC CONTROL LEVER(ARMREST)	40 - 62	6E21	BRAKE VALVE OVERHAUL KIT	60 - 40
3F21	BRACKET,KEY AND ETHER AID SWITCHES.....	40 - 53	6G4	BRAKE VALVE OVERHAUL KIT	60 - 69C
3F6	BRACKET,LOAD CENTER	40 - 36	5E22	BRAKES, WET DISK	54 - 10
3H23	BRACKET,MOBILE RADIO	40 - 104	5F14	BRAKES, WET DISK	54 - 26
3H10	BRACKET,PERFORMANCE MONITOR	40 - 90	4D12	BULB,CAB WORK LAMP(LOWER MID-BODY)(TSN -XXXXXX)	42 - 8
8H16	BRACKET,PRESSURIZER BLOWER MOTOR	90 - 13	4D13	BULB,CAB WORK LAMP(LOWER MID-BODY)(TSN XXXXXX-)	42 - 9
3H4	BRACKET,RADAR(TSN -XXXXXX)	40 - 84	4D10	BULB,CAB WORK LAMP(UPPER MID-BODY) (EUROPEAN VERSION)(TSN -XXXXXX)	42 - 6
3H8	BRACKET,RADAR(TSN XXXXXX-)	40 - 88	4D11	BULB,CAB WORK LAMP(UPPER MID-BODY) (EUROPEAN VERSION)(TSN XXXXXX-)	42 - 7
3H6	BRACKET,RADAR(TSN XXXXXX-XXXXXX)	40 - 86	4D8	BULB,CAB WORKLAMP(UPPER MID-BODY)(NORTH AMERICAN VERSION(TSN -XXXXXX)	42 - 4
4D23	BRACKET,REAR FENDER WORK LIGHT(TSN XXXXXX-)	42 - 19	4D9	BULB,CAB WORKLAMP(UPPER MID-BODY)(NORTH AMERICAN VERSION(TSN XXXXXX-)	42 - 5
3H13	BRACKET,ROW-TRAK MONITOR.....	40 - 93	3G23	BULB,CONSOLE LIGHT	40 - 79
3G7	BRACKET,SELECTIVE CONTROL(ARMREST)	40 - 64	3H12	BULB,CORNER POST DISPLAY.....	40 - 92
3F24	BRACKET,TRANSMISSION CONTROL(ARMREST)	40 - 56	4D14	BULB,DIRECTION INDICATOR LAMP(EV).....	42 - 10
4D8	BRACKET,WORK LAMP(UPPER MID-BODY)(NORTH AMERICAN VERSION)(TSN -XXXXXX)	42 - 4	3G20	BULB,DOME LIGHT	40 - 76
4D9	BRACKET,WORK LAMP(UPPER MID-BODY)(NORTH AMERICAN VERSION)(TSN XXXXXX-)	42 - 5	4D24	BULB,EXTREMITY WARNING LAMP(-027099)	42 - 20
4D10	BRACKET,WORK LAMPS(CAB)(UPPER MID-BODY) (EUROPEAN VERSION)(TSN -XXXXXX)	42 - 6	4E1	BULB,EXTREMITY WARNING LAMP(027100-)	42 - 22
4D11	BRACKET,WORK LAMPS(CAB)(UPPER MID-BODY) (EUROPEAN VERSION)(TSN XXXXXX-)	42 - 7	4D17	BULB,HEADLIGHT(EV)	42 - 13
4D13	BRACKET,WORKING LAMPS(LOWER MID-BODY)(TSN XXXXXX-).....	42 - 9	4D16	BULB,HEADLIGHT(UNITED KINGDOM).....	42 - 12
4D12	BRACKET,WORKING LAMPS(LOWER MID-BODY) (TSN -XXXXXX)	42 - 8	4D15	BULB,HOOD HEADLIGHT	42 - 11
6G23	BRACKETS, AIR BRAKE CONTROL VALVE (EUROPEAN VERSION)	60 - 86	3F20	BULB,INSTRUMENT CONTROL PANEL(ICU)	40 - 52
6H1	BRACKETS, AIR BRAKE CONTROL VALVE (EUROPEAN VERSION)	60 - 88	3H10	BULB,PERFORMANCE MONITOR	40 - 90
7E4	BRACKETS, OIL COOLER LINE.....	70 - 22	4D22	BULB,REAR FENDER WORK LIGHT(TSN -XXXXXX).....	42 - 18
2E16	BRACKETS, PRE-FUEL FILTER (6081)	30 - 31A	4D23	BULB,REAR FENDER WORK LIGHT(TSN XXXXXX-).....	42 - 19
2F17	BRACKETS, PRE-FUEL FILTER (8400)	30 - 54	4D20	BULB,REAR ROOF WORK LAMP(TSN -XXXXXX).....	42 - 16
6F4	BRAKE DISK	60 - 49	4D21	BULB,REAR ROOF WORK LAMP(TSN XXXXXX-)	42 - 17
6F13	BRAKE LEVER, SECONDARY (EUROPEAN VERSION) (EARLY DESIGN)	60 - 56	4D18	BULB,ROOF WARNING LIGHT(NAV)	42 - 14
6F15	BRAKE LEVER, SECONDARY (EUROPEAN VERSION) (LATE DESIGN).....	60 - 58	3H13	BULB,ROW-TRAK MONITOR	40 - 93
6F19	BRAKE LEVER, SECONDARY (EUROPEAN VERSION) (LATEST DESIGN)	60 - 62	3F20	BULB,SCV SETUP PANEL(SUP)	40 - 52
3F4	BRAKE LIGHT EXTENSION WIRING HARNESS.....	40 - 34	4D5	BULB,TAIL LIGHT(NAV).....	42 - 1
3F4	BRAKE LIGHT RELAY	40 - 34	4D6	BULB,TAIL/STOP(EV)(TSN -009999)	42 - 2
6E25	BRAKE MAKE-UP CHECK VALVE KIT	60 - 44	4D7	BULB,TAIL/STOP(TSN 010000-)	42 - 3
6F5	BRAKE OIL LINES (EARLY DESIGN)	60 - 50	4D6	BULB,TURN SIGNAL/HAZARD WARNING(EV)	42 - 2
6F9	BRAKE OIL LINES (REAR) (W/ TRAILER BRAKE) (LATE DESIGN).....	60 - 52	4D7	BULB,TURN SIGNAL/HAZARD WARNING(TSN 010000).....	42 - 3
6F11	BRAKE OIL LINES (REAR) (W/O TRAILER BRAKE) (LATE DESIGN).....	60 - 54	7F12	BUMPER, DRAFT LINK	70 - 57
6F2	BRAKE PEDALS.....	60 - 46	1D23	BUSHING, CAMSHAFT (6076) (EARLY TSN -009999)	20 - 10
5E22	BRAKE PISTON	54 - 10	1D22	BUSHING, CAMSHAFT (6076) (EARLY TSN-8100,8200,8300)	20 - 9
5F14	BRAKE PISTON	54 - 26	1F17	BUSHING, CAMSHAFT (6081) (LATE TSN-81,82,8300).....	20 - 46
5D5	BRAKE PISTON, PTO	53 - 2	1F16	BUSHING, CAMSHAFT (6081) (LATE TSN-8100,8200,8300).....	20 - 45
5D7	BRAKE PISTON, PTO	53 - 4	1H3	BUSHING, CAMSHAFT (8400)	20 - 81
6F1	BRAKE PRE-FILL PISTON KIT	60 - 45	1H4	BUSHING, CAMSHAFT (8400)	20 - 82
			3I19	BYPASS START LABEL	41 - 8
			3I20	BYPASS START LABEL(8100,8200,8300,8400).....	41 - 10
			3I16	BYPASS START LABEL(8400)	41 - 5
			1G13	BYPASS TUBES, OIL COOLER (6081) (LATE TSN-81,82,8300).....	20 - 65
			1I3	BYPASS VALVE, OIL COOLER (6081)	20 - 106

ALPHABETICAL INDEX - CONTINUED

GRID		PAGE	GRID		PAGE
1E22	BYPASS VALVE, OIL FILTER (6076)	20 - 28	3I23	CAP, POSITIVE TERMINAL	41 - 13
1G15	BYPASS VALVE, OIL FILTER (6081) (LATE TSN-8100,8200,8300)	20 - 68	3H21	CAP, W/O RADIO	40 - 102
111	BYPASS VALVE, OIL FILTER (8400)	20 - 104	1D23	CAPS, MAIN BEARING (6076) (EARLY TSN -009999)	20 - 10
C					
9D7	CAB	91 - 2	1F17	CAPS, MAIN BEARING (6081) (LATE TSN-81,82,8300)	20 - 46
3F8	CAB AND CHASSIS GROUND CABLE	40 - 39	1H4	CAPS, MAIN BEARING (8400)	20 - 82
3F10	CAB ELECTRICAL JUNCTION BLOCK	40 - 41	5D17	CARRIER, PLANET PINION	53 - 14
3F10	CAB JUNCTION BLOCK, ELECTRICAL	40 - 41	5D19	CARRIER, PLANET PINION	53 - 16
9D9	CAB MOUNTS	91 - 4	5D21	CARRIER, PLANET PINION	53 - 18
3E21	CAB POWER CABLE	40 - 26	5F9	CARRIER, PLANETARY	54 - 20
8G5	CAB REAR COVER	80 - 52	5F22	CARRIER, PLANETARY	54 - 34
9D7	CAB REPLACEMENT	91 - 2	5G5	CARRIER, PLANETARY	54 - 42
9D9	CAB SUPPORTS	91 - 4	5D13	CASE, DIFFERENTIAL	53 - 10
3F6	CAB WIRING HARNESS (EUROPEAN VERSION)	40 - 36	5E17	CASE, DIFFERENTIAL (MFWD)	54 - 4
3F6	CAB WIRING HARNESS (NORTH AMERICAN VERSION)	40 - 36	4G13	CASE, TRANSMISSION	51 - 42
3F6	CAB WIRING HARNESS (UKRAINIAN VERSION)	40 - 36	4I17	CASE, TRANSMISSION	51 - 94
6I5	CABLE, AIR BRAKE (EUROPEAN VERSION)	60 - 116	8E21	CAST REAR WHEELS	80 - 16
7F16	CABLE, DRAFT LINK RELEASE (EUROPEAN VERSION)	70 - 61	2D17	CENTER HOUSING, TURBOCHARGER (SCHWITZER) (6076)	30 - 9
7H15	CABLE, PICK-UP HITCH CONTROL (EUROPEAN VERSION)	70 - 108	2E3	CENTER HOUSING, TURBOCHARGER (SCHWITZER) (6081)	30 - 20
9D11	CABLE, TOW DISCONNECT LEVER (CAB)	91 - 6	7F21	CENTER LINK (EUROPEAN VERSION)	70 - 66
3F8	CABLE, CAB AND CHASSIS GROUND	40 - 39	7F19	CENTER LINK (HIGH-LIFT HITCH) (NORTH AMERICAN VERSION)	70 - 64
3E21	CABLE, CAB POWER	40 - 26	7F17	CENTER LINK (REGULAR HITCH) (NORTH AMERICAN VERSION)	70 - 62
3H23	CABLE, MOBILE RADIO ANTENNA	40 - 104	7F21	CENTER LINK BRACKET SPACER KIT (EUROPEAN VERSION)	70 - 66
3H21	CABLE, RADIO ANTENNA	40 - 102	7F15	CENTER LINK TRANSPORT HOOK (EUROPEAN VERSION)	70 - 60
8H19	CABLE, TEMPERATURE CONTROL	90 - 16	3G13	CENTRAL CONTROL UNIT (CCU)	40 - 70
1D22	CAMSHAFT (6076) (EARLY TSN-8100,8200,8300)	20 - 9	3G15	CENTRAL CONTROL UNIT (CCU)	40 - 72
1F16	CAMSHAFT (6081) (LATE TSN-8100,8200,8300)	20 - 45	3E5	CENTRAL CONTROL UNIT (CCU) (TSN 010000-)	40 - 10
1H3	CAMSHAFT (8400)	20 - 81	7G18	CHAIN, IMPLEMENT SAFETY	70 - 89
1D23	CAMSHAFT BUSHING (6076) (EARLY TSN -009999)	20 - 10	6E9	CHARGE PUMP	60 - 28
1D22	CAMSHAFT BUSHING (6076) (EARLY TSN-8100,8200,8300)	20 - 9	6E13	CHARGE PUMP REAR LINES	60 - 32
1F17	CAMSHAFT BUSHING (6081) (LATE TSN-81,82,8300)	20 - 46	6E10	CHARGE PUMP/STEERING PUMP	60 - 29
1F16	CAMSHAFT BUSHING (6081) (LATE TSN-8100,8200,8300)	20 - 45	6E25	CHECK VALVE KIT, BRAKE MAKE-UP	60 - 44
1H3	CAMSHAFT BUSHING (8400)	20 - 81	6F1	CHECK VALVE KIT, BRAKE PRESSURE INLET	60 - 45
1H4	CAMSHAFT BUSHING (8400)	20 - 82	8G4	CHOCK BLOCK HOLDER (EUROPEAN VERSION)	80 - 51
1D21	CAMSHAFT FOLLOWER (6076) (EARLY TSN 8100,8200,8300)	20 - 8	3E13	CIGAR LIGHTER (EUROPEAN VERSION) (TSN -009999)	40 - 18
1D22	CAMSHAFT FOLLOWER (6076) (EARLY TSN-8100,8200,8300)	20 - 9	3E15	CIGAR LIGHTER (EUROPEAN VERSION) (TSN 010000-)	40 - 20
1F15	CAMSHAFT FOLLOWER (6081) (LATE TSN-8100,8200,8300)	20 - 44	3E9	CIGAR LIGHTER (NORTH AMERICAN VERSION) (TSN -009999)	40 - 14
1F16	CAMSHAFT FOLLOWER (6081) (LATE TSN-8100,8200,8300)	20 - 45	3E11	CIGAR LIGHTER (NORTH AMERICAN VERSION) (TSN 010000-)	40 - 16
1H2	CAMSHAFT FOLLOWER (8400)	20 - 80	3F16	CIGAR LIGHTER (TSN -009999)	40 - 48
1H3	CAMSHAFT FOLLOWER (8400)	20 - 81	3F18	CIGAR LIGHTER (TSN 010000-)	40 - 50
1D22	CAMSHAFT GEAR (6076) (EARLY TSN-8100,8200,8300)	20 - 9	3E17	CIGAR LIGHTER (UKRAINIAN VERSION)	40 - 22
1F16	CAMSHAFT GEAR (6081) (LATE TSN-8100,8200,8300)	20 - 45	3F24	CIRCUIT BOARD COVER (ARMREST)	40 - 56
1H3	CAMSHAFT GEAR (8400)	20 - 81	3I22	CLAMP, BATTERY	41 - 12
1D22	CAMSHAFT THRUST WASHER (6076) (EARLY TSN-8100,8200,8300)	20 - 9	8H13	CLAMP, HEATER HOSE	90 - 10
8F11	CAP, COOLANT FILL ACCESS	80 - 32	7E4	CLAMPS, OIL COOLER LINE	70 - 22
2G8	CAP, FUEL	30 - 72	7G21	CLEVIS, DRAWBAR (EUROPEAN VERSION)	70 - 92
3F11	CAP, AUXILIARY POWER STRIP	40 - 42	7G5	CLEVIS, DRAWBAR (8100, 8200, 8300) (EARLY DESIGN)	70 - 74
			7G7	CLEVIS, DRAWBAR (NORTH AMERICAN VERSION) (LATE DESIGN)	70 - 76
			7G15	CLEVIS, DRAWBAR (NORTH AMERICAN VERSION) (LATE DESIGN)	70 - 84
			7G13	CLEVIS, DRAWBAR (NORTH AMERICAN VERSION) (8400) (EARLY DESIGN)	70 - 82
			3H3	CLOCK (EUROPEAN VERSION)	40 - 83

ALPHABETICAL INDEX - CONTINUED

<i>GRID</i>		<i>PAGE</i>	<i>GRID</i>		<i>PAGE</i>
3E13	CLOCK(EUROPEAN VERSION)(TSN -009999)	40 - 18	3E15	CONSOLE LIGHT(EUROPEAN VERSION)(TSN 010000-)	40 - 20
3F16	CLOCK(EUROPEAN VERSION)(TSN -009999)	40 - 48	3E9	CONSOLE LIGHT(NORTH AMERICAN VERSION)(TSN -009999)	40 - 14
3E15	CLOCK(EUROPEAN VERSION)(TSN 010000-)	40 - 20	3E11	CONSOLE LIGHT(NORTH AMERICAN VERSION)(TSN 010000-)	40 - 16
3F18	CLOCK(EUROPEAN VERSION)(TSN 010000-)	40 - 50	3E17	CONSOLE LIGHT(UKRAINIAN VERSION)	40 - 22
9E6	CLOTHES HOOK	91 - 25	9D15	CONTROL CONSOLE	91 - 10
5E22	CLUTCH DRIVE PLATE	54 - 10	7H15	CONTROL LEVER, PICK-UP HITCH (EUROPEAN VERSION).....	70 - 108
5F14	CLUTCH DRIVE PLATE	54 - 26	2E24	CONTROL UNIT, ELECTRONIC (6076)	30 - 38
5D5	CLUTCH DRUM	53 - 2	2F9	CONTROL UNIT, ELECTRONIC (6081) (LATE TSN-8100,8200,8300).....	30 - 48
5D7	CLUTCH DRUM	53 - 4	2F11	CONTROL UNIT, ELECTRONIC (6081) (LATE TSN-8100,8200,8300).....	30 - 49A
5D5	CLUTCH HUB	53 - 2	2F21	CONTROL UNIT, ELECTRONIC (8400)	30 - 58
5D7	CLUTCH HUB	53 - 4	6G23	CONTROL VALVE BRACKETS, AIR BRAKE (EUROPEAN VERSION)	60 - 86
4E23	CLUTCH PEDAL	51 - 2	6H1	CONTROL VALVE BRACKETS, AIR BRAKE (EUROPEAN VERSION)	60 - 88
4H1	CLUTCH PEDAL	51 - 54	6H3	CONTROL VALVE LINES, AIR BRAKE (EUROPEAN VERSION) (EARLY DESIGN).....	60 - 90
4G11	CLUTCH, MFWD	51 - 40	6H7	CONTROL VALVE LINES,AIR BRAKE (EUROPEAN VERSION) (LATE DESIGN) (83,8400)	60 - 94
4I15	CLUTCH, MFWD	51 - 92	6H5	CONTROL VALVE LINES,AIR BRAKE (EUROPEAN VERSION) (LATE DESIGN)(81,8200)	60 - 92
5D5	CLUTCH, PTO	53 - 2	6G19	CONTROL VALVE, AIR BRAKE (EUROPEAN VERSION)	60 - 82
5D7	CLUTCH, PTO	53 - 4	6G21	CONTROL VALVE, AIR BRAKE (EUROPEAN VERSION) (LATE DESIGN)	60 - 84
3117	CLUTCH,STATING MOTOR(8100,8200,8300,8400).....	41 - 6	7H20	CONTROL VALVE, SELECTIVE	70 - 114
3120	CLUTCH,STATING MOTOR(8100,8200,8300,8400).....	41 - 10	3G3	CONTROLLER UNIT,ARMREST(ACU)	40 - 60
311	COLD WEATHER START BRACKET(NORTH AMERICAN VERSION)	40 - 106	3E5	CONTROLLER,ENGINE CONTROL UNIT(ECU)(TSN 010000-)	40 - 10
311	COLD WEATHER START HEATER(NORTH AMERICAN VERSION)	40 - 106	3G13	CONTROLLER,ENGINE(ECU).....	40 - 70
313	COLD WEATHER START KIT(EUROPEAN VERSION).....	40 - 108	3G15	CONTROLLER,ENGINE(ECU).....	40 - 72
311	COLD WEATHER START KIT(NORTH AMERICAN VERSION).....	40 - 106	3E23	CONTROLLER,HITCH	40 - 28
313	COLD WEATHER START WIRING HRANESS(EUROPEAN VERSION)	40 - 108	3G13	CONTROLLER,HITCH(HCU/SCU)	40 - 70
311	COLD WEATHER START WIRING HARNESS(NORTH AMERICAN VERSION)	40 - 106	3G15	CONTROLLER,HITCH(HCU/SCU)	40 - 72
2E8	COLD WEATHER STARTING AID	30 - 26	3G13	CONTROLLER,POWER SHIFT(CCU/PCU).....	40 - 70
1J6	COMPRESSOR BELT	20 - 134	3G15	CONTROLLER,POWER SHIFT(CCU/PCU).....	40 - 72
1J8	COMPRESSOR BELT	20 - 136	3E5	CONTROLLER,POWERSHIFT CONTROL UNIT(PCU)(TSN 010000-)	40 - 10
8H8	COMPRESSOR CLUTCH.....	90 - 4	3E5	CONTROLLER,SCV/HITCH CONTROL UNIT(HCU/SCU)(TSN 010000-)	40 - 10
9F22	COMPRESSOR FILTER KIT	92 - 8	7H15	CONTROLS, PICK-UP HITCH (EUROPEAN VERSION).....	70 - 108
8H7	COMPRESSOR HARDWARE KIT	90 - 3	7H9	CONTROLS, WAGON HITCH (EUROPEAN VERSION).....	70 - 102
8H5	COMPRESSOR, A/C	90 - 1	3F15	CONVENIENCE OUTLET SOCKET	40 - 46
6H18	COMPRESSOR, AIR BRAKE AIR (EUROPEAN VERSION).....	60 - 106	3F15	CONVENIENCE OUTLET SOCKET ELECTRICAL PLUG	40 - 46
7E1	CONDENSOR, AIR CONDITIONING.....	70 - 19	3F2	CONVENIENCE OUTLET(TSN -009999)	40 - 32
4E15	CONDUIT	43 - 10	3F16	CONVENIENCE OUTLET(TSN -009999)	40 - 48
1E14	CONNECTING RODS (6076) (EARLY TSN 8100,8200,8300)	20 - 20	3F3	CONVENIENCE OUTLET(TSN 010000-)	40 - 33
1G6	CONNECTING RODS (6081) (LATE TSN-8100,8200,8300).....	20 - 58	3F18	CONVENIENCE OUTLET(TSN 010000-)	40 - 50
1H17	CONNECTING RODS (6081HRW01)(8400)	20 - 95	8F11	COOLANT FILL ACCESS CAP	80 - 32
4E14	CONNECTOR,BLOWER SWITCH	43 - 9	1F1	COOLANT HEATER, ENGINE (220V).....	20 - 32
4E13	CONNECTOR,ELECTRICAL	43 - 8	1E24	COOLANT HEATER, ENGINE (6076).....	20 - 30
4E11	CONNECTOR,METRI-PACK	43 - 6	1I12	COOLANT RECOVERY TANK	20 - 114
3F14	CONNECTOR,NINE-PIN IMPLEMENT FEEDBACK	40 - 45	1E22	COOLER AND OIL FILTER HOUSING (6076)	20 - 28
4E14	CONNECTOR,REAR WINDSHIELD WIPER	43 - 9	7E4	COOLER LINE CLAMPS AND BRACKETS	70 - 22
4E14	CONNECTOR,START SWITCH.....	43 - 9	1E22	COOLER, ENGINE OIL (6076)	20 - 28
4E7	CONNECTOR,WEATHERPACK.....	43 - 2	1G14	COOLER, ENGINE OIL (8100, 8200, 8300) (LATE TSN)	20 - 66
2F1	CONNECTORS, FUEL INJECTION PUMP HOUSING (6076)	30 - 40	1I4	COOLER, ENGINE OIL (8400)	20 - 107
2F13	CONNECTORS, FUEL INJECTION PUMP HOUSING (6081) (LATE TSN-8100,8200,8300).....	30 - 50	7E1	COOLER, HYDRAULIC OIL.....	70 - 19
2F23	CONNECTORS, FUEL INJECTION PUMP HOUSING (8400)	30 - 60			
4E9	CONNECTORS,METRI-PACK	43 - 4			
3G23	CONSOLE LIGHT HOUSING.....	40 - 79			
3E13	CONSOLE LIGHT(EUROPEAN VERSION)(TSN -009999)	40 - 18			

ALPHABETICAL INDEX - CONTINUED

<i>GRID</i>		<i>PAGE</i>	<i>GRID</i>		<i>PAGE</i>
8H19	CORE, EVAPORATOR/HEATER.....	90 - 16	1G8	COVER, TIMING GEAR (6081) (LATE TSN-8100,8200,8300).....	20 - 60
3H12	CORNER POST DISPLAY.....	40 - 92	1H20	COVER, TIMING GEAR (8400 TRACTOR).....	20 - 98
4G1	COUNTERSHAFT.....	51 - 30	4F17	COVER, TRANSMISSION CASE REAR.....	51 - 20
4I5	COUNTERSHAFT.....	51 - 82	4F19	COVER, TRANSMISSION CASE REAR.....	51 - 22
4G1	COUNTERSHAFT GEAR.....	51 - 30	4H19	COVER, TRANSMISSION CASE REAR.....	51 - 72
4I5	COUNTERSHAFT GEAR.....	51 - 82	4H21	COVER, TRANSMISSION CASE REAR.....	51 - 74
7I21	COUPLER KIT, POWER BEYOND (W/ TRAILER BRAKE) (EUROPEAN VERSION).....	70 - 140	1G24	COVER, VALVE (ESN -018791)(8400).....	20 - 78
7I19	COUPLER KIT, POWER BEYOND (W/O TRAILER BRAKE).....	70 - 138	1D19	COVER, VALVE (6076) (EARLY TSN-8100,8200,8300).....	20 - 6
8D14	COUPLER, ROW-TRAK QUICK.....	71 - 12	1F12	COVER, VALVE (6081) (LATE TSN-8100,8200,8300).....	20 - 42
7H22	COUPLER, SELECTIVE CONTROL VALVE.....	70 - 116	1G25	COVER, VALVE (ESN 018792-) (8400).....	20 - 78A
7H5	COUPLER, WAGON HITCH (EUROPEAN VERSION) (LATE DESIGN).....	70 - 100	1F13	COVER, VALVE (6081) (LATE TSN-8100,8200,8300).....	20 - 42A
7H7	COUPLER, WAGON HITCH (EUROPEAN VERSION) (LATE DESIGN).....	70 - 101A	1G17	COVER, WATER PUMP (6081) (LATE TSN-8100,8200,8300).....	20 - 70
6H14	COUPLERS, AIR BRAKE (EUROPEAN VERSION).....	60 - 102	1I5	COVER, WATER PUMP (8400).....	20 - 108
6H16	COUPLERS, AIR BRAKE (EUROPEAN VERSION) (LATE DESIGN).....	60 - 104	3G3	COVER, ARMREST CONTROLLER UNIT.....	40 - 60
7H3	COUPLING, WAGON HITCH (EUROPEAN VERSION).....	70 - 98	3F24	COVER, CIRCUIT BOARD (ARMREST).....	40 - 56
3I14	COVER STARTER SOLENOID (DENSO) (6076).....	41 - 4	8H15	COVER, FRESH AIR FILTER HOUSING.....	90 - 12
3I15	COVER STARTER SOLENOID (NIPPONDENSO) (6081) (LATE TSN-8100,8200,8300).....	41 - 4A	8H21	COVER, HEATER AND A/C COMPARTMENT.....	90 - 18
8G3	COVER, BATTERY BOX.....	80 - 50	3F24	COVER, NEUTRAL START SWITCH.....	40 - 56
8G5	COVER, CAB REAR.....	80 - 52	3H4	COVER, RADAR (TSN -XXXXXX).....	40 - 84
9D17	COVER, COWL.....	91 - 12	3H6	COVER, RADAR (TSN XXXXXX-XXXXXX).....	40 - 86
5E15	COVER, DIFFERENTIAL CASE.....	54 - 2	3G9	COVER, ROCKSHAFT CONTROL (ARMREST).....	40 - 66
5F12	COVER, DIFFERENTIAL CASE.....	54 - 24	3F9	COVER, STARTING CIRCUIT RELAY.....	40 - 40
5E17	COVER, DIFFERENTIAL CASE (MFWD).....	54 - 4	3I19	COVER, STARTING MOTOR SOLENOID SWITCH.....	41 - 8
5D15	COVER, DIFFERENTIAL HOUSING.....	53 - 12	3I16	COVER, STARTING MOTOR (8400).....	41 - 5
7E12	COVER, DRAFT LINK SUPPORT.....	70 - 32	4D8	COVER, WORK LAMP (UPPER MID-BODY) (NORTH AMERICAN VERSION (TSN -XXXXXX).....	42 - 4
8F18	COVER, FRONT FRAME (8100, 8200, 8300).....	80 - 39	4D9	COVER, WORK LAMP (UPPER MID-BODY) (NORTH AMERICAN VERSION (TSN XXXXXX-).....	42 - 5
1H20	COVER, INJECTION PUMP ACCESS (8400 TRACTOR).....	20 - 98	9D17	COWL ASSEMBLY.....	91 - 12
1E17	COVER, INJECTION PUMP ACCESS (6076) (EARLY TSN-8100,8200,8300).....	20 - 23	9D17	COWL COVER.....	91 - 12
1G8	COVER, INJECTION PUMP ACCESS (6081) (LATE TSN-8100,8200,8300).....	20 - 60	1E12	CRANKSHAFT (6076) (EARLY TSN 8100,8200,8300).....	20 - 18
4F13	COVER, MANIFOLD.....	51 - 16	1G1	CRANKSHAFT (6081) (LATE TSN-81,82,8300).....	20 - 55
4H15	COVER, MANIFOLD.....	51 - 68	1H15	CRANKSHAFT (8400).....	20 - 93
4G11	COVER, MFWD CLUTCH.....	51 - 40	1E11	CRANKSHAFT DAMPER (6076).....	20 - 17
4I15	COVER, MFWD CLUTCH.....	51 - 92	1H14	CRANKSHAFT DAMPER (6081).....	20 - 92
1G14	COVER, OIL COOLER (8100, 8200, 8300) (LATE TSN).....	20 - 66	1F25	CRANKSHAFT DAMPER (6081) (LATE TSN-81,82,8300).....	20 - 54
1I4	COVER, OIL COOLER (8400).....	20 - 107	1H20	CRANKSHAFT FRONT OIL SEAL (8400 TRACTOR).....	20 - 98
7H15	COVER, PICK-UP HITCH CONTROL LEVER (EUROPEAN VERSION).....	70 - 108	1E17	CRANKSHAFT FRONT OIL SEAL (6076) (EARLY TSN-8100,8200,8300).....	20 - 23
9F12	COVER, REAR WIPER HOLE.....	91 - 54	1G8	CRANKSHAFT FRONT OIL SEAL (6081) (LATE TSN-8100,8200,8300).....	20 - 60
1G24	COVER, ROCKER ARM (ESN -018791)(8400).....	20 - 78	1G3	CRANKSHAFT KIT, UNDERSIZE (6081) (CONNECTING ROD JOURNAL) (81, 82, 83).....	20 - 55B
1G25	COVER, ROCKER ARM (ESN 018792-) (8400).....	20 - 78A	1E11	CRANKSHAFT PULLEY (6076).....	20 - 17
1D19	COVER, ROCKER ARM (6076) (EARLY TSN-8100,8200,8300).....	20 - 6	1H14	CRANKSHAFT PULLEY (6081).....	20 - 92
1F12	COVER, ROCKER ARM (6081) (LATE TSN-8100,8200,8300).....	20 - 42	1F25	CRANKSHAFT PULLEY (6081) (LATE TSN-81,82,8300).....	20 - 54
1F13	COVER, ROCKER ARM (6081) (LATE TSN-8100,8200,8300).....	20 - 42A	5F1	CROSS SPIDER ASSEMBLY.....	54 - 14
6F21	COVER, SECONDARY BRAKE LEVER (EUROPEAN VERSION).....	60 - 64	5F3	CROSS SPIDER ASSEMBLY.....	54 - 16
7H19	COVER, SELECTIVE CONTROL VALVE END.....	70 - 113	5F24	CROSS SPIDER ASSEMBLY.....	54 - 36
9D17	COVER, STEERING COLUMN.....	91 - 12	9G3	CUSHIONS, SEAT.....	92 - 14
1E17	COVER, TIMING GEAR (6076) (EARLY TSN-8100,8200,8300).....	20 - 23	1D23	CYLINDER BLOCK FITTINGS (6076) (EARLY TSN -009999).....	20 - 10
			1F17	CYLINDER BLOCK FITTINGS (6081) (LATE TSN-81,82,8300).....	20 - 46
			1H4	CYLINDER BLOCK FITTINGS (8400).....	20 - 82

ALPHABETICAL INDEX - CONTINUED

GRID	PAGE	GRID	PAGE
1D17	CYLINDER HEAD (6076) (EARLY TSN-8100,8200,8300)	8G21	DECALS KIT (CANADA)
	20 - 4	8G19	DECALS KIT (SPANISH)
1F10	CYLINDER HEAD (6081) (LATE TSN-8100,8200,8300).....	8G9	DECALS, MODEL DESIGNATION (8100, 8200)(010000-).....
	20 - 40		80 - 56
1G22	CYLINDER HEAD (8400).....	8G7	DECALS, MODEL DESIGNATION (8100, 8200) (-009999)
	20 - 76		80 - 54
1D17	CYLINDER HEAD BOLTS (6076) (EARLY TSN-8100,8200,8300)	8G10	DECALS, MODEL DESIGNATION (8300, 8400)(010000-).....
	20 - 4		80 - 57
1F10	CYLINDER HEAD BOLTS (6081) (LATE TSN-8100,8200,8300).....	8G8	DECALS, MODEL DESIGNATION (8300, 8400)(009999).....
	20 - 40		80 - 55
1G22	CYLINDER HEAD BOLTS (8400).....	8G17	DECALS, RH CONTROL
	20 - 76	9D17	DEFROST LOUVERS.....
1D17	CYLINDER HEAD GASKET (6076) (EARLY TSN-8100,8200,8300)	3G9	DIAL ADJUSTMENT,ROCKSHAFT CONTROL(ARMREST)
	20 - 4		40 - 66
1F10	CYLINDER HEAD GASKET (6081) (LATE TSN-8100,8200,8300).....	5D15	DIFFERENTIAL.....
	20 - 40	5D13	DIFFERENTIAL CASE
1G22	CYLINDER HEAD GASKET (8400).....	5E17	DIFFERENTIAL CASE (MFWD).....
	20 - 76	5E15	DIFFERENTIAL CASE COVER
1F7	CYLINDER HEAD GASKET KIT (6076)	5F12	DIFFERENTIAL CASE COVER
	20 - 38	5E15	DIFFERENTIAL DRIVE SHAFT
1I8	CYLINDER HEAD GASKET KIT (6081)	5F12	DIFFERENTIAL DRIVE SHAFT
	20 - 110	5D15	DIFFERENTIAL HOUSING COVER
1G20	CYLINDER HEAD GASKET KIT (6081) (LATE TSN-8100,8200,8300).....	5E19	DIFFERENTIAL HOUSING SET (MFWD)
	20 - 74	5E20	DIFFERENTIAL QUILL
1E14	CYLINDER LINERS (6076) (EARLY TSN 8100,8200,8300)	5G3	DIFFERENTIAL, MFWD, HIGH CAPACITY, (ASN 000001-000747; 800001-)
	20 - 20		54 - 40
1G6	CYLINDER LINERS (6081) (LATE TSN-8100,8200,8300).....	5G1	DIFFERENTIAL, MFWD, STANDARD, (ASN 000001-000747; 800001-)
	20 - 58		54 - 38
1H17	CYLINDER LINERS (6081HRW01)(8400).....	5E17	DIFFERENTIAL CASE COVER (MFWD).....
	20 - 95	5D15	DIFFERENTIAL HUB
7E24	CYLINDER, LIFT (100 MM) (HIGH-LIFT) (EARLY DESIGN).....	5D15	DIFFERENTIAL QUILL
	70 - 44	5D15	DIFFERENTIAL SHAFT
7E25	CYLINDER, LIFT (100 MM) (HIGH-LIFT) (LATE DESIGN)	5E20	DIFFERENTIAL SHAFT
	70 - 45	3F6	DIODE,LOAD CENTER
7E18	CYLINDER, LIFT (8100, 8200) (EUROPEAN VERSION).....	1E10	DIPSTICK, ENGINE OIL (6076) (EARLY TSN-8100,8200,8300)
	70 - 38		20 - 16
7E20	CYLINDER, LIFT (8100,8200) (EARLY DESIGN).....	1H13	DIPSTICK, ENGINE OIL (6081).....
	70 - 40		20 - 91
7E15	CYLINDER, LIFT (8100,8200) (NORTH AMERICAN HIGH-LIFT).....	1F24	DIPSTICK, ENGINE OIL (6081) (LATE TSN-81,82,8300).....
	70 - 35		20 - 53
7E21	CYLINDER, LIFT (8100,8200)(LATE DESIGN)	4D14	DIRECTION INDICATOR BRACKET(CAB)(EV)
	70 - 41		42 - 10
7E19	CYLINDER, LIFT (8300,8400) (EUROPEAN VERSION).....	4D14	DIRECTION INDICATOR LAMP(CAB)(EV)
	70 - 39	6F4	DISK, BRAKE
7E17	CYLINDER, LIFT (8300,8400) (NORTH AMERICAN HIGH-LIFT).....	5G3	DISK, DIFFERENTIAL, MFWD, HIGH CAPACITY, (ASN 000001-000747; 800001-)
	70 - 37		54 - 40
7E22	CYLINDER, LIFT (90 MM) (EARLY DESIGN)	5G1	DISK, DIFFERENTIAL, MFWD, STANDARD, (ASN 000001-000747; 800001-)
	70 - 42		54 - 38
7E23	CYLINDER, LIFT (90 MM) (LATE DESIGN)	3G20	DOME LIGHT
	70 - 43	3G20	DOME LIGHT SWITCH
6D20	CYLINDER, STEERING (ADJUSTABLE AXLE)	3E13	DOME LIGHT(EUROPEAN VERSION)(TSN -009999)
	60 - 16		40 - 18
6D22	CYLINDER, STEERING (ADJUSTABLE AXLE)	3E15	DOME LIGHT(EUROPEAN VERSION)(TSN 010000-)
	60 - 17B		40 - 20
6D23	CYLINDER, STEERING (MFWD)	3E9	DOME LIGHT(NORTH AMERICAN VERSION)(TSN -009999)
	60 - 18		40 - 14
6D25	CYLINDER, STEERING (MFWD) (LATE DESIGN).....	3E11	DOME LIGHT(NORTH AMERICAN VERSION)(TSN 010000-)
	60 - 21		40 - 16
6E1	CYLINDER, STEERING (MFWD) (LATE DESIGN).....	3E17	DOME LIGHT(UKRAINIAN VERSION)
	60 - 21A	3G21	DOME SWITCH,DOOR
6E2	CYLINDER, STEERING (MFWD) (LATE DESIGN).....	9F6	DOOR HANDLE
	60 - 21B	9F6	DOOR HANDRAIL
7H13	CYLINDERS, PICK-UP HITCH (EUROPEAN VERSION).....	9F6	DOOR LATCH
	70 - 106	3E13	DOOR LIGHT SWITCH(EUROPEAN VERSION)(TSN -009999)
			40 - 18
	D	3E15	DOOR LIGHT SWITCH(EUROPEAN VERSION)(TSN 010000-)
1G1	DAMPER KEY (6081) (LATE TSN-81,82,8300).....		40 - 20
	20 - 55		
1H15	DAMPER KEY (8400).....		
	20 - 93		
1E11	DAMPER, CRANKSHAFT (6076)		
	20 - 17		
1H14	DAMPER, CRANKSHAFT (6081)		
	20 - 92		
1F25	DAMPER, CRANKSHAFT (6081) (LATE TSN-81,82,8300).....		
	20 - 54		
8G15	DECAL, A/C FILTER SERVICE		
	80 - 62		
8G13	DECAL, FIRST SCV.....		
	80 - 60		
8G15	DECAL, SCV COUPLER		
	80 - 62		
8G13	DECAL, SECOND SCV		
	80 - 60		
8G7	DECALS (8100, 8200)(-009999)		
	80 - 54		
8G8	DECALS (8300, 8400)(-009999)		
	80 - 55		

ALPHABETICAL INDEX - CONTINUED

GRID		PAGE	GRID		PAGE
3E9	DOOR LIGHT SWITCH(NORTH AMERICAN VERSION)(TSN -009999)	40 - 14	8H17	DUCT,AIR CIRCULATION	90 - 14
3E11	DOOR LIGHT SWITCH(NORTH AMERICAN VERSION)(TSN 010000-)	40 - 16	8H16	DUCT,PRESSURIZER BLOWER MOTOR	90 - 13
3E17	DOOR LIGHT SWITCH(UKRAINIAN VERSION).....	40 - 22	E		
9F6	DOOR, LEFT-HAND (NORTH AMERICAN VERSION).....	91 - 50	2E24	E.C.U. (6076)	30 - 38
9F8	DOOR, LEFT-HAND, LATE DESIGN.....	91 - 52	2F9	E.C.U. (6081) (LATE TSN-8100,8200,8300).....	30 - 48
9F10	DOOR, LEFT-HAND, LATE DESIGN.....	91 - 53A	2F11	E.C.U. (6081) (LATE TSN-8100,8200,8300).....	30 - 49A
9F2	DOOR, RIGHT-HAND OPENING (EUROPEAN VERSION).....	91 - 47	2F21	E.C.U. (8400)	30 - 58
7F13	DRAFT LINK (EUROPEAN VERSION)	70 - 58	3F2	ELECTRICAL ADAPTER(TSN -009999)	40 - 32
7F9	DRAFT LINK (NORTH AMERICAN VERSION).....	70 - 54	3F3	ELECTRICAL ADAPTER(TSN 010000-)	40 - 33
7F12	DRAFT LINK BUMPER	70 - 57	4E13	ELECTRICAL CONNECTOR	43 - 8
7E12	DRAFT LINK POTENTIOMETER.....	70 - 32	4E6	ELECTRICAL CONNECTORS AND TERMINALS KIT	43 - 1
7F16	DRAFT LINK RELEASE CABLE (EUROPEAN VERSION).....	70 - 61	3H23	ELECTRICAL JUNCTION BLOCK.....	40 - 104
7E12	DRAFT LINK SUPPORT	70 - 32	3E21	ELECTRICAL JUNCTION BLOCK(CAB POWER)	40 - 26
7I17	DRAIN LINE, SELECTIVE CONTROL VALVE	70 - 136	3E13	ELECTRICAL JUNCTION BLOCK(EUROPEAN VERSION)(TSN -009999)	40 - 18
7G21	DRAWBAR CLEVIS (EUROPEAN VERSION)	70 - 92	3E15	ELECTRICAL JUNCTION BLOCK(EUROPEAN VERSION)(TSN 010000-)	40 - 20
7G7	DRAWBAR CLEVIS (NORTH AMERICAN VERSION) (LATE DESIGN)	70 - 76	3E9	ELECTRICAL JUNCTION BLOCK(NORTH AMERICAN VERSION)(TSN -009999)	40 - 14
7G15	DRAWBAR CLEVIS (NORTH AMERICAN VERSION) (LATE DESIGN)	70 - 84	3E11	ELECTRICAL JUNCTION BLOCK(NORTH AMERICAN VERSION)(TSN 010000-).....	40 - 16
7G13	DRAWBAR CLEVIS (NORTH AMERICAN VERSION) (8400) (EARLY DESIGN).....	70 - 82	3E1	ELECTRICAL JUNCTION BLOCK(TSN -009999).....	40 - 8
7G5	DRAWBAR CLEVIS (8100, 8200, 8300) (EARLY DESIGN).....	70 - 74	3E3	ELECTRICAL JUNCTION BLOCK(TSN -009999).....	40 - 9A
7G3	DRAWBAR FRONT SUPPORT (8100,8200,8300)	70 - 72	3F16	ELECTRICAL JUNCTION BLOCK(TSN -009999).....	40 - 48
7G9	DRAWBAR FRONT SUPPORT (8400)	70 - 78	3E7	ELECTRICAL JUNCTION BLOCK(TSN 010000-)	40 - 12
7G19	DRAWBAR KIT, REVERSIBLE (EUROPEAN VERSION).....	70 - 90	3F18	ELECTRICAL JUNCTION BLOCK(TSN 010000-)	40 - 50
7G3	DRAWBAR RETAINER (8100,8200,8300).....	70 - 72	3E17	ELECTRICAL JUNCTION BLOCK(UKRAINIAN VERSION).....	40 - 22
7G9	DRAWBAR RETAINER (8400).....	70 - 78	3F10	ELECTRICAL JUNCTION BLOCK,CAB.....	40 - 41
7G5	DRAWBAR STRAP (8100,8200,8300) (EARLY DESIGN).....	70 - 74	3F2	ELECTRICAL JUNCTION BLOCK,FIELD OFFICE(TSN -009999).....	40 - 32
7H17	DRAWBAR, PICK-UP HITCH (EUROPEAN VERSION).....	70 - 110	3F3	ELECTRICAL JUNCTION BLOCK,FIELD OFFICE(TSN 010000-)	40 - 33
7G17	DRAWBAR, REGULAR (EUROPEAN VERSION).....	70 - 88	3F15	ELECTRICAL PLUG,CONVENIENCE OUTLET SOCKET	40 - 46
7G3	DRAWBAR, REGULAR (8100,8200,8300).....	70 - 72	3F12	ELECTRICAL PLUG,7-TERMINAL OUTLET(NORTH AMERICAN VERSION)	40 - 43
7G9	DRAWBAR, REGULAR (8400)	70 - 78	4E13	ELECTRICAL TERMINAL.....	43 - 8
9G1	DRAWER	92 - 12	3F12	ELECTRICAL 7- TERMINAL OUTLET(NORTH AMERICAN VERSION)	40 - 43
9G1	DRAWER W/LATCH.....	92 - 12	3F13	ELECTRICAL 7-TERMINAL OUTLET SOCKET(EUROPEAN VERSION).....	40 - 44
1E12	DRIVE GEAR, OIL PUMP (6076) (EARLY TSN 8100,8200,8300)	20 - 18	2E24	ELECTRONIC CONTROL UNIT (6076).....	30 - 38
1G1	DRIVE GEAR, OIL PUMP (6081) (LATE TSN-81,82,8300).....	20 - 55	2F9	ELECTRONIC CONTROL UNIT (6081) (LATE TSN-8100,8200,8300).....	30 - 48
1H15	DRIVE GEAR, OIL PUMP (8400)	20 - 93	2F11	ELECTRONIC CONTROL UNIT (6081) (LATE TSN-8100,8200,8300).....	30 - 49A
4G15	DRIVE SHAFT ASSEMBLY	51 - 44	2F21	ELECTRONIC CONTROL UNIT (8400).....	30 - 58
1119	DRIVE, FAN	20 - 122	2E24	ELECTRONIC FUEL INJECTION PUMP (6076)	30 - 38
1123	DRIVE, FAN	20 - 126	2F21	ELECTRONIC FUEL INJECTION PUMP (8400)	30 - 58
1121	DRIVE, FAN (8100,8200 010000-)	20 - 124	2F9	ELECTRONIC FUEL INJECTION PUMP (6081) (LATE TSN-8100,8200,8300).....	30 - 48
5F9	DRIVE, FINAL.....	54 - 20	2F11	ELECTRONIC FUEL INJECTION PUMP (6081) (LATE TSN-8100,8200,8300).....	30 - 49A
5F22	DRIVE, FINAL.....	54 - 34	8G12	EMBLEM, LEAPING DEERE	80 - 59
5G5	DRIVE, FINAL.....	54 - 42	8G5	EMBLEM, SLOW MOVING VEHICLE	80 - 52
7D10	DRIVE, HYDRAULIC PUMP.....	70 - 2	7H19	END COVER, SELECTIVE CONTROL VALVE.....	70 - 113
5E15	DRIVE, SPUR GEAR	54 - 2	3G13	ENGINE CONTROL UNIT(ECU)	40 - 70
5F12	DRIVE, SPUR GEAR	54 - 24	3G15	ENGINE CONTROL UNIT(ECU)	40 - 72
1J1	DRIVE,FAN (8100,8200 010000-)	20 - 128	3E5	ENGINE CONTROL UNIT(ECU)(TSN 010000-)	40 - 10
5F11	DRIVELINE SHIELD	54 - 22			
5D5	DRUM, CLUTCH.....	53 - 2			
5D7	DRUM, CLUTCH.....	53 - 4			
4G5	DRUM, OUTPUT SHAFT	51 - 34			
4G7	DRUM, OUTPUT SHAFT	51 - 36			
4I9	DRUM, OUTPUT SHAFT	51 - 86			
4I11	DRUM, OUTPUT SHAFT	51 - 88			
8F1	DUAL HUB EXTENSION (10-BOLT HUB ONLY).....	80 - 21			

ALPHABETICAL INDEX - CONTINUED

GRID		PAGE	GRID		PAGE
3G13	ENGINE CONTROLLER(ECU).....	40 - 70	2E10	ETHER STARTING FITTINGS (6076).....	30 - 28
3G15	ENGINE CONTROLLER(ECU).....	40 - 72	8H19	EVAPORATOR/HEATER CORE	90 - 16
1F1	ENGINE COOLANT HEATER (220V)	20 - 32	2D20	EXHAUST MANIFOLD (6076)	
1E24	ENGINE COOLANT HEATER (6076)	20 - 30		(EARLY TSN - 8100,8200,8300).....	30 - 12
1D14	ENGINE OIL (TORQ-GARD)	20 - 1	2D20	EXHAUST MANIFOLD GASKETS (6076)	
1E22	ENGINE OIL COOLER (6076).....	20 - 28		(EARLY TSN - 8100,8200,8300).....	30 - 12
1G14	ENGINE OIL COOLER (8100, 8200, 8300)		2D24	EXHAUST MANIFOLD GASKETS (6081)	
	(LATE TSN)	20 - 66		(LATE TSN-8100,8200,8300).....	30 - 16
1I4	ENGINE OIL COOLER (8400).....	20 - 107	2E4	EXHAUST MANIFOLD GASKETS (8400)	30 - 21
1E10	ENGINE OIL DIPSTICK (6076)		2D24	EXHAUST MANIFOLDS (6081)	
	(EARLY TSN-8100,8200,8300)	20 - 16		(LATE TSN-8100,8200,8300).....	30 - 16
1H13	ENGINE OIL DIPSTICK (6081)	20 - 91	2E4	EXHAUST MANIFOLDS (8400)	30 - 21
1F24	ENGINE OIL DIPSTICK (6081)		2E6	EXHAUST PIPE	30 - 24
	(LATE TSN-81,82,8300).....	20 - 53	8F11	EXHAUST PIPE SHIELD	80 - 32
1E10	ENGINE OIL DIPSTICK TUBE (6076)		2E5	EXHAUST SHIELDS.....	30 - 23
	(EARLY TSN-8100,8200,8300)	20 - 16	1D17	EXHAUST VALVE SHIELD (6076)	
1H13	ENGINE OIL DIPSTICK TUBE (6081).....	20 - 91		(EARLY TSN-8100,8200,8300)	20 - 4
1F24	ENGINE OIL DIPSTICK TUBE (6081)		1F10	EXHAUST VALVE SHIELD (6081)	
	(LATE TSN-81,82,8300).....	20 - 53		(LATE TSN-8100,8200,8300).....	20 - 40
1E22	ENGINE OIL FILTER (6076)	20 - 28	1G22	EXHAUST VALVE SHIELD (8400)	20 - 76
1G15	ENGINE OIL FILTER (6081)		1D17	EXHAUST VALVES (6076)	
	(LATE TSN-8100,8200,8300).....	20 - 68		(EARLY TSN-8100,8200,8300)	20 - 4
1I1	ENGINE OIL FILTER (8400)	20 - 104	1F10	EXHAUST VALVES (6081)	
1E20	ENGINE OIL PUMP (6076)	20 - 26		(LATE TSN-8100,8200,8300).....	20 - 40
1G10	ENGINE OIL PUMP (6081)		1G22	EXHAUST VALVES (8400)	20 - 76
	(LATE TSN-81,82,8300).....	20 - 62	8H19	EXPANSION VALVE,HEATER AND A/C	90 - 16
1H23	ENGINE OIL PUMP (8400)	20 - 102	8F5	EXTENSION, ADJUSTABLE FRONT AXLE (8100,	
1E19	ENGINE OIL PUMP INTAKE (6076)			8200, 8300)	80 - 26
	(EARLY TSN-8100,8200,8300)	20 - 25	8F1	EXTENSION, DUAL HUB (10-BOLT HUB ONLY)	80 - 21
1G12	ENGINE OIL PUMP INTAKE (6081)		8F13	EXTENSION, HOOD.....	80 - 34
	(LATE TSN-8100,8200,8300).....	20 - 64	9E9	EXTENSION, REAR FENDER (EUROPEAN	
1H22	ENGINE OIL PUMP INTAKE (8400)	20 - 101		VERSION).....	91 - 28
1F21	ENGINE OVERHAUL KIT (6081)		7F11	EXTENSION, SWAY BLOCK.....	70 - 56
	(LATE TSN-81,82,8300).....	20 - 50	4E1	EXTREMITY WARNING LAMP ARM KIT(027100-).....	42 - 22
1H10	ENGINE OVERHAUL KIT (8400).....	20 - 88	4E1	EXTREMITY WARNING LAMP ARM(027100-)	42 - 22
1F7	ENGINE REBUILD GASKET KIT		4D24	EXTREMITY WARNING LAMP BRACKET(-027099).....	42 - 20
	(6076)	20 - 38	4E1	EXTREMITY WARNING LAMP BRACKET(027100-).....	42 - 22
1I8	ENGINE REBUILD GASKET KIT (6081).....	20 - 110	4E1	EXTREMITY WARNING LAMP BULB(027100-)	42 - 22
1G20	ENGINE REBUILD GASKET KIT (6081)		4D24	EXTREMITY WARNING LAMP KIT(-027099)	42 - 20
	(LATE TSN-8100,8200,8300).....	20 - 74	4E1	EXTREMITY WARNING LAMP REFLECTOR LABEL(0	
8F11	ENGINE SIDE PANEL	80 - 32		27100-)	42 - 22
8F19	ENGINE SIDE SHIELDS	80 - 40	4E1	EXTREMITY WARNING LAMP SHIELD(027100-)	42 - 22
3F22	ENGINE SPEED CONTROL		4E1	EXTREMITY WARNING LAMP WIRING HARNESS(02	
	POTENTIOMETER(ARMREST).....	40 - 54		7100-)	42 - 22
3F22	ENGINE SPEED CONTROL BRACKET(ARMREST)	40 - 54	4E1	EXTREMITY WARNING LAMP(027100-).....	42 - 22
3F22	ENGINE SPEED CONTROL GEAR(ARMREST).....	40 - 54			
3F22	ENGINE SPEED CONTROL KNOB(ARMREST).....	40 - 54			
3F22	ENGINE SPEED CONTROL LEVER(ARMREST).....	40 - 54			
1E18	ENGINE SPEED SENSOR (6076)				
	(EARLY TSN-8100,8200,8300)	20 - 24			
1H21	ENGINE SPEED SENSOR (6081).....	20 - 99			
1G9	ENGINE SPEED SENSOR (6081)				
	(LATE TSN-81,82,8300).....	20 - 61			
3E1	ENGINE SPEED SENSOR(TSN -009999)	40 - 8			
3E3	ENGINE SPEED SENSOR(TSN -009999)	40 - 9A			
3E7	ENGINE SPEED SENSOR(TSN 010000-).....	40 - 12			
1E7	ENGINE UNDERHAUL KIT (6076)	20 - 13E			
3F20	ENGINE WATER TEMPERATURE GAUGE	40 - 52			
2E8	ETHER	30 - 26			
2E13	ETHER AID BRACKET (6076).....	30 - 29B			
2E12	ETHER AID BRACKET (6081)				
	(LATE TSN-8100,8200,8300).....	30 - 29A			
2E11	ETHER AID BRACKET (8400 TRACTOR)	30 - 29			
3F21	ETHER AID SWITCH.....	40 - 53			
2D21	ETHER NOZZLE (6081)				
	(LATE TSN-8100,8200,8300).....	30 - 13			
2D25	ETHER NOZZLE (8400).....	30 - 17			

F

1I19	FAN	20 - 122
1I23	FAN	20 - 126
1I19	FAN DRIVE.....	20 - 122
1I23	FAN DRIVE.....	20 - 126
1I21	FAN DRIVE (8100,8200 010000-)	20 - 124
1J1	FAN DRIVE (8100,8200 010000-)	20 - 128
8F25	FENDER SUPPORT.....	80 - 46
8F25	FENDER SUPPORT BRACKET.....	80 - 46
8F25	FENDER SUPPORT KIT	80 - 46
9D19	FENDER UPHOLSTERY, L.H. (CAB)	91 - 14
8F23	FENDER, FRONT (MFWD)	80 - 44
8F23	FENDER, FRONT (600/65 R28 TIRES)	80 - 44
9E9	FENDER, REAR (EUROPEAN VERSION)	91 - 28
3E13	FIELD CRUISE CONTROL(EUROPEAN	
	VERSION)(TSN -009999)	40 - 18
3E15	FIELD CRUISE CONTROL(EUROPEAN	
	VERSION)(TSN 010000-).....	40 - 20

ALPHABETICAL INDEX - CONTINUED

GRID		PAGE	GRID		PAGE
3E9	FIELD CRUISE CONTROL(NORTH AMERICAN VERSION)(-009999)	40 - 14	3E17	FLOOD LIGHTS,REAR FENDER(UKRAINIAN VERSION).....	40 - 22
3E11	FIELD CRUISE CONTROL(NORTH AMERICAN VERSION)(TSN 010000-).....	40 - 16	3E19	FLOOD LIGHTS,REAR ROOF.....	40 - 24
3E17	FIELD CRUISE CONTROL(UKRAINIAN VERSION).....	40 - 22	9D11	FLOOR (CAB).....	91 - 6
9D21	FIELD OFFICE	91 - 16	9D13	FLOOR MAT	91 - 8
3F2	FIELD OFFICE JUNCTION BLOCK,ELECTRICAL(TSN -009999)	40 - 32	1E13	FLYWHEEL (6076) (EARLY TSN 8100,8200,8300)	20 - 19
3F3	FIELD OFFICE JUNCTION BLOCK,ELECTRICAL,(TSN 010000-)	40 - 33	1G4	FLYWHEEL (6081) (LATE TSN-8100,8200,8300).....	20 - 56
3F2	FIELD OFFICE WIRING HARNESS(TSN -009999)	40 - 32	1H16	FLYWHEEL (8400).....	20 - 94
3F3	FIELD OFFICE WIRING HARNESS(TSN 010000-).....	40 - 33	1J4	FLYWHEEL COVER.....	20 - 131
3117	FIELD WINDING COIL,STARTING MOTOR (8100,8200,8300,8400).....	41 - 6	1D21	FOLLOWER, CAMSHAFT (6076) (EARLY TSN 8100,8200,8300)	20 - 8
715	FIFTH REMOTE CYLINDER CONTROL KIT	70 - 124	1D22	FOLLOWER, CAMSHAFT (6076) (EARLY TSN-8100,8200,8300)	20 - 9
1E22	FILTER, ENGINE OIL (6076).....	20 - 28	1F15	FOLLOWER, CAMSHAFT (6081) (LATE TSN-8100,8200,8300).....	20 - 44
1G15	FILTER, ENGINE OIL (6081) (LATE TSN-8100,8200,8300).....	20 - 68	1F16	FOLLOWER, CAMSHAFT (6081) (LATE TSN-8100,8200,8300).....	20 - 45
111	FILTER, ENGINE OIL (8400).....	20 - 104	1H2	FOLLOWER, CAMSHAFT (8400)	20 - 80
2E18	FILTER, FUEL (6076).....	30 - 32	1H3	FOLLOWER, CAMSHAFT (8400)	20 - 81
2E20	FILTER, FUEL (6076).....	30 - 34	3G17	FOOT THROTTLE	40 - 73
2F5	FILTER, FUEL (6081) (LATE TSN-8100,8200,8300).....	30 - 44	3G17	FOOT THROTTLE KIT	40 - 73
2G2	FILTER, FUEL (6081) (8400)	30 - 66	3G17	FOOT THROTTLE SENSOR	40 - 73
2G4	FILTER, FUEL (6081) (8400).....	30 - 68	9D11	FOOTREST.....	91 - 6
2E16	FILTER, PRE-FUEL (6081)	30 - 31A	715	FOURTH REMOTE CYLINDER CONTROL KIT	70 - 124
2F17	FILTER, PRE-FUEL (8400)	30 - 54	8F15	FRAME WEIGHTS (EUROPEAN VERSION)	80 - 36
1F2	FILTER, WEEP HOLE (WATER PUMP)(6076) (EARLY TSN-8100,8200,8300)	20 - 34	8F17	FRAME WEIGHTS AND FRONT WEIGHT SUPPORT	80 - 38
8H15	FILTER,FRESH AIR	90 - 12	8F9	FRAME, FRONT	80 - 30
5F9	FINAL DRIVE	54 - 20	8F18	FRAME, FRONT COVER (8100, 8200, 8300)	80 - 39
5F22	FINAL DRIVE	54 - 34	1F23	FRAME, FRONT SUMP (6081) (OIL PAN) (LATE TSN-8100,8200,8300).....	20 - 52
5G5	FINAL DRIVE	54 - 42	1H12	FRAME, FRONT SUMP (8400) (OIL PAN).....	20 - 90
5D23	FINAL DRIVE KIT, HEAVY DUTY	53 - 20	7F5	FRAME, HITCH.....	70 - 50
1D23	FITTINGS, CYLINDER BLOCK (6076) (EARLT TSN -009999)	20 - 10	8F7	FRAME, MID ASSEMBLY	80 - 28
1F17	FITTINGS, CYLINDER BLOCK (6081) (LATE TSN-81,82,8300).....	20 - 46	8H15	FRESH AIR FILTER	90 - 12
1H4	FITTINGS, CYLINDER BLOCK (8400)	20 - 82	8H15	FRESH AIR FILTER HOUSING.....	90 - 12
2E10	FITTINGS, ETHER STARTING (6076)	30 - 28	8H15	FRESH AIR FILTER HOUSING COVER.....	90 - 12
7J9	FITTINGS, IMPLEMENT HYDRAULIC OIL	70 - 152	9E22	FRONT AND REAR WIPER ASSEMBLY KIT.....	91 - 42
5D9	FITTINGS, PTO	53 - 6	8E8	FRONT AXLE CENTER	80 - 1
3F16	FLASHER(EUROPEAN VERSION)(TSN -009999)	40 - 48	8E11	FRONT AXLE FRONT PIVOT FRONT SUPPORT (MFWD)	80 - 4
3F18	FLASHER(EUROPEAN VERSION)(TSN 010000-)	40 - 50	8E13	FRONT AXLE KNEE SPINDLE KNUCKLE	80 - 6
3E17	FLOOD LAMPS,CAB UPPER MID-BODY(UKRAINIAN VERSION)	40 - 22	8E9	FRONT AXLE REAR PIVOT SUPPORT	80 - 2
3E9	FLOOD LAMPS,CAB UPPER MID-BODY(NORTH AMERICAN VERSION)(TSN -009999)	40 - 14	8F23	FRONT FENDER ASSEMBLY, MFWD	80 - 44
3E11	FLOOD LAMPS,CAB UPPER MID-BODY(NORTH AMERICAN VERSION)(TSN 010000-).....	40 - 16	8G1	FRONT FENDER SUPPORT	80 - 48
3E13	FLOOD LAMPS,UPPER MID-BODY(EUROPEAN VERSION)(TSN -009999)	40 - 18	8F9	FRONT FRAME	80 - 30
3E15	FLOOD LAMPS,UPPER MID-BODY(EUROPEAN VERSION)(TSN 010000-).....	40 - 20	8F9	FRONT FRAME AND FRONT SUPPORT.....	80 - 30
3E19	FLOOD LIGHTS,FRONT ROOF.....	40 - 24	8F18	FRONT FRAME COVER (8100, 8200, 8300)	80 - 39
3E13	FLOOD LIGHTS,REAR FENDER(EUROPEAN VERSION)(TSN -009999)	40 - 18	1F23	FRONT FRAME SUMP (6081) (OIL PAN) (LATE TSN-8100,8200,8300).....	20 - 52
3E15	FLOOD LIGHTS,REAR FENDER(EUROPEAN VERSION)(TSN 010000-).....	40 - 20	1H12	FRONT FRAME SUMP (8400) (OIL PAN).....	20 - 90
3E9	FLOOD LIGHTS,REAR FENDER(NORTH AMERICAN VERSION)(TSN -009999)	40 - 14	4D17	FRONT HEADLIGHTS BRACKET(EV)	42 - 13
3E11	FLOOD LIGHTS,REAR FENDER(NORTH AMERICAN VERSION)(TSN 010000-).....	40 - 16	4D16	FRONT HEADLIGHTS BRACKET(UNITED KINGDOM)	42 - 12
			4D17	FRONT HEADLIGHTS WIRING HARNESS(EV)	42 - 13
			1E17	FRONT OIL SEAL (6076) (EARLY TSN-8100,8200,8300)	20 - 23
			1G8	FRONT OIL SEAL (6081) (LATE TSN-8100,8200,8300).....	20 - 60
			1H20	FRONT OIL SEAL (8400 TRACTOR)	20 - 98
			3E19	FRONT ROOF FLOOD LIGHTS	40 - 24
			8F9	FRONT SUPPORT	80 - 30
			7G9	FRONT SUPPORT, DRAWBAR (8400).....	70 - 78

ALPHABETICAL INDEX - CONTINUED

GRID		PAGE	GRID		PAGE
1F6	FRONT WATER MANIFOLD (6076)	20 - 37A	2F23	FUEL INJECTION PUMP HOUSING CONNECTORS (8400)	30 - 60
1F5	FRONT WATER MANIFOLD (6076) (EARLY TSN-8100,8200,8300)	20 - 37	2E22	FUEL LEAK-OFF LINES (6076).....	30 - 36
1G19	FRONT WATER MANIFOLD (6081) (LATE TSN-8100,8200,8300).....	20 - 73	2E24	FUEL LEAK-OFF LINES (6076).....	30 - 38
1I7	FRONT WATER MANIFOLD (8400)	20 - 109	2F7	FUEL LEAK-OFF LINES (6081 ENGINE) (LATE TSN-8100,8200,8300).....	30 - 46
8F15	FRONT WEIGHT (EUROPEAN VERSION).....	80 - 36	2F9	FUEL LEAK-OFF LINES (6081) (LATE TSN-8100,8200,8300).....	30 - 48
8F17	FRONT WEIGHT SUPPORT AND FRAME WEIGHTS	80 - 38	2F11	FUEL LEAK-OFF LINES (6081) (LATE TSN-8100,8200,8300).....	30 - 49A
8E17	FRONT WHEEL	80 - 10	2F19	FUEL LEAK-OFF LINES (6081) (8400 ONLY)	30 - 56
8E19	FRONT WHEELS (MFWD).....	80 - 14	2F21	FUEL LEAK-OFF LINES (8400).....	30 - 58
9E24	FRONT WINDOW.....	91 - 44	2G6	FUEL LINES	30 - 70
3E19	FRONT WIPER MOTOR	40 - 24	3E1	FUEL SENDER(TSN -009999).....	40 - 8
2E18	FUEL CHECK VALVE (6076)	30 - 32	3E3	FUEL SENDER(TSN -009999).....	40 - 9A
2E20	FUEL CHECK VALVE (6076)	30 - 34	3E7	FUEL SENDER(TSN 010000-)	40 - 12
2F5	FUEL CHECK VALVE (6081) (LATE TSN-8100,8200,8300).....	30 - 44	2E24	FUEL SHUT-OFF SOLENOID (6076)	30 - 38
2G2	FUEL CHECK VALVE (6081) (8400)	30 - 66	2F9	FUEL SHUT-OFF SOLENOID (6081) (LATE TSN-8100,8200,8300).....	30 - 48
2G4	FUEL CHECK VALVE (6081) (8400).....	30 - 68	2F11	FUEL SHUT-OFF SOLENOID (6081) (LATE TSN-8100,8200,8300).....	30 - 49A
2E18	FUEL FILTER (6076)	30 - 32	2F21	FUEL SHUT-OFF SOLENOID (8400)	30 - 58
2E20	FUEL FILTER (6076)	30 - 34	2G8	FUEL TANK	30 - 72
2F5	FUEL FILTER (6081) (LATE TSN-8100,8200,8300).....	30 - 44	3E1	FUEL TEMPERTURE SENSOR(TSN -009999)	40 - 8
2G2	FUEL FILTER (6081) (8400)	30 - 66	3E3	FUEL TEMPERTURE SENSOR(TSN -009999)	40 - 9A
2G4	FUEL FILTER (6081) (8400)	30 - 68	3E7	FUEL TEMPERTURE SENSOR(TSN 010000-).....	40 - 12
2F5	FUEL FILTER BASE (6081) (LATE TSN-8100,8200,8300).....	30 - 44	2F2	FUEL TRANSFER PUMP (ROBERT BOSCH) (6076)	30 - 41
2G2	FUEL FILTER BASE (6081) (8400)	30 - 66	2F14	FUEL TRANSFER PUMP (ROBERT BOSCH) (6081) (LATE TSN-81,82,8300).....	30 - 51
2G4	FUEL FILTER BASE (6081) (8400).....	30 - 68	2F24	FUEL TRANSFER PUMP (ROBERT BOSCH) (8400 TRACTOR).....	30 - 61
2E18	FUEL FILTER LINES (6076) (EARLY DESIGN).....	30 - 32	4E14	FUSE TERMINAL BOARD	43 - 9
2E20	FUEL FILTER LINES (6076) (LATE DESIGN)	30 - 34	3I5	FUSE,BACK-UP ALARM	40 - 110
2G2	FUEL FILTER LINES (6081) (EARLY DESIGN) (8400).....	30 - 66	3F6	FUSE,LOAD CENTER	40 - 36
2F5	FUEL FILTER LINES (6081) (LATE TSN-8100,8200,8300).....	30 - 44		G	
2G4	FUEL FILTER LINES (6081) (8400) (LATE DESIGN ENGINE)	30 - 68	1F7	GASKET KIT, CYLINDER HEAD (6076)	20 - 38
3F20	FUEL GAUGE.....	40 - 52	1I8	GASKET KIT, CYLINDER HEAD (6081).....	20 - 110
2E22	FUEL INJ LINES (6076).....	30 - 36	1G20	GASKET KIT, CYLINDER HEAD (6081) (LATE TSN-8100,8200,8300).....	20 - 74
2F7	FUEL INJ LINES (6081 ENGINE) (LATE TSN-8100,8200,8300).....	30 - 46	1F7	GASKET KIT, ENGINE REBUILD (6076)	20 - 38
2F19	FUEL INJ LINES (6081) (8400 ONLY)	30 - 56	1I8	GASKET KIT, ENGINE REBUILD (6081)	20 - 110
2F3	FUEL INJECTION NOZZLE (NIPPONDENSO) (EARLY TSN-8100,8200,8300)	30 - 42	1G20	GASKET KIT, ENGINE REBUILD (6081) (LATE TSN-8100,8200,8300).....	20 - 74
2F15	FUEL INJECTION NOZZLE (6081) (LATE TSN-8100, 8200, 8300)	30 - 52	1F7	GASKET KIT, SHORT BLOCK (6076)	20 - 38
2F25	FUEL INJECTION NOZZLE (8400)	30 - 62	1I8	GASKET KIT, SHORT BLOCK (6081)	20 - 110
2E22	FUEL INJECTION NOZZLES (6076).....	30 - 36	1G20	GASKET KIT, SHORT BLOCK (6081) (LATE TSN-8100,8200,8300).....	20 - 74
2F7	FUEL INJECTION NOZZLES (6081 ENGINE) (LATE TSN-8100,8200,8300).....	30 - 46	1D17	GASKET, CYLINDER HEAD (6076) (EARLY TSN-8100,8200,8300)	20 - 4
2F19	FUEL INJECTION NOZZLES (6081) (ROBERT BOSCH) (8400 ONLY)	30 - 56	1F10	GASKET, CYLINDER HEAD (6081) (LATE TSN-8100,8200,8300).....	20 - 40
2E24	FUEL INJECTION PUMP (6076)	30 - 38	1G22	GASKET, CYLINDER HEAD (8400)	20 - 76
2F9	FUEL INJECTION PUMP (6081) (LATE TSN-8100,8200,8300).....	30 - 48	1E22	GASKET, OIL COOLER (6076)	20 - 28
2F11	FUEL INJECTION PUMP (6081) (LATE TSN-8100,8200,8300).....	30 - 49A	1I1	GASKET, OIL FILTER HOUSING (8400)	20 - 104
2F21	FUEL INJECTION PUMP (8400)	30 - 58	1E22	GASKET, OIL FILTER HOUSING (6076)	20 - 28
2F1	FUEL INJECTION PUMP HOUSING CONNECTOR (6076)	30 - 40	1G15	GASKET, OIL FILTER HOUSING (6081) (LATE TSN-8100,8200,8300).....	20 - 68
2F13	FUEL INJECTION PUMP HOUSING CONNECTORS (6081) (LATE TSN-8100,8200,8300).....	30 - 50			

ALPHABETICAL INDEX - CONTINUED

GRID		PAGE	GRID		PAGE
1E9	GASKET, OIL PAN (6076) (EARLY TSN 8100,8200,8300)	20 - 15	1F16	GEAR, CAMSHAFT (6081) (LATE TSN-8100,8200,8300).....	20 - 45
1F23	GASKET, OIL PAN (6081) (LATE TSN-8100,8200,8300).....	20 - 52	1H3	GEAR, CAMSHAFT (8400)	20 - 81
1H12	GASKET, OIL PAN (8400)	20 - 90	4G1	GEAR, COUNTERSHAFT	51 - 30
1G10	GASKET, OIL PUMP (6081) (LATE TSN-81,82,8300).....	20 - 62	4I5	GEAR, COUNTERSHAFT	51 - 82
1H23	GASKET, OIL PUMP (8400)	20 - 102	2E24	GEAR, INJECTION PUMP (6076)	30 - 38
1G12	GASKET, OIL PUMP INTAKE (LATE TSN-8100,8200,8300).....	20 - 64	2F9	GEAR, INJECTION PUMP (6081) (LATE TSN-8100,8200,8300).....	30 - 48
1E19	GASKET, OIL PUMP INTAKE (6076) (EARLT TSN-8100,8200,8300)	20 - 25	2F11	GEAR, INJECTION PUMP (6081) (LATE TSN-8100,8200,8300).....	30 - 49A
1H22	GASKET, OIL PUMP INTAKE (8400)	20 - 101	2F21	GEAR, INJECTION PUMP (8400)	30 - 58
1G7	GASKET, REAR OIL SEAL (6081) (LATE TSN-8100,8200,8300).....	20 - 59	1E20	GEAR, OIL PUMP (6076).....	20 - 26
1H19	GASKET, REAR OIL SEAL (8400)	20 - 97	1E12	GEAR, OIL PUMP DRIVE (6076) (EARLY TSN 8100,8200,8300)	20 - 18
1G24	GASKET, ROCKER ARM COVER (ESN -018791)(8400)	20 - 78	1G1	GEAR, OIL PUMP DRIVE (6081) (LATE TSN-81,82,8300).....	20 - 55
1G25	GASKET, ROCKER ARM COVER (ESN 018792-) (8400).....	20 - 78A	1G10	GEAR, OIL PUMP DRIVE (6081) (LATE TSN-81,82,8300).....	20 - 62
1D19	GASKET, ROCKER ARM COVER (6076) (EARLY TSN-8100,8200,8300)	20 - 6	1H15	GEAR, OIL PUMP DRIVE (8400)	20 - 93
1F12	GASKET, ROCKER ARM COVER (6081) (LATE TSN-8100,8200,8300).....	20 - 42	1H23	GEAR, OIL PUMP DRIVE (8400)	20 - 102
1F13	GASKET, ROCKER ARM COVER (6081) (LATE TSN-8100,8200,8300).....	20 - 42A	4G5	GEAR, OUTPUT SHAFT	51 - 34
1E17	GASKET, TIMING GEAR COVER (6076) (EARLY TSN-8100,8200,8300)	20 - 23	4G7	GEAR, OUTPUT SHAFT	51 - 36
1G8	GASKET, TIMING GEAR COVER (6081) (LATE TSN-8100,8200,8300).....	20 - 60	4I9	GEAR, OUTPUT SHAFT	51 - 86
1H20	GASKET, TIMING GEAR COVER (8400 TRACTOR)	20 - 98	4I11	GEAR, OUTPUT SHAFT	51 - 88
2D18	GASKET, TURBOCHARGER (6076) (EARLY TSN 8100,8200,8300)	30 - 10	4F21	GEAR, REVERSE IDLER.....	51 - 24
2D22	GASKET, TURBOCHARGER (6081) (LATE TSN-8100,8200,8300).....	30 - 14	4H23	GEAR, REVERSE IDLER.....	51 - 76
2E1	GASKET, TURBOCHARGER (8400)	30 - 18	1E13	GEAR, STARTER (6076) (EARLY TSN 8100,8200,8300)	20 - 19
1F6	GASKET, WATER MANIFOLD (6076).....	20 - 37A	1G4	GEAR, STARTER (6081) (LATE TSN-8100,8200,8300).....	20 - 56
1F5	GASKET, WATER MANIFOLD (6076) (EARLY TSN-8100,8200,8300)	20 - 37	1H16	GEAR, STARTER (8400)	20 - 94
1G19	GASKET, WATER MANIFOLD (6081) (LATE TSN-8100,8200,8300).....	20 - 73	3F22	GEAR,ENGINE SPEED CONTROL(ARMREST).....	40 - 54
1I7	GASKET, WATER MANIFOLD (8400).....	20 - 109	9E24	GLASS, CAB FRONT	91 - 44
1F2	GASKET, WATER PUMP (6076) (EARLY TSN-8100,8200,8300)	20 - 34	9F6	GLASS, DOOR	91 - 50
1G17	GASKET, WATER PUMP (6081) (LATE TSN-8100,8200,8300).....	20 - 70	9F2	GLASS, DOOR, RIGHT-HAND OPENING (EUROPEAN VERSION)	91 - 47
1I5	GASKET, WATER PUMP (8400).....	20 - 108	9F1	GLASS, STATIONARY RIGHT-HAND GLASS	91 - 46
2D20	GASKETS, EXHAUST MANIFOLD (6076) (EARLY TSN - 8100,8200,8300)	30 - 12	7I3	GLYD RING KIT, SCV SOLENOID	70 - 122
2D24	GASKETS, EXHAUST MANIFOLD (6081) (LATE TSN-8100,8200,8300).....	30 - 16	8F10	GRILLE SCREEN	80 - 31
2E4	GASKETS, EXHAUST MANIFOLD (8400)	30 - 21	3H18	GRILLE,RADIO SPEAKER.....	40 - 98
2D16	GASKETS, INTAKE MANIFOLD (6076)	30 - 8	3F24	GUIDE,SHIFT LEVER(ARMREST).....	40 - 56
2D21	GASKETS, INTAKE MANIFOLD (6081) (LATE TSN-8100,8200,8300).....	30 - 13	H		
2D25	GASKETS, INTAKE MANIFOLD (8400)	30 - 17	9F6	HANDLE, DOOR.....	91 - 50
5E9	GAUGE, OIL FILL.....	53 - 32	9F6	HANDRAIL, DOOR	91 - 50
3F20	GAUGE,ENGINE WATER TEMPERATURE	40 - 52	9E13	HANDRAIL, LEFT HAND	91 - 32
3F20	GAUGE,FUEL	40 - 52	9F3	HANDRAIL, RIGHT-HAND (OPENING R.H.DOOR)	91 - 47A
3I3	GEAR PUMP HEATER BRACKET(EUROPEAN VERSION).....	40 - 108	2E24	HARNES, WIRING (6076)	30 - 38
3I3	GEAR PUMP HEATER(EUROPEAN VERSION)	40 - 108	2F9	HARNES, WIRING (6081) (LATE TSN-8100,8200,8300).....	30 - 48
3I1	GEAR PUMP HEATER(NORTH AMERICAN VERSION).....	40 - 106	2F11	HARNES, WIRING (6081) (LATE TSN-8100,8200,8300).....	30 - 49A
1D22	GEAR, CAMSHAFT (6076) (EARLY TSN-8100,8200,8300)	20 - 9	2F21	HARNES, WIRING (8400)	30 - 58
			1D17	HEAD BOLT KIT (6076) (EARLY TSN-8100,8200,8300)	20 - 4
			1F10	HEAD BOLT KIT (6081) (LATE TSN-8100,8200,8300).....	20 - 40
			1G22	HEAD BOLT KIT (8400).....	20 - 76
			1D17	HEAD BOLTS (6076) (EARLY TSN-8100,8200,8300)	20 - 4
			1D17	HEAD, CYLINDER (6076) (EARLY TSN-8100,8200,8300)	20 - 4
			1F10	HEAD, CYLINDER (6081) (LATE TSN-8100,8200,8300).....	20 - 40
			1G22	HEAD, CYLINDER (8400)	20 - 76

ALPHABETICAL INDEX - CONTINUED

GRID		PAGE	GRID		PAGE
8F14	HEADLIGHT HOUSING	80 - 35	7H9	HITCH CONTROLS, WAGON (EUROPEAN VERSION).....	70 - 102
4D15	HEADLIGHT,HOOD	42 - 11	7H3	HITCH COUPLING, WAGON (EUROPEAN VERSION).....	70 - 98
3E7	HEADLIGHTS(LEFT-HAND TRAFFIC),UNITED KIN GDOM(TSN 010000-)	40 - 12	7F5	HITCH FRAME	70 - 50
4D16	HEADLIGHTS(LEFT-HAND TRAFFIC)UNITED KING DOM)	42 - 12	7G1	HITCH KIT (W/O LIFT CYLINDERS).....	70 - 70
4D17	HEADLIGHTS(RIGHT-HAND TRAFFIC)(EV).....	42 - 13	3G1	HITCH RAISE LIMIT POTENTIOMETER(ARMREST)	40 - 58
3E1	HEADLIGHTS(RIGHT-HAND TRAFFIC),EUROPEAN(TSN -009999)	40 - 8	3G1	HITCH RAISE/LOWER SWITCH(ARMREST)	40 - 58
3E3	HEADLIGHTS(RIGHT-HAND TRAFFIC),EUROPEAN(TSN -009999).....	40 - 9A	3G1	HITCH RATE OF DROP POTENTIOMETER(ARMREST).....	40 - 58
3E7	HEADLIGHTS(RIGHT-HAND TRAFFIC),EUROPEAN(TSN 010000-)	40 - 12	7F5	HITCH SIGHT GAUGE.....	70 - 50
3E1	HEADLIGHTS(TSN -009999)	40 - 8	7J5	HITCH STABILIZER (EUROPEAN VERSION) (EARLY DESIGN).....	70 - 148
3E3	HEADLIGHTS(TSN -009999)	40 - 9A	7J7	HITCH STABILIZER (EUROPEAN VERSION) (LATE DESIGN)	70 - 150
3E7	HEADLIGHTS(TSN 010000-)	40 - 12	3G1	HITCH SWITCH KNOB(ARMREST)	40 - 58
3E1	HEADLIGHTS,(LEFT-HAND TRAFFIC),UNITED KI NGDOM(TSN -009999)	40 - 8	7I7	HITCH VALVE	70 - 126
3E3	HEADLIGHTS,(LEFT-HAND TRAFFIC),UNITED KI NGDOM(TSN -009999)	40 - 9A	7I9	HITCH VALVE	70 - 128
9E1	HEADLINER	91 - 20	7I11	HITCH VALVE OVERHAUL KIT	70 - 130
9E1	HEADLINER SUPPORTS.....	91 - 20	7I13	HITCH VALVE RELIEF VALVE	70 - 132
8H19	HEATER AND A/C BLOWER MOTOR	90 - 16	7H11	HITCH, PICK-UP (EUROPEAN VERSION) (EARLY DESIGN).....	70 - 104
8H19	HEATER AND A/C BLOWER MOTOR IMPELLER	90 - 16	8F11	HOOD	80 - 32
8H21	HEATER AND A/C COMPARTMENT COVER	90 - 18	8F13	HOOD EXTENSION	80 - 34
8H21	HEATER AND A/C COMPARTMENT SEAL	90 - 18	4D15	HOOD HEADLIGHT	42 - 11
8H19	HEATER AND A/C EXPANSION VALVE	90 - 16	7F15	HOOK, CENTER LINK TRANSPORT (EUROPEAN VERSION).....	70 - 60
8H19	HEATER AND A/C HOUSING	90 - 16	9E6	HOOK, CLOTHES.....	91 - 25
8H19	HEATER AND A/C RESISTOR	90 - 16	3H1	HORN(-026686).....	40 - 82
8H19	HEATER AND A/C THERMOSTAT	90 - 16	3E1	HORN(TSN -009999)	40 - 8
8H13	HEATER HOSE	90 - 10	3E3	HORN(TSN -009999)	40 - 9A
8H13	HEATER HOSE CLAMP	90 - 10	3E7	HORN(TSN 010000-)	40 - 12
1F1	HEATER, ENGINE COOLANT (220V).....	20 - 32	3H2	HORN(026687-).....	40 - 82A
1E24	HEATER, ENGINE COOLANT (6076).....	20 - 30	7J11	HOSE IDENTIFICATION KIT	70 - 154
311	HEATER,COLD WEATHER START(NORTH AMERICAN VERSION)	40 - 106	1I10	HOSE, RADIATOR	20 - 112
313	HEATER,GEAR PUMP(EUROPEAN VERSION).....	40 - 108	8H13	HOSE,HEATER.....	90 - 10
311	HEATER,GEAR PUMP(NORTH AMERICAN VERSION).....	40 - 106	5F1	HOUSING	54 - 14
313	HEATER,TRANSMISSION(EUROPEAN VERSION)	40 - 108	5F3	HOUSING	54 - 16
311	HEATER,TRANSMISSION(NORTH AMERICAN VERSION).....	40 - 106	5F24	HOUSING	54 - 36
5D23	HEAVY DUTY FINAL DRIVE KIT	53 - 20	2F1	HOUSING CONNECTORS, FUEL INJECTION PUMP (6076)	30 - 40
9F4	HINGE ASSEMBLY, REAR WINDOW.....	91 - 48	2F13	HOUSING CONNECTORS, FUEL INJECTION PUMP (6081) (LATE TSN-8100,8200,8300).....	30 - 50
7G23	HITCH BRACKETS, WAGON (EUROPEAN VERSION) (EARLY DESIGN)	70 - 94	2F23	HOUSING CONNECTORS, FUEL INJECTION PUMP (8400)	30 - 60
7H1	HITCH BRACKETS, WAGON (EUROPEAN VERSION) (LATE DESIGN).....	70 - 96	5E23	HOUSING, AXLE	54 - 12
3G9	HITCH COMMAND POTENTIOMETER(ARMREST).....	40 - 66	5D15	HOUSING, DIFFERENTIAL COVER	53 - 12
3G19	HITCH CONTROL LABEL(EUROPEAN VERSION)	40 - 75	5E19	HOUSING, DIFFERENTIAL SET (MFWD)	54 - 6
3G18	HITCH CONTROL LABEL(NORTH AMERICAN VERSION).....	40 - 74	8F14	HOUSING, HEADLIGHT.....	80 - 35
3G1	HITCH CONTROL LEVER POTENTIOMETER(ARMREST)	40 - 58	5D11	HOUSING, INPUT.....	53 - 8
3G19	HITCH CONTROL SWITCH (EUROPEAN VERSION)	40 - 75	1E22	HOUSING, OIL COOLER AND FILTER (6076)	20 - 28
3G18	HITCH CONTROL SWITCH BRACKET(NORTH AMERICAN VERSION).....	40 - 74	1G15	HOUSING, OIL FILTER (6081) (LATE TSN-8100,8200,8300).....	20 - 68
3G18	HITCH CONTROL SWITCH(NORTH AMERICAN VERSION)	40 - 74	1I1	HOUSING, OIL FILTER (8400)	20 - 104
3E23	HITCH CONTROL UNIT(HCU)	40 - 28	4G9	HOUSING, PTO	51 - 38
3G13	HITCH CONTROL UNIT(HCU)	40 - 70	4I13	HOUSING, PTO	51 - 90
3G15	HITCH CONTROL UNIT(HCU)	40 - 72	5E1	HOUSING, PTO	53 - 24
3E5	HITCH CONTROL UNIT(HCU)(TSN 010000-).....	40 - 10	5E3	HOUSING, PTO	53 - 26
3E23	HITCH CONTROLLER	40 - 28	5E5	HOUSING, PTO	53 - 28
3G13	HITCH CONTROLLER(HCU/SCU).....	40 - 70	1E16	HOUSING, REAR OIL SEAL (6076) (EARLY TSN 8100, 8200, 8300).....	20 - 22
3G15	HITCH CONTROLLER(HCU/SCU).....	40 - 72	1G7	HOUSING, REAR OIL SEAL (6081) (LATE TSN-8100,8200,8300).....	20 - 59
			1H19	HOUSING, REAR OIL SEAL (8400)	20 - 97
			1F6	HOUSING, THERMOSTAT, FRONT (6076)	20 - 37A
			1F5	HOUSING, THERMOSTAT, FRONT (6076) (EARLY TSN-8100,8200,8300)	20 - 37

ALPHABETICAL INDEX - CONTINUED

GRID	PAGE	GRID	PAGE
1G19 HOUSING, THERMOSTAT, FRONT (6081) (LATE TSN-8100,8200,8300).....	20 - 73	2F21 INJECTION PUMP GEAR (8400)	30 - 58
117 HOUSING, THERMOSTAT, FRONT (8400)	20 - 109	2E24 INJECTION PUMP LUBE LINE (6076)	30 - 38
2D17 HOUSING, TURBOCHARGER CENTER (SCHWITZER) (6076)	30 - 9	2F9 INJECTION PUMP LUBE LINE (6081) (LATE TSN-8100,8200,8300).....	30 - 48
2E3 HOUSING, TURBOCHARGER CENTER (SCHWITZER) (6081)	30 - 20	2F11 INJECTION PUMP LUBE LINE (6081) (LATE TSN-8100,8200,8300).....	30 - 49A
3G23 HOUSING, CONSOLE LIGHT	40 - 79	2F21 INJECTION PUMP LUBE LINE (8400)	30 - 58
8H15 HOUSING, FRESH AIR FILTER	90 - 12	3E1 INJECTION PUMP(TSN -009999)	40 - 8
8H19 HOUSING, HEATER AND A/C	90 - 16	3E3 INJECTION PUMP(TSN -009999)	40 - 9A
3H18 HOUSING, RADIO SPEAKER	40 - 98	3E7 INJECTION PUMP(TSN 010000-)	40 - 12
5D5 HUB, CLUTCH	53 - 2	2E24 INJECTION PUMP, ELECTRONIC FUEL (6076)	30 - 38
5D7 HUB, CLUTCH	53 - 4	2F21 INJECTION PUMP, ELECTRONIC FUEL (8400)	30 - 58
5D15 HUB, DIFFERENTIAL	53 - 12	2F9 INJECTION PUMP, ELECTRONIC FUEL (6081) (LATE TSN-8100,8200,8300).....	30 - 48
5F9 HUB, WHEEL	54 - 20	2F11 INJECTION PUMP, ELECTRONIC FUEL (6081) (LATE TSN-8100,8200,8300).....	30 - 49A
5F22 HUB, WHEEL	54 - 34	9F12 INNER ROOF	91 - 54
5G5 HUB, WHEEL	54 - 42	5D11 INPUT HOUSING	53 - 8
7D9 HYDRAULIC AND TRANSMISSION OIL.....	70 - 1	4F22 INPUT SHAFT	51 - 26
3G24 HYDRAULIC DIFFERENTIAL LOCK LABEL.....	40 - 80	4F24 INPUT SHAFT	51 - 28
3G24 HYDRAULIC DIFFERENTIAL LOCK SWITCH	40 - 80	4I1 INPUT SHAFT	51 - 78
7J1 HYDRAULIC MOTOR RETURN KIT, MULTIPLE	70 - 144	4I3 INPUT SHAFT	51 - 80
7I23 HYDRAULIC MOTOR RETURN OR SUMP KIT.....	70 - 142	1D17 INSERTS, VALVE SEAT (6076) (EARLY TSN-8100,8200,8300)	20 - 4
7E1 HYDRAULIC OIL COOLER	70 - 19	1F10 INSERTS, VALVE SEAT (6081) (LATE TSN-8100,8200,8300).....	20 - 40
7E2 HYDRAULIC OIL COOLER LINES	70 - 20	1G22 INSERTS, VALVE SEAT (8400)	20 - 76
7E6 HYDRAULIC OIL FILTER.....	70 - 24	9E4 INSIDE REAR VIEW MIRROR	91 - 23
7D14 HYDRAULIC PUMP (45 CM3 (2.75 IN3))	70 - 6	3F20 INSTRUMENT CONTROL UNIT(ICU)	40 - 52
7D18 HYDRAULIC PUMP (57 CM3 (3.5 IN3))	70 - 10	3E13 INSTRUMENT CONTROL UNIT(ICU)(EUROPEAN VERSION)(TSN -009999)	40 - 18
7D10 HYDRAULIC PUMP DRIVE	70 - 2	3F16 INSTRUMENT CONTROL UNIT(ICU)(EUROPEAN VERSION)(TSN -009999)	40 - 48
7D16 HYDRAULIC PUMP SEAL KIT (45 CM3 (2.75 IN3))	70 - 8	3E15 INSTRUMENT CONTROL UNIT(ICU)(EUROPEAN VERSION)(TSN 010000-).....	40 - 20
7D20 HYDRAULIC PUMP SEAL KIT (57 CM3 (3.5 IN3))	70 - 12	3F18 INSTRUMENT CONTROL UNIT(ICU)(EUROPEAN VERSION)(TSN 010000-).....	40 - 50
9F4 HYDROPNEUMATIC SPRING, REAR WINDOW	91 - 48	3E9 INSTRUMENT CONTROL UNIT(ICU)(NORTH AMERICAN VERSION)(-009999)	40 - 14
7D22 HYDRAULIC PUMP LINES (45 CM3 (2.75 IN3))	70 - 14	3F16 INSTRUMENT CONTROL UNIT(ICU)(NORTH AMERICAN VERSION)(TSN -009999)	40 - 48
7D24 HYDRAULIC PUMP LINES (57 CM3 (3.5 IN3))	70 - 16	3E11 INSTRUMENT CONTROL UNIT(ICU)(NORTH AMERICAN VERSION)(TSN 010000-).....	40 - 16
I			
7J11 IDENTIFICATION KIT, HOSE	70 - 154	3F18 INSTRUMENT CONTROL UNIT(ICU)(NORTH AMERICAN VERSION)(TSN 010000-).....	40 - 50
4F21 IDLER, REVERSE	51 - 24	3E17 INSTRUMENT CONTROL UNIT(ICU)(UKRAINIAN VERSION).....	40 - 22
4H23 IDLER, REVERSE	51 - 76	2D16 INTAKE MANIFOLD (6076)	30 - 8
1F2 IMPELLER, WATER PUMP (6076) (EARLY TSN-8100,8200,8300)	20 - 34	2D21 INTAKE MANIFOLD (6081) (LATE TSN-8100,8200,8300).....	30 - 13
8H19 IMPELLER, HEATER AND A/C BLOWER MOTOR.....	90 - 16	2D25 INTAKE MANIFOLD (8400)	30 - 17
8H16 IMPELLER, PRESSURIZER BLOWER MOTOR	90 - 13	2D16 INTAKE MANIFOLD GASKETS (6076)	30 - 8
7J9 IMPLEMENT HYDRAULIC OIL LINES AND FITTINGS	70 - 152	2D21 INTAKE MANIFOLD GASKETS (6081) (LATE TSN-8100,8200,8300).....	30 - 13
7F23 IMPLEMENT QUICK COUPLER (CATEGORY III/IIIN)	70 - 68	2D25 INTAKE MANIFOLD GASKETS (8400)	30 - 17
7G18 IMPLEMENT SAFETY CHAIN	70 - 89	1D17 INTAKE VALVES (6076) (EARLY TSN-8100,8200,8300)	20 - 4
3H14 IMPLEMENT SWITCH	40 - 94	1F10 INTAKE VALVES (6081) (LATE TSN-8100,8200,8300).....	20 - 40
3H14 IMPLEMENT SWITCH WIRING HARNESS	40 - 94	1G22 INTAKE VALVES (8400)	20 - 76
2F3 INJECTION NOZZLE, FUEL (NIPPONDENSO) (EARLY TSN-8100,8200,8300)	30 - 42	1E19 INTAKE, ENGINE OIL PUMP (6076) (EARLY TSN-8100,8200,8300)	20 - 25
1H20 INJECTION PUMP ACCESS COVER (8400 TRACTOR).....	20 - 98	1G12 INTAKE, ENGINE OIL PUMP (6081) (LATE TSN-8100,8200,8300).....	20 - 64
1E17 INJECTION PUMP ACCESS COVER (6076) (EARLY TSN-8100,8200,8300)	20 - 23	1H22 INTAKE, ENGINE OIL PUMP (8400)	20 - 101
1G8 INJECTION PUMP ACCESS COVER (6081) (LATE TSN-8100,8200,8300).....	20 - 60		
2E24 INJECTION PUMP GEAR (6076)	30 - 38		
2F9 INJECTION PUMP GEAR (6081) (LATE TSN-8100,8200,8300).....	30 - 48		
2F11 INJECTION PUMP GEAR (6081) (LATE TSN-8100,8200,8300).....	30 - 49A		

ALPHABETICAL INDEX - CONTINUED

GRID		PAGE	GRID		PAGE
1114	INTERCOOLER.....	20 - 116	7E14	KIT, LIFT CYLINDER (8100, 8200) (NORTH AMERICAN VERSION)	70 - 34
1116	INTERCOOLER.....	20 - 118	7E16	KIT, LIFT CYLINDER (8300, 8400) (NORTH AMERICAN VERSION)	70 - 36
J					
1D23	JETS, PISTON COOLING (6076) (EARLT TSN -009999)	20 - 10	7I9	KIT, MANUAL LOWER (HITCH VALVE).....	70 - 128
1F17	JETS, PISTON COOLING (6081) (LATE TSN-81,82,8300).....	20 - 46	7J1	KIT, MULTIPLE HYDRAULIC MOTOR RETURN	70 - 144
1H4	JETS, PISTON COOLING (8400)	20 - 82	7J10	KIT, O-RING	70 - 153
3H23	JUNCTION BLOCK,ELECTRICAL	40 - 104	9F20	KIT, OPERATOR PRESENCE SWITCH	92 - 6
3E21	JUNCTION BLOCK,ELECTRICAL(CAB POWER).....	40 - 26	9E15	KIT, OUTER MIRRORS	91 - 34
3E13	JUNCTION BLOCK,ELECTRICAL(EUROPEAN VERSION)(TSN -009999)	40 - 18	1G6	KIT, PISTON/LINER (6081) (LATE TSN-8100,8200,8300).....	20 - 58
3E15	JUNCTION BLOCK,ELECTRICAL(EUROPEAN VERSION)(TSN 010000-)	40 - 20	1H17	KIT, PISTON/LINER (6081HRW01)(8400).....	20 - 95
3E9	JUNCTION BLOCK,ELECTRICAL(NORTH AMERICAN VERSION)(TSN -009999)	40 - 14	7I21	KIT, POWER BEYOND COUPLER (W/ TRAILER BRAKE) (EUROPEAN VERSION).....	70 - 140
3E11	JUNCTION BLOCK,ELECTRICAL(NORTH AMERICAN VERSION)(TSN 010000-).....	40 - 16	7I19	KIT, POWER BEYOND COUPLER (W/O TRAILER BRAKE).....	70 - 138
3E17	JUNCTION BLOCK,ELECTRICAL(UKRAINIAN VERSION).....	40 - 22	9E11	KIT, REAR FENDER SIDE EXTENSION AND MUD GUARD.....	91 - 30
K					
3F21	KEY AND ETHER AID SWITCHES BRACKET.....	40 - 53	8H22	KIT, RECIRCULATION FILTER KIT.....	90 - 19
3F21	KEY SWITCH	40 - 53	7G19	KIT, REVERSIBLE DRAWBAR (EUROPEAN VERSION).....	70 - 90
1G1	KEY, DAMPER (6081) (LATE TSN-81,82,8300).....	20 - 55	9F22	KIT, RIDE ZONE PROTECTOR	92 - 8
1H15	KEY, DAMPER (8400)	20 - 93	8D4	KIT, ROW-TRAK.....	71 - 2
3F21	KEYS.....	40 - 53	8D12	KIT, ROW-TRAK PROBE BOX	71 - 10
9F22	KIT, AIR SPRING SEAT	92 - 8	8D10	KIT, ROW-TRAK WAND PROBE	71 - 8
9F17	KIT, ARMREST, LEFT-HAND	92 - 2	8D8	KIT, ROW-TRAK 2 BALL PROBE	71 - 6
9F20	KIT, BOOT ATTACHING HARDWARE	92 - 6	8D6	KIT, ROW-TRAK 3 BALL PROBE	71 - 4
6E25	KIT, BRAKE MAKE-UP CHECK VALVE	60 - 44	7I3	KIT, SCV PILOT VALVE SEAL	70 - 122
6F1	KIT, BRAKE PRE-FILL PISTON	60 - 45	8H6	KIT, SEAL (A/C COMPRESSOR)	90 - 2
6F1	KIT, BRAKE PRESSURE INLET CHECK VALVE.....	60 - 45	7I9	KIT, SEAL SECTION INTERFACE (HITCH VALVE).....	70 - 128
6E23	KIT, BRAKE VALVE HARDWARE	60 - 42	9F20	KIT, SEAT ADJUSTMENT CABLE	92 - 6
6E21	KIT, BRAKE VALVE OVERHAUL	60 - 40	9F23	KIT, SEAT AIR SPRING	92 - 9
6G4	KIT, BRAKE VALVE OVERHAUL	60 - 69C	9F20	KIT, SEAT ATTENUATOR SPRING	92 - 6
7F21	KIT, CENTER LINK BRACKET SPACER (EUROPEAN VERSION)	70 - 66	9F20	KIT, SEAT BEARING ROLLER	92 - 6
9F22	KIT, COMPRESSOR FILTER.....	92 - 8	9F23	KIT, SEAT COMPRESSOR FILTER	92 - 9
1F21	KIT, ENGINE OVERHAUL (6081) (LATE TSN-81,82,8300).....	20 - 50	9F22	KIT, SEAT COMPRESSOR VALVE.....	92 - 8
1H10	KIT, ENGINE OVERHAUL (8400)	20 - 88	9F23	KIT, SEAT COMPRESSOR VALVE.....	92 - 9
8F25	KIT, FENDER SUPPORT.....	80 - 46	9F20	KIT, SEAT CONTROL LEVER.....	92 - 6
7I5	KIT, FIFTH REMOTE CYLINDER CONTROL.....	70 - 124	9F23	KIT, SEAT FORE-AFT ATTENUATOR	92 - 9
5D23	KIT, FINAL DRIVE, HEAVY DUTY	53 - 20	9F17	KIT, SEAT HEIGHT SWITCH	92 - 2
7I5	KIT, FOURTH REMOTE CYLINDER CONTROL	70 - 124	9F20	KIT, SEAT KNOB	92 - 6
9E22	KIT, FRONT AND REAR WIPER ASSEMBLY	91 - 42	9F23	KIT, SEAT LATERAL ATTENUATOR SHOCK	92 - 9
1D17	KIT, HEAD BOLT (6076) (EARLY TSN-8100,8200,8300)	20 - 4	9F23	KIT, SEAT RIDE ZONE PROTECTOR	92 - 9
1F10	KIT, HEAD BOLT (6081) (LATE TSN-8100,8200,8300).....	20 - 40	9F22	KIT, SEAT SHOCK ABSORBER	92 - 8
1G22	KIT, HEAD BOLT (8400)	20 - 76	9F17	KIT, SEAT SLIDE TRACK	92 - 2
7G1	KIT, HITCH (W/O LIFT CYLINDERS)	70 - 70	9F20	KIT, SEAT SUSPENSION BOOT	92 - 6
7I11	KIT, HITCH VALVE OVERHAUL	70 - 130	9F17	KIT, SEAT SWIVEL	92 - 2
7J11	KIT, HOSE IDENTIFICATION	70 - 154	9F22	KIT, SEAT WIRING HARNESS	92 - 8
7I23	KIT, HYDRAULIC MOTOR RETURN OR SUMP	70 - 142	6F17	KIT, SECONDARY BRAKE (EUROPEAN VERSION) (EARLY DESIGN).....	60 - 60
7D16	KIT, HYDRAULIC PUMP SEAL (45 CM3 (2.75 IN3))	70 - 8	7H24	KIT, SELECTIVE CONTROL VALVE OVERHAUL	70 - 118
7D20	KIT, HYDRAULIC PUMP SEAL (57 CM3 (3.5 IN3))	70 - 12	6D21	KIT, STEERING CYLINDER SEAL (ADJUSTABLE AXLE) (EARLY DESIGN).....	60 - 17
7G18	KIT, IMPLEMENT SAFETY CHAIN ADAPTER.....	70 - 89	6D17	KIT, STEERING VALVE SEAL	60 - 13
			6G13	KIT, TRAILER BRAKE VALVE (EUROPEAN VERSION).....	60 - 76
			1E7	KIT, UNDERHAUL ENGINE (6076).....	20 - 13E
			7J3	KIT, WAGON TILT	70 - 146
			9E21	KIT, WINDSHIELD AND REAR WASHER	91 - 40
			3I5	KIT,BACK-UP ALARM	40 - 110
			3I3	KIT,COLD WEATHER START(EUROPEAN VERSION).....	40 - 108
			3I1	KIT,COLD WEATHER START(NORTH AMERICAN VERSION).....	40 - 106
			4E6	KIT,ELECTRICAL CONNECTORS AND TERMINALS	43 - 1
			4E1	KIT,EXTREMITY WARNING LAMP ARM(027100-).....	42 - 22

ALPHABETICAL INDEX - CONTINUED

<i>GRID</i>		<i>PAGE</i>	<i>GRID</i>		<i>PAGE</i>
4D24	KIT,EXTREMITY WARNING LAMP(-027099)	42 - 20	8G19	LABEL, ROPS WARNING (SPANISH/ENGLISH)	80 - 66
3G17	KIT,FOOT THROTTLE	40 - 73	8G15	LABEL, ROW GUIDANCE & SCV	80 - 62
3H4	KIT,RADAR(TSN -XXXXXX)	40 - 84	8G11	LABEL, SAFETY	80 - 58
3H8	KIT,RADAR(TSN XXXXXX-)	40 - 88	8G15	LABEL, SAFETY	80 - 62
3H6	KIT,RADAR(TSN XXXXXX-XXXXXX)	40 - 86	8G17	LABEL, SAFETY (GERMANY).....	80 - 64
3H16	KIT,RADIO KNOB.....	40 - 96	8G17	LABEL, SCV & HITCH	80 - 64
3H19	KIT,RADIO,ANTENNA AND SPEAKER.....	40 - 99	8G13	LABEL, SPEED CONTROL	80 - 60
3H20	KIT,REAR SPEAKER	40 - 100	8G13	LABEL, THIRD SCV	80 - 60
3G22	KIT,ROTATING BEACON SWITCH.....	40 - 78	8G17	LABEL, TRACTOR TOW, EXPORT	80 - 64
1F4	KIT,WATER PUMP REPAIR (6076) (EARLY TSN 8100,8200,8300)	20 - 36	8G19	LABEL, TRANSMISSION (SPANISH)	80 - 66
4D10	KIT,WORK LAMP(CAB)(UPPER MID-BODY) (EUROPEAN VERSION)(TSN -XXXXXX)	42 - 6	8G17	LABEL, TRANSMISSION PARK	80 - 64
4D11	KIT,WORK LAMP(CAB)(UPPER MID-BODY) (EUROPEAN VERSION)(TSN XXXXXX-)	42 - 7	8G21	LABEL, TRANSMISSION PARK	80 - 68
4D8	KIT,WORK LAMP(UPPER MID-BODY)(NORTH AMERICAN VERSION)(TSN -XXXXXX)	42 - 4	8G17	LABEL, 40 KM/H	80 - 64
4D9	KIT,WORK LAMP(UPPER MID-BODY)(NORTH AMERICAN VERSION)(TSN XXXXXX-)	42 - 5	3I19	LABEL,BYPASS START	41 - 8
8E13	KNEE SPINDLE KNUCKLE, FRONT AXLE	80 - 6	3I20	LABEL,BYPASS START(8100,8200,8300,8400)	41 - 10
3F22	KNOB,ENGINE SPEED CONTROL(ARMREST).....	40 - 54	3I16	LABEL,BYPASS START(8400)	41 - 5
3G1	KNOB,HITCH SWITCHES(ARMREST)	40 - 58	3F16	LABEL,CONSOLE CONTROLS(TSN -009999)	40 - 48
3G9	KNOB,ROCKSHAFT CONTROL(ARMREST)	40 - 66	3F18	LABEL,CONSOLE CONTROLS(TSN 010000-)	40 - 50
3H13	KNOB,ROW-TRAK MONITOR	40 - 93	3G19	LABEL,HITCH CONTROL(EUROPEAN VERSION)	40 - 75
3F20	KNOB,SCV SETUP MODULE	40 - 52	3G18	LABEL,HITCH CONTROL(NORTH AMERICAN VERSION).....	40 - 74
3F24	KNOB,SHIFT LEVER(ARMREST)	40 - 56	3G1	LABEL,HITCH RAISE /LOWER(ARMREST)	40 - 58
3H16	KNOBS,RADIO	40 - 96	3G1	LABEL,HITCH(ARMREST)	40 - 58
8E13	KNUCKLE, FRONT AXLE KNEE SPINDLE	80 - 6	3G24	LABEL,HYDRAULIC DIFFERENTIAL LOCK	40 - 80
L			3F6	LABEL,LOAD CENTER	40 - 36
8G11	LABEL, ACCUMULATOR	80 - 58	3G5	LABEL,NO.1 SCV(ARMREST).....	40 - 62
8G21	LABEL, BY-PASS START (CANADA)	80 - 68	3G5	LABEL,NO.2 SCV(ARMREST).....	40 - 62
8G19	LABEL, BY-PASS START (SPANISH)	80 - 66	3G5	LABEL,NO.3 SCV(ARMREST).....	40 - 62
8G12	LABEL, BYPASS START	80 - 59	3G7	LABEL,NO.4 SCV(ARMREST).....	40 - 64
8G12	LABEL, DIFFERENTIAL	80 - 59	3H4	LABEL,RADAR(TSN -XXXXXX)	40 - 84
8G13	LABEL, DRAWBAR	80 - 60	3H6	LABEL,RADAR(TSN XXXXXX-XXXXXX)	40 - 86
8G17	LABEL, DRAWBAR	80 - 64	3G1	LABEL,REAR PTO(ARMREST)	40 - 58
8G15	LABEL, ELECTRIC LOAD CENTER	80 - 62	3G3	LABEL,SPEED CONTROL(ARMREST).....	40 - 60
8G12	LABEL, ELECTRICAL LOAD CENTER	80 - 59	3F13	LABEL,7-TERMINAL ELECTRICAL OUTLET SOCKET(EUROPEAN VERSION).....	40 - 44
8G21	LABEL, ENGINE START & SLOW SPEED	80 - 68	3F12	LABEL,7-TERMINAL ELECTRICAL OUTLET SOCKET(NORTH AMERICAN VERSION)	40 - 43
8G17	LABEL, FILED CRUISE	80 - 64	8G6	LAMP, LICENSE PLATE	80 - 53
8G13	LABEL, FOURTH SCV.....	80 - 60	4D14	LAMP,DIRECTION INDICATOR(CAB)(EV)	42 - 10
8G12	LABEL, FROMT ARMREST.....	80 - 59	4E1	LAMP,EXTREMITY WARNING(027100-)	42 - 22
8G13	LABEL, HITCH	80 - 60	4D19	LAMP,FRONT CAB ROOF.....	42 - 15
8G12	LABEL, HITCH ADJUSTMENT	80 - 59	4D20	LAMP,REAR ROOF WORK(TSN -XXXXXX)	42 - 16
8G17	LABEL, HITCH ADJUSTMENT	80 - 64	4D21	LAMP,REAR ROOF WORK(TSN XXXXXX-)	42 - 17
8G15	LABEL, IMPORTER	80 - 62	4D12	LAMPS,WORKING(LOWER MID-BODY)(TSN -XXXXXX)	42 - 8
8G11	LABEL, INJECTION PUMP	80 - 58	4D13	LAMPS,WORKING(LOWER MID-BODY)(TSN XXXXXX-)	42 - 9
8G21	LABEL, INJECTION PUMP	80 - 68	8G3	LATCH, BATTERY BOX COVER	80 - 50
8G19	LABEL, INJECTION PUMP (SPANISH).....	80 - 66	9F6	LATCH, DOOR	91 - 50
8G15	LABEL, POWER SHAFT ADAPTER	80 - 62	9E13	LEFT HAND STEP W/HANDRAIL	91 - 32
8G13	LABEL, PTO	80 - 60	9G5	LEFT-HAND ARMREST	92 - 16
8G21	LABEL, PTO SAFETY (CANADA)	80 - 68	9F6	LEFT-HAND DOOR (NORTH AMERICAN VERSION)	91 - 50
8G19	LABEL, PTO SAFETY (SPANISH)	80 - 66	9F8	LEFT-HAND DOOR, LATE DESIGN	91 - 52
8G11	LABEL, QUICK COUPLER.....	80 - 58	9F10	LEFT-HAND DOOR, LATE DESIGN	91 - 53A
8G21	LABEL, QUICK COUPLER (CANADA)	80 - 68	6F21	LEVER COVER, SECONDARY BRAKE (EUROPEAN VERSION).....	60 - 64
8G19	LABEL, QUICK COUPLER (SPANISH)	80 - 66	7E10	LEVER, ROCKSHAFT POSITION SENSOR.....	70 - 30
8G11	LABEL, RADAR SENSOR	80 - 58	6F13	LEVER, SECONDARY BRAKE (EUROPEAN VERSION) (EARLY DESIGN)	60 - 56
8G12	LABEL, RADAR WARNING	80 - 59	6F15	LEVER, SECONDARY BRAKE (EUROPEAN VERSION) (LATE DESIGN).....	60 - 58
8G21	LABEL, RADAR WARNING (CANADA).....	80 - 68	6F19	LEVER, SECONDARY BRAKE (EUROPEAN VERSION) (LATEST DESIGN)	60 - 62
8G19	LABEL, RADAR WARNING (SPANISH)	80 - 66	7H20	LEVER, SELECTIVE CONTROL VALVE	70 - 114
8G11	LABEL, ROPS WARNING	80 - 58	3F22	LEVER,ENGINE SPEED CONTROL(ARMREST)	40 - 54
8G12	LABEL, ROPS WARNING	80 - 59	3G5	LEVER,SELECTIVE CONTROLS 1,2,3(ARMREST)	40 - 62
8G15	LABEL, ROPS WARNING	80 - 62			
8G21	LABEL, ROPS WARNING (CANADA).....	80 - 68			

ALPHABETICAL INDEX - CONTINUED

GRID	PAGE	GRID	PAGE
3G7	LEVERS,SELECTIVE CONTROL 4 AND 5(ARMREST)	1G6	LINERS, CYLINDER (6081) (LATE TSN-8100,8200,8300)
	40 - 64		20 - 58
3E25	LICENCE PLATE LAMP WIRING HARNESS (EUROPEAN VERSION)	1H17	LINERS, CYLINDER (6081HRW01)(8400)
	40 - 30		20 - 95
8G6	LICENSE PLATE AND LAMP	6H22	LINES, AIR BRAKE (FRONT)
	80 - 53		60 - 108
7E8	LIFT ARM, ROCKSHAFT (EARLY DESIGN)	6H24	LINES, AIR BRAKE (FRONT)
	70 - 28		60 - 110
7E9	LIFT ARM, ROCKSHAFT (LATE DESIGN)	6I1	LINES, AIR BRAKE (REAR) (EARLY DESIGN)
	70 - 29		60 - 112
7E24	LIFT CYLINDER (100 MM) (HIGH-LIFT) (EARLY DESIGN).....	6H3	LINES, AIR BRAKE CONTROL VALVE (EUROPEAN VERSION) (EARLY DESIGN)
	70 - 44		60 - 90
7E25	LIFT CYLINDER (100 MM) (HIGH-LIFT) (LATE DESIGN)	6F5	LINES, BRAKE OIL (EARLY DESIGN)
	70 - 45		60 - 50
7E18	LIFT CYLINDER (8100, 8200) (EUROPEAN VERSION).....	6F9	LINES, BRAKE OIL (REAR) (W/ TRAILER BRAKE) (LATE DESIGN).....
	70 - 38		60 - 52
7E20	LIFT CYLINDER (8100,8200) (EARLY DESIGN)	6F11	LINES, BRAKE OIL (REAR) (W/O TRAILER BRAKE) (LATE DESIGN)
	70 - 40		60 - 54
7E21	LIFT CYLINDER (8100,8200) (LATE DESIGN).....	6F7	LINES, BRAKE VALVE ATTENUATOR.....
	70 - 41		60 - 51A
7E15	LIFT CYLINDER (8100,8200) (NORTH AMERICAN HIGH-LIFT).....	6E13	LINES, CHARGE PUMP REAR
	70 - 35		60 - 32
7E19	LIFT CYLINDER (8300,8400) (EUROPEAN VERSION).....	2G6	LINES, FUEL
	70 - 39		30 - 70
7E17	LIFT CYLINDER (8300,8400) (NORTH AMERICAN HIGH-LIFT).....	2E18	LINES, FUEL FILTER (6076) (EARLY DESIGN).....
	70 - 37		30 - 32
7E22	LIFT CYLINDER (90 MM) (EARLY DESIGN)	2E20	LINES, FUEL FILTER (6076) (LATE DESIGN)
	70 - 42		30 - 34
7E23	LIFT CYLINDER (90 MM) (LATE DESIGN)	2G2	LINES, FUEL FILTER (6081) (EARLY DESIGN) (8400)
	70 - 43		30 - 66
7E14	LIFT CYLINDER KIT (8100, 8200) (NORTH AMERICAN VERSION)	2F5	LINES, FUEL FILTER (6081) (LATE TSN-8100,8200,8300).....
	70 - 34		30 - 44
7E16	LIFT CYLINDER KIT (8300, 8400) (NORTH AMERICAN VERSION)	2G4	LINES, FUEL FILTER (6081) (8400) (LATE DESIGN ENGINE)
	70 - 36		30 - 68
7F3	LIFT CYLINDER LINES (EUROPEAN VERSION)	2E22	LINES, FUEL INJ (6076)
	70 - 48		30 - 36
7F1	LIFT CYLINDER LINES (NORTH AMERICAN VERSION).....	2F7	LINES, FUEL INJ (6081 ENGINE) (LATE TSN-8100,8200,8300).....
	70 - 46		30 - 46
7F7	LIFT LINK	2F19	LINES, FUEL INJ (6081) (8400 ONLY)
	70 - 52		30 - 56
1D20	LIFT STRAPS, ENGINE (6076)	2E22	LINES, FUEL LEAK-OFF (6076)
	20 - 7		30 - 36
1H1	LIFT STRAPS, ENGINE (6081)	2E24	LINES, FUEL LEAK-OFF (6076)
	20 - 79		30 - 38
1F14	LIFT STRAPS, ENGINE (6081) (LATE TSN-81,82,8300).....	2F7	LINES, FUEL LEAK-OFF (6081 ENGINE) (LATE TSN-8100,8200,8300).....
	20 - 43		30 - 46
3G20	LIGHT,DOME	2F9	LINES, FUEL LEAK-OFF (6081) (LATE TSN-8100,8200,8300).....
	40 - 76		30 - 48
3E13	LIGHT,LICENCE PLATE(EUROPEAN VERSION)(TSN -009999)	2F11	LINES, FUEL LEAK-OFF (6081) (LATE TSN-8100,8200,8300).....
	40 - 18		30 - 49A
3E15	LIGHT,LICENCE PLATE(EUROPEAN VERSION)(TSN 010000-)	2F19	LINES, FUEL LEAK-OFF (6081) (8400 ONLY)
	40 - 20		30 - 56
4D7	LIGHT,TAIL(EV)(TSN 010000-)	2F21	LINES, FUEL LEAK-OFF (8400)
	42 - 3		30 - 58
4D6	LIGHT,TAIL(EV)(TSN -009999)	7E2	LINES, HYDRAULIC OIL COOLER
	42 - 2		70 - 20
4D5	LIGHT,TAIL(NAV)	7D22	LINES, HYDRAULIC PUMP (45 CM3 (2.75 IN3))
	42 - 1		70 - 14
9D14	LIGHTER		70 - 16
	91 - 9		70 - 152
6I3	LINE, AIR BRAKE (REAR) (LATE DESIGN).....	7F3	LINES, LIFT CYLINDER (EUROPEAN VERSION)
	60 - 114		70 - 48
7E6	LINE, HYDRAULIC OIL FILTER	7F1	LINES, LIFT CYLINDER (NORTH AMERICAN VERSION).....
	70 - 24		70 - 46
2E24	LINE, INJECTION PUMP LUBE (6076).....	7H13	LINES, PICK-UP HITCH CYLINDER (EUROPEAN VERSION).....
	30 - 38		70 - 106
2F9	LINE, INJECTION PUMP LUBE (6081) (LATE TSN-8100,8200,8300).....	2E16	LINES, PRE-FUEL (6081)
	30 - 48		30 - 31A
2F11	LINE, INJECTION PUMP LUBE (6081) (LATE TSN-8100,8200,8300).....	2F17	LINES, PRE-FUEL (8400)
	30 - 49A		30 - 54
2F21	LINE, INJECTION PUMP LUBE (8400).....	6D18	LINES, PRIORITY VALVE
	30 - 58		60 - 14
7I15	LINE, SELECTIVE CONTROL VALVE PILOT	7D12	LINES, PUMP DRIVE
	70 - 134		70 - 4
6E15	LINE, STEERING PUMP FRONT	8H11	LINES, REFRIGERANT
	60 - 34		90 - 8
1E14	LINER O-RINGS (6076) (EARLY TSN 8100,8200,8300)	8D18	LINES, ROW-TRAK QUICK COUPLER CYLINDER.....
	20 - 20		71 - 16
1G6	LINER O-RINGS (6081) (LATE TSN-8100,8200,8300).....	6G7	LINES, SECONDARY BRAKE (EUROPEAN VERSION) (EARLY DESIGN)
	20 - 58		60 - 70
1H17	LINER O-RINGS (6081HRW01)(8400)	6G9	LINES, SECONDARY BRAKE (EUROPEAN VERSION) (LATE DESIGN).....
	20 - 95		60 - 72
1E14	LINER SHIM (6076) (EARLY TSN 8100,8200,8300)	6G11	LINES, SECONDARY BRAKE (EUROPEAN VERSION) (LATE DESIGN).....
	20 - 20		60 - 74
1G6	LINER SHIM (6081) (LATE TSN-8100,8200,8300).....	7I17	LINES, SELECTIVE CONTROL VALVE DRAIN
	20 - 58		70 - 136
1H17	LINER SHIM (6081HRW01)(8400).....	6E3	LINES, STEERING CYLINDER (MFWD).....
	20 - 95		60 - 22
1E14	LINERS, CYLINDER (6076) (EARLY TSN 8100,8200,8300)		
	20 - 20		

ALPHABETICAL INDEX - CONTINUED

GRID		PAGE	GRID		PAGE
6E5	LINES, STEERING CYLINDER (W/O MFWD) (EARLY DESIGN).....	60 - 24	4F3	MANIFOLD	51 - 6
6E7	LINES, STEERING CYLINDER (W/O MFWD) (LATE DESIGN)	60 - 26	4F5	MANIFOLD	51 - 8
6E13	LINES, STEERING PUMP REAR	60 - 32	4F7	MANIFOLD	51 - 10
4G19	LINES, TRANSMISSION	51 - 48	4F9	MANIFOLD	51 - 12
4G21	LINES, TRANSMISSION	51 - 50	4F11	MANIFOLD	51 - 14
4G23	LINES, TRANSMISSION	51 - 52	4F13	MANIFOLD	51 - 16
2D18	LINES, TURBOCHARGER OIL (6076) (EARLY TSN 8100,8200,8300)	30 - 10	4H3	MANIFOLD	51 - 56
2D22	LINES, TURBOCHARGER OIL (6081) (LATE TSN-8100,8200,8300).....	30 - 14	4H5	MANIFOLD	51 - 58
2E1	LINES, TURBOCHARGER OIL (8400)	30 - 18	4H7	MANIFOLD	51 - 60
6H7	LINES,AIR BRAKE CONTROL VALVE (EUROPEAN VERSION) (LATE DESIGN) (83,8400)	60 - 94	4H9	MANIFOLD	51 - 62
6H5	LINES,AIR BRAKE CONTROL VALVE (EUROPEAN VERSION) (LATE DESIGN)(81,8200)	60 - 92	4H11	MANIFOLD	51 - 64
7F21	LINK, CENTER (EUROPEAN VERSION)	70 - 66	4H13	MANIFOLD	51 - 66
7F19	LINK, CENTER (HIGH-LIFT HITCH) (NORTH AMERICAN VERSION)	70 - 64	4H15	MANIFOLD	51 - 68
7F17	LINK, CENTER (REGULAR HITCH) (NORTH AMERICAN VERSION)	70 - 62	4F13	MANIFOLD COVER	51 - 16
7F13	LINK, DRAFT (EUROPEAN VERSION).....	70 - 58	4H15	MANIFOLD COVER	51 - 68
7F9	LINK, DRAFT (NORTH AMERICAN VERSION)	70 - 54	4F1	MANIFOLD VALVE.....	51 - 4
7F7	LINK, LIFT.....	70 - 52	4F3	MANIFOLD VALVE.....	51 - 6
3F6	LOAD CENTER.....	40 - 36	4F5	MANIFOLD VALVE.....	51 - 8
3F6	LOAD CENTER BRACKET	40 - 36	4F7	MANIFOLD VALVE.....	51 - 10
3F6	LOAD CENTER DIODE	40 - 36	4F9	MANIFOLD VALVE.....	51 - 12
3F6	LOAD CENTER FUSE	40 - 36	4F11	MANIFOLD VALVE.....	51 - 14
3F6	LOAD CENTER LABEL	40 - 36	4F13	MANIFOLD VALVE.....	51 - 16
3F6	LOAD CENTER RELAY	40 - 36	4H3	MANIFOLD VALVE.....	51 - 56
3F6	LOAD CENTER TREMINAL BOARD.....	40 - 36	4H5	MANIFOLD VALVE.....	51 - 58
3E13	LOAD CENTER(EUROPEAN VERSION)(TSN -009999)	40 - 18	4H7	MANIFOLD VALVE.....	51 - 60
3E15	LOAD CENTER(EUROPEAN VERSION)(TSN 010000-)	40 - 20	4H9	MANIFOLD VALVE.....	51 - 62
3E9	LOAD CENTER(NORTH AMERICAN VERSION)(TSN -009999)	40 - 14	4H11	MANIFOLD VALVE.....	51 - 64
3E11	LOAD CENTER(NORTH AMERICAN VERSION)(TSN 010000-)	40 - 16	4H13	MANIFOLD VALVE.....	51 - 66
3E17	LOAD CENTER(UKRAINIAN VERSION).....	40 - 22	4H15	MANIFOLD VALVE.....	51 - 68
7H22	LOAD CHECK VENT CARTRIDGE KIT (SCV).....	70 - 116	6H9	MANIFOLD, AIR BRAKE PRESSURE SWITCH (EUROPEAN VERSION)	60 - 97
8F21	LOUVER, SIDE PANEL (8100, 8200, 8300).....	80 - 42	2D20	MANIFOLD, EXHAUST (6076) (EARLY TSN - 8100,8200,8300)	30 - 12
8F22	LOUVER, SIDE PANEL (8400)	80 - 43	2D16	MANIFOLD, INTAKE (6076).....	30 - 8
9F23	LUBRICATION HARNESS	92 - 9	2D21	MANIFOLD, INTAKE (6081) (LATE TSN-8100,8200,8300).....	30 - 13
	M		2D25	MANIFOLD, INTAKE (8400).....	30 - 17
4G18	MAGNETIC PICK-UP	51 - 47	8D18	MANIFOLD, ROW-TRAK QUICK COUPLER	71 - 16
1E18	MAGNETIC PICK-UP (6076) (EARLY TSN-8100,8200,8300)	20 - 24	7I7	MANIFOLD, SELECTIVE CONTROL VALVE (W/O HITCH)	70 - 126
1H21	MAGNETIC PICK-UP (6081)	20 - 99	1F6	MANIFOLD, WATER, FRONT (6076)	20 - 37A
1G9	MAGNETIC PICK-UP (6081) (LATE TSN-81,82,8300).....	20 - 61	1F5	MANIFOLD, WATER, FRONT (6076) (EARLY TSN-8100,8200,8300)	20 - 37
4G18	MAGNETIC SENSOR.....	51 - 47	1G19	MANIFOLD, WATER, FRONT (6081) (LATE TSN-8100,8200,8300).....	20 - 73
1D23	MAIN BEARING CAPS (6076) (EARLY TSN -009999)	20 - 10	1I7	MANIFOLD, WATER, FRONT (8400)	20 - 109
1F17	MAIN BEARING CAPS (6081) (LATE TSN-81,82,8300).....	20 - 46	2D24	MANIFOLDS, EXHAUST (6081) (LATE TSN-8100,8200,8300).....	30 - 16
1H4	MAIN BEARING CAPS (8400).....	20 - 82	2E4	MANIFOLDS, EXHAUST (8400)	30 - 21
1E15	MAIN BEARINGS (6076) (EARLY TSN 8100,8200,8300)	20 - 21	7I9	MANUAL LOWER KIT (HITCH VALVE)	70 - 128
1G5	MAIN BEARINGS (6081) (LATE TSN-8100,8200,8300).....	20 - 57	9D13	MAT, FLOOR	91 - 8
1H18	MAIN BEARINGS (8400)	20 - 96	4E11	METRI-PACK CONNECTOR	43 - 6
4F1	MANIFOLD	51 - 4	4E9	METRI-PACK CONNECTORS	43 - 4
			4E11	METRI-PACK TERMINAL.....	43 - 6
			4E9	METRI-PACK TERMINALS	43 - 4
			5F18	MFWD AXLE HOUSING, LH, (ASN 000001-000747; 800001-)	54 - 30
			5F20	MFWD AXLE HOUSING, RH, (ASN 000001-000747; 800001-)	54 - 32
			5F16	MFWD AXLE PIVOT PIN (ASN 000001-000747; 800001-)	54 - 28
			4G11	MFWD CLUTCH	51 - 40
			4I15	MFWD CLUTCH	51 - 92
			4G11	MFWD CLUTCH COVER	51 - 40
			4I15	MFWD CLUTCH COVER	51 - 92
			5G3	MFWD DIFFERENTIAL, HIGH CAPACITY, (ASN 000001-000747; 800001-)	54 - 40

ALPHABETICAL INDEX - CONTINUED

GRID	PAGE	GRID	PAGE
5G1	MFWD DIFFERENTIAL, STANDARD, (ASN 000001-000747; 800001-)		54 - 38
8F23	MFWD FRONT FENDER ASSEMBLY		80 - 44
3D19	MFWD SOLENOID(TSN -019999)		40 - 2
3D21	MFWD SOLENOID(TSN 020000-)		40 - 4
5F7	MFWD U-JOINT/WHEEL HUB RETROFIT SEAL KIT		54 - 18
8F7	MIDFRAME ASSEMBLY		80 - 28
8F7	MIDFRAME COVER		80 - 28
8F7	MIDFRAME SHIELD		80 - 28
9E4	MIRROR, INSIDE REAR VIEW		91 - 23
9E17	MIRROR, REMOTE (EUROPEAN VERSION).....		91 - 36
9E19	MIRROR, REMOTE POWER (EUROPEAN VERSION)		91 - 38
9E15	MIRRORS, OUTER, KIT		91 - 34
3H23	MOBILE RADIO ANTENNA CABLE		40 - 104
3H23	MOBILE RADIO BRACKET		40 - 104
3H23	MOBILE RADIO WIRING HARNESS.....		40 - 104
8G7	MODEL DESIGNATION (8100, 8200) (-009999)		80 - 54
8G9	MODEL DESIGNATION (8100, 8200)(010000-).....		80 - 56
8G8	MODEL DESIGNATION (8300, 8400)(-009999)		80 - 55
8G10	MODEL DESIGNATION DECALS (8300, 8400)(010000-).....		80 - 57
9E24	MOLDING, FRONT CLASS		91 - 44
3H10	MONITOR,PERFORMANCE.....		40 - 90
3E23	MONITOR,ROW-TRAC.....		40 - 28
3H13	MONITOR,ROW-TRAK.....		40 - 93
7I23	MOTOR RETURN OR SUMP KIT, HYDRAULIC		70 - 142
3I14	MOTOR, STARTING (DENSO) (12V F4) (6076)		41 - 4
3I15	MOTOR, STARTING (NIPPONDENSO) (12V F4) (6081) (LATE TSN-8100,8200,8300)		41 - 4A
8H19	MOTOR,HEATER AND A/C BLOWER		90 - 16
8H16	MOTOR,PRESSURIZER BLOWER		90 - 13
3I17	MOTOR,STARTING(8100,8200,8300,8400)		41 - 6
3I20	MOTOR,STARTING(8100,8200,8300,8400)		41 - 10
3I16	MOTOR,STARTING(8400)		41 - 5
8D16	MOUNTING RAIL, ROW-TRAK PROBE BOX		71 - 14
9D9	MOUNTS, CAB		91 - 4
9E11	MUD GUARD, REAR FENDER		91 - 30
2E6	MUFFLER		30 - 24
8E25	MULTI-POSITION (DUALS)		80 - 20
7J1	MULTIPLE HYDRAULIC MOTOR RETURN KIT.....		70 - 144
N			
3F14	NINE-PIN IMPLEMENT FEEDBACK CONNECTOR.....		40 - 45
2D21	NOZZLE, ETHER (6081) (LATE TSN-8100,8200,8300).....		30 - 13
2D25	NOZZLE, ETHER (8400)		30 - 17
2F3	NOZZLE, FUEL INJECTION (NIPPONDENSO) (EARLY TSN-8100,8200,8300)		30 - 42
2F15	NOZZLE, FUEL INJECTION (6081) (LATE TSN-8100, 8200, 8300)		30 - 52
2F25	NOZZLE, FUEL INJECTION (8400)		30 - 62
2E22	NOZZLES, FUEL INJECTION (6076)		30 - 36
2F7	NOZZLES, FUEL INJECTION (6081 ENGINE) (LATE TSN-8100,8200,8300).....		30 - 46
2F19	NOZZLES, FUEL INJECTION (6081) (ROBERT BOSCH) (8400 ONLY)		30 - 56
		O	
7J10	O-RING KIT		70 - 153
1E14	O-RINGS, LINER (6076) (EARLY TSN 8100,8200,8300)		20 - 20
1G6	O-RINGS, LINER (6081) (LATE TSN-8100,8200,8300).....		20 - 58
1H17	O-RINGS, LINER (6081HRW01)(8400)		20 - 95
1G14	OIL COOLER ADAPTER (8100, 8200, 8300) (LATE TSN)		20 - 66
1I4	OIL COOLER ADAPTER (8400)		20 - 107
1G13	OIL COOLER BYPASS ADAPTER (6081) (LATE TSN-81,82,8300).....		20 - 65
1G13	OIL COOLER BYPASS TUBES (6081) (LATE TSN-81,82,8300).....		20 - 65
1I3	OIL COOLER BYPASS VALVE (6081)		20 - 106
1G14	OIL COOLER COVER (8100, 8200, 8300) (LATE TSN)		20 - 66
1I4	OIL COOLER COVER (8400)		20 - 107
1E22	OIL COOLER GASKET (6076)		20 - 28
7E4	OIL COOLER LINE CLAMPS AND BRACKETS.....		70 - 22
1G14	OIL COOLER TUBES (8100, 8200, 8300) (LATE TSN)		20 - 66
1I4	OIL COOLER TUBES (8400).....		20 - 107
1G14	OIL COOLER, ENGINE (8100, 8200, 8300) (LATE TSN)		20 - 66
1I4	OIL COOLER, ENGINE (8400)		20 - 107
5E9	OIL FILL GAUGE		53 - 32
5E9	OIL FILL TUBE		53 - 32
1G15	OIL FILTER BASE (6081) (LATE TSN-8100,8200,8300).....		20 - 68
1I1	OIL FILTER BASE (8400)		20 - 104
1E22	OIL FILTER BYPASS VALVE (6076)		20 - 28
1G15	OIL FILTER BYPASS VALVE (6081) (LATE TSN-8100,8200,8300).....		20 - 68
1I1	OIL FILTER BYPASS VALVE (8400)		20 - 104
1G15	OIL FILTER HOUSING (6081) (LATE TSN-8100,8200,8300).....		20 - 68
1I1	OIL FILTER HOUSING (8400).....		20 - 104
1E22	OIL FILTER HOUSING GASKET (6076).....		20 - 28
1G15	OIL FILTER HOUSING GASKET (6081) (LATE TSN-8100,8200,8300).....		20 - 68
1I1	OIL FILTER HOUSING GASKET (8400).....		20 - 104
1E22	OIL FILTER, ENGINE (6076).....		20 - 28
1G15	OIL FILTER, ENGINE (6081) (LATE TSN-8100,8200,8300).....		20 - 68
1I1	OIL FILTER, ENGINE (8400).....		20 - 104
7E6	OIL FILTER, HYDRAULIC		70 - 24
7J9	OIL LINES, IMPLEMENT HYDRAULIC		70 - 152
2D18	OIL LINES, TURBOCHARGER (6076) (EARLY TSN 8100,8200,8300)		30 - 10
2D22	OIL LINES, TURBOCHARGER (6081) (LATE TSN-8100,8200,8300).....		30 - 14
2E1	OIL LINES, TURBOCHARGER (8400)		30 - 18
1E9	OIL PAN (6076) (EARLY TSN 8100,8200,8300)		20 - 15
1F23	OIL PAN (6081) (LATE TSN-8100,8200,8300).....		20 - 52
1H12	OIL PAN (8400)		20 - 90
1E9	OIL PAN GASKET (6076) (EARLY TSN 8100,8200,8300)		20 - 15
1F23	OIL PAN GASKET (6081) (LATE TSN-8100,8200,8300).....		20 - 52
1H12	OIL PAN GASKET (8400)		20 - 90
1I1	OIL PRESSURE REGULATING VALVE (8400)		20 - 104
1E22	OIL PRESSURE REGULATING VALVE (6076)		20 - 28

ALPHABETICAL INDEX - CONTINUED

GRID		PAGE	GRID		PAGE
1G15	OIL PRESSURE REGULATING VALVE (6081) (LATE TSN-8100,8200,8300).....	20 - 68	4I11	OUTPUT SHAFT DRUM	51 - 88
1G14	OIL PRESSURE REGULATING VALVE (8100, 820 0, 8300) (LATE TSN).....	20 - 66	4G5	OUTPUT SHAFT GEAR.....	51 - 34
1I4	OIL PRESSURE REGULATING VALVE (8400)	20 - 107	4G7	OUTPUT SHAFT GEAR.....	51 - 36
3E1	OIL PRESSURE TRANSDUCER SWITCH(TSN -009999)	40 - 8	4I9	OUTPUT SHAFT GEAR.....	51 - 86
3E3	OIL PRESSURE TRANSDUCER SWITCH(TSN -009999)	40 - 9A	4I11	OUTPUT SHAFT GEAR.....	51 - 88
3E7	OIL PRESSURE TRANSDUCER SWITCH(TSN 010000-)	40 - 12	7D15	OUTTEXT	70 - 7
4G3	OIL PUMP	51 - 32	7I4	OUTTEXT	70 - 123
4I7	OIL PUMP.....	51 - 84	8F16	OUTTEXT	80 - 37
1E12	OIL PUMP DRIVE GEAR (6076) (EARLY TSN 8100,8200,8300)	20 - 18	9D20	OUTTEXT	91 - 15
1G1	OIL PUMP DRIVE GEAR (6081) (LATE TSN-81,82,8300).....	20 - 55	9D22	OUTTEXT	91 - 17
1G10	OIL PUMP DRIVE GEAR (6081) (LATE TSN-81,82,8300).....	20 - 62	6E21	OVERHAUL KIT, BRAKE VALVE	60 - 40
1H15	OIL PUMP DRIVE GEAR (8400).....	20 - 93	6G4	OVERHAUL KIT, BRAKE VALVE	60 - 69C
1H23	OIL PUMP DRIVE GEAR (8400).....	20 - 102	1F21	OVERHAUL KIT, ENGINE (6081) (LATE TSN-81,82,8300).....	20 - 50
1G10	OIL PUMP GASKET (6081) (LATE TSN-81,82,8300).....	20 - 62	1H10	OVERHAUL KIT, ENGINE (8400)	20 - 88
1H23	OIL PUMP GASKET (8400).....	20 - 102	7I11	OVERHAUL KIT, HITCH VALVE	70 - 130
1E19	OIL PUMP INTAKE (6076) (EARLY TSN-8100,8200,8300)	20 - 25	7H24	OVERHAUL KIT, SELECTIVE CONTROL VALVE	70 - 118
1G12	OIL PUMP INTAKE (6081) (LATE TSN-8100,8200,8300).....	20 - 64			
1H22	OIL PUMP INTAKE (8400).....	20 - 101		P	
1G12	OIL PUMP INTAKE GASKET (LATE TSN-8100,8200,8300).....	20 - 64	1E9	PAN, ALUMINUM OIL (6076) (EARLY TSN 8100,8200,8300)	20 - 15
1E19	OIL PUMP INTAKE GASKET (6076) (EARLY TSN-8100,8200,8300)	20 - 25	1E9	PAN, OIL (6076) (EARLY TSN 8100,8200,8300)	20 - 15
1H22	OIL PUMP INTAKE GASKET (8400).....	20 - 101	1F23	PAN, OIL (6081) (LATE TSN-8100,8200,8300).....	20 - 52
4G3	OIL PUMP QUILL.....	51 - 32	1H12	PAN, OIL (8400).....	20 - 90
4I7	OIL PUMP QUILL.....	51 - 84	8F21	PANEL, SIDE (8100, 8200, 8300).....	80 - 42
1E20	OIL PUMP, ENGINE (6076).....	20 - 26	8F22	PANEL, SIDE (8400)	80 - 43
1G10	OIL PUMP, ENGINE (6081) (LATE TSN-81,82,8300).....	20 - 62	3F16	PANEL,SCV SET-UP(TSN -009999)	40 - 48
1H23	OIL PUMP, ENGINE (8400).....	20 - 102	3F18	PANEL,SCV SET-UP(TSN 010000-)	40 - 50
1H20	OIL SEAL, CRANKSHAFT FRONT (8400 TRACTOR).....	20 - 98	9G9	PASSENGER SEAT (EUROPEAN VERSION)	92 - 20
1E17	OIL SEAL, CRANKSHAFT FRONT (6076) (EARLY TSN-8100,8200,8300)	20 - 23	9G11	PASSENGER SEAT MOUNTING KIT (EUROPEAN VERSION).....	92 - 22
1G8	OIL SEAL, CRANKSHAFT FRONT (6081) (LATE TSN-8100,8200,8300).....	20 - 60	4E23	PEDAL, CLUTCH	51 - 2
1E16	OIL SEAL, REAR (6076) (EARLY TSN (8100, 8200, 8300)	20 - 22	4H1	PEDAL, CLUTCH	51 - 54
1G7	OIL SEAL, REAR (6081) (LATE TSN-8100,8200,8300).....	20 - 59	6D12	PEDAL, PIVOT RELEASE	60 - 8
1H19	OIL SEAL, REAR (8400)	20 - 97	6F2	PEDALS, BRAKE	60 - 46
7E1	OIL, HYDRAULIC, COOLER	70 - 19	3H10	PERFORMANCE MONITOR	40 - 90
7D9	OIL, TRANSMISSION AND HYDRAULIC	70 - 1	3H10	PERFORMANCE MONITOR BRACKET	40 - 90
9F20	OPERATOR PRESENCE SWITCH KIT.....	92 - 6	7H11	PICK-UP HITCH (EUROPEAN VERSION) (EARLY DESIGN).....	70 - 104
3F1	OPERATOR PRESENCE SWITCH(SEAT)	40 - 31	7H15	PICK-UP HITCH CONTROLS (EUROPEAN VERSION).....	70 - 108
5E3	OPTIONAL PTO	53 - 26	7H13	PICK-UP HITCH CYLINDERS (EUROPEAN VERSION).....	70 - 106
5E5	OPTIONAL PTO	53 - 28	7H17	PICK-UP HITCH DRAWBAR (EUROPEAN VERSION).....	70 - 110
9E15	OUTER MIRROR GLASS.....	91 - 34	4G18	PICK-UP, MAGNETIC	51 - 47
9E15	OUTER MIRRORS KIT.....	91 - 34	1E18	PICK-UP, MAGNETIC (6076) (EARLY TSN-8100,8200,8300)	20 - 24
9F13	OUTER ROOF	91 - 55	1H21	PICK-UP, MAGNETIC (6081).....	20 - 99
4G5	OUTPUT SHAFT	51 - 34	1G9	PICK-UP, MAGNETIC (6081) (LATE TSN-81,82,8300).....	20 - 61
4G7	OUTPUT SHAFT	51 - 36	7I3	PILOT VALVE SEAL KIT, SCV	70 - 122
4I9	OUTPUT SHAFT	51 - 86	7I1	PILOT VALVE, SCV	70 - 120
4I11	OUTPUT SHAFT	51 - 88	7I2	PILOT VALVE, SCV	70 - 121
4G5	OUTPUT SHAFT DRUM	51 - 34	5D17	PINION, PLANET	53 - 14
4G7	OUTPUT SHAFT DRUM	51 - 36	5D19	PINION, PLANET	53 - 16
4I9	OUTPUT SHAFT DRUM	51 - 86	5D21	PINION, PLANET	53 - 18
			5F9	PINION, SUN	54 - 20
			5F22	PINION, SUN	54 - 34
			5G5	PINION, SUN	54 - 42
			1D23	PISTON COOLING JETS (6076) (EARLT TSN -009999)	20 - 10

ALPHABETICAL INDEX - CONTINUED

GRID		PAGE	GRID		PAGE
1F17	PISTON COOLING JETS (6081) (LATE TSN-81,82,8300).....	20 - 46	3E5	POTENTIOMETER,HITCH POSITION(TSN 010000-)	40 - 10
1H4	PISTON COOLING JETS (8400).....	20 - 82	3G1	POTENTIOMETER,HITCH RAISE LIMIT(ARMREST).....	40 - 58
1E14	PISTON RINGS (6076) (EARLY TSN 8100,8200,8300)	20 - 20	3G1	POTENTIOMETER,HITCH RATE OF DROP(ARMREST)	40 - 58
1G6	PISTON RINGS (6081) (LATE TSN-8100,8200,8300).....	20 - 58	3G5	POTENTIOMETER,SELECTIVE CONTROL(ARMREST)	40 - 62
1H17	PISTON RINGS (6081HRW01)(8400)	20 - 95	3G9	POTENTIOMETER,HITCH COMMAND(ARMREST)	40 - 66
1G6	PISTON/LINER KIT (6081) (LATE TSN-8100,8200,8300).....	20 - 58	7I21	POWER BEYOND COUPLER KIT (W/ TRAILER BRAKE) (EUROPEAN VERSION).....	70 - 140
1H17	PISTON/LINER KIT (6081HRW01)(8400)	20 - 95	7I19	POWER BEYOND COUPLER KIT (W/O TRAILER BRAKE).....	70 - 138
5E22	PISTON, BRAKE	54 - 10	9E19	POWER MIRROR, REMOTE (EUROPEAN VERSION)	91 - 38
5F14	PISTON, BRAKE	54 - 26	3G13	POWER SHIFT CONTROLLER(CCU/PCU)	40 - 70
1E14	PISTON, ENGINE (6076) (EARLY TSN 8100,8200,8300)	20 - 20	3G15	POWER SHIFT CONTROLLER(CCU/PCU)	40 - 72
1G6	PISTON, ENGINE (6081) (LATE TSN-8100,8200,8300).....	20 - 58	3E5	POWERSHIFT CONTROL UNIT(PCU)(TSN 010000-)	40 - 10
1H17	PISTON, ENGINE (6081HRW01)(8400)	20 - 95	3G13	POWRSHIFT CONTROL UNIT(PCU)	40 - 70
5D5	PISTON, PTO BRAKE	53 - 2	3G15	POWRSHIFT CONTROL UNIT(PCU)	40 - 72
5D7	PISTON, PTO BRAKE	53 - 4	2E16	PRE-FUEL FILTER (6081).....	30 - 31A
5F16	PIVOT PIN,MFWD AXLE (ASN 000001-000747; 800001-)	54 - 28	2F17	PRE-FUEL FILTER (8400).....	30 - 54
6D12	PIVOT RELEASE PEDAL.....	60 - 8	2E16	PRE-FUEL FILTER BASE (6081)	30 - 31A
6D8	PIVOT, STEERING COLUMN	60 - 4	2F17	PRE-FUEL FILTER BASE (8400)	30 - 54
5D17	PLANET PINION.....	53 - 14	2E16	PRE-FUEL FILTER BRACKETS (6081)	30 - 31A
5D19	PLANET PINION.....	53 - 16	2F17	PRE-FUEL FILTER BRACKETS (8400)	30 - 54
5D21	PLANET PINION.....	53 - 18	2E16	PRE-FUEL FILTER SUPPORT BRACKET (6081)	30 - 31A
5D17	PLANET PINION CARRIER	53 - 14	2F17	PRE-FUEL FILTER SUPPORT BRACKET (8400)	30 - 54
5D19	PLANET PINION CARRIER	53 - 16	2D12	PRESCREENER	30 - 4
5D21	PLANET PINION CARRIER	53 - 18	6G17	PRESSURE REGULATING VALVE, AIR BRAKE (EUROPEAN VERSION)	60 - 80
5F9	PLANETARY CARRIER	54 - 20	6G17	PRESSURE RELIEF VALVE, AIR BRAKE (EUROPEAN VERSION)	60 - 80
5F22	PLANETARY CARRIER	54 - 34	6H9	PRESSURE SWITCH MANIFOLD, AIR BRAKE (EUROPEAN VERSION)	60 - 97
5G5	PLANETARY CARRIER	54 - 42	8H16	PRESSURIZER BLOWER MOTOR	90 - 13
5E22	PLATE, CLUTCH DRIVE	54 - 10	8H16	PRESSURIZER BLOWER MOTOR BRACKET	90 - 13
5F14	PLATE, CLUTCH DRIVE	54 - 26	8H16	PRESSURIZER BLOWER MOTOR DUCT	90 - 13
5G3	PLATE, DIFFERENTIAL, MFWD, HIGH CAPACITY (ASN 0001-000747; 80001-)	54 - 40	8H16	PRESSURIZER BLOWER MOTOR IMPELLER	90 - 13
5G1	PLATE, DIFFERENTIAL, MFWD, STANDARD, (ASN 000001-000747; 800001-)	54 - 38	8H22	PRESSURIZER HOUSING SEAL	90 - 19
8G6	PLATE, LICENSE PLATE AND LAMP	80 - 53	6D14	PRIORITY VALVE (MFWD)	60 - 10
3G1	PLUG,ARMREST	40 - 58	6D15	PRIORITY VALVE (W/O MFWD).....	60 - 11
7F5	PLUGS, HITCH FRAME.....	70 - 50	6D18	PRIORITY VALVE LINES.....	60 - 14
7E10	POSITION SENSOR, ROCKSHAFT	70 - 30	5D5	PTO BRAKE PISTON.....	53 - 2
3I23	POSITIVE TERMINAL	41 - 13	5D7	PTO BRAKE PISTON.....	53 - 4
9D23	POST UPHOLSTERY (CAB)	91 - 18	5D5	PTO CLUTCH	53 - 2
7E12	POTENTIOMETER, DRAFT LINK	70 - 32	5D7	PTO CLUTCH	53 - 4
3F22	POTENTIOMETER,ENGINE SPEED CONTROL(ARMREST)	40 - 54	4G15	PTO DRIVELINE SHIELD	51 - 44
3E13	POTENTIOMETER,FOOT THROTTLE(EUROPEAN VERSION)(TSN -009999)	40 - 18	5D9	PTO FITTINGS	53 - 6
3E15	POTENTIOMETER,FOOT THROTTLE(EUROPEAN VERSION)(TSN 010000-)	40 - 20	4G9	PTO HOUSING.....	51 - 38
3E9	POTENTIOMETER,FOOT THROTTLE(NORTH AMERICAN VERSION)(TSN -009999)	40 - 14	4I13	PTO HOUSING.....	51 - 90
3E11	POTENTIOMETER,FOOT THROTTLE(NORTH AMERICAN VERSION)(TSN 010000-).....	40 - 16	5E1	PTO HOUSING.....	53 - 24
3E17	POTENTIOMETER,FOOT THROTTLE(UKRAINIAN VERSION).....	40 - 22	5E3	PTO HOUSING.....	53 - 26
3G1	POTENTIOMETER,HITCH CONTROL LEVER(ARMREST)	40 - 58	5E5	PTO HOUSING.....	53 - 28
3D23	POTENTIOMETER,HITCH DRAFT SENSOR(TSN -009999)	40 - 6	5E7	PTO MASTER SHIELD	53 - 30
3E5	POTENTIOMETER,HITCH DRAFT SENSOR(TSN 010000-)	40 - 10	5E1	PTO OUTPUT SHAFT	53 - 24
3D23	POTENTIOMETER,HITCH POSITION(TSN -009999)	40 - 6	5E3	PTO OUTPUT SHAFT	53 - 26
			5E5	PTO OUTPUT SHAFT	53 - 28
			4G9	PTO SHAFT	51 - 38
			4I13	PTO SHAFT	51 - 90
			5D9	PTO VALVES	53 - 6
			5D7	PTO, CLUTCH	53 - 4
			5E3	PTO, OPTIONAL	53 - 26
			5E5	PTO, OPTIONAL	53 - 28
			5E1	PTO, STANDARD.....	53 - 24
			1J6	PULLEY/IDLER PULLEY	20 - 134
			1J8	PULLEY/IDLER PULLEY	20 - 136

ALPHABETICAL INDEX - CONTINUED

<i>GRID</i>		<i>PAGE</i>	<i>GRID</i>		<i>PAGE</i>
1E11	PULLEY, CRANKSHAFT (6076)	20 - 17	3H8	RADAR SHIELD(TSN XXXXXX-)	40 - 88
1H14	PULLEY, CRANKSHAFT (6081)	20 - 92	3H4	RADAR(TSN -XXXXXX)	40 - 84
1F25	PULLEY, CRANKSHAFT (6081) (LATE TSN-81,82,8300).....	20 - 54	3H8	RADAR(TSN XXXXXX-)	40 - 88
3I12	PULLEY,ALTERNATOR	41 - 2	3H6	RADAR(TSN XXXXXX-XXXXXX)	40 - 86
7D12	PUMP DRIVE LINES	70 - 4	1I14	RADIATOR	20 - 116
6E9	PUMP, CHARGE	60 - 28	1I16	RADIATOR	20 - 118
1E20	PUMP, ENGINE OIL (6076).....	20 - 26	1I10	RADIATOR HOSE	20 - 112
2E24	PUMP, FUEL INJECTION (6076)	30 - 38	3H16	RADIO	40 - 96
2F9	PUMP, FUEL INJECTION (6081) (LATE TSN-8100,8200,8300).....	30 - 48	3H19	RADIO	40 - 99
2F11	PUMP, FUEL INJECTION (6081) (LATE TSN-8100,8200,8300).....	30 - 49A	3H19	RADIO ANTENNA.....	40 - 99
2F21	PUMP, FUEL INJECTION (8400)	30 - 58	3H21	RADIO ANTENNA.....	40 - 102
2F2	PUMP, FUEL TRANSFER (ROBERT BOSCH) (6076)	30 - 41	3H21	RADIO ANTENNA BASE	40 - 102
2F14	PUMP, FUEL TRANSFER (ROBERT BOSCH) (6081) (LATE TSN-81,82,8300).....	30 - 51	3H21	RADIO ANTENNA CABLE	40 - 102
2F24	PUMP, FUEL TRANSFER (ROBERT BOSCH) (8400 TRACTOR).....	30 - 61	3H21	RADIO ANTENNA GROUND PLANE	40 - 102
7D14	PUMP, HYDRAULIC (45 CM3 (2.75 IN3))	70 - 6	3H16	RADIO BEZEL	40 - 96
7D18	PUMP, HYDRAULIC (57 CM3 (3.5 IN3))	70 - 10	3H16	RADIO BEZEL BRACKET	40 - 96
4G3	PUMP, OIL	51 - 32	3H16	RADIO KNOB KIT	40 - 96
4I7	PUMP, OIL	51 - 84	3H16	RADIO KNOBS.....	40 - 96
1G10	PUMP, OIL ENGINE (6081) (LATE TSN-81,82,8300).....	20 - 62	3H18	RADIO SPEAKER.....	40 - 98
1H23	PUMP, OIL ENGINE (8400).....	20 - 102	3H18	RADIO SPEAKER HOUSING	40 - 98
4G9	PUMP, SCAVENGE	51 - 38	3H18	RADIO SPEAKER,GRILLE.....	40 - 98
4I13	PUMP, SCAVENGE	51 - 90	3E13	RADIO SPEAKERS(EUROPEAN VERSION)(TSN -009999)	40 - 18
6E9	PUMP, STEERING	60 - 28	3E15	RADIO SPEAKERS(EUROPEAN VERSION)(TSN 010000-)	40 - 20
6E10	PUMP, STEERING/CHARGE.....	60 - 29	3E9	RADIO SPEAKERS(NORTH AMERICAN VERSION)(TSN -009999)	40 - 14
1F2	PUMP, WATER (6076) (EARLY TSN-8100,8200,8300)	20 - 34	3E11	RADIO SPEAKERS(NORTH AMERICAN VERSION)(TSN 010000-).....	40 - 16
1G17	PUMP, WATER (6081) (LATE TSN-8100,8200,8300).....	20 - 70	3E17	RADIO SPEAKERS(UKRAINIAN VERSION).....	40 - 22
1I5	PUMP, WATER (8400).....	20 - 108	3E13	RADIO(EUROPEAN VERSION)(TSN -009999).....	40 - 18
1D21	PUSH RODS (6076) (EARLY TSN 8100 8200 8300).....	20 - 8	3E15	RADIO(EUROPEAN VERSION)(TSN 010000-)	40 - 20
1F15	PUSH RODS (6081) (LATE TSN-8100,8200,8300).....	20 - 44	3E9	RADIO(NORTH AMERICAN VERSION)(TSN -009999)	40 - 14
1H2	PUSH RODS (8400).....	20 - 80	3E11	RADIO(NORTH AMERICAN VERSION)(TSN 010000-)	40 - 16
Q					
8D18	QUICK COUPLER CYLINDER LINES, ROW-TRAK.....	71 - 16	3E17	RADIO(UKRAINIAN VERSION)	40 - 22
7F23	QUICK COUPLER, IMPLEMENT (CATEGORY III/IIIN)	70 - 68	3H19	RADIO,ANTENNA AND SPEAKER KIT.....	40 - 99
5D15	QUILL, DIFFERENTIAL	53 - 12	8D16	RAIL, ROW-TRAK PROBE BOX MOUNTING	71 - 14
5E20	QUILL, DIFFERENTIAL	54 - 8	3F1	RAISE/LOWER SEAT SWITCH.....	40 - 31
R					
3H4	RADAR BRACKET(TSN -XXXXXX)	40 - 84	9E7	REAR EXTENSION, REAR FENDER	91 - 26
3H8	RADAR BRACKET(TSN XXXXXX-)	40 - 88	9E9	REAR FENDER (EUROPEAN VERSION).....	91 - 28
3H6	RADAR BRACKET(TSN XXXXXX-XXXXXX)	40 - 86	9E9	REAR FENDER EXTENSION (EUROPEAN VERSION).....	91 - 28
3H4	RADAR COVER(TSN -XXXXXX)	40 - 84	9E11	REAR FENDER MUD GUARD	91 - 30
3H6	RADAR COVER(TSN XXXXXX-XXXXXX)	40 - 86	9E11	REAR FENDER SIDE EXTENSION	91 - 30
3H4	RADAR KIT(TSN -XXXXXX)	40 - 84	9E12	REAR FENDER SIDE EXTENSION (EUROPEAN VERSION).....	91 - 31
3H8	RADAR KIT(TSN XXXXXX-).....	40 - 88	9E11	REAR FENDER SIDE EXTENSION AND MUD GUARD KIT	91 - 30
3H6	RADAR KIT(TSN XXXXXX-XXXXXX)	40 - 86	4D23	REAR FENDER WORK LIGHT BOOT(TSN XXXXXX-).....	42 - 19
3H4	RADAR LABEL(TSN -XXXXXX)	40 - 84	4D23	REAR FENDER WORK LIGHT BRACKET(TSN XXXXXX-)	42 - 19
3H6	RADAR LABEL(TSN XXXXXX-XXXXXX).....	40 - 86	4D22	REAR FENDER WORK LIGHT(TSN -XXXXXX)	42 - 18
3E1	RADAR SENSOR(TSN -009999).....	40 - 8	4D23	REAR FENDER WORK LIGHT(TSN XXXXXX-)	42 - 19
3E3	RADAR SENSOR(TSN -009999).....	40 - 9A	9E7	REAR FENDER, REAR EXTENSION	91 - 26
3E7	RADAR SENSOR(TSN 010000-).....	40 - 12	1E16	REAR OIL SEAL (6076) (EARLY TSN 8100, 8200, 8300).....	20 - 22
			1G7	REAR OIL SEAL (6081) (LATE TSN-8100,8200,8300).....	20 - 59
			1H19	REAR OIL SEAL (8400).....	20 - 97
			1G7	REAR OIL SEAL GASKET (6081) (LATE TSN-8100,8200,8300).....	20 - 59
			1H19	REAR OIL SEAL GASKET (8400).....	20 - 97
			1E16	REAR OIL SEAL HOUSING (6076) (EARLY TSN 8100, 8200, 8300).....	20 - 22

ALPHABETICAL INDEX - CONTINUED

GRID		PAGE	GRID		PAGE
1G7	REAR OIL SEAL HOUSING (6081) (LATE TSN-8100,8200,8300).....	20 - 59	9F23	RIDE ZONE PROTECTOR KIT	92 - 9
1H19	REAR OIL SEAL HOUSING (8400).....	20 - 97	9D15	RIGHT-HAND CONSOLE.....	91 - 10
3E19	REAR ROOF FLOOD LIGHTS	40 - 24	9F1	RIGHT-HAND GLASS, STATIONARY.....	91 - 46
4D20	REAR ROOF WORK LAMP BRACKET(TSN -XXXXXX).....	42 - 16	9F3	RIGHT-HAND HANDRAIL (OPENING R.H.DOOR).....	91 - 47A
4D21	REAR ROOF WORK LAMP BRACKET(TSN XXXXXX-).....	42 - 17	9F2	RIGHT-HAND OPENING DOOR (EUROPEAN VERSION).....	91 - 47
4D20	REAR ROOF WORK LAMP(TSN -XXXXXX).....	42 - 16	8E19	RIMS, FRONT WHEELS (MFWD).....	80 - 14
4D21	REAR ROOF WORK LAMP(TSN XXXXXX-).....	42 - 17	1E14	RINGS, PISTON (6076) (EARLY TSN 8100,8200,8300)	20 - 20
3H20	REAR SPEAKER KIT	40 - 100	1G6	RINGS, PISTON (6081) (LATE TSN-8100,8200,8300).....	20 - 58
9E3	REAR UPHOLSTERY (CAB)	91 - 22	1H17	RINGS, PISTON (6081HRW01)(8400)	20 - 95
9E21	REAR WASHER KIT	91 - 40	1G24	ROCKER ARM COVER (ESN -018791)(8400)	20 - 78
8E21	REAR WHEELS, CAST	80 - 16	1G25	ROCKER ARM COVER (ESN 018792-)(8400)	20 - 78A
9F4	REAR WINDOW	91 - 48	1D19	ROCKER ARM COVER (6076) (EARLY TSN-8100,8200,8300)	20 - 6
4E14	REAR WINDSHIELD WIPER CONNECTOR	43 - 9	1F12	ROCKER ARM COVER (6081) (LATE TSN-8100,8200,8300).....	20 - 42
9F12	REAR WIPER HOLE COVER	91 - 54	1F13	ROCKER ARM COVER (6081) (LATE TSN-8100,8200,8300).....	20 - 42A
3E19	REAR WIPER MOTOR.....	40 - 24	1G24	ROCKER ARM COVER GASKET (ESN -018791)(8400)	20 - 78
8H22	RECIRCULATION FILTER	90 - 19	1G25	ROCKER ARM COVER GASKET (ESN 018792-)(8400).....	20 - 78A
8H22	RECIRCULATION FILTER HOUSING	90 - 19	1D19	ROCKER ARM COVER GASKET (6076) (EARLY TSN-8100,8200,8300)	20 - 6
1112	RECOVERY TANK, COOLANT	20 - 114	1F12	ROCKER ARM COVER GASKET (6081) (LATE TSN-8100,8200,8300).....	20 - 42
3112	RECTIFIER,ALTERNATOR	41 - 2	1F13	ROCKER ARM COVER GASKET (6081) (LATE TSN-8100,8200,8300).....	20 - 42A
4E1	REFLECTOR LABEL,EXTREMITY WARNING LAMP(0 27100-)	42 - 22	1G24	ROCKER ARM COVER GASKET (ESN -018791)(8400)	20 - 78
8H11	REFRIGERANT LINES.....	90 - 8	1G25	ROCKER ARM COVER GASKET (ESN 018792-)(8400).....	20 - 78A
7G17	REGULAR DRAWBAR (EUROPEAN VERSION)	70 - 88	1D19	ROCKER ARM COVER GASKET (6076) (EARLY TSN-8100,8200,8300)	20 - 6
7G3	REGULAR DRAWBAR (8100,8200,8300)	70 - 72	1F12	ROCKER ARM COVER GASKET (6081) (LATE TSN-8100,8200,8300).....	20 - 42
7G9	REGULAR DRAWBAR (8400)	70 - 78	1F13	ROCKER ARM COVER GASKET (6081) (LATE TSN-8100,8200,8300).....	20 - 42A
3112	REGULATOR,ALTERNATOR.....	41 - 2	1D21	ROCKER ARM SHAFT (6076) (EARLY TSN 8100,8200,8300)	20 - 8
4E14	RELAY TERMINAL BOARD.....	43 - 9	1F15	ROCKER ARM SHAFT (6081) (LATE TSN-8100,8200,8300).....	20 - 44
3I5	RELAY,BACK-UP ALARM	40 - 110	1H2	ROCKER ARM SHAFT (8400).....	20 - 80
3F4	RELAY,BRAKE LIGHT	40 - 34	1D21	ROCKER ARMS (6076) (EARLY TSN 8100,8200,8300)	20 - 8
3F6	RELAY,LOAD CENTER	40 - 36	1F15	ROCKER ARMS (6081) (LATE TSN-8100,8200,8300).....	20 - 44
3F9	RELAY,STARTING CIRCUIT	40 - 40	1H2	ROCKER ARMS (8400)	20 - 80
7113	RELIEF VALVE, HITCH VALVE	70 - 132	7E8	ROCKSHAFT (EARLY DESIGN)	70 - 28
715	REMOTE CYLINDER CONTROL KIT	70 - 124	7E9	ROCKSHAFT (LATE DESIGN)	70 - 29
9E17	REMOTE MIRROR (EUROPEAN VERSION)	91 - 36	3G9	ROCKSHAFT CONTROL ADJUSTMENT DIAL(ARMREST)	40 - 66
9E19	REMOTE POWER MIRROR (EUROPEAN VERSION).....	91 - 38	3G9	ROCKSHAFT CONTROL COVER(ARMREST)	40 - 66
1F4	REPAIR KIT, WATER PUMP (6076) (EARLY TSN 8100,8200,8300)	20 - 36	3G9	ROCKSHAFT CONTROL KNOB(ARMREST)	40 - 66
6F21	RESERVOIR, SECONDARY BRAKE (EUROPEAN VERSION).....	60 - 64	7E10	ROCKSHAFT POSITION SENSOR	70 - 30
3E13	RESISTOR,BLOWER MOTOR(EUROPEAN VERSION)(TSN -009999)	40 - 18	7F13	ROD, DRAFT LINK (EUROPEAN VERSION).....	70 - 58
3E15	RESISTOR,BLOWER MOTOR(EUROPEAN VERSION)(TSN 010000-).....	40 - 20	1E14	RODS, CONNECTING (6076) (EARLY TSN 8100,8200,8300)	20 - 20
3E9	RESISTOR,BLOWER MOTOR(NORTH AMERICAN VERSION)(TSN -009999)	40 - 14	1G6	RODS, CONNECTING (6081) (LATE TSN-8100,8200,8300).....	20 - 58
3E11	RESISTOR,BLOWER MOTOR(NORTH AMERICAN VERSION)(TSN 010000-).....	40 - 16	1H17	RODS, CONNECTING (6081HRW01)(8400).....	20 - 95
3E17	RESISTOR,BLOWER MOTOR(UKRAINIAN VERSION).....	40 - 22	1D21	RODS, PUSH (6076) (EARLY TSN 8100 8200 8300).....	20 - 8
8H19	RESISTOR,HEATER AND A/C	90 - 16	1F15	RODS, PUSH (6081) (LATE TSN-8100,8200,8300).....	20 - 44
7G3	RETAINER, DRAWBAR (8100,8200,8300)	70 - 72	1H2	RODS, PUSH (8400)	20 - 80
7G9	RETAINER, DRAWBAR (8400)	70 - 78	9E1	ROOF HEADLINER	91 - 20
3G25	RETAINER,BRAKE SWITCH	40 - 81	3E19	ROOF WARNING LIGHTS,NORTH AMERICAN VERSION	40 - 24
5F7	RETROFIT SEAL KIT,MFWD,U-JOINT/WHEEL HUB	54 - 18	3E19	ROOF WIRING HARNESS	40 - 24
4F21	REVERSE IDLER	51 - 24	4D18	ROOF WIRING HARNESS	42 - 14
4H23	REVERSE IDLER	51 - 76	4D19	ROOF WIRING HARNESS	42 - 15
4F21	REVERSE IDLER GEAR	51 - 24	9F12	ROOF, INNER	91 - 54
4H23	REVERSE IDLER GEAR	51 - 76			
7G19	REVERSIBLE DRAWBAR KIT (EUROPEAN VERSION).....	70 - 90			
7G11	REVERSIBLE DRAWBAR KIT (NORTH AMERICAN VERSION).....	70 - 80			
9F22	RIDE ZONE PROTECTOR KIT	92 - 8			

ALPHABETICAL INDEX - CONTINUED

GRID		PAGE	GRID		PAGE
9F13	ROOF, OUTER	91 - 55	9F20	SEAT CONTROL LEVER KIT	92 - 6
3G22	ROTATING BEACON SWITCH KIT	40 - 78	9G3	SEAT CUSHIONS.....	92 - 14
3I12	ROTOR ASSEMBLY,ALTERNATOR	41 - 2	9G3	SEAT CUSHIONS AND SEAT BELT	92 - 14
3E23	ROW-TRAC MONITOR	40 - 28	9F23	SEAT FORE-AFT ATTENUATOR KIT	92 - 9
8D4	ROW-TRAK KIT	71 - 2	9F17	SEAT HEIGHT SWITCH KIT	92 - 2
3H13	ROW-TRAK MONITOR.....	40 - 93	9F20	SEAT KNOB KIT	92 - 6
3H13	ROW-TRAK MONITOR BRACKET	40 - 93	9F23	SEAT LATERAL ATTENUATOR SHOCK KIT.....	92 - 9
3H13	ROW-TRAK MONITOR WIRING HARNESS.....	40 - 93	3F1	SEAT OPERATOR PRESENCE SWITCH.....	40 - 31
8D12	ROW-TRAK PROBE BOX KIT.....	71 - 10	3F1	SEAT RAISE/LOWER SWITCH	40 - 31
8D16	ROW-TRAK PROBE BOX MOUNTING RAIL	71 - 14	9F23	SEAT RIDE ZONE PROTECTOR KIT.....	92 - 9
8D14	ROW-TRAK QUICK COUPLER	71 - 12	9F22	SEAT SHOCK ABSORBER KIT	92 - 8
8D18	ROW-TRAK QUICK COUPLER CYLINDER LINES	71 - 16	9F17	SEAT SLIDE TRACK KIT.....	92 - 2
8D10	ROW-TRAK WAND PROBE KIT	71 - 8	9F24	SEAT SUPPORT	92 - 10
3E23	ROW-TRAK WIRING HARNESS	40 - 28	9F17	SEAT SUSPENSION	92 - 2
8D8	ROW-TRAK 2 BALL PROBE KIT	71 - 6	9F19	SEAT SUSPENSION ARM.....	92 - 5
8D6	ROW-TRAK 3 BALL PROBE KIT	71 - 4	9F20	SEAT SUSPENSION BOOT KIT	92 - 6
			9F17	SEAT SWIVEL KIT	92 - 2
	S		3F1	SEAT WIRING HARNESS	40 - 31
			9F22	SEAT WIRING HARNESS KIT	92 - 8
7G18	SAFETY CHAIN ADAPTER KIT,IMPLEMENT	70 - 89	6F17	SECONDARY BRAKE KIT (EUROPEAN VERSION) (EARLY DESIGN).....	60 - 60
4G9	SCAVENGE PUMP.....	51 - 38	6F13	SECONDARY BRAKE LEVER (EUROPEAN VERSION) (EARLY DESIGN)	60 - 56
4I13	SCAVENGE PUMP.....	51 - 90	6F15	SECONDARY BRAKE LEVER (EUROPEAN VERSION) (LATE DESIGN).....	60 - 58
8F10	SCREEN, GRILLE	80 - 31	6F19	SECONDARY BRAKE LEVER (EUROPEAN VERSION) (LATEST DESIGN)	60 - 62
7I1	SCV PILOT VALVE	70 - 120	6F21	SECONDARY BRAKE LEVER COVER (EUROPEAN VERSION).....	60 - 64
7I1	SCV SOLENOID.....	70 - 120	6G7	SECONDARY BRAKE LINES (EUROPEAN VERSION) (EARLY DESIGN)	60 - 70
7I2	SCV SOLENOID.....	70 - 121	6G9	SECONDARY BRAKE LINES (EUROPEAN VERSION) (LATE DESIGN).....	60 - 72
7I3	SCV SOLENOID GLYD RING KIT	70 - 122	6G11	SECONDARY BRAKE LINES (EUROPEAN VERSION) (LATE DESIGN).....	60 - 74
8H6	SEAL KIT, A/C COMPRESSOR	90 - 2	6F21	SECONDARY BRAKE RESERVOIR (EUROPEAN VERSION).....	60 - 64
7D16	SEAL KIT, HYDRAULIC PUMP (45 CM3 (2.75 IN3))	70 - 8	6F23	SECONDARY BRAKE VALVE	60 - 66
7D20	SEAL KIT, HYDRAULIC PUMP (57 CM3 (3.5 IN3))	70 - 12	6G2	SECONDARY BRAKE VALVE	60 - 69A
6D17	SEAL KIT, STEERING VALVE	60 - 13	3G5	SELECTIVE CONTROL LEVERS 1,2,3 WIRING HARNESS(ARMREST).....	40 - 62
5F7	SEAL KIT,MFWD,U-JOINT/WHEEL HUB RETROFIT	54 - 18	3G7	SELECTIVE CONTROL BRACKET(ARMREST)	40 - 64
7I9	SEAL SECTION INTERFACE KIT (HITCH VALVE)	70 - 128	3G5	SELECTIVE CONTROL LEVER BRACKET(ARMREST).....	40 - 62
7H22	SEAL SECTION INTERFACE KIT (SCV)	70 - 116	3G7	SELECTIVE CONTROL LEVER SENSOR(ARMREST)	40 - 64
1E17	SEAL, FRONT OIL (6076) (EARLY TSN-8100,8200,8300)	20 - 23	3G5	SELECTIVE CONTROL LEVERS 1,2,3(ARMREST).....	40 - 62
1G8	SEAL, FRONT OIL (6081) (LATE TSN-8100,8200,8300).....	20 - 60	3G7	SELECTIVE CONTROL LEVERS 4 AND 5(ARMREST)	40 - 64
1H20	SEAL, FRONT OIL (8400 TRACTOR).....	20 - 98	3G7	SELECTIVE CONTROL LEVERS 4 AND 5 WIRING HARNESS(ARMREST).....	40 - 64
1E16	SEAL, REAR OIL (6076) (EARLY TSN 8100, 8200, 8300).....	20 - 22	3E23	SELECTIVE CONTROL OPTION(SCO)	40 - 28
1G7	SEAL, REAR OIL (6081) (LATE TSN-8100,8200,8300).....	20 - 59	3G13	SELECTIVE CONTROL OPTION(SCO)	40 - 70
1H19	SEAL, REAR OIL (8400)	20 - 97	3G15	SELECTIVE CONTROL OPTION(SCO)	40 - 72
1G17	SEAL, TUBE (6081) (LATE TSN-8100,8200,8300).....	20 - 70	3D23	SELECTIVE CONTROL OPTION(SCO)(TSN -009999)	40 - 6
1I5	SEAL, TUBE (8400)	20 - 108	3E5	SELECTIVE CONTROL OPTION(SCO)(TSN 010000-)	40 - 10
1F2	SEAL, WATER PUMP (6076) (EARLY TSN-8100,8200,8300)	20 - 34	3G5	SELECTIVE CONTROL POTENTIOMETER(ARMREST)	40 - 62
9E24	SEAL, WINDSHIELD	91 - 44	3G13	SELECTIVE CONTROL UNIT(SCU)	40 - 70
8H17	SEAL,AIR CIRCULATION.....	90 - 14	3G15	SELECTIVE CONTROL UNIT(SCU)	40 - 72
8H21	SEAL,HEATER AND A/C COMPARTMENT	90 - 18	3D23	SELECTIVE CONTROL UNIT(SCU)(TSN -009999)	40 - 6
9F20	SEAT ADJUSTMENT CABLE KIT	92 - 6	3E5	SELECTIVE CONTROL UNIT(SCU)(TSN 010000-)	40 - 10
9F23	SEAT AIR SPRING KIT	92 - 9	7H20	SELECTIVE CONTROL VALVE.....	70 - 114
9F20	SEAT ATTENUATOR SPRING KIT	92 - 6	7H22	SELECTIVE CONTROL VALVE COUPLER	70 - 116
9G2	SEAT BACKREST SUPPORTS	92 - 13	7I17	SELECTIVE CONTROL VALVE DRAIN LINES	70 - 136
9F20	SEAT BEARING ROLLER KIT.....	92 - 6			
9G3	SEAT BELT.....	92 - 14			
9G13	SEAT BELT.....	92 - 24			
9G3	SEAT BELT AND SEAT CUSIONS	92 - 14			
9F23	SEAT COMPRESSOR FILTER KIT.....	92 - 9			
9F22	SEAT COMPRESSOR VALVE KIT	92 - 8			
9F23	SEAT COMPRESSOR VALVE KIT	92 - 9			

ALPHABETICAL INDEX - CONTINUED

<i>GRID</i>		<i>PAGE</i>	<i>GRID</i>		<i>PAGE</i>
7H19	SELECTIVE CONTROL VALVE END COVER	70 - 113	3E5	SENSOR,REAR PTO SPEED(TSN 010000-)	40 - 10
7I7	SELECTIVE CONTROL VALVE MANIFOLD (W/O HITCH)	70 - 126	3E13	SENSOR,SECONDARY HAND BRAKE RESERVOIR LEVEL(EUROPEAN VERSION)(TSN -009999)	40 - 18
7H24	SELECTIVE CONTROL VALVE OVERHAUL KIT.....	70 - 118	3E15	SENSOR,SECONDARY HAND BRAKE RESERVOIR LEVEL(EUROPEAN VERSION)(TSN 010000-)	40 - 20
7I15	SELECTIVE CONTROL VALVE PILOT LINE	70 - 134	3G7	SENSOR,SELECTIVE CONTROL LEVER(ARMREST)	40 - 64
3D23	SELECTIVE CONTROL VALVE(SCV)(TSN -009999)	40 - 6	3E1	SENSOR,WATER TEMPERTURE(TSN -009999).....	40 - 8
3E5	SELECTIVE CONTROL VALVE(SCV)(TSN 010000-)	40 - 10	3E3	SENSOR,WATER TEMPERTURE(TSN -009999).....	40 - 9A
3F24	SELECTOR,TRANSMISSION CONTROL(ARMREST)	40 - 56	3E7	SENSOR,WATER TEMPERTURE(TSN 010000-)	40 - 12
2G8	SENDER, FUEL	30 - 72	2E14	SEPARATOR, WATER	30 - 30
2D25	SENSOR, AIR INTAKE TEMPERATURE (8400)	30 - 17	3F20	SET-UP PANEL(SUP)	40 - 52
2D21	SENSOR, AIR INTAKE TEMPERATURE (6081) (LATE TSN-8100,8200,8300).....	30 - 13	3E13	SET-UP PANEL(SUP)(EUROPEAN VERSION)(TSN -009999)	40 - 18
1E18	SENSOR, ENGINE SPEED (6076) (EARLY TSN-8100,8200,8300)	20 - 24	3E15	SET-UP PANEL(SUP)(EUROPEAN VERSION)(TSN 010000-)	40 - 20
1H21	SENSOR, ENGINE SPEED (6081)	20 - 99	3E9	SET-UP PANEL(SUP)(NORTH AMERICAN VERSION)(-009999)	40 - 14
1G9	SENSOR, ENGINE SPEED (6081) (LATE TSN-81,82,8300).....	20 - 61	3E11	SET-UP PANEL(SUP)(NORTH AMERICAN VERSION)(TSN 010000-).....	40 - 16
4G18	SENSOR, MAGNETIC	51 - 47	3F16	SET-UP PANEL(SUP)(TSN -009999)	40 - 48
7E10	SENSOR, ROCKSHAFT POSITION	70 - 30	3F18	SET-UP PANEL(SUP)(TSN 010000-).....	40 - 50
2E24	SENSOR, TEMPERATURE (6076)	30 - 38	3E17	SET-UP PANEL(SUP)(UKRAINIAN VERSION).....	40 - 22
2F9	SENSOR, TEMPERATURE (6081) (LATE TSN-8100,8200,8300).....	30 - 48	3E13	SEVEN-TERMINAL OUTLET SOCKET(EUROPEAN VERSION)(TSN -009999)	40 - 18
2F11	SENSOR, TEMPERATURE (6081) (LATE TSN-8100,8200,8300).....	30 - 49A	3E15	SEVEN-TERMINAL OUTLET SOCKET(EUROPEAN VERSION)(TSN 010000-).....	40 - 20
2F21	SENSOR, TEMPERATURE (8400)	30 - 58	3E9	SEVEN-TERMINAL OUTLET SOCKET(NORTH AMERICAN VERSION)(TSN -009999)	40 - 14
3E1	SENSOR,AIR FILTER RESTRICTION(TSN -009999)	40 - 8	3E11	SEVEN-TERMINAL OUTLET SOCKET(NORTH AMERICAN VERSION)(TSN 010000-).....	40 - 16
3E3	SENSOR,AIR FILTER RESTRICTION(TSN -009999)	40 - 9A	3E17	SEVEN-TERMINAL OUTLET SOCKET(UKRAINIAN VERSION).....	40 - 22
3E7	SENSOR,AIR FILTER RESTRICTION(TSN 010000-)	40 - 12	5D17	SHAFT, AXLE	53 - 14
3E7	SENSOR,AIR INTAKE TEMPERTURE	40 - 12	5D19	SHAFT, AXLE	53 - 16
3E1	SENSOR,AIR INTAKE TEMPERTURE(TSN -009999)	40 - 8	5D21	SHAFT, AXLE	53 - 18
3E3	SENSOR,AIR INTAKE TEMPERTURE(TSN -009999)	40 - 9A	5E23	SHAFT, AXLE	54 - 12
3D23	SENSOR,CLEAN OIL LEVEL(TSN -009999)	40 - 6	5D25	SHAFT, BEVEL.....	53 - 22
3E5	SENSOR,CLEAN OIL LEVEL(TSN 010000-).....	40 - 10	5D15	SHAFT, DIFFERENTIAL.....	53 - 12
3E1	SENSOR,ENGINE SPEED(TSN -009999).....	40 - 8	5E20	SHAFT, DIFFERENTIAL.....	54 - 8
3E3	SENSOR,ENGINE SPEED(TSN -009999).....	40 - 9A	5E15	SHAFT, DIFFERENTIAL DRIVE	54 - 2
3E7	SENSOR,ENGINE SPEED(TSN 010000-)	40 - 12	5F12	SHAFT, DIFFERENTIAL DRIVE	54 - 24
3G17	SENSOR,FOOT THROTTLE	40 - 73	4F22	SHAFT, INPUT	51 - 26
3E1	SENSOR,FUEL TEMPERTURE(TSN -009999).....	40 - 8	4F24	SHAFT, INPUT	51 - 28
3E3	SENSOR,FUEL TEMPERTURE(TSN -009999).....	40 - 9A	4I1	SHAFT, INPUT	51 - 78
3E7	SENSOR,FUEL TEMPERTURE(TSN 010000-)	40 - 12	4I3	SHAFT, INPUT	51 - 80
3D23	SENSOR,HYDRAULIC OIL FILTER RESTRICTION(TSN -009999)	40 - 6	4G5	SHAFT, OUTPUT	51 - 34
3E5	SENSOR,HYDRAULIC OIL FILTER RESTRICTION (TSN 010000-)	40 - 10	4G7	SHAFT, OUTPUT	51 - 36
3D23	SENSOR,HYDRAULIC OIL PRESSURE(TSN -009999)	40 - 6	4I9	SHAFT, OUTPUT	51 - 86
3E5	SENSOR,HYDRAULIC OIL PRESSURE(TSN 010000-)	40 - 10	4I11	SHAFT, OUTPUT	51 - 88
3D23	SENSOR,HYDRAULIC OIL TEMPERATURE(TSN -009999)	40 - 6	4G9	SHAFT, PTO.....	51 - 38
3E5	SENSOR,HYDRAULIC OIL TEMPERATURE(TSN 010000-)	40 - 10	4I13	SHAFT, PTO.....	51 - 90
3D23	SENSOR,PTO SPEED(STANDARD)(TSN -009999).....	40 - 6	5E1	SHAFT, PTO OUTPUT.....	53 - 24
3E5	SENSOR,PTO SPEED(STANDARD)(TSN 010000-).....	40 - 10	5E3	SHAFT, PTO OUTPUT.....	53 - 26
3E1	SENSOR,RADAR(TSN -009999)	40 - 8	5E5	SHAFT, PTO OUTPUT.....	53 - 28
3E3	SENSOR,RADAR(TSN -009999)	40 - 9A	1D21	SHAFT, ROCKER ARM (6076) (EARLY TSN 8100,8200,8300)	20 - 8
3E7	SENSOR,RADAR(TSN 010000-)	40 - 12	1F15	SHAFT, ROCKER ARM (6081) (LATE TSN-8100,8200,8300).....	20 - 44
3D23	SENSOR,REAR PTO SPEED(TSN -009999)	40 - 6	1H2	SHAFT, ROCKER ARM (8400)	20 - 80
			6D10	SHAFT, STEERING	60 - 6
			5F11	SHIELD, DRIVELINE	54 - 22
			8F11	SHIELD, EXHAUST PIPE.....	80 - 32
			1D17	SHIELD, EXHAUST VALVE (6076) (EARLY TSN-8100,8200,8300)	20 - 4
			1F10	SHIELD, EXHAUST VALVE (6081) (LATE TSN-8100,8200,8300).....	20 - 40
			1G22	SHIELD, EXHAUST VALVE (8400)	20 - 76

ALPHABETICAL INDEX - CONTINUED

GRID		PAGE	GRID		PAGE
2E6	SHIELD, MUFFLER	30-24	4H13	SOLENOID VALVE	51-66
4G15	SHIELD, PTO DRIVELINE	51-44	5D13	SOLENOID VALVE	53-10
5E7	SHIELD, PTO MASTER	53-30	2E24	SOLENOID, FUEL SHUT-OFF (6076)	30-38
9E7	SHIELD, REAR FENDER	91-26	2F9	SOLENOID, FUEL SHUT-OFF (6081) (LATE TSN-8100,8200,8300)	30-48
9E9	SHIELD, REAR FENDER (EUROPEAN VERSION)	91-28	2F11	SOLENOID, FUEL SHUT-OFF (6081) (LATE TSN-8100,8200,8300)	30-49A
4E1	SHIELD,EXTREMITY WARNING LAMP(027100-)	42-22	2F21	SOLENOID, FUEL SHUT-OFF (8400)	30-58
3H8	SHIELD,RADAR(TSN XXXXXX-)	40-88	7I1	SOLENOID, SCV	70-120
2E5	SHIELDS, EXHAUST	30-23	2E24	SOLENOID, SHUT-OFF HOUSING (6076)	30-38
8F19	SHIELDS, SIDE, ENGINE	80-40	2F9	SOLENOID, SHUT-OFF HOUSING (6081) (LATE TSN-8100,8200,8300)	30-48
3F24	SHIFT LEVER GUIDE(ARMREST)	40-56	2F11	SOLENOID, SHUT-OFF HOUSING (6081) (LATE TSN-8100,8200,8300)	30-49A
3F24	SHIFT LEVER KNOB(ARMREST)	40-56	2F21	SOLENOID, SHUT-OFF HOUSING (8400)	30-58
3F24	SHIFT LEVER,TRANSMISSION CONTROL(ARMREST)	40-56	3D19	SOLENOID,MFWD(TSN -019999)	40-2
1E14	SHIM, LINER (6076) (EARLY TSN 8100,8200,8300)	20-20	3D21	SOLENOID,PTO(TSN -009999)	40-6
1G6	SHIM, LINER (6081) (LATE TSN-8100,8200,8300)	20-58	3D23	SOLENOID,PTO(TSN 010000-)	40-10
1H17	SHIM, LINER (6081HRW01)(8400)	20-95	3D23	SOLENOID,SCV(TSN -009999)	40-6
1F19	SHORT BLOCK (WITH HEAD BOLTS)(6081) (LATE TSN-81,82,8300)	20-48	3E5	SOLENOID,SCV(TSN 010000-)	40-10
1E3	SHORT BLOCK (6076)(EARLY TSN 8100 8200,8300)(WITH HEAD BOLTS)	20-13A	3D19	SOLENOIDS,TRANSMISSION(TSN -019999)	40-2
1H6	SHORT BLOCK (8400) (WITHOUT HEAD BOLTS)	20-84	3D21	SOLENOIDS,TRANSMISSION(TSN 020000-)	40-4
1H8	SHORT BLOCK (8400) (WITH HEAD BOLTS)	20-86	7F21	SPACER KIT, CENTER LINK BRACKET (EUROPEAN VERSION)	70-66
1F7	SHORT BLOCK GASKET KIT (6076)	20-38	3H19	SPEAKER	40-99
1I8	SHORT BLOCK GASKET KIT (6081)	20-110	3H18	SPEAKER,RADIO	40-98
1G20	SHORT BLOCK GASKET KIT (6081) (LATE TSN-8100,8200,8300)	20-74	5D25	SPIRAL BEVEL	53-22
1E1	SHORT BLOCK(6076)(EARLY TSN-8100,8200,83 00)WITHOUT HEAD BLOTS)	20-12	5E18	SPIRAL BEVEL	54-5
2E24	SHUT-OFF HOUSING SOLENOID (6076)	30-38	5G3	SPIRAL BEVEL GEAR SET, MFWD, HIGH CAPACITY (ASN 0001-000747; 80001-	54-40
2F9	SHUT-OFF HOUSING SOLENOID (6081) (LATE TSN-8100,8200,8300)	30-48	5G1	SPIRAL BEVEL GEAR SET, MFWD, STANDARD, (ASN 000001-000747; 800001-	54-38
2F11	SHUT-OFF HOUSING SOLENOID (6081) (LATE TSN-8100,8200,8300)	30-49A	7F13	SPRING, DRAFT LINK (EUROPEAN VERSION)	70-58
2F21	SHUT-OFF HOUSING SOLENOID (8400)	30-58	5E15	SPUR GEAR DRIVE	54-2
9E11	SIDE EXTENSION, REAR FENDER	91-30	5F12	SPUR GEAR DRIVE	54-24
9E12	SIDE EXTENSION, REAR FENDER (EUROPEAN VERSION)	91-31	7J5	STABILIZER, HITCH (EUROPEAN VERSION) (EARLY DESIGN)	70-148
8F21	SIDE PANEL (8100, 8200, 8300)	80-42	7J7	STABILIZER, HITCH (EUROPEAN VERSION) (LATE DESIGN)	70-150
8F22	SIDE PANEL (8400)	80-43	5E1	STANDARD PTO	53-24
8F19	SIDE SHIELDS, ENGINE	80-40	4E14	START SWITCH CONNECTOR	43-9
7F5	SIGHT GAUGE, HITCH	70-50	1E13	STARTER GEAR (6076) (EARLY TSN 8100,8200,8300)	20-19
5F1	SLEEVE, AXLE RETAINING	54-14	1G4	STARTER GEAR (6081) (LATE TSN-8100,8200,8300)	20-56
5F3	SLEEVE, AXLE RETAINING	54-16	1H16	STARTER GEAR (8400)	20-94
5F24	SLEEVE, AXLE RETAINING	54-36	3I14	STARTER SOLENOID COVER (DENSO) (6076)	41-4
8G5	SLOW MOVING VEHICLE EMBLEM	80-52	3I15	STARTER SOLENOID COVER (NIPPONDENSO) (6081) (LATE TSN-8100,8200,8300)	41-4A
8G5	SMV EMBLEM	80-52	3E1	STARTER(TSN -009999)	40-8
3E1	SOLENOID STARTING AID(TSN -009999)	40-8	3E3	STARTER(TSN -009999)	40-9A
3E3	SOLENOID STARTING AID(TSN -009999)	40-9A	3E7	STARTER(TSN 010000-)	40-12
3E7	SOLENOID STARTING AID(TSN 010000)	40-12	2E8	STARTING AID	30-26
3I17	SOLENOID SWITCH,STARTING MOTOR (8100,8200,8300,8400)	41-6	3E1	STARTING AID SOLENOID(TSN -009999)	40-8
3I20	SOLENOID SWITCH,STARTING MOTOR (8100,8200,8300,8400)	41-10	3E3	STARTING AID SOLENOID(TSN -009999)	40-9A
4F3	SOLENOID VALVE	51-6	3E7	STARTING AID SOLENOID(TSN 010000)	40-12
4F5	SOLENOID VALVE	51-8	3F9	STARTING CIRCUIT RELAY	40-40
4F7	SOLENOID VALVE	51-10	3F9	STARTING CIRCUIT RELAY COVER	40-40
4F9	SOLENOID VALVE	51-12	3E1	STARTING CIRCUIT RELAY(TSN -009999)	40-8
4F11	SOLENOID VALVE	51-14	3E3	STARTING CIRCUIT RELAY(TSN -009999)	40-9A
4G17	SOLENOID VALVE	51-46	3E7	STARTING CIRCUIT RELAY(TSN 010000-)	40-12
4H5	SOLENOID VALVE	51-58	2E10	STARTING FITTINGS, ETHER (6076)	30-28
4H7	SOLENOID VALVE	51-60	3I14	STARTING MOTOR (DENSO) (12V F4) (6076)	41-4
4H9	SOLENOID VALVE	51-62			
4H11	SOLENOID VALVE	51-64			

ALPHABETICAL INDEX - CONTINUED

GRID	PAGE	GRID	PAGE
3115	STARTING MOTOR (NIPPONDENSO) (12V F4) (6081) (LATE TSN-8100,8200,8300).....	41 - 4A	1D20 STRAPS, ENGINE LIFT (6076).....
3117	STARTING MOTOR ARMATURE(8100,8200,8300,8 400).....	41 - 6	1H1 STRAPS, ENGINE LIFT (6081).....
3117	STARTING MOTOR CLUTCH(8100,8200,8300,840 0).....	41 - 6	1F14 STRAPS, ENGINE LIFT (6081) (LATE TSN-81,82,8300).....
3120	STARTING MOTOR CLUTCH(8100,8200,8300,840 0).....	41 - 10	5F9 SUN PINION.....
3116	STARTING MOTOR COVER(8400).....	41 - 5	5F22 SUN PINION.....
3117	STARTING MOTOR FIELD WINDING COIL (8100,8200,8300,8400).....	41 - 6	5G5 SUN PINION.....
3119	STARTING MOTOR SOLENOID SWITCH.....	41 - 8	9D25 SUN VISOR.....
3117	STARTING MOTOR SOLENOID SWITCH (8100,8200,8300,8400).....	41 - 6	9E5 SUN VISOR.....
3120	STARTING MOTOR SOLENOID SWITCH (8100,8200,8300,8400).....	41 - 10	7E12 SUPPORT, DRAFT LINK.....
3119	STARTING MOTOR SOLENOID SWITCH COVER.....	41 - 8	7F16 SUPPORT, DRAFT LINK RELEASE CABLE (EUROPEAN VERSION).....
3117	STARTING MOTOR(8100,8200,8300,8400).....	41 - 6	7G3 SUPPORT, DRAWBAR FRONT (8100,8200,8300).....
3120	STARTING MOTOR(8100,8200,8300,8400).....	41 - 10	7G9 SUPPORT, DRAWBAR FRONT (8400).....
3116	STARTING MOTOR(8400).....	41 - 5	8E9 SUPPORT, FRONT AXLE REAR PIVOT.....
9F1	STATIONARY RIGHT-HAND GLASS.....	91 - 46	7E1 SUPPORT, HYDRAULIC OIL COOLER.....
8H8	STATOR,A/C.....	90 - 4	7G17 SUPPORT, REGULAR DRAWBAR FRONT (EUROPEAN VERSION).....
8F4	STEEL DISK REAR WHEEL WEIGHTS (10-BOLT HUB ONLY)(34", 38", 42", 46", OR 50").....	80 - 24	9E1 SUPPORTS, HEADLINER.....
8E23	STEEL DISK REAR WHEELS (10-BOLT HUB).....	80 - 18	9G2 SUPPORTS, SEAT BACKREST.....
5F1	STEERING ARM.....	54 - 14	7F11 SWAY BLOCK.....
5F3	STEERING ARM.....	54 - 16	7E6 SWITCH, HYDRAULIC OIL FILTER.....
5F24	STEERING ARM.....	54 - 36	6D6 SWITCH, TURN SIGNAL.....
8E15	STEERING ARM.....	80 - 8	3F16 SWITCH,A/C HEATING FAN(TSN -009999).....
9D17	STEERING COLUMN COVER.....	91 - 12	3F18 SWITCH,A/C / HEATING FAN(TSN 010000-).....
6D8	STEERING COLUMN PIVOT.....	60 - 4	3E13 SWITCH,A/C COMPRESSOR(EUROPEAN VERSION)(TSN -009999).....
3E13	STEERING COLUMN(EUROPEAN VERSION)(TSN -009999).....	40 - 18	3E15 SWITCH,A/C COMPRESSOR(EUROPEAN VERSION)(TSN 010000-).....
3E15	STEERING COLUMN(EUROPEAN VERSION)(TSN 010000-).....	40 - 20	3E9 SWITCH,A/C COMPRESSOR(NORTH AMERICAN VERSION)(-009999).....
3E9	STEERING COLUMN(NORTH AMERICAN VERSION)(TSN -009999).....	40 - 14	3E11 SWITCH,A/C COMPRESSOR(NORTH AMERICAN VERSION)(TSN 010000-).....
3E11	STEERING COLUMN(NORTH AMERICAN VERSION)(TSN 010000-).....	40 - 16	3F16 SWITCH,A/C COMPRESSOR(TSN -009999).....
3E17	STEERING COLUMN(UKRAINIAN VERSION).....	40 - 22	3F18 SWITCH,A/C COMPRESSOR(TSN 010000-).....
6D20	STEERING CYLINDER (ADJUSTABLE AXLE).....	60 - 16	3E17 SWITCH,A/C COMPRESSOR(UKRAINIAN VERSION).....
6D22	STEERING CYLINDER (ADJUSTABLE AXLE).....	60 - 17B	3E13 SWITCH,A/C DEICING(EUROPEAN VERSION)(TSN -009999).....
6D23	STEERING CYLINDER (MFWD).....	60 - 18	3E15 SWITCH,A/C DEICING(EUROPEAN VERSION)(TSN 010000-).....
6D25	STEERING CYLINDER (MFWD) (LATE DESIGN).....	60 - 21	3E9 SWITCH,A/C DEICING(NORTH AMERICAN VERSION)(TSN -009999).....
6E1	STEERING CYLINDER (MFWD) (LATE DESIGN).....	60 - 21A	3E11 SWITCH,A/C DEICING(NORTH AMERICAN VERSION)(TSN 010000-).....
6E2	STEERING CYLINDER (MFWD) (LATE DESIGN).....	60 - 21B	3E17 SWITCH,A/C DEICING(UKRAINIAN VERSION).....
6E3	STEERING CYLINDER LINES (MFWD).....	60 - 22	3E13 SWITCH,A/C HIGH PRESSURE(EUROPEAN VERSION)(TSN -009999).....
6E5	STEERING CYLINDER LINES (W/O MFWD) (EARLY DESIGN).....	60 - 24	3E15 SWITCH,A/C HIGH PRESSURE(EUROPEAN VERSION)(TSN 010000-).....
6E7	STEERING CYLINDER LINES (W/O MFWD) (LATE DESIGN).....	60 - 26	3E9 SWITCH,A/C HIGH(NORTH AMERICAN VERSION)(-009999).....
6D21	STEERING CYLINDER SEAL KIT (ADJUSTABLE AXLE) (EARLY DESIGN).....	60 - 17	3E11 SWITCH,A/C HIGH(NORTH AMERICAN VERSION)(TSN 010000-).....
6E9	STEERING PUMP.....	60 - 28	3E17 SWITCH,A/C HIGH(UKRAINIAN VERSION).....
6E15	STEERING PUMP FRONT LINE.....	60 - 34	3E13 SWITCH,A/C LOW PRESSURE(EUROPEAN VERSION)(TSN -009999).....
6E13	STEERING PUMP REAR LINES.....	60 - 32	3E15 SWITCH,A/C LOW PRESSURE(EUROPEAN VERSION)(TSN 010000-).....
6E10	STEERING PUMP/CHARGE PUMP.....	60 - 29	3E9 SWITCH,A/C LOW(NORTH AMERICAN VERSION)(TSN -009999).....
6D10	STEERING SHAFT.....	60 - 6	3E11 SWITCH,A/C LOW(NORTH AMERICAN VERSION)(TSN 010000-).....
6D14	STEERING VALVE (MFWD).....	60 - 10	3E17 SWITCH,A/C LOW(UKRAINIAN VERSION).....
6D15	STEERING VALVE (W/O MFWD).....	60 - 11	3E13 SWITCH,A/C HEATING FAN(EUROPEAN VERSION)(TSN -009999).....
6D13	STEERING VALVE BRACKET.....	60 - 9	
6D17	STEERING VALVE SEAL KIT.....	60 - 13	
6D6	STEERING WHEEL.....	60 - 2	
9E13	STEP, LEFT HAND.....	91 - 32	
9D21	STORAGE TRAY.....	91 - 16	
7G5	STRAP, DRAWBAR (8100,8200,8300) (EARLY DESIGN).....	70 - 74	

ALPHABETICAL INDEX - CONTINUED

<i>GRID</i>	<i>PAGE</i>	<i>GRID</i>	<i>PAGE</i>
3E15 SWITCH,A/C-HEATING FAN(EUROPEAN VERSION)(TSN 010000-)	40 - 20	3F16 SWITCH,FRONT WIPER/WASHER(TSN -009999).....	40 - 48
3E9 SWITCH,A/C-HEATING FAN(NORTH AMERICAN VERSION)(-009999)	40 - 14	3F18 SWITCH,FRONT WIPER/WASHER(TSN 010000-)	40 - 50
3E11 SWITCH,A/C-HEATING FAN(NORTH AMERICAN VERSION)(TSN 010000-)	40 - 16	3E17 SWITCH,FRONT WIPER/WASHER(UKRAINIAN VERSION).....	40 - 22
3E17 SWITCH,A/C-HEATING FAN(UKRAINIAN VERSION).....	40 - 22	3D19 SWITCH,GROUND DRIVE PUMP(TSN -019999).....	40 - 2
3F5 SWITCH,AIR BRAKE PRESSURE(EUROPEAN VERSION).....	40 - 35	3D21 SWITCH,GROUND DRIVE PUMP(TSN 020000-).....	40 - 4
3G25 SWITCH,BRAKE	40 - 81	3E13 SWITCH,HAZARD LIGHTS(EUROPEAN VERSION)(TSN -009999)	40 - 18
3E13 SWITCH,BRAKE(EUROPEAN VERSION)(TSN -009999)	40 - 18	3E15 SWITCH,HAZARD LIGHTS(EUROPEAN VERSION)(TSN 010000-)	40 - 20
3E15 SWITCH,BRAKE(EUROPEAN VERSION)(TSN 010000-)	40 - 20	3E9 SWITCH,HAZARD LIGHTS(NORTH AMERICAN VERSION)(TSN -009999)	40 - 14
3E9 SWITCH,BRAKE(NORTH AMERICAN VERSION)(TSN -009999)	40 - 14	3E11 SWITCH,HAZARD LIGHTS(NORTH AMERICAN VERSION)(TSN 010000-)	40 - 16
3E11 SWITCH,BRAKE(NORTH AMERICAN VERSION)(TSN 010000-)	40 - 16	3F16 SWITCH,HAZARD LIGHTS(TSN -009999)	40 - 48
3E17 SWITCH,BRAKE(UKRAINIAN VERSION)	40 - 22	3F18 SWITCH,HAZARD LIGHTS(TSN 010000-)	40 - 50
3D19 SWITCH,CLUTCH DISENGAGE(TSN -019999)	40 - 2	3E17 SWITCH,HAZARD LIGHTS(UKRAINIAN VERSION).....	40 - 22
3D21 SWITCH,CLUTCH DISENGAGE(TSN 020000-)	40 - 4	8H9 SWITCH,HIGH PRESSURE A/C	90 - 6
3D19 SWITCH,CLUTCH ENGAGE PRESSURE(TSN -019999)	40 - 2	3G19 SWITCH,HITCH CONTROL(EUROPEAN VERSION)	40 - 75
3D21 SWITCH,CLUTCH ENGAGE PRESSURE(TSN 020000-)	40 - 4	3G18 SWITCH,HITCH CONTROL(NORTH AMERICAN VERSION).....	40 - 74
3E13 SWITCH,DIFFERENTIAL LOCK(EUROPEAN VERSION)(TSN -009999)	40 - 18	3G1 SWITCH,HITCH RAISE/LOWER(ARMREST)	40 - 58
3E15 SWITCH,DIFFERENTIAL LOCK(EUROPEAN VERSION)(TSN 010000-)	40 - 20	3E13 SWITCH,HITCH(EUROPEAN VERSION)(TSN -009999)	40 - 18
3E9 SWITCH,DIFFERENTIAL LOCK(NORTH AMERICAN VERSION)(TSN -009999)	40 - 14	3E15 SWITCH,HITCH(EUROPEAN VERSION)(TSN 010000-)	40 - 20
3E11 SWITCH,DIFFERENTIAL LOCK(NORTH AMERICAN VERSION)(TSN 010000-)	40 - 16	3E9 SWITCH,HITCH(NORTH AMERICAN VERSION)(TSN -009999)	40 - 14
3E17 SWITCH,DIFFERENTIAL LOCK(UKRAINIAN VERSION).....	40 - 22	3E11 SWITCH,HITCH(NORTH AMERICAN VERSION)(TSN 010000-)	40 - 16
3G20 SWITCH,DOME LIGHT.....	40 - 76	3E17 SWITCH,HITCH(UKRAINIAN VERSION).....	40 - 22
3E13 SWITCH,DOME LIGHT(EUROPEAN VERSION)(TSN -009999)	40 - 18	3G24 SWITCH,HYDRAULIC DIFFERENTIAL LOCK	40 - 80
3E15 SWITCH,DOME LIGHT(EUROPEAN VERSION)(TSN 010000-)	40 - 20	3H14 SWITCH,IMPLEMENT	40 - 94
3E9 SWITCH,DOME LIGHT(NORTH AMERICAN VERSION)(TSN -009999)	40 - 14	3F21 SWITCH,KEY	40 - 53
3E11 SWITCH,DOME LIGHT(NORTH AMERICAN VERSION)(TSN 010000-)	40 - 16	3E13 SWITCH,KEY(EUROPEAN VERSION)(TSN -009999)	40 - 18
3E17 SWITCH,DOME LIGHT(UKRAINIAN VERSION).....	40 - 22	3E15 SWITCH,KEY(EUROPEAN VERSION)(TSN 010000-)	40 - 20
3G21 SWITCH,DOME,DOOR.....	40 - 77	3E9 SWITCH,KEY(NORTH AMERICAN VERSION)(TSN -009999)	40 - 14
3F21 SWITCH,ETHER AID	40 - 53	3E11 SWITCH,KEY(NORTH AMERICAN VERSION)(TSN 010000-)	40 - 16
3E13 SWITCH,ETHER AID(EUROPEAN VERSION)(TSN -009999)	40 - 18	3E17 SWITCH,KEY(UKRAINIAN VERSION)	40 - 22
3E15 SWITCH,ETHER AID(EUROPEAN VERSION)(TSN 010000-)	40 - 20	8H9 SWITCH,LOW PRESSURE A/C.....	90 - 6
3E9 SWITCH,ETHER AID(NORTH AMERICAN VERSION)(TSN -009999)	40 - 14	3E13 SWITCH,MAIN LIGHTS(EUROPEAN VERSION)(TSN -009999)	40 - 18
3E11 SWITCH,ETHER AID(NORTH AMERICAN VERSION)(TSN 010000-)	40 - 16	3E15 SWITCH,MAIN LIGHTS(EUROPEAN VERSION)(TSN 010000-)	40 - 20
3E17 SWITCH,ETHER AID(UKRAINIAN VERSION)	40 - 22	3E9 SWITCH,MAIN LIGHTS(NORTH AMERICAN VERSION)(-009999)	40 - 14
3F16 SWITCH,FIELD CRUISE(TSN -009999)	40 - 48	3E11 SWITCH,MAIN LIGHTS(NORTH AMERICAN VERSION)(TSN 010000-)	40 - 16
3F18 SWITCH,FIELD CRUISE(TSN 010000-)	40 - 50	3F16 SWITCH,MAIN LIGHTS(TSN -009999)	40 - 48
3E13 SWITCH,FRONT WIPER/WASHER(EUROPEAN VERSION)(TSN -009999)	40 - 18	3F18 SWITCH,MAIN LIGHTS(TSN 010000-)	40 - 50
3E15 SWITCH,FRONT WIPER/WASHER(EUROPEAN VERSION)(TSN 010000-)	40 - 20	3E17 SWITCH,MAIN LIGHTS(UKRAINIAN VERSION)	40 - 22
3E9 SWITCH,FRONT WIPER/WASHER(NORTH AMERICAN VERSION)(-009999)	40 - 14	3E13 SWITCH,MFWD(EUROPEAN VERSION)(TSN -009999)	40 - 18
3E11 SWITCH,FRONT WIPER/WASHER(NORTH AMERICAN VERSION)(TSN 010000-)	40 - 16	3E15 SWITCH,MFWD(EUROPEAN VERSION)(TSN 010000-)	40 - 20
		3E9 SWITCH,MFWD(NORTH AMERICAN VERSION)(TSN -009999)	40 - 14
		3E11 SWITCH,MFWD(NORTH AMERICAN VERSION)(TSN 010000-)	40 - 16
		3F16 SWITCH,MFWD(TSN -009999)	40 - 48
		3F18 SWITCH,MFWD(TSN 010000-)	40 - 50
		3E17 SWITCH,MFWD(UKRAINIAN VERSION).....	40 - 22
		3F24 SWITCH,NEUTRAL START	40 - 56

ALPHABETICAL INDEX - CONTINUED

GRID		PAGE	GRID		PAGE
3E1	SWITCH,OIL PRESSURE TRANSDUCER(TSN -009999)	40 - 8	2F9	TEMPERATURE SENSOR (6081) (LATE TSN-8100,8200,8300)	30 - 48
3E3	SWITCH,OIL PRESSURE TRANSDUCER(TSN -009999)	40 - 9A	2F11	TEMPERATURE SENSOR (6081) (LATE TSN-8100,8200,8300)	30 - 49A
3E7	SWITCH,OIL PRESSURE TRANSDUCER(TSN 010000-)	40 - 12	2F21	TEMPERATURE SENSOR (8400)	30 - 58
3F1	SWITCH,OPERATOR PRESENCE(SEAT)	40 - 31	2D25	TEMPERATURE SENSOR, AIR INTAKE (8400)	30 - 17
3F1	SWITCH,RAISE/LOWER SEAT	40 - 31	2D21	TEMPERATURE SENSOR, AIR INTAKE (6081) (LATE TSN-8100,8200,8300)	30 - 13
3E13	SWITCH,REAR WIPER/WASHER(EUROPEAN VERSION)(TSN -009999)	40 - 18	4E14	TERMINAL BOARD,FUSE	43 - 9
3E15	SWITCH,REAR WIPER/WASHER(EUROPEAN VERSION)(TSN 010000-)	40 - 20	4E14	TERMINAL BOARD,RELAY	43 - 9
3E9	SWITCH,REAR WIPER/WASHER(NORTH AMERICAN VERSION)(TSN -009999)	40 - 14	3I23	TERMINAL CAP	41 - 13
3E11	SWITCH,REAR WIPER/WASHER(NORTH AMERICAN VERSION)(TSN 010000-)	40 - 16	4E13	TERMINAL,ELECTRICAL	43 - 8
3F16	SWITCH,REAR WIPER/WASHER(TSN -009999)	40 - 48	4E11	TERMINAL,METRI-PACK	43 - 6
3F18	SWITCH,REAR WIPER/WASHER(TSN 010000-)	40 - 50	3I23	TERMINAL,POSITIVE	41 - 13
3E17	SWITCH,REAR WIPER/WASHER(UKRAINIAN VERSION)	40 - 22	4E7	TERMINAL,WEATHERPACK	43 - 2
3E13	SWITCH,SECONDARY HAND BRAKE(EUROPEAN VERSION)(TSN -009999)	40 - 18	4E9	TERMINALS,METRI-PACK	43 - 4
3E15	SWITCH,SECONDARY HAND BRAKE(EUROPEAN VERSION)(TSN 010000-)	40 - 20	1F6	THERMOSTAT HOUSING, FRONT (6076)	20 - 37A
3I19	SWITCH,STARTING MOTOR SOLENOID	41 - 8	1F5	THERMOSTAT HOUSING, FRONT (6076) (EARLY TSN-8100,8200,8300)	20 - 37
3D19	SWITCH,TRANSMISSION PRESSURE(TSN -019999)	40 - 2	1G19	THERMOSTAT HOUSING, FRONT (6081) (LATE TSN-8100,8200,8300)	20 - 73
3D21	SWITCH,TRANSMISSION PRESSURE(TSN 020000-)	40 - 4	1I7	THERMOSTAT HOUSING, FRONT (8400)	20 - 109
3E13	SWITCH,WORK LIGHT(EUROPEAN VERSION)(TSN -009999)	40 - 18	8H19	THERMOSTAT,HEATER AND A/C	90 - 16
3E15	SWITCH,WORK LIGHT(EUROPEAN VERSION)(TSN 010000-)	40 - 20	3G17	THROTTLE,FOOT	40 - 73
3F16	SWITCH,WORK LIGHTS(TSN -009999)	40 - 48	1E15	THRUST BEARING (6076) (EARLT TSN 8100,8200,8300)	20 - 21
3F18	SWITCH,WORK LIGHTS(TSN 010000-)	40 - 50	1G5	THRUST BEARING (6081) (LATE TSN-8100,8200,8300)	20 - 57
T					
3E13	TACHOMETER(EUROPEAN VERSION)(TSN -009999)	40 - 18	1H18	THRUST BEARING (8400)	20 - 96
3E15	TACHOMETER(EUROPEAN VERSION)(TSN 010000-)	40 - 20	1E15	THRUST WASHER (6076) (EARLY TSN 8100,8200,8300)	20 - 21
3E11	TACHOMETER(NORTH AMERICAN VERSION)(TSN 010000-)	40 - 16	1G5	THRUST WASHER (6081) (LATE TSN-8100,8200,8300)	20 - 57
3E9	TACHOMETER(NORTH AMERICAN VERSION))(TSN -009999)	40 - 14	1H18	THRUST WASHER (8400)	20 - 96
3E17	TACHOMETER(UKRAINIAN VERSION)	40 - 22	8E15	TIE ROD	80 - 8
8F9	TACTOR FRONT SUPPORT	80 - 30	5E23	TIE ROD ASSEMBLY	54 - 12
8G19	TAG, BATTERY CABLE (SPANISH)	80 - 66	1E17	TIMING GEAR COVER (6076) (EARLY TSN-8100,8200,8300)	20 - 23
3E13	TAIL LIGHT(EUROPEAN VERSION)(TSN -009999)	40 - 18	1G8	TIMING GEAR COVER (6081) (LATE TSN-8100,8200,8300)	20 - 60
3E15	TAIL LIGHT(EUROPEAN VERSION)(TSN 010000-)	40 - 20	1H20	TIMING GEAR COVER (8400 TRACTOR)	20 - 98
4D6	TAIL LIGHT(EV)(TSN -009999)	42 - 2	1E17	TIMING GEAR COVER GASKET (6076) (EARLY TSN-8100,8200,8300)	20 - 23
4D7	TAIL LIGHT(EV)(TSN 010000-)	42 - 3	1G8	TIMING GEAR COVER GASKET (6081) (LATE TSN-8100,8200,8300)	20 - 60
4D5	TAIL LIGHT(NAV)	42 - 1	1H20	TIMING GEAR COVER GASKET (8400 TRACTOR)	20 - 98
3E9	TAIL LIGHT(NORTH AMERICAN VERSION)(TSN -009999)	40 - 14	8G2	TOOL BOX	80 - 49
3E11	TAIL LIGHT(NORTH AMERICAN VERSION)(TSN 010000-)	40 - 16	1D14	TORQ-GARD ENGINE OIL	20 - 1
3E17	TAIL LIGHT(UKRAINIAN VERSION)	40 - 22	9D11	TOW DISCONNECT LEVER (CAB)	91 - 6
6H10	TANK, AIR BRAKE AIR (EUROPEAN VERSION)	60 - 98	6G15	TRAILER BRAKE VALVE (EUROPEAN VERSION)	60 - 78
6H12	TANK, AIR BRAKE AIR (LATE DESIGN)	60 - 100	6G13	TRAILER BRAKE VALVE KIT (EUROPEAN VERSION)	60 - 76
2G8	TANK, FUEL	30 - 72	2F2	TRANSFER PUMP, FUEL (ROBERT BOSCH) (6076)	30 - 41
8H19	TEMPERATURE CONTROL CABLE	90 - 16	2F14	TRANSFER PUMP, FUEL (ROBERT BOSCH) (6081) (LATE TSN-81,82,8300)	30 - 51
2E24	TEMPERATURE SENSOR (6076)	30 - 38	2F24	TRANSFER PUMP, FUEL (ROBERT BOSCH) (8400 TRACTOR)	30 - 61
			7D9	TRANSMISSION AND HYDRAULIC OIL	70 - 1
			4G13	TRANSMISSION CASE	51 - 42
			4I17	TRANSMISSION CASE	51 - 94
			4F17	TRANSMISSION CASE REAR COVER	51 - 20
			4F19	TRANSMISSION CASE REAR COVER	51 - 22
			4H19	TRANSMISSION CASE REAR COVER	51 - 72
			4H21	TRANSMISSION CASE REAR COVER	51 - 74
			3F24	TRANSMISSION CONTROL BRACKET(ARMREST)	40 - 56

ALPHABETICAL INDEX - CONTINUED

GRID		PAGE	GRID		PAGE
3F24	TRANSMISSION CONTROL SELECTOR(ARMREST)	40 - 56	5F7	U-JOINT/WHEEL HUB MFWD RETROFIT SEAL KIT	54 - 18
3F24	TRANSMISSION CONTROL SHIFT LEVER(ARMREST)	40 - 56	1E7	UNDERHAUL KIT, ENGINE (6076)	20 - 13E
3I3	TRANSMISSION HEATER(EUROPEAN VERSION).....	40 - 108	1G3	UNDERSIZE CRANKSHAFT KIT (6081) (CONNECTING ROD JOURNAL)(81,82,83)	20 - 55B
3I1	TRANSMISSION HEATER(NORTH AMERICAN VERSION).....	40 - 106	1G2	UNDERSIZE MAIN BEARING CRANKSHAFT AND BEARING KIT (6081) (8100, 8200, 8300)	20 - 55A
4G19	TRANSMISSION LINES	51 - 48	9D19	UPHOLSTERY, FENDER, L.H. (CAB).....	91 - 14
4G21	TRANSMISSION LINES	51 - 50	9D23	UPHOLSTERY, POST (CAB).....	91 - 18
4G23	TRANSMISSION LINES	51 - 52	9E3	UPHOLSTERY, REAR (CAB).....	91 - 22
3D19	TRANSMISSION SOLENOIDS(TSN -019999)	40 - 2	9D15	UPHOLSTERY, RIGHT-HAND CONSOLE	91 - 10
3D21	TRANSMISSION SOLENOIDS(TSN 020000-)	40 - 4	9D15	UPPER LOAD CENTER ACCESS COVER	91 - 10
3D19	TRANSMISSION WIRING HARNESS(TSN -019999)	40 - 2		V	
3D21	TRANSMISSION WIRING HARNESS(TSN 020000-)	40 - 4	1G24	VALVE COVER (ESN -018791)(8400)	20 - 78
7F15	TRANSPORT HOOK, CENTER LINK (EUROPEAN VERSION).....	70 - 60	1G25	VALVE COVER (ESN 018792-) (8400)	20 - 78A
1G17	TUBE SEAL (6081) (LATE TSN-8100,8200,8300).....	20 - 70	1D19	VALVE COVER (6076) (EARLY TSN-8100,8200,8300)	20 - 6
1I5	TUBE SEAL (8400)	20 - 108	1F12	VALVE COVER (6081) (LATE TSN-8100,8200,8300).....	20 - 42
1E10	TUBE, ENGINE OIL DIPSTICK (6076) (EARLY TSN-8100,8200,8300)	20 - 16	1F13	VALVE COVER (6081) (LATE TSN-8100,8200,8300).....	20 - 42A
1H13	TUBE, ENGINE OIL DIPSTICK (6081)	20 - 91	1D17	VALVE SEAT INSERTS (6076) (EARLY TSN-8100,8200,8300)	20 - 4
1F24	TUBE, ENGINE OIL DIPSTICK (6081) (LATE TSN-81,82,8300).....	20 - 53	1F10	VALVE SEAT INSERTS (6081) (LATE TSN-8100,8200,8300).....	20 - 40
5E9	TUBE, OIL FILL	53 - 32	1G22	VALVE SEAT INSERTS (8400)	20 - 76
1F5	TUBE, WATER MANIFOLD (6076) (EARLY TSN-8100,8200,8300)	20 - 37	6G19	VALVE, AIR BRAKE CONTROL (EUROPEAN VERSION)	60 - 82
1F6	TUBE, WATER MANIFOLD (6076) (LATE DESIGN)	20 - 37A	6G21	VALVE, AIR BRAKE CONTROL (EUROPEAN VERSION) (LATE DESIGN)	60 - 84
1G14	TUBES, OIL COOLER (8100, 8200, 8300) (LATE TSN)	20 - 66	6H14	VALVE, AIR BRAKE CONTROL (EUROPEAN VERSION).....	60 - 102
1I4	TUBES, OIL COOLER (8400)	20 - 107	6H16	VALVE, AIR BRAKE CONTROL (EUROPEAN VERSION) (LATE DESIGN).....	60 - 104
1G13	TUBES, OIL COOLER BYPASS (6081) (LATE TSN-81,82,8300).....	20 - 65	6G17	VALVE, AIR BRAKE PRESSURE REGULATING (EUROPEAN VERSION)	60 - 80
2D18	TURBOCHARGER (6076) (EARLY TSN 8100,8200,8300)	30 - 10	6G17	VALVE, AIR BRAKE PRESSURE RELIEF (EUROPEAN VERSION)	60 - 80
2D22	TURBOCHARGER (6081) (LATE TSN-8100,8200,8300).....	30 - 14	6E19	VALVE, BRAKE	60 - 38
2E1	TURBOCHARGER (8400)	30 - 18	2E18	VALVE, FUEL CHECK (6076)	30 - 32
2D17	TURBOCHARGER CENTER HOUSING (SCHWITZER) (6076)	30 - 9	2E20	VALVE, FUEL CHECK (6076)	30 - 34
2E3	TURBOCHARGER CENTER HOUSING (SCHWITZER) (6081)	30 - 20	2F5	VALVE, FUEL CHECK (6081) (LATE TSN-8100,8200,8300).....	30 - 44
2D18	TURBOCHARGER GASKET (6076) (EARLY TSN 8100,8200,8300)	30 - 10	2G2	VALVE, FUEL CHECK (6081) (8400)	30 - 66
2D22	TURBOCHARGER GASKET (6081) (LATE TSN-8100,8200,8300).....	30 - 14	2G4	VALVE, FUEL CHECK (6081) (8400)	30 - 68
2E1	TURBOCHARGER GASKET (8400)	30 - 18	7I7	VALVE, HITCH	70 - 126
2D18	TURBOCHARGER OIL LINES (6076) (EARLY TSN 8100,8200,8300)	30 - 10	7I9	VALVE, HITCH	70 - 128
2D22	TURBOCHARGER OIL LINES (6081) (LATE TSN-8100,8200,8300).....	30 - 14	7I13	VALVE, HITCH VALVE RELIEF	70 - 132
2E1	TURBOCHARGER OIL LINES (8400)	30 - 18	4F1	VALVE, MANIFOLD	51 - 4
3E13	TURN SIGNAL FLASHER(EUROPEAN VERSION)(TSN -009999)	40 - 18	4F3	VALVE, MANIFOLD	51 - 6
3E15	TURN SIGNAL FLASHER(EUROPEAN VERSION)(TSN 010000-).....	40 - 20	4F5	VALVE, MANIFOLD	51 - 8
6D6	TURN SIGNAL SWITCH	60 - 2	4F7	VALVE, MANIFOLD	51 - 10
	U		4F9	VALVE, MANIFOLD	51 - 12
5F1	U JOINT ASSEMBLY	54 - 14	4F11	VALVE, MANIFOLD	51 - 14
5F3	U JOINT ASSEMBLY	54 - 16	4F13	VALVE, MANIFOLD	51 - 16
5F24	U JOINT ASSEMBLY	54 - 36	4H3	VALVE, MANIFOLD	51 - 56
			4H5	VALVE, MANIFOLD	51 - 58
			4H7	VALVE, MANIFOLD	51 - 60
			4H9	VALVE, MANIFOLD	51 - 62
			4H11	VALVE, MANIFOLD	51 - 64
			4H13	VALVE, MANIFOLD	51 - 66
			4H15	VALVE, MANIFOLD	51 - 68

ALPHABETICAL INDEX - CONTINUED

GRID		PAGE	GRID		PAGE
1I3	VALVE, OIL COOLER BYPASS (6081)	20 - 106	3F18	WARNING ALARM(TSN 010000-)	40 - 50
1E22	VALVE, OIL FILTER BYPASS (6076)	20 - 28	4D18	WARNING LIGHTS,ROOF(NAV)	42 - 14
1G15	VALVE, OIL FILTER BYPASS (6081) (LATE TSN-8100,8200,8300).....	20 - 68	3E19	WARNING LIGHTS,ROOF,NORTH AMERICAN VERSION	40 - 24
111	VALVE, OIL FILTER BYPASS (8400)	20 - 104	9E21	WASHER KIT, WINDSHIELD AND REAR	91 - 40
111	VALVE, OIL PRESSURE REGULATING (8400)	20 - 104	1E15	WASHER THRUST (6076) (EARLY TSN 8100,8200,8300)	20 - 21
1E22	VALVE, OIL PRESSURE REGULATING (6076).....	20 - 28	1D22	WASHER, CAMSHAFT THRUST (6076) (EARLY TSN-8100,8200,8300)	20 - 9
1G15	VALVE, OIL PRESSURE REGULATING (6081) (LATE TSN-8100,8200,8300).....	20 - 68	1G5	WASHER, THRUST (6081) (LATE TSN-8100,8200,8300).....	20 - 57
1G14	VALVE, OIL PRESSURE REGULATING (8100, 82 00, 8300) (LATE TSN).....	20 - 66	1H18	WASHER, THRUST (8400)	20 - 96
114	VALVE, OIL PRESSURE REGULATING (8400).....	20 - 107	1F6	WATER MANIFOLD GASKET (6076)	20 - 37A
6D14	VALVE, PRIORITY (MFWD).....	60 - 10	1F5	WATER MANIFOLD GASKET (6076) (EARLY TSN-8100,8200,8300)	20 - 37
6D15	VALVE, PRIORITY (W/O MFWD)	60 - 11	1G19	WATER MANIFOLD GASKET (6081) (LATE TSN-8100,8200,8300).....	20 - 73
7I1	VALVE, SCV PILOT	70 - 120	1I7	WATER MANIFOLD GASKET (8400)	20 - 109
7I2	VALVE, SCV PILOT	70 - 121	1F5	WATER MANIFOLD TUBE (6076) (EARLY TSN-8100,8200,8300)	20 - 37
6F23	VALVE, SECONDARY BRAKE	60 - 66	1F6	WATER MANIFOLD TUBE (6076) (LATE DESIGN)	20 - 37A
6G2	VALVE, SECONDARY BRAKE	60 - 69A	1F6	WATER MANIFOLD, FRONT (6076).....	20 - 37A
7H20	VALVE, SELECTIVE CONTROL	70 - 114	1F5	WATER MANIFOLD, FRONT (6076) (EARLY TSN-8100,8200,8300)	20 - 37
4F3	VALVE, SOLENOID	51 - 6	1G19	WATER MANIFOLD, FRONT (6081) (LATE TSN-8100,8200,8300).....	20 - 73
4F5	VALVE, SOLENOID	51 - 8	1I7	WATER MANIFOLD, FRONT (8400).....	20 - 109
4F7	VALVE, SOLENOID	51 - 10	1F2	WATER PUMP (6076) (EARLY TSN-8100,8200,8300)	20 - 34
4F9	VALVE, SOLENOID	51 - 12	1G17	WATER PUMP (6081) (LATE TSN-8100,8200,8300).....	20 - 70
4F11	VALVE, SOLENOID	51 - 14	1I5	WATER PUMP (8400)	20 - 108
4G17	VALVE, SOLENOID	51 - 46	1F2	WATER PUMP BEARING (6076) (EARLY TSN-8100,8200,8300)	20 - 34
4H5	VALVE, SOLENOID	51 - 58	1G17	WATER PUMP COVER (LATE TSN=81,82,8300)	20 - 70
4H7	VALVE, SOLENOID	51 - 60	1I5	WATER PUMP COVER (8400)	20 - 108
4H9	VALVE, SOLENOID	51 - 62	1F2	WATER PUMP GASKET (6076) (EARLY TSN-8100,8200,8300)	20 - 34
4H11	VALVE, SOLENOID	51 - 64	1G17	WATER PUMP GASKET (6081) (LATE TSN-8100,8200,8300).....	20 - 70
4H13	VALVE, SOLENOID	51 - 66	1I5	WATER PUMP GASKET (8400)	20 - 108
5D13	VALVE, SOLENOID	53 - 10	1F2	WATER PUMP IMPELLER (6076) (EARLY TSN-8100,8200,8300)	20 - 34
6D14	VALVE, STEERING (MFWD).....	60 - 10	1F4	WATER PUMP REPAIR KIT (6076) (EARLY TSN 8100,8200,8300)	20 - 36
6D15	VALVE, STEERING (W/O MFWD).....	60 - 11	1F2	WATER PUMP SEAL (6076) (EARLT TSN-8100,8200,8300)	20 - 34
6G15	VALVE, TRAILER BRAKE (EUROPEAN VERSION)	60 - 78	2E14	WATER SEPARATOR	30 - 30
8H19	VALVE,WATER.....	90 - 16	3E1	WATER TEMPERTURE SENSOR(TSN -009999).....	40 - 8
3E23	VALVE,5TH SCV	40 - 28	3E3	WATER TEMPERTURE SENSOR(TSN -009999).....	40 - 9A
1D17	VALVES, EXHAUST (6076) (EARLY TSN-8100,8200,8300)	20 - 4	3E7	WATER TEMPERTURE SENSOR(TSN 010000-).....	40 - 12
1F10	VALVES, EXHAUST (6081) (LATE TSN-8100,8200,8300).....	20 - 40	8H19	WATER VALVE	90 - 16
1G22	VALVES, EXHAUST (8400).....	20 - 76	7F11	WEAR PLATE, SWAY BLOCK	70 - 56
1D17	VALVES, INTAKE (6076) (EARLY TSN-8100,8200,8300)	20 - 4	4E7	WEATHERPACK CONNECTOR	43 - 2
1F10	VALVES, INTAKE (6081) (LATE TSN-8100,8200,8300).....	20 - 40	4E7	WEATHERPACK TERMINAL	43 - 2
1G22	VALVES, INTAKE (8400)	20 - 76	1F2	WEEP HOLE FILTER (WATER PUMP)(6076) (EARLY TSN-8100,8200,8300)	20 - 34
5D9	VALVES, PTO.....	53 - 6	8F17	WEIGHT SUPPORT	80 - 38
2G8	VENT, FUEL	30 - 72	8F2	WEIGHTS FOR CAST AND HEAVY CAST REAR WHEELS.....	80 - 22
9D25	VISOR, SUN	91 - 19A	8F3	WEIGHTS FOR CAST WHEELS	80 - 23
9E5	VISOR, SUN	91 - 24	8F17	WEIGHTS, FRAME.....	80 - 38
	W		8F15	WEIGHTS, FRAME (EUROPEAN VERSION).....	80 - 36
7H1	WAGON HITCH BRACKETS (EUROPEAN VERSION)(LATE DESIGN)	70 - 96	8F4	WEIGHTS, STEEL DISK REAR WHEEL (10-BOLT HUB ONLY)(34", 38", 42", 46". OR 50").....	80 - 24
7G23	WAGON HITCH BRACKETS (EUROPEAN VERSION) (EARLY DESIGN).....	70 - 94			
7H9	WAGON HITCH CONTROLS (EUROPEAN VERSION)	70 - 102			
7H5	WAGON HITCH COUPLER (EUROPEAN VERSION) (LATE DESIGN)	70 - 100			
7H7	WAGON HITCH COUPLER (EUROPEAN VERSION) (LATE DESIGN)	70 - 101A			
7H3	WAGON HITCH COUPLING (EUROPEAN VERSION)	70 - 98			
7J3	WAGON TILT KIT.....	70 - 146			
3F16	WARNING ALARM(TSN -009999)	40 - 48			

ALPHABETICAL INDEX - CONTINUED

<i>GRID</i>		<i>PAGE</i>	<i>GRID</i>		<i>PAGE</i>
5E22	WET DISK BRAKES.....	54 - 10	4E1	WIRING HARNESS,EXTREMITY WARNING LAMP(02 7100-.....	42 - 22
5F14	WET DISK BRAKES.....	54 - 26	3F2	WIRING HARNESS,FIELD OFFICE(TSN -009999)	40 - 32
5F9	WHEEL HUB.....	54 - 20	3F3	WIRING HARNESS,FIELD OFFICE(TSN 010000-).....	40 - 33
5F22	WHEEL HUB.....	54 - 34	4D16	WIRING HARNESS,FRONT HEADLIGHTS(UNITED KINGDOM)	42 - 12
5G5	WHEEL HUB.....	54 - 42	3E21	WIRING HARNESS,FUSE LINK	40 - 26
4G18	WHEEL SPEED SENSOR	51 - 47	3E1	WIRING HARNESS,HEADLIGHTS(TSN -009999)	40 - 8
8F2	WHEEL WEIGHTS	80 - 22	3E3	WIRING HARNESS,HEADLIGHTS(TSN -009999)	40 - 9A
8E17	WHEEL, FRONT.....	80 - 10	3E7	WIRING HARNESS,HEADLIGHTS(TSN 010000-).....	40 - 12
6D6	WHEEL, STEERING.....	60 - 2	3E1	WIRING HARNESS,HEADLIGHTS,UNITED KINGDOM(TSN -009999).....	40 - 8
8E21	WHEELS, CAST REAR	80 - 16	3E3	WIRING HARNESS,HEADLIGHTS,UNITED KINGDOM(TSN -009999)	40 - 9A
8E19	WHEELS, FRONT (MFWD)	80 - 14	3E7	WIRING HARNESS,HEADLIGHTS,UNITED KINGDOM(TSN 010000-)	40 - 12
8E23	WHEELS, STEEL DISK REAR (10-BOLT HUB).....	80 - 18	3H14	WIRING HARNESS,IMPLEMENT SWITCH.....	40 - 94
9E24	WINDOW, FRONT	91 - 44	3E25	WIRING HARNESS,LICENCE PLATE LAMP (EUROPEAN VERSION)	40 - 30
9F4	WINDOW, REAR	91 - 48	3H23	WIRING HARNESS,MOBILE RADIO.....	40 - 104
9F1	WINDOW, RIGHT-HAND	91 - 46	3H10	WIRING HARNESS,PERFORMANCE MONITOR.....	40 - 90
9E24	WINDSHIELD	91 - 44	3H4	WIRING HARNESS,RADAR(TSN -XXXXXX).....	40 - 84
9E21	WINDSHIELD AND REAR WASHER KIT	91 - 40	3H8	WIRING HARNESS,RADAR(TSN XXXXXX-).....	40 - 88
3E19	WIPER MOTOR,FRONT	40 - 24	3H6	WIRING HARNESS,RADAR(TSN XXXXXX-XXXXXX).....	40 - 86
3E19	WIPER MOTOR,REAR.....	40 - 24	3E19	WIRING HARNESS,ROOF	40 - 24
9E22	WIPER, FRONT AND REAR ASSEMBLY KIT	91 - 42	4D18	WIRING HARNESS,ROOF	42 - 14
2E24	WIRING HARNESS (6076)	30 - 38	4D19	WIRING HARNESS,ROOF.....	42 - 15
2F9	WIRING HARNESS (6081) (LATE TSN-8100,8200,8300).....	30 - 48	3G13	WIRING HARNESS,ROW GUIDANCE-4/5 SCV	40 - 70
2F11	WIRING HARNESS (6081) (LATE TSN-8100,8200,8300).....	30 - 49A	3G15	WIRING HARNESS,ROW GUIDANCE-4/5 SCV	40 - 72
2F21	WIRING HARNESS (8400)	30 - 58	3E23	WIRING HARNESS,ROW-TRAK	40 - 28
3F5	WIRING HARNESS,AIR BRAKE(EUROPEAN VERSION).....	40 - 35	3H13	WIRING HARNESS,ROW-TRAK MONITOR	40 - 93
3G11	WIRING HARNESS,ARMREST TO CAB	40 - 68	3D23	WIRING HARNESS,SCV(TSN -009999)	40 - 6
3I5	WIRING HARNESS,BACK-UP ALARM	40 - 110	3E5	WIRING HARNESS,SCV(TSN 010000-)	40 - 10
3F4	WIRING HARNESS,BRAKE LIGHT EXTENSION.....	40 - 34	3F1	WIRING HARNESS,SEAT	40 - 31
3E21	WIRING HARNESS,CAB	40 - 26	3G5	WIRING HARNESS,SELECTIVE CONTROL LEVERS 1,2,3(ARMREST)	40 - 62
3E21	WIRING HARNESS,CAB POWER JUNCTION BLOCK	40 - 26	3G7	WIRING HARNESS,SELECTIVE CONTROL LEVERS 4 AN 5(ARMREST)	40 - 64
3E13	WIRING HARNESS,CAB(EUROPEAN VERSION)(TSN -009999)	40 - 18	3D19	WIRING HARNESS,TRANSMISSION(TSN -019999)	40 - 2
3E15	WIRING HARNESS,CAB(EUROPEAN VERSION)(TSN 010000-)	40 - 20	3D21	WIRING HARNESS,TRANSMISSION(TSN 020000-).....	40 - 4
3F6	WIRING HARNESS,CAB(EUROPEAN VERSION)	40 - 36	3I11	WIRING LEAD,ALTERNATOR	41 - 1
3F6	WIRING HARNESS,CAB(NORTH AMERICAN VERSION).....	40 - 36	4D8	WORK LAMP BRACKET(UPPER MID-BODY)(NORTH AMERICAN VERSION)(TSN -XXXXXX)	42 - 4
3F12	WIRING HARNESS,CAB(NORTH AMERICAN VERSION).....	40 - 43	4D9	WORK LAMP BRACKET(UPPER MID-BODY)(NORTH AMERICAN VERSION)(TSN XXXXXX-)	42 - 5
3E9	WIRING HARNESS,CAB(NORTH AMERICAN VERSION)(TSN -009999)	40 - 14	4D8	WORK LAMP COVER(UPPER MID-BODY)(NORTH AMERICAN VERSION(TSN -XXXXXX)	42 - 4
3E11	WIRING HARNESS,CAB(NORTH AMERICAN VERSION)(TSN 010000-)	40 - 16	4D9	WORK LAMP COVER(UPPER MID-BODY)(NORTH AMERICAN VERSION(TSN XXXXXX-)	42 - 5
3E17	WIRING HARNESS,CAB(UKRAINIAN VERSION)	40 - 22	4D10	WORK LAMP KIT(CAB)(UPPER MID-BODY) (EUROPEAN VERSION)(TSN -XXXXXX)	42 - 6
3F6	WIRING HARNESS,CAB(UKRAINIAN VERSION)	40 - 36	4D11	WORK LAMP KIT(CAB)(UPPER MID-BODY) (EUROPEAN VERSION)(TSN XXXXXX-)	42 - 7
3G13	WIRING HARNESS,CHASSIS	40 - 70	4D8	WORK LAMP KIT(UPPER MID-BODY)(NORTH AMERICAN VERSION)(TSN -XXXXXX)	42 - 4
3G15	WIRING HARNESS,CHASSIS	40 - 72	4D9	WORK LAMP KIT(UPPER MID-BODY)(NORTH AMERICAN VERSION)(TSN XXXXXX-)	42 - 5
3I3	WIRING HARNESS,COLD WEATHER START(EUROPEAN VERSION)	40 - 108	4D10	WORK LAMP KIT(UPPER MID-BODY)(NORTH AMERICAN VERSION)(TSN XXXXXX-)	42 - 5
3I1	WIRING HARNESS,COLD WEATHER START(NORTH AMERICAN VERSION)	40 - 106	4D10	WORK LAMP KIT(CAB)(UPPER MID-BODY) (EUROPEAN VERSION)(TSN -XXXXXX)	42 - 6
3E21	WIRING HARNESS,ENGINE AND CHASSIS	40 - 26	4D11	WORK LAMP KIT(CAB)(UPPER MID-BODY) (EUROPEAN VERSION)(TSN XXXXXX-)	42 - 7
3D23	WIRING HARNESS,ENGINE AND CHASSIS(TSN -009999)	40 - 6	4D8	WORK LAMP KIT(UPPER MID-BODY)(NORTH AMERICAN VERSION)(TSN -XXXXXX)	42 - 4
3E1	WIRING HARNESS,ENGINE AND CHASSIS(TSN -011000)	40 - 8	4D9	WORK LAMP KIT(UPPER MID-BODY)(NORTH AMERICAN VERSION)(TSN XXXXXX-)	42 - 5
3E3	WIRING HARNESS,ENGINE AND CHASSIS(TSN -011000)	40 - 9A	4D10	WORK LAMP KIT(UPPER MID-BODY)(NORTH AMERICAN VERSION)(TSN XXXXXX-)	42 - 5
3E5	WIRING HARNESS,ENGINE AND CHASSIS(TSN 010000-)	40 - 10	4D10	WORK LAMP BRACKET,(CAB)(UPPER MID-BODY (EUROPEAN VERSION)(TSN -XXXXXX)	42 - 6
3E7	WIRING HARNESS,ENGINE AND CHASSIS(TSN 010000-)	40 - 12	4D11	WORK LAMP BRACKET,(CAB)(UPPER MID-BODY (EUROPEAN VERSION)(TSN XXXXXX-)	42 - 7
4D24	WIRING HARNESS,EXTREMITY WARNING LAMP(- 027099).....	42 - 20			

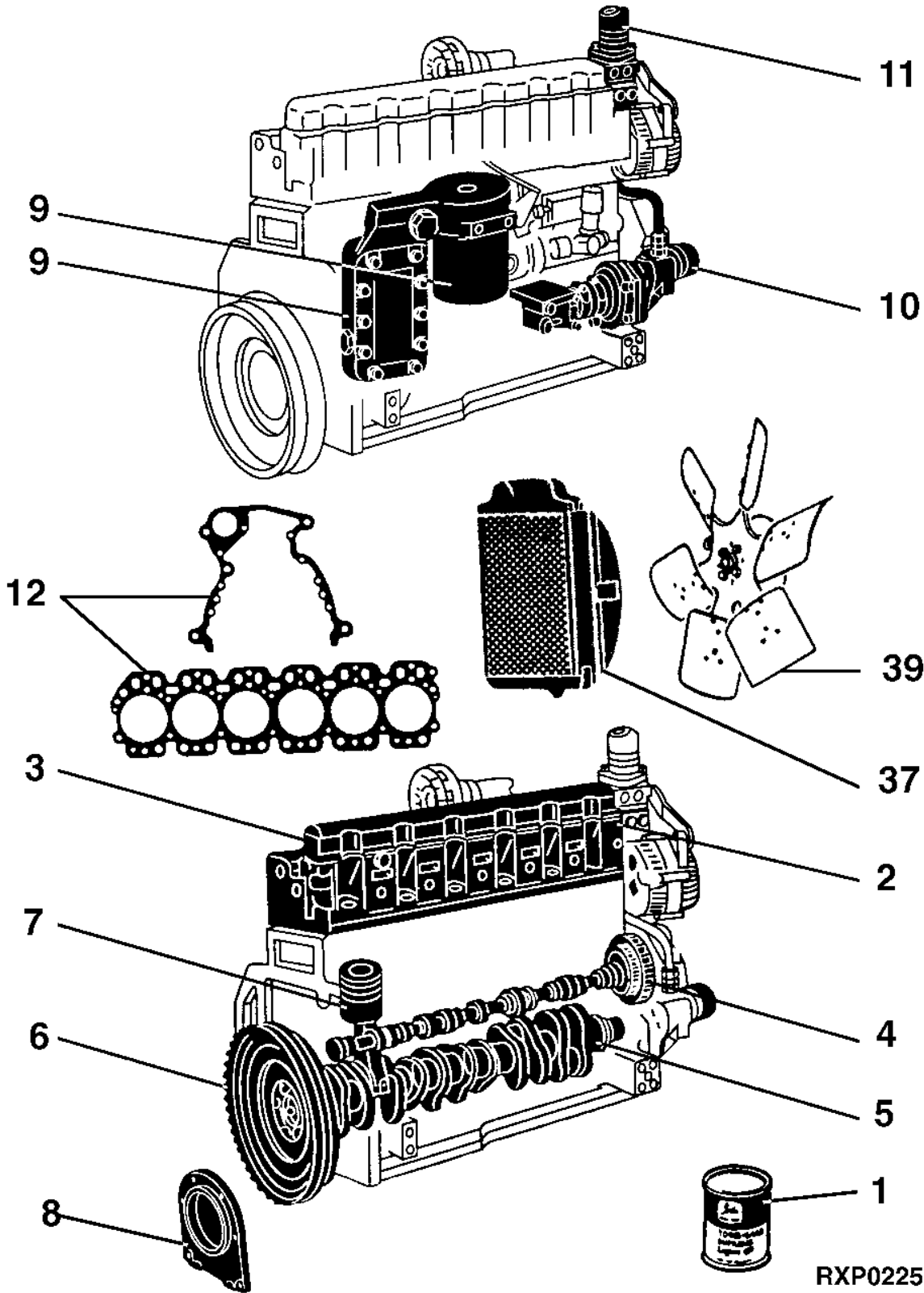
ALPHABETICAL INDEX - CONTINUED

<i>GRID</i>	<i>PAGE</i>	<i>GRID</i>	<i>PAGE</i>
4D10			
WORK LAMPS,(CAB)(UPPER MID-BODY			
(EUROPEAN VERSION)(TSN -XXXXXX)	42 - 6		
4D11			
WORK LAMPS,(CAB)(UPPER MID-BODY			
(EUROPEAN VERSION)(TSN XXXXXX-)	42 - 7		
4D19			
WORK LIGHT,FRONT CAB ROOF	42 - 15		
4D22			
WORK LIGHT,REAR FENDER(TSN -XXXXXX)	42 - 18		
4D23			
WORK LIGHT,REAR FENDER(TSN XXXXXX-)	42 - 19		
4D13			
WORKING LAMP BRACKET(LOWER			
MID-BODY)(TSN XXXXXX-).....	42 - 9		
4D12			
WORKING LAMP BRACKET(LOWER			
MID-BODY)(TSN-XXXXXX)	42 - 8		
4D12			
WORKING LAMPS(LOWER MID-BODY)(TSN			
-XXXXXX)	42 - 8		
4D13			
WORKING LAMPS(LOWER MID-BODY)(TSN			
XXXXXX-)	42 - 9		
4D8			
WORKLAMPS(CAB)(UPPER MID-BODY)(NORTH			
AMERICAN VERSION)(TSN -XXXXXX)	42 - 4		
4D9			
WORKLAMPS(CAB)(UPPER MID-BODY)(NORTH			
AMERICAN VERSION)(TSN XXXXXX)	42 - 5		

1D10

ENGINE

SECTIONAL INDEX (8100,8200,8300 TSN -009999)
 INDEX DE SECTION (8100,8200,8300 TSN -009999)
 GRUPPENINDEX (8100,8200,8300 TSN -009999)
 INDICE DELLA SEZIONE (8100,8200,8300 TSN -009999)
 INDICE DE SECCION (8100,8200,8300 TSN -009999)
 GRUPPSFORTECKNING (8100,8200,8300 TSN -009999)
 RXP022571 -UN-11MAY99



1 -	1D14
5 -	1E12
6 -	1E13
7 -	1E14
8 -	1E16
9 -	1E22
10 -	1F2
16 -	1G1
37 -	1I14
38 -	1I16
39 -	1I19
40 -	1I21
41 -	1I23

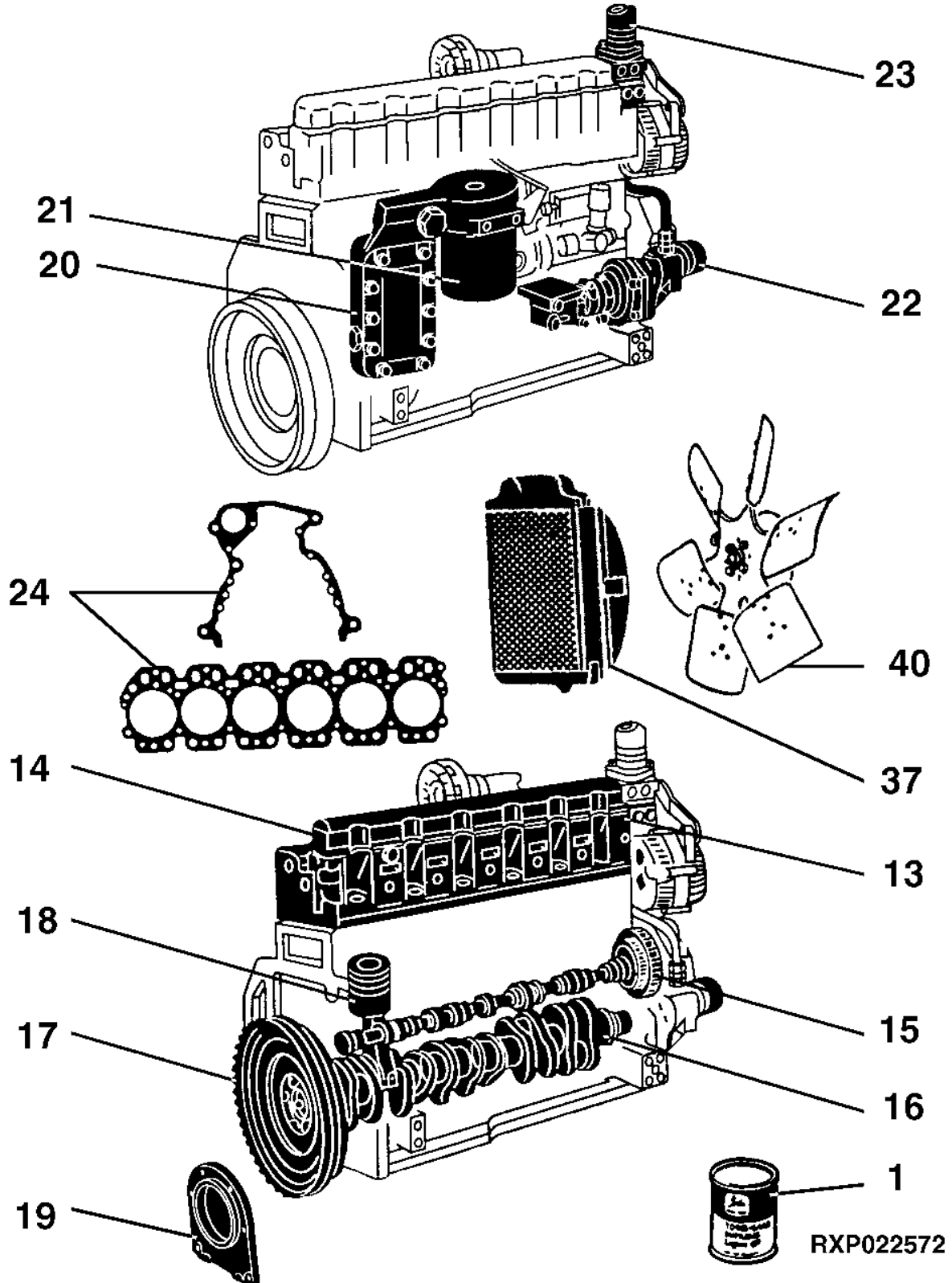
RXP022571

1D11

SECTIONAL INDEX (8100,8200,8300 TSN 010000-)
 INDEX DE SECTION (8100,8200,8300 TSN 010000-)
 GRUPPENINDEX (8100,8200,8300 TSN 010000-)
 INDICE DELLA SEZIONE (8100,8200,8300 TSN 010000-)
 INDICE DE SECCION (8100,8200,8300 TSN 010000-)
 GRUPPSFORTECKNING (8100,8200,8300 TSN 010000-)

RXP022572 -UN-11MAY99

1 -	1D14
5 -	1E12
6 -	1E13
7 -	1E14
8 -	1E16
9 -	1E22
10 -	1F2
16 -	1G1
37 -	1I14
38 -	1I16
39 -	1I19
40 -	1I21
41 -	1I23

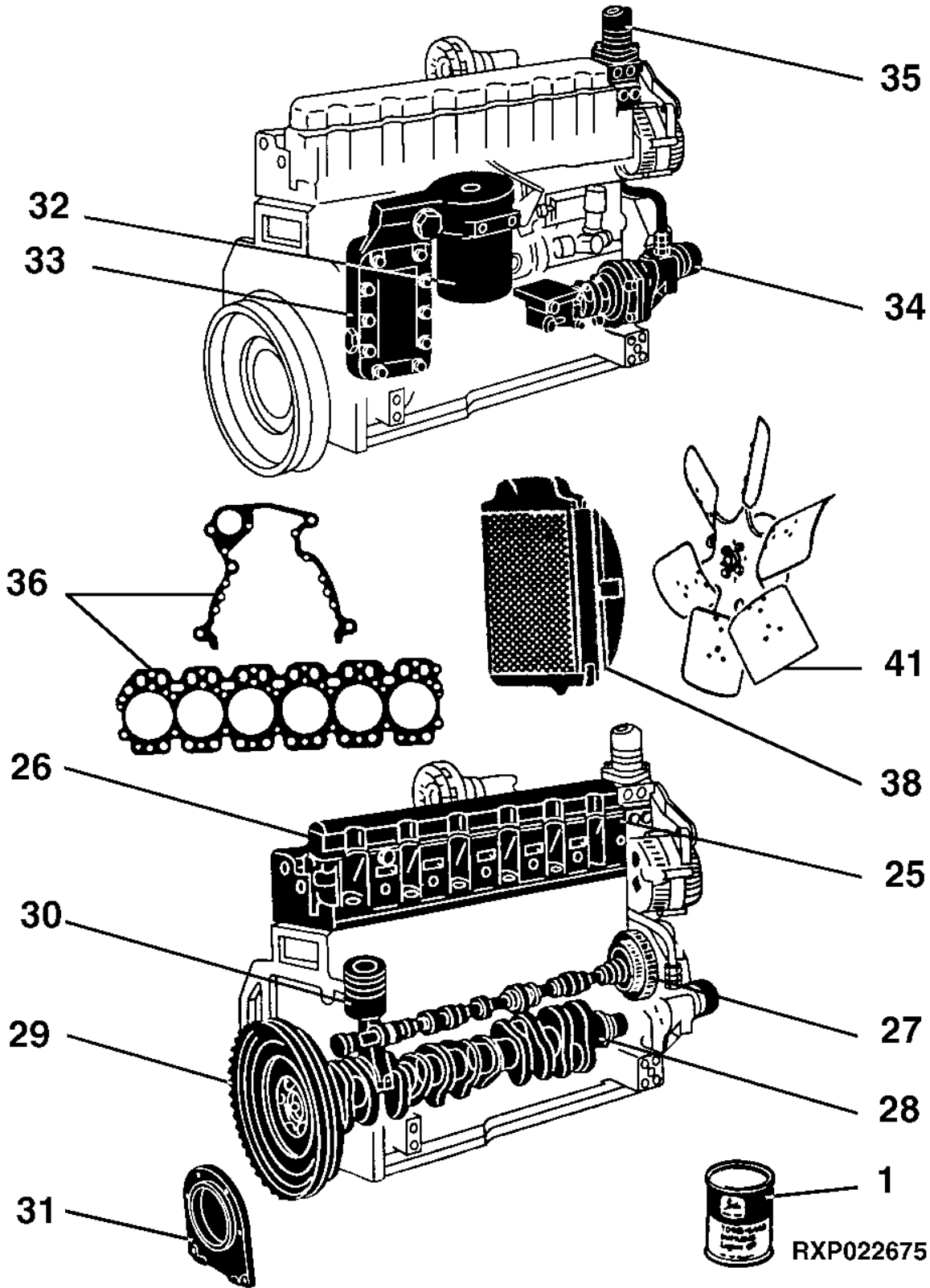


1D12

ENGINE

SECTIONAL INDEX (8400)
 INDEX DE SECTION (8400)
 GRUPPENINDEX (8400)
 INDICE DELLA SEZIONE (8400)
 INDICE DE SECCION (8400)
 GRUPPSFORTECKNING (8400)
 RXP022675 -UN-11MAY99

1 -	1D14
5 -	1E12
6 -	1E13
7 -	1E14
8 -	1E16
9 -	1E22
10 -	1F2
16 -	1G1
37 -	1I14
38 -	1I16
39 -	1I19
40 -	1I21
41 -	1I23



1D13

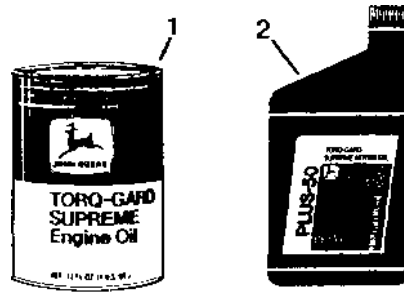
ENGINE

SECTIONAL INDEX
INDEX DE SECTION
GRUPPENINDEX
INDICE DELLA SEZIONE
INDICE DE SECCION
GRUPPSFORTECKNING

1D14

ENGINE

TORQ-GARD PLUS-50 ENGINE OIL
 HUILE MOTEUR TORQ-GARD OIL
 TORQ-GARD PLUS 50 MOTOROEL
 OLIO MOTORE TORQ-GARD PLUS 50
 ACEITE DE MOTOR TORQ-GARD PLUS 50
 TORQ-GARD PLUS 50 MOTOROLJA
 RGP3291 -UN-01JAN94



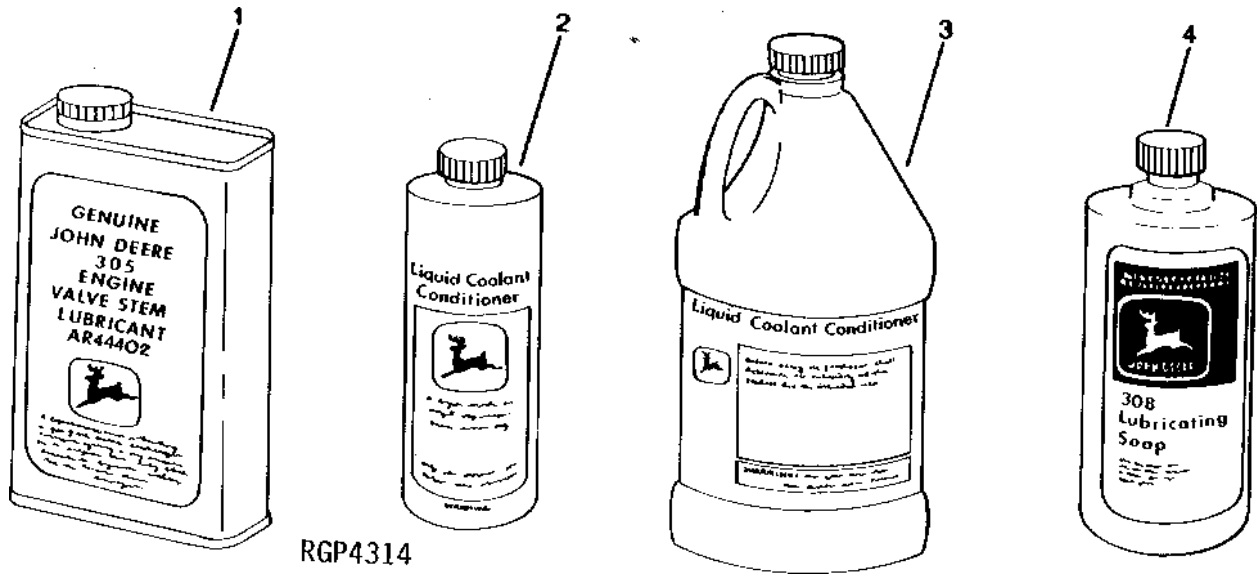
RGP 3291

KEY	PART NO.	PART NAME	QTY	ENGINE SERIAL NO.	A	REMARKS	
					L		
1	TY6359	OIL	1		X	(SAE 5W/30), 0.9 L (1 QUART)	
	TY22064	OIL	1		X	(SAE 5W/30), 0.9L (1 QUART)	
	TY6360	OIL	1		X	(SAE 5W/30), 19 L (5 GALLON)	
	TY22065	OIL	1		X	(SAE 5W/30), 19L (5 GALLON)	
	TY6361	OIL	1		X	(SAE 5W/30), 208 L (55 GALLON) DRUM	
	TY22066	OIL	1		X	(SAE 5W/30), 208L (55 GALLON)	
	TY6364	OIL	1		X	(SAE 10W/30), 0.9 L (1 QUART) (BREAK-IN)	
	TY6297	OIL	1		X	(SAE 15W/40), 0.9 L (1 QUART)	
	TY6298	OIL	1		X	(SAE 15W/40), 19 L (5 GALLON)	
	TY6300	OIL	1		X	(SAE 15W/40), 114 L (30 GALLON)	
	TY6301	OIL	1		X	(SAE 15W/40), 208 L (55 GALLON)	
	TY6311	OIL	1		X	(SAE 10W), 0.9 L (1 QUART) (NLA)	
	TY22009	OIL	1		X	(SAE 10W), 3.8 L (1 GALLON)	
	TY22067	OIL	1		X	(SAE 10W), .9L (1 GALLON)	
	TY6312	OIL	1		X	(SAE 10W), 19 L (5 GALLON)	
	TY22068	OIL	1		X	(SAE 10W), 19L (5 GALLON)	
	TY6313	OIL	1		X	(SAE 10W), 208 L (55 GALLON)	
	TY22069	OIL	1		X	(SAE 10W), 208L (55 GALLON)	
	2	AR63979	OIL	1		X	(SAE 30W), 0.2 L (1 HALF PINT)
		AR63218	OIL	1		X	(SAE 30W), 0.9 L (1 QUART)
		TY22070	OIL	1		X	(SAE 30W), 0.9L (1 GALLON)
AR63219		OIL	1		X	(SAE 30W), 19 L (5 GALLON)	
TY22073		OIL	1		X	(SAE 30W), 19L (5 GALLON)	
TY6280		OIL	1		X	(SAE 30W), 114 L (30 GALLON)	
AR63222		OIL	1		X	(SAE 30W), 208 L (55 GALLON)	
TY22074		OIL	1		X	(SAE 30W), 208L (55 GALLON)	
TY6389		OIL	1		X	(SAE 15W/40), 0.9 L (1 QUART)	
TY22008		OIL	1		X	(SAE 15W/40), 3.8 L (1 GALLON)	
TY6390		OIL	1		X	(SAE 15W/40), 19 L (5 GALLON)	
TY22010		OIL	1		X	(SAE 15W/40), 113.6 L (30 GALLON)	
..	TY6391	OIL	1		X	(SAE 15W/40), 208 L (55 GALLON)	
	TY6392	OIL	1		X	(SAE 30W), 0.9 L (1 QUART)	
	TY22007	OIL	1		X	(SAE 30W), 3.8 L (1 GALLON)	
	TY6393	OIL	1		X	(SAE 30W), 19 L (5 GALLON)	
	TY22011	OIL	1		X	(SAE 30W), 113.6 L (30 GALLON)	
	TY6394	OIL	1		X	(SAE 30W), 208 L (55 GALLON)	
	TY22041	OIL	1		X	(SAE 10W/30), 3.8 L (1 GALLON) (FACTORY SPEC. BREAK-IN)	
	TY22042	OIL	1		X	(SAE 10W/30), 208 L (55 GALLON) (FACTORY SPEC. BREAK-IN)	

1D15

ENGINE

ACCESSORY PARTS
 ACCESSOIRES
 ZUBEHOERTEILE
 ACCESSORI
 ACCESORIOS
 TILLBEHOR
 RGP4314 -UN-01JAN94



RGP4314

KEY	PART NO.	PART NAME	QTY	ENGINE SERIAL NO.	REMARKS	
					A L L	
1	AR44402	OIL	1		X	.473 ML (32 OZ.)
2	RE23182	ENGINE COOLANT CONDITIONER	1		X	0.473 L (16 OZ.) (PHOSPHATE - FREE) (SUB TY16004)
3	TY16004	ENGINE COOLANT CONDITIONER	1		X	0.472 L (16 OZ.)
	RE35992	ENGINE COOLANT CONDITIONER	1		X	3.8 L (1 GAL.) (PHOSPHATE - FREE) (SUB TY16005)
4	TY16005	ENGINE COOLANT CONDITIONER	1		X	1.9 L (1/2 GAL.)
	AR54749	LUBRICANT	1		X	.9 L (1 QT.)
	AT66865	LUBRICANT	1		X	(ELECTRICAL CONNECTION)
..	AR21969	KIT	1		X	(DUST CAP/COVER KIT)
..	DS0251	KIT	1		X	(COOLANT SCAN TEST)
..	IPSKIT1	KIT	1		X	(OIL SCAN TEST)
..	DS0557	VALVE	1		X	(SAMPLING SYSTEM)
..	TY16423	INDICATOR	1		X	(COOLING EYE)

1D16

ENGINE

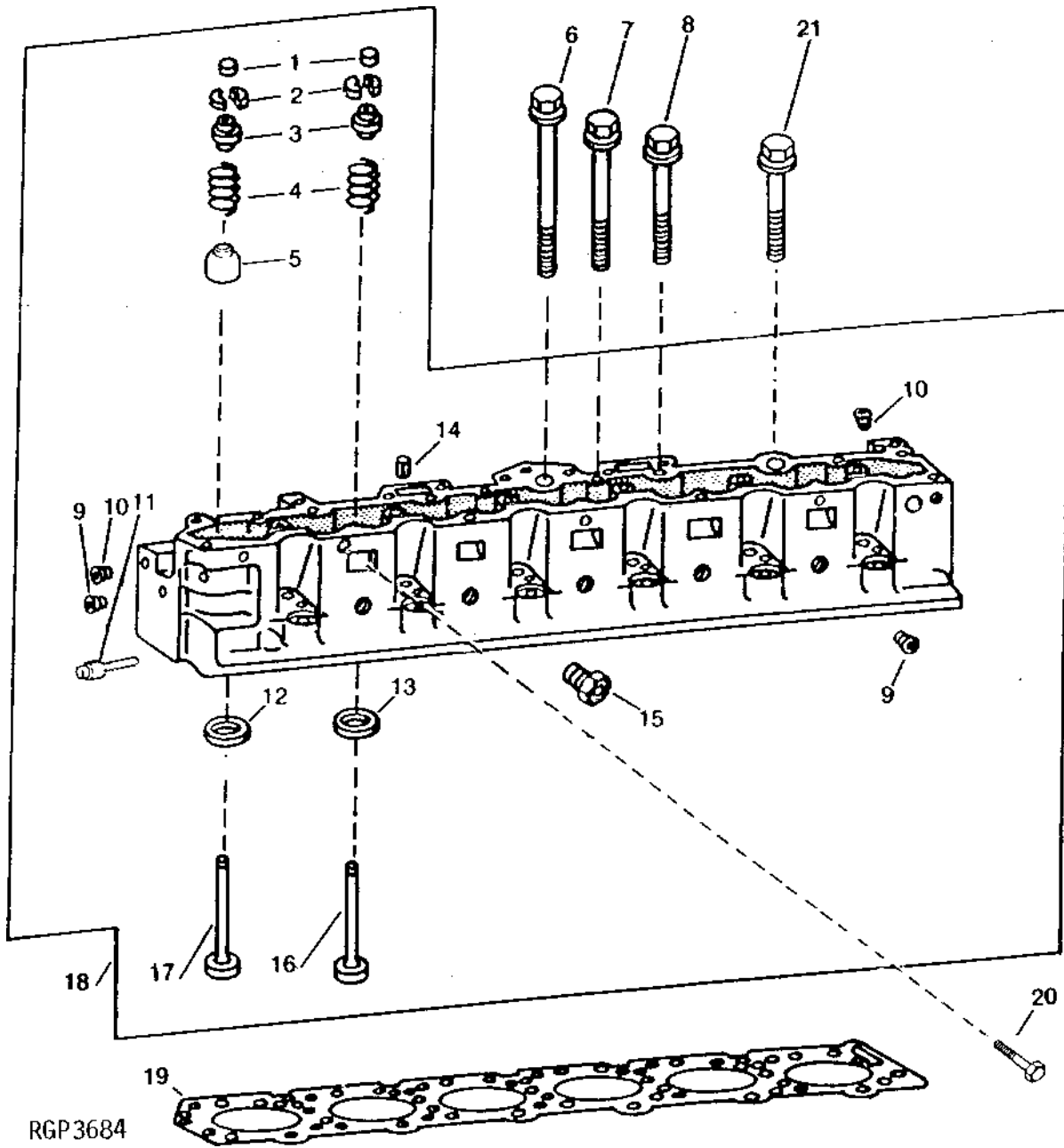
KIT FOR OFF-SEASON STORAGE
JEU DE PIECE POUR STOCKAGE HORS SAISON
EINLAGERUNGSSATZ
SERIE PEZZI PER STORAGGIO FUORI STAGIONE
JUEGO PARA ALMACENAMIENTO DURANTE TEMPORADA DE DESUSO
SATS FOER LAANGTIDSLAGRING

KEY	PART NO.	PART NAME	QTY	ENGINE SERIAL NO.	A L L	REMARKS
..	AR41785	KIT	1		X	0.9L (1 QT) (NOT SHOWN)

1D17

ENGINE

CYLINDER HEAD AND VALVES (6076) (8100,8200,8300 TSN -009999)
CULASSE (6076) (8100,8200,8300 TSN -009999)
ZYLINDERKOPF (6076) (8100,8200,8300 TSN -009999)
ZYLINDERKOPF (6076) (8100,8200,8300 TSN -009999)
TESTATA (6076) (8100,8200,8300 TSN -009999)
CYLINDERTOPP (6076) (8100,8200,8300 TSN -009999)
RGP3684 -UN-01JAN94



1D18

ENGINE

KEY	PART NO.	PART NAME	QTY	ENGINE			REMARKS
				SERIAL NO.	8 8 8	1 2 3	
				0 0 0	0 0 0	0 0 0	
1	T20129	CAP	12	X	X	X	
2	T20077	RETAINER	24	X	X	X	
3	RE11410	ROTATOR	12	X	X	X	
4	R91822	SPRING	12	X	X	X	
5	R102882	SHIELD	6	X	X	X	(EXHAUST VALVES ONLY)
6	R121491	CAP SCREW	7	X	X	X	(MARKED "SPECIAL")
7	R121490	CAP SCREW	8	X	X	X	(MARKED "SPECIAL")
8	R121320	CAP SCREW	6	X	X	X	(MARKED "SPECIAL")
9	15H690	PIPE PLUG	10	X	X	X	3/4"
10	15H584	PIPE PLUG	2	X	X	X	1/2"
11	AT107509	PLUG	1	X	X	X	
12	R84976	VALVE SEAT INSERT	6	X	X	X	EXHAUST
	R93350	VALVE SEAT INSERT	AR	X	X	X	0.25MM (.010") OS
13	R84977	VALVE SEAT INSERT	6	X	X	X	INTAKE
	R93349	VALVE SEAT INSERT	AR	X	X	X	0.25MM (.010") OS
14	34H387	SPRING PIN	1	X	X	X	3/16" X 3/4"
15	R76491	PIPE PLUG	1	X	X	X	
16	R84618	INTAKE VALVE	6	X	X	X	STD
	R93308	INTAKE VALVE	AR	X	X	X	0.08MM (.003") OS
	R93312	INTAKE VALVE	AR	X	X	X	0.38MM (.015") OS
	R93314	INTAKE VALVE	AR	X	X	X	0.76MM (.030") OS
17	R84619	EXHAUST VALVE	6	X	X	X	STD
	R93311	EXHAUST VALVE	AR	X	X	X	0.08MM (.003") OS
	R93313	EXHAUST VALVE	AR	X	X	X	0.38MM (.015") OS
	R93315	EXHAUST VALVE	AR	X	X	X	0.76MM (.030") OS
18	RE58516	CYLINDER HEAD	1	X	X	X	(MARKED R122112 OR R122491)
19	RE47336	ENGINE CYLINDER HEAD GASKET	1	X	X	X	
20	19H2367	CAP SCREW	1	X	X	X	5/8" X 3/4"
21	R121489	CAP SCREW	5	X	X	X	(MARKED "SPECIAL")
..	RG24026	KIT	1	X	X	X	(CONTAINS (26) "SPECIAL" HEAD BOLTS)

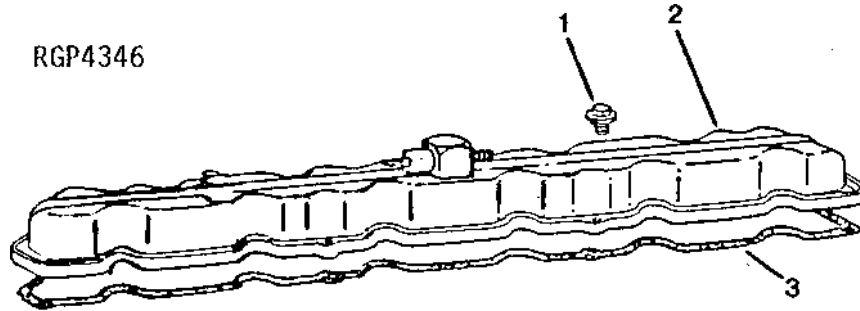
1D19

ENGINE

ROCKER ARM COVER (6076) (8100,8200,8300 TSN -009999)
 CULBUTEURS (6076) (8100,8200,8300 TSN -009999)
 ZYLINDERKOPFHAUBE (6076) (8100,8200,8300 TSN -009999)
 COPERCHIO BILANCIERI (6076) (8100,8200,8300 TSN -009999)
 TAPA DE BALANCINES (6076) (8100,8200,8300 TSN -009999)
 VENTILKAPA (6076) (8100,8200,8300 TSN -009999)
 RGP4346 -UN-01JAN94



RGP4346

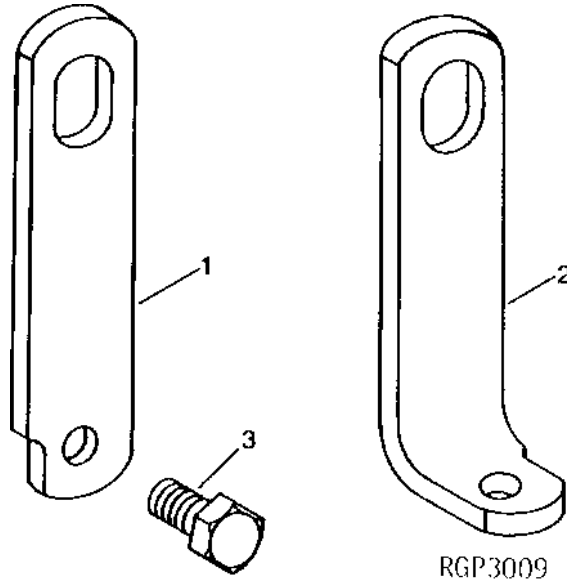


KEY	PART NO.	PART NAME	QTY	ENGINE SERIAL NO.	REMARKS
				8 8 8	
				1 2 3	
				0 0 0	
				0 0 0	
1	AR100124	SCREW, WITH WASHER	8	X X X	
2	RE37448	COVER	1	X X X	
3	R49866	GASKET	1	X X X	
..	TY24446	ADHESIVE	1	X X X	(SUB FOR AR31790)

1D20

ENGINE

LIFT STRAPS (6076) (8100,8200,8300 TSN -009999)
 ECLISSES D'APAREIL DE LEVAGE (6076) (8100,8200,8300 TSN -00009999)
 HUBSTREBE (6076) (8100,8200,8300 TSN -009999)
 FASCETTE DEL PARANCO (6076) (8100,8200,8300 TSN -009999)
 TIRAS DE ELEVADOR (6076) (8100,8200,8300 TSN -009999)
 MOTORLYFTSFAESTEN (6076) (8100,8200,8300 TSN -009999)
 RGP3009 -UN-01JAN94

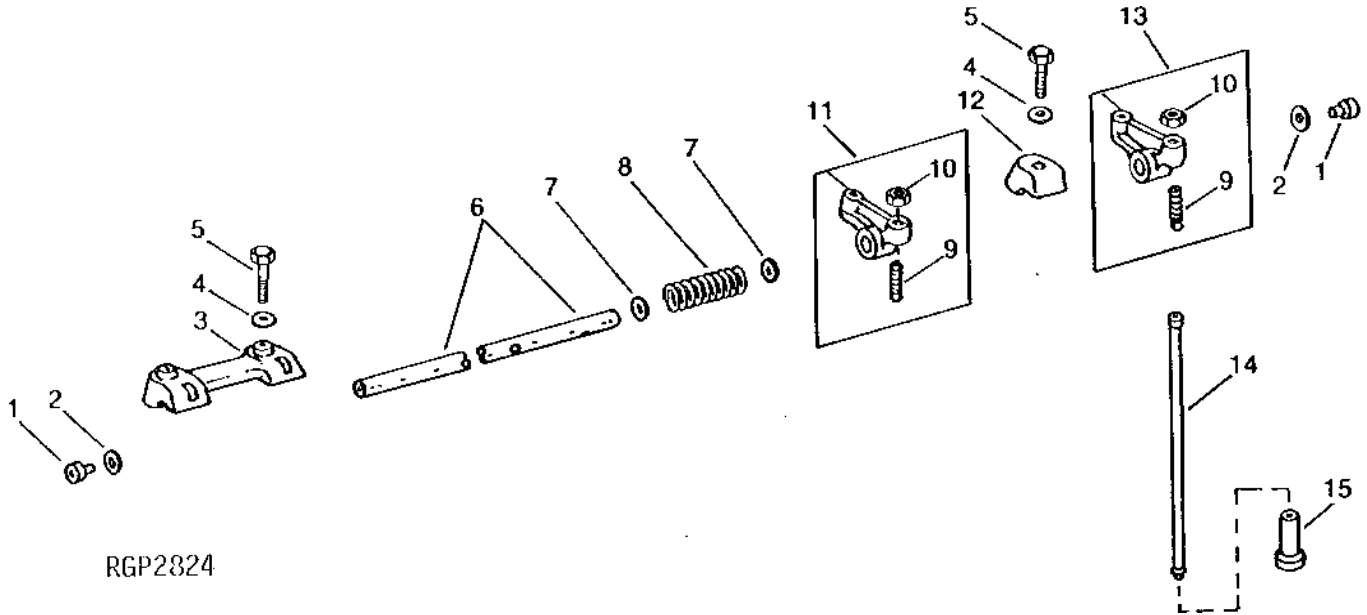


KEY	PART NO.	PART NAME	QTY	ENGINE SERIAL NO.	REMARKS
1	R61497	STRAP	1	8 8 8	
2	R86571	ANGLE	1	1 2 3	
3	19H1756	CAP SCREW	2	0 0 0	5/8" X 1-1/2"

1D21

ENGINE

ROCKER ARMS, SHAFT AND PUSH RODS (6076) (8100,8200,8300 TSN -009999)
 ARBRES DES CULBUTEURS (6076) (8100,8200,8300 TSN -009999)
 KIPPEBELWELLE (6076) (8100,8200,8300 TSN -009999)
 ALBERO BILANCIERI (6076) (8100,8200,8300 TSN -009999)
 EJE DE BALANCINES (6076) (8100,8200,8300 TSN -009999)
 VIPPARMSAXEL (6076) (8100,8200,8300 TSN -009999)
 RGP2824 -UN-01JAN94



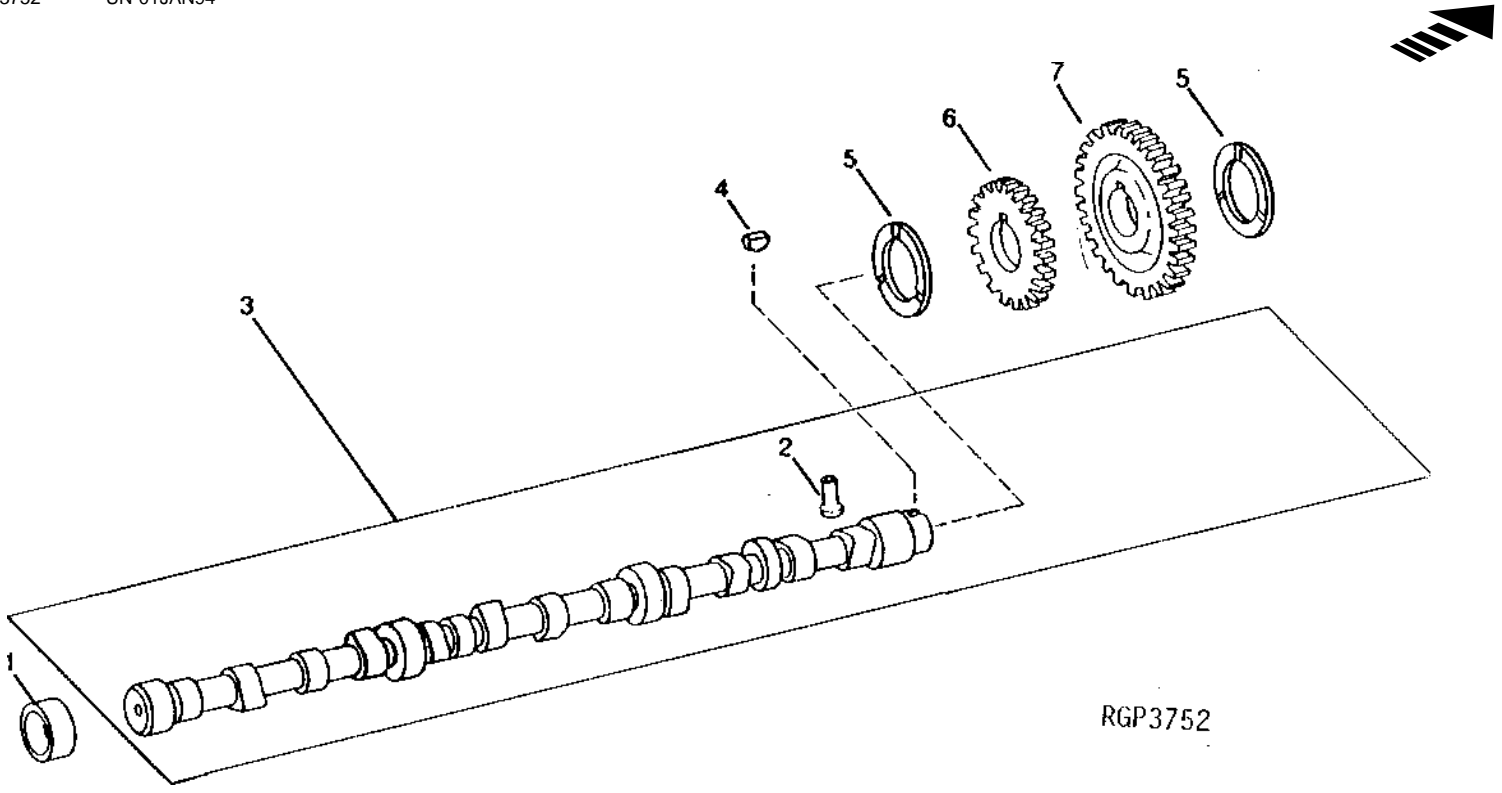
KEY	PART NO.	PART NAME	QTY	ENGINE SERIAL NO.	REMARKS
				8 8 8	
				1 2 3	
				0 0 0	
				0 0 0	
1	R54565	PLUG	2		
2	R26081	WASHER	2		
3	R136083	CLAMP	2		(SUB FOR R65553)
4	R26559	WASHER	6		
5	19H1740	CAP SCREW	6		7/16" X 1-3/4"
6	R70826	ROCKER ARM SHAFT	1		
7	R71208	WASHER	10		
8	R26079	SPRING	5		
9	R27443	SET SCREW	12		
10	14H1080	NUT	12		3/8"
11	RE24045	ROCKER ARM	6		(A) (1E, 2I, 3E, 4I, 5E, 6I) (RH)
12	R26748	CLAMP	2		
13	RE24046	ROCKER ARM	6		(A) (1I, 2E, 3I, 4E, 5I, 6E) (LH)
14	R85027	PUSH ROD	12		
15	R110126	CAM FOLLOWER	12		

(A) - E (EXHAUST VALVE) I (INTAKE VALVE)

1D22

ENGINE

CAMSHAFT AND GEAR (6076) (8100,8200,8300 TSN -009999)
 ARBRE A CAMES (6076) (8100,8200,8300 TSN -009999)
 NOCKENWELLE (6076) (8100,8200,8300 TSN -009999)
 ALBERO A CAMME (6076) (8100,8200,8300 TSN -009999)
 EJE DE LEVAS (6076) (8100,8200,8300 TSN -009999)
 KAMAXEL/VENTILER (6076) (8100,8200,8300 TSN -009999)
 RGP3752 -UN-01JAN94

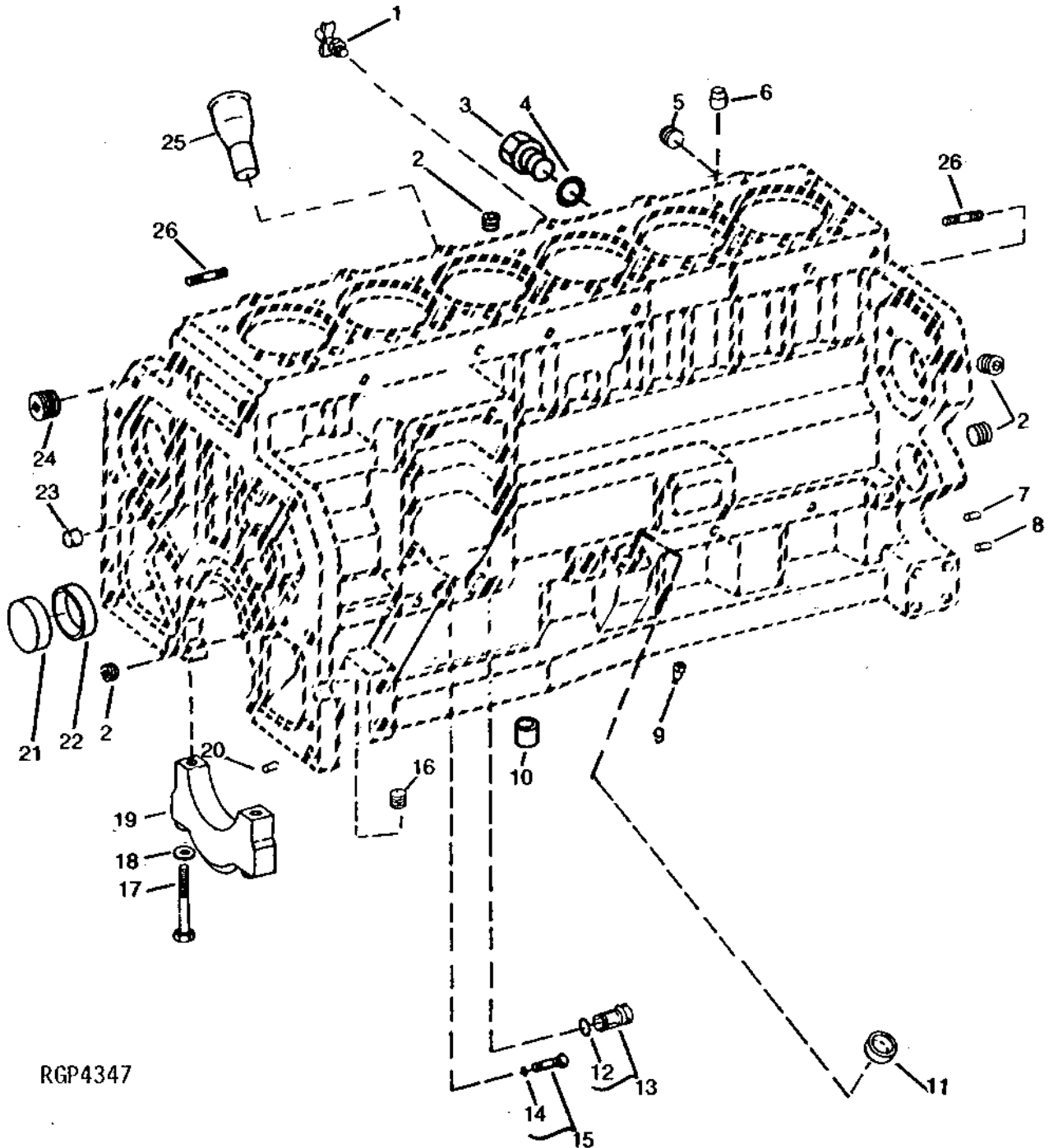


KEY	PART NO.	PART NAME	QTY	ENGINE SERIAL NO.	REMARKS
				8 8 8	
				1 2 3	
				0 0 0	
				0 0 0	
1	R87561	BUSHING	4		X X X
2	R110126	CAM FOLLOWER	12		X X X (USE WITH R120872)
3	RE57054	CAMSHAFT	1		X X X (MARKED R120872)
4	26H91	SHAFT KEY	1		X X X 3/16" X 1-1/4"
5	R104656	THRUST WASHER	2		X X X
6	R104589	GEAR	1		X X X
7	R112053	GEAR	1		X X X

1D23

ENGINE

CYLINDER BLOCK FITTINGS (6076) (8100,8200,8300 TSN -009999)
RACCORDS DE BLOC-CYLINDRES (6076) (8100,8200,8300 TSN -009999)
ZYLINDERBLOCK-FITTINGS (6076) (8100,8200,8300 TSN -009999)
RACCORDI DEL MONOBLOQUE DE CILINDRO (6076) (8100,8200,8300 TSN -009999)
CONECTORES DEL BLOQUE DE CILINDRO (6076) (8100,8200,8300 TSN -009999)
SKRUVFOERBINDNINGAR FOER CYLINDERBLOCK (6076) (8100,8200,8300 TSN -009999)
RGP4347 -UN-01JAN94



RGP4347

1D24

ENGINE

KEY	PART NO.	PART NAME	QTY	ENGINE			REMARKS
				SERIAL NO.	8 8 8	1 2 3	
1	AT13740	DRAIN VALVE	1		X X X		
2	R36599	PLUG	1		X X X		(FROST PLUG NOT AS SHOWN)
3	R39741	DRAIN PLUG	1		X X X		
4	U13639	O-RING	1		X X X		
5	15H690	PIPE PLUG	1		X X X		3/4"
	15H624	PIPE PLUG	2		X X X		
6	R42340	BUSHING	2		X X X		
7	R1612R	DOWEL PIN	NA		X X X		
8	F1743R	DOWEL PIN	2		X X X		
9	R43621	ORIFICE	6		X X X		
10	R500642	BUSHING	2		X X X		(SUB FOR R62930, THIS APPLICATION)
11	T35390	CAP	1		X X X		(R.H.)
12	R27149	O-RING	1		X X X		
13	AR61533	PLUG	1		X X X		
14	A4365R	O-RING	1		X X X		
15	AR61589	PLUG	1		X X X		
16	R104592	PIPE PLUG	6		X X X		
17	R42365	BOLT	14		X X X		
18	R70268	WASHER	14		X X X		
19	R57158	BEARING CAP	6		X X X		(A)
	R57159	BEARING CAP	1		X X X		(B)
20	H79910	DOWEL PIN	NA		X X X		
21	R82007	CAP	1		X X X		
22	R87561	BUSHING	4		X X X		
23	R61288	DOWEL PIN	1		X X X		
24	15H562	PIPE PLUG	1		X X X		1"
25	R120801	DIPSTICK TUBE	1		X		107.5 MM (4.23") (6076HRW33)(L.H.)
	R121764	DIPSTICK TUBE	1		X		118.5 MM (4.66") (6076HRW34)(L.H.)
	R121765	DIPSTICK TUBE	1		X		126 MM (4.96") (6076HRW35)(L.H.)
26	R114130	STUD	5		X X X		
..	RE57420	SCREW	1		X X X		(FRONT LH)

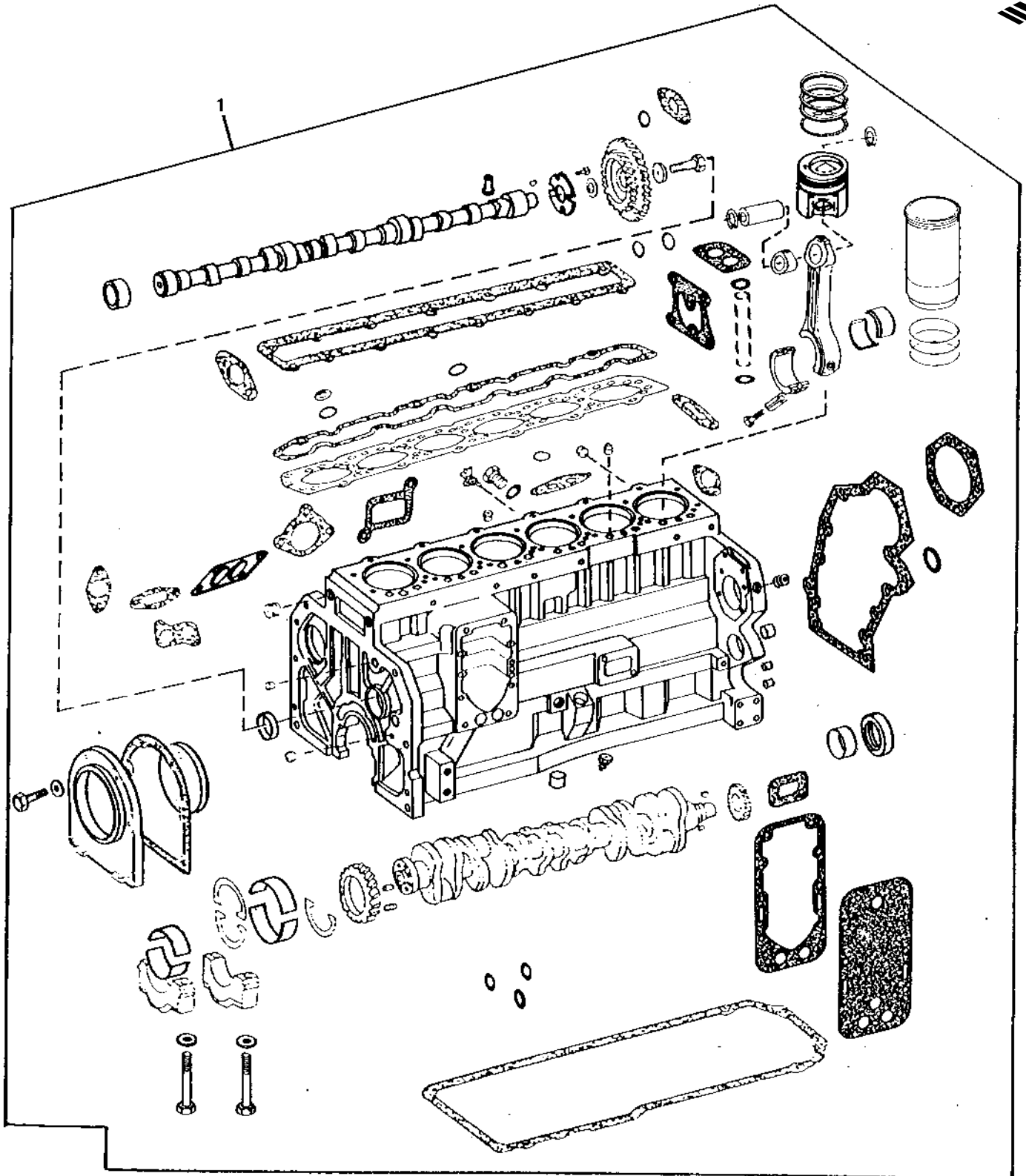
(A) MAIN
 PRINCIPAL
 HAUPT
 PRINCIPALE
 PRINCIPAL
 HUVUD

(B) THRUST
 EPAULEMENT
 SCHUB
 SPINTA
 EMPUJE
 TRYCK

1E1

ENGINE

ENGINE SHORT BLOCK (6076) (8100,8200,8300 TSN -009999) (WITHOUT HEAD BOLTS)
MOTEUR DEPOUILLE POUR RECHANGE (SANS BOULONS DE CALASSE) (6076) (8100,8200,8300 TSN -009999)
KURZMOTOR (OHNE ZYLINDERKOPFSCHRAUBEN) (6076) (8100,8200,8300 TSN -009999)
MOTORE CORTO (SENZA VITI DELLA TESTATA) (6076) (8100,8200,8300 TSN -009999)
MOTOR BASICO (SIN PERNOS DE CABEZA) (6076) (8100,8200,8300 TSN -009999)
KORTMOTOR (UTAN TOPPLOCKSSKRUVAR) (6076) (8100,8200,8300 TSN -009999)
RGP3581 -UN-01JAN94



RGP3581

1E2

ENGINE

KEY	PART NO.	PART NAME	QTY	ENGINE SERIAL NO.	REMARKS
-----	----------	-----------	-----	----------------------	---------

8 8 8
1 2 3
0 0 0
0 0 0

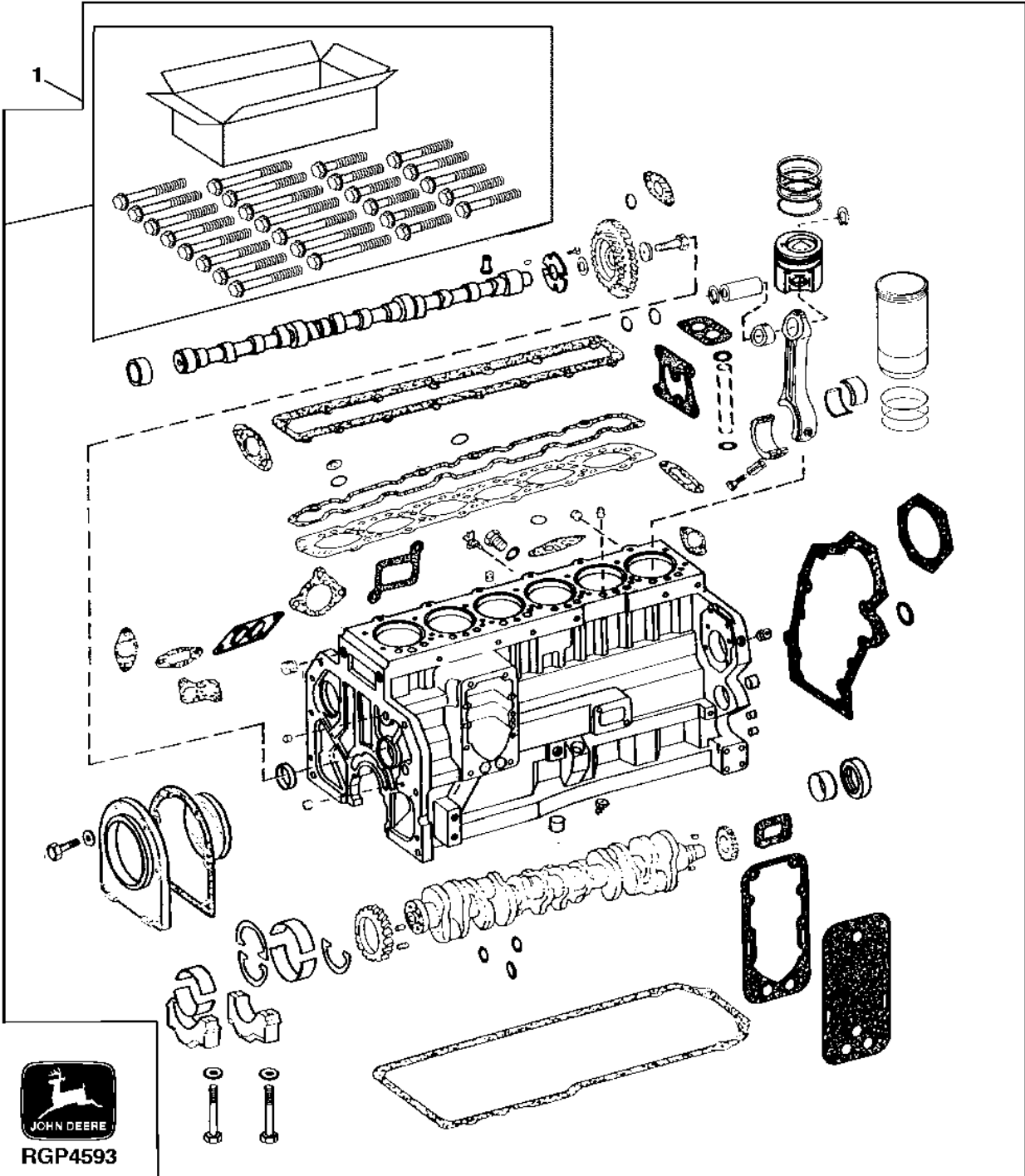
1	RE60458	SHORT BLOCK ASSEMBLY	1	X X X	(A) (MARKED R122741) (ALSO ORDER R125855) (SUB RE65081)
---	---------	----------------------	---	-------	---

(A) - (ALSO ORDER R120801, 8100; R121764, 8200; R121765, 8300)

1E3

ENGINE

SHORT ENGINE (WITH) HEAD BOLTS) (6076) (8100,8200,8300 TSN-009999)
MOTEUR DEPOUILLE POUR RECHANGE (AVEC (26) BOULONS DE CULASSE) (6076) (8100,8200,8300 TSN -009999)
KURZMOTOR (MIT (26) ZYLINDERKOPFSCHRAUBEN) (6076) (8100,8200,8300 TSN -009999)
MOTORE CORTO (CON (26) VITI DELLA TESTATA) (6076) (8100,8200,8300 TSN -009999)
MOTOR BASICO (CON (26) PERNOS DE CABEZA) (6076) (8100,8200,8300 TSN -009999)
KORTMOTOR (MED (26) TOPLOCKSSKRUVAR) (6076) (8100,8200,8300 TSN -009999)
RGP4593 -UN-26OCT95



1E4

ENGINE

KEY	PART NO.	PART NAME	QTY	ENGINE SERIAL NO.	REMARKS
-----	----------	-----------	-----	----------------------	---------

8 8 8
1 2 3
0 0 0
0 0 0

1	RE65081	SHORT BLOCK ASSEMBLY	1	X X X	(A) (MARKED R122741) (ALSO ORDER R125855) (CONTAINED (26) "SPECIAL" HEAD BOLTS)
---	---------	----------------------	---	-------	---

(A) - (ALSO ORDER R120801, 8100; R121764, 8200; R121765, 8300)

1E5

ENGINE

KEY	PART NO.	PART NAME	QTY	ENGINE SERIAL NO.	REMARKS
-----	----------	-----------	-----	----------------------	---------

8 8 8
1 2 3
0 0 0
0 0 0

1	RE65081	SHORT BLOCK ASSEMBLY	1	X X X	(A) (MARKED R122741) (ALSO ORDER R125855) (CONTAINED (26) "SPECIAL" HEAD BOLTS)
---	---------	----------------------	---	-------	---

(A) - (ALSO ORDER R120801, 8100; R121764, 8200; R121765, 8300)

1E6

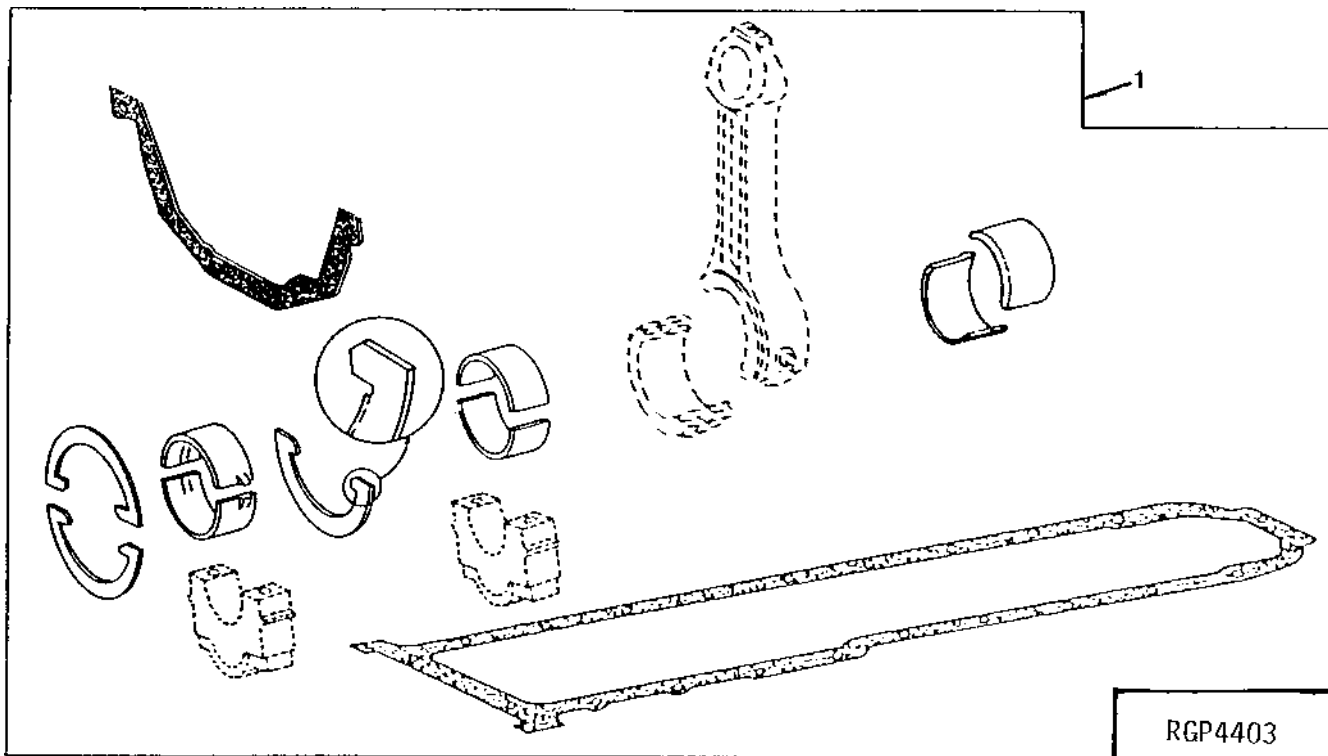
ENGINE

KEY	PART NO.	PART NAME	QTY	ENGINE			REMARKS
				SERIAL NO.	8 8 8	1 2 3	
1	RG27914	ENGINE OVERHAUL KIT	1		0 0 0	0 0 0	(AS SHOWN) (CONTAINS (6) RE60294 PISTON LINERS, GASKET KIT, STD BEARINGS, FRONT/REAR SEALS, AND SNAP RINGS)
	RG27920	ENGINE OVERHAUL KIT	1		0 0 0	0 0 0	(ALSO ORDER R66452 ROD BOLTS) (SUB FOR RE64212) (ALSO ORDER R125855)
	RG27921	ENGINE OVERHAUL KIT	1		0 0 0	0 0 0	(NOT AS SHOWN) (EXPANDED - STD BEARINGS KIT) (CONTAINS RG27914 PARTS, (12) R66492, (6) R57771, (6) R74008 AND (4) R87561) (SUB FOR RE66784) (ALSO ORDER R125855)
							(NOT AS SHOWN) (EXPANDED .010" US BRG KIT) (CONTAINS (6) RE60294, (6) AR73279, (6) AR74816, AR77750, AR77753, RG27881, AR49025, RE22764, (12) E1343FN, (12) R66452, (6) R74008, (6) R57771 AND (4) R87561) (ALSO ORDER R125855) (SUB FOR RE66785)

1E7

ENGINE

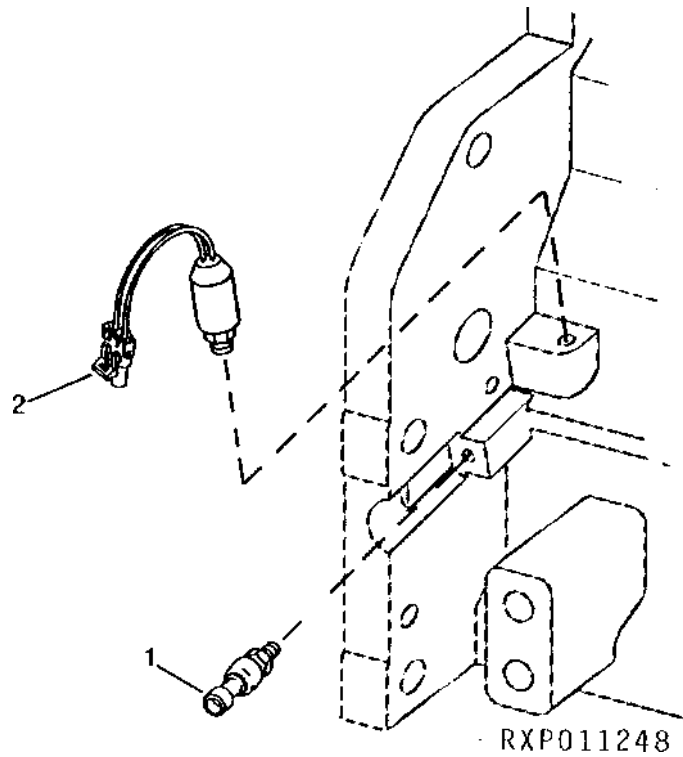
ENGINE UNDERHAUL KIT (STANDARD BEARINGS) (6076) (8100,8200,8300 TSN -009999)
 KIT D'ENTRETIEN DU MOTEUR SUR LE TRACTEUR (6076) (8100,8200, 8300 TSN -009999)
 TEILESATZ FUER DIE WARTUNG DES EINGEBAUTEN MOTORSTEILESATZ FUER (6076) (81,82,83 TSN -009999)
 KIT PER LA REVISIONE DEL MOTORE DA SOTTO (6076) (8100,8200,8300 TSN -009999)
 JUEGO DE REACONDICIONAMIENTO PARCIAL DEL MOTOR (6076)(8100,8200,8300 TSN -009999)
 SATS FOER REPARATION AV MOTORN PAA PLATS (6076) (8100,8200,8300 TSN -009999)
 RGP4403 -UN-14DEC94



KEY	PART NO.	PART NAME	QTY	ENGINE SERIAL NO.	REMARKS
1	RG23426	KIT	1	8 8 8 1 2 3 0 0 0 0 0 0	X X X (ALSO ORDER R125855, APPL)

MEMORANDA
MEMORANDA
MEMORANDA
MEMORANDA
MEMORANDA

ENGINE OIL PRESSURE SENDING UNIT
 PRESSION D'HUILE MOTEUR
 MOTOROELDRUCK
 CONTATTO PRESS.OLIO
 PRESION ACEITE MOTOR
 MOTOROLJETRYCK-GIVARE
 RXP011248 -UN-01JAN94



KEY	PART NO.	PART NAME	QTY	ENGINE SERIAL NO.	A	REMARKS
					L	
1	RE56009	ENGINE OIL PRESS. SENSOR	1		X	(A) 3-TERMINAL
2	RE63289	SWITCH	1		X	(B) 2-WIRE, (SUB FOR RE52866)

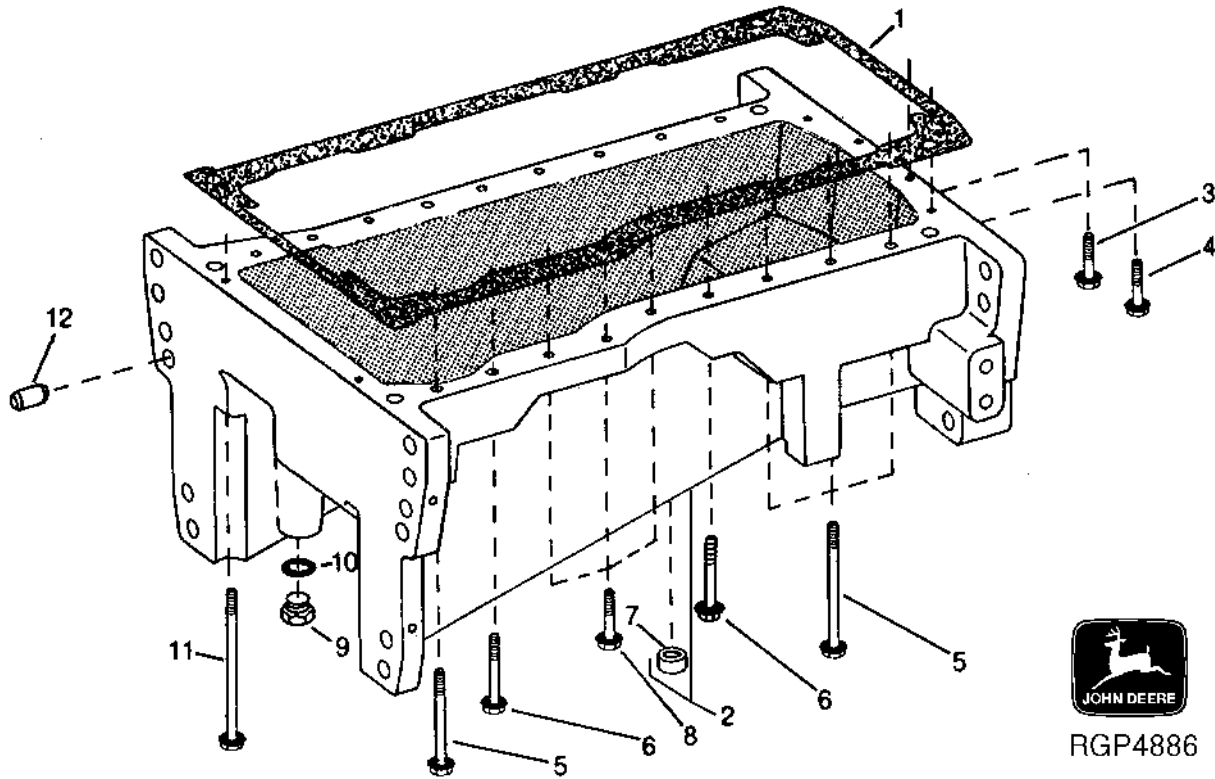
(A) DELUXE CAB
 CABINE DELUXE
 LUKUSKABINE
 CABINA DELUXE
 CABINA DE LUJO
 LYXHYYT

(B) ECONOMY CAB
 CABINE "ECONOMIE"
 EINFACHE KABINE
 CABINA ECONOMICA
 CABINA ECONOMICA
 EKONOMIHYTT

1E9

ENGINE

OIL PAN (6076) (8100,8200,8300 TSN -009999)
 CARTER D'HUILE (6076) (8100,8200,8300 TSN -009999)
 OELWANNE (6076) (8100,8200,8300 TSN -009999)
 COPPA DELL'OLIO (6076) (8100,8200,8300 TSN -009999)
 CARTER DEL ACEITE (6076) (8100,8200,8300 TSN -009999)
 OLJETRAG (6076) (8100,8200,8300 TSN -009999)
 RGP4886 -UN-13MAY97

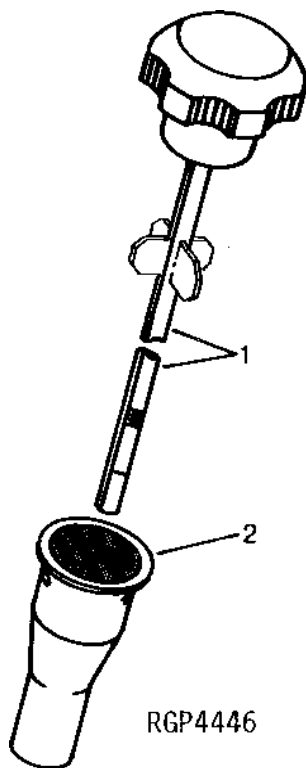


KEY	PART NO.	PART NAME	QTY	ENGINE SERIAL NO.	8 8 8			REMARKS
					1	2	3	
1	R125855	GASKET	1		X	X	X	(SUB FOR R107343)
2	RE71509	OIL PAN	1	-XXXXXX	X	X	X	(MARKED R136471 OR R107229) (SUB FOR RE50889)
	RE161680	OIL PAN	1	XXXXXX-	X	X	X	
	19M7963	CAP SCREW	2	XXXXXX-	X	X	X	
3	R122474	CAP SCREW	2		X	X	X	.375 X 2.25
4	R121395	CAP SCREW	2		X	X	X	.375 X 1.875
5	R122477	CAP SCREW	8		X	X	X	.500 X 6.000
6	R122476	CAP SCREW	4		X	X	X	.500 X 4.000
7	ET14521	BUSHING	4		X	X	X	
8	R122475	CAP SCREW	6		X	X	X	.500 X 2.500
9	R27175	DRAIN PLUG	1		X	X	X	
10	F3171R	O-RING	1		X	X	X	
11	R126912	CAP SCREW	2		X	X	X	.375 X 7.750
12	DOWEL PIN	4		X	X	X	(SUB RE71509)

1E10

ENGINE

ENGINE OIL DIPSTICK (6076) (8100,8200,8300 TSN -009999)
 JAUGE A HUILE MOTEUR (6076) (8100,8200,8300 TSN -009999)
 MOTORDELMESSTAB (6076) (8100,8200,8300 TSN -009999)
 ASTINA DE LIVELLO OLIO MOTORE (6076) (8100,8200,8300 TSN -009999)
 ASPILLA PARA MEDIR EL NIVEL DE ACEITE DEL MOTORE (6076) (8100,8200,8300 TSN -009999)
 MOTORNS OLJETICKA (6076) (8100,8200,8300 TSN -009999)
 RGP4446 -UN-03MAR95

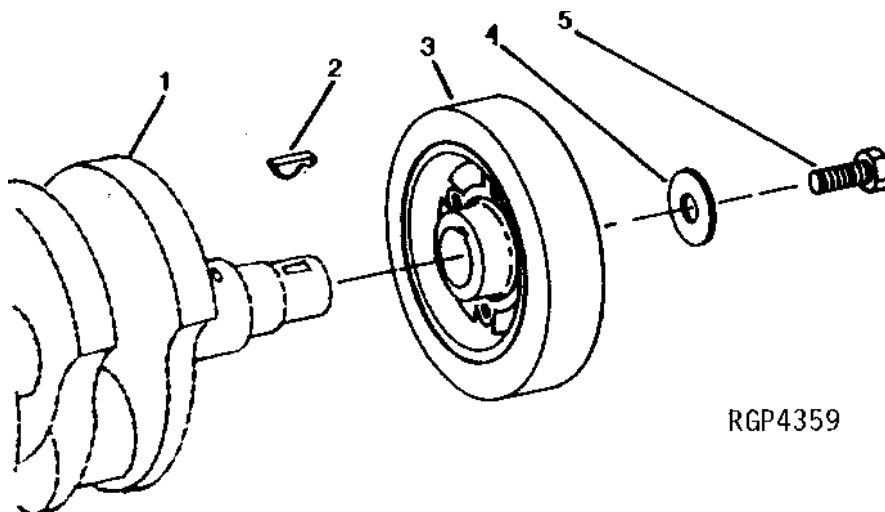


KEY	PART NO.	PART NAME	QTY	ENGINE SERIAL NO.	REMARKS
				8 8 8	
				1 2 3	
				0 0 0	
				0 0 0	
1	RE500209	DIPSTICK	1	X X X	(6076HRW33,34,35) (SUB FOR RE56493)
2	R120801	DIPSTICK TUBE	1	X	(6076HRW33) 107.5 MM (4.23")
	R121764	DIPSTICK TUBE	1	X	(6076HRW34) 118.5 MM (4.66")
	R121765	DIPSTICK TUBE	1	X	(6076HRW35) 126.0 MM (4.96")

1E11

ENGINE

CRANKSHAFT PULLEY (6076) (8100,8200,8300 TSN -009999)
 POULIE DE VILEBREQUIN (6076) (8100,8200,8300 TSN -009999)
 KURBELWELLENRIEMENSCHIEBE (6076) (8100,8200,8300 TSN -009999)
 PULEGGIA DELL'ALBERO A GOMITI (6076) (8100,8200,8300 TSN -009999)
 POLEA DEL CIGUENAL (6076) (8100,8200,8300 TSN -009999)
 VEVAXELREMSKIVA (6076) (8100,8200,8300 TSN -009999)
 RGP4359 -UN-01JAN94

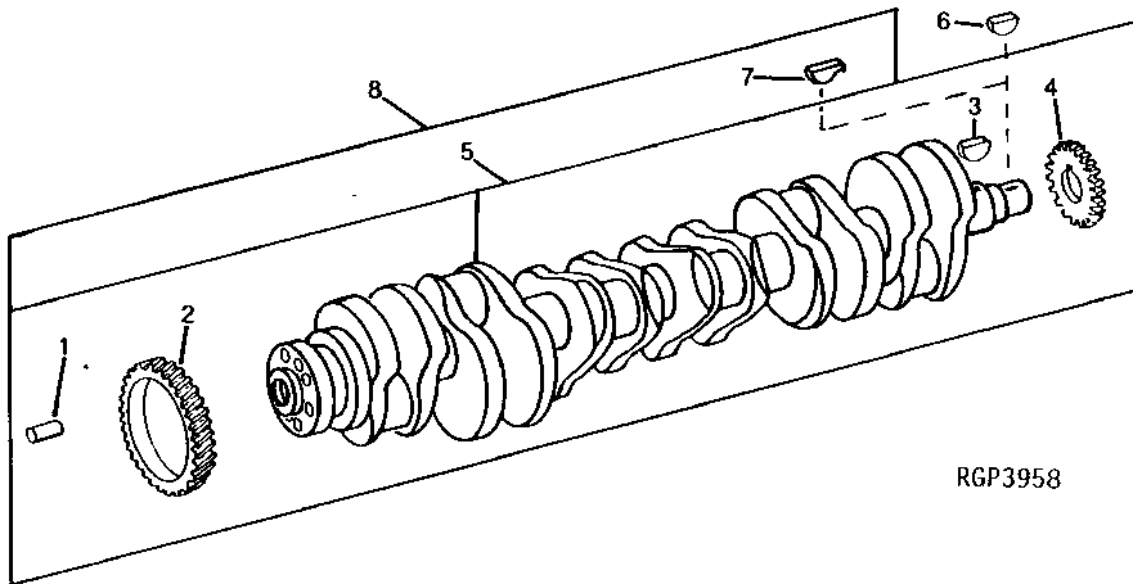


KEY	PART NO.	PART NAME	QTY	ENGINE SERIAL NO.	8 8 8 1 2 3 0 0 0 0 0 0	REMARKS
1	CRANKSHAFT	1		X X X	
2	R116311	KEY	1		X X X	
3	RE24975	TORSIONAL DAMPENER	1		X X X	
4	R26333	WASHER	1		X X X	
5	R79846	CAP SCREW	1		X X X	

1E12

ENGINE

CRANKSHAFT (6076) (8100,8200,8300 TSN -009999)
 VILEBREQUIN (6076) (8100,8200,8300 TSN -009999)
 KURBELWELLE (6076) (8100,8200,8300 TSN -009999)
 ALBERO A COLLI (6076) (8100,8200,8300 TSN -009999)
 CIGUENAL (6076) (8100,8200,8300 TSN -009999)
 VEVAXEL (6076) (8100,8200,8300 TSN -009999)
 RGP3958 -UN-01JAN94

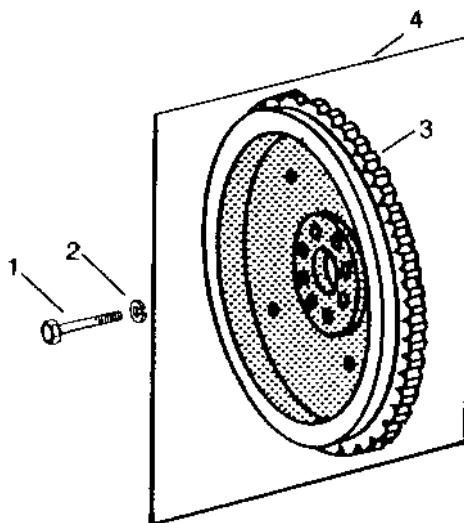


KEY	PART NO.	PART NAME	QTY	ENGINE SERIAL NO.	8	8	8	REMARKS
					1	2	3	
					0	0	0	
					0	0	0	
1	R41934	DOWEL PIN	1		X	X	X	
2	R63326	GEAR	1		X	X	X	(SUB RG23551, THIS APPLICATION)
3	R120752	KEY	1		X	X	X	
4	R104587	GEAR	1		X	X	X	
5	RE53199	CRANKSHAFT	1		X	X	X	(MARKED RE53199) (SUB RG23551)
6	SHAFT KEY	1		X	X	X	
7	R116311	KEY	1		X	X	X	
8	RG23551	CRANKSHAFT	1		X	X	X	(MARKED RE53199)

1E13

ENGINE

FLYWHEEL (6076) (8100,8200,8300 TSN -009999)
 VOLANT (6076) (8100,8200,8300 TSN -009999)
 SCHWUNGRAD (6076) (8100,8200,8300 TSN -009999)
 VOLANO (6076) (8100,8200,8300 TSN -009999)
 VOLANTE (6076) (8100,8200,8300 TSN -009999)
 SVANGHJUL (6076) (8100,8200,8300 TSN -009999)
 RGP3073 -UN-01JAN94



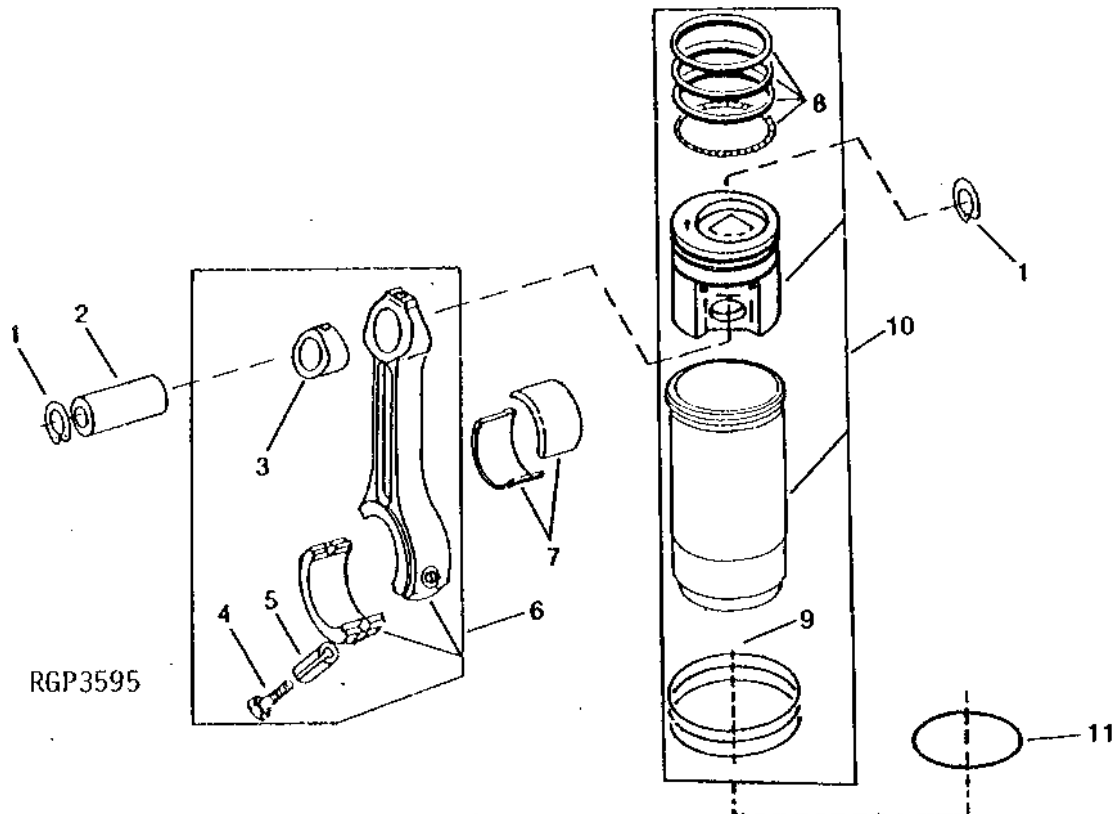
RGP3073

KEY	PART NO.	PART NAME	QTY	ENGINE SERIAL NO.	8 8 8	REMARKS
					1 2 3	
					0 0 0	
					0 0 0	
1	19H3579	CAP SCREW	6		X X X	12.700 X 34.925 MM (1/2" X 1-3/8") (SUB FOR R41049 OR R52634, THIS APPLICATION)
2	T23891	WASHER	6		X X X	13.487 X 20.625 X 1.524 MM (17/32" X 13/16" X 0.060")
3	R28811	RING GEAR	1		X X X	
4	RE44632	FLYWHEEL	1		X X X	(MARKED R107339)

1E14

ENGINE

PISTON/CONNECTING RODS/CYLINDER LINER (6076) (8100,8200,8300 TSN -009999)
 PISTON/BIELLE/CHEMISE DE CYLINDRE (6076) (8100,8200,8300 TSN -009999)
 KOLBEIN/PLEUELSTANGE/ZYLINDERLAUFBUCHSE (6076) (8100,8200,8300 TSN -009999)
 PISTONE/BIELLA/CAMICIE (6076) (8100,8200,8300 TSN -009999)
 PISTON/BIELA/CAMISA DEL CILINDRO (6076) (8100,8200,8300 TSN -009999)
 KOLV/KOLVSTAKE/CYLINDERFODER (6076) (8100,8200,8300 TSN -009999)
 RGP3595 -UN-01JAN94

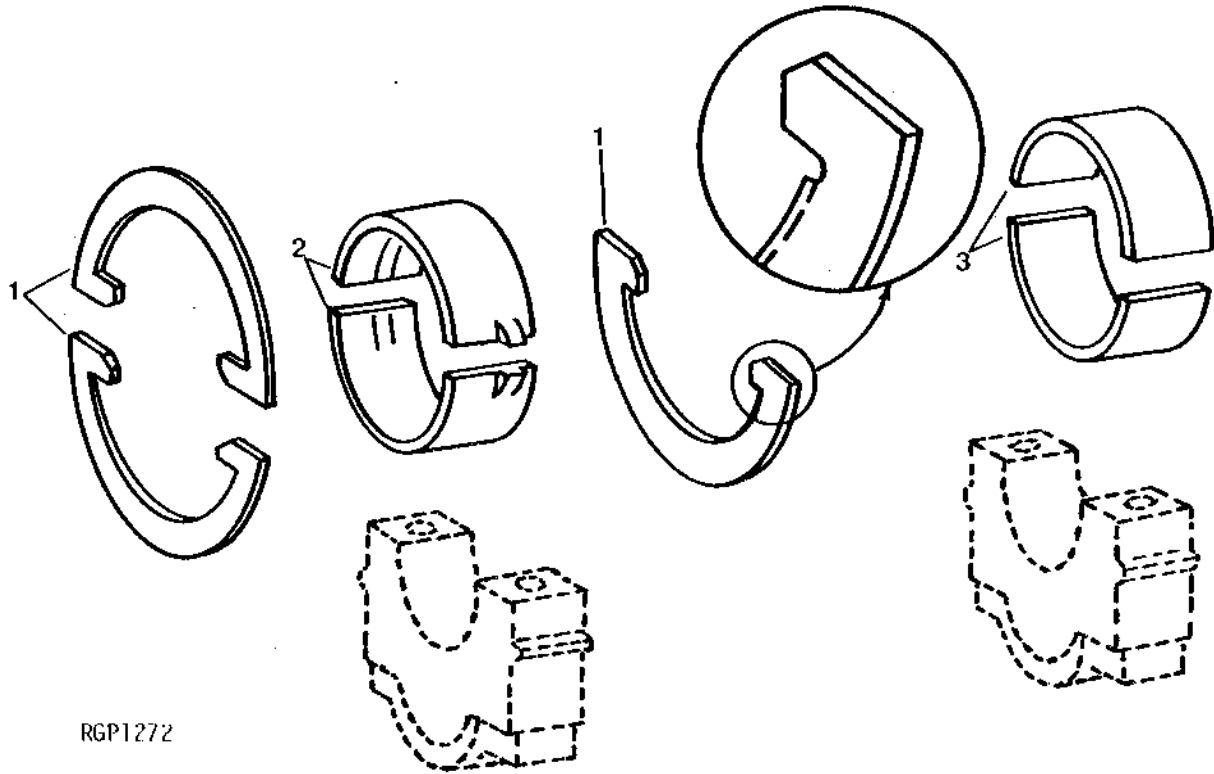


KEY	PART NO.	PART NAME	QTY	ENGINE SERIAL NO.	REMARKS
				8 8 8	
				1 2 3	
				0 0 0	
				0 0 0	
1	E1343FN	SNAP RING	12	X X X	
2	R57771	PISTON PIN	6	X X X	
3	R74008	BUSHING	6	X X X	
4	R66452	CAP SCREW	12	X X X	
5	R53292	SLEEVE	12	X X X	
6	AR93341	CONNECTING ROD	6	X X X	(MARKED R71074)
7	AR73277	BEARING	AR	X X X	STD (PKG (2) R57583)
	AR73278	BEARING	AR	X X X	0.05MM (.002") US (PKG (2) R60485)
	AR73279	BEARING	AR	X X X	0.25MM (.010") US (PKG (2) R60486)
	AR73280	BEARING	AR	X X X	0.51MM (.020") US (PKG (2) R60487)
	AR73281	BEARING	AR	X X X	0.76MM (.030") US (PKG (2) R60488)
8	RE57517	PISTON RING	6	X X X	(USE WITH RE57512)
9	AR98850	KIT	6	X X X	
10	RE60294	KIT	6	X X X	(MARKED RE57512)
11	R93948	SHIM	2	X X X	0.05MM (.002") (MAX)

1E15

ENGINE

MAIN BEARINGS (6076) (8100,8200,8300 TSN -009999)
 PALIERS PRINCIPAUX (6076) (8100,8200,8300 TSN -009999)
 HAUPTLAGER (6076) (8100,8200,8300 TSN -009999)
 CUSCINETTI PRINCIPALI (6076) (8100,8200,8300 TSN -009999)
 COJINETES DE BANCADA (6076) (8100,8200,8300 TSN -009999)
 RAMLAGER (6076) (8100,8200,8300 TSN -009999)
 RGP1272 -UN-01JAN94



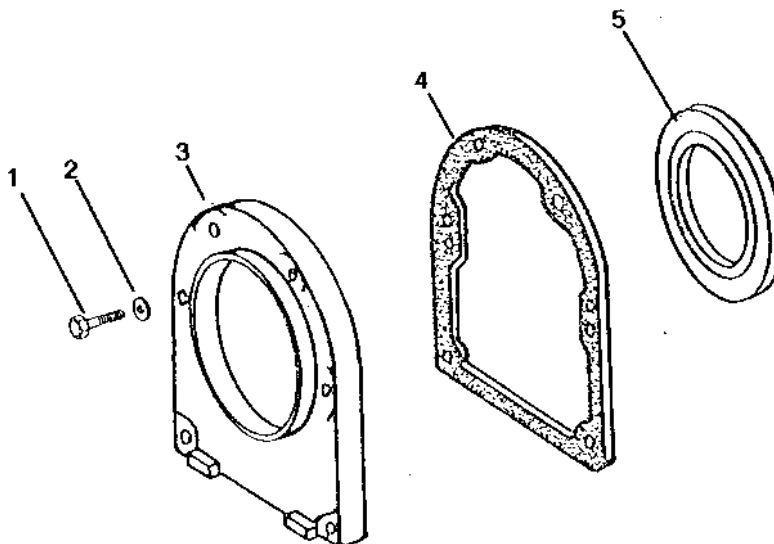
RGP1272

KEY	PART NO.	PART NAME	QTY	ENGINE SERIAL NO.			REMARKS
				8	8	8	
1	AR77747	THRUST WASHER	1	X	X	X	STD (PKG (3) R62986)
	AR77753	THRUST WASHER	1	X	X	X	0.18 MM (.007") OS FLANGE (PKG (2) R63010 AND R62986)
2	AR77748	THRUST BEARING	1	X	X	X	STD (PKG R62987 AND R62988)
	AR77749	THRUST BEARING	1	X	X	X	0.05 MM (.002") US (PKG R63002 AND R63006)
	AR77750	THRUST BEARING	1	X	X	X	0.25 MM (.010") US (PKG R63003 AND R63007)
	AR77751	THRUST BEARING	1	X	X	X	0.51 MM (.020") US (PKG R63004 AND R63008)
	AR77752	THRUST BEARING	1	X	X	X	0.76 MM (.030") US (PKG R63005 AND R63009)
3	AR74814	BEARING	AR	X	X	X	STD (PKG R61289 AND R57584)
	AR74815	BEARING	AR	X	X	X	0.05 MM (.002") US (PKG R61608 AND R60472)
	AR74816	BEARING	AR	X	X	X	0.25 MM (.010") US (PKG R61609 AND R60473)
	AR74817	BEARING	AR	X	X	X	0.51 MM (.020") US (PKG R61610 AND R60474)
	AR74818	BEARING	AR	X	X	X	0.76 MM (.030") US (PKG R61611 AND R60475)

1E16

ENGINE

CRANKSHAFT OIL SEAL AND HOUSING (6076) (8100,8200,8300 TSN -009999)
 JOINT A LEVRE ET CARTER DE VILEBREQUIN (6076) (8100,8200,8300 TSN -009999)
 KURBELWELLENDICHTRING UND GEHAEUSE (6076) (8100,8200,8300 TSN -009999)
 ANELLO DI TENUTA E CARCASSA DELL'ALBERO A GOMITI (6076) (8100,8200,8300 TSN -009999)
 RETEN Y CARACASA DEL ACEITE CIGUENAL (6076) (8100,8200,8300 TSN -009999)
 VEVAXELNS TAETNINGSRING OCH HUS (6076) (8100,8200,8300 TSN -009999)
 RGP2382 -UN-01JAN94



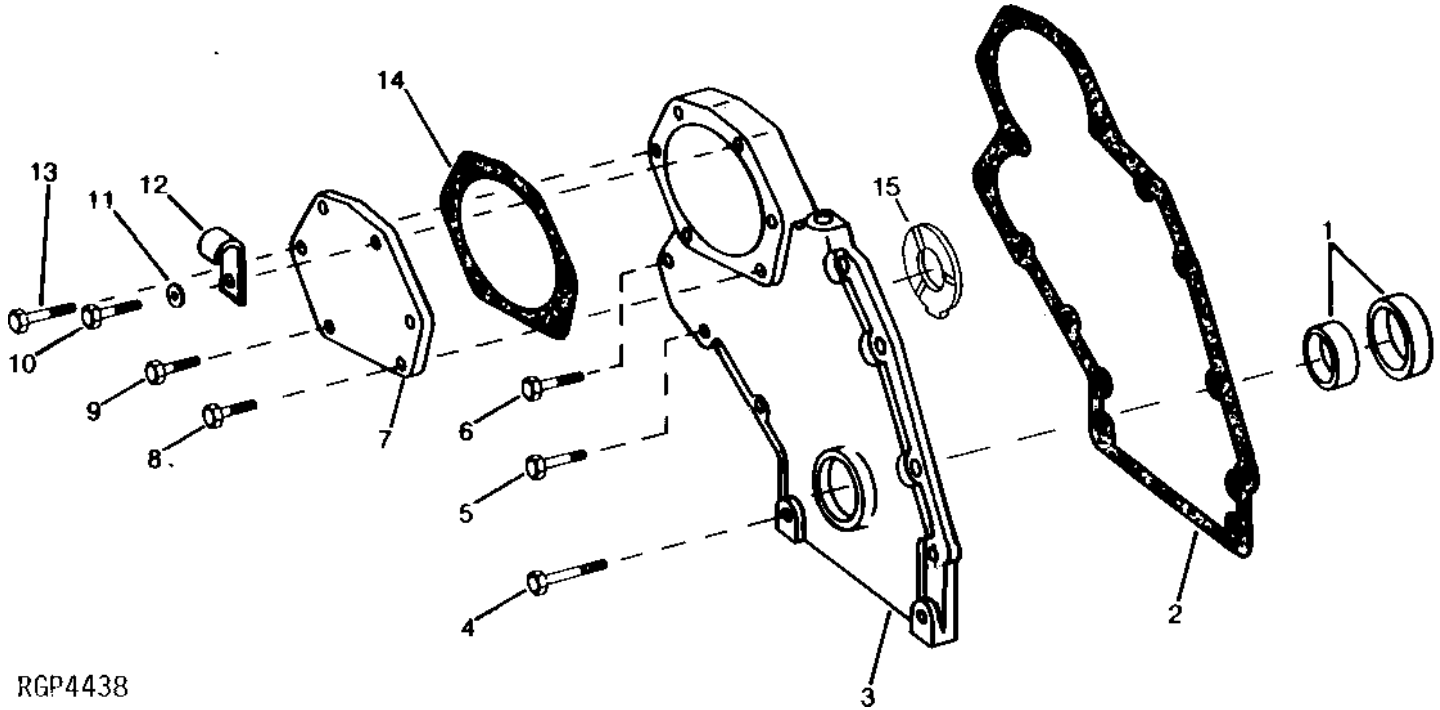
RGP2382

KEY	PART NO.	PART NAME	QTY	ENGINE SERIAL NO.			REMARKS
				8	8	8	
1	R47074	CAP SCREW	6	1	2	3	7.925 X 28.448 MM (5/16" X 1.120")
2	T27860	WASHER	6	0	0	0	11/32" X 11/16" X 0.065"
3	R125027	HOUSING	1	X	X	X	
4	R26058	GASKET	1	X	X	X	
5	RE22764	SEAL	1	X	X	X	

1E17

ENGINE

TIMING GEAR COVER (6076) (8100,8200,8300 TSN -009999)
 COUVERCLE DE DISTRIBUTION (6076) (8100,8200,8300 TSN -009999)
 STEUERGEHAEUSE (6076) (8100,8200,8300 TSN -009999)
 COPERCHIO DISTRIBUZIONE (6076) (8100,8200,8300 TSN -009999)
 TAPA DE LA DISTRIBUCION (6076) (8100,8200,8300 TSN -009999)
 TIDHJULSKAPA (6076) (8100,8200,8300 TSN -009999)
 RGP4438 -UN-28FEB95



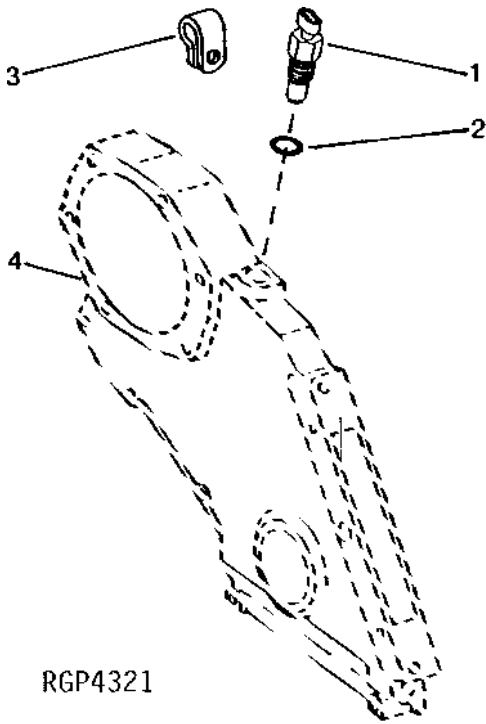
RGP4438

KEY	PART NO.	PART NAME	QTY	ENGINE SERIAL NO.			REMARKS
				8	8	8	
1	AR49025	SEAL	1	X	X	X	
2	R104623	GASKET	1	X	X	X	
3	R124178	COVER	1	X	X	X	
4	R104859	CAP SCREW	7	X	X	X	
5	R104861	CAP SCREW	1	X	X	X	
	12H303	LOCK WASHER	1	X	X	X	5/16"
6	R112269	CAP SCREW	1	X	X	X	
7	R99463	COVER	1	X	X	X	
8	R112268	CAP SCREW	1	X	X	X	
9	R112267	CAP SCREW	1	X	X	X	
	12H303	LOCK WASHER	1	X	X	X	5/16"
10	R112273	CAP SCREW	3	X	X	X	
11	24H1136	WASHER	1	X	X	X	11/32" X 11/16" X 0.065"
12	R72853	CLAMP	NA	X	X	X	
	AH89557	CLIP	NA	X	X	X	
13	R105732	CAP SCREW	NA	X	X	X	
14	R99464	GASKET	1	X	X	X	
15	R104656	THRUST WASHER	1	X	X	X	

1E18

ENGINE

MAGNETIC PICK-UP (ENGINE SPEED SENSOR)(6076) (8100,8200,8300 TSN -009999)
 OUTIL AIMANTE A MANCHE (6076) (8100,8200,8300 TSN -009999)
 MAGNETISCHER MESSWERTGEBER (6076) (8100,8200,8300 TSN -009999)
 CALAMITA RACCATTAPEZZI (6076) (8100,8200,8300 TSN -009999)
 CAPTADOR MAGNETICO (6076) (8100,8200,8300 TSN -009999)
 MAGNETISK GIVARE (6076) (8100,8200,8300 TSN -009999)
 RGP4321 -UN-01JAN94



RGP4321

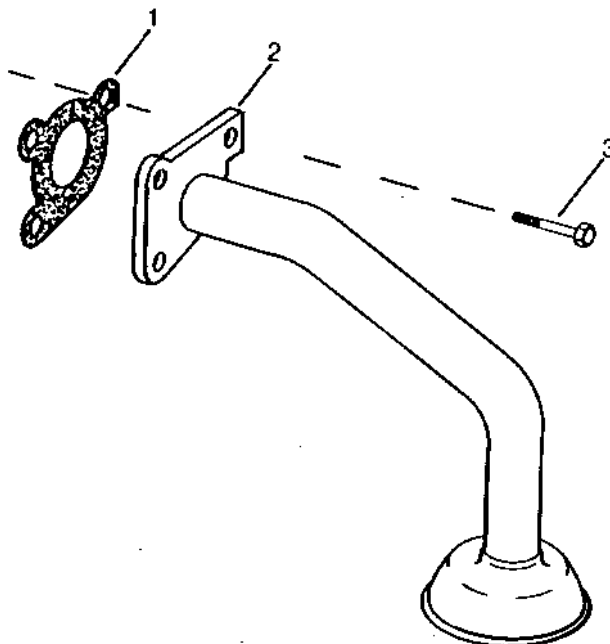
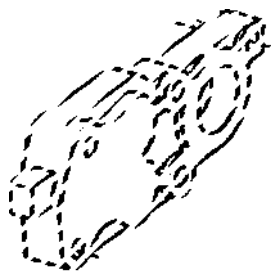
KEY	PART NO.	PART NAME	QTY	ENGINE SERIAL NO.			REMARKS
				8	8	8	
1	RE71121	SENSOR	1	X	X	X	(SUB FOR RE43511)
2	51M7044	O-RING	1	X	X	X	17,300 X 2,200 MM, (SUB FOR R54856, THIS APPLICATION)
3	CLAMP	NA	X	X	X	
4	COVER	1	X	X	X	

1E19

ENGINE

ENGINE OIL PUMP INTAKE (6076)(8100,8200,8300 TSN-009999)
 ADMISSION DE LA POMPE A HUILE MOTEUR (6076)(8100,8200,8300 TSN-009999)
 MOTOROELPUMPENEINLASS (6076)(8100,8200,8300 TSN-009999)
 ASPIRAZIONE DELLA POMPA DELL'OLIO DEL MOTORE (6076)(8100,8200,
 ADMISION DE LA BOMBA DE ACEITE DEL MOTOR (6076)(8100,8200,8300
 MOTOROLJEPUMP, INSUGNING (6076)(8100,8200,8300 TSN-009999)
 RGP3629 -UN-01JAN94

8300 TSN-009999)
 TSN-009999)



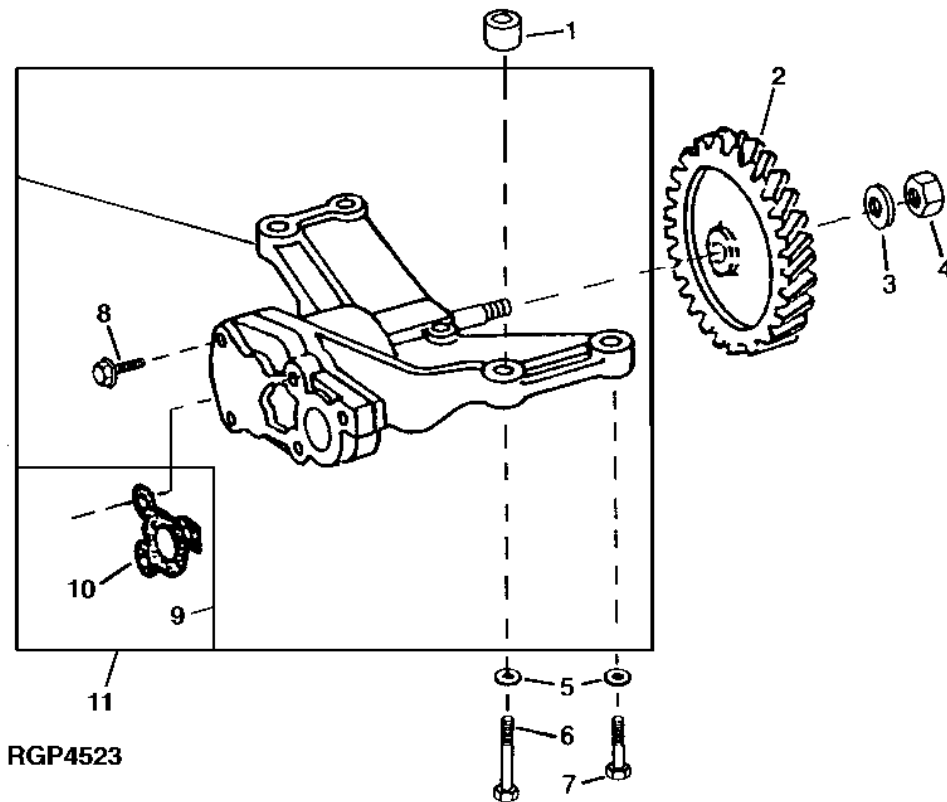
RGP3629

KEY	PART NO.	PART NAME	QTY	ENGINE SERIAL NO.	8 8 8 1 2 3 0 0 0 0 0 0	REMARKS
1	R100569	GASKET	1		X X X	
2	RE42809	OIL PUMP INTAKE	1		X X X	
3	R104628	CAP SCREW	3		X X X	

1E20

ENGINE

OIL PUMP (6076) (8100,8200,8300 TSN -009999)
POMPE A HUILE (6076) (8100,8200,8300 TSN -009999)
OELPUMPE (6076) (8100,8200,8300 TSN -009999)
POMPA OLIO (6076) (8100,8200,8300 TSN -009999)
BOMBA DE ACEITE (6076) (8100,8200,8300 TSN -009999)
OLJEPUMP (6076) (8100,8200,8300 TSN -009999)
RGP4523 -UN-10AUG95



1E21

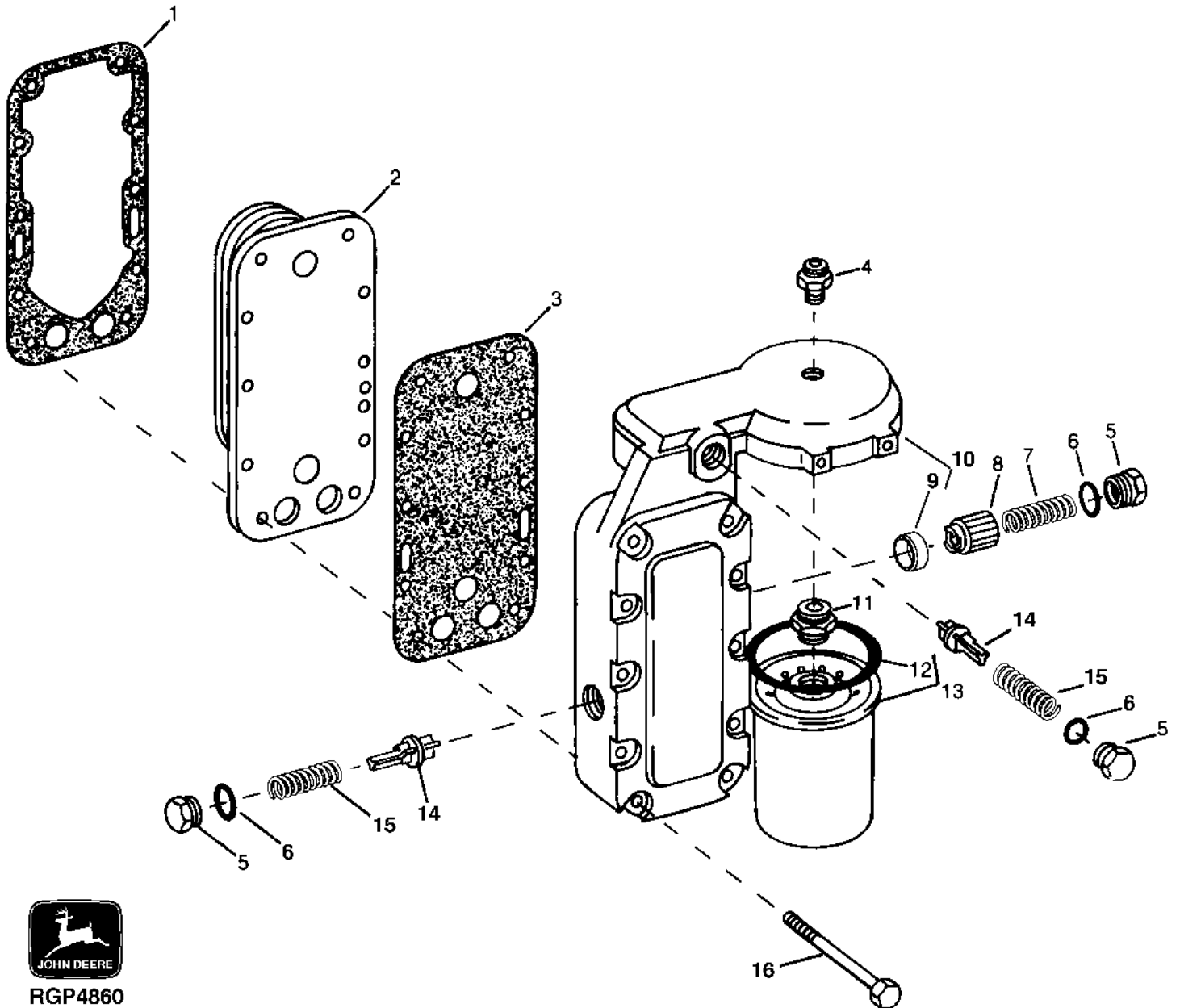
ENGINE

KEY	PART NO.	PART NAME	QTY	ENGINE			REMARKS
				SERIAL NO.	8 8 8	1 2 3	
1	R500642	BUSHING	2		X X X	(SUB FOR R62930, THIS APPLICATION)	
2	R62938	GEAR	1		X X X		
3	T21242	WASHER	1		X X X		
4	14H826	NUT	1		X X X	1/2"	
5	R57696	WASHER	4		X X X		
6	19H2549	CAP SCREW	2		X X X	3/8" X 1-7/8"	
7	19H3219	CAP SCREW	2		X X X	3/8" X 1-3/8"	
8	R104628	CAP SCREW	2		X X X		
	R104628	CAP SCREW	3		X X X	(OIL PUMP INTAKE TO COVER)	
9	RE62723	OIL PUMP	1		X X X	(SUB FOR RE52277) (SUB RE63115)	
10	R100569	GASKET	1		X X X		
11	RE63115	OIL PUMP	1		X X X	(MARKED R124746)	

1E22

ENGINE

ENGINE OIL COOLER/ENGINE OIL FILTER (6076) (8100,8200,8300 TSN -009999)
REFROIDISSEUR D'HUILE MOTEUR/FILTRE A HUILE MOTEUR (6076) (8100,8200,8300 TSN -009999)
MOTOR-OELKUEHLER/MOTOROELFILTER (6076) (8100,8200,8300 TSN -009999)
RAFFREDDATORE OLIO MOTORE/FILTRO OLIO MOTORE (6076) (8100,8200,8300 TSN -009999)
REFRIGERADOR DEL ACEITE DEL MOTOR/FILTRO DE ACEITE DEL MOTORE (6076) (8100,8200,8300 TSN -009999)
MOTOROLJEKYLARE/MOTOROLJEFILTER (6076) (8100,8200,8300 TSN -009999)
RGP4860 -UN-11FEB97



RGP4860

1E23

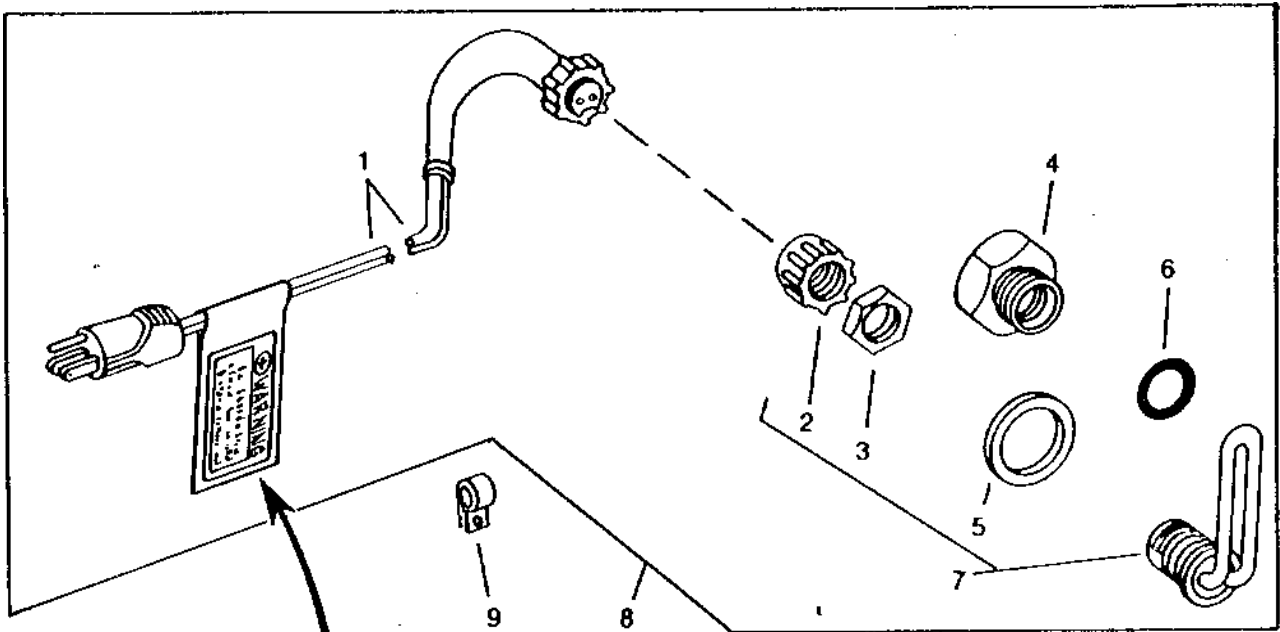
ENGINE

KEY	PART NO.	PART NAME	QTY	ENGINE			REMARKS
				SERIAL NO.	8 8 8	1 2 3	
1	R94618	GASKET	1	-547515	X X X	(SUB R128557)	
	R128557	GASKET	1	547516-	X X X		
2	RE36367	OIL COOLER	1		X X X		
3	R94619	GASKET	1	-547515	X X X	(SUB R128558)	
	R128558	GASKET	1	547516-	X X X		
4	R51133	FITTING	1		X X X		
5	R134727	PLUG	3		X X X	(SUB FOR R100499)	
6	U17409	O-RING	3		X X X		
7	R102844	SPRING	1	-591825	X X X	(SUB R500330)	
	R500330	SPRING	1	591826-	X X X		
8	R124186	RELIEF VALVE	1		X X X	(SUB FOR R94615)	
9	R94620	BUSHING	1		X X X		
10	RE39890	HOUSING	1		X X X	(MARKED R120412)	
11	R104621	ADAPTER	1		X X X		
12	R43660	PACKING	1		X X X		
13	RE57394	OIL FILTER	1		X X X	(MARKED RE57394)	
14	R108867	VALVE	2		X X X		
15	R98064	SPRING	2		X X X		
16	19H3769	CAP SCREW	10		X X X	5/16" X 2-1/2", (SUB FOR R104862)	

1E24

ENGINE

ENGINE COOLANT HEATER (110 V) (NORTH AMERICAN VERSION)
RECHAUFFEUR DU LIQUIDE DE REFROIDISSEMENT (110 V) (VERSION NORD AMERICAINE)
KUEHLWASSER-VORWAERMER (110 V) (NORDAMERIKANISCHE AUSFUEHRUNG)
RISACALDATORE REFRIGERANTE (110 V) (VERSIONE NORDAMERICANA)
DISPOSITIVO PARA EL CALENTAMIENTO DEL LIQUIDO REFRIGERANTE (110 V) (VERSION NORTEAMERICANA)
KYLVATSKEVARMARE (110 V) (NORDAMERIKANSK VERSION)
HP3746 -UN-01JAN94



⚡ WARNING

To prevent shock,
always use a grounded
3-wire extension cord

HP3746

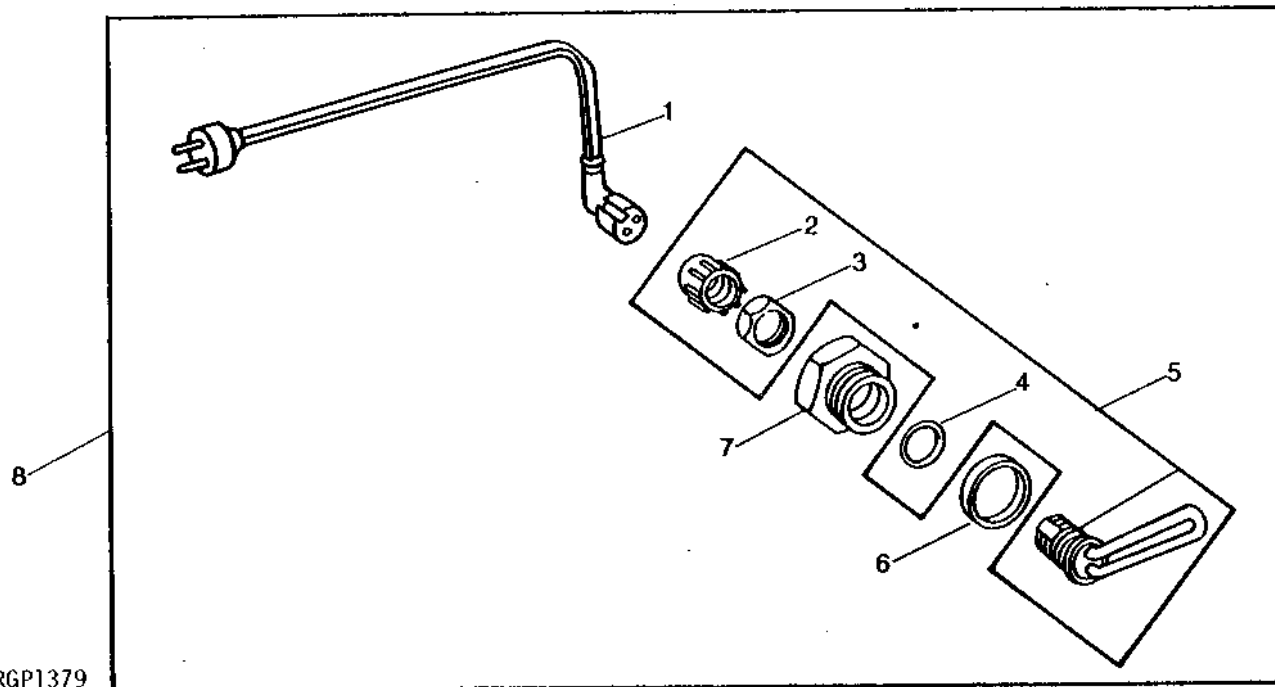
1E25

ENGINE

KEY	PART NO.	PART NAME	QTY	ENGINE SERIAL NO.	A L L	REMARKS
1	AR50411	WIRING LEAD	1		X	
2	R54510	CAP	1		X	
3	R54511	NUT	1		X	
4	R54123	ADAPTER	1		X	
5	U13639	O-RING	1		X	
6	R47693	GASKET	1		X	
7	AR62399	COOLANT HEATER	1		X	(110 VOLT)
8	AR62492	COOLANT HEATER	1		X	
9	R72853	CLAMP	1		X	

ENGINE COOLANT HEATER (220 V) (EUROPEAN VERSION)
 RECHAUFFEUR DU LIQUIDE DE REFROIDISSEMENT (220 V) (VERSION EUROPEENNE)
 KUEHLWASSER-VORWAERMER (220 V) (EUROPAEISCHE AUSFUEHRUNG)
 RISACALDATORE REFRIGERANTE (220 V) (VERSION EUROPEA)
 DISPOSITIVO PARA EL CALENTAMIENTO DEL LIQUIDO REFRIGERANTE (220 V) (VERSION EUROPEA)
 KYLVATSKEVARMARE (220 V) (EUROPEISK VERSION)

RGP1379 -UN-01JAN94



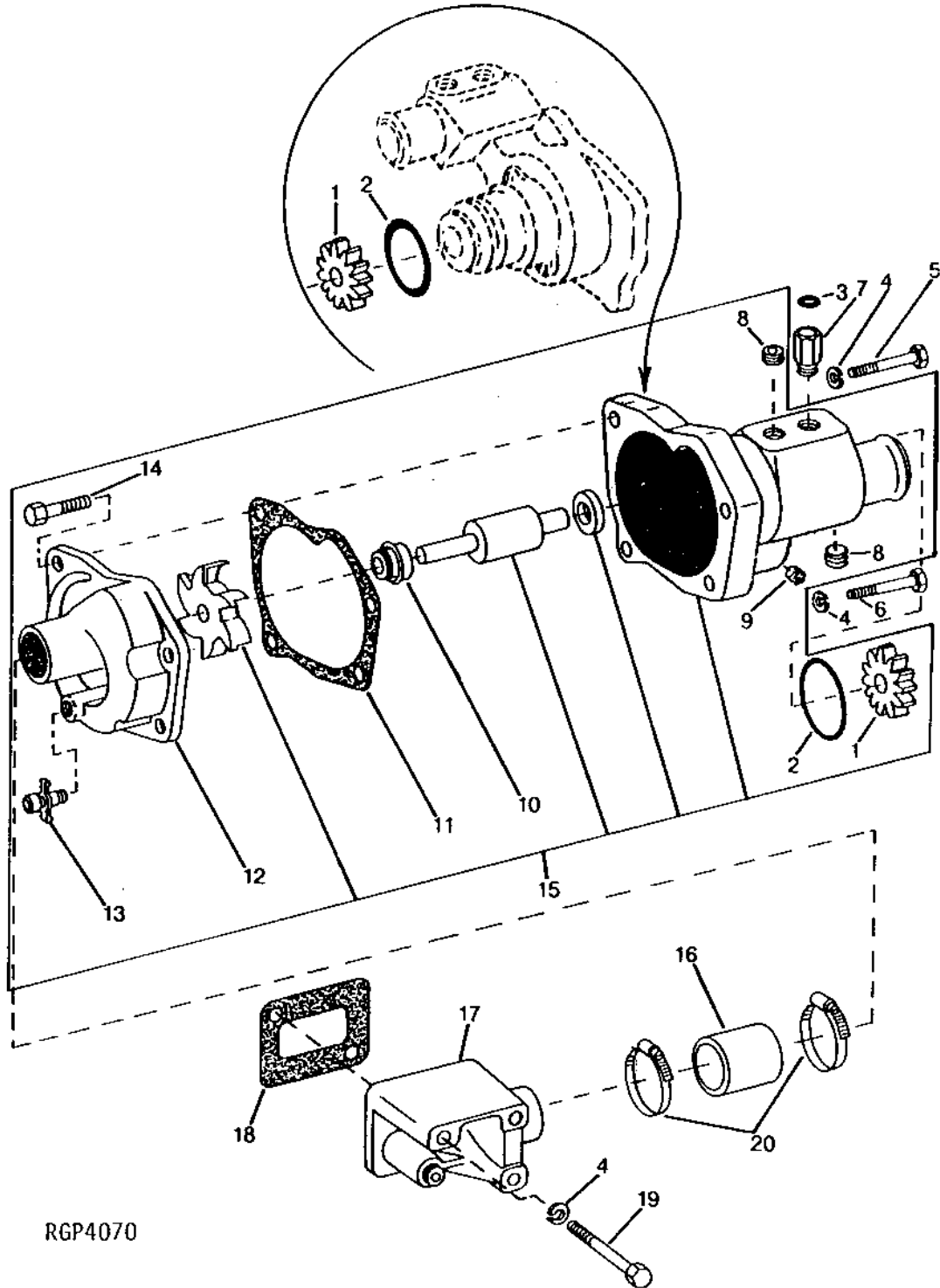
RGP1379

KEY	PART NO.	PART NAME	QTY	ENGINE SERIAL NO.	A	REMARKS
					L	
1	AR87079	POWER CORD	1		X	
2	R54510	CAP	1		X	(SUB AR103807, THIS APPLICATION)
3	R54511	NUT	1		X	(SUB AR103807, THIS APPLICATION)
4	R47693	GASKET	1		X	
5	AR103807	HEATER	1		X	(220 VOLT)
6	U13639	O-RING	1		X	
7	R54123	ADAPTER	1		X	
8	RE39476	HEATER	1		X	(ORDER COMPONENT PARTS)

MEMORANDA
MEMORANDA
MEMORANDA
MEMORANDA
MEMORANDA

1F2

WATER PUMP (6076) (8100,8200,8300 TSN -009999)
POMPE A EAU (6076) (8100,8200,8300 TSN -009999)
WASSERPUMPE (6076) (8100,8200,8300 TSN -009999)
POMPA ACQUA (6076) (8100,8200,8300 TSN -009999)
BOMBA DE AGUA (6076) (8100,8200,8300 TSN -009999)
VATTENPUMP (6076) (8100,8200,8300 TSN -009999)
RGP4070 -UN-01JAN94



1F3

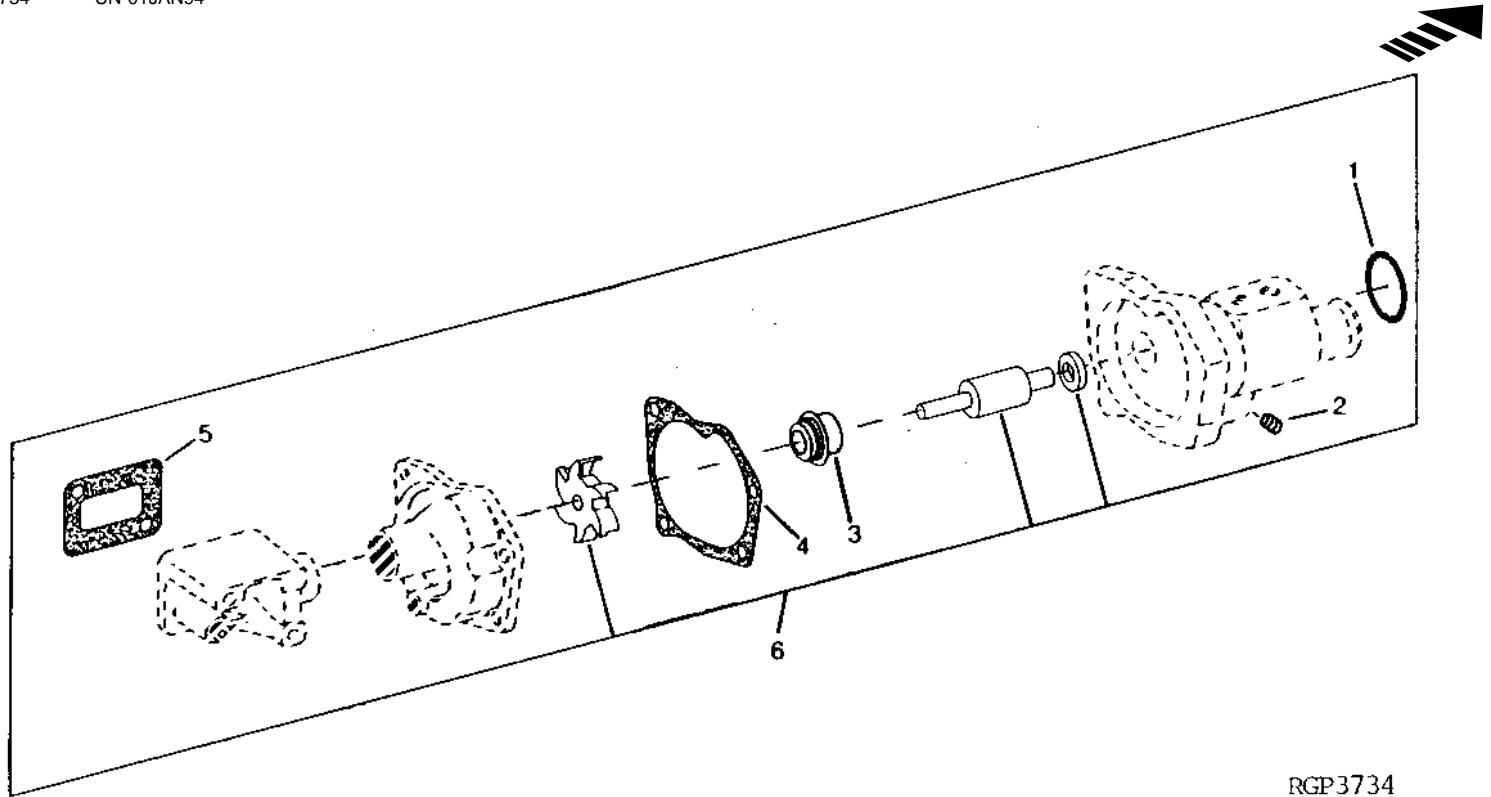
ENGINE

KEY	PART NO.	PART NAME	QTY	ENGINE			REMARKS
				SERIAL NO.	8 8 8	1 2 3	
					0 0 0		
					0 0 0		
1	R104591	GEAR	1		X X X		
2	R101042	O-RING	1		X X X		
3	R72328	O-RING	1		X X X		
4	12H303	LOCK WASHER	NA		X X X		
5	R112267	CAP SCREW	1		X X X		
6	R104861	CAP SCREW	1		X X X		
7	R41285	ADAPTER	1		X X X		
8	15H624	PIPE PLUG	2		X X X	1/2"	
9	R100369	FILTER	2		X X X		
10	RE69839	SEAL	1		X X X	(SUB FOR RE45337) (SUB RE500214 OR RG28370, THIS APPLICATION)	
11	R100367	GASKET	1		X X X		
12	R100364	COVER	1		X X X		
13	AT13740	DRAIN VALVE	1		X X X		
14	R112268	CAP SCREW	1		X X X		
15	RE39121	WATER PUMP	1	-557384	X X X	(MARKED RE39121) (SUB RE500214 OR RG28370, THIS APPLICATION)	
	RE49540	WATER PUMP	1	557385-XXXXXX	X X X	(MARKED RE49540) (SUB RE500214 OR RG28370, THIS APPLICATION)	
	RE68229	WATER PUMP	1	XXXXXX-	X X X	(MARKED RE68229) (SUB RE500214 OR RG28370, THIS APPLICATION)	
	RE500214	WATER PUMP	1		X X X		
	RG28370	WATER PUMP	1		X X X	(REMANUFACTURED)	
	RE503260	KIT	1		X X X	(REPAIR KIT LOW FLOW PUMP)	
16	R96622	HOSE	1		X X X		
17	R96606	COVER	1		X X X		
18	R96616	GASKET	1		X X X		
19	R105732	CAP SCREW	2		X X X		
20	RE67208	CLAMP	2		X X X	(SUB FOR RE43166, THIS APPLICATION)	

1F4

ENGINE

WATER PUMP SEAL KIT (6076) (8100,8200,8300 TSN -009999)
 POMPE A EAU/JEU DE JOINTS (6076) (8100,8200,8300 TSN -009999)
 WASSERPUMPE/DICHTUNGSSATZ (6076) (8100,8200,8300 TSN -009999)
 POMPA DELL'ACQUA/CORREDO DI GUARNIZIONI (6076) (8100,8200,8300 TSN -009999)
 BOMBA DE AGUA/JUEGO DE JUNTAS (6076) (8100,8200,8300 TSN -009999)
 VATTENPUMP/REPARATIONSSATS (6076) (8100,8200,8300 TSN -009999)
 RGP3734 -UN-01JAN94



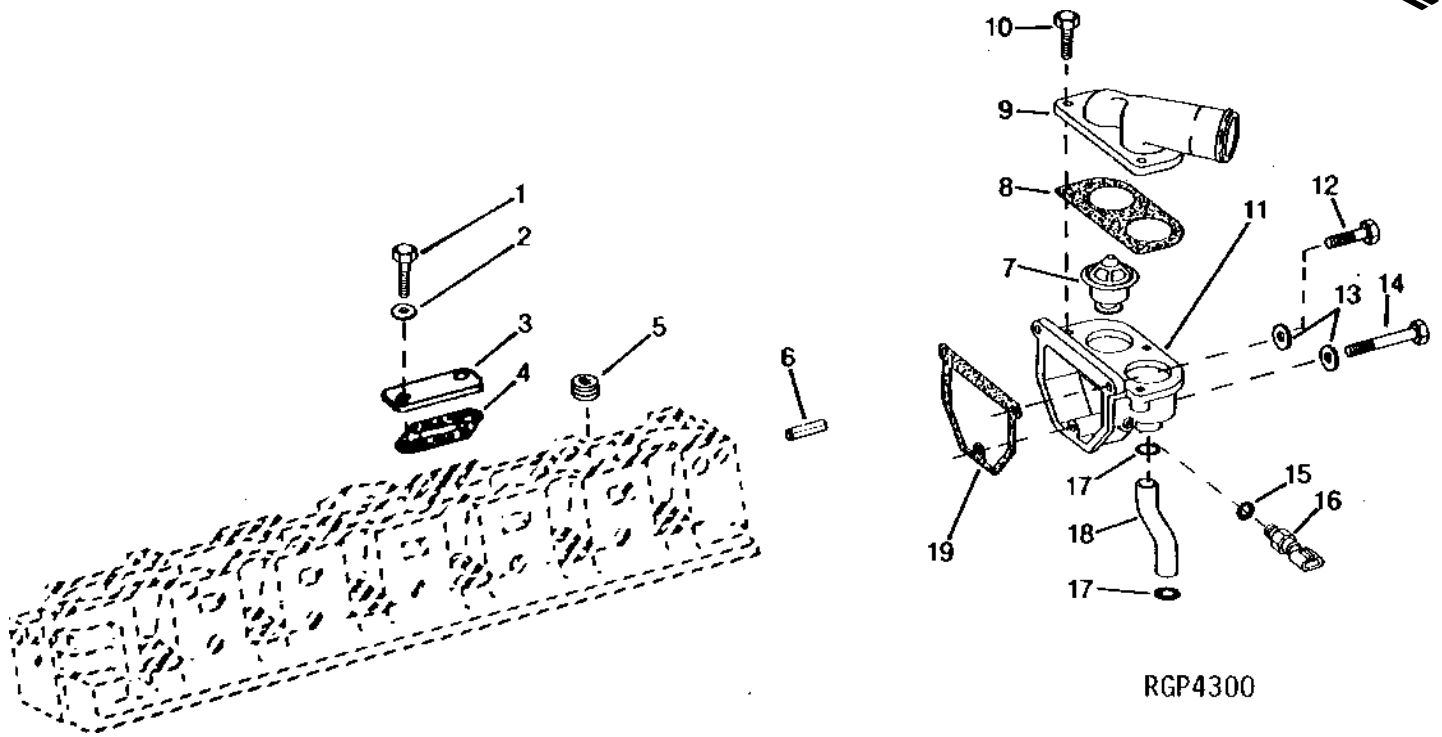
RGP3734

KEY	PART NO.	PART NAME	QTY	ENGINE SERIAL NO.	8	8	8	REMARKS
					1	2	3	
1	R101042	O-RING	1		X	X	X	
2	R100369	FILTER	2		X	X	X	
3	RE69839	SEAL	1		X	X	X	(SUB FOR RE45337) (SUB RE500214 OR RG28370, THIS APPLICATION)
4	R100367	GASKET	1		X	X	X	
5	R96616	GASKET	1		X	X	X	
6	RE58350	KIT	1	-557384	X	X	X	(USE WITH RE39121) (SUB RE500214 OR RG28370, THIS APPLICATION) (HIGH FLOW)
	RE58356	KIT	1	557385-XXXXXX	X	X	X	(USE WITH RE49540) (SUB RE500214 OR RG28370, THIS APPLICATION) (LOW FLOW)
	RE68315	KIT	1	XXXXXX-	X	X	X	(USE WITH RE39121, RE49540 OR RE68229) (SUB RE500214 OR RG28370, THIS APPLICATION) (LOW FLOW)
	RE500214	WATER PUMP	1	XXXXXX-	X	X	X	(SUB FOR RE68315) (LOW FLOW)

1F5

ENGINE

WATER MANIFOLD AND THERMOSTAT (6076) (8100,8200,8300 TSN -009999) (ESN -548694)
 PIPE D'EAU/THERMOSTAT (6076) (8100,8200,8300 TSN -009999) (ESN -548694)
 KUEHLWASSERKRUEMMER/THERMOSTAT (6076) (8100,8200,8300 TSN -009999) (ESN -548694)
 COLLETTORE DELL'ACQUA/TERMOSTATO (6076) (8100,8200,8300 TSN -009999)(ESN -548694)
 COLECTOR DEL AGUA DE REFRIGERACION/TERMOSTATO (6076)8100,8200,8300 TSN -009999(ESN-548694)
 VATTENMANTEL/TERMOSTAT (6076) (8100,8200,8300 TSN -009999) (ESN -548694)
 RGP4300 -UN-01JAN94



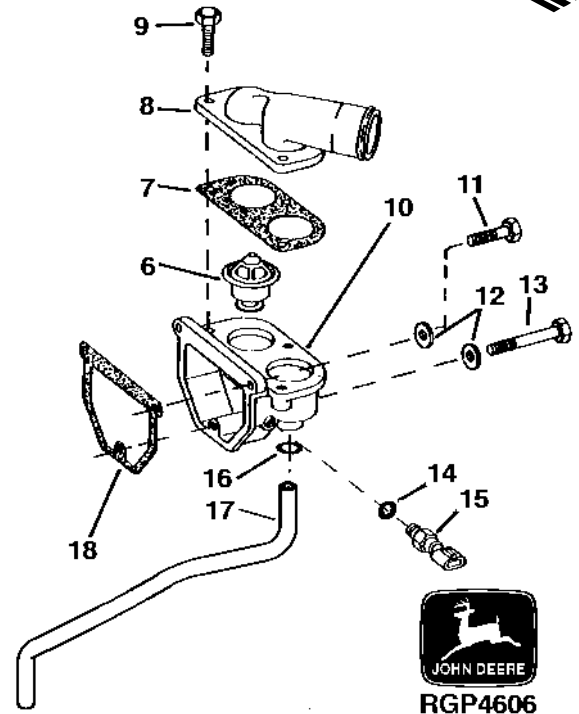
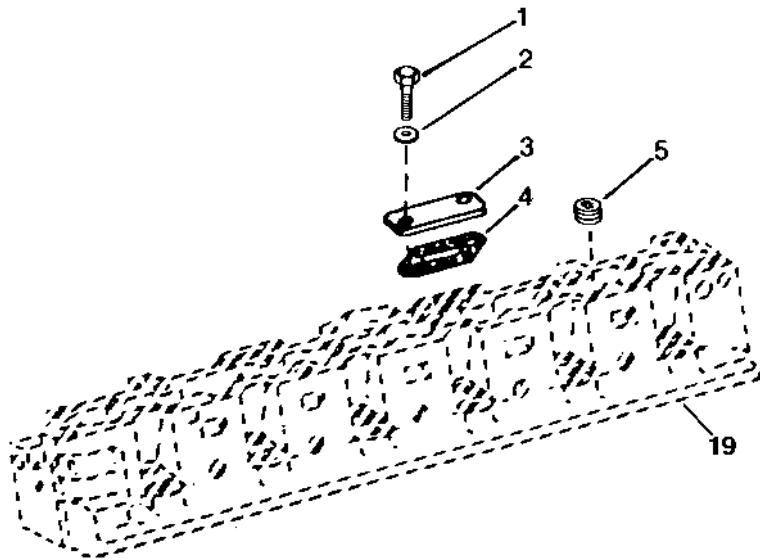
RGP4300

KEY	PART NO.	PART NAME	QTY	ENGINE SERIAL NO.				REMARKS
					8	8	8	
					1	2	3	
					0	0	0	
					0	0	0	
1	19H2284	CAP SCREW	4		X	X	X	3/8" X 7/8"
2	24H1305	WASHER	4		X	X	X	13/32" X 13/16" X 0.065"
3	R86061	STRAP	2		X	X	X	
4	R88397	GASKET	2		X	X	X	
5	15H691	PIPE BUSHING	NA		X	X	X	1/8"
6	34H329	SPRING PIN	1		X	X	X	5/16" X 1-1/4"
7	AR48675	THERMOSTAT	2		X	X	X	82°C (180°F)
8	R124607	GASKET	1		X	X	X	
9	R122196	COVER	1		X	X	X	
10	19H2284	CAP SCREW	3		X	X	X	3/8" X 7/8"
11	R122195	HOUSING	1		X	X	X	
12	19H3483	CAP SCREW	2		X	X	X	3/8" X 1-1/8"
13	24M7096	WASHER	3		X	X	X	10.500 X 18 X 1.600 MM
14	19H1819	CAP SCREW	1		X	X	X	3/8" X 2-1/8"
15	R77673	O-RING	1		X	X	X	
16	RE151433	WATER TEMPERATURE SENSOR	1		X	X	X	(SUB FOR RE48073)
17	R72328	O-RING	2		X	X	X	
18	R121990	TUBE	1		X	X	X	(SUB R127595)
19	R124211	GASKET	1		X	X	X	

1F6

ENGINE

WATER MANIFOLD (6076) (8100,8200,8300 TSN -009999) (ESN 548695-)
 PIPE D'EAU/THERMOSTAT (6076) (8100,8200,8300 TSN -009999) (ESN 548695-)
 KUEHLWASSERKRUEMMER/THERMOSTAT (6076) (8100,8200,8300 TSN -009999) (ESN 548695-)
 COLLETTORE DELL'ACQUA/TERMOSTATO (6076) (8100,8200,8300 TSN -009999) (ESN 548695-)
 COLECTOR DEL AGUQ DE REFRIGACION/TERMOSTATO (6076)8100,8200,8300 TSN -009999)(ESN 548695-)
 VATTENMANTEL/TERMOSTAT (6076) (8100,8200,8300 TSN -009999) (ESN 548695-)
 RGP4606 -UN-14NOV95



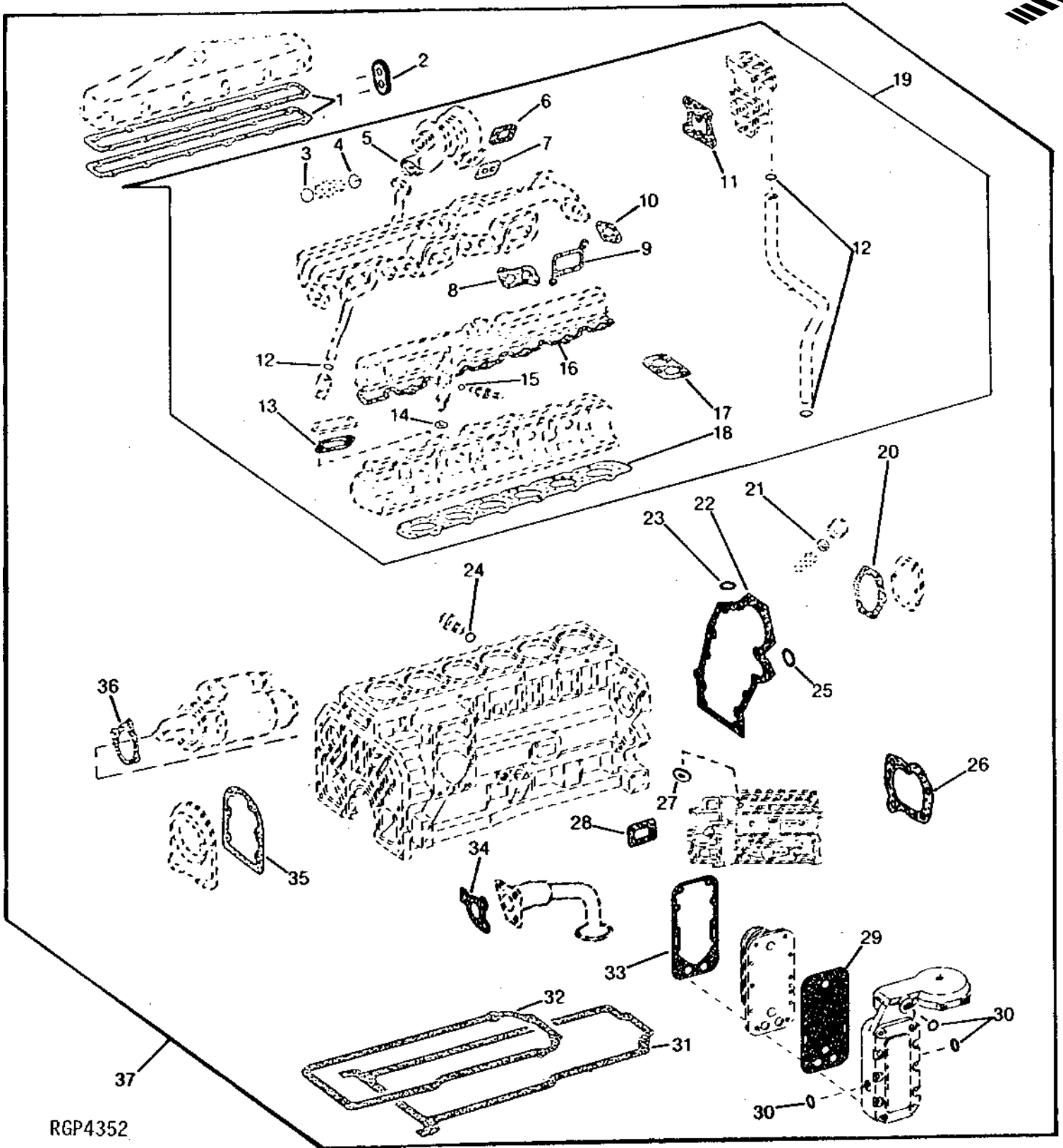
KEY	PART NO.	PART NAME	QTY	ENGINE SERIAL NO.			REMARKS
				8	8	8	
1	19H2284	CAP SCREW	4	X	X	X	3/8" X 7/8"
2	24H1305	WASHER	4	X	X	X	13/32" X 13/16" X 0.065"
3	R86061	STRAP	2	X	X	X	
4	R88397	GASKET	2	X	X	X	
5	15H691	PIPE BUSHING	NA	X	X	X	1/8"
6	AR48675	THERMOSTAT	2	X	X	X	82°C (180°F)
7	R124607	GASKET	1	X	X	X	
8	R122196	COVER	1	X	X	X	
9	19H2284	CAP SCREW	3	X	X	X	3/8" X 7/8"
10	R122195	HOUSING	1	X	X	X	
11	19H3483	CAP SCREW	2	X	X	X	3/8" X 1-1/8"
12	24M7096	WASHER	3	X	X	X	10.500 X 18 X 1.600 MM
13	19H1819	CAP SCREW	1	X	X	X	3/8" X 2-1/8"
14	R77673	O-RING	1	X	X	X	
15	RE151433	WATER TEMPERATURE SENSOR	1	X	X	X	(SUB FOR RE48073)
16	R72328	O-RING	2	X	X	X	
17	R127595	TUBE	1	X	X	X	
18	R124211	GASKET	1	X	X	X	
19	RE58516	CYLINDER HEAD	1	X	X	X	
	34H329	SPRING PIN	1	X	X	X	5/16" X 1-1/4"

MEMORANDA
MEMORANDA
MEMORANDA
MEMORANDA
MEMORANDA

1F7

ENGINE

ENGINE GASKET KITS (6076) (8100,8200,8300 TSN -009999)
JEU DE JOINTS MOTEUR (6076) (8100,8200,8300 TSN -009999)
MOTOR-DICHTUNGSSATZ (6076) (8100,8200,8300 TSN -009999)
SERIE GUARNIZIONI MORORE (6076) (8100,8200,8300 TSN -009999)
JUEGO DE JUNTAS PARA EL MOTOR (6076) (8100,8200,8300 TSN -009999)
PACKNINGSSATS FOR MOTOR (6076) (8100,8200,8300 TSN -009999)
RGP4352 -UN-01JAN94



RGP4352

1F8

ENGINE

KEY	PART NO.	PART NAME	QTY	ENGINE SERIAL NO.	8 8 8			REMARKS
					0	0	0	
1	R88993	GASKET	NA		X	X	X	
2	R100911	SEAL	NA		X	X	X	
3	R50405	O-RING	NA		X	X	X	
4	R86743	O-RING	NA		X	X	X	
5	R105346	GASKET	1		X	X	X	
6	R92097	GASKET	1		X	X	X	
7	R89879	GASKET	1		X	X	X	
8	RE62776	GASKET	2		X	X	X	(SUB FOR R83020 OR R122503, APPL)
9	R120646	GASKET	3		X	X	X	
10	RE62777	GASKET	2		X	X	X	(SUB FOR R83021 OR R122504, APPL)
11	R86062	GASKET	1		X	X	X	
12	R72328	O-RING	2		X	X	X	
13	R88397	GASKET	2		X	X	X	
14	R84472	WASHER	6		X	X	X	
15	R77551	O-RING	6		X	X	X	
16	R49866	GASKET	1		X	X	X	
17	R124607	GASKET	1		X	X	X	(SUB FOR R46479)
18	RE47336	ENGINE CYLINDER HEAD GASKET	1		X	X	X	
19	RG27880	GASKET KIT	1		X	X	X	(SUB FOR RE29859 OR RG22248, APPL) CYLINDER HEAD
20	R99464	GASKET	1		X	X	X	
21	T20328	GASKET	1		X	X	X	
22	R104623	GASKET	1		X	X	X	
23	R79915	O-RING	1		X	X	X	
24	U13639	O-RING	1		X	X	X	
25	R101042	O-RING	1		X	X	X	
26	R100367	GASKET	1		X	X	X	
27	R53899	WASHER	1		X	X	X	(USE WITH R83490)
	R53901	WASHER	1		X	X	X	(USE WITH R83489)
28	R96616	GASKET	1		X	X	X	
29	R94619	GASKET	1	-547515	X	X	X	(SUB R128558)
	R128558	GASKET	1	547516-	X	X	X	
30	U17409	O-RING	3		X	X	X	
31	GASKET	NA		X	X	X	
32	GASKET	NA		X	X	X	
33	R94618	GASKET	1	-547515	X	X	X	(SUB R128557)
	R128557	GASKET	1	547516-	X	X	X	
34	R100569	GASKET	1		X	X	X	
35	R26058	GASKET	1		X	X	X	
36	R53108	GASKET	1		X	X	X	
37	RG27881	GASKET KIT	1		X	X	X	(A) ENGINE REBUILD, (SUB FOR RE64206) (ALSO ORDER R124607, AND R124211, APPL)

(A) ALSO ORDER R125855 OIL PAN GASKET, AS REQUIRED.

1F9

ENGINE

KEY	PART NO.	PART NAME	QTY	ENGINE SERIAL NO.	8 8 8			REMARKS
					1	2	3	
				0	0	0		
				0	0	0		
2	R51936	PACKING	6		X	X	X	
3	RE30920	FUEL LINE	1		X	X	X	
4	R97061	TEE FITTING	1		X	X	X	
5	RE30833	FUEL LINE	1		X	X	X	
6	R91824	FITTING	1		X	X	X	
7	R48693	WASHER	1		X	X	X	
8	RE35684	FUEL LINE	1		X	X	X	
9	R67364	ELBOW FITTING	1		X	X	X	
10	RE57372	FUEL INJECTION PUMP	1	-XXXXXX	X	X	X	(A) (ROBERT BOSCH) (PES6P120A720RS3184) (SUB RE63514, R121164 AND (4) R121195)
	RE63514	FUEL INJECTION PUMP	1	XXXXXX-XXXXXX	X	X	X	(A) (ROBERT BOSCH) (PES6P120A720RS3347) (SUB RE502259, R121164 AND (4) R121195, THIS APPLICATION)
	RE502259	FUEL INJECTION PUMP	1	XXXXXX-	X	X	X	
11	R104590	GEAR	1	-XXXXXX	X	X	X	(USE WITH RE57372 OR RE63514)
	R121164	GEAR	1	XXXXXX-	X	X	X	(USE WITH RE502259)
12	R63845	WASHER	4	-XXXXXX	X	X	X	(USE WITH RE57372 OR RE63514)
13	19H3690	CAP SCREW	4	-XXXXXX	X	X	X	3/8" X 3/4", (USE WITH RE57372 OR RE63514)
	R121195	CAP SCREW	4	XXXXXX-	X	X	X	(USE WITH RE502259)
14	R114130	STUD	4		X	X	X	(SUB FOR R55396, APPL)
15	M72490	WASHER	4		X	X	X	
16	14H1090	NUT	4		X	X	X	3/8", (SUB FOR E55662, APPL)
17	RE46252	FUEL PUMP	1		X	X	X	
18	R79060	O-RING	1		X	X	X	(SUB FOR R73858)
19	AR88903	ELBOW FITTING	1		X	X	X	
20	R67264	PACKING	2		X	X	X	
21	RE43369	OIL LINE	1		X	X	X	
22	R76822	FITTING	1		X	X	X	
23	RE28217	FUEL TEMPERATURE SENSOR	1		X	X	X	(TEMPERATURE)
24	R89014	SOLENOID	1		X	X	X	(SHUT-OFF HOUSING)
	R99047	O-RING	1		X	X	X	(TO SOLENOID AND PUMP)
	12H296	WASHER	1		X	X	X	(TO SOLENOID)
	14M7297	NUT	1		X	X	X	(TO SOLENOID)
25	R98500	O-RING	1		X	X	X	
26	R53899	WASHER	1		X	X	X	
..	R105388	TIE BAND	2		X	X	X	

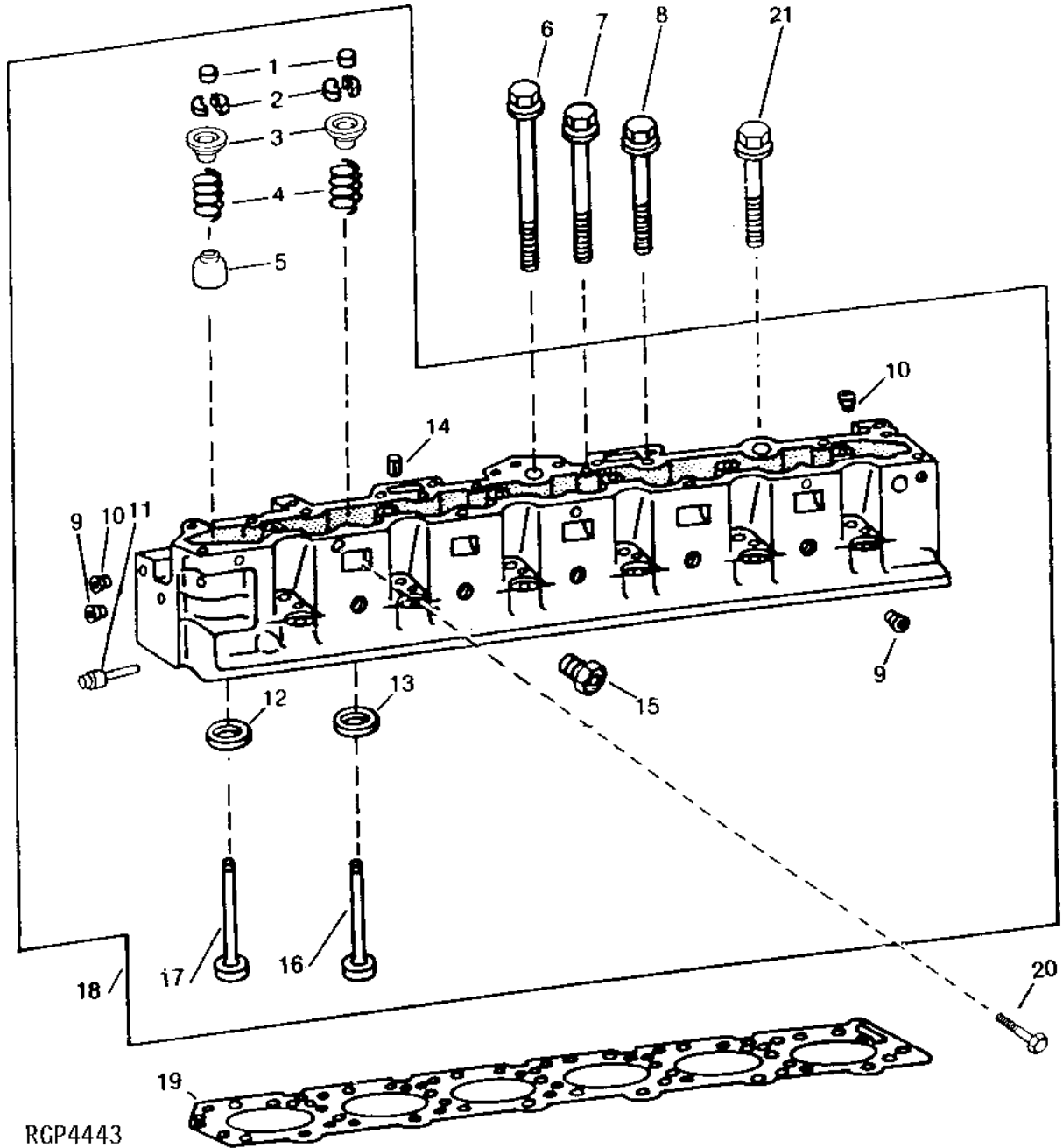
(A) "SEE YOUR AUTHORIZED PUMP REPAIR STATION FOR PARTS NOT LISTED"

MEMORANDA
MEMORANDA
MEMORANDA
MEMORANDA
MEMORANDA

1F10

ENGINE

CYLINDER HEAD AND VALVES (6081) (8100,8200,8300 TSN 010000-)
CULASSE (6081) (8100,8200,8300 TSN 010000-)
ZYLINDERKOPF (6081) (8100,8200,8300 TSN 010000-)
TESTATA (6081) (8100,8200,8300 TSN 010000-)
CULATA (6081) (8100,8200,8300 TSN 010000-)
CYLINDERTOPP (6081) (8100,8200,8300 TSN 010000-)
RGP4443 -UN-28FEB95



1F11

ENGINE

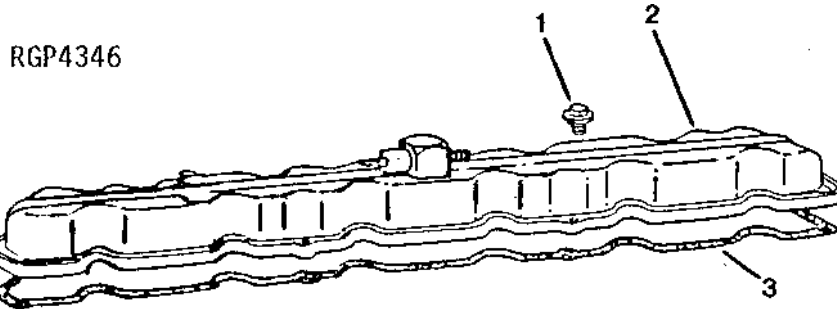
KEY	PART NO.	PART NAME	QTY	ENGINE			REMARKS
				SERIAL NO.	8 8 8	1 2 3	
1	T20129	CAP	12		X X X		
2	T20077	RETAINER	24		X X X		
3	R136320	CAP	12		X X X		(SUB FOR R104534)
4	R91822	SPRING	12		X X X		
5	R102882	SHIELD	6		X X X		(EXHAUST VALVES ONLY)
6	R121491	CAP SCREW	7		X X X		203 MM (8.0") (MARKED "SPECIAL")
7	R121490	CAP SCREW	8		X X X		175 MM (6.9") (MARKED "SPECIAL")
8	R121320	CAP SCREW	6		X X X		134 MM (5.3") (MARKED "SPECIAL")
9	15H690	PIPE PLUG	10		X X X		3/4"
10	15H584	PIPE PLUG	2		X X X		1/2"
11	AT107509	PLUG	1		X X X		
12	R119132	VALVE SEAT INSERT	6		X X X		EXHAUST
13	R121193	VALVE SEAT INSERT	6		X X X		INTAKE
14	34H387	SPRING PIN	1		X X X		3/16" X 3/4"
15	R76491	PIPE PLUG	1		X X X		
16	R84618	INTAKE VALVE	6		X X X		STD
	R93308	INTAKE VALVE	AR		X X X		0.08MM (.003") OS
	R93312	INTAKE VALVE	AR		X X X		0.38MM (.015") OS
	R93314	INTAKE VALVE	AR		X X X		0.76MM (.030") OS
17	R84619	EXHAUST VALVE	6		X X X		STD
	R93311	EXHAUST VALVE	AR		X X X		0.08MM (.003") OS
	R93313	EXHAUST VALVE	AR		X X X		0.38MM (.015") OS
	R93315	EXHAUST VALVE	AR		X X X		0.76MM (.030") OS
18	RE57750	CYLINDER HEAD	1		X X X		(MARKED R122419 OR R122492)
19	RE55475	ENGINE CYLINDER HEAD GASKET	1		X X X		
20	19H2367	CAP SCREW	1		X X X		5/8" X 3/4"
21	R121489	CAP SCREW	5		X X X		149 MM (5.9") (MARKED "SPECIAL")
..	RG24026	KIT	1		X X X		(A) (CONTAINS (26) "SPECIAL" HEAD BOLTS)

(A) ALSO CONTAINED IN NEW SHORT BLOCK ASSEMBLY

1F12

ENGINE

ROCKER ARM COVER (6081) (8100,8200,8300 TSN 010000-))
 CULBUTEURS (6081) (8100,8200,8300 TSN 010000-))
 ZYLINDERKOPFHAUBE (6081) (8100,8200,8300 TSN 010000-))
 COPERCHIO BILANCIERI (6081) (8100,8200,8300 TSN 010000-))
 TAPA DE BALANCINES (6081) (8100,8200,8300 TSN 010000-))
 VENTILKAPA (6081) (8100,8200,8300 TSN 010000-))
 RGP4346 -UN-01JAN94

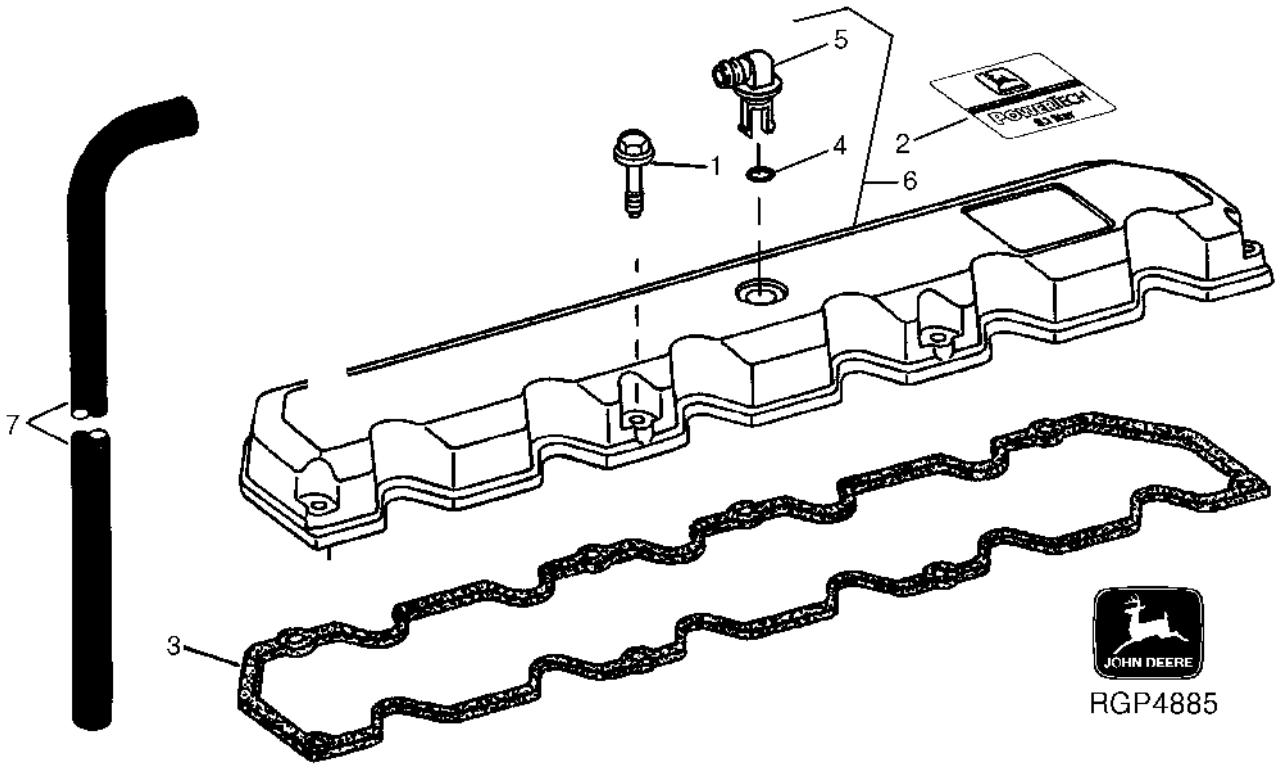


KEY	PART NO.	PART NAME	QTY	ENGINE SERIAL NO.	8 8 8 1 2 3 0 0 0 0 0 0	REMARKS
1	AR100124	SCREW, WITH WASHER	8	-018791	X X X	
2	RE37448	COVER	1	-018791	X X X	
3	R49866	GASKET	1	-018791	X X X	
..	AR31790	ADHESIVE	1	-018791	X X X	(SUB TY24446)
..	TY24446	ADHESIVE	1		X X X	(SUB FOR AR31790)

1F13

ENGINE

ROCKER ARM COVER (6081) (8100, 8200, 8300 TSN 010000-))
 CULBUTEURS (6081) (8100,8200,8300 TSN 010000-))
 ZYLINDERKOPFHAUBE (6081) (8100,820,8300 TSN 010000-))
 COPERCHIO BILANCIERI (6081) (8100,8200,8300 TSN 010000-))
 TAPA DE BALANCINES (6081) (8100,8200,8300 TSN 010000-))
 VENTILKAPA (6081) (8100,8200, 8300 TSN 010000-))
 RGP4885 -UN-13MAY97



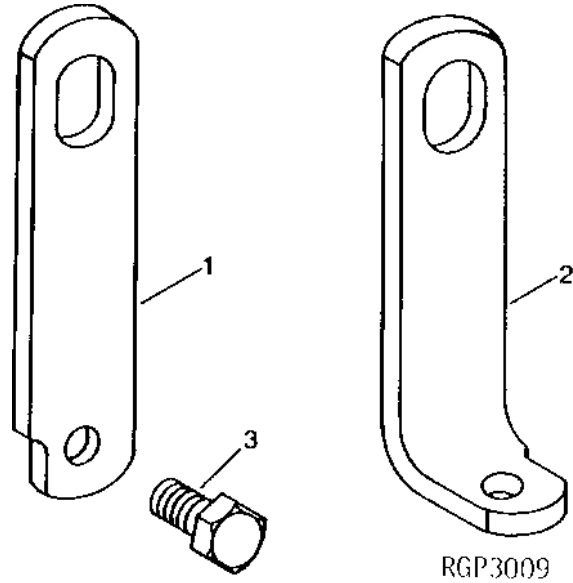
KEY	PART NO.	PART NAME	QTY	ENGINE SERIAL NO.	8	8	8	REMARKS
					0	0	0	
1	RE57632	SCREW, WITH WASHER	8	018792-	X	X	X	
2	R116932	MEDALLION	1	018792-	X	X	X	
3	RE54368	GASKET	1	018792-	X	X	X	
4	R72328	O-RING	1	018792-	X	X	X	
5	R120467	ELBOW FITTING	1	018792-	X	X	X	
6	RE70023	COVER	1	018792-	X	X	X	
7	R126432	HOSE	1	018792-	X	X	X	
..	R72659	CLAMP	1	018792-	X	X	X	

MEMORANDA
MEMORANDA
MEMORANDA
MEMORANDA
MEMORANDA

1F14

ENGINE

LIFT STRAPS (6081) (8100,8200,8300 TSN 010000-)
 ECLISSES D'APAREIL DE LEVAGE (6081) (8100,8200,8300 TSN 010000-)
 HUBSTREBE (6081) (8100,8200,8300 TSN 010000-)
 FASCETTE DEL PARANCO (6081) (8100,8200,8300 TSN 010000-)
 TIRAS DE ELEVADOR (6081) (8100,8200,8300 TSN 010000-)
 MOTORLYFTSFAESTEN (6081) (8100,8200,8300 TSN 010000-)
 RGP3009 -UN-01JAN94

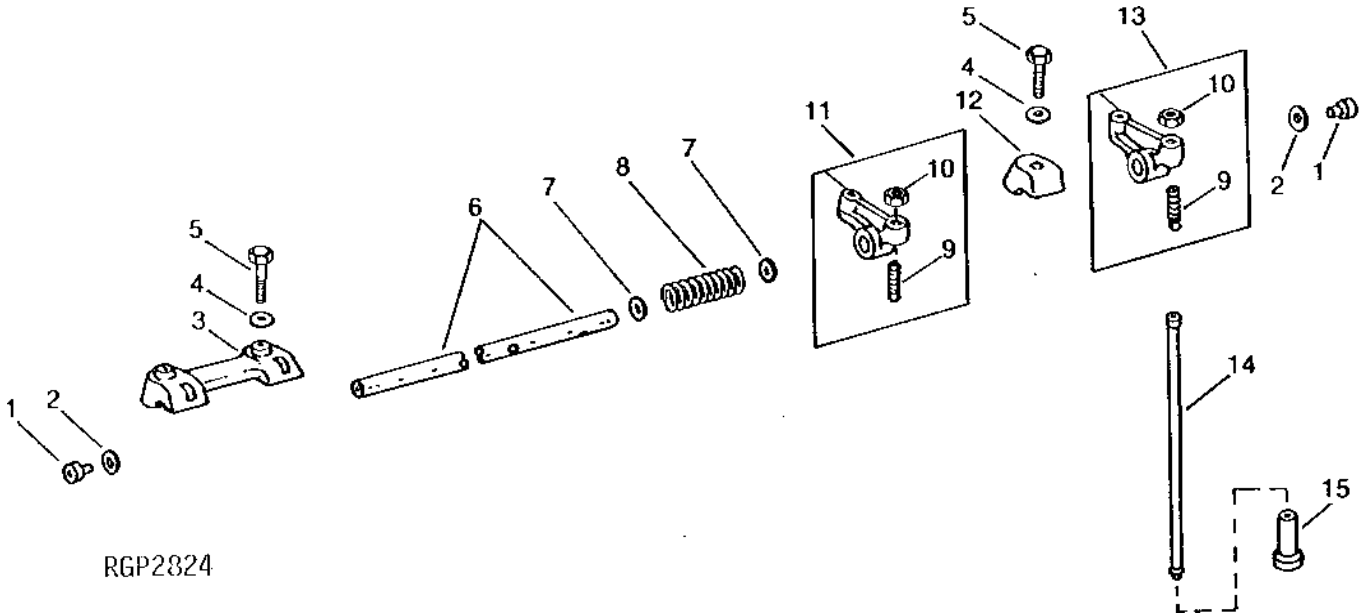


KEY	PART NO.	PART NAME	QTY	ENGINE SERIAL NO.	REMARKS
1	R61497	STRAP	1	8 8 8	
2	R86571	ANGLE	1	1 2 3	
3	19H1756	CAP SCREW	2	0 0 0	5/8" X 1-1/2"

1F15

ENGINE

ROCKER ARMS, SHAFT AND PUSH RODS (6081) (8100,8200,8300 TSN 010000-)
 ARBRES DES CULBUTEURS (6081) (8100,8200,8300 TSN 010000-)
 KIPPEBELWELLE (6081) (8100,8200,8300 TSN 010000-)
 ALBERO BILANCIERI (6081) (8100,8200,8300 TSN 010000-)
 EJE DE BALANCINES (6081) (8100,8200,8300 TSN 010000-)
 VIPPARMSAXEL (6081) (8100,8200,8300 TSN 010000-)
 RGP2824 -UN-01JAN94



RGP2824

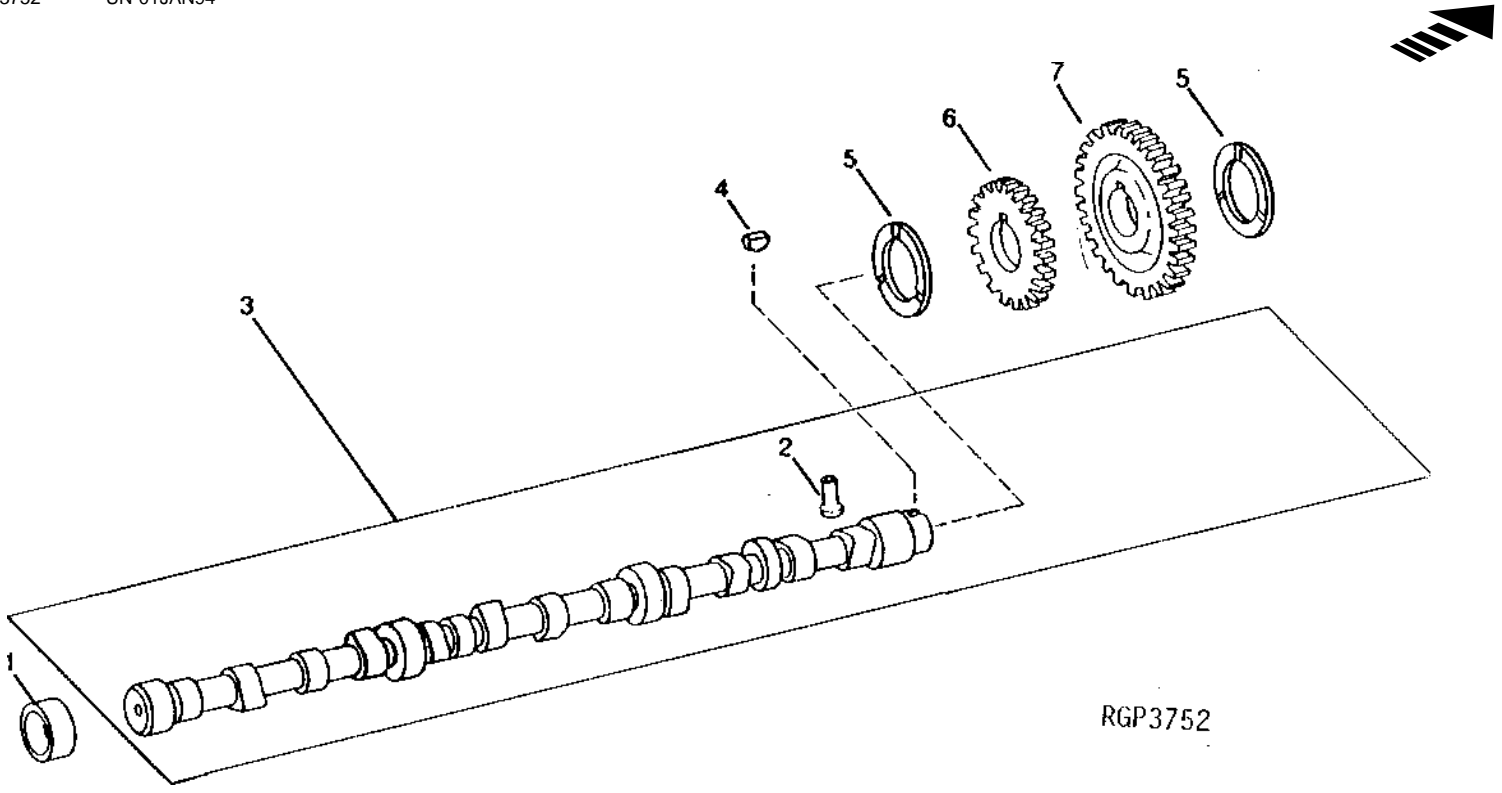
KEY	PART NO.	PART NAME	QTY	ENGINE SERIAL NO.			REMARKS
				8	8	8	
1	R54565	PLUG	2	X	X	X	
2	R26081	WASHER	2	X	X	X	
3	R136083	CLAMP	2	X	X	X	(SUB FOR R65553)
4	R26559	WASHER	6	X	X	X	
5	19H1740	CAP SCREW	6	X	X	X	7/16" X 1-3/4"
6	R70826	ROCKER ARM SHAFT	1	X	X	X	
7	R71208	WASHER	10	X	X	X	
8	R26079	SPRING	5	X	X	X	
9	R27443	SET SCREW	12	X	X	X	
10	14H1080	NUT	12	X	X	X	3/8"
11	RE24045	ROCKER ARM	6	X	X	X	(A) (1E, 2I, 3E, 4I, 5E, 6I) (RH)
12	R26748	CLAMP	2	X	X	X	
13	RE24046	ROCKER ARM	6	X	X	X	(A) (1I, 2E, 3I, 4E, 5I, 6E) (LH)
14	R85027	PUSH ROD	12	X	X	X	
15	R110126	CAM FOLLOWER	12	X	X	X	

(A) - E (EXHAUST VALVE) - I (INTAKE VALVE)

1F16

ENGINE

CAMSHAFT AND GEAR (6081) (8100,8200,8300 TSN 010000-))
 ARBRE A CAMES (6081) (8100,8200,8300 TSN 010000-))
 NOCKENWELLE (6081) (8100,8200,8300 TSN 010000-))
 ALBERO A CAMME (6081) (8100,8200,8300 TSN 010000-))
 EJE DE LEVAS (6081) (8100,8200,8300 TSN 010000-))
 KAMAXEL/VENTILER (6081) (8100,8200,8300 TSN 010000-))
 RGP3752 -UN-01JAN94

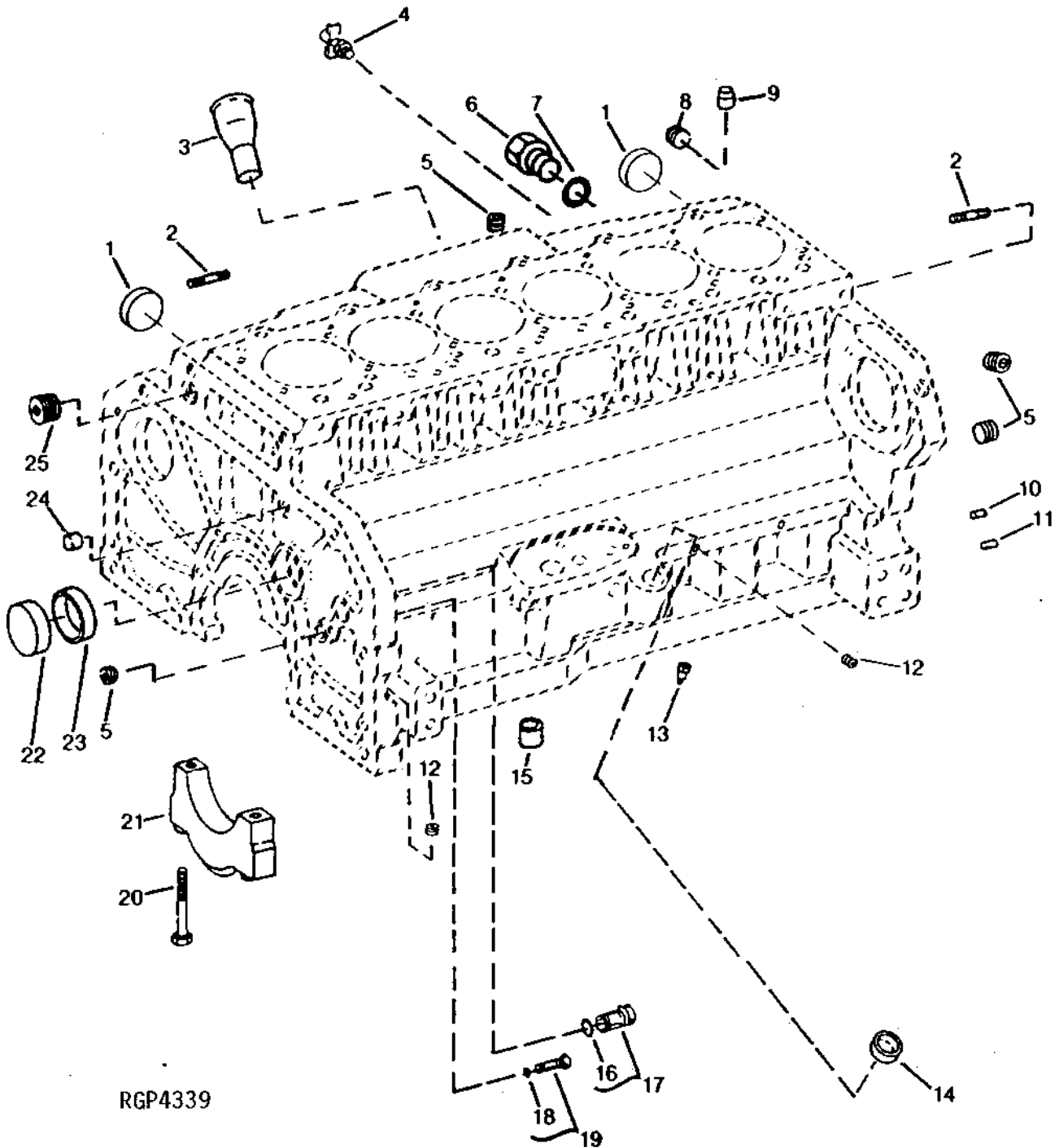


KEY	PART NO.	PART NAME	QTY	ENGINE SERIAL NO.	8	8	8	REMARKS
					1	2	3	
1	R87561	BUSHING	4		X	X	X	
2	R110126	CAM FOLLOWER	12		X	X	X	
3	RE57054	CAMSHAFT	1		X	X	X	(MARKED R120872)
4	26H91	SHAFT KEY	1		X	X	X	3/16" X 1-1/4"
5	R104656	THRUST WASHER	2		X	X	X	
6	R104589	GEAR	1		X	X	X	
7	R112053	GEAR	1		X	X	X	

1F17

ENGINE

CYLINDER BLOCK FITTINGS (6081) (8100,8200,8300 TSN 010000-)
RACCORDS DE BLOC-CYLINDRES (6081) (8100,8200,8300 TSN 010000-)
ZYLINDERBLOCK-FITTINGS (6081) (8100,8200,8300 TSN 010000-)
RACCORDI DEL MONOBLOQUE DE CILANDRO (6081) (8100,8200,8300 TSN 010000-)
CONECTORES DEL BLOQUE DE CILANDRO (6081) (8100,8200,8300 TSN 010000-)
SKRUVFOER BINDNINGAR FOER CYLINDERBLOCK (6081) (8100,8200,8300 TSN 010000-)
RGP4339 -UN-01JAN94



1F18

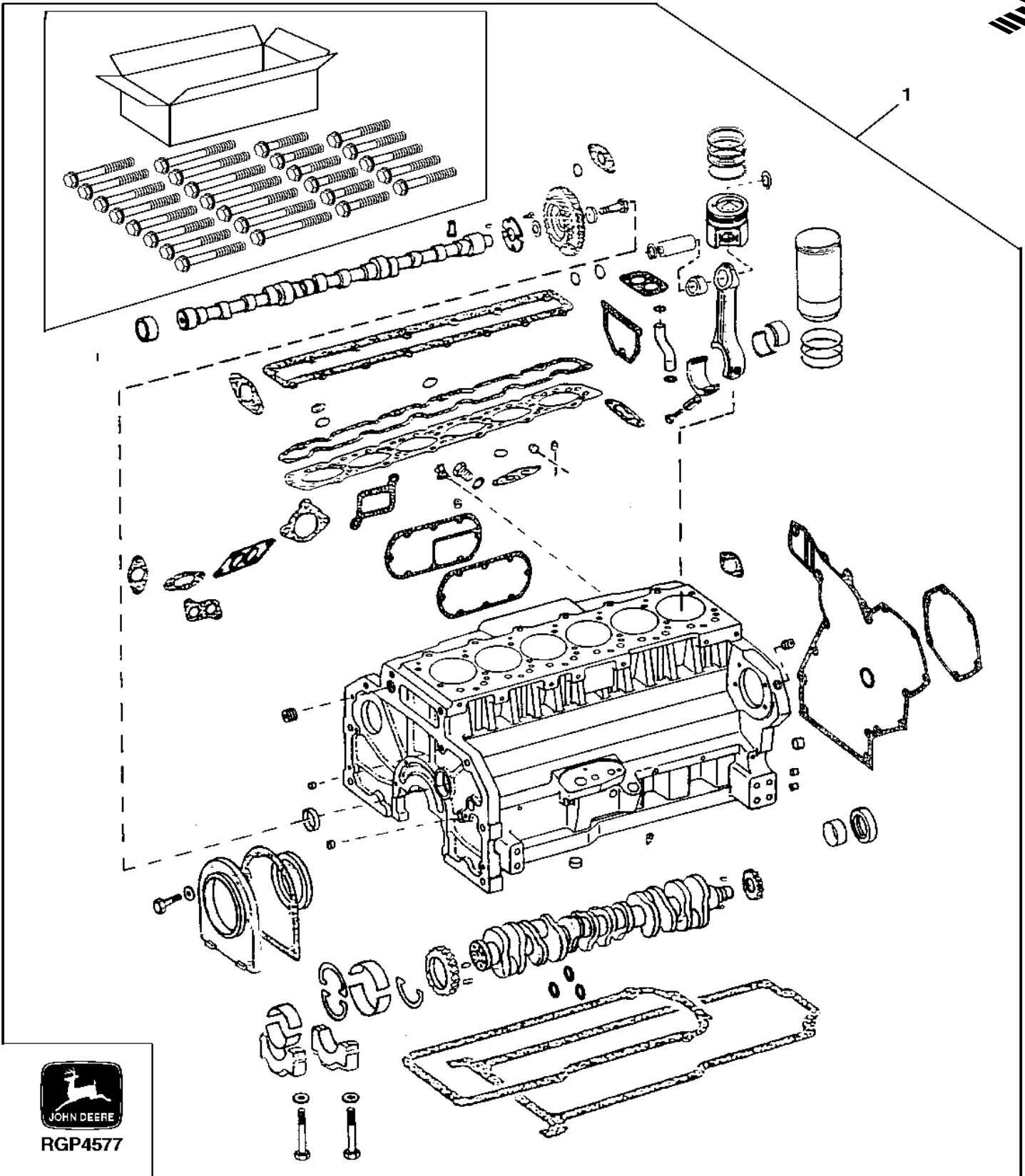
ENGINE

KEY	PART NO.	PART NAME	QTY	ENGINE	REMARKS
				SERIAL NO.	
				8 8 8	
				1 2 3	
				0 0 0	
				0 0 0	
1	R43409	CAP	2	X X X	
2	R114130	STUD	5	X X X	
3	R120864	DIPSTICK TUBE	1	X X X	141.5 MM (5.57")
4	AT13740	DRAIN VALVE	1	X X X	
5	R36599	PLUG	1	X X X	(NOT AS SHOWN)
6	R39741	DRAIN PLUG	1	X X X	
7	U13639	O-RING	1	X X X	
8	15H690	PIPE PLUG	1	X X X	3/4"
9	R42340	BUSHING	2	X X X	
10	R1612R	DOWEL PIN	2	X X X	
11	F1743R	DOWEL PIN	2	X X X	
12	R104592	PIPE PLUG	6	X X X	
13	R43621	ORIFICE	6	X X X	
14	T35390	CAP	1	X X X	
15	R500642	BUSHING	2	X X X	(SUB FOR R62930, THIS APPLICATION)
16	R27149	O-RING	1	X X X	
17	AR61533	PLUG	1	X X X	
18	A4365R	O-RING	1	X X X	
19	AR61589	PLUG	1	X X X	
20	R122364	BOLT	14	X X X	
21	R120953	BEARING CAP	6	X X X	(MAIN)
	R120954	BEARING CAP	1	X X X	(THRUST)
22	R82007	CAP	1	X X X	
23	R87561	BUSHING	4	X X X	
24	R61288	DOWEL PIN	1	X X X	
25	15H562	PIPE PLUG	1	X X X	1"
..	15H686	PIPE PLUG	1	X X X	1", (CYLINDER BLOCK REAR COOLANT OPENING)
..	CYLINDER BLOCK	NA	X X X	(NOT AVAILABLE)
..	15H624	PIPE PLUG	2	X X X	

1F19

ENGINE

ENGINE SHORT BLOCK (WITH HEAD BOLTS) (6081) (8100,8200,8300 TSN 010000-)
MONTEUR DEPOUILLE POUR RECHANGE (AVEC (26) BOULONS DE CULASSE) (6081) (8100,8200,8300 TSN 010000-)
KURZMOTOR (MIT (26) ZYLINDERKOPFSCHRAUBEN) (6081) (8100,8200,8300 TSN 010000-)
MOTORE CORTO (CON (26) VITI DELLA TESTATA) (6081) (8100,8200,8300 TSN 010000-)
MOTOR BASICO (CON (26) PERNOS DE CABEZA) (6081) (8100,8200,8300 TSN 010000-)
KORTMOTOR (MED (26) TOPPLOCKSSKRUVAR) (6081) (8100,8200,8300 TSN 010000-)
RGP4577 -UN-02NOV95



RGP4577

1F20

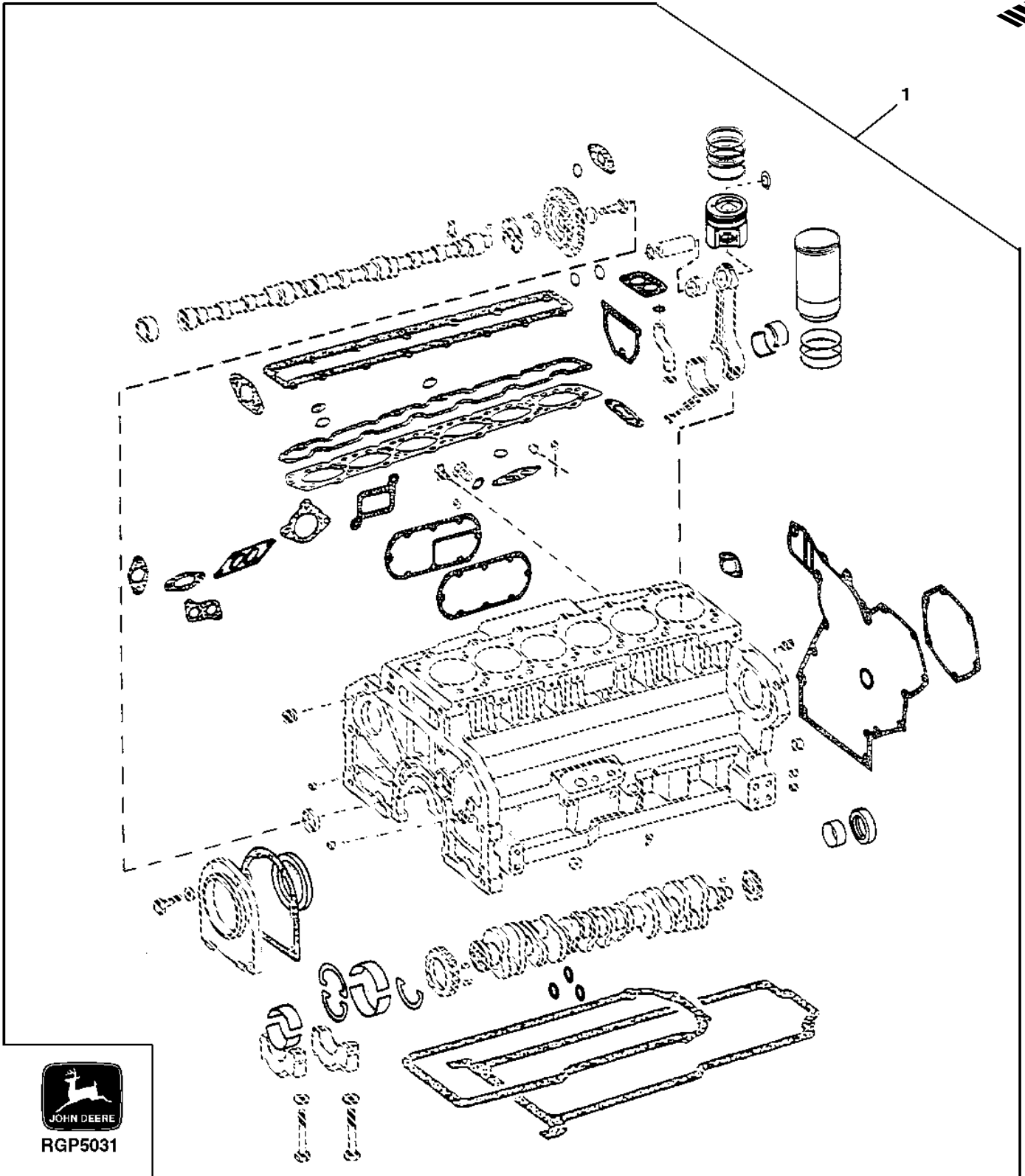
ENGINE

KEY	PART NO.	PART NAME	QTY	ENGINE SERIAL NO.	REMARKS
1	RE65049	SHORT BLOCK ASSEMBLY	1	8 8 8 1 2 3 0 0 0 0 0 0	(MARKED R120032) (ALSO ORDER R125855 AND R120864, APPL)

1F21

ENGINE

ENGINE OVERHAUL KIT (6081) (8100,8200,8300 TSN 010000-)
JEU POUR LA REVISION DU MOTEUR (6081) (8100,8200,8300 TSN 01000 0-)
MOTOR-UEBERHILSATZ (6081) (8100,8200,8300 TSN 010000-)
KIT DI REVISIONE DEL MOTORE (6081) (8100,8200,8300 TSN 010000-)
CONJUNTO DE RECONDICIONAMIENTO DEL MOTOR (6081) (8100,8200,8300)
MOTOROEVERSYNSSATS (6081) (8100,8200,8300 TSN 010000-)
RGP5031 -UN-11MAY98



1F22

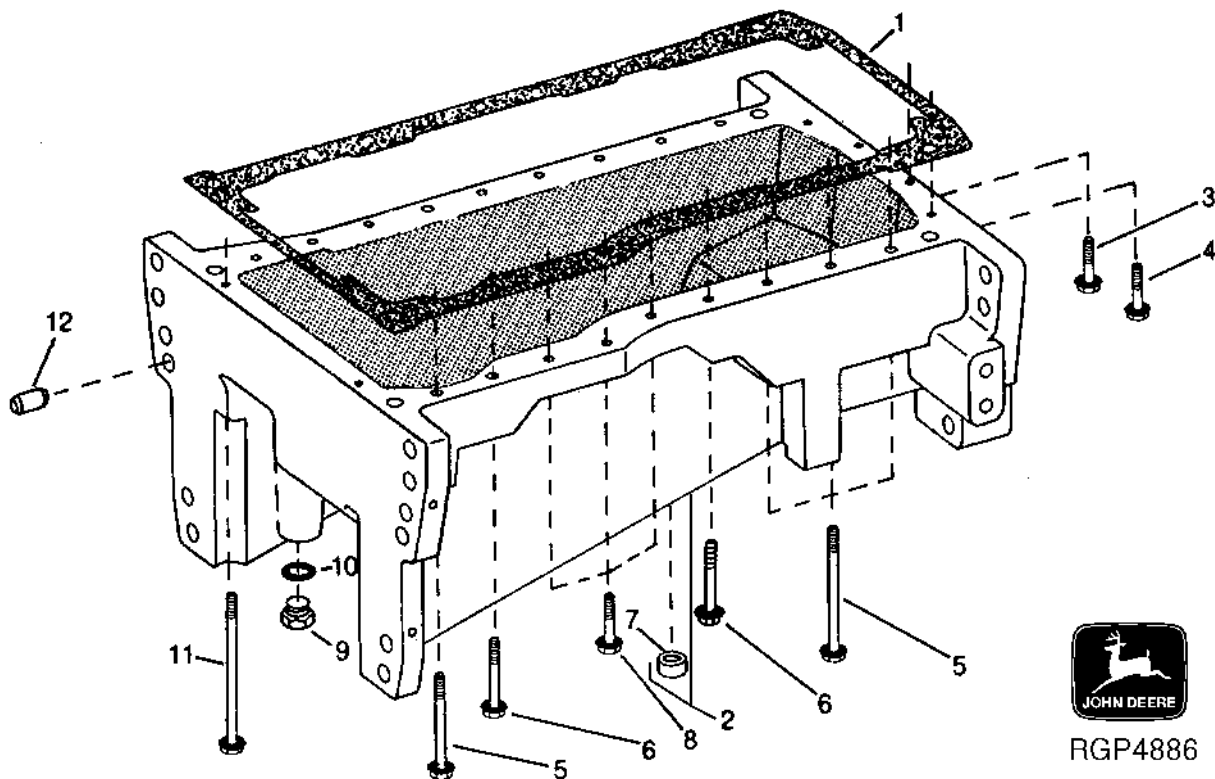
ENGINE

KEY	PART NO.	PART NAME	QTY	ENGINE SERIAL NO.	8 8 8 1 2 3 0 0 0 0 0 0	REMARKS
1	RE67677	ENGINE OVERHAUL KIT	1		X X X	(CONTAINS (6) RE64509 PISTON/LINERS, GASKET KIT, STD BEARINGS, FRONT/REAR SEALS, AND SNAP RINGS) (ALSO ORDER R66452 ROD BOLTS) (HIGH COMPRESSION) (ALSO ORDER R125855)

1F23

ENGINE

OIL PAN (6081) (8100,8200,8300 TSN 010000-)
 CARTER D'HUILE (6081) (8100,8200,8300 TSN 010000-)
 DELWANNE (6081) (8100,8200,8300 TSN 010000-)
 COPPA DELL'OLIO (6081) (8100,8200,8300 TSN 010000-)
 CARTER DEL ACEITE (6081) (8100,8200,8300 TSN 010000-)
 OLJETRAG (6081) (8100,8200,8300 TSN 010000-)
 RGP4886 -UN-13MAY97

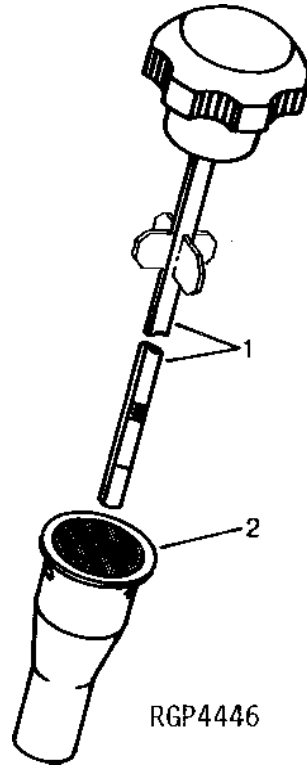


KEY	PART NO.	PART NAME	QTY	ENGINE SERIAL NO.	8 8 8			REMARKS
					1	2	3	
1	R125855	GASKET	1		X	X	X	
2	RE71509	OIL PAN	1	-XXXXXX	X	X	X	(MARKED R136471 OR R107229) (SUB FOR RE50889)
	RE161680	OIL PAN	1	XXXXXX-	X	X	X	
	19M7963	CAP SCREW	2	XXXXXX-	X	X	X	
3	R122474	CAP SCREW	2		X	X	X	.375 X 2.25
4	R121395	CAP SCREW	2		X	X	X	.375 X 1.875
5	R122477	CAP SCREW	8		X	X	X	.500 X 6.000
6	R122476	CAP SCREW	4		X	X	X	.500 X 4.000
7	ET14521	BUSHING	4		X	X	X	
8	R122475	CAP SCREW	6		X	X	X	.500 X 2.500
9	R27175	DRAIN PLUG	1		X	X	X	
10	F3171R	O-RING	1		X	X	X	
11	R126912	CAP SCREW	2		X	X	X	.375 X 7.750
12	DOWEL PIN	6		X	X	X	(SUB RE71509)

1F24

ENGINE

ENGINE OIL DIPSTICK AND TUBE (6081) (8100,8200,8300 TSN 010000-)
 JAUGE A HUILE MOTEUR (6081) (8100,8200,8300 TSN 010000-)
 MOTORDELMESSTAB (6081) (8100,8200,8300 TSN 010000-)
 ASTINA DE LIVELLO OLIO MOTORE (6081) (8100,8200,8300 TSN 010000-)
 ASPILLA PARA MEDIR EL NIVEL DE ACEITE DEL MOTORE (6081) (8100, 8200,8300 TSN 010000-)
 MOTORNS OLJETICKA (6081) (8100,8200,8300 TSN 010000-)
 RGP4446 -UN-03MAR95

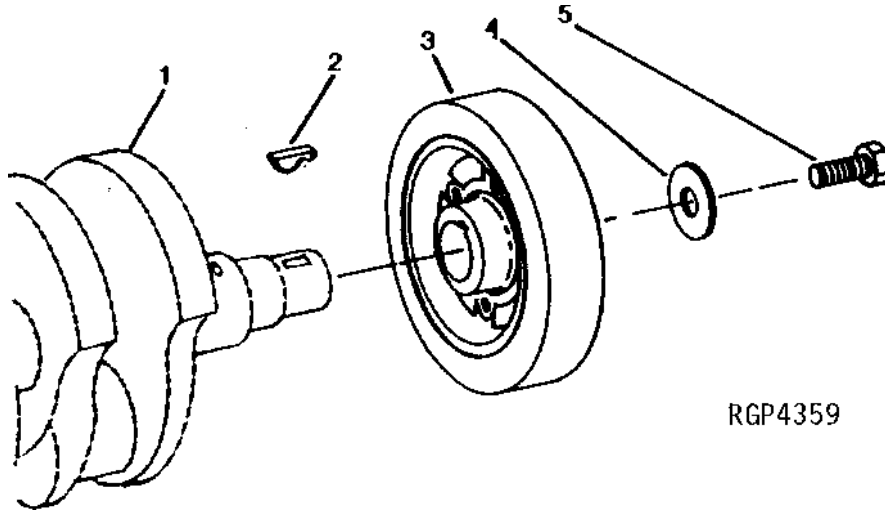


KEY	PART NO.	PART NAME	QTY	ENGINE SERIAL NO.	8 8 8 1 2 3 0 0 0 0 0 0	REMARKS
1	RE500209	DIPSTICK	1		X X X	(6081HRW06,07,08) (SUB FOR RE56493)
2	R120801	DIPSTICK TUBE	1		X	(6081HRW06) 107.5 MM (4.23")
	R121764	DIPSTICK TUBE	1		X	(6081HRW07) 118.5 MM (4.66")
	R121765	DIPSTICK TUBE	1		X	(6081HRW08) 126.0 MM (4.96")

1F25

ENGINE

CRANKSHAFT PULLEY AND DAMPER (6081) (8100,8200,8300 TSN 010000-)
 POULIE DE VILEBREQUIN (6081) (8100,8200,8300 TSN 010000-)
 KURBELWELLENRIEMENSCHIEBE (6081) (8100,8200,8300 TSN 010000-)
 PULLEGIA DELL'ALBERO A GOMITI (6081) (8100,8200,8300 TSN 010000-)
 POLEA DEL CIGUENAL (6081) (8100,8200,8300 TSN 010000-)
 VEVAXELREMSKIVA (6081) (8100,8200,8300 TSN 010000-)
 RGP4359 -UN-01JAN94



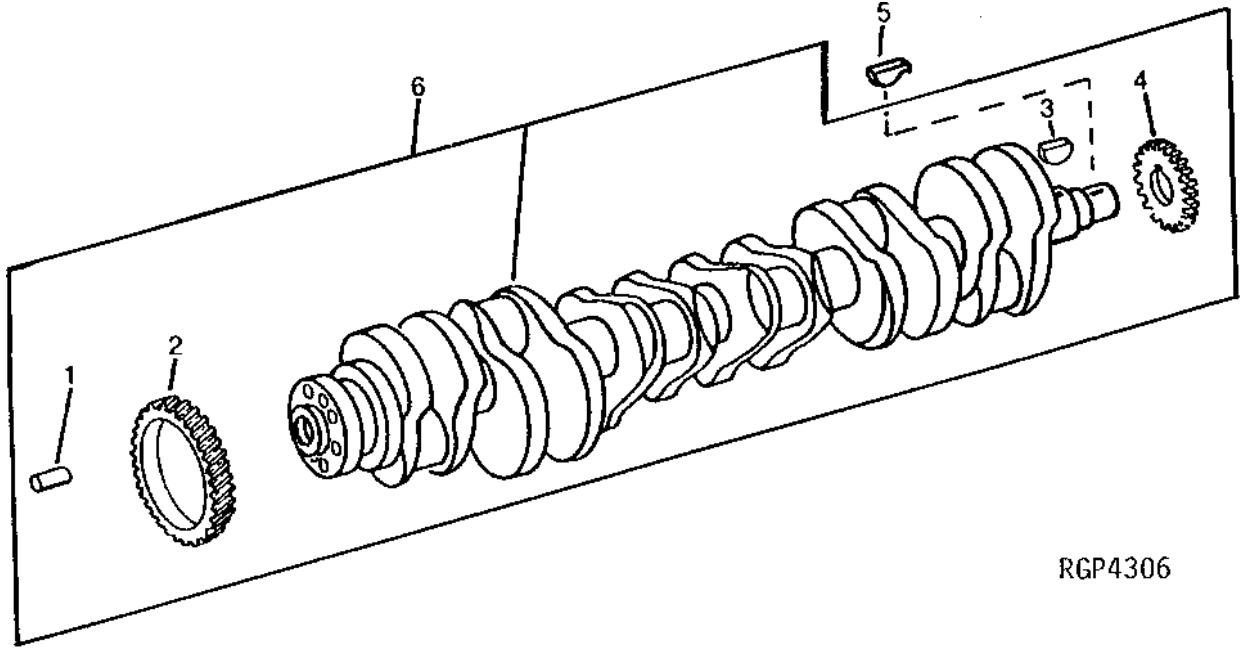
RGP4359

KEY	PART NO.	PART NAME	QTY	ENGINE SERIAL NO.	8 8 8 1 2 3 0 0 0 0 0 0	REMARKS
1	CRANKSHAFT	1		X X X	
2	R116311	KEY	1		X X X	
3	RE57603	TORSIONAL DAMPENER	1	-016632	X X X	(SUB RE24975, APPL)
	RE24975	TORSIONAL DAMPENER	1	016633-	X X X	
4	R26333	WASHER	1		X X X	
5	R79846	CAP SCREW	1		X X X	

1G1

ENGINE

CRANKSHAFT (6081) (8100,8200,8300 TSN 010000-)
 VILEBREQUIN (6081) (8100,8200,8300 TSN 010000-)
 KURBELWELLE (6081) (8100,8200,8300 TSN 010000-)
 ALBERO A COLLI (6081) (8100,8200,8300 TSN 010000-)
 CIGUENAL (6081) (8100,8200,8300 TSN 010000-)
 VEVAXEL (6081) (8100,8200,8300 TSN 010000-)
 RGP4306 -UN-01JAN94



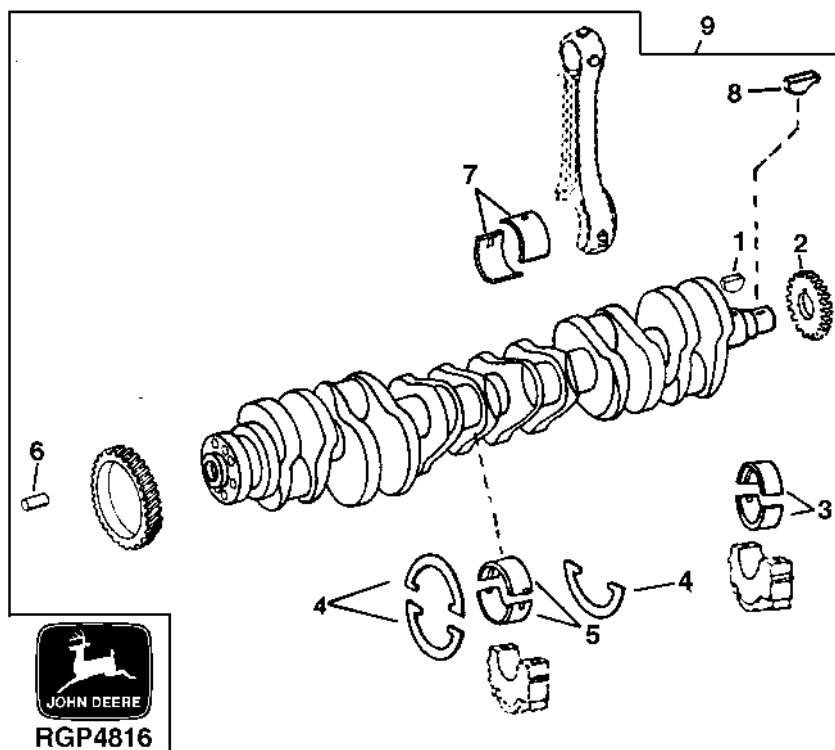
RGP4306

KEY	PART NO.	PART NAME	QTY	ENGINE SERIAL NO.	8	8	8	REMARKS
					1	2	3	
1	R41934	DOWEL PIN	1		X	X	X	
2	R63326	GEAR	1		X	X	X	(SUB RE55522, THIS APPLICATION)
3	R120752	KEY	1		X	X	X	1/8" X 0.625"
4	R104587	GEAR	1		X	X	X	
5	R116311	KEY	1		X	X	X	
6	RE55522	CRANKSHAFT	1		X	X	X	(MARKED RE55522)

1G2

ENGINE

UNDERSIZE MAIN BEARING CRANKSHAFT AND BEARING KIT (6081) (TSN 0100-)
 JEU DE PALIER POUR VILEBREQUIN SOUS-DIMENSIONNE (6081)
 HAUPTLAGERSATZ FUER UNTERGROESSE KURBELWELLE (6081)
 KIT CUSCINETTO DI BANCO PER ALBERO A GOMITI MINORATO (6081)
 JUEGO DE COJINETES DE BANCADA DE SUBTAMANO (6081)
 SATS MED RAMLAGER FOER UNDERDIMENSIONERAD VEVAXEL (6081)
 RGP4816 -UN-21OCT96

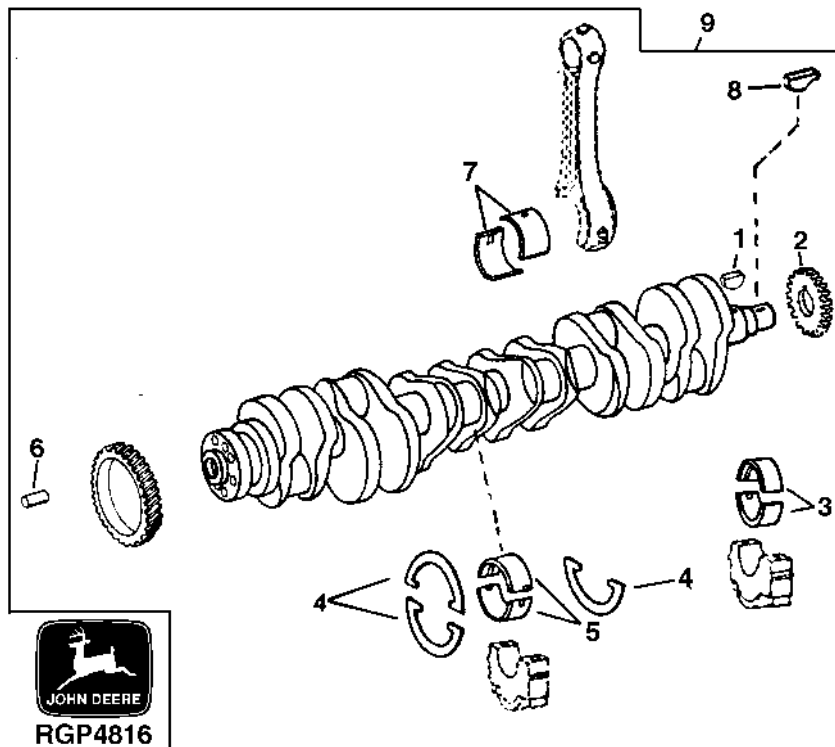


KEY	PART NO.	PART NAME	QTY	ENGINE SERIAL NO.	8	8	8	REMARKS
					1	2	3	
1	R120752	KEY	1		X	X	X	1/8" X 0.625"
2	R104587	GEAR	1		X	X	X	
3	RE57172	BEARING	6		X	X	X	.292 MM (.011") US (PKG R121342 AND, R121346)
4	RE61851	THRUST WASHER	1		X	X	X	0.18MM (.007") OS FLANGE (PKG (3) R124842)
5	RE57177	THRUST BEARING	1		X	X	X	.292 MM (.011") US (PKG R121350 AND, R121354)
6	R41934	DOWEL PIN	1		X	X	X	
7	R116081	BEARING	6		X	X	X	STD
8	R116311	KEY	1		X	X	X	
9	RE61268	CRANKSHAFT	1		X	X	X	(MARKED R122654 OR RE58781)

1G3

ENGINE

UNDERSIZE CONNECTING ROD JOURNAL CRANKSHAFT AND BEARING KIT (TSN 010000-)
 JEU DE TOURILLON DE BIELLE POUR VILEBREQUIN SOUS-DIMENSIONNE
 PLEUELSTANGENZAPFENSATZ FUER UNTERGROESSE KURBELWELLE
 KIT PERNI DI BANCO DELLE BIELLE PER ALBERO A GOMITI MINORATO
 JUEGO DE MUNONES DE BIELA DE SUBTAMANO
 SATS MED VEVSTAKSLAGERGAANG FOER UNDERDIMENSIONERAD VEVAXEL
 RGP4816 -UN-21OCT96

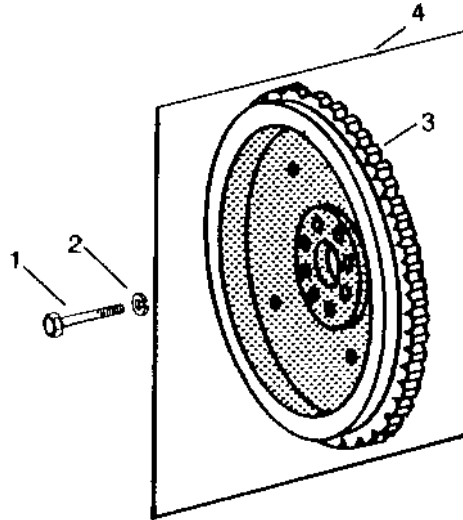


KEY	PART NO.	PART NAME	QTY	ENGINE SERIAL NO.	8	8	8	REMARKS
					1	2	3	
1	R120752	KEY	1		X	X	X	
2	R104587	GEAR	1		X	X	X	
3	RE57170	BEARING	6		X	X	X	STD
4	RE61253	THRUST WASHER	1		X	X	X	STD (PKG R116084 AND, R116085)
5	RE57175	THRUST BEARING	1		X	X	X	STD (PKG R116085)
6	R41934	DOWEL PIN	1		X	X	X	
7	RE57167	BEARING	6		X	X	X	.292 MM (.011") US (PKG (2) R121338)
8	R116311	KEY	1		X	X	X	
9	RE61267	CRANKSHAFT	1		X	X	X	.292 MM (.011") US, (MARKED RE58780 OR R122653)

1G4

ENGINE

FLYWHEEL (6081) (8100,8200,8300 TSN 010000-))
 VOLANT (6081) (8100,8200,8300 TSN 010000-))
 SCHWUNGRAD (6081) (8100,8200,8300 TSN 010000-))
 VOLANO (6081) (8100,8200,8300 TSN 010000-))
 VOLANTE (6081) (8100,8200,8300 TSN 010000-))
 SVANGHJUL (6081) (8100,8200,8300 TSN 010000-))
 RGP3073 -UN-01JAN94



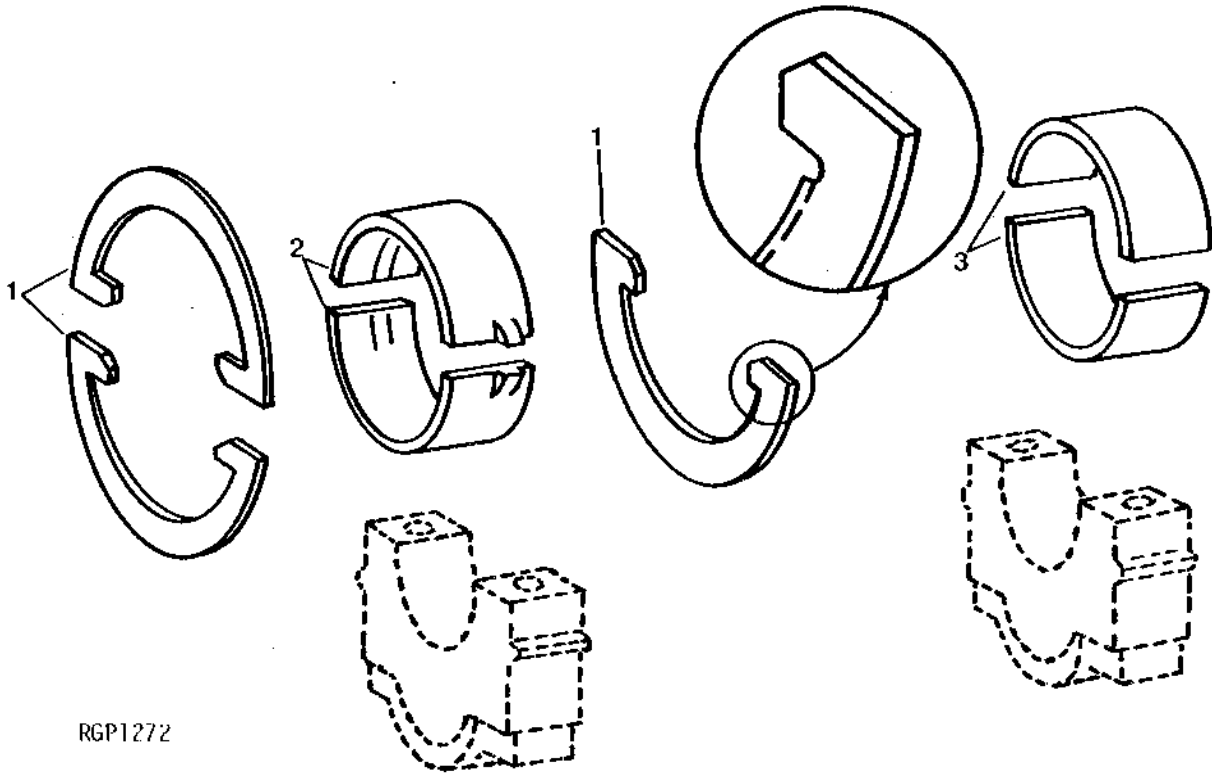
RGP3073

KEY	PART NO.	PART NAME	QTY	ENGINE SERIAL NO.	8	8	8	REMARKS
					1	2	3	
					0	0	0	
					0	0	0	
1	19H3579	CAP SCREW	6		X	X	X	(SUB FOR R41049 OR R52634 THIS APPLICATION)
2	T23891	WASHER	6		X	X	X	13.487 X 20.625 X 1.524 MM (17/32" X 13/16" X 0.060")
3	R28811	RING GEAR	1		X	X	X	
4	RE44632	FLYWHEEL	1		X	X	X	(MARKED R107339)

1G5

ENGINE

MAIN AND MAIN THRUST BEARINGS (6081) (8100,8200,8300 TSN 010000-)
 PALIERS PRINCIPAUX (6081) (8100,8200,8300 TSN 010000-)
 HAUPTLAGER (6081) (8100,8200,8300 TSN 010000-)
 CUSCINETTI PRINCIPALI (6081) (8100,8200,8300 TSN 010000-)
 COJINETES DE BANCADA (6081) (8100,8200,8300 TSN 010000-)
 RAMLAGER (6081) (8100,8200,8300 TSN 010000-)
 RGP1272 -UN-01JAN94



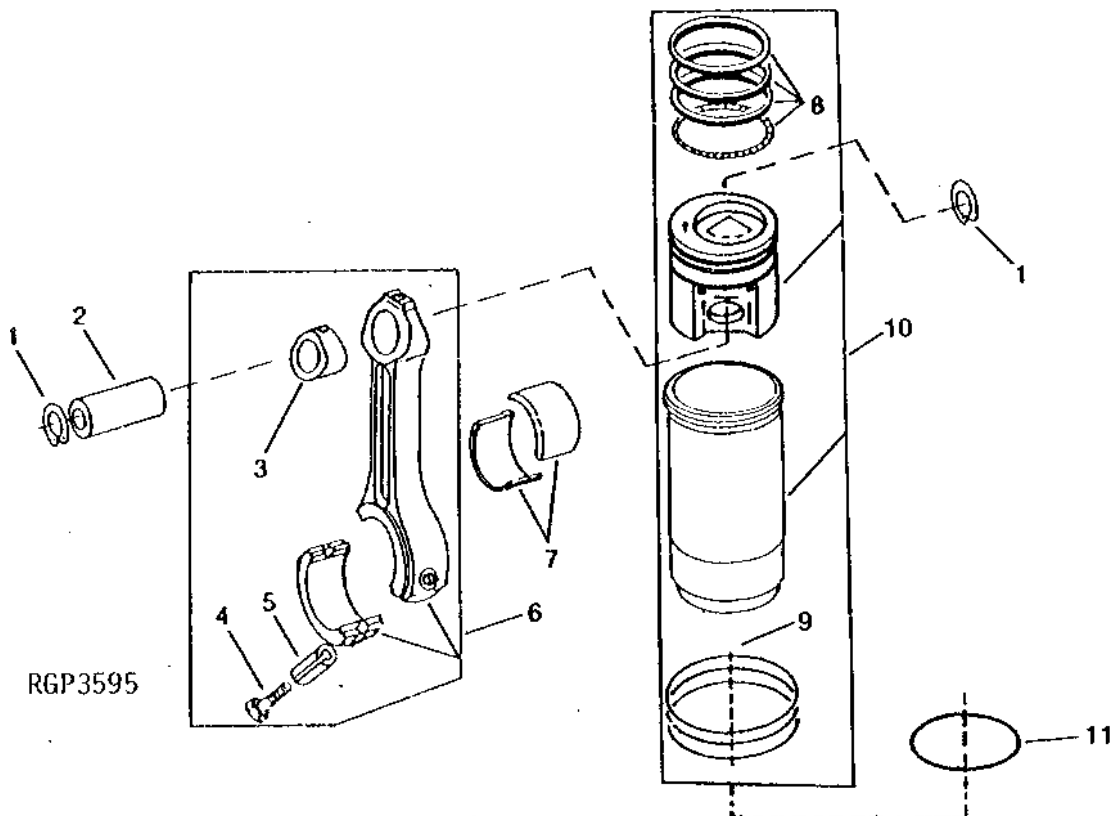
RGP1272

KEY	PART NO.	PART NAME	QTY	ENGINE SERIAL NO.	8 8 8 1 2 3 0 0 0 0 0 0	REMARKS
1	RE61253	THRUST WASHER	1		X X X	STD (PKG (3) R124381)
2	RE57175	THRUST BEARING	1		X X X	STD (PKG R116084 AND R116085)
3	RE57170	BEARING	AR		X X X	STD (PKG R116082 AND R116083)

1G6

ENGINE

PISTON/CONNECTING RODS/CYLINDER LINER (6081) (8100,8200,8300 TSN 010000-)
 PISTON/BIELLE/CHEMISE DE CYLINDRE(6081)(8100,8200,8300 TSN 0100 00-)
 KOLBEIN/PLEUELSTANGE/ZYLINDERLAUFBUCHSE(6081)(8100,8200,8300 TSN 010000-)
 PISTONE/BIELLA/CAMACIE (6081) (8100,8200,8300 TSN 010000-)
 PISTON/BIELA/CAMISA DEL CILANDRO(6081)(8100,8200,8300 TSN 010000-)
 KOLV/KOLVSTAKE/CYLINDERFODER (6081) (8100,8200,8300 TSN 010000-)
 RGP3595 -UN-01JAN94

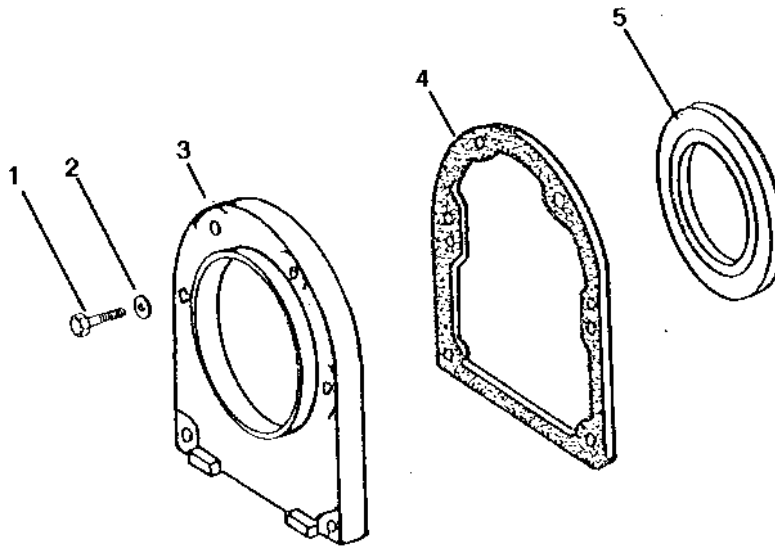


KEY	PART NO.	PART NAME	QTY	ENGINE SERIAL NO.	REMARKS
				8 8 8	
				1 2 3	
				0 0 0	
				0 0 0	
1	E1343FN	SNAP RING	12	X X X	
2	R57771	PISTON PIN	6	X X X	
3	R74008	BUSHING	6	X X X	
4	R66452	CAP SCREW	12	X X X	
5	R53292	SLEEVE	12	X X X	
6	RE53154	CONNECTING ROD	6	X X X	(MARKED R116340)
7	R116081	BEARING	AR	X X X	STD PKG (2) (SUB FOR RE57165)
8	RE57188	PISTON RING	6	X X X	(USE WITH RE60328 OR RE62640)
9	AR98850	KIT	6	X X X	
10	RE64509	KIT	6	X X X	(MARKED RE53000, RE64170 OR RE65289)
11	R93948	SHIM	2	X X X	TK = 0.05MM (.002") (MAX.)

1G7

ENGINE

CRANKSHAFT OIL SEAL AND HOUSING (6081) (8100,8200,8300 TSN 010000-)
 JOINT A LEVRE ET CARTER DE VILEBREQUIN (6081) (8100,8200,8300 TSN 010000-)
 KURBELWELLENDICHTRING UND GEHAEUSE (6081) (8100,8200,8300 TSN 010000-)
 ANELLO DI TENUTA E CARCASSA DELL'ABERO A GOMITI (6081) (8100,8200,8300 TSN 010000-)
 RETEN Y CARACASA DEL ACEITE CIGUENAL (6081) (8100,8200,8300 TSN 010000-)
 VEVAXELNS TAETNINGSRING OCH HUS (6081) (8100,8200,8300 TSN 010000-)
 RGP2382 -UN-01JAN94



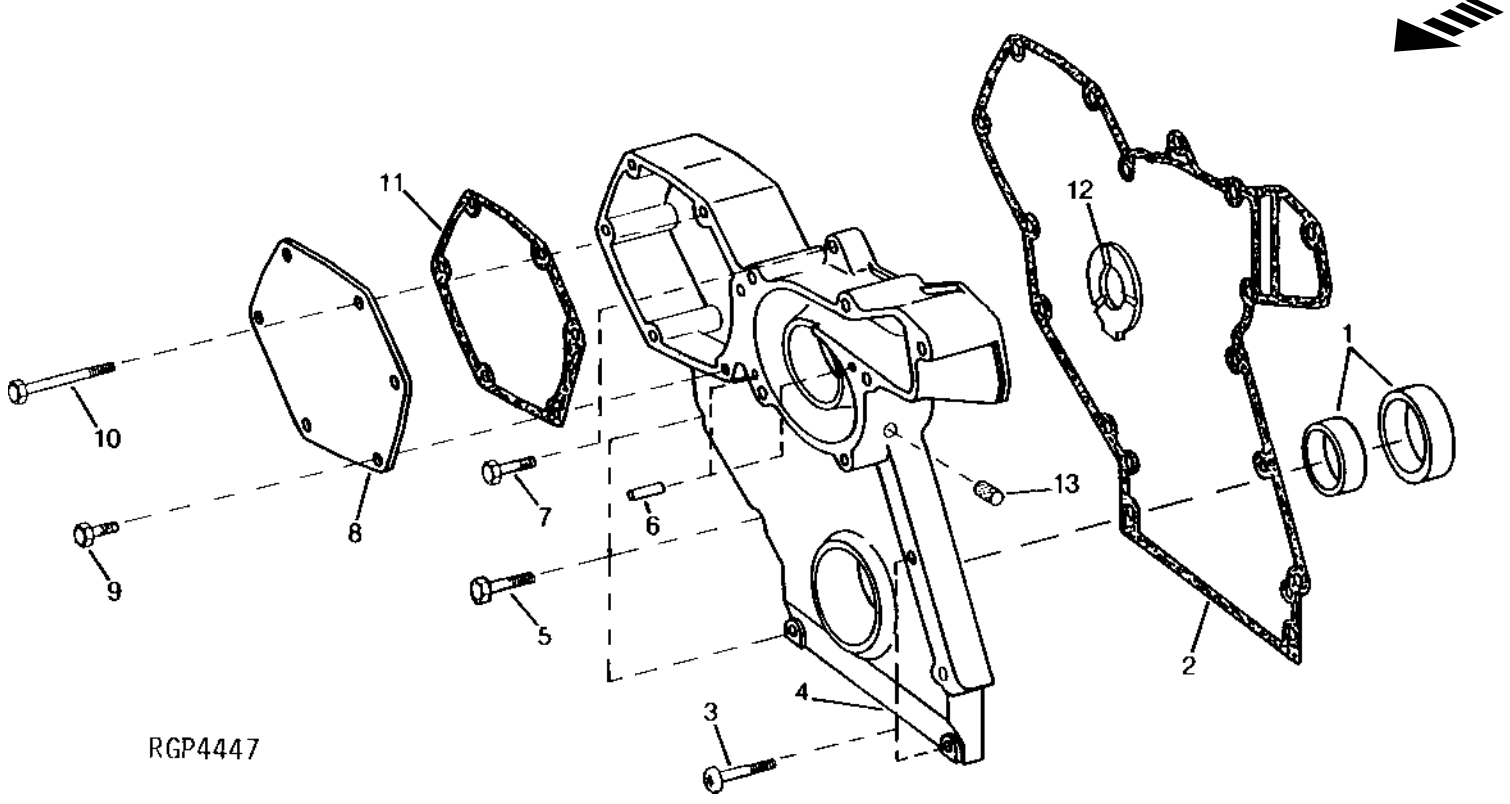
RGP2382

KEY	PART NO.	PART NAME	QTY	ENGINE SERIAL NO.			REMARKS
				8	8	8	
1	R47074	CAP SCREW	6	X	X	X	7.925 X 28.448 MM (5/16" X 1.120")
2	T27860	WASHER	6	X	X	X	11/32" X 11/16" X 0.065"
3	R125027	HOUSING	1	X	X	X	
4	R26058	GASKET	1	X	X	X	
5	RE22764	SEAL	1	X	X	X	

1G8

ENGINE

TIMING GEAR COVER AND FRONT OIL SEAL (6081) (8100,8200,8300 TSN 010000-)
 OUVERCLE DE DISTRIBUTION (6081) (8100,8200,8300 TSN 010000-)
 STEUERGEHAEUSE (6081) (8100,8200,8300 TSN 010000-)
 COPERCHIO DISTRIBUZIONE (6081) (8100,8200,8300 TSN 010000-)
 TAPA DE LA DISTRIBUCION (6081) (8100,8200,8300 TSN 010000-)
 TIDHJULSKAPA (6081) (8100, 8200, 8300 TSN 010000-)
 RGP4447 -UN-28FEB95



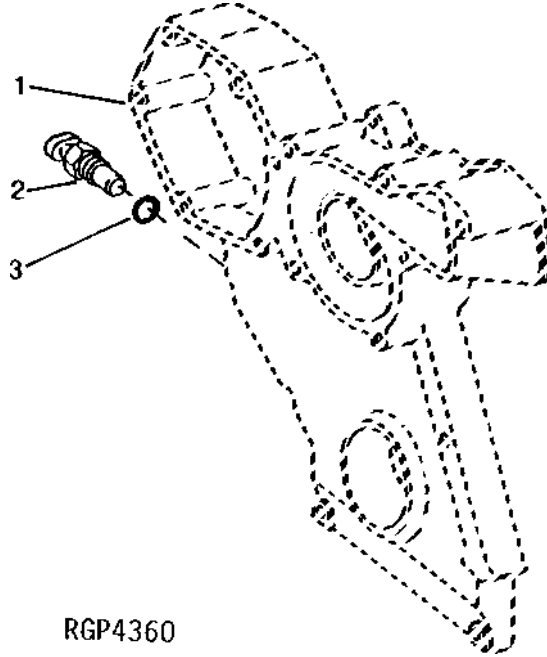
RGP4447

KEY	PART NO.	PART NAME	QTY	ENGINE SERIAL NO.			REMARKS
				8	8	8	
1	AR49025	SEAL	1	X	X	X	
2	R119384	GASKET	1	X	X	X	
3	R115129	CAP SCREW	3	X	X	X	
4	R119381	COVER	1	X	X	X	
5	R104859	CAP SCREW	3	X	X	X	
6	R11086	DOWEL PIN	2	X	X	X	
7	19H3693	CAP SCREW	1	X	X	X	3/8" X 1-1/4"
8	R50393	COVER	1	X	X	X	
9	R112268	CAP SCREW	1	X	X	X	
10	R104861	CAP SCREW	5	X	X	X	
11	R50390	GASKET	1	X	X	X	
12	R104656	THRUST WASHER	1	X	X	X	
13	R98527	FILTER	1	X	X	X	

1G9

ENGINE

MAGNETIC PICK-UP (6081) (8100,8200,8300 TSN 010000-)
 OUTIL AIMANTE A MANCHE (6081)(8100,8200,8300 TSN 010000-)
 MAGNETISCHER MESSWERTGEBER (6081) (8100,8200,8300 TSN 010000-)
 CALAMITA RACCATTAPEZZI (6081) (8100,8200,8300 TSN 010000-)
 CAPTADOR MAGNETICO (6081) (8100,8200,8300 TSN 010000-)
 MAGNETISK GIVARE (6081) (8100,8200,8300 TSN 010000-)
 RGP4360 -UN-01JAN94



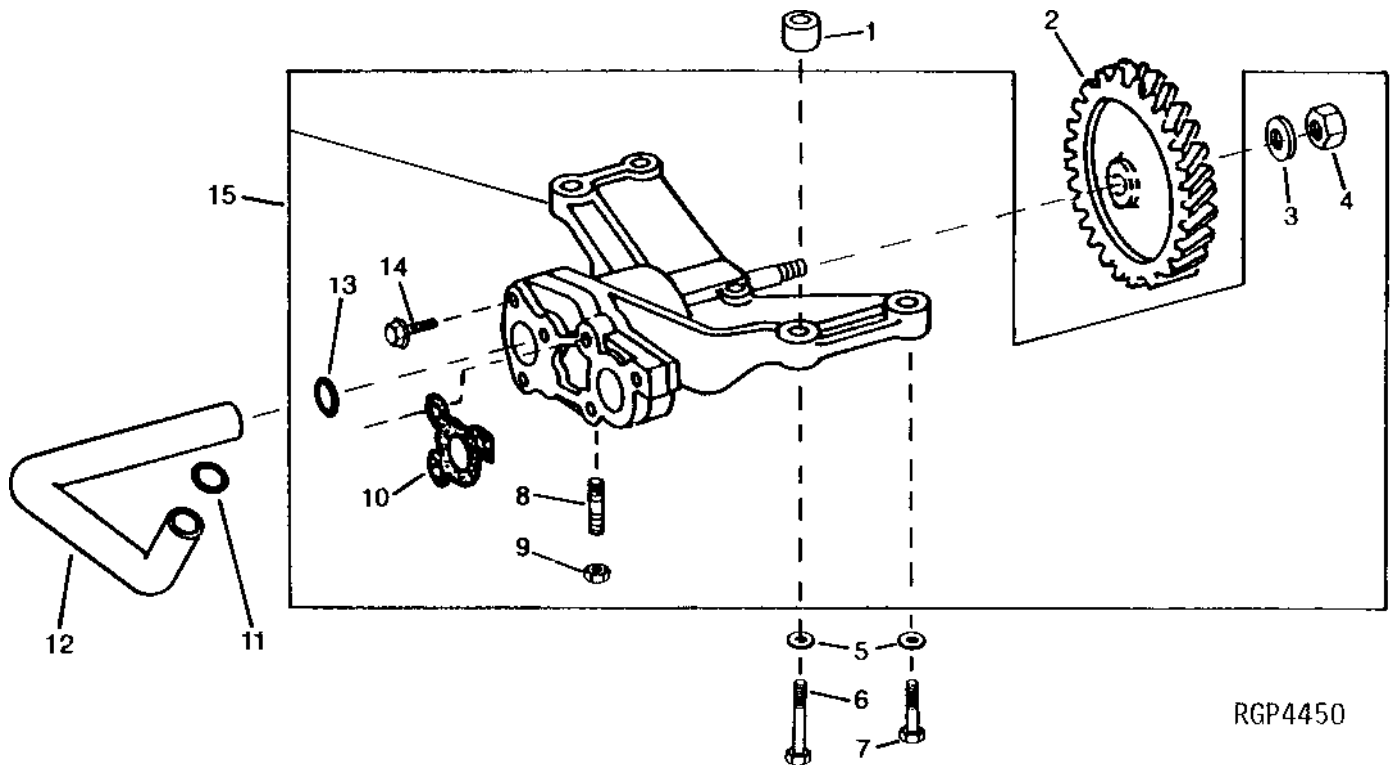
RGP4360

KEY	PART NO.	PART NAME	QTY	ENGINE SERIAL NO.	REMARKS
				8 8 8	
				1 2 3	
				0 0 0	
				0 0 0	
1	COVER	1	X X X	
2	RE71121	SENSOR	1	X X X	(SUB FOR RE43511)
3	51M7044	O-RING	1	X X X	17.300 X 2.200 MM

1G10

ENGINE

ENGINE OIL PUMP (6081) (8100,8200,8300 TSN 010000-)
POMPE A HUILE (6081) (8100,8200,8300 TSN 010000-)
OELPUMPE (6081) (8100,8200,8300 TSN 010000-)
POMPA OLIO (6081) (8100,8200,8300 TSN 010000-)
BOMBA DE ACEITE (6081) (8100,8200,8300 TSN 010000-)
OLJEPUMP (6081) (8100,8200,8300 TSN 010000-)
RGP4450 -UN-03MAR95



RGP4450

1G11

ENGINE

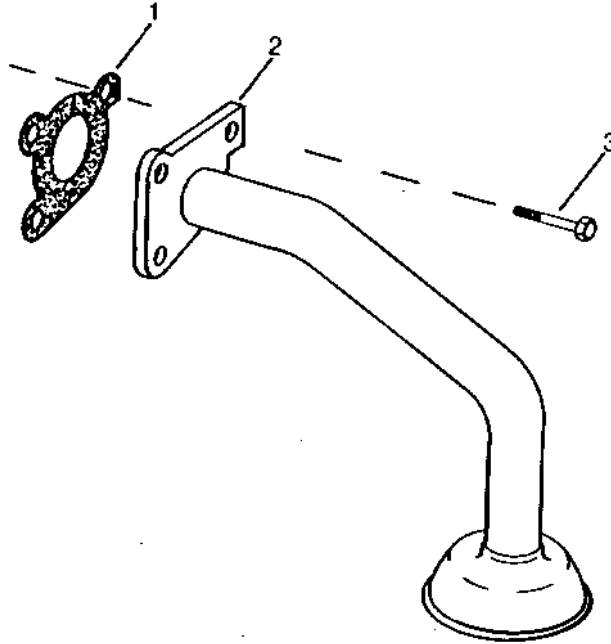
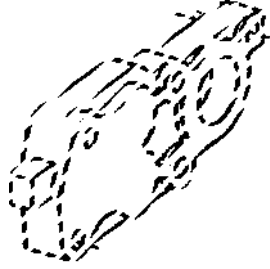
KEY	PART NO.	PART NAME	QTY	ENGINE			REMARKS	
				SERIAL NO.	8	8		8
1	R500642	BUSHING	2		X	X	X	(SUB FOR R62930, THIS APPLICATION)
2	R62938	GEAR	1		X	X	X	
3	T21242	WASHER	1		X	X	X	
4	14H826	NUT	1		X	X	X	1/2"
5	R57696	WASHER	4		X	X	X	
6	19H2549	CAP SCREW	2		X	X	X	3/8" X 1-7/8"
7	19H3219	CAP SCREW	2		X	X	X	3/8" X 1-3/8"
8	22H1040	SET SCREW	1		X	X	X	5/16" X 1-1/4"
9	14H785	NUT	1		X	X	X	5/16"
10	R100569	GASKET	1		X	X	X	
11	R71732	O-RING	1		X	X	X	
12	R116718	OIL TUBE	1		X	X	X	
13	R71732	O-RING	1		X	X	X	
14	R104628	CAP SCREW	5					
	R104628	CAP SCREW	3		X	X	X	(INTAKE COVER TO HOUSING)
15	RE60622	OIL PUMP	1		X	X	X	(MARKED R124328)

1G12

ENGINE

ENGINE OIL PUMP INTAKE (6081) (8100,8200,8300 TSN 010000-)
 ADMISSION DE LA POMPE A HUILE MOTEUR (6081) (8100,8200,8300 TSN 010000-)
 MOTOROELPUMPENEINLASS (6081) (8100,8200,8300 TSN 010000-)
 ASPIRAZIONE DELLA POMPA DELL'OLIO DEL MOTORE (6081) (8100,8200 TSN 010000-)
 ADMISION DE LA BOMBA DE ACEITE DEL MOTOR (6081) (8100,8200,8300 TSN 010000-)
 MOTOROLJEPIMP, INSUGNING (6081) (8100,8200,8300 TSN 010000-)

RGP3629 -UN-01JAN94



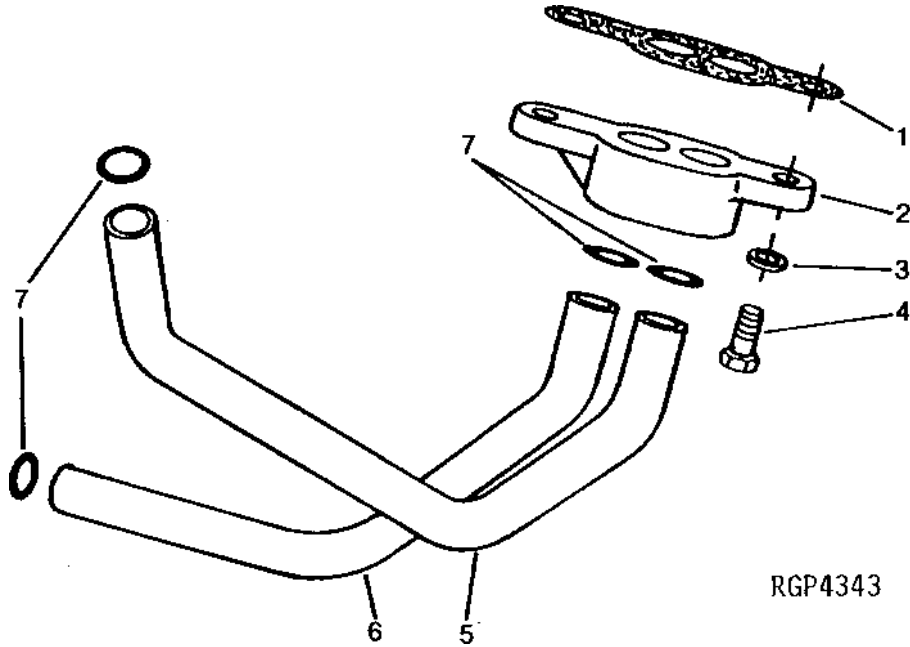
RGP3629

KEY	PART NO.	PART NAME	QTY	ENGINE SERIAL NO.	REMARKS
				8 8 8	
				1 2 3	
				0 0 0	
				0 0 0	
1	R100569	GASKET	1	X X X	
2	RE60546	OIL PUMP INTAKE	1	X X X	
3	R104628	CAP SCREW	3	X X X	

1G13

ENGINE

ENGINE OIL COOLER BYPASS TUBES AND ADAPTER (6081) (8100,8200,8300 TSN 010000-)
 BY-PASS DE REFROIDISSEUR (6081) (8100,8200,8300 TSN 010000-)
 OELKUEHLER-UMGEHUNGSVENTL (6081) (8100,8200,8300 TSN 010000-)
 VALVOLA BY-PASS PER REFFREDDATORE OLIO (6081) (8100,8200,8300 TSN 010000-)
 VALVULA DE DERIVACION DEL RADIADOR (6081) (8100,8200,8300 TSN 010000-)
 OLJEKYLARENS FORBISTROMNINGSVENTIL (6081) (8100,8200,8300 TSN 010000-)
 RGP4343 -UN-01JAN94



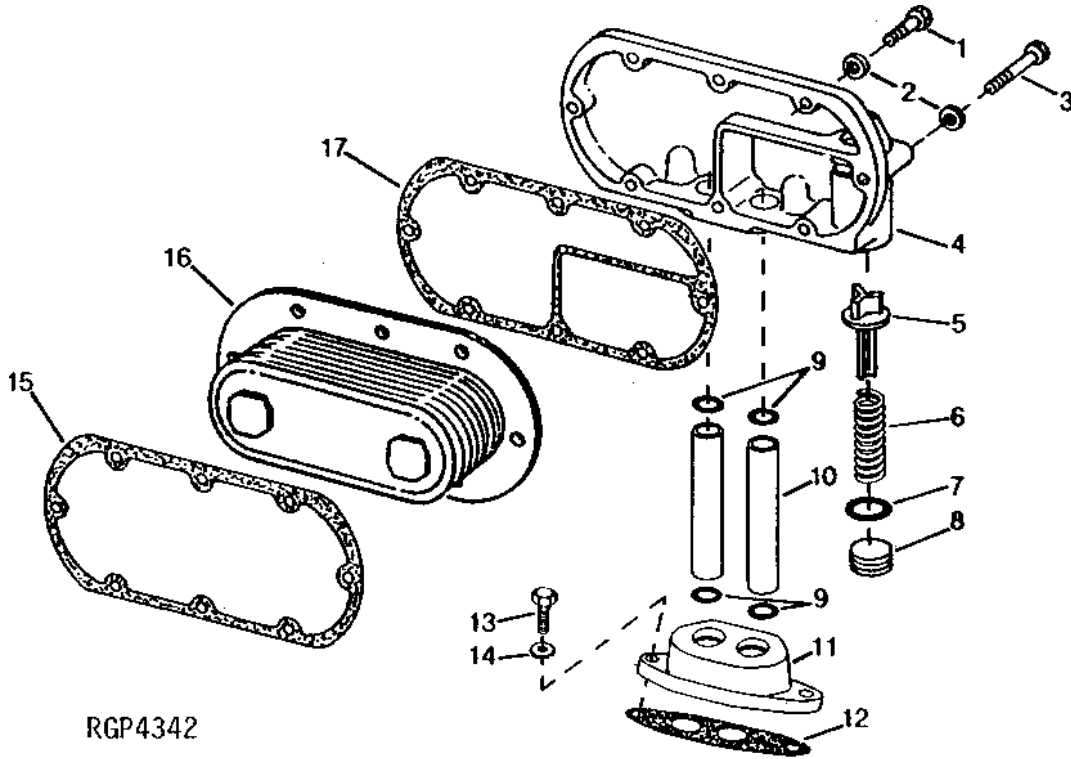
RGP4343

KEY	PART NO.	PART NAME	QTY	ENGINE SERIAL NO.				REMARKS
					8	8	8	
1	R109625	GASKET	1		X	X	X	
2	R116233	ADAPTER	1		X	X	X	
3	24M7096	WASHER	2		X	X	X	10.500 X 18 X 1.600 MM
4	R40236	CAP SCREW	2		X	X	X	
5	R126337	OIL TUBE	1		X	X	X	
6	R116718	OIL TUBE	1		X	X	X	
7	R71732	O-RING	4		X	X	X	

1G14

ENGINE

ENGINE OIL COOLER (8100, 8200, 8300 TSN 010000-)
 REFROIDISSEUR D'HUILE MOTEUR (8400)
 MOTOR-OELKUELER (8400)
 RAFFREDDATORE OLIO MOTORE (8400)
 REFRIGERADOR DEL ACEITE DEL MOTOR (8400)
 MOTOROLJEKYLARE (8400)
 RGP4342 -UN-01JAN94



RGP4342

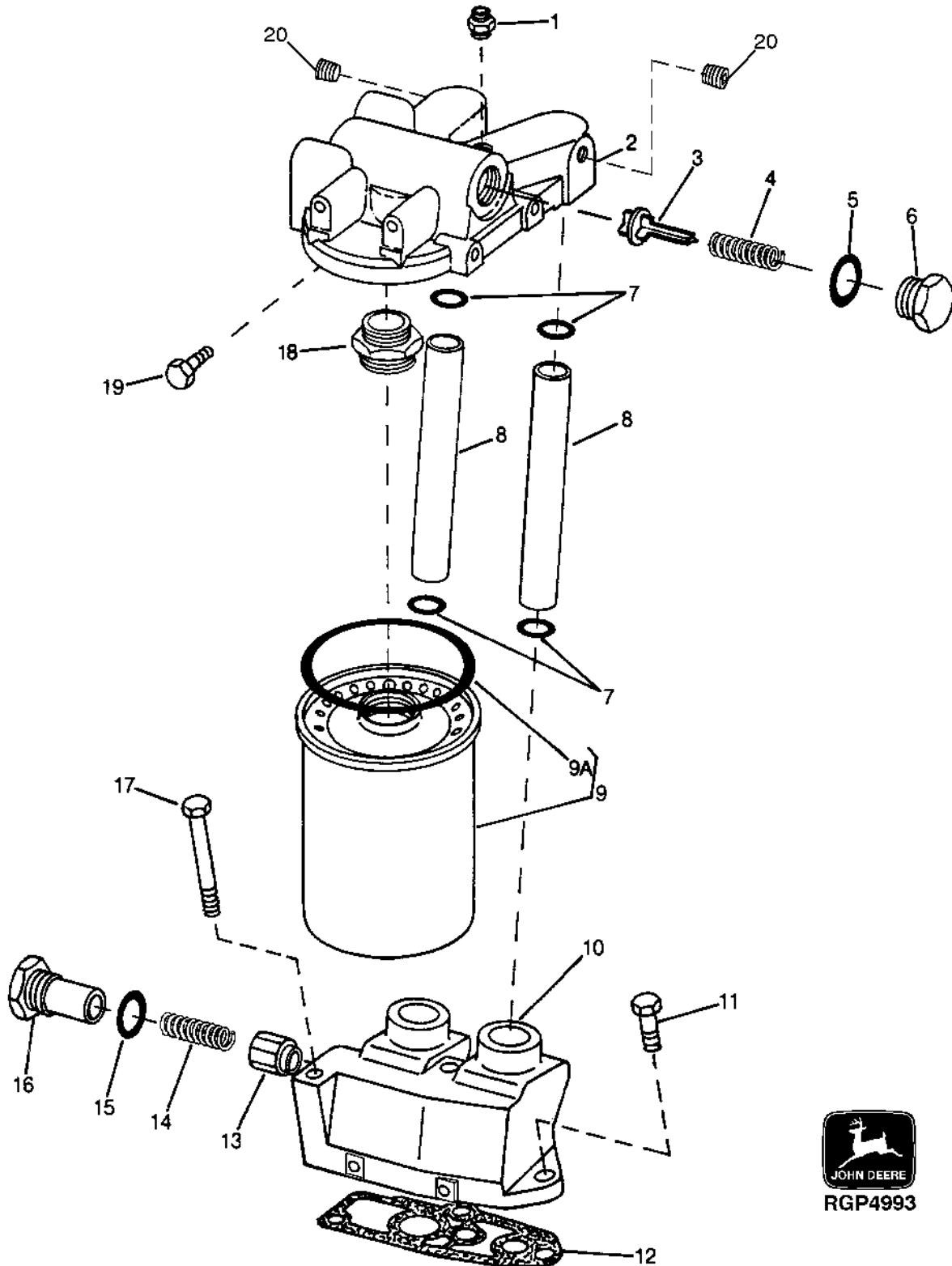
KEY	PART NO.	PART NAME	QTY	ENGINE SERIAL NO.	REMARKS
				8 8 8	
				1 2 3	
				0 0 0	
				0 0 0	
1	19H2661	CAP SCREW	5	X X X	5/16" X 1-3/8"
2	24M7055	WASHER	8	X X X	8.400 X 16 X 1.600 MM
3	19H1949	CAP SCREW	3	X X X	5/16" X 2-1/2"
4	R133135	COVER	1	X X X	(SUB FOR R116237)
5	R108867	VALVE	1	X X X	
6	R98064	SPRING	1	X X X	
7	U17409	O-RING	1	X X X	
8	R121163	FITTING PLUG	1	X X X	
9	R47153	O-RING	4	X X X	
10	R51053	OIL TUBE	2	X X X	(SUB FOR R124208)
11	R127297	ADAPTER	1	X X X	(SUB FOR R121200)
12	R50424	GASKET	2	X X X	
13	19H3483	CAP SCREW	2	X X X	3/8" X 1-1/8"
14	24M7096	WASHER	2	X X X	10.500 X 18 X 1.600 MM
15	AR58952	GASKET	1	X X X	
16	AR55394	OIL COOLER	1	X X X	
17	R117060	GASKET	1	X X X	

MEMORANDA
MEMORANDA
MEMORANDA
MEMORANDA
MEMORANDA

1G15

ENGINE

ENGINE OIL FILTER AND HOUSING (6081) (8100,8200,8300 TSN 010000-)
REFROIDISSEUR D'HUILE MOTEUR/FILTRE A HUILE MOTEUR (6081) (8100,8200, 8300 TSN 010000-)
MOTOR-OELKUEHLER/MOTOROEFILTER (6081) (8100,8200,8300 TSN 010000-)
RAFFREDDATORE OLIO MOTORE/FILTRO OLIO MOTORE (6081) (8100,8200, 8300 TSN 010000-)
REFRIGERADOR DEL ACEITE DEL MOTOR/FILTRO DE ACEITE DEL MOTORE(6081) (8100, 8200,8300 TSN 010000-)
MOTOROLJEKYLARE/MOTOROLJEFILTER (6081) (8100,8200,8300 TSN 010000-)
RGP4993 -UN-26MAR98



1G16

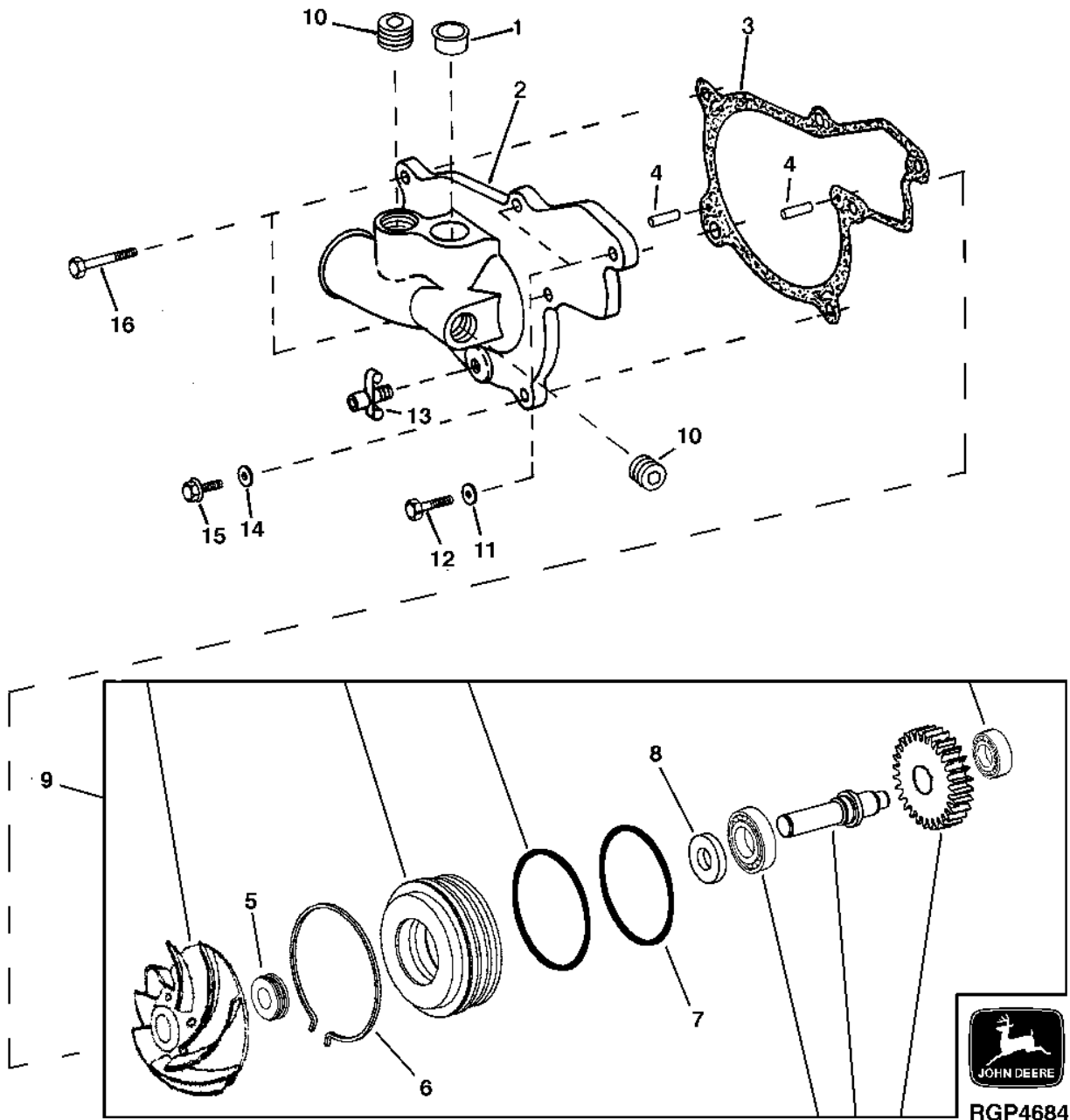
ENGINE

KEY	PART NO.	PART NAME	QTY	ENGINE			REMARKS
				SERIAL NO.	8 8 8	1 2 3	
					0 0 0		
					0 0 0		
1	RE58294	CONNECTOR	1		X X X		
2	R128694	BASE	1		X X X		
3	R108867	VALVE	1		X X X		
4	R98064	SPRING	1		X X X		
5	U17409	O-RING	1		X X X		
6	R117073	FITTING PLUG	1		X X X		
7	R47153	O-RING	4		X X X		
8	R86063	TUBE	2		X X X		
9	RE57394	OIL FILTER	1		X X X		(MARKED RE57394)
9A	R43660	PACKING	1		X X X		
10	R129820	HOUSING	1		X X X		
11	19H3239	CAP SCREW	1		X X X		3/8" X 1-1/4"
12	R119847	GASKET	1		X X X		
13	R124186	RELIEF VALVE	1		X X X		
14	R102844	SPRING	1	-024534	X X X		(SUB R500330)
	R500330	SPRING	1	024535-	X X X		
15	U17409	O-RING	1		X X X		
16	R129821	FITTING PLUG	1		X X X		(USE WITH R129820)
17	19H3445	CAP SCREW	2		X X X		3/8" X 3-3/4"
18	R104621	ADAPTER	1		X X X		
19	19H3104	CAP SCREW	2		X X X		7/16" X 1-1/4"
20	R104592	PIPE PLUG	2		X X X		

1G17

ENGINE

WATER PUMP (6081) (8100,8200,8300 TSN 010000-)
POMPE A EAU (6081) (8100,8200,8300 TSN 010000-)
WASSERPUMPE (6081) (8100,8200,8300 TSN 010000-)
POMPA ACQUA (6081) (8100,8200,8300 TSN 010000-)
BOMBA DE AGUA (6081) (8100,8200,8300 TSN 010000-)
VATTENPUMP (6081) (8100,8200,8300 TSN 010000-)
RGP4684 -UN-01JUN96



1G18

ENGINE

KEY	PART NO.	PART NAME	QTY	ENGINE			REMARKS
				SERIAL NO.	8 8 8	1 2 3	
				0 0 0	0 0 0	0 0 0	
1	RE57190	SEAL	1	X	X	X	
2	R120523	COVER	1	X	X	X	
3	R119383	GASKET	1	X	X	X	
4	R11086	DOWEL PIN	2	X	X	X	
5	RE69844	KIT	1	X	X	X	(SUB RE502154, THIS APPLICATION)
6	R121316	RING	1	X	X	X	(RETAINING)
7	R122430	O-RING	2	X	X	X	
	RE502154	KIT	1	X	X	X	(CONTAINS RETAINING RING AND (2) O-RINGS)
8	RE39134	SEAL	1	X	X	X	(OIL)
9	RE57154	WATER PUMP	1	X	X	X	(MARKED RE57154) (16 TEETH)
10	15H624	PIPE PLUG	2	X	X	X	1/2"
11	24M7096	WASHER	3	X	X	X	10.500 X 18 X 1.600 MM
12	19H1854	CAP SCREW	3	X	X	X	3/8" X 3-3/4"
13	AT13740	DRAIN VALVE	1	X	X	X	
14	24H1136	WASHER	1	X	X	X	11/32" X 11/16" X 0.065"
15	19H1897	CAP SCREW	1	X	X	X	5/16" X 3-3/4"
16	19H3411	CAP SCREW	2	X	X	X	3/8" X 1-1/8"
..	R98527	FILTER	1	X	X	X	(CONTAINED IN RE69844)

MEMORANDA
MEMORANDA
MEMORANDA
MEMORANDA
MEMORANDA

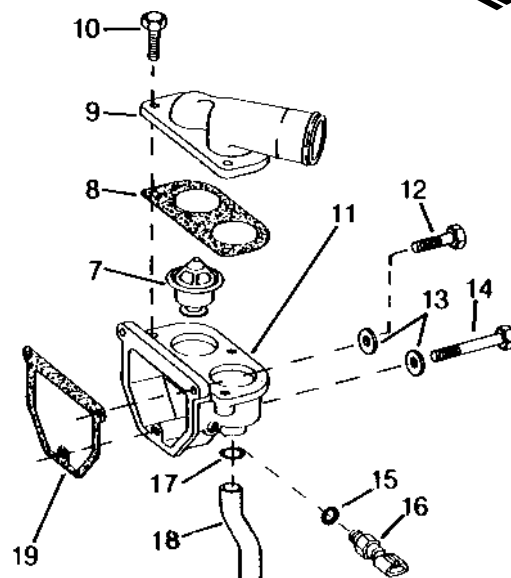
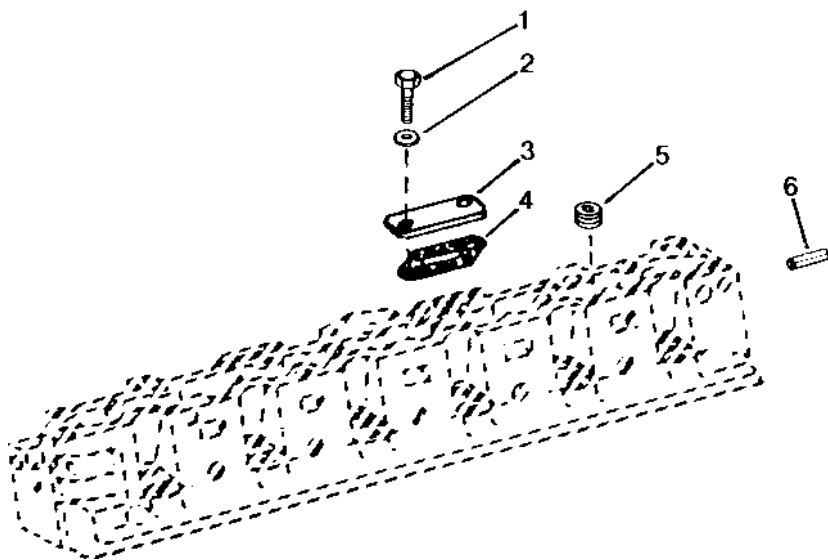
1G19

ENGINE

WATER MANIFOLD (6081) (8100,8200,8300 TSN 010000-)
 PIPE D'EAU/THERMOSTAT (6081) (8100,8200,8300 TSN 010000-)
 KUEHLWASSERKRUEMMER/THERMOSTAT (6081) (8100,8200,8300 TSN 010000-)
 COLLETTORE DELL'ACQUA/TERMOSTATO (6081) (8100,8200,8300 TSN 010000-)
 COLECTOR DEL AGUQ DE REFRIGERACION/TERMOSTATO (6081) (8100,8200,8300 TSN 010000-)
 VATTENMANTEL/TERMOSTAT (6081) (8100,8200,8300 TSN 010000-)

TSN 010000-)

RGP4449 -UN-03MAR95



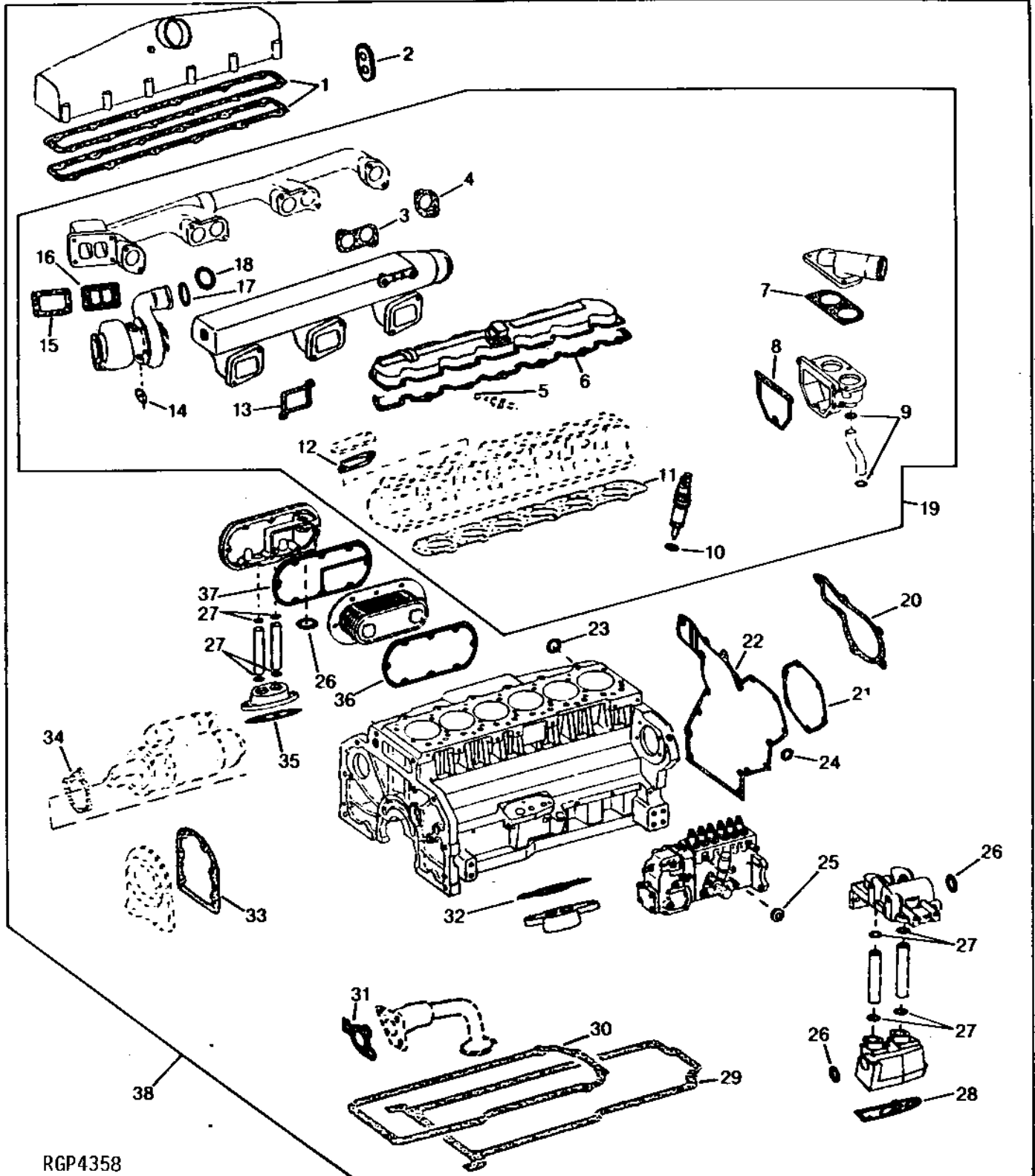
RGP4449

KEY	PART NO.	PART NAME	QTY	ENGINE SERIAL NO.				REMARKS
					8	8	8	
1	19H2284	CAP SCREW	4		X	X	X	3/8" X 7/8"
2	24H1305	WASHER	4		X	X	X	13/32" X 13/16" X 0.065"
3	R86061	STRAP	2		X	X	X	
4	R88397	GASKET	2		X	X	X	
5	15H691	PIPE BUSHING	1		X	X	X	1/8"
6	34H329	SPRING PIN	1		X	X	X	
7	AR48675	THERMOSTAT	2		X	X	X	82°C (180°F)
8	R124607	GASKET	1		X	X	X	
9	R122196	COVER	1		X	X	X	
10	19H2284	CAP SCREW	3		X	X	X	3/8" X 7/8"
11	R122195	HOUSING	1		X	X	X	
12	19H3483	CAP SCREW	2		X	X	X	3/8" X 1-1/8"
13	24M7096	WASHER	3		X	X	X	10.500 X 18 X 1.600 MM
14	19H1819	CAP SCREW	1		X	X	X	3/8" X 2-1/8"
15	R77673	O-RING	1		X	X	X	
16	RE151433	WATER TEMPERATURE SENSOR	1		X	X	X	(SUB FOR RE48073)
17	R72328	O-RING	1		X	X	X	
18	R120022	TUBE	1		X	X	X	
19	R124211	GASKET	1		X	X	X	

1G20

ENGINE

ENGINE GASKET KITS (6081) (8100,8200,8300 TSN 010000-)
JEU DE JOINTS MOTEUR (6081) (8100,8200,8300 TSN 010000-)
MOTOR-DICHTUNGSSATZ (6081) (8100,8200,8300 TSN 010000-)
SERIE GUARNIZIONI MOTORE (6081) (8100,8200,8300 TSN 010000-)
JUEGO DE JUNTAS PARE EL MOTOR (6081) (8100,8200,8300 TSN 010000-)
PACKNINGSSATS FOR MOTOR (6081) (8100,8200,8300 TSN 010000-)
RGP4358 -UN-01JAN94



RGP4358

1G21

ENGINE

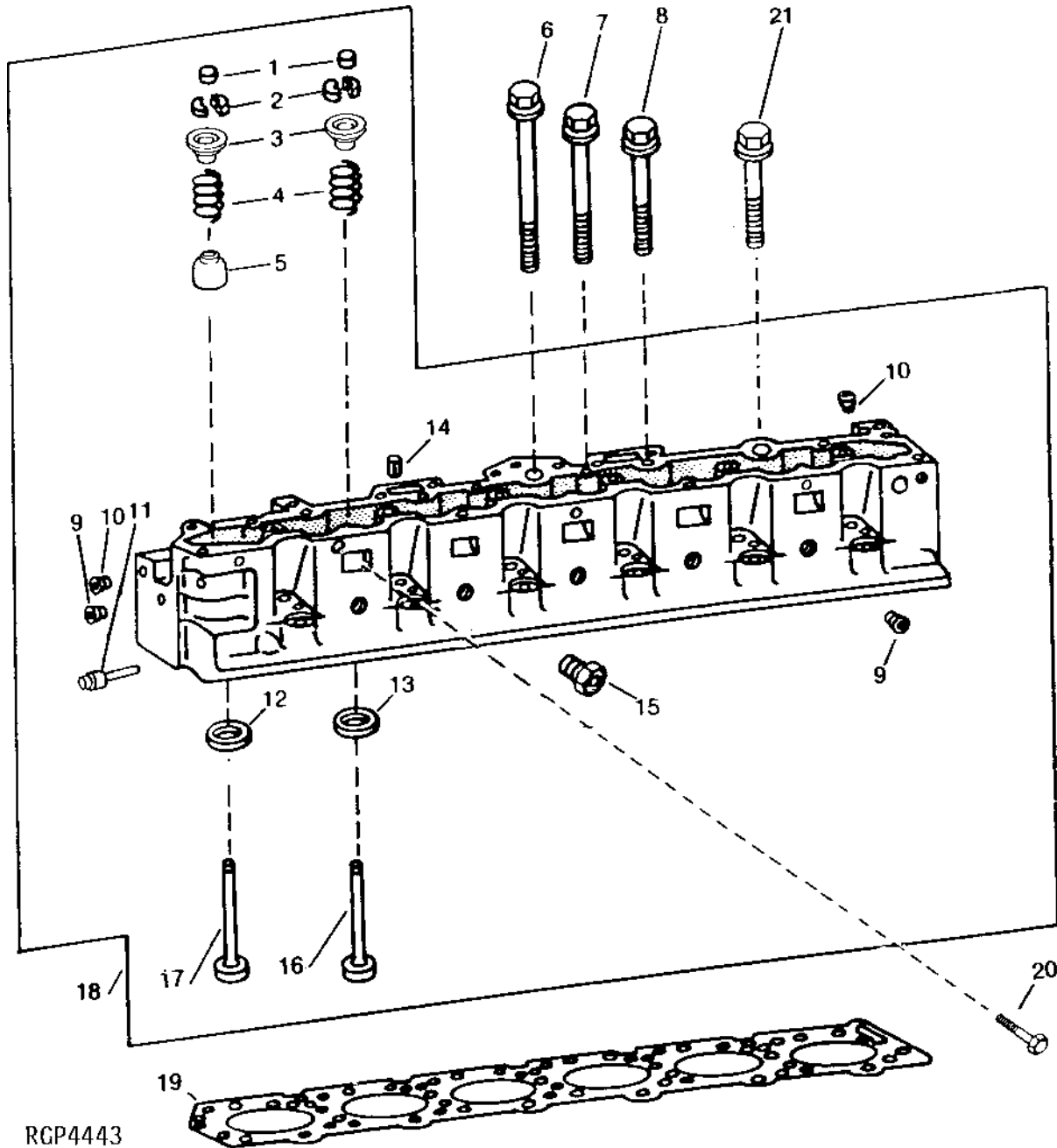
KEY	PART NO.	PART NAME	QTY	ENGINE			REMARKS
				SERIAL NO.	8 8 8	1 2 3	
				0 0 0	0 0 0	0 0 0	
1	R88993	GASKET	NA				
2	R100911	SEAL	NA				
3	RE62776	GASKET	2		X X X		
4	RE62777	GASKET	2		X X X		
5	R77551	O-RING	6		X X X		
6	R49866	GASKET	1		X X X		
7	R124607	GASKET	1		X X X		
8	R124211	GASKET	1		X X X		
9	R72328	O-RING	1		X X X		
10	R84472	WASHER	6		X X X		
11	RE55475	ENGINE CYLINDER HEAD GASKET	1		X X X		
12	R88397	GASKET	2		X X X		
13	R120646	GASKET	3		X X X		
14	R105346	GASKET	1		X X X		
15	R92097	GASKET	NA				
16	R89879	GASKET	1		X X X		
17	R86743	O-RING	1		X X X		
18	R50405	O-RING	NA				
19	RE57186	GASKET KIT	1		X X X		CYLINDER HEAD
20	R119383	GASKET	1		X X X		
21	R50390	GASKET	1		X X X		
22	R119384	GASKET	1		X X X		
23	U13639	O-RING	1		X X X		
24	R54856	O-RING	1		X X X		
25	R53899	WASHER	1		X X X		(USE WITH R83489)
	R53901	WASHER	1		X X X		(USE WITH R83490)
26	U17409	O-RING	3		X X X		
27	R47153	O-RING	4		X X X		
	R47153	O-RING	4		X X X		
28	R119847	GASKET	1		X X X		
29	GASKET	NA				
30	R49377	GASKET	1		X X X		
31	R100569	GASKET	1		X X X		
32	R109625	GASKET	1		X X X		
33	R26058	GASKET	1		X X X		
34	R53108	GASKET	1		X X X		
35	R50424	GASKET	1		X X X		
36	AR58952	GASKET	1		X X X		
37	R117060	GASKET	1		X X X		
38	RE57187	GASKET KIT	1		X X X		(A) ENGINE REBUILD
..	R124030	GASKET	1		X X X		

(A) ALSO ORDER R125855 OIL PAN GASKET, AS REQUIRED.

1G22

ENGINE

CYLINDER HEAD AND VALVES (8400)
CULASSE (6081)
ZYLINDERKOPF
TESTATA
TESTATA (6081)
CULATA (6081)
RGP4443 -UN-28FEB95



RGP4443

1G23

ENGINE

KEY	PART NO.	PART NAME	QTY	ENGINE SERIAL NO.	REMARKS
				8	
				4	
				0	
				0	
1	T20129	CAP	12	X	
2	T20077	RETAINER	24	X	
3	R136320	CAP	12	X	(SUB FOR R104534)
4	R91822	SPRING	12	X	
5	R102882	SHIELD	6	X	(A)
6	R121491	CAP SCREW	7	X	
7	R121490	CAP SCREW	8	X	
8	R121320	CAP SCREW	6	X	
9	15H690	PIPE PLUG	10	X	3/4"
10	15H584	PIPE PLUG	2	X	1/2"
11	AT107509	PLUG	1	X	
12	R119132	VALVE SEAT INSERT	6	X	(A)
13	R121193	VALVE SEAT INSERT	6	X	(B)
14	34H387	SPRING PIN	1	X	3/16" X 3/4"
15	R76491	PIPE PLUG	1	X	
16	R84618	INTAKE VALVE	6	X	STD
	R93308	INTAKE VALVE	AR	X	0.08MM (.003") OS
	R93312	INTAKE VALVE	AR	X	0.38MM (.015") OS
	R93314	INTAKE VALVE	AR	X	0.76MM (.030") OS
17	R84619	EXHAUST VALVE	6	X	STD
	R93311	EXHAUST VALVE	AR	X	0.08MM (.003") OS
	R93313	EXHAUST VALVE	AR	X	0.38MM (.015") OS
	R93315	EXHAUST VALVE	AR	X	0.76MM (.030") OS
18	RE57750	CYLINDER HEAD	1	X	(MARKED R122419)
19	RE55475	ENGINE CYLINDER HEAD GASKET	1	X	
20	19H2367	CAP SCREW	1	X	5/8" X 3/4"
21	R121489	CAP SCREW	5	X	
..	RG24026	KIT	1	X	(CONTAINS (26) HEAD BOLTS)

(A) EXHAUST VALVE
 SOUPEPE D'AECHAPPEMENT
 AUSLASSVENTIL
 VALVOLA DI SCARICO
 VALVULA DE ESCAPE
 AVGASVENTIL

(B) INTAKE VALVE
 SOUPEPE D'ADMISION
 EINLASSVENTIL
 VALVOLA D'ASPIRAZIONE
 VALVULA DE ADMISION
 INSUGSVENTIL

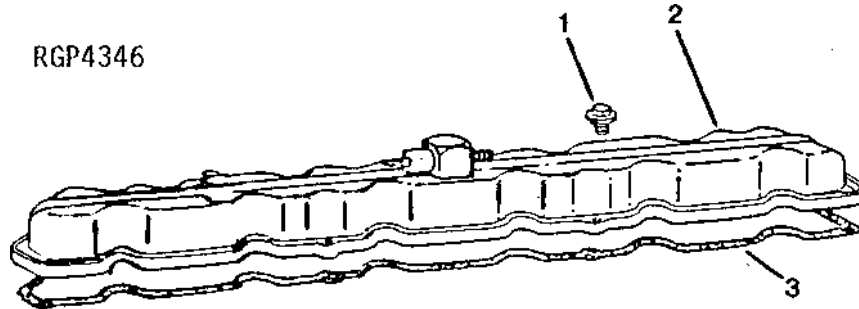
1G24

ENGINE

ROCKER ARM COVER
CULBUTEURS
ZYLINDERKOPFHAUBE
COPERCHIO BILANCIERI
TAPA DE BALANCINES
VENTILKAPA
RGP4346 -UN-01JAN94



RGP4346

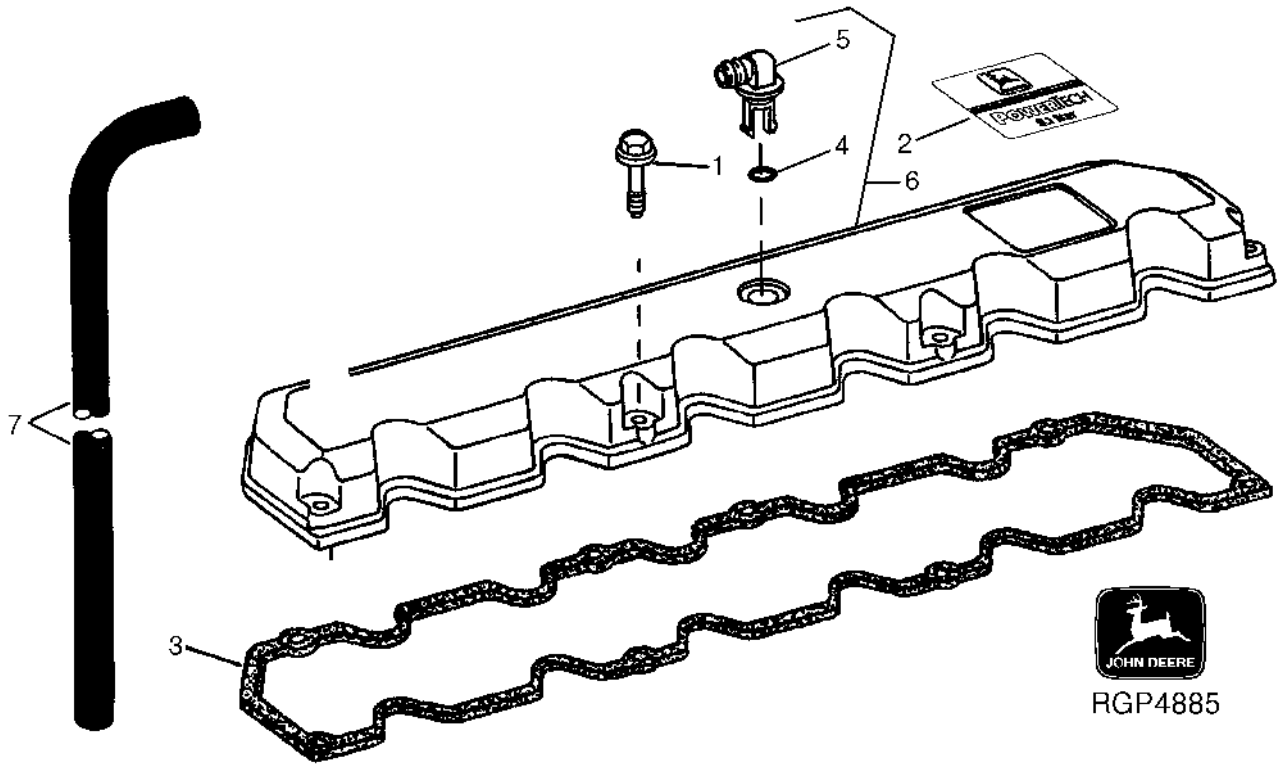


KEY	PART NO.	PART NAME	QTY	ENGINE SERIAL NO.	8 4 0 0	REMARKS
1	AR100124	SCREW, WITH WASHER	8	-018791	X	
2	RE37448	COVER	1	-018791	X	
3	R49866	GASKET	1	-018791	X	
..	TY24446	ADHESIVE	1		X	(SUB FOR AR31790)

1G25

ENGINE

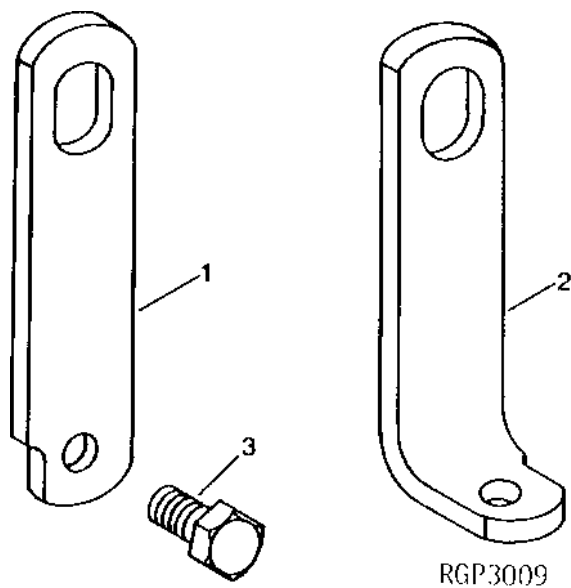
ROCKER ARM COVER
 CULBUTEURS
 ZYLINDERKOPFHAUBE
 COPERCHIO BILANCIERI
 TAPA DE BALANCINES
 VENTILKAPA
 RGP4885 -UN-13MAY97



KEY	PART NO.	PART NAME	QTY	ENGINE SERIAL NO.	REMARKS
1	RE57632	SCREW, WITH WASHER	8	018792-	X
2	R116932	MEDALLION	1	018792-	X
3	RE54368	GASKET	1	018792-	X
4	R72328	O-RING	1	018792-	X
5	R120467	ELBOW FITTING	1	018792-	X
6	RE70023	COVER	1	018792-	X
7	R126432	HOSE	1	018792-	X
..	R72659	CLAMP	1	018792-	X

MEMORANDA
MEMORANDA
MEMORANDA
MEMORANDA
MEMORANDA

LIFT STRAPS (6081)
 ECLISSES D'APAREIL DE LEVAGE (6081)
 HUBSTREBE (6081)
 FASCETTE DEL PARANCO (6081)
 TIRAS DE ELEVADOR (6081)
 MOTORLYFTSFAESTEN (6081)
 RGP3009 -UN-01JAN94

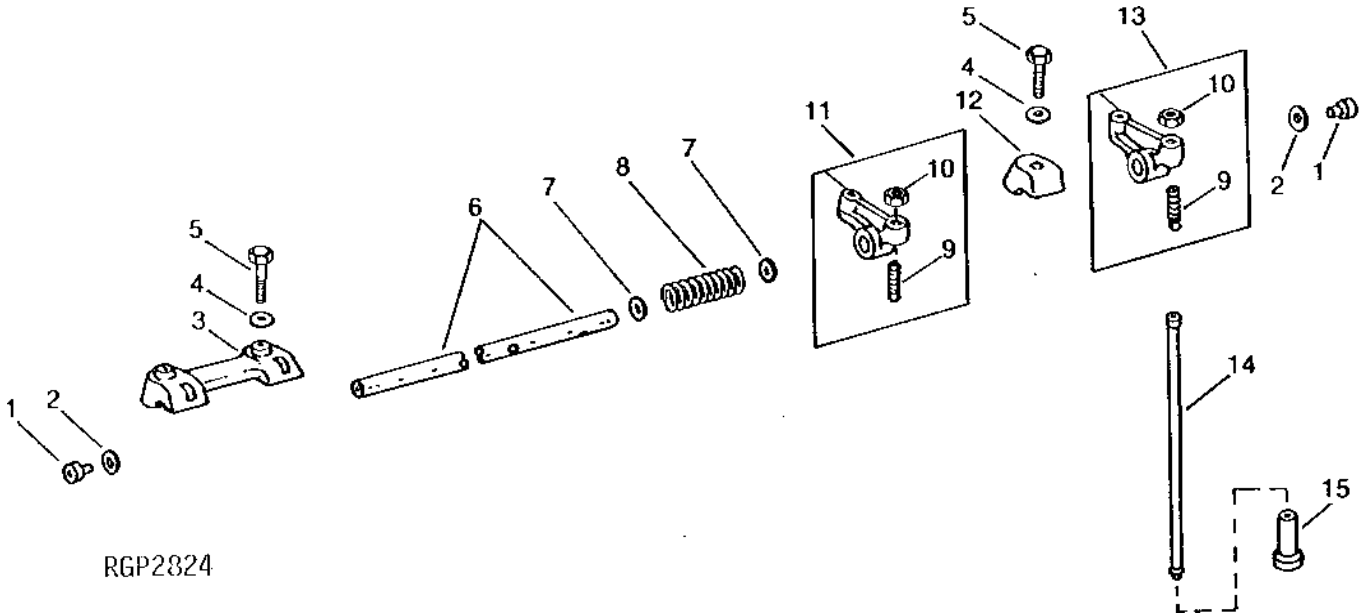


KEY	PART NO.	PART NAME	QTY	ENGINE SERIAL NO.	REMARKS
1	R61497	STRAP	2		X
2	R86571	ANGLE	NA		X
3	19H1756	CAP SCREW	2		X 5/8" X 1-1/2"

1H2

ENGINE

ROCKER ARMS AND SHAFT (8400)
 ARBRES DES CULBUTEURS (8400)
 KIPPHEBELWELLE (8400)
 ALBERO BILANCIERI (8400)
 EJE DE BALANCIENES (8400)
 VIPPARMSAXEL (8400)
 RGP2824 -UN-01JAN94



RGP2824

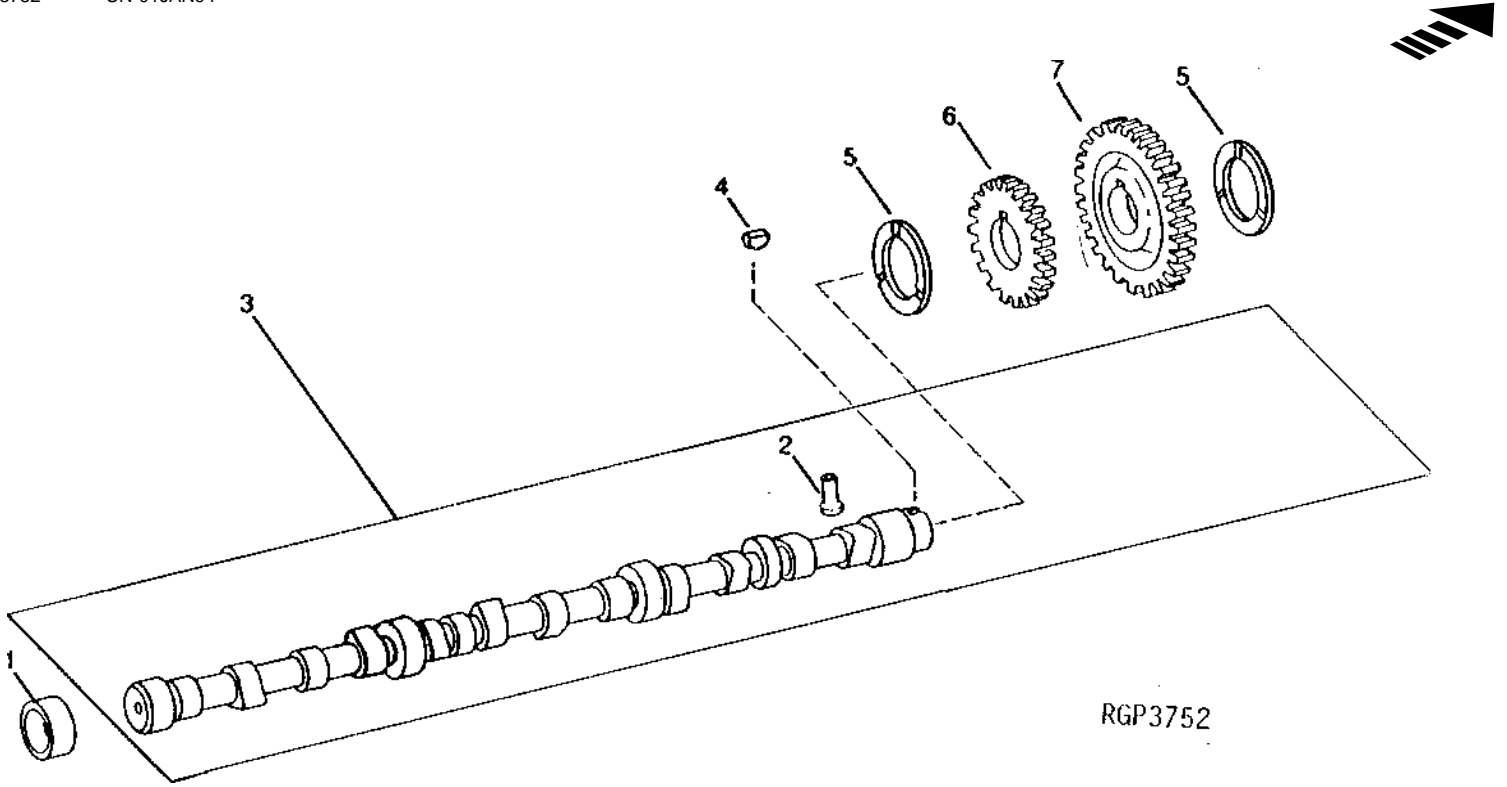
KEY	PART NO.	PART NAME	QTY	ENGINE SERIAL NO.	REMARKS
				8	
				4	
				0	
				0	
1	R54565	PLUG	2	X	
2	R26081	WASHER	2	X	
3	R136083	CLAMP	2	X	(SUB FOR R65553)
4	R26559	WASHER	6	X	
5	19H1740	CAP SCREW	6	X	7/16" X 1-3/4"
6	R70826	ROCKER ARM SHAFT	1	X	
7	R71208	WASHER	10	X	
8	R26079	SPRING	5	X	
9	R27443	SET SCREW	12	X	
10	14H1080	NUT	12	X	3/8"
11	RE24045	ROCKER ARM	6	X	(A) (1E, 2I, 3E, 4I, 5E, 6I) (RH)
12	R26748	CLAMP	2	X	
13	RE24046	ROCKER ARM	6	X	(A) (1I, 2E, 3I, 4E, 5I, 6E) (LH)
14	R85027	PUSH ROD	12	X	
15	R110126	CAM FOLLOWER	12	X	

(A) - E (EXHAUST VALVE) - I (INTAKE VALVE)

1H3

ENGINE

CAMSHAFT AND GEAR
 ARBRE A CAMES
 NOCKENWELLE
 ALBERO A CAMME
 EJE DE LEVAS
 KAMAXEL/VENTILER
 RGP3752 -UN-01JAN94

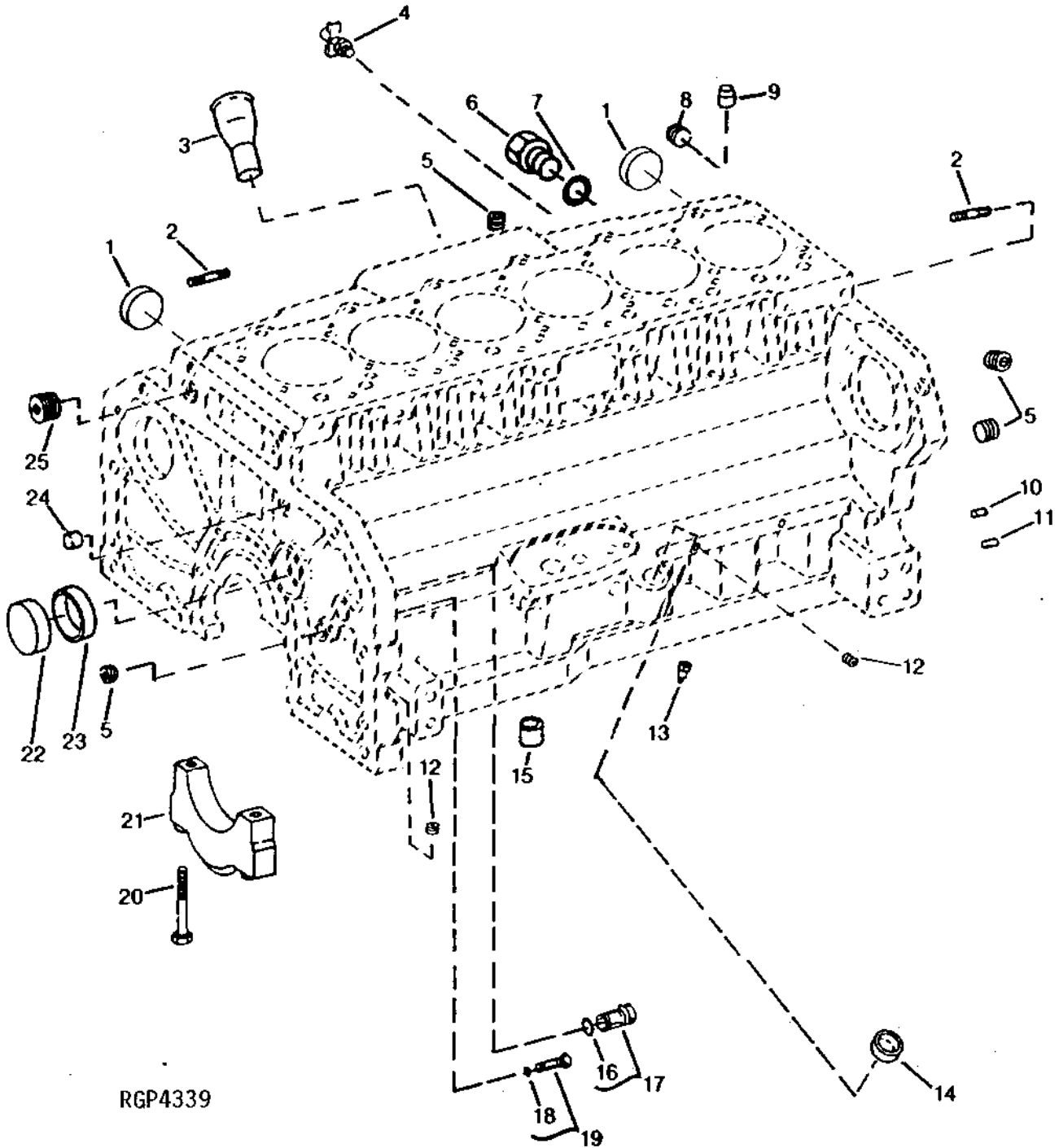


KEY	PART NO.	PART NAME	QTY	ENGINE SERIAL NO.	REMARKS
1	R87561	BUSHING	4		X
2	R110126	CAM FOLLOWER	12		X
3	RE57054	CAMSHAFT	1		X (MARKED R120872)
4	26H91	SHAFT KEY	1		X 3/16" X 1-1/4"
5	R104656	THRUST WASHER	2		X
6	R104589	GEAR	1		X
7	R112053	GEAR	1		X

1H4

ENGINE

CYLINDER BLOCK FITTINGS
RACCORDS DE BLOC-CYLINDRES
ZYLINDERBLOCK-FITTINGS
RACCORDI DEL MONOBLOQUE DE CILANDRO
CONECTORES DEL BLOQUE DE CILANDRO
SKRUVFOERBINDNINGAR FOER CYLINDERBLOCK
RGP4339 -UN-01JAN94



RGP4339

1H5

ENGINE

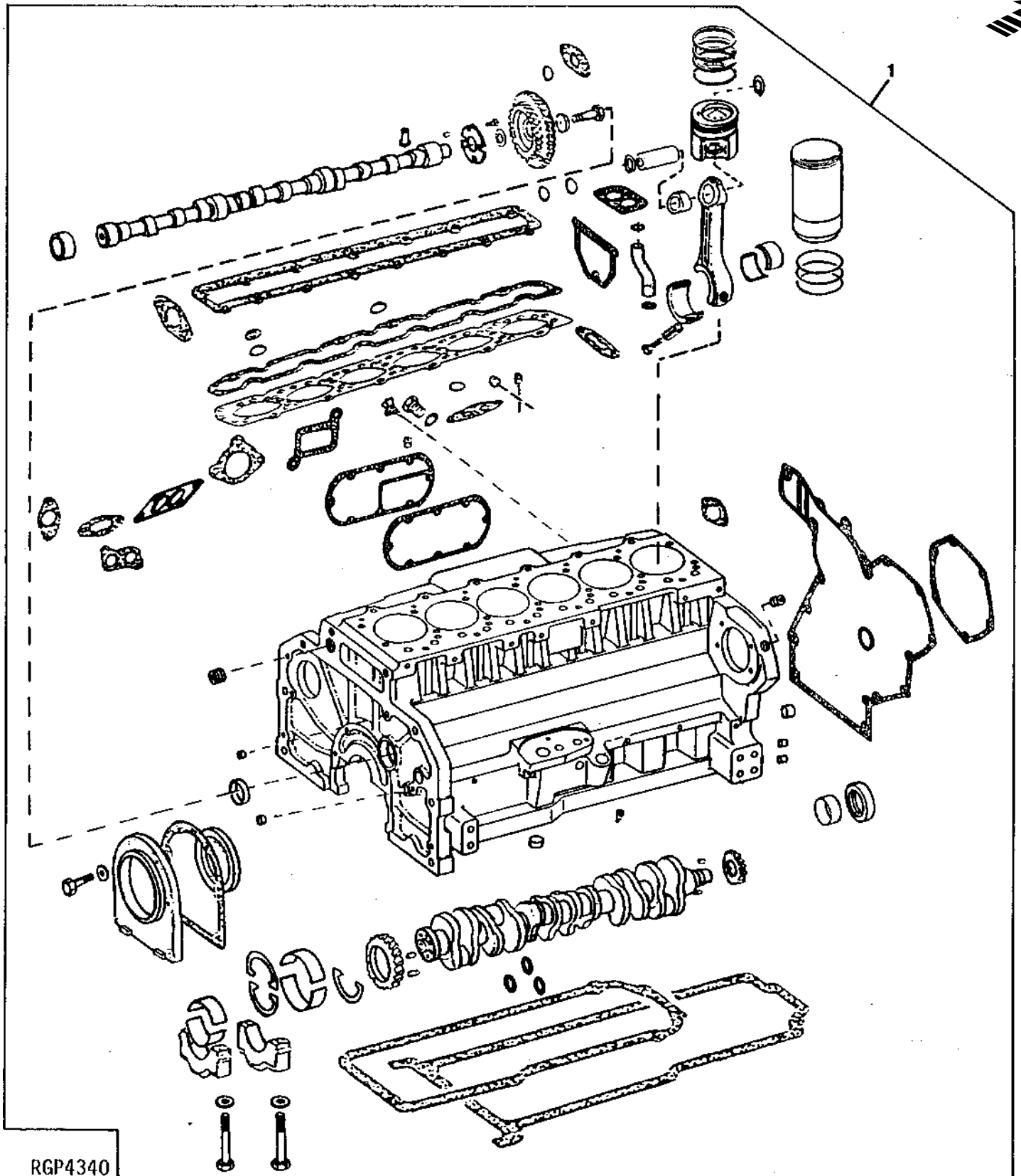
KEY	PART NO.	PART NAME	QTY	ENGINE SERIAL NO.	REMARKS
				8	
				4	
				0	
				0	
1	R43409	CAP	2	X	
2	R114130	STUD	5	X	
3	R120864	DIPSTICK TUBE	1	X	141.5 MM (5.57")
4	AT13740	DRAIN VALVE	1	X	
5	R36599	PLUG	1	X	(NOT AS SHOWN)
6	R39741	DRAIN PLUG	1	X	
7	U13639	O-RING	1	X	
8	15H690	PIPE PLUG	1	X	3/4"
9	R42340	BUSHING	2	X	
10	R1612R	DOWEL PIN	2	X	
11	F1743R	DOWEL PIN	2	X	
12	R104592	PIPE PLUG	6	X	
13	R43621	ORIFICE	6	X	
14	T35390	CAP	1	X	
15	R500642	BUSHING	2	X	(SUB FOR R62930, THIS APPLICATION)
16	R27149	O-RING	1	X	
17	AR61533	PLUG	1	X	
18	A4365R	O-RING	1	X	
19	AR61589	PLUG	1	X	
20	R122364	BOLT	14	X	
21	R120953	BEARING CAP	6	X	(MAIN)
	R120954	BEARING CAP	1	X	(THRUST)
22	R82007	CAP	1	X	
23	R87561	BUSHING	4	X	
24	R61288	DOWEL PIN	1	X	
25	15H562	PIPE PLUG	1	X	1"
..	15H686	PIPE PLUG	1	X	1", (CYLINDER BLOCK REAR COOLANT OPENING)
..	CYLINDER BLOCK	NA	X	(NOT AVAILABLE)
..	15H624	PIPE PLUG	2	X	

1H6

ENGINE

ENGINE SHORT BLOCK (WITHOUT HEAD BOLTS)
MOTEUR DEPOUILLE POUR RECHANGE (SANS BOULONS DE CULASSE)
KURZMOTOR (OHNE ZYLINDERKOPFSCHRAUBEN)
MOTORE CORTO (SENZA VITI DELLA TESTATA)
MOTOR BASICO (SIN PERNOS DE CABEZA)
KORTMOTOR (UTAN TOPPLOCKSSKRUVAR)

RGP4340 -UN-01JAN94



RGP4340

1H7

ENGINE

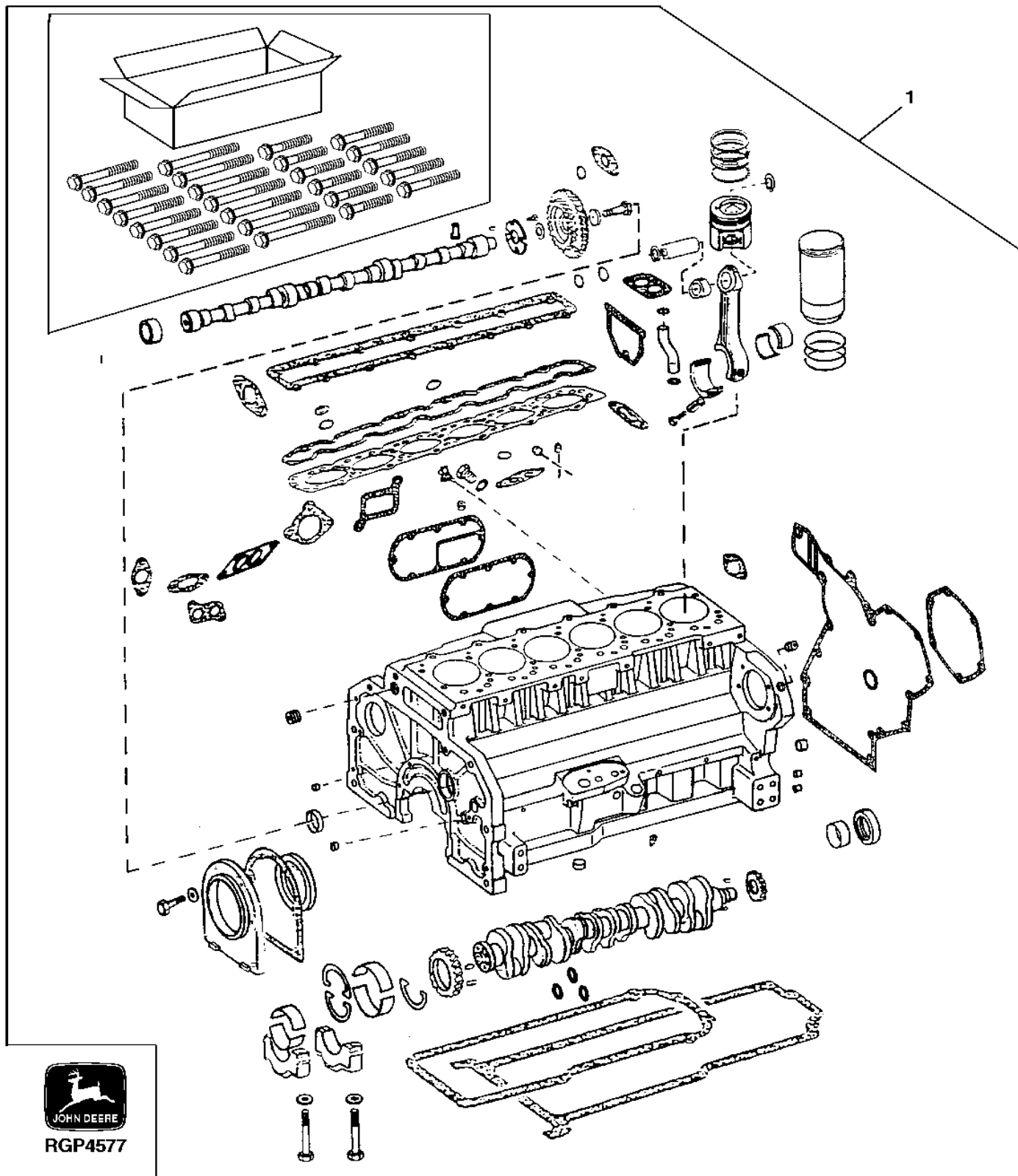
KEY	PART NO.	PART NAME	QTY	ENGINE SERIAL NO.	8 4 0 0	REMARKS
1	RE57181	SHORT BLOCK ASSEMBLY	1		X	(MARKED R120032) (SUB RE65049, R125855, AND R120864, APPL)

1H8

ENGINE

ENGINE SHORT BLOCK (WITH HEAD BOLTS)
MONTEUR DEPOUILLE POUR RECHANGE (AVEC BOULONS DE CULASSE)
KURZMOTOR (MIT ZYLINDERKOPFSCHRAUBEN)
MOTORE CORTO (CON VITI DELLA TESTATA)
MOTOR BASICO (CON OERNOS DE CABEZA)
KORTMOTOR (MED TOPPLOCKSSKRUVAR)

RGP4577 -UN-02NOV95



1H9

ENGINE

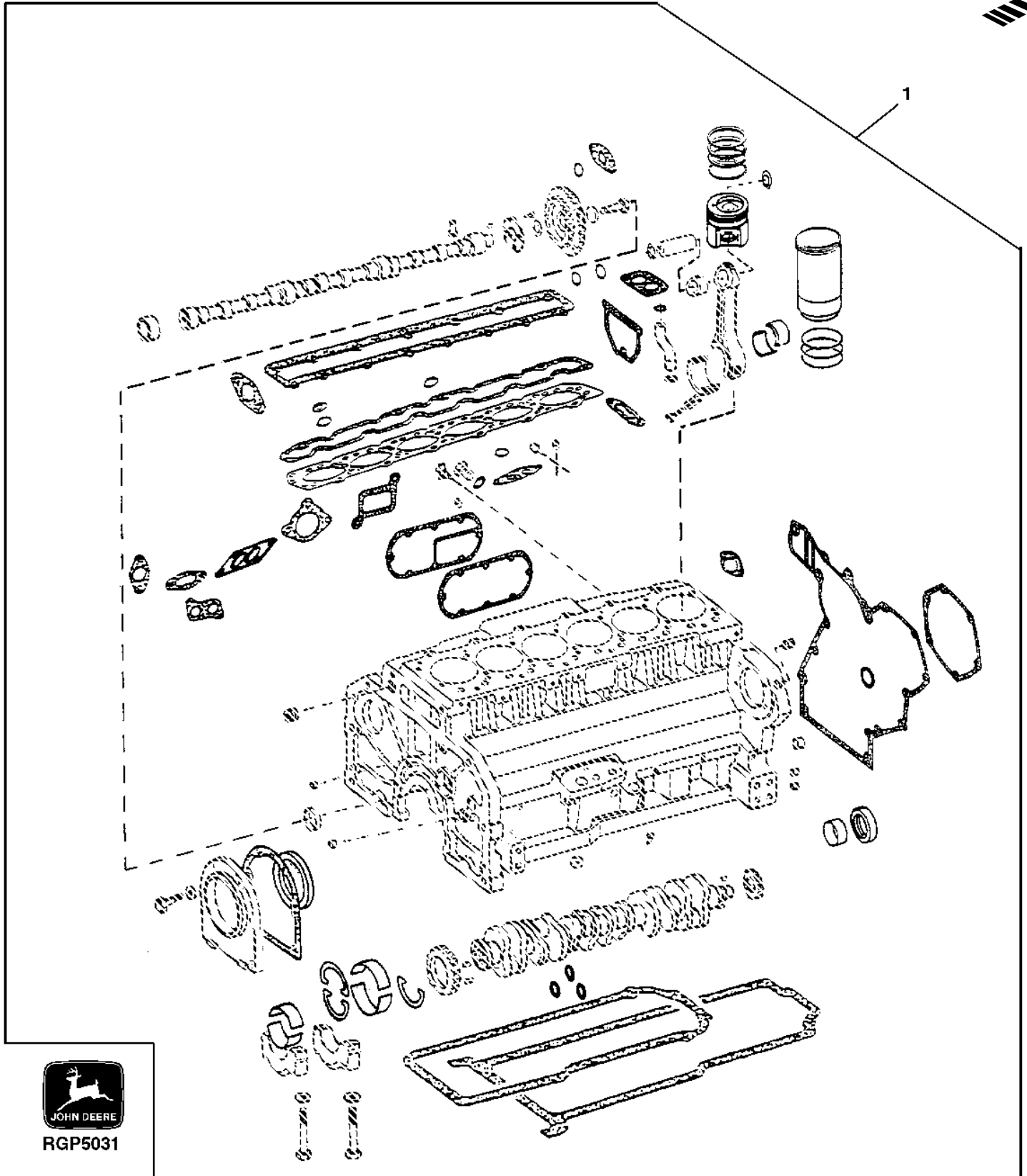
KEY	PART NO.	PART NAME	QTY	ENGINE SERIAL NO.	REMARKS
1	RE65049	SHORT BLOCK ASSEMBLY	1	X	(MARKED R120032) (ALSO ORDER R125855 AND R120864, APPL)

8
4
0
0

1H10

ENGINE

ENGINE OVERHAUL KIT
JEU POUR LA REVISION DU MOTEUR
MOTOR-UEBERHILSATZ
KIT DI REVISIONE DEL MOTORE
CONJUNTO DE RECONDICIONAMIENTO DEL MOTOR
MOTOROEVERSYNSSATS
RGP5031 -UN-11MAY98



1H11

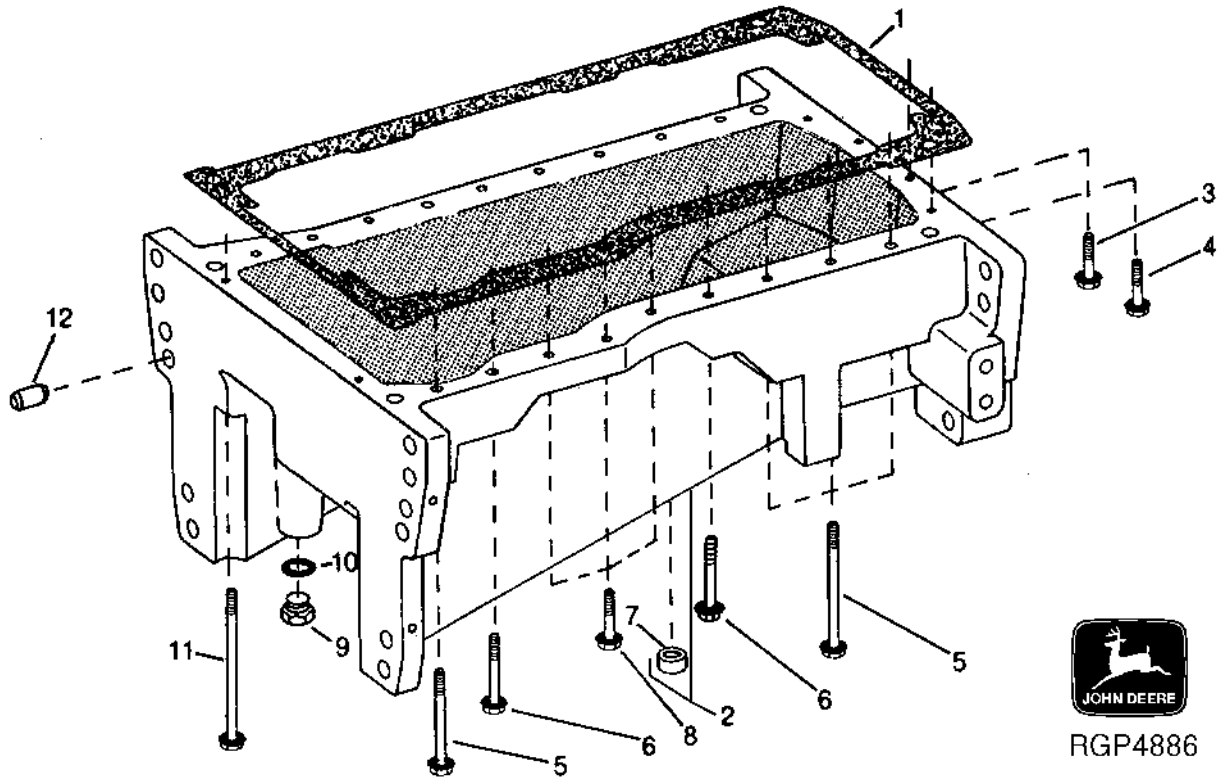
ENGINE

KEY	PART NO.	PART NAME	QTY	ENGINE SERIAL NO.	8 4 0 0	REMARKS
1	RE64907	ENGINE OVERHAUL KIT	2	-002973	X	(CONTAINS (6) RE62791 PISTON/LINERS, GASKET KIT, STD BEARINGS, FRONT/REAR SEALS, AND SNAP RINGS) (ALSO ORDER R66452 ROD BOLTS) (SUB RE67677) (ALSO ORDER R125855)
	RE67677	ENGINE OVERHAUL KIT	1	002974-	X	(CONTAINS (6) RE64509 PISTON/LINERS, GASKET KIT, STD BEARINGS, FRONT/REAR SEALS, AND SNAP RINGS) (ALSO ORDER R66452 ROD BOLTS) (ALSO ORDER R125855)

1H12

ENGINE

OIL PAN
 CARTER D'HUILE
 DELWANNE
 COPPA DELL'OLIO
 CARTER DEL ACEITE
 OLJETRAG
 RGP4886 -UN-13MAY97

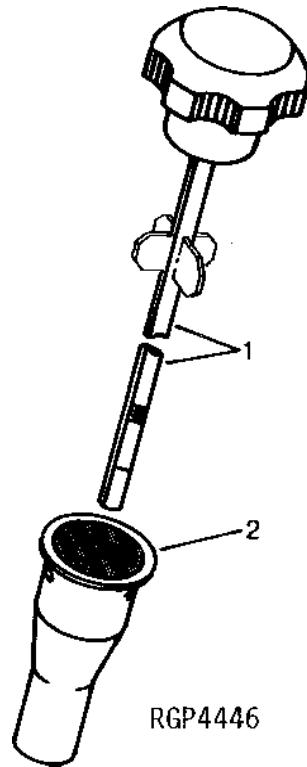


KEY	PART NO.	PART NAME	QTY	ENGINE SERIAL NO.	REMARKS
1	R125855	GASKET	1		X (SUB FOR R107343)
2	RE71509	OIL PAN	1	-XXXXXX	X (MARKED R136471 OR R107229) (SUB FOR RE50889)
	RE161680	OIL PAN	1	XXXXXX-	X
	19M7963	CAP SCREW	2	XXXXXX-	X
3	R122474	CAP SCREW	2		X .375 X 2.25
4	R121395	CAP SCREW	2		X .375 X 1.875
5	R122477	CAP SCREW	8		X .500 X 6.000
6	R122476	CAP SCREW	4		X .500 X 4.000
7	ET14521	BUSHING	4		X
8	R122475	CAP SCREW	6		X .500 X 2.500
9	R27175	DRAIN PLUG	1		X
10	F3171R	O-RING	1		X
11	R126912	CAP SCREW	2		X .375 X 7.750
12	DOWEL PIN	6		X (SUB RE71509)

1H13

ENGINE

ENGINE OIL DIPSTICK AND TUBE
JAUGE A HUILE MOTEUR
MOTOROELMESSTAB
ASTINA DE LIVELLO OLIO MOTORE
ASPILLA PARA MEDIR EL NIVEL DE ACEITE DEL MOTOR
MOTORNS OLJETICKA
RGP4446 -UN-03MAR95

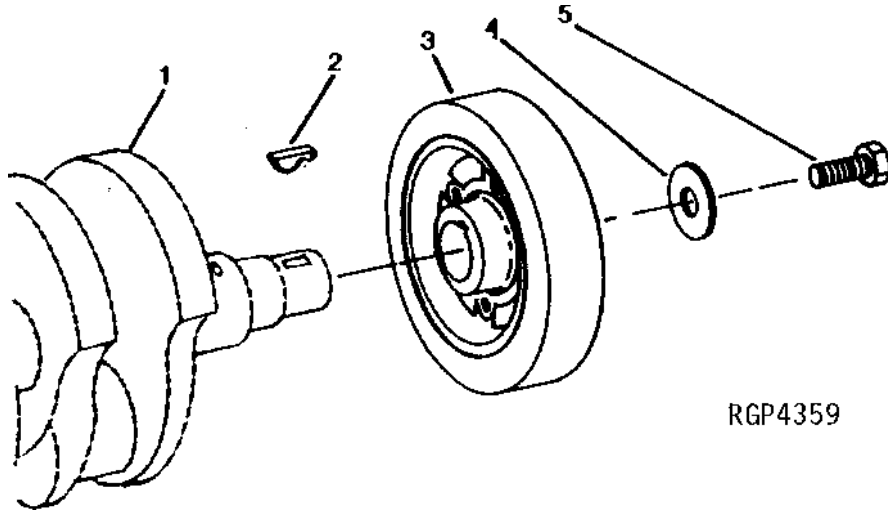


KEY	PART NO.	PART NAME	QTY	ENGINE SERIAL NO.	REMARKS
1	RE500209	DIPSTICK	1	8	X (SUB FOR RE56493)
2	R120864	DIPSTICK TUBE	1	4	X 141.5 MM (5.57") (6081HRW01)
				0	
				0	

1H14

ENGINE

CRANKSHAFT PULLEY AND DAMPER
 POULE DE VILEBREQUIN
 KURBELWELLENRIEMENSCHIBE
 PULEGGIA DELL'ALBERO A GOMITI
 POLEA DEL CIGUENAL
 VEVAXELREMSKIVA
 RGP4359 -UN-01JAN94



RGP4359

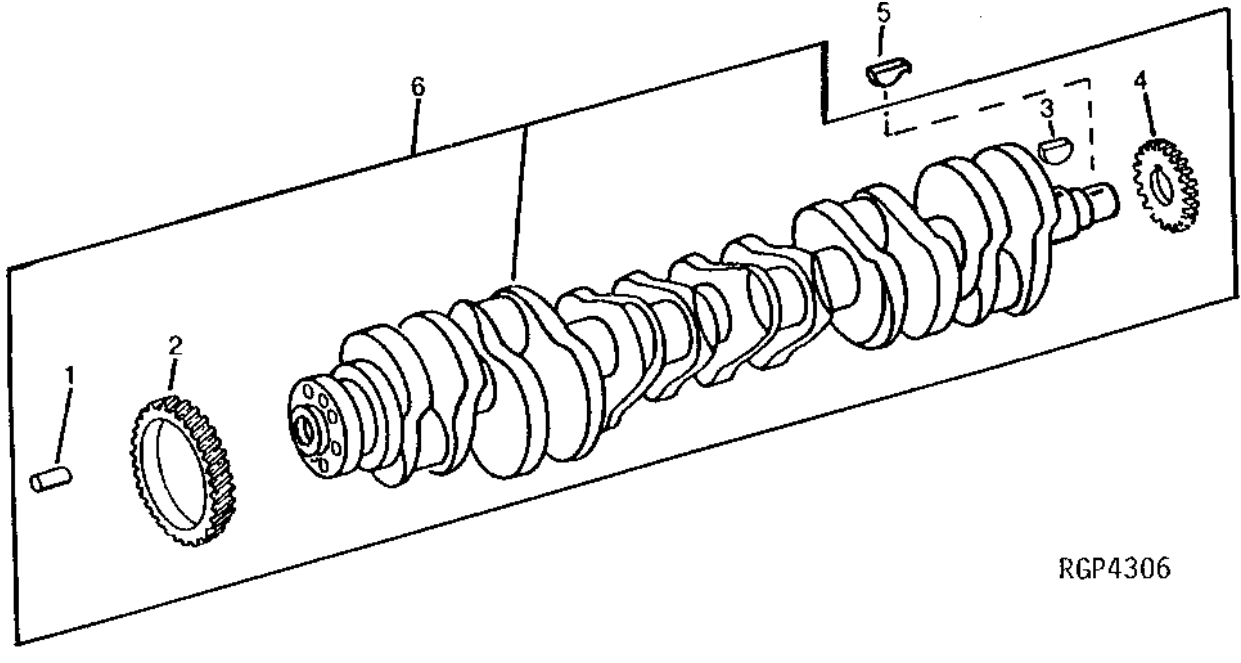
KEY	PART NO.	PART NAME	QTY	ENGINE SERIAL NO.	8	4	0	0	REMARKS
1	CRANKSHAFT	1		X				
2	R116311	KEY	1		X				
3	RE57603	TORSIONAL DAMPENER	1		X				
4	R26333	WASHER	1		X				
5	R79846	CAP SCREW	1		X				

1H15

ENGINE

CRANKSHAFT
 VILEBREQUIN
 KURBELWELLE
 ALBERO A COLLI
 CIGUENAL
 VEVAXEL
 RGP4306

-UN-01JAN94



RGP4306

KEY	PART NO.	PART NAME	QTY	ENGINE SERIAL NO.	REMARKS
1	R41934	DOWEL PIN	1		
2	R63326	GEAR	1		
3	R120752	KEY	1		
4	R104587	GEAR	1		
5	R116311	KEY	1		
6	RE55522	CRANKSHAFT	1		

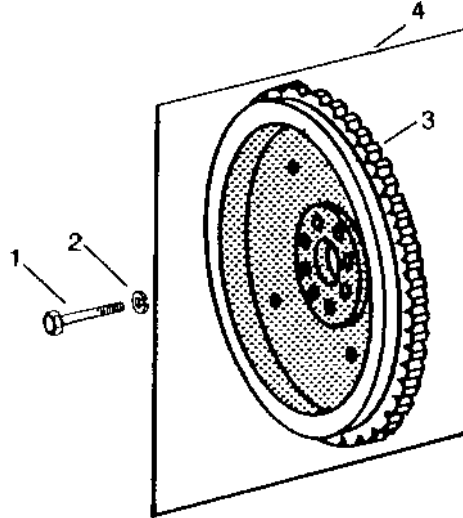
8
4
0
0

1H16

ENGINE

FLYWHEEL
VOLANT
SCGWUNGRAD
VOLANO
VOLANTE
SVANGHJUL
RGP3073

-UN-01JAN94



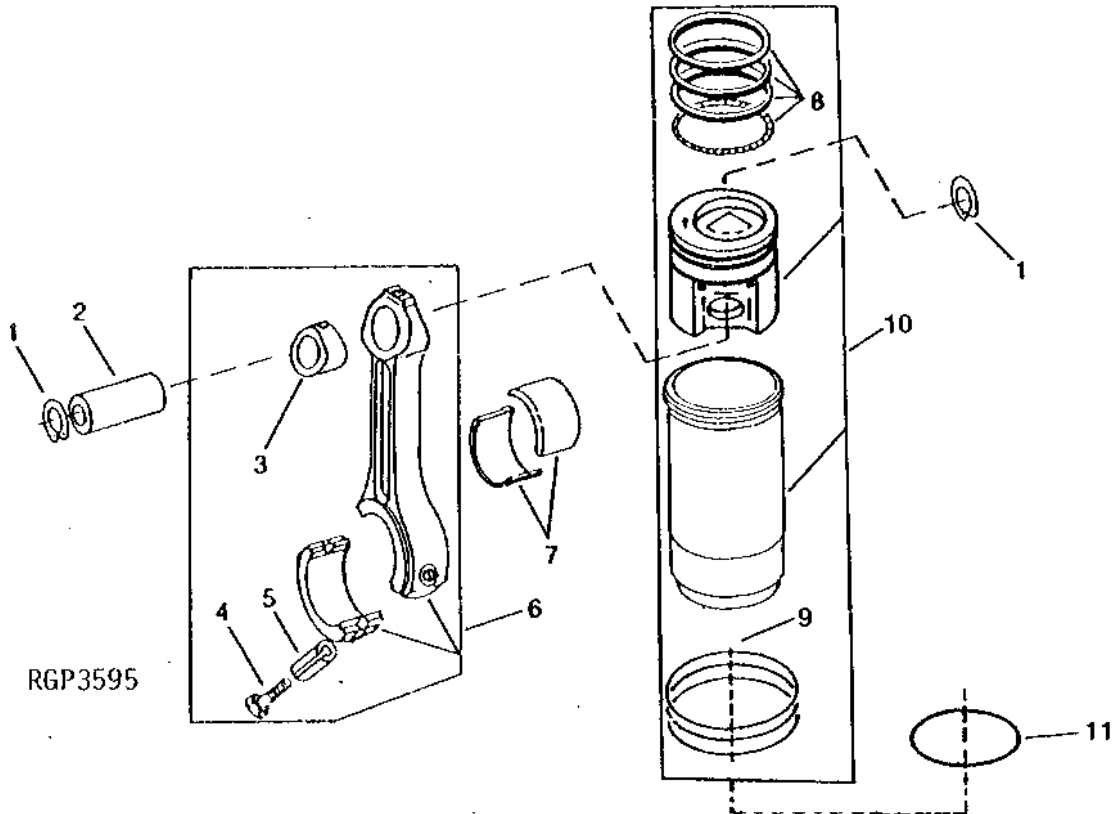
RGP3073

KEY	PART NO.	PART NAME	QTY	ENGINE SERIAL NO.	REMARKS
				8	
				4	
				0	
				0	
1	19H3579	CAP SCREW	6		X (SUB FOR R41049 OR R52634 THIS APPLICATION)
2	T23891	WASHER	6		X 13.487 X 20.625 X 1.524 MM (17/32" X 13/16" X 0.060")
3	R28811	RING GEAR	1		X
4	RE44632	FLYWHEEL	1		X (MARKED R107339)

1H17

ENGINE

PISTON/CONNECTING RODS/CYLINDER LINER
 PISTON/BIELLE/CHEMISE DE CYLINDRE
 KOLBEN/PLEUELSTANGE/ZYLINDERLAUFBUCHSE
 PISTONE/BIELLA/CAMICIE
 PISTON/BIELA/CAMISA DEL CILINDRO
 KOLV/KOLVSTAKE/CYLINDERFODER
 RGP3595 -UN-01JAN94



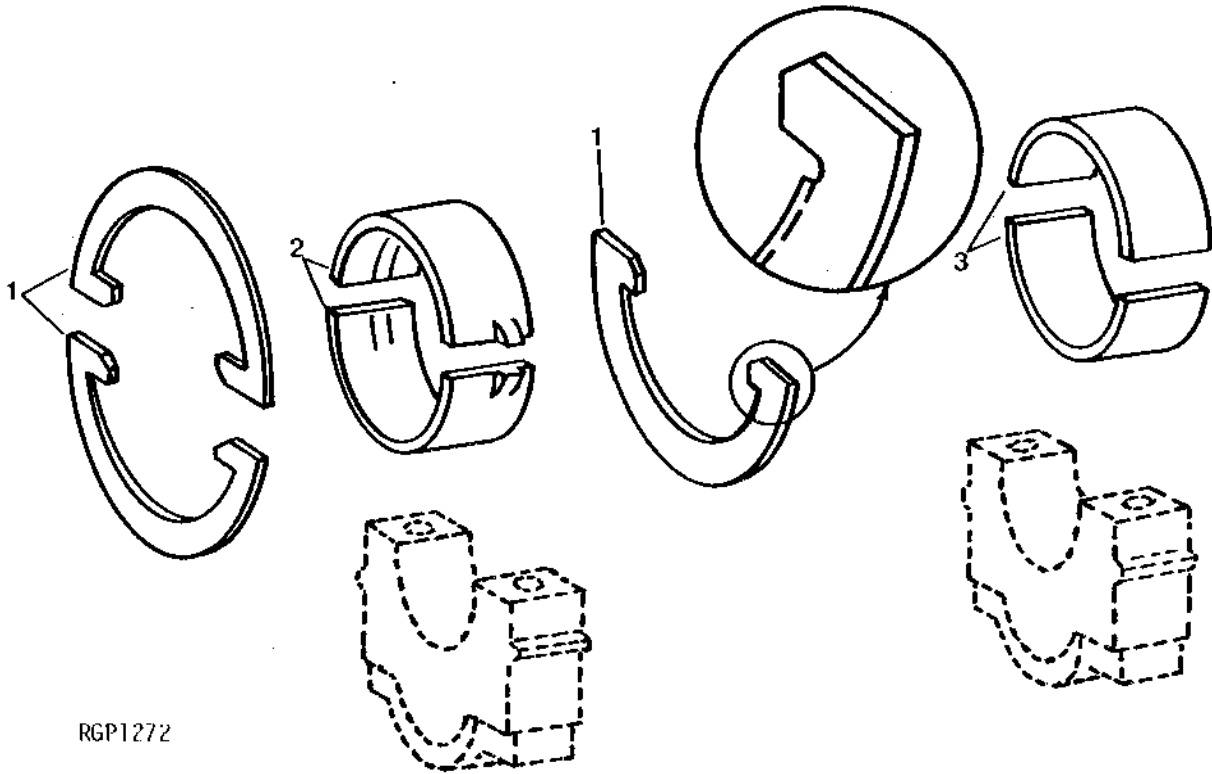
KEY	PART NO.	PART NAME	QTY	ENGINE SERIAL NO.	REMARKS
				8	
				4	
				0	
				0	
1	E1343FN	SNAP RING	12		X
2	R57771	PISTON PIN	6		X
3	R74008	BUSHING	6		X
4	R66452	CAP SCREW	12		X
5	R53292	SLEEVE	12		X
6	RE53154	CONNECTING ROD	6		X (MARKED R116340)
7	R116081	BEARING	AR		X STD PKG (2) (SUB FOR RE57165)
8	RE57188	PISTON RING	6		X
9	AR98850	KIT	6		X
10	RE62791	KIT	6	-002973	X (A) (MARKED RE60328, RE62640 OR RE65407) (SUB FOR RE57189) (LOW COMPRESSION) (SUB RE64509, APPL.)
	RE64509	KIT	6	002974-	X (MARKED RE64170 OR RE65289) (HIGH COMPRESSION)
11	R93948	SHIM	2		X 0.05MM (.002") (MAX.)

(A) ORDER (6) RE64509 IF REPLACING ALL SIX OR RE67677 OVERHAUL KIT.

1H18

ENGINE

MAIN AND MAIN THRUST BEARINGS
 PALIERS PRINCIPAUX
 HAUPTLAGER
 CUSCINETTI PRINCIPALI
 COJINETES DE BANCADA
 RAMLAGER
 RGP1272 -UN-01JAN94

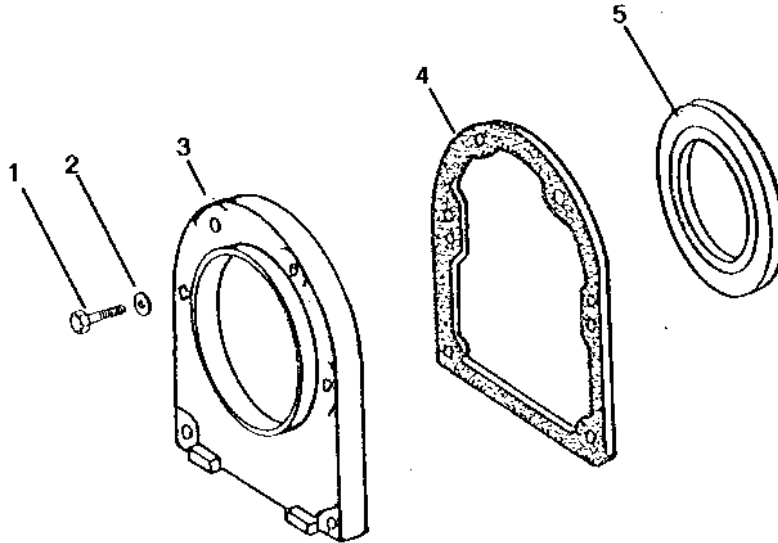


KEY	PART NO.	PART NAME	QTY	ENGINE SERIAL NO.	REMARKS
				8	
				4	
				0	
				0	
1	RE61253	THRUST WASHER	1		X STD (PKG (3) R124381)
	RE61851	THRUST WASHER	1		X 0.18 MM (.007") (PKG (3) R124842)
2	RE57175	THRUST BEARING	1		X STD (PKG R116084 AND R116085)
	RE57177	THRUST BEARING	1		X 0.292 MM (.011") (PKG R121350 AND R121354)
	RE57178	THRUST BEARING	1		X 0.552 MM (.022") (PKG R121351 AND R121355)
3	RE57170	BEARING	AR		X STD (PKG R116082 AND R116083)
	RE57172	BEARING	AR		X 0.292 MM (.011") (PKG R121342 AND R121346)
	RE57173	BEARING	AR		X 0.552 MM (.022") (PKG R121343 AND R121347)

1H19

ENGINE

CRANKSHAFT OIL SEAL AND HOUSING
 JOINT A LEVRE ET CARTER DE VILEBREQUIN (6081)
 KURBELWELLENDICHTRING UND GEHAEUSE (6081)
 ANELLO DI TENUTA E CARCASSA DELL'ALBERO A GOMITI (6081)
 RETEN Y CARACASA DEL ACEITE CIGUENAL (6081)
 VEVAXELNS TAETNINGSRING OCH HUS (6081)
 RGP2382 -UN-01JAN94



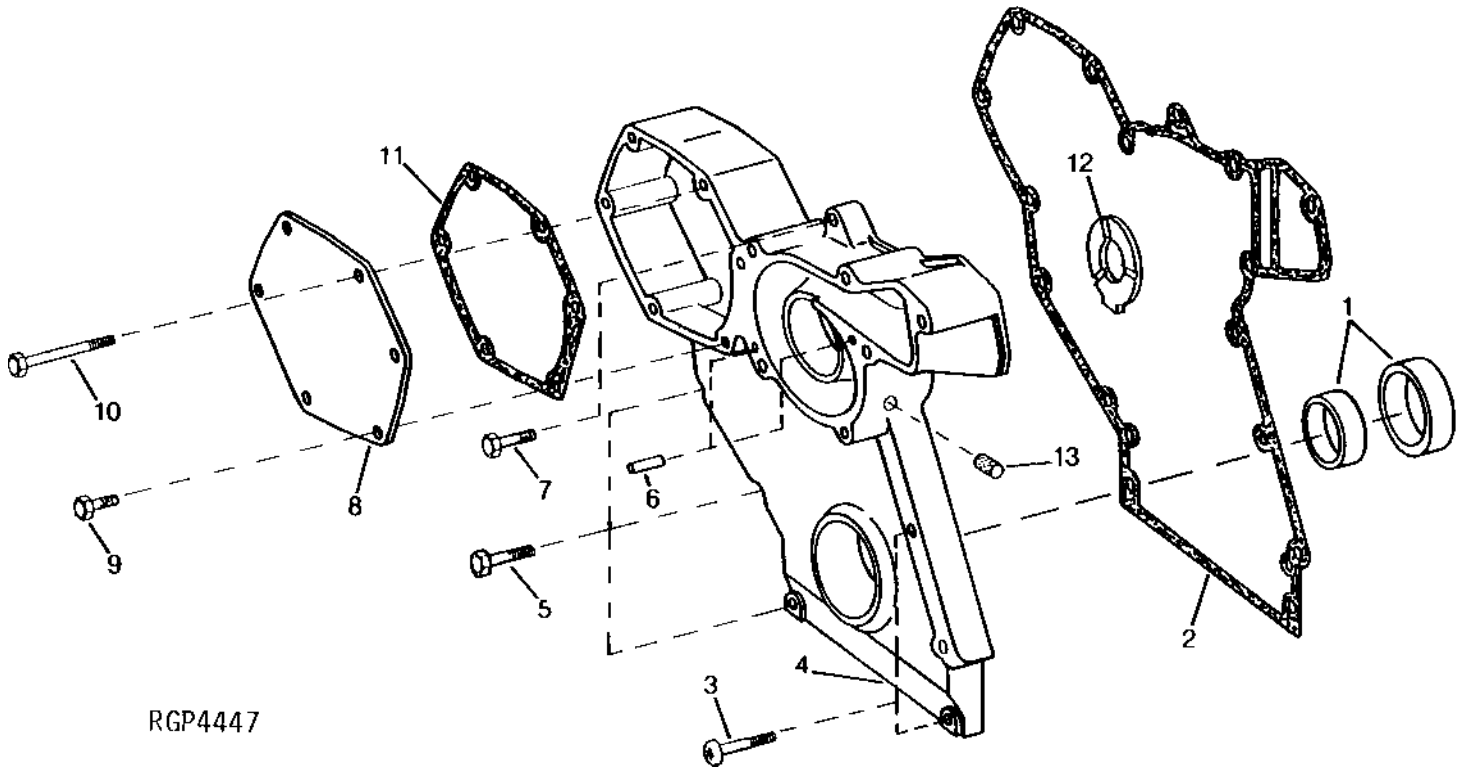
RGP2382

KEY	PART NO.	PART NAME	QTY	ENGINE SERIAL NO.	REMARKS
				8	
				4	
				0	
				0	
1	R47074	CAP SCREW	6	X	7.925 X 28.448 MM (5/16" X 1.120")
2	T27860	WASHER	6	X	11/32" X 11/16" X 0.065"
3	R125027	HOUSING	1	X	
4	R26058	GASKET	1	X	
5	RE22764	SEAL	1	X	

1H20

ENGINE

TIMING GEAR COVER AND FRONT OIL SEAL
 COUVERCLE DE DISTRIBUTUIN
 STEUERGEHAEUSE
 COPERCHIO DISTRIBUZIONE
 TAPA DE LA DISTRIBUCION
 TIDJULSKAPA
 RGP4447 -UN-28FEB95



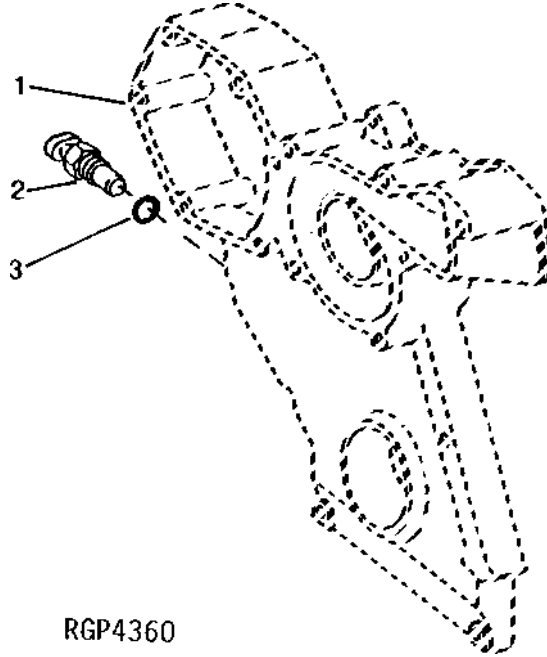
RGP4447

KEY	PART NO.	PART NAME	QTY	ENGINE SERIAL NO.	REMARKS
				8	
				4	
				0	
				0	
1	AR49025	SEAL	1	X	
2	R119384	GASKET	1	X	
3	R115129	CAP SCREW	3	X	
4	R119381	COVER	1	X	
5	R104859	CAP SCREW	3	X	
6	R11086	DOWEL PIN	2	X	
7	19H3693	CAP SCREW	1	X	3/8" X 1-1/4"
8	R50393	COVER	1	X	
9	R112268	CAP SCREW	1	X	
10	R104861	CAP SCREW	5	X	
11	R50390	GASKET	1	X	
12	R104656	THRUST WASHER	1	X	
13	R98527	FILTER	1	X	

1H21

ENGINE

MAGNETIC PICK-UP
 OUTIL AIMANTE A MANCHE
 MAGNETISCHER MESSWERTGEBER
 CALAMITA RACCATTAPPEZZI
 CAPTADOR MAGNETICO
 MAGNETISK GIVARE
 RGP4360 -UN-01JAN94



RGP4360

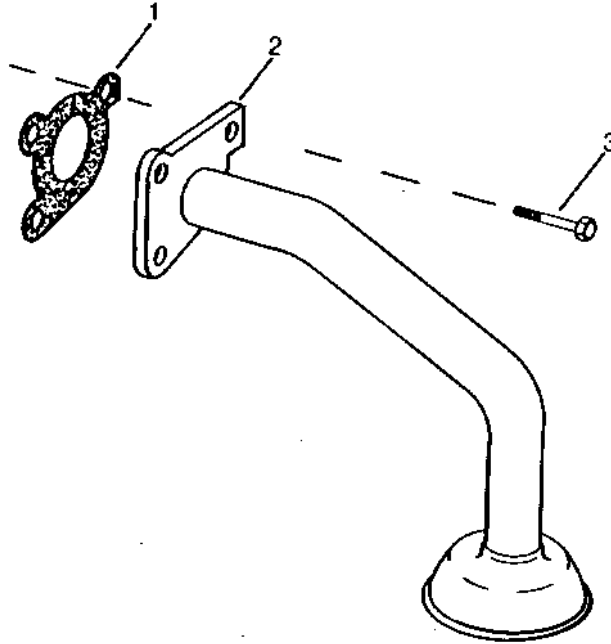
KEY	PART NO.	PART NAME	QTY	ENGINE SERIAL NO.	REMARKS
1	COVER	1	8	X
2	RE71121	SENSOR	1	4	X (SUB FOR RE43511)
3	51M7044	O-RING	1	0	X 17.300 X 2.200 MM, (SUB FOR R54856, APPL)

MEMORANDA
MEMORANDA
MEMORANDA
MEMORANDA
MEMORANDA

1H22

ENGINE

ENGINE OIL PUMP INTAKE (8400)
 ADMISSION DE LA POMPE A HUILE MOTEUR (8400)
 MOTOROELPUMPENEINLASS (8400)
 ASPIRAZIONE DELLA POMPA DELL'OLIO DEL MOTORE (8400)
 ADMISION DE LA BOMBA DE ACEITE DEL MOTOR (8400)
 MOTOROLJEPUMP, INSUGNING (8400)
 RGP3629 -UN-01JAN94



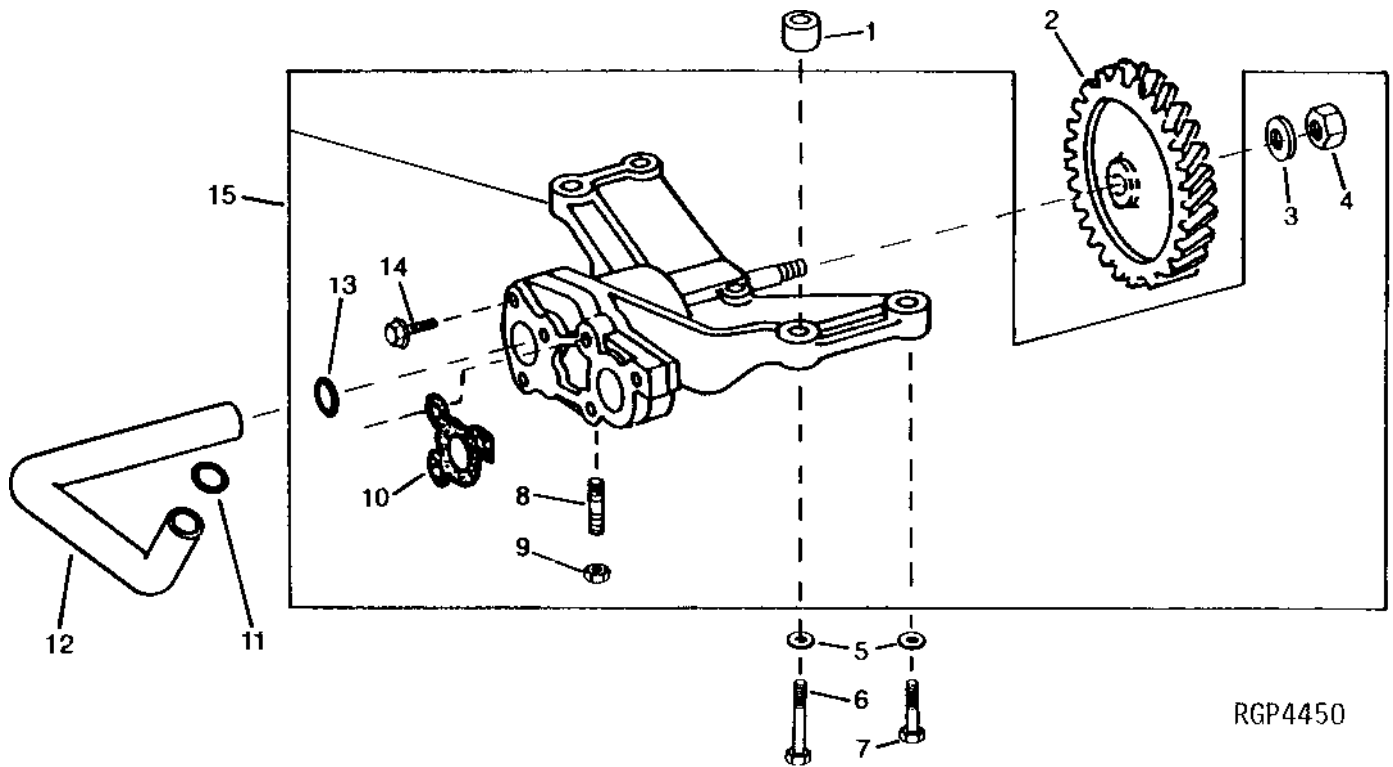
RGP3629

KEY	PART NO.	PART NAME	QTY	ENGINE SERIAL NO.	REMARKS
1	R100569	GASKET	1	8	X
2	RE60546	OIL PUMP INTAKE	1	4	X
3	R104628	CAP SCREW	3	0	X

1H23

ENGINE

ENGINE OIL PUMP
POMPE A HUILE
OELPUMPE
POMPA OLIO
BOMBA DE ACEITE
BOMBA DE ACEITE
RGP4450 -UN-03MAR95



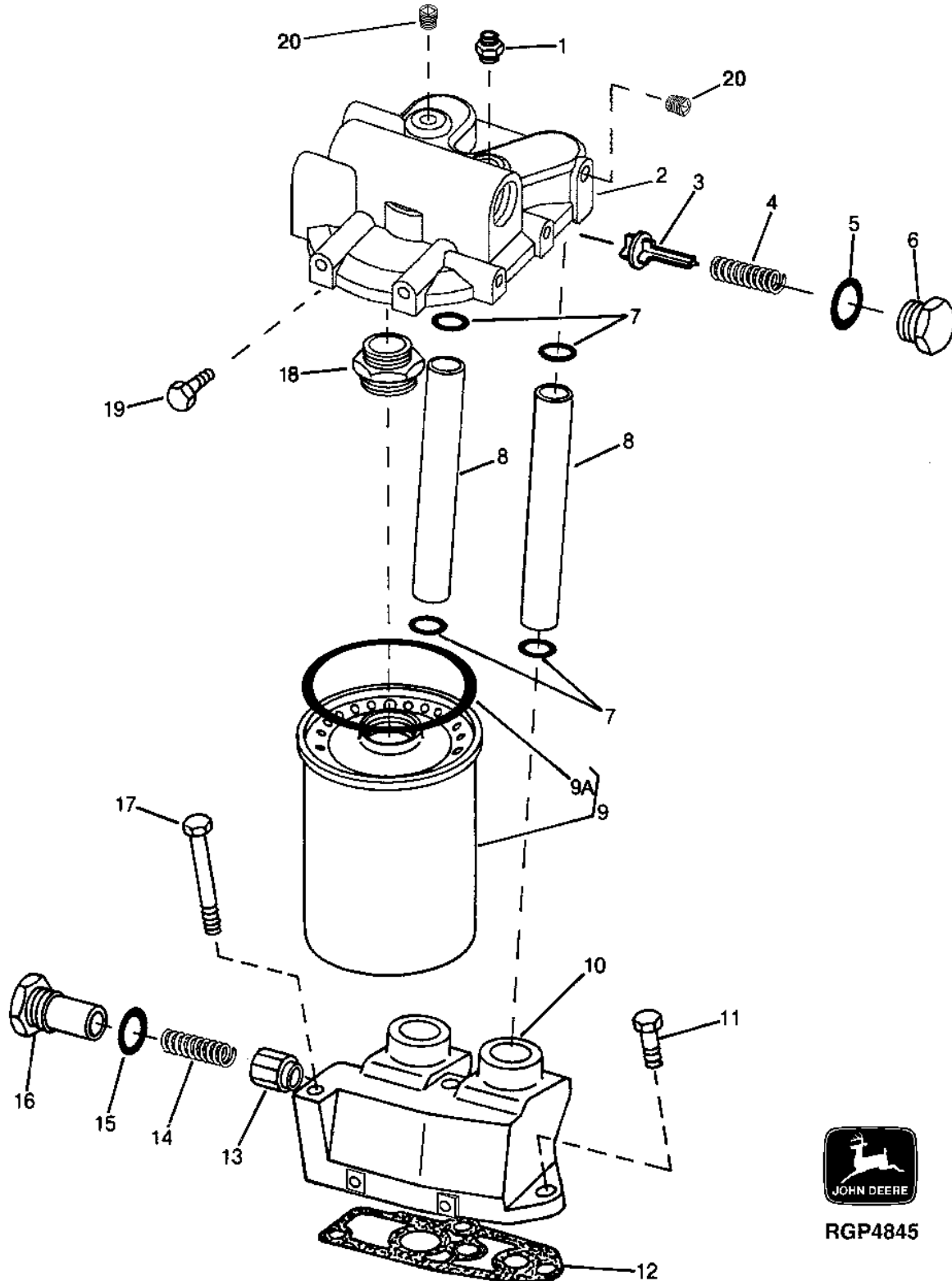
RGP4450

1H24

ENGINE

KEY	PART NO.	PART NAME	QTY	ENGINE SERIAL NO.	REMARKS
				8	
				4	
				0	
				0	
1	R500642	BUSHING	2	X	(SUB FOR R62930, THIS APPLICATION)
2	R62938	GEAR	1	X	
3	T21242	WASHER	1	X	
4	14H826	NUT	1	X	1/2"
5	R57696	WASHER	4	X	
6	19H2549	CAP SCREW	2	X	3/8" X 1-7/8"
7	19H3219	CAP SCREW	2	X	3/8" X 1-3/8"
8	22H1040	SET SCREW	1	X	5/16" X 1-1/4"
9	14H785	NUT	1	X	5/16"
10	R100569	GASKET	1	X	
11	R71732	O-RING	1	X	
12	R116718	OIL TUBE	1	X	
13	R71732	O-RING	1	X	
14	R104628	CAP SCREW	5	X	
15	RE60622	OIL PUMP	1	X	(MARKED R124328) (SUB FOR RE44118, APPL)

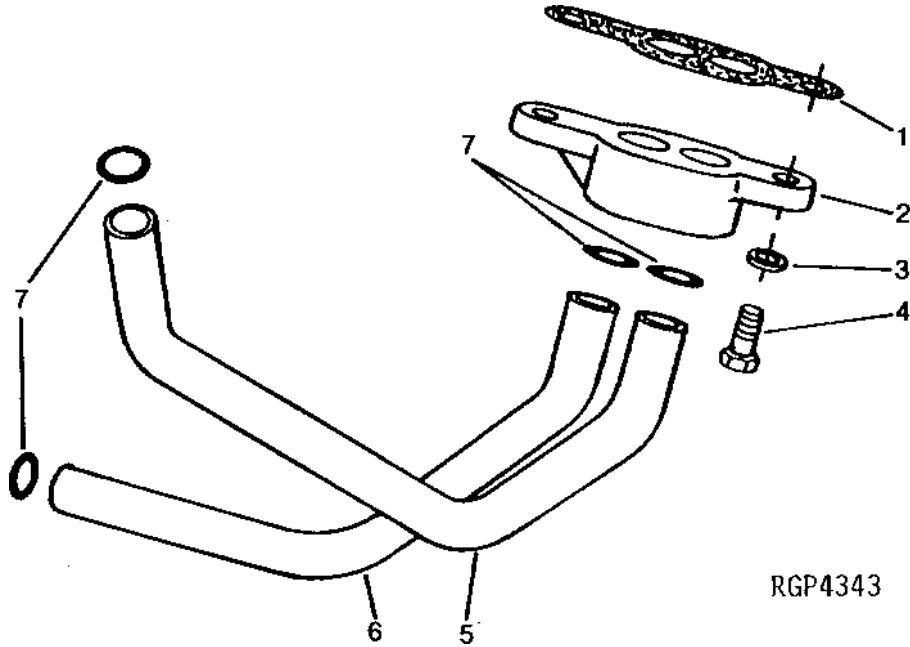
ENGINE OIL FILTER AND HOUSING
 FILTRE A HUILE MOTEUR
 MOTOROELFILTER
 FILTRO OLIO MOTORE
 FILTRO DE ACEITE DEL MOTOR
 MOTOROLJEFILTER
 RGP4845 -UN-18DEC96



RGP4845

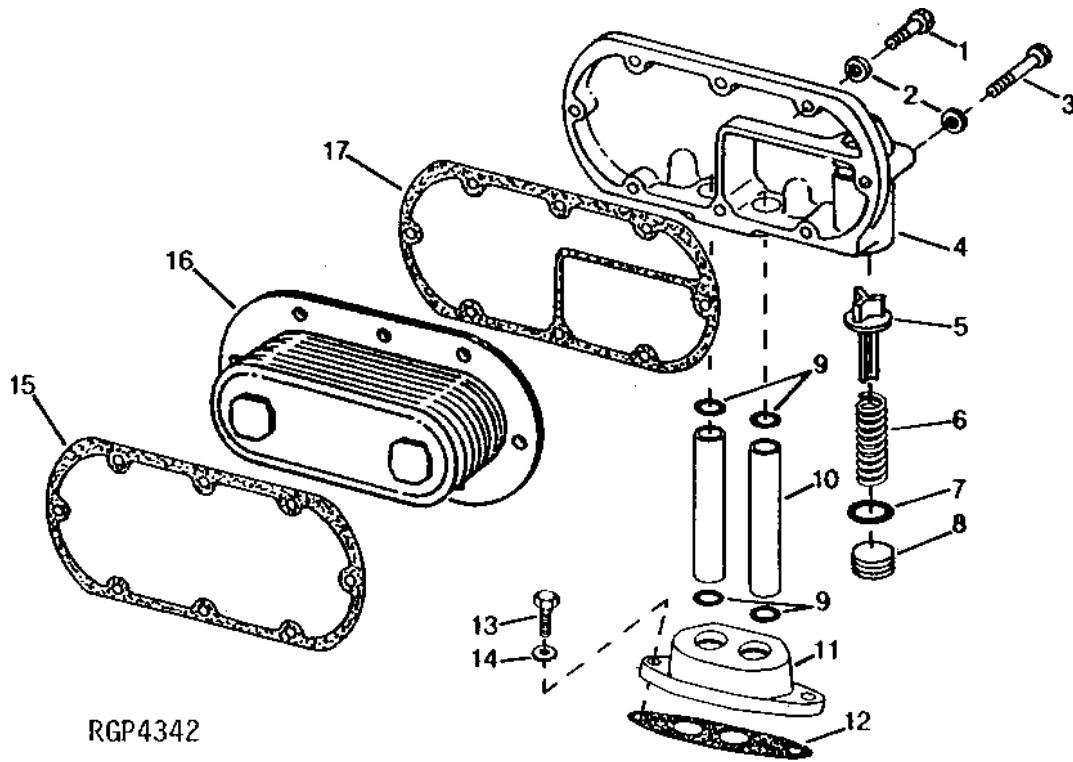
KEY	PART NO.	PART NAME	QTY	ENGINE SERIAL NO.	8 4 0 0	REMARKS
1	RE58294	CONNECTOR	1		X	
2	R127415	BASE	1		X	(SUB FOR R116464) (SUB R128694 AND (2) R104592)
	R128694	BASE	1		X	
3	R108867	VALVE	1		X	
4	R98064	SPRING	1		X	
5	U17409	O-RING	1		X	
6	R117073	FITTING PLUG	1		X	
7	R47153	O-RING	4		X	
8	R86063	TUBE	2		X	
9	RE57394	OIL FILTER	1		X	(MARKED RE57394)
9A	R43660	PACKING	1		X	
10	R116231	HOUSING	1	-000487	X	(SUB R129820 AND R129821)
	R127235	HOUSING	1	000488-XXXXXX	X	(SUB R129820 AND R129821)
	R129820	HOUSING	1	XXXXXX-	X	(USE WITH R129821)
11	19H3239	CAP SCREW	1		X	3/8" X 1-1/4"
12	R119847	GASKET	1		X	
13	R124186	RELIEF VALVE	1		X	
14	R102844	SPRING	1	-024534	X	(SUB R500330)
	R500330	SPRING	1	024535-	X	
15	U17409	O-RING	1		X	
16	R117074	FITTING PLUG	1	-000487	X	(USE WITH R116231)
	R127236	FITTING PLUG	1	000488-XXXXXX	X	(USE WITH R127235)
	R129821	FITTING PLUG	1	XXXXXX-	X	(USE WITH R129820)
17	19H3445	CAP SCREW	2		X	3/8" X 3-3/4"
18	R104621	ADAPTER	1		X	
19	19H3104	CAP SCREW	2		X	7/16" X 1-1/4"
20	R104592	PIPE PLUG	2		X	

OIL COOLER BYPASS VALVE
 BY-PASS DE REFROIDISSEUR
 OELKUEHLER-UMGEHUNGSVENTIL
 VALVOLA BY-PASS PER REFFREDDATORE OLIO
 VALVULA DE DERIVACION DEL RADIADOR
 OLJEKYLARENS FORBISTROMNINGSVENTIL
 RGP4343 -UN-01JAN94



KEY	PART NO.	PART NAME	QTY	ENGINE SERIAL NO.	REMARKS
1	R109625	GASKET	1		X
2	R116233	ADAPTER	1		X
3	24H7096	WASHER	NA		X
4	R40236	CAP SCREW	2		X
5	R126337	OIL TUBE	1		X (SUB FOR R116719)
6	R116718	OIL TUBE	1		X
7	R71732	O-RING	4		X

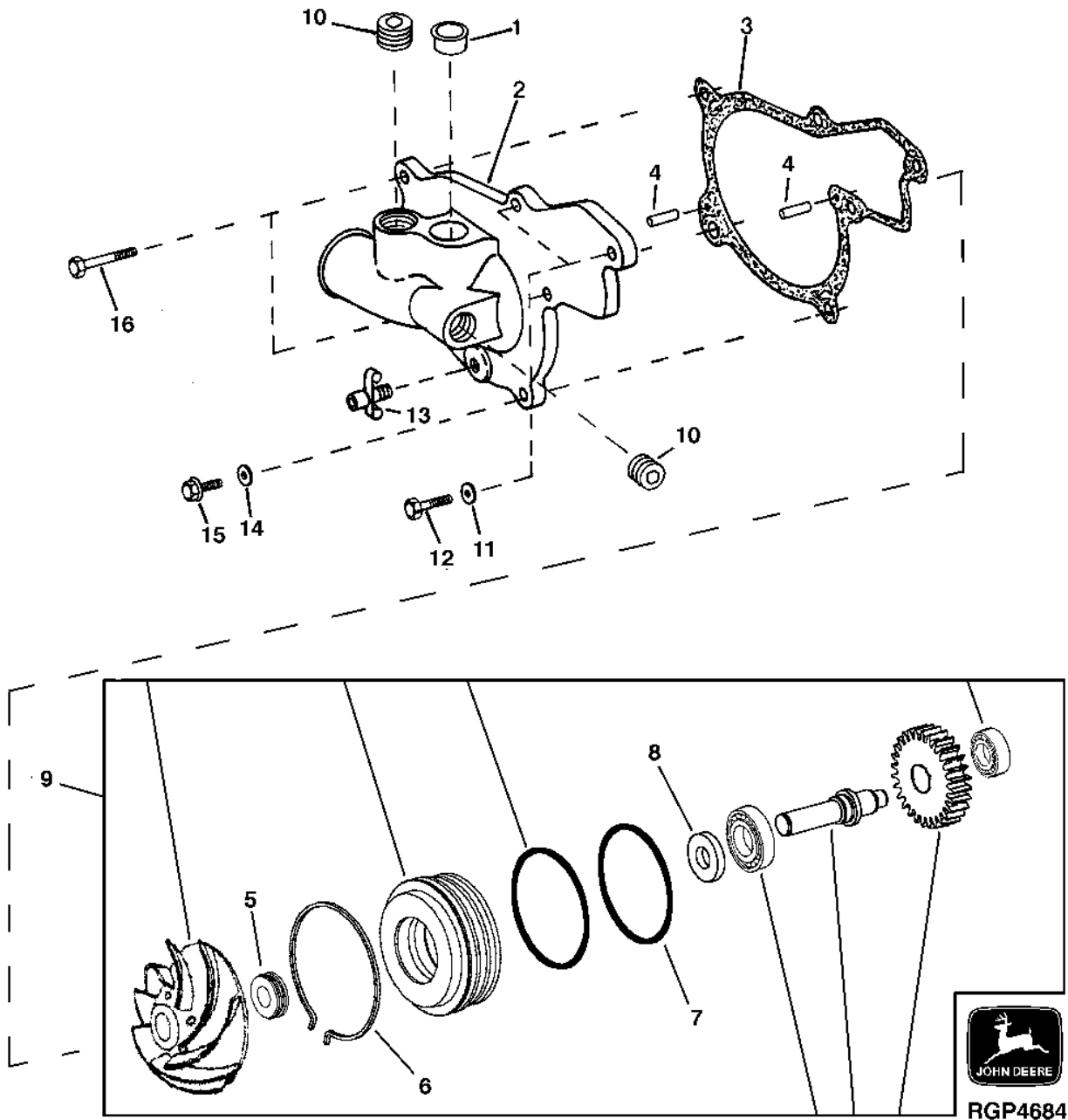
ENGINE OIL COOLER (8400)
 REFROIDISSEUR D'HUILE MOTEUR (8400)
 MOTOR-OELKUELER (8400)
 RAFFREDDATORE OLIO MOTORE (8400)
 REFRIGERADOR DEL ACEITE DEL MOTOR (8400)
 MOTOROLJEKYLARE (8400)
 RGP4342 -UN-01JAN94



RGP4342

KEY	PART NO.	PART NAME	QTY	ENGINE SERIAL NO.	REMARKS
				8	
				4	
				0	
				0	
1	19H2661	CAP SCREW	5	X	5/16" X 1-3/8"
2	24M7055	WASHER	8	X	8.400 X 16 X 1.600 MM
3	19H1949	CAP SCREW	3	X	5/16" X 2-1/2"
4	R133135	COVER	1	X	(SUB FOR R116237)
5	R108867	VALVE	1	X	
6	R98064	SPRING	1	X	
7	U17409	O-RING	1	X	
8	R121163	FITTING PLUG	1	X	
9	R47153	O-RING	4	X	
10	R51053	OIL TUBE	2	X	(SUB FOR R124208)
11	R127297	ADAPTER	1	X	(SUB FOR R121200)
12	R50424	GASKET	2	X	
13	19H3483	CAP SCREW	2	X	3/8" X 1-1/8"
14	24M7096	WASHER	2	X	10.500 X 18 X 1.600 MM
15	AR58952	GASKET	1	X	
16	AR55394	OIL COOLER	1	X	
17	R117060	GASKET	1	X	

WATER PUMP
POMPE A EAU
WASSERPUMPE
POMPA ACQUA
BOMBA DE AQUA
VATTENPUMP
RGP4684 -UN-01JUN96



RGP4684

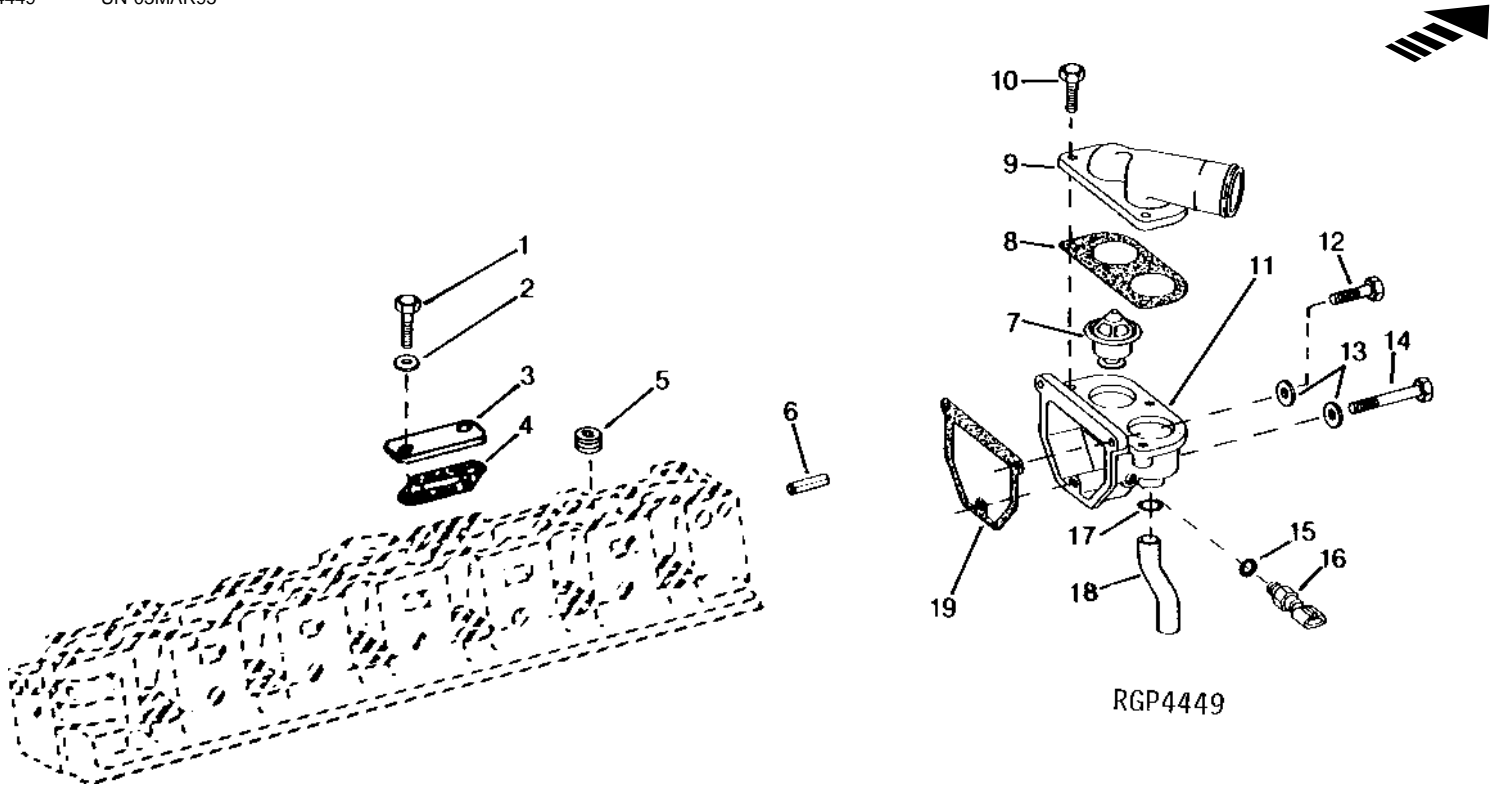
116

ENGINE

KEY	PART NO.	PART NAME	QTY	ENGINE SERIAL NO.	8 4 0 0	REMARKS
1	RE57190	SEAL	1		X	
2	R120523	COVER	1		X	
3	R119383	GASKET	1		X	
4	R11086	DOWEL PIN	2		X	
5	RE69844	KIT	1		X	(SUB FOR RE55992) (SUB RE502154, THIS APPLICATION)
6	R121316	RING	1		X	(RETAINING)
7	R122430	O-RING	2		X	
	RE502154	KIT	1		X	(CONTAINS RETAINING RING AND (2) O-RINGS)
8	RE39134	SEAL	1		X	(OIL)
9	RE57154	WATER PUMP	1		X	(MARKED RE57154) (16 TEETH)
10	15H624	PIPE PLUG	2		X	1/2"
11	24M7096	WASHER	3		X	10.500 X 18 X 1.600 MM
12	19H1854	CAP SCREW	3		X	3/8" X 3-3/4"
13	AT13740	DRAIN VALVE	1		X	
14	24H1136	WASHER	1		X	11/32" X 11/16" X 0.065"
15	19H1897	CAP SCREW	1		X	5/16" X 3-3/4"
16	19H3411	CAP SCREW	2		X	3/8" X 1-1/8"
..	R98527	FILTER	1		X	(CONTAINED IN RE69844)

MEMORANDA
MEMORANDA
MEMORANDA
MEMORANDA
MEMORANDA

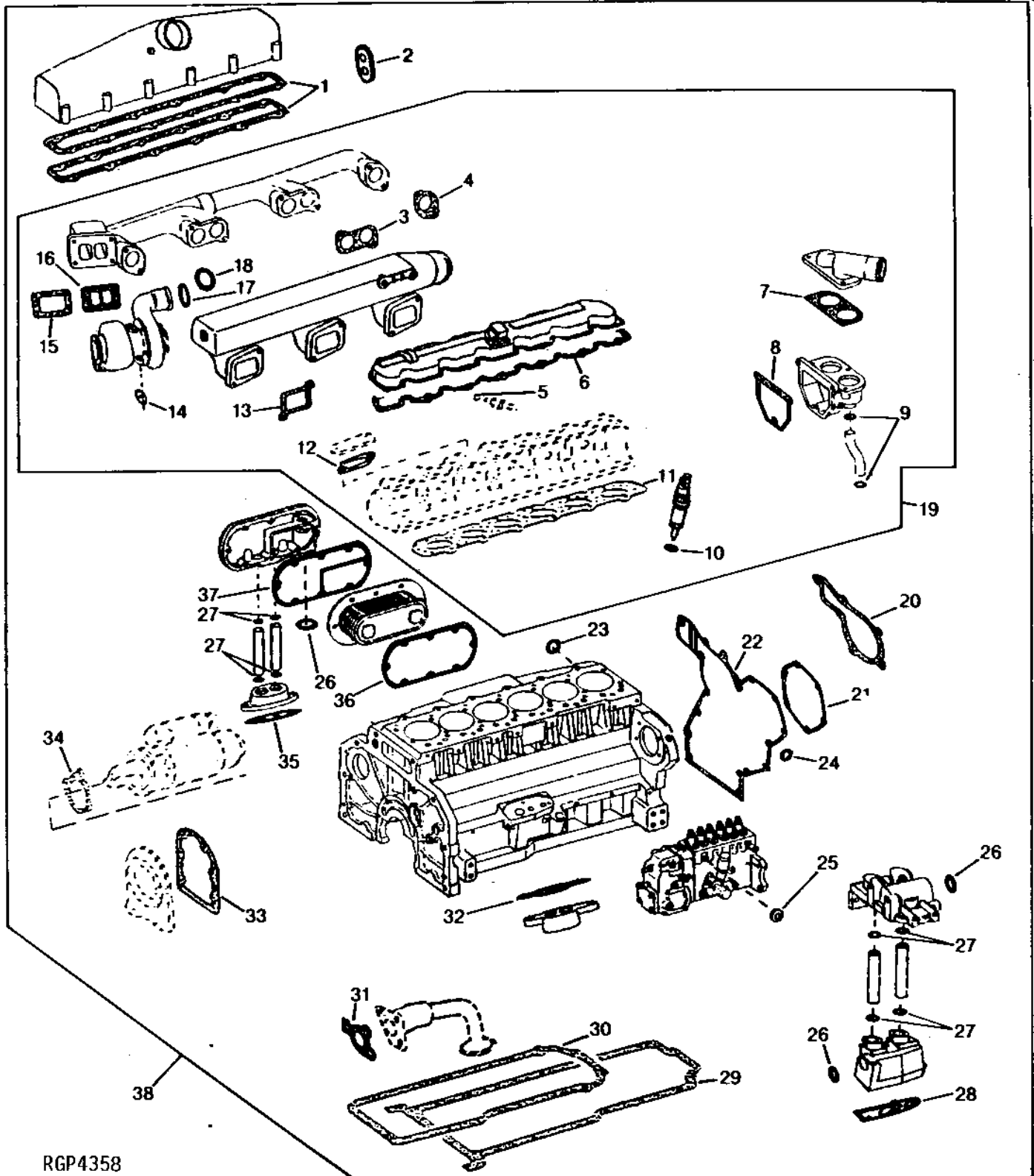
WATER MANIFOLD AND THERMOSTAT
 PIPE D'EAU/THERMOSTAT
 KUEHLWASSERKRUEMMER/THERMOSTAT
 COLLETTORE DELL'ACQUA/TERMOSTATO
 COLECTOR DEL AGUA DE REFRIGERACION/TERMOSTATO
 VATTENMANTEL/TERMOSTAT
 RGP4449 -UN-03MAR95



RGP4449

KEY	PART NO.	PART NAME	QTY	ENGINE SERIAL NO.	REMARKS
				8	
				4	
				0	
				0	
1	19H2284	CAP SCREW	4	X	3/8" X 7/8"
2	24H1305	WASHER	4	X	13/32" X 13/16" X 0.065"
3	R86061	STRAP	2	X	
4	R88397	GASKET	2	X	
5	15H691	PIPE BUSHING	1	X	1/8"
6	34H329	SPRING PIN	1	X	
7	AR48675	THERMOSTAT	2	X	82°C (180°F)
8	R124607	GASKET	1	X	
9	R122196	COVER	1	X	
10	19H2284	CAP SCREW	3	X	3/8" X 7/8"
11	R122195	HOUSING	1	X	
12	19H3483	CAP SCREW	2	X	3/8" X 1-1/8"
13	24M7096	WASHER	3	X	10.500 X 18 X 1.600 MM
14	19H1819	CAP SCREW	1	X	3/8" X 2-1/8"
15	R77673	O-RING	1	X	
16	RE151433	WATER TEMPERATURE SENSOR	1	X	(SUB FOR RE48073)
17	R72328	O-RING	1	X	
18	R120022	TUBE	1	X	
19	R124211	GASKET	1	X	

ENGINE GASKET KITS
 JEU DE JOINTS MOTEUR
 MOTOR-DICHTUNGSSATZ
 SERIE GUARNIZIONI MORORE
 JUEGO DE JUNTAS PARA EL MOTOR
 PACKNINGSSATS FOR MOTOR
 RGP4358 -UN-01JAN94

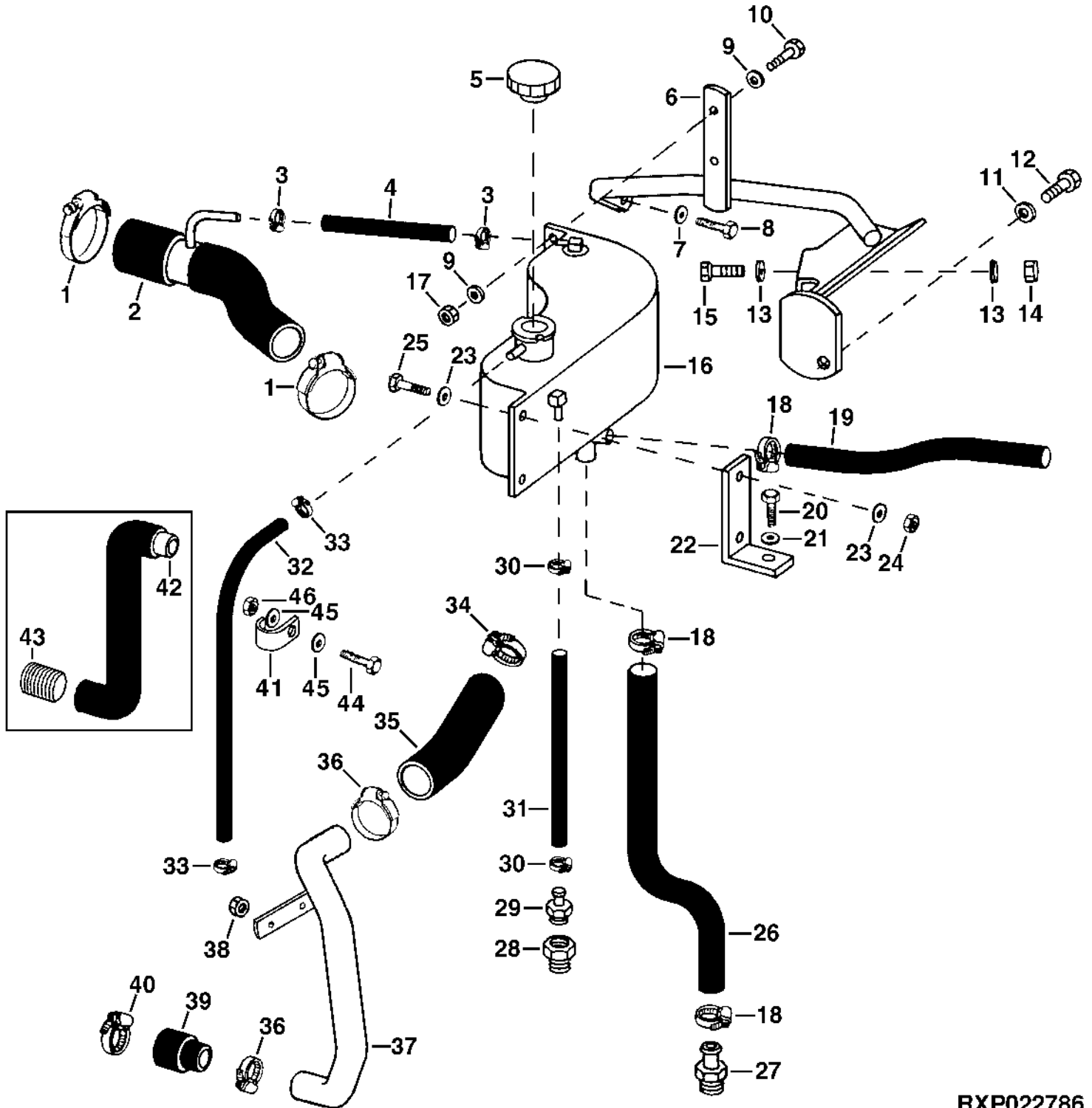


RGP4358

KEY	PART NO.	PART NAME	QTY	ENGINE SERIAL NO.	REMARKS
				8	
				4	
				0	
				0	
1	R88993	GASKET	NA		X
2	R100911	SEAL	NA		X
3	RE62776	GASKET	2		X (SUB FOR R122503, APPL)
4	RE62777	GASKET	2		X (SUB FOR R122504, APPL)
5	R77551	O-RING	6		X
6	R49866	GASKET	1		X
7	R124607	GASKET	1		X
8	R124211	GASKET	1		X
9	R72328	O-RING	1		X
10	R84472	WASHER	6		X
11	RE55475	ENGINE CYLINDER HEAD GASKET	1		X
12	R88397	GASKET	2		X
13	R120646	GASKET	3		X
14	R105346	GASKET	1		X
15	R92097	GASKET	NA		X
16	R89879	GASKET	1		X
17	R86743	O-RING	1		X
18	R50405	O-RING	NA		X
19	RE57186	GASKET KIT	1		X CYLINDER HEAD
20	R119383	GASKET	1		X
21	R50390	GASKET	1		X
22	R119384	GASKET	1		X
23	U13639	O-RING	1		X
24	R54856	O-RING	1		X
25	R53899	WASHER	1		X (USE WITH R83489)
	R53901	WASHER	1		X (USE WITH R83490)
26	U17409	O-RING	3		X
27	R47153	O-RING	4		X
28	R119847	GASKET	1		X
29	GASKET	NA		X
30	R49377	GASKET	1		X
31	R100569	GASKET	1		X
32	R109625	GASKET	1		X
33	R26058	GASKET	1		X
34	R53108	GASKET	1		X
35	R50424	GASKET	1		X
36	AR58952	GASKET	1		X
37	R117060	GASKET	1		X
38	RE57187	GASKET KIT	1		X (A) ENGINE REBUILD
..	R124030	GASKET	1		X

(A) ALSO ORDER R125855 OIL PAN GASKET, AS REQUIRED.

RADIATOR HOSES
FLEXIBLES (DURITS) DE RADIATEUR
KUEHLERSSCHLAEUCE
TUBI FLESSIBILI DEL RADIATORE
MANGUERAS DEL RADIADOR
KYLARSLANGAR
RXP022786 -UN-25AUG98



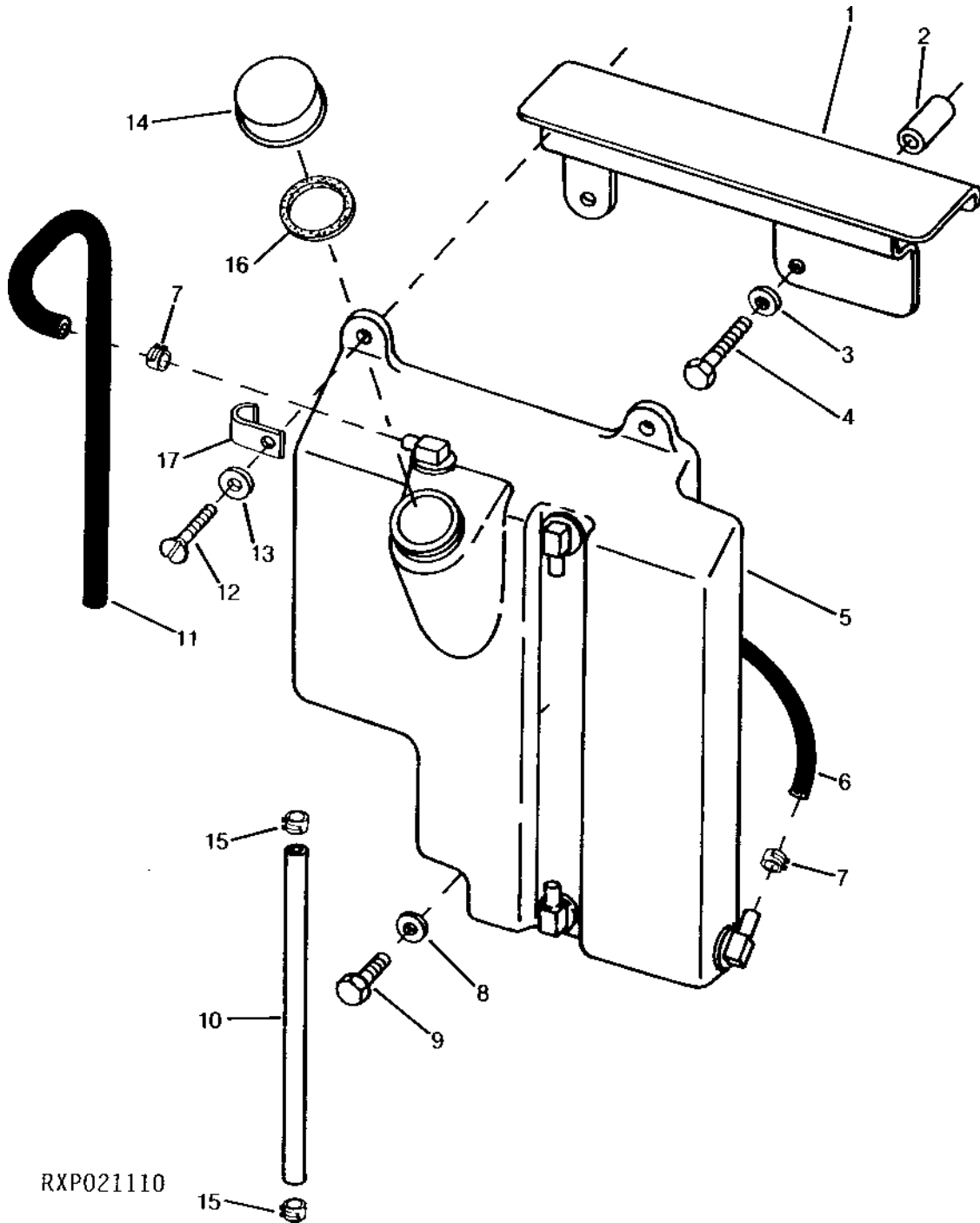
RXP022786

KEY	PART NO.	PART NAME	QTY	TRACTOR SERIAL NO.	A L L	REMARKS
1	TY22486	CLAMP	2		X	
2	RE61659	HOSE	1		X	
3	TY22462	CLAMP	2		X	(SUB FOR AR48236)
4	R125635	HOSE	1		X	
5	RE43593	FILLER CAP	1		X	
6	RE60649	SUPPORT	1		X	
7	24M7336	WASHER	2		X	9 X 16 X 1.600 MM
8	19M7407	CAP SCREW	2		X	M8 X 25
9	24M7036	WASHER	4		X	9 X 16 X 1.600 MM
10	19M7881	SCREW	2		X	M8 X 20
11	24M7338	WASHER	4		X	17 X 30 X 3 MM
12	RE10901	SCREW	1		X	
13	24M7036	WASHER	2		X	9 X 16 X 1.600 MM
14	14M7273	NUT	1		X	M8
15	19M7881	SCREW	1		X	M8 X 20
16	RE154389	TANK	1		X	(SUB FOR RE61879)
17	14M7273	NUT	2		X	M8
18	R117721	CLAMP	4		X	
19	R121969	HOSE	1		X	(A) (MAKE FROM TY22413)
20	19H1833	CAP SCREW	1		X	5/8" X 1-1/4"
21	24M7338	WASHER	1		X	17 X 30 X 3 MM
22	R121738	BRACKET	1		X	
23	24M7336	WASHER	4		X	9 X 16 X 1.600 MM
24	14M7273	NUT	2		X	M8
25	19M7881	SCREW	2		X	M8 X 20
26	R107666	HOSE	1	-009999		(8100, 8200, 8300)
	R125175	HOSE	1	010000-		(8100, 8200, 8300)
	R125175	HOSE	1			8400 ONLY
27	R41985	FITTING	1		X	
28	15H691	PIPE BUSHING	1		X	1/8"
29	E48764	FITTING	1		X	
30	N194814	CLAMP	2		X	
31	R111932	HOSE	1		X	
32	R125166	HOSE	1		X	
33	TY22462	CLAMP	2		X	
34	RE56098	CLAMP	1		X	
35	R131646	HOSE	1	010000-	X	
36	TY22485	CLAMP	2	010000-	X	
37	RE66801	TUBE	1	010000-	X	
38	14M7296	FLANGE NUT	2	010000-	X	
39	R131520	HOSE	1	010000-	X	
40	TY22486	CLAMP	1		X	
41	R126404	CLAMP	1		X	
42	RE61673	HOSE	1	-009999		(8100, 8200, 8300)
	RE61674	HOSE	1	-009999		8400 ONLY
43	R125365	BUSHING	2	-009999	X	
44	19M8008	CAP SCREW	2		X	
45	24M7338	WASHER	4		X	
46	14M7273	NUT	2		X	

(A) HEATER RETURN

CONDUIT, RETOUR DE CHAUFFAGE
 HEIZUNGS-RUECKLAUF
 TUBO DI RITORNO DEL RISCALDATORE
 RETORNO DEL CALENTADOR
 VAERMEAPPARAT, RETUR

COOLANT RECOVERY TANK
 RESERVOIR DE COMPENSATION, LIQUIDE DE REFROIDISSEMENT
 KUEHLMITTEL-UEBERLAUFTANK
 SERBATOIO DI RECUPERO DEL LIQUIDO DI RAFFREDDAMENTO
 TANQUE DE RECUPERACION DE REFRIGERANTE
 AATERVINNINGSTANK FOER KYLMEDEL
 RXP021110 -UN-28MAR95



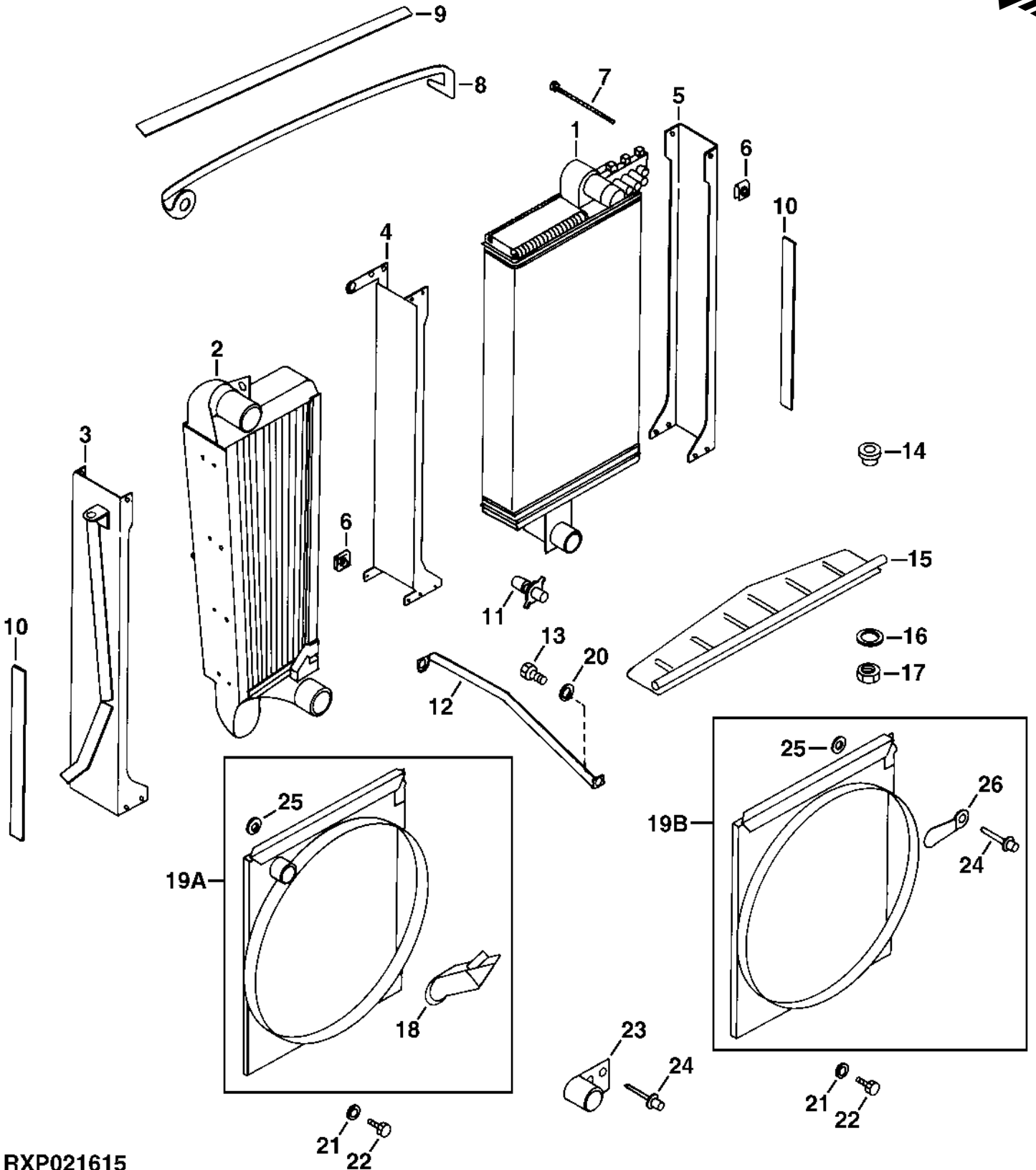
RXP021110

1113

ENGINE

KEY	PART NO.	PART NAME	QTY	TRACTOR SERIAL NO.	A	REMARKS
					L	
1	R124354	BRACKET	1		X	
2	28H3377	BUSHING	2		X	0.423" X 0.675" X 1-3/4"
3	24M7106	WASHER	2		X	10 X 18 X 2.500 MM
4	19H3031	CAP SCREW	2		X	3/8" X 2-1/2"
5	RE65458	TANK	1		X	(SUB FOR RE61394 OR RE65457)
6	R125166	HOSE	1		X	
7	TY22462	CLAMP	2		X	
8	24M7106	WASHER	1		X	0.394" X 0.709" X 0.098"
9	19H1936	CAP SCREW	1		X	3/8" X 3/4"
10	R121759	LINE	1		X	
11	R125170	HOSE	1		X	
12	37M7031	SCREW	2		X	M6 X 16
13	24M7139	WASHER	1		X	6.400 X 18 X 1.600 MM (REAR)
14	RE63194	FILLER CAP	1		X	(SUB FOR RE49661)
15	TY22462	CLAMP	2		X	
16	R127245	GASKET	NA	-XXXXXX	X	
17	R126404	CLAMP	1		X	
	AH107416	CLIP	1		X	
..	R121762	CABLE	1		X	

RADIATOR/AFTERCOOLER
 RADIATEUR/ECHANGEUR THERMIQUE AIR/EAU
 KUEHLER/LADELUFTKUEHLER
 RADIATORE/REFRIGERATORE SUCCESSIVO
 RADIADOR/POSREFRIGERADOR
 KYLAARE/MELLANKYLARE
 RXP021615 -UN-31JUL96



RXP021615

1115

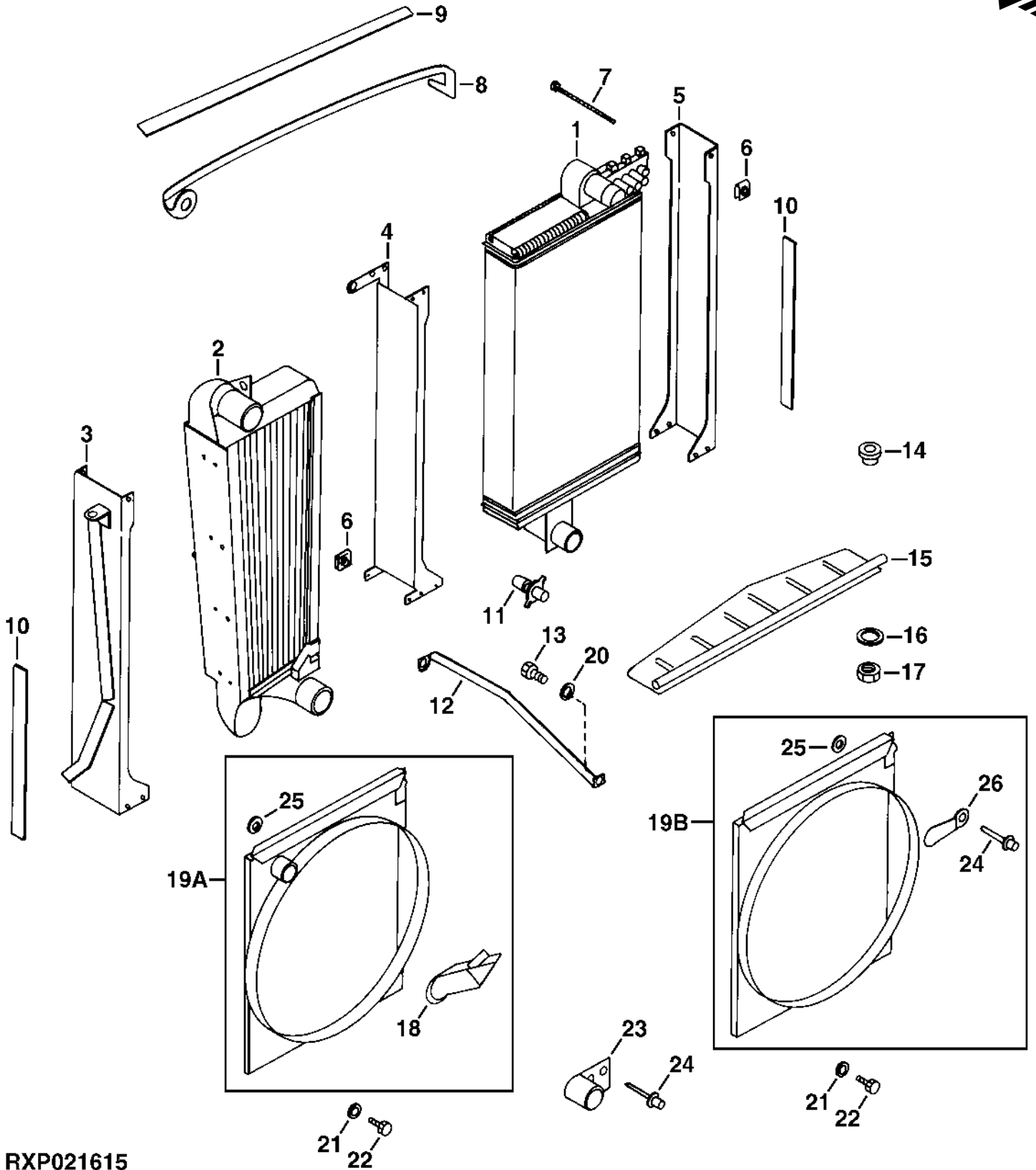
ENGINE

KEY	PART NO.	PART NAME	QTY	TRACTOR SERIAL NO.			REMARKS
				8	8	8	
1	RE69135	RADIATOR	1		X	X	(SUB FOR RE61305)
	RE69135	RADIATOR	1	-025859		X	
	R122268	RADIATOR TOP	1		X	X	
	R122268	RADIATOR TOP	1	-025859		X	
	RE58362	BOTTOM	1		X	X	BOTTOM TANK
	RE58362	BOTTOM	1	-025859		X	
	R122269	GASKET	2		X	X	
	R122269	GASKET	1	-025859		X	
	RE159541	RADIATOR	1	025860-		X	
2	RE61307	AFTERCOOLER	1	-009999	X	X	X
	RE66342	AFTERCOOLER	1	010000-	X	X	
	RE66342	AFTERCOOLER	1	010000-025859		X	
	RE61307	AFTERCOOLER	1	025860-		X	
3	RE69133	CHANNEL	1		X	X	X (SUB FOR RE54925)
4	RE70715	CHANNEL	1		X	X	X (SUB FOR RE54927)
5	RE69134	CHANNEL	1		X	X	X (SUB FOR RE54928)
6	R122267	CLAMP	4		X	X	X
7	R122266	PIN	4		X	X	X
8	RE60504	PLATE	1		X	X	X
9	R122550	SEAL	1		X	X	X
10	R122029	SEAL	3		X	X	X
11	AT13740	DRAIN VALVE	1		X	X	X
12	R120522	BRACKET	1		X	X	X
13	19H2021	CAP SCREW	1		X	X	X 3/8" X 5/8"
14	AT139776	ISOLATOR	2		X	X	X
15	RE70714	SUPPORT	1		X	X	X (SUB FOR RE54930)
	R124759	FOAM PAD	1		X	X	X
16	24M7180	WASHER	2		X	X	X 13 X 37 X 3 MM
17	14M7275	NUT	2		X	X	X M12
18	R121714	SHROUD	1	-009999	X	X	X
19A	RE61220	SHROUD	1	-009999	X	X	X
19B	RE69082	SHROUD	1	010000-	X	X	X
20	24M7346	WASHER	1		X	X	X 11 X 20 X 2 MM
21	24H1291	WASHER	4		X	X	X 21/64" X 1-15/32" X 7/64"
22	19M7932	CAP SCREW	4		X	X	X M8 X 16
23	R122473	TUBE	1	-009999	X	X	X
24	M67889	RIVET	3		X	X	X
25	24M7027	WASHER	3		X	X	X 5.300 X 10 X 1 MM
26	R134058	SHROUD	1	010000-	X	X	X

1116

ENGINE

RADIATOR/AFTERCOOLER
RADIATEUR/ECHANGEUR THERMIQUE AIR/EAU
KUEHLER/LADELUFTKUEHLER
RADIATORE/REFRIGERATORE SUCCESSIVO
RADIADOR/POSREFRIGERADOR
KYLAARE/MELLANKYLARE
RXP021615 -UN-31JUL96



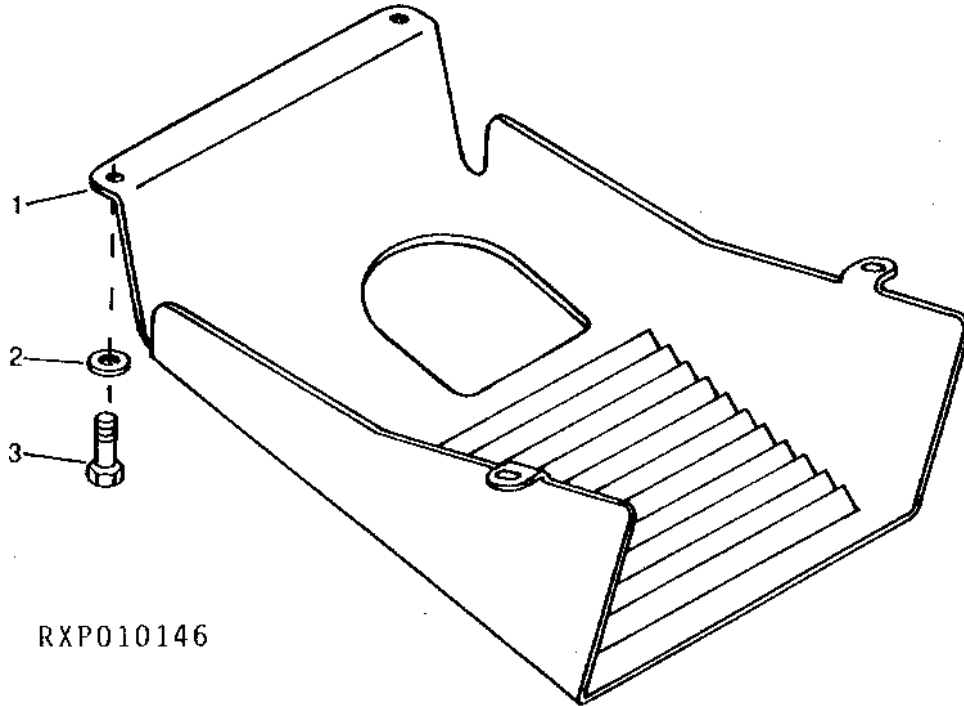
RXP021615

1117

ENGINE

KEY	PART NO.	PART NAME	QTY	TRACTOR		REMARKS
				SERIAL NO.		
					8	
					4	
					0	
					0	
1	RE69136	RADIATOR	1	-025855	X	(SUB FOR RE61306 OR RE61305)
	R122268	RADIATOR TOP	1	-025855	X	
	RE58362	BOTTOM	1	-025855	X	
	R122269	GASKET	2	-025855	X	
	RE159541	RADIATOR	1	025856-	X	
2	RE61307	AFTERCOOLER	1		X	
	R124838	WASHER	1		X	
	RE61307	AFTERCOOLER	1		X	
3	RE69133	CHANNEL	1		X	(SUB FOR RE54925)
4	RE70715	CHANNEL	1		X	(SUB FOR RE54927)
5	RE69134	CHANNEL	1		X	(SUB FOR RE54928)
6	R122267	CLAMP	4		X	
7	R122266	PIN	4		X	
8	RE60504	PLATE	1		X	
9	R122550	SEAL	1		X	
10	R122029	SEAL	3		X	
11	AT13740	DRAIN VALVE	1		X	
12	R120522	BRACKET	1		X	
13	19H2021	CAP SCREW	1		X	3/8" X 5/8"
14	AT139776	ISOLATOR	2		X	
15	RE70714	SUPPORT	1		X	(SUB FOR RE54930)
	R124759	FOAM PAD	1		X	
16	24M7180	WASHER	2		X	13 X 37 X 3 MM
17	14M7275	NUT	2		X	M12
18	R121714	SHROUD	1	-009999	X	
19A	RE61220	SHROUD	1	-009999	X	
19B	RE69082	SHROUD	1	010000-	X	(SUB FOR RE66337)
20	24M7346	WASHER	1		X	11 X 20 X 2 MM
21	24H1291	WASHER	4		X	21/64" X 1-15/32" X 7/64"
22	19M7932	CAP SCREW	4		X	M8 X 16
23	R122473	TUBE	1	-009999	X	
24	M67889	RIVET	3		X	
25	24M7027	WASHER	3		X	5.300 X 10 X 1 MM
26	R134058	SHROUD	1	010000-	X	

SHIELD
 DISPOSITIF DE PROTECTION
 ABDECKUNG
 PROTEZIONE
 ESCUDO
 SKYDD
 RXP010146 -UN-01JAN94



RXP010146

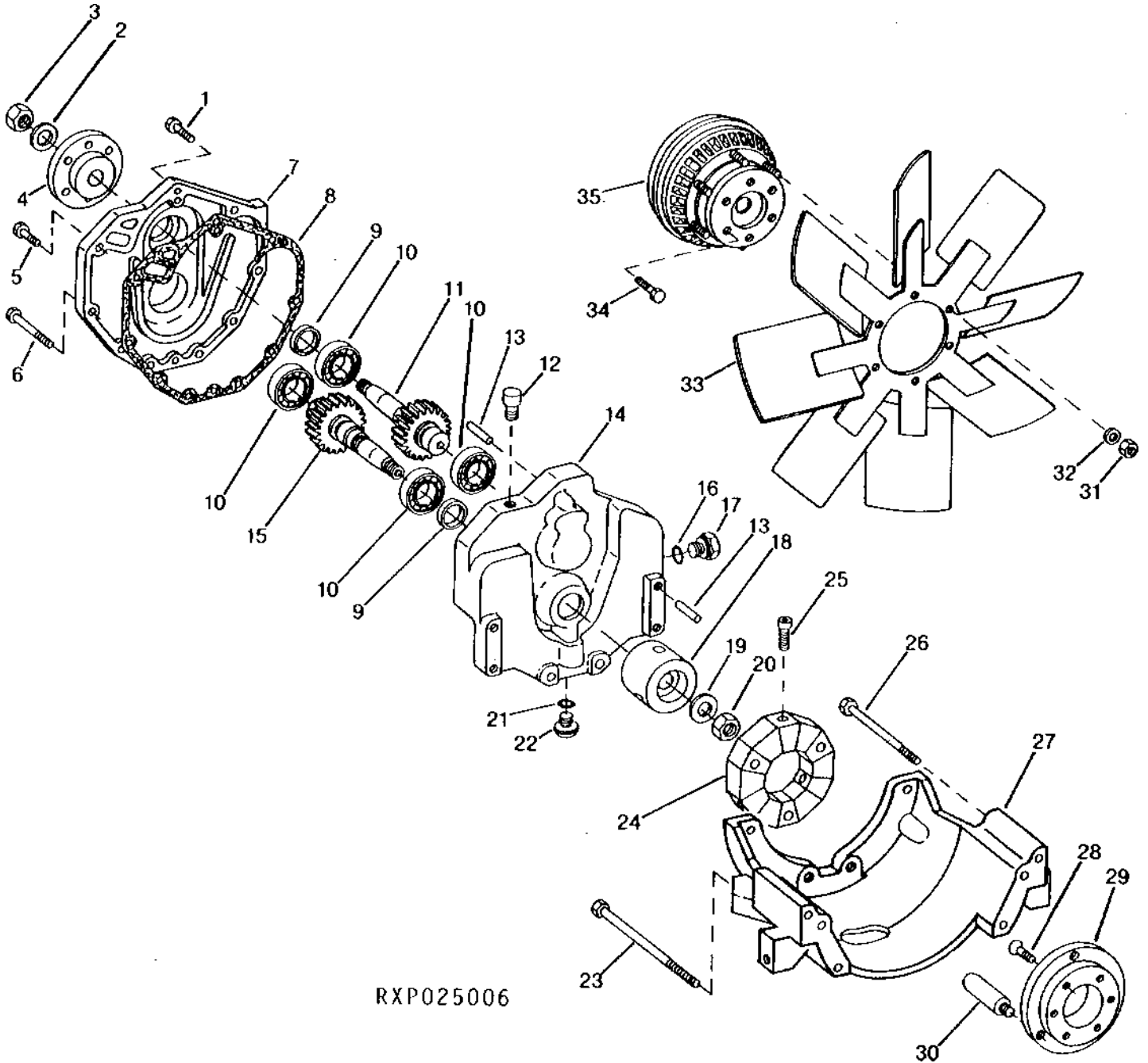
KEY	PART NO.	PART NAME	QTY	TRACTOR SERIAL NO.	A	REMARKS
					L	
1	R131224	DEFLECTOR	1		X	(SUB FOR R124431)
2	24M7346	WASHER	4		X	11 X 20 X 2 MM
3	19M8324	CAP SCREW	4		X	M10 X 16

MEMORANDA
MEMORANDA
MEMORANDA
MEMORANDA
MEMORANDA

1119

ENGINE

FAN DRIVE (8100,8200 -009999)
VICO-COUPLEUR DE VENTILATEUR (8100,8200 -009999)
LUEFTERANTRIEB (8100,8200 -009999)
COMANDO VISCOSO VENTOLA (8100,8200 -009999)
EMBRAGUE'VISCO' D. VENTILADOR (8100,8200 -009999)
FLAEKTRIVNING (8100,8200 -009999)
RXP025006 -UN-01JAN94



RXP025006

1120

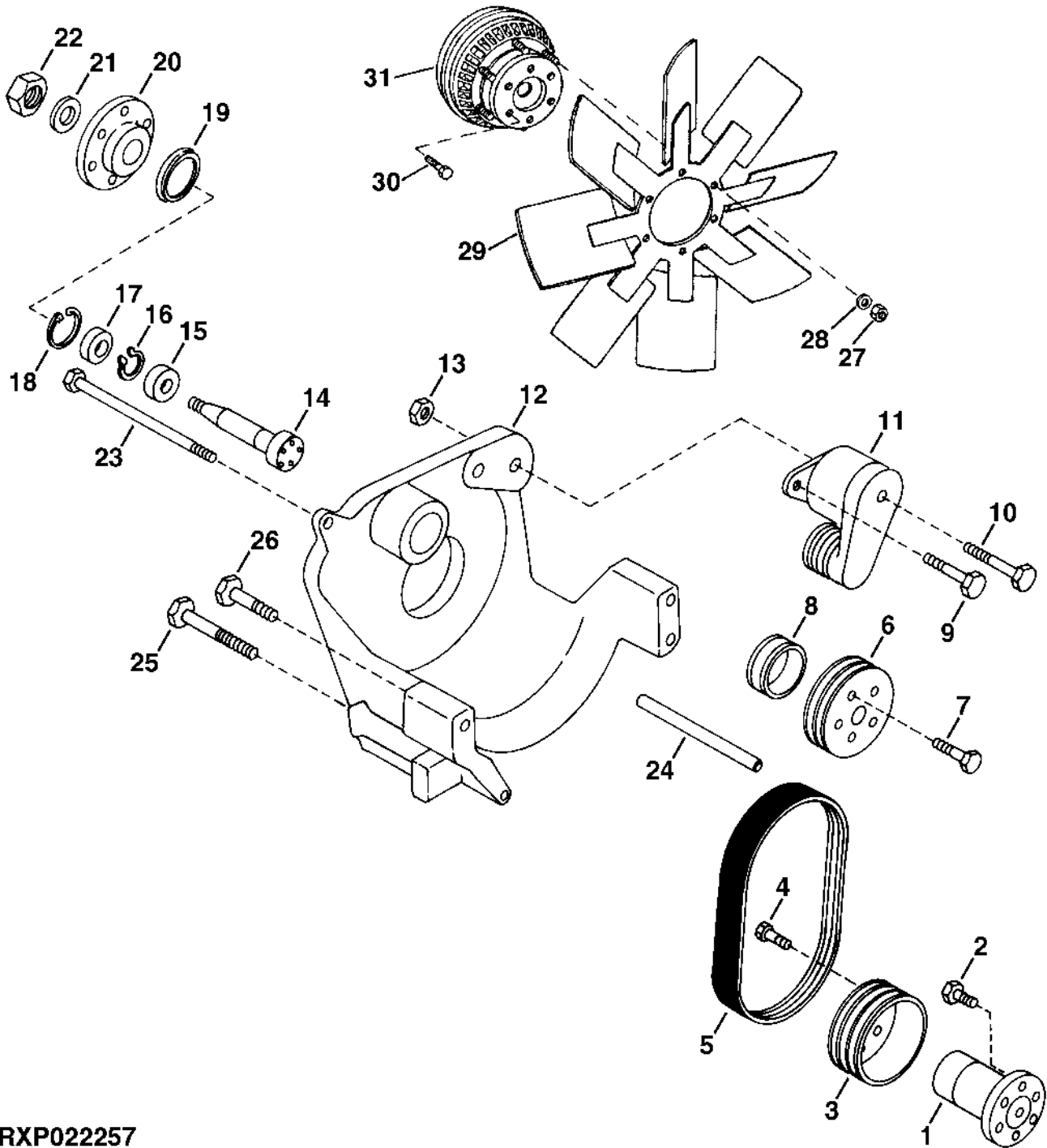
ENGINE

KEY	PART NO.	PART NAME	QTY	TRACTOR SERIAL NO.			REMARKS
				8	8	8	
				1	2	3	
				0	0	0	
				0	0	0	
1	19M7658	CAP SCREW	1	X	X		M10 X 50
2	24M7242	WASHER	1	X	X		21.400 X 42 X 5 MM
3	14M7335	NUT	1	X	X		M20
4	R125036	HUB	1	X	X		
5	19M7662	CAP SCREW	4	X	X		M10 X 30
6	19M8081	CAP SCREW	4	X	X		M10 X 80
7	R119397	COVER	1	X	X		
8	R122134	GASKET	1	X	X		
9	RE61409	SEAL	2	X	X		
10	CH14887	BALL BEARING	4	X	X		
11	R124165	SHAFT	1	-001341	X		(SUB R125217 AND R125216)
	R125217	SHAFT	1	001342-	X		
	R125217	SHAFT	1	-001341	X		
	R124167	SHAFT	1	001342-	X		
12	JD5801	PRESSURE RELIEF FITTING	1		X	X	
13	R125033	PIN	4		X	X	
14	R125180	HOUSING	1		X	X	
15	R124164	SHAFT	1	-001341	X		(SUB R125216 AND R125217)
	R125216	SHAFT	1	001342-	X		
	R125216	SHAFT	1	-001341	X		
	R124166	SHAFT	1	001342-	X		
16	51M7045	O-RING	1		X	X	
17	RE46687	FITTING	1		X	X	
18	R125034	HUB	1		X	X	
19	24M7242	WASHER	1	X	X		21.400 X 42 X 5 MM
20	14M7335	NUT	1	X	X		M20
21	51M7042	O-RING	1	X	X		13.300 X 2.200 MM
22	RE52242	PLUG	1	X	X		
23	19H3542	CAP SCREW	2	X	X		1/2" X 6-1/2"
24	RE61441	COUPLING	1	X	X		
25	RE61558	SCREW	3	X	X		
26	19H3586	CAP SCREW	2	X	X		1/2" X 4-1/4", UP, LH
27	R124926	SUPPORT	1	X	X		
28	R112893	SCREW	6	X	X		
29	R125037	PLATE	1	X	X		
30	R129839	SCREW	3	X	X		(SUB FOR R125035)
31	14M7273	NUT	6	X	X		M8
32	12M7065	LOCK WASHER	6	X	X		0.319"
33	RE61236	FAN	1	X	X		
34	19M7402	CAP SCREW	6	X	X		M10 X 25 HS 10.9
35	RE63002	DRIVE	1	X	X		

1121

ENGINE

FAN DRIVE (8100,8200 010000-)
VISCO-COUPLEUR DE VENTILATOR (8100,8200 010000-)
LUEFTERANTRIEB (8100,8200 010000-)
COMANDO VISCOSO VENTOLA (8100,8200 010000-)
EMBRAGUE'VISCO' D. VENTILADOR (8100,8200 010000-)
FLAEKTRIVNING (8100,8200 010000-)
RXP022257 -UN-12SEP97



RXP022257

1122

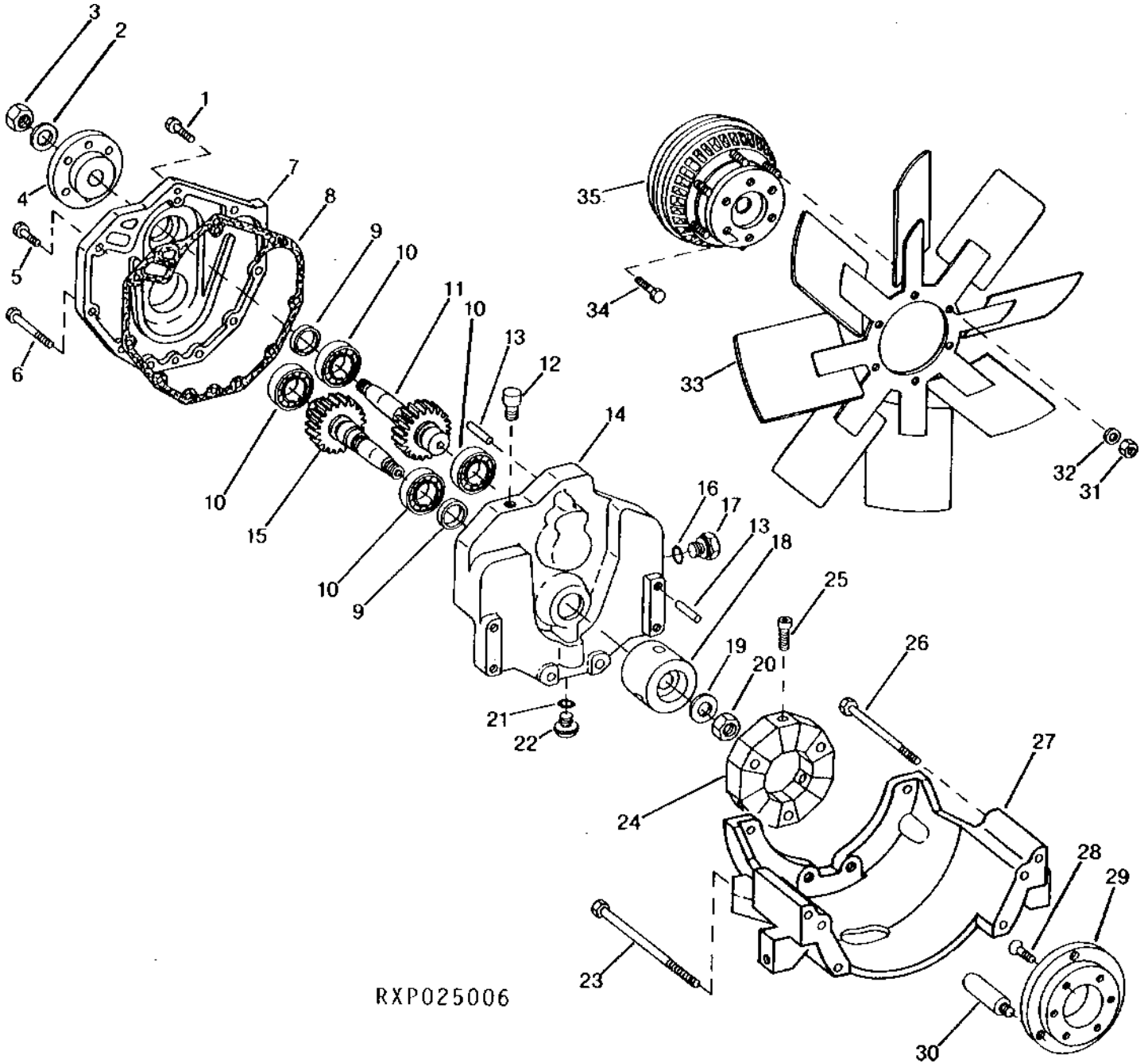
ENGINE

KEY	PART NO.	PART NAME	QTY	TRACTOR SERIAL NO.			REMARKS
				8	8	8	
1	R131275	PULLEY	1				
2	19H2676	CAP SCREW	6				
3	R132498	PULLEY	1		-025869		3/8" X 1"
4	R163158	PULLEY	1	025870-			
5	19M7784	SCREW	5				M10 X 20
6	R132497	PULLEY	1		-025869		
7	R131213	BELT	1				
8	R132497	PULLEY	1		-025869		
9	R163157	PULLEY	1	025870-			
10	19M7784	SCREW	5				M10 X 20
11	R119207	SEAL	1				
12	19M7808	SCREW	1				M10 X 65
13	19M7944	SCREW	1				M10 X 120
14	RE69083	TIGHTENER	1				
15	R131222	DRIVE	1				
16	14M7296	FLANGE NUT	2				M10
17	R130135	SHAFT	1				
18	R133966	ROCKSHAFT	1				
19	RE65610	BALL BEARING	1				
20	40M7109	SNAP RING	1				
21	RE65651	BALL BEARING	1				
22	40M1870	SNAP RING	1				
23	R130561	V-RING SEAL	1				
24	R130141	HUB	1				
25	24M7242	WASHER	1				21.400 X 42 X 5 MM
26	14M7335	NUT	1				M20
27	19H3767	CAP SCREW	1				3/8" X 10-1/2"
28	R129245	SPACER	1				
29	19H3770	CAP SCREW	2				1/2" X 7", LOW
30	19H3542	CAP SCREW	1				1/2" X 6-1/2", L.H. UP
31	19H3586	CAP SCREW	1				1/2" X 4-1/4", L.H. UP
32	19H3057	CAP SCREW	1				1/2" X 2-3/4", R.H. UP
33	14M7273	NUT	6				M8
34	12M7065	LOCK WASHER	6				8.100 MM
35	RE66338	FAN	1				
36	19M7402	CAP SCREW	6				M10 X 25 HS 10.9
37	RE71379	DRIVE	1		-025869		(SUB FOR RE65891)
38	RE155581	DRIVE	1	025870-			

1123

ENGINE

FAN DRIVE (8300,8400 -009999)
VISCO-COUPLEUR DE VENTILATOR (8300,8400 -009999)
LUEFTERANTRIEB (8300,8400 -009999)
COMANDO VISCOSO VENTOLA (8300,8400 -009999)
EMBRAGUE'VISCO' D. VENTILADOR (8300,8400 -009999)
FLAEKTRIVNING (8300,8400 -009999)
RXP025006 -UN-01JAN94



RXP025006

1124

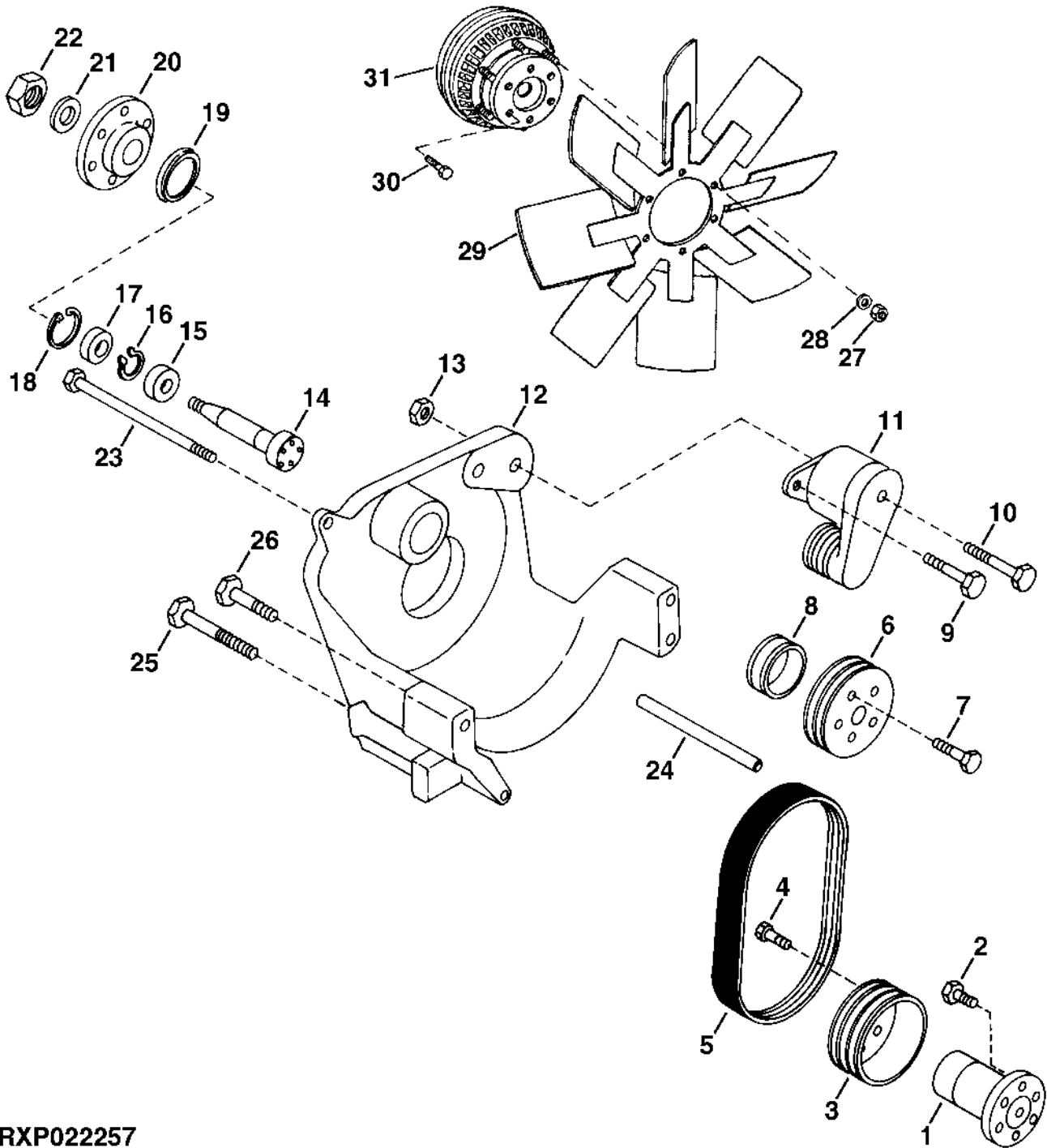
ENGINE

KEY	PART NO.	PART NAME	QTY	TRACTOR			REMARKS
				SERIAL NO.	8 8 8	2 3 4	
1	19M7658	CAP SCREW	1		X X		M10 X 50
2	24M7242	WASHER	1		X X		21.400 X 42 X 5 MM
3	14M7335	NUT	1		X X		M20
4	R125036	HUB	1		X X		
5	19M7662	CAP SCREW	4		X X		M10 X 30
6	19M8081	CAP SCREW	4		X X		M10 X 80
7	R119397	COVER	1		X X		
8	R122134	GASKET	1		X X		
9	RE61409	SEAL	2		X X		
10	CH14887	BALL BEARING	4		X X		
11	R124167	SHAFT	1	-002162	X		
	R125219	SHAFT	1	002163-	X		
	R125219	SHAFT	1	-002162	X		
	R126793	SHAFT	1	002163-	X		
12	JD5801	PRESSURE RELIEF FITTING	1		X X		
13	R125033	PIN	4		X X		
14	R125180	HOUSING	1		X X		
15	R124166	SHAFT	1	-002162	X		
	R125218	SHAFT	1	002163-	X		
	R125218	SHAFT	1	-002162	X		
	R126792	SHAFT	1	002163-	X		
16	51M7045	O-RING	1		X X		
17	RE46687	FITTING	1		X X		
18	R125034	HUB	1		X X		
19	24M7242	WASHER	1		X X		21.400 X 42 X 5 MM
20	14M7335	NUT	1		X X		M20
21	51M7042	O-RING	1		X X		13.300 X 2.200 MM
22	RE52242	PLUG	1		X X		
23	19H3542	CAP SCREW	2		X X		1/2" X 6-1/2"
24	RE61441	COUPLING	1		X X		
25	RE61558	SCREW	3		X X		
26	19H3586	CAP SCREW	2		X X		1/2" X 4-1/4"
27	R124926	SUPPORT	1		X X		LH
28	R112893	SCREW	6		X X		
29	R125037	PLATE	1		X X		
30	R129839	SCREW	3		X X		(SUB FOR R125035)
31	14M7273	NUT	6		X X		M8
32	12M7065	LOCK WASHER	6		X X		8.100 MM
33	RE61236	FAN	1		X X		
34	19M7402	CAP SCREW	6		X X		M10 X 25 HS 10.9
35	RE63003	DRIVE	1		X X		

1J1

ENGINE

FAN DRIVE (8300,8400 010000-)
VISCO-COUPLEUR DE VENTILATOR (8300,8400 010000-XXXXXX)
LUEFTERANTRIEB (8300,8400 010000-XXXXXX)
COMANDO VISCOSO VENTOLA (8300,8400 010000-XXXXXX)
EMBRAGUE'VISCO' D. VENTILADOR (8300,8400 010000-XXXXXX)
FLAEKTRIVNING (8300,8400 010000-XXXXXX)
RXP022257 -UN-12SEP97



RXP022257

1J2

ENGINE

KEY	PART NO.	PART NAME	QTY	TRACTOR SERIAL NO.			REMARKS
				8	8	8	
1	R131275	PULLEY	1				
2	19H2676	CAP SCREW	6				
3	R132499	PULLEY	1	-025855			3/8" X 1"
	R163158	PULLEY	1	025856-			
	R132498	PULLEY	1	025856-			
4	19M7784	SCREW	5				M10 X 20
5	R131213	BELT	1				
6	R132496	PULLEY	1	-025855			
	R163157	PULLEY	1	025856-			
	R152709	PULLEY	1	025856-			
7	19M7784	SCREW	5				M10 X 20
8	R119207	SEAL	1				
9	19M7808	SCREW	1				M10 X 65
10	19M7944	SCREW	1				M10 X 120
11	RE69083	TIGHTENER	1				
12	R131222	DRIVE	1				
13	14M7296	FLANGE NUT	2				M10
14	R130135	SHAFT	1	-025855			
	R133966	ROCKSHAFT	1	025856-			
15	RE65610	BALL BEARING	1				
16	40M7109	SNAP RING	1				
17	RE65651	BALL BEARING	1				
18	40M1870	SNAP RING	1				
19	R130561	V-RING SEAL	1				
20	R130141	HUB	1				
21	24M7242	WASHER	1				21.400 X 42 X 5 MM
22	14M7335	NUT	1				M20
23	19H3767	CAP SCREW	1				3/8" X 10-1/2"
24	R129245	SPACER	1				
25	19H3542	CAP SCREW	2				1/2" X 6-1/2", LOW
26	19H3586	CAP SCREW	1				1/2" X 4-1/4", L.H. UP
	19H3057	CAP SCREW	1				1/2" X 2-3/4", R.H. UP
27	14M7273	NUT	6				M8
28	12M7065	LOCK WASHER	6				8.100 MM
29	RE66338	FAN	1				
30	19M7402	CAP SCREW	6				M10 X 25
31	RE71379	DRIVE	1	-XXXXXX			(SUB FOR RE65891)
	RE155581	DRIVE	1	XXXXXX-			

MEMORANDA
MEMORANDA
MEMORANDA
MEMORANDA
MEMORANDA

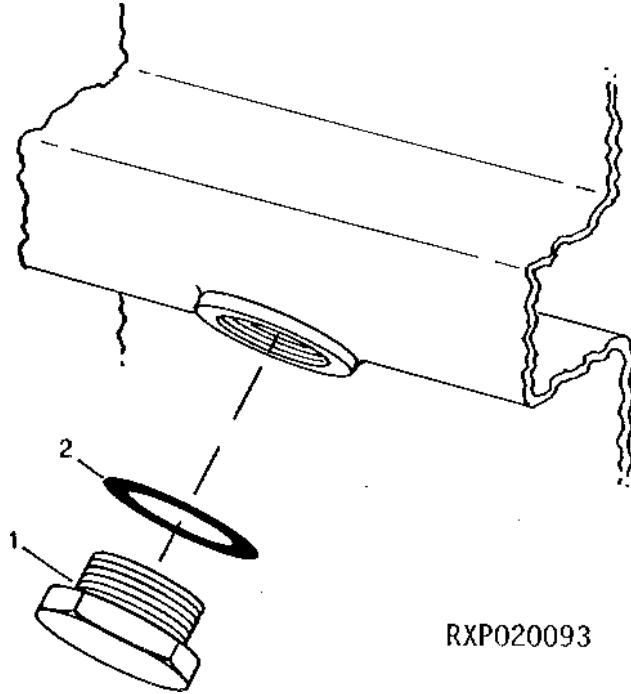
MEMORANDA
MEMORANDA
MEMORANDA
MEMORANDA
MEMORANDA

1J3

ENGINE

ENGINE COOLANT HEATER (NO HEATER)
 RECHAUFFEUR DU LIQUIDE DE REFROIDISSEMENT (SANS CHAUFFAGE)
 KUEHLWASSER-VORWAERMER (OHNE HEIZUNG)
 RISACALDATORE REFRIGERANTE (SENZA RISDALDATORE)
 DISPOSITIVO PARA EL CALENTAMIENTO DEL LIQUIDO REFRIGERANTE (SIN CALEFACTOR)
 KYLVATSKEVARMARE (UTAN VAERMEAPPARAT)

RXP020093 -UN-01JAN94

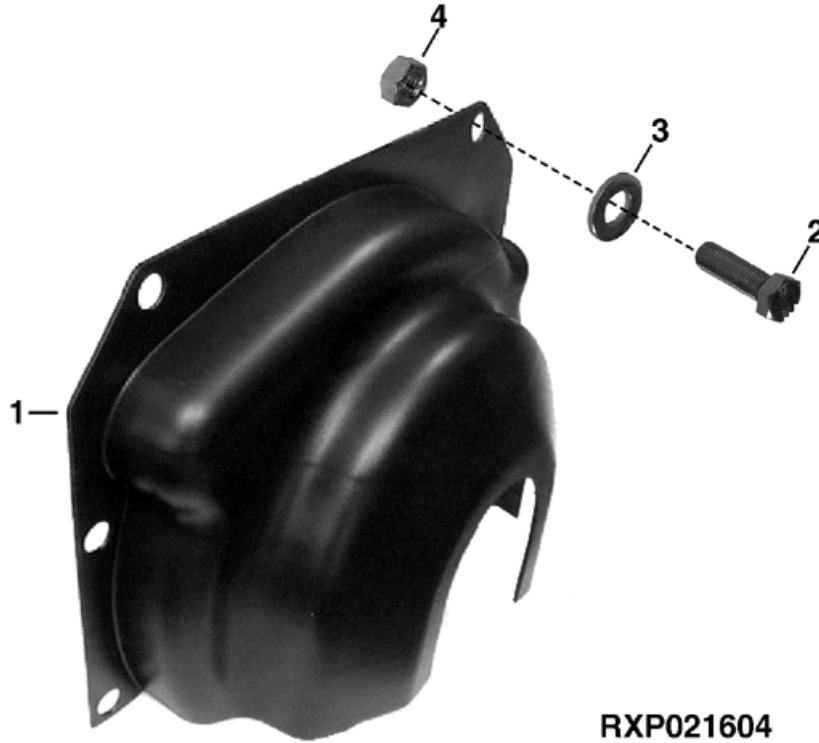


KEY	PART NO.	PART NAME	QTY	ENGINE SERIAL NO.	A	REMARKS
					L	
1	R39741	DRAIN PLUG	1		X	
2	U13639	O-RING	1		X	

1J4

ENGINE

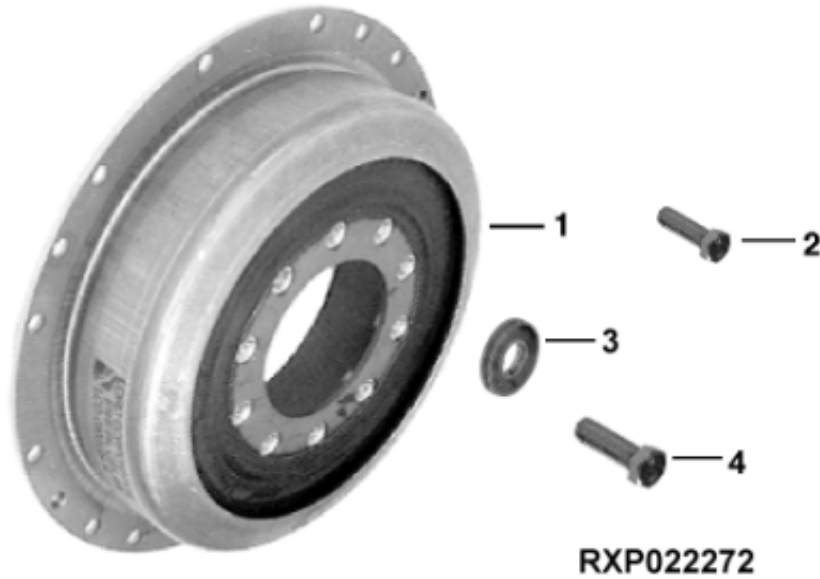
FLYWHEEL COVER
 VOLANT-MOTEUR, PROTECTION
 SCHWUNGRAD, ABDECKUNG
 VOLANO, COPERTURA
 VOLANTE, CUBIERTA
 SVAENGHJUL, SKYDD
 RXP021604 -UN-20JUN96



RXP021604

KEY	PART NO.	PART NAME	QTY	TRACTOR SERIAL NO.	A	
					L	REMARKS
1	R129054	COVER	1		X	(SUB FOR R124622)
2	19H1871	CAP SCREW	6		X	3/4" X 1-1/4", W/ MFWD
	R120252	CAP SCREW	2		X	W/O MFWD
	19H1871	CAP SCREW	1		X	3/4" X 1-1/4", W/O MFWD
	19H1735	CAP SCREW	1	-009999	X	3/4" X 3-1/2"
	19H1871	CAP SCREW	1	010000-	X	3/4" X 1-1/4"
3	24H1392	WASHER	6		X	25/32" X 1-3/8" X 0.120"
4	14H793	NUT	1	-009999	X	3/4"

ENGINE COUPLING
 ACCOUPLEMENT DE MOTEUR
 MOTORKUPPLUNG
 RACCORDO DEL MOTORE
 ACOPLAMIENTO DEL MOTOR
 MOTORKOPPLING
 RXP022272 -UN-29SEP97



KEY	PART NO.	PART NAME	QTY	ENGINE SERIAL NO.	A L L	REMARKS
1	RE45382	TORSIONAL DAMPENER	1		X	
2	19M7835	SCREW	8		X	M10 X 35
3	24M7240	WASHER	9		X	13 X 25 X 3 MM
4	19M7789	SCREW	9		X	M12 X 30

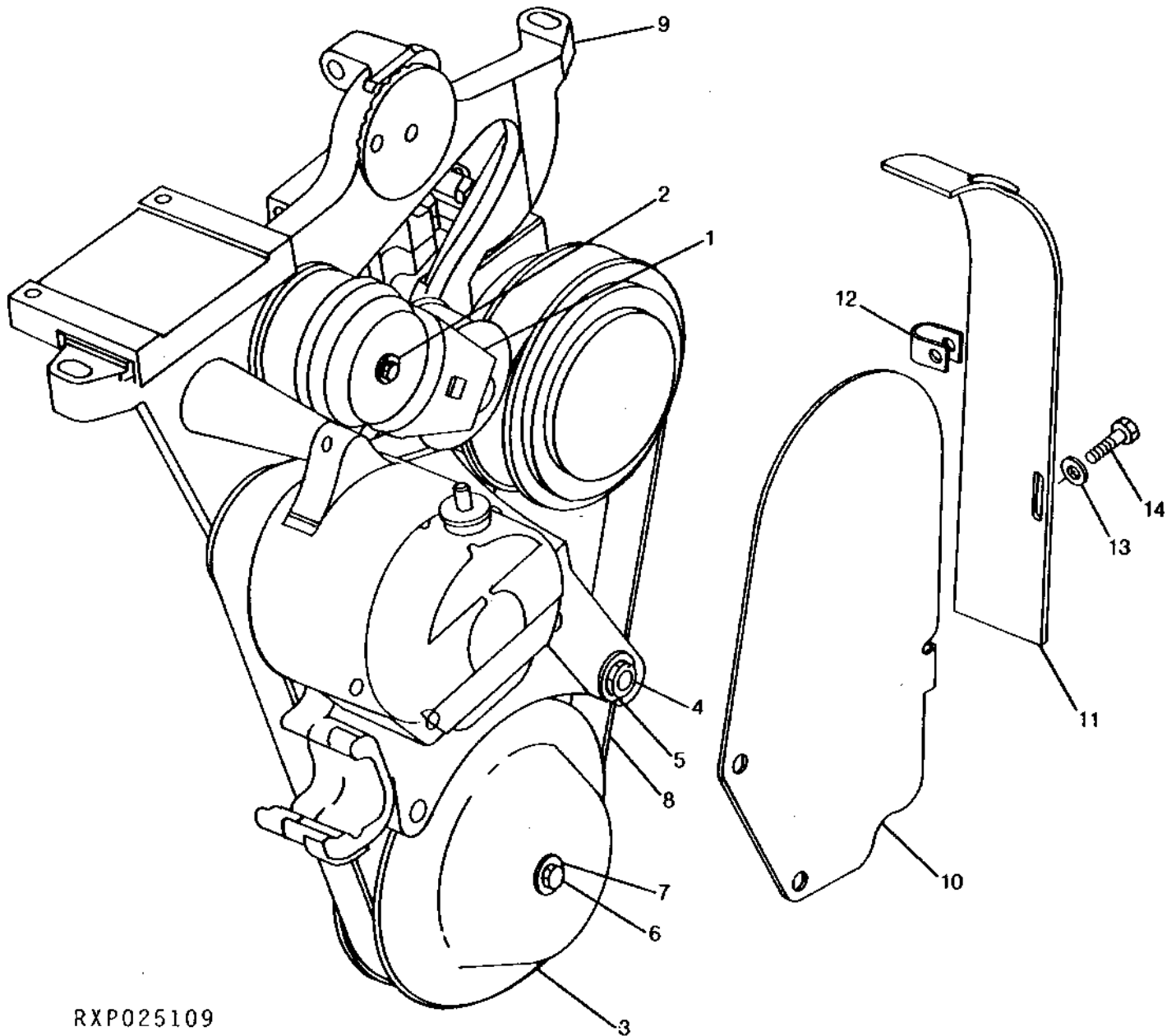
MEMORANDA
MEMORANDA
MEMORANDA
MEMORANDA
MEMORANDA

1J6

ENGINE

PULLEY/IDLER PULLEY/SHIELD (W/O AIR BRAKE)
POULIE/TENDEUR/DISPOSITIF DE PROTECTION (W/O FREIN A AIR COMPRIME)
RIEMENSCHIBE/ZWISCHENSCHIBE/ABDECKUNG (W/O DRUCKLUFTBREMS)
PILEGGIA/PULEGGIA FOLLE/ PROTEZIONE (W/O FRENO AD ARIA COMPRESSA)
POLEA/POLEA TENSORA/ESCUDO (W/O FRENOS NEUMATICOS)
REMSKIVA/TOMGAANGSSKIVA/SKYDD (W/O TRYCKLUFTSBROMS)

RXP025109 -UN-01JAN94



RXP025109

1J7

ENGINE

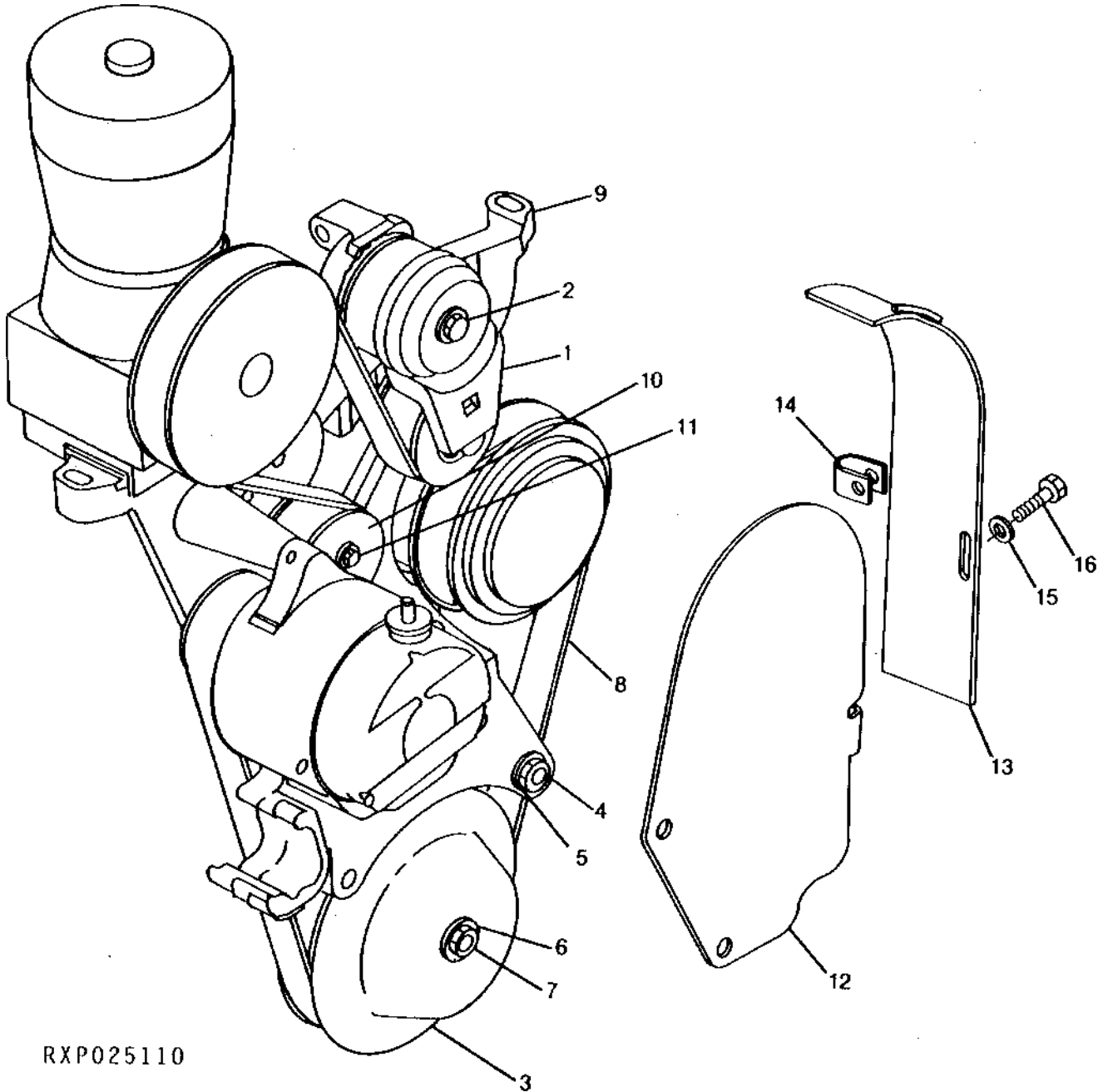
KEY	PART NO.	PART NAME	QTY	TRACTOR SERIAL NO.	A L L	REMARKS
1	RE57498	TIGHTENER	1		X	
2	19M7810	SCREW	1		X	M10 X 80
3	R107078	PULLEY	1		X	
4	19M7496	CAP SCREW	4		X	M12 X 45
5	24M7047	WASHER	4		X	13 X 24 X 2.500 MM
6	19M7791	SCREW	1		X	M12 X 40
7	24H1900	WASHER	1		X	17/32" X 2" X 1/4"
8	R124785	BELT	1		X	
9	R119489	BRACKET	1		X	
10	R125746	GUARD	1		X	
11	R125747	GUARD	1		X	
12	M84971	NUT	1		X	
13	24M7047	WASHER	1		X	13 X 24 X 2.500 MM
14	19M7881	SCREW	1		X	M8 X 20

1J8

ENGINE

PULLEY/IDLER PULLEY/SHIELD (W/ AIR BRAKE)
POULIE/TENDEUR/DISPOSITIF DE PROTECTION (W/ FREIN A AIR COMPRIE)
RIEMENSCHIBE/ZWISCHENSCHIBE/ABDECKUNG (W/ DRUCKLUFTBREMS)
PULEGGIA/PULEGGIA FOLLE/PROTEZIONE (FRENO AD ARIA COMPRESSA)
POLEA/POLEA TENSORA/ESCUDO (W/ FRENOS NEUMATICOS)
REMSKIVA/TOMGAANGSSKIVA/SKYDD (W/TRYCKLUFTSBROMS)

RXP025110 -UN-01JAN94



RXP025110

KEY	PART NO.	PART NAME	QTY	TRACTOR SERIAL NO.	A L L	REMARKS
1	RE57498	TIGHTENER	1		X	
2	19M7810	SCREW	1		X	M10 X 80
3	R107078	PULLEY	1		X	
4	19M7496	CAP SCREW	4		X	M12 X 45
5	24M7047	WASHER	4		X	
6	19M7791	SCREW	1		X	M12 X 40
7	24H1900	WASHER	1		X	17/32" X 2" X 1/4"
8	R124786	BELT	1		X	(A)
9	R121379	SUPPORT	1		X	
10	RE68722	PULLEY	1		X	(SUB FOR RE51281)
11	R120143	BOLT	1		X	
	T14386	BUSHING	1		X	
	R114837	DUST SHIELD	1		X	
12	R125746	GUARD	1		X	
13	R125747	GUARD	1		X	
14	M84971	NUT	1		X	
15	24M7047	WASHER	1		X	13 X 24 X 2.500 MM
16	19M7881	SCREW	1		X	M8 X 20

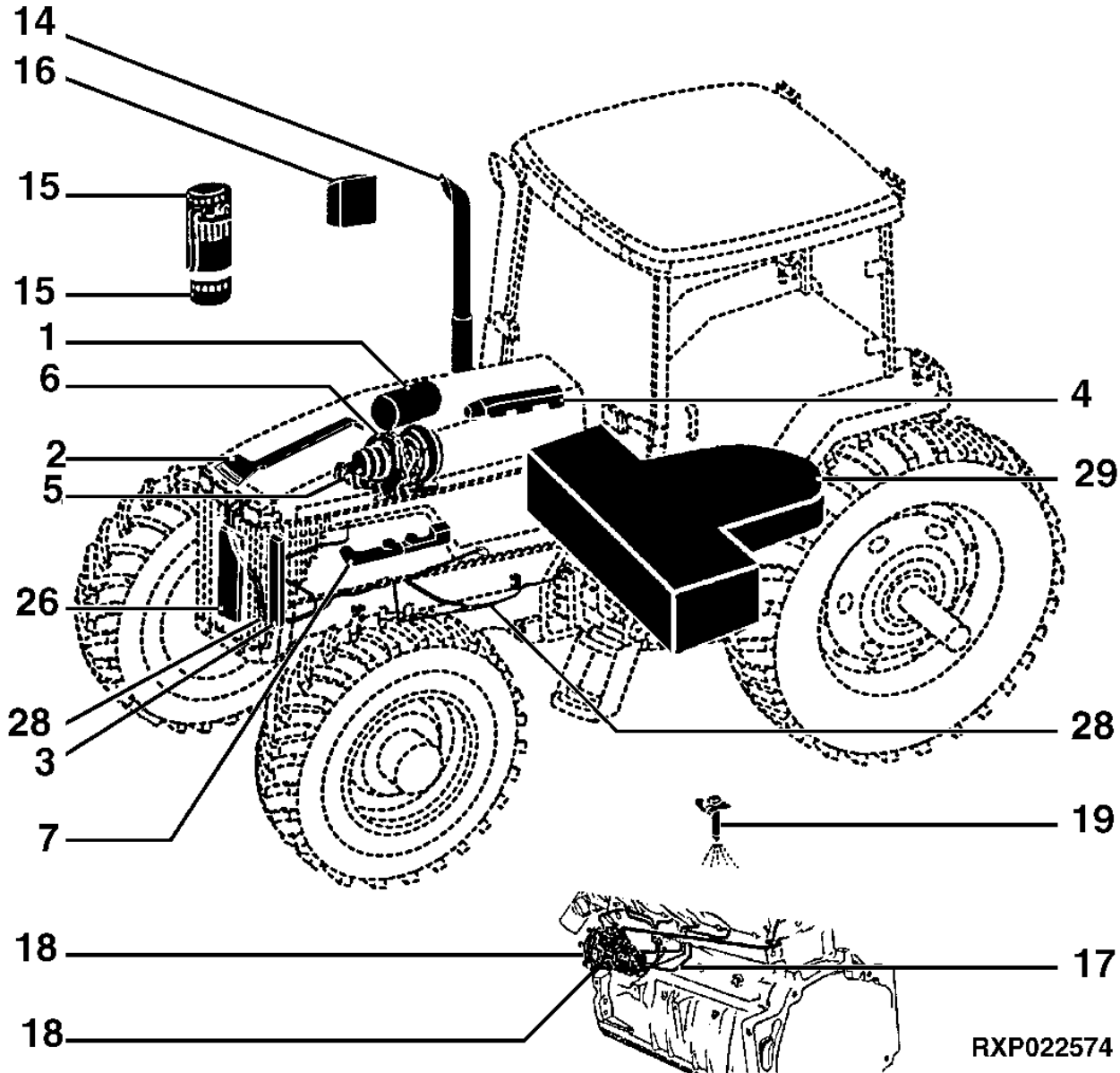
(A) TRAILER AIR BRAKE AIR COMPRESSOR
 REMORQUE, COMPRESSEUR DU FREIN A AIR COMPRIME
 ANHAENGER-LUFTDRUCKBREMSE, LUFTKOMPRESSOR
 COMPRESSORE DELL'ARIA DEL FRENO PNEUMATICO DEL RI MORCHIO
 COMPRESOR DE FRENOS DE AIRE DEL REMOLOQUE
 SLAEPVAGNSBROMS, LUFTKOMPRESSOR

MEMORANDA
MEMORANDA
MEMORANDA
MEMORANDA
MEMORANDA

2D6

SECTIONAL INDEX (8100,8200,8300 TSN -009999)
 INDEX DE SECTION (8100,8200,8300 TSN -009999)
 GRUPPENINDEX (8100,8200,8300 TSN -009999)
 INDICE DELLA SEZIONE (8100,8200,8300 TSN -009999)
 INDICE DE SECCION (8100,8200,8300 TSN -009999)
 GRUPPSFORTECKNING (8100,8200,8300 TSN -009999)
 RXP022574 -UN-11MAY99

1 -	2D10
2 -	2D12
3 -	2D14
4 -	2D16
14 -	2E6
15 -	2E14
26 -	2G1
28 -	2G6
29 -	2G8



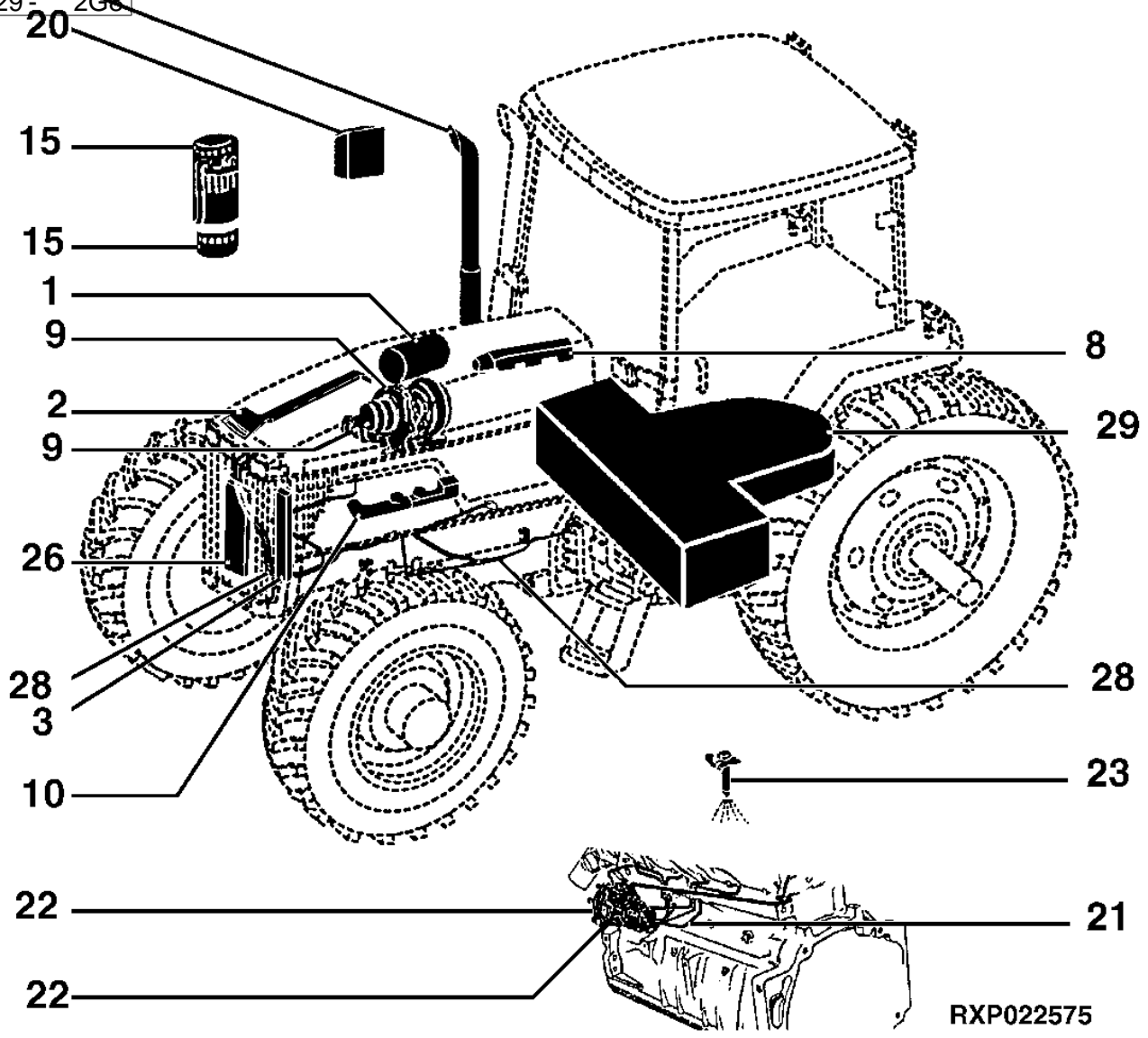
RXP022574

2D7

SECTIONAL INDEX (8100,8200,8300 TSN 010000-)
INDEX DE SECTION (8100,8200,8300 TSN 010000-)
GRUPPENINDEX (8100,8200,8300 TSN 010000-)
INDICE DELLA SEZIONE (8100,8200,8300 TSN 010000-)
INDICE DE SECCION (8100,8200,8300 TSN 010000-)
GRUPPSFORTECKNING (8100,8200,8300 TSN 010000-)

RXP022575 -UN-11MAY99

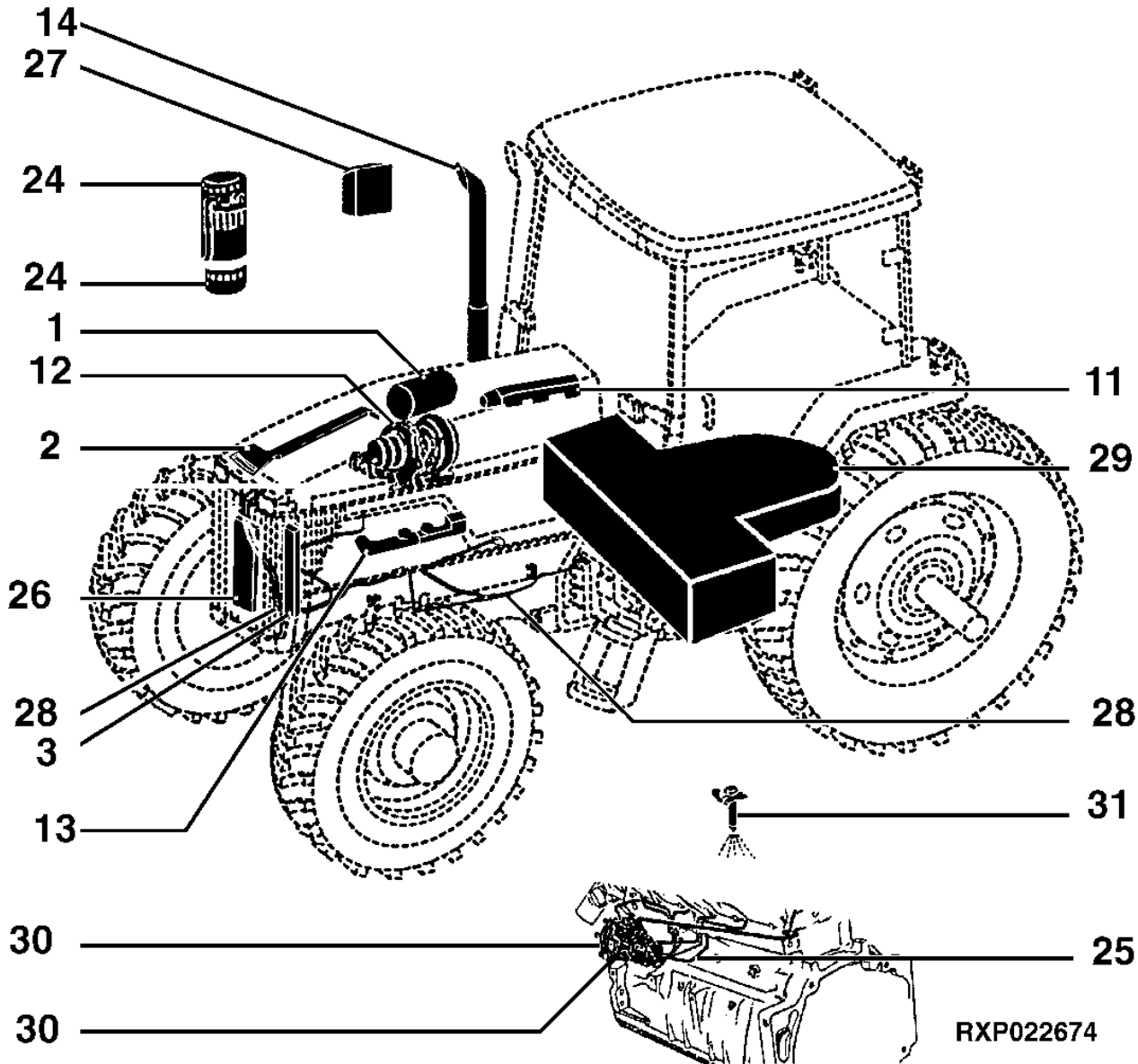
1-	2D10
2-	2D12
3-	2D14
4-	2D16
14-	2E6
15-	2E14
26-	2G1
28	2G6
29-	2G8



2D8

SECTIONAL INDEX (8400)
INDEX DE SECTION (8400)
GRUPPENINDEX (8400)
INDICE DELLA SEZIONE (8400)
INDICE DE SECCION (8400)
GRUPPSFORTECKNING (8400)
RXP022674 -UN-11MAY99

1 -	2D10
2 -	2D12
3 -	2D14
4 -	2D16
14 -	2E6
15 -	2E14
26 -	2G1
28 -	2G6
29 -	2G8

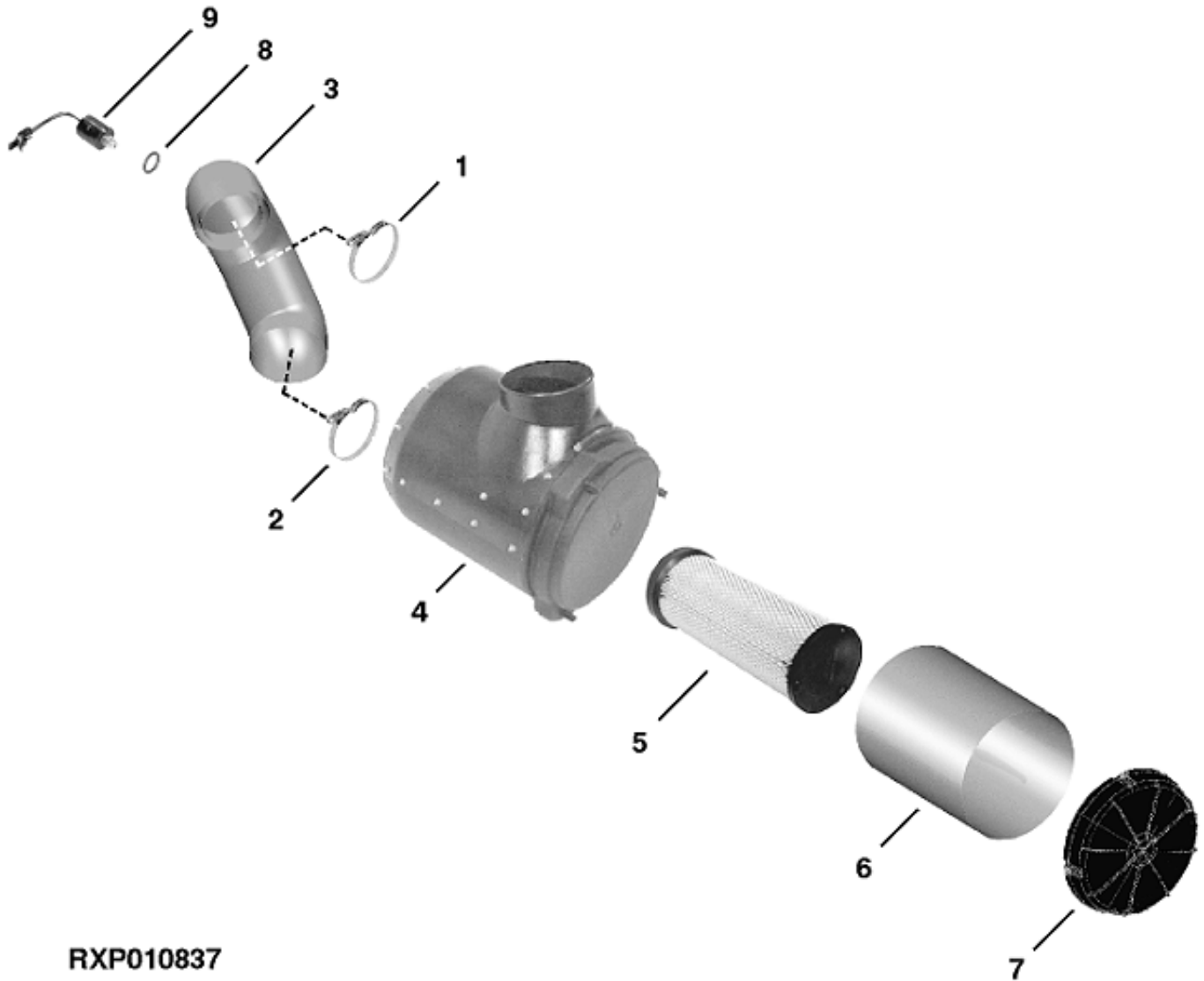


SECTIONAL INDEX
INDEX DE SECTION
GRUPPENINDEX
INDICE DELLA SEZIONE
INDICE DE SECCION
GRUPPSFORTECKNING

MEMORANDA
MEMORANDA
MEMORANDA
MEMORANDA
MEMORANDA

2D10

DRY AIR CLEANER
FILTRE A AIR SEC
TROKENLUFTFILTER
FILTRO ARIA SECCO
FILTRO DE AIRE EN SECO
TORRLUFTRENARE
RXP010837 -UN-01JAN94



RXP010837

KEY	PART NO.	PART NAME	QTY	TRACTOR SERIAL NO.	A L L	REMARKS
1	RE52703	CLAMP	1		X	
2	RE67747	CLAMP	1		X	
3	RE61167	ELBOW FITTING	1		X	
	RE61168	ELBOW FITTING	1		X	(A)
4	RE67898	HOUSING	1		X	
5	RE51630	FILTER ELEMENT	1		X	
6	RE51629	FILTER ELEMENT	1		X	
7	RE61332	COVER	1		X	
	R124848	LATCH	1		X	
8	R77673	O-RING	1		X	
9	RE12176	AIR FILTER RSTR SENSOR	1		X	

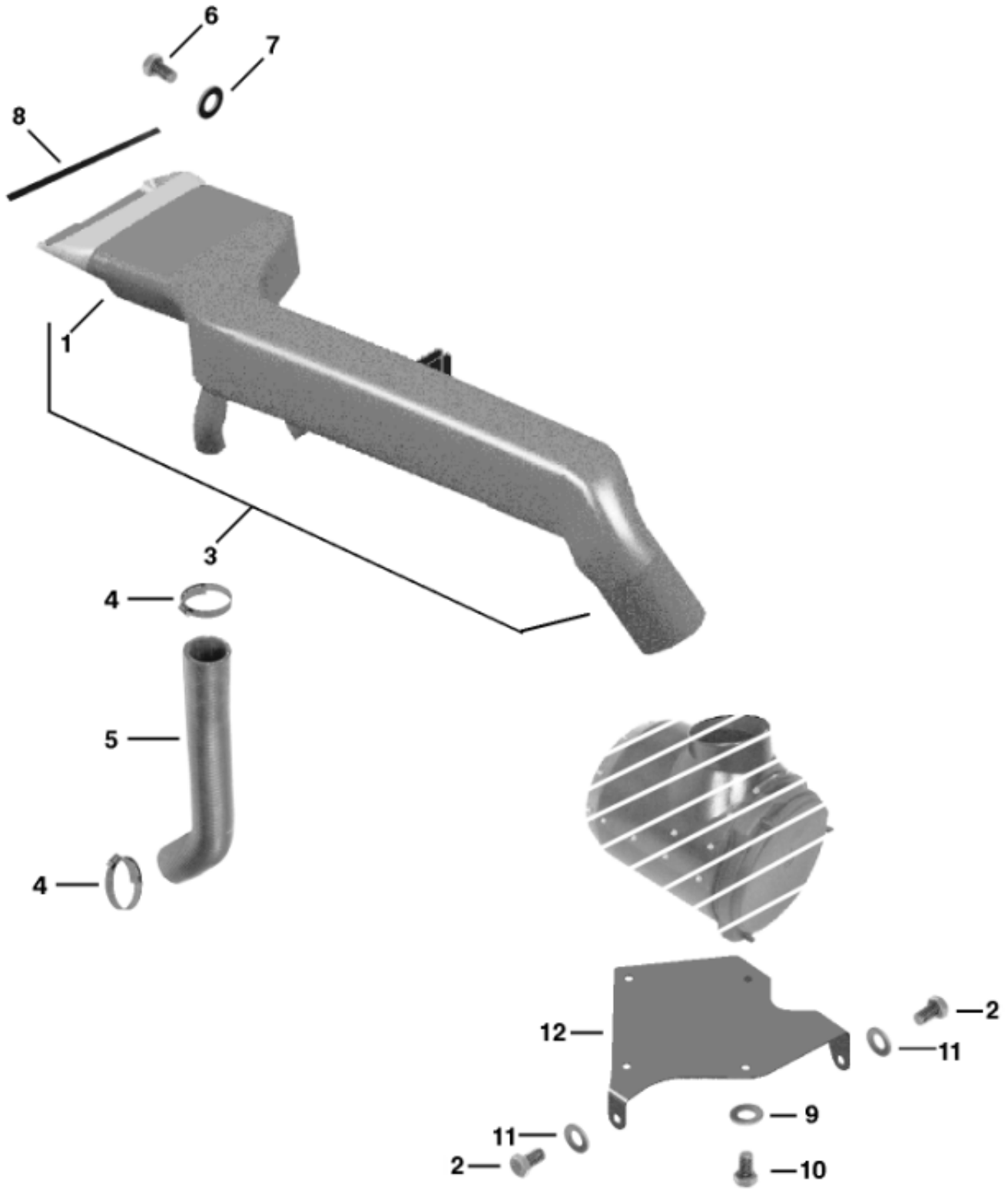
(A) W/AIR BRAKE COUPLERS

FREINS A AIR COMPRIME, RACCORDS
 DRUCKLUFTBREMSE, KUPPLUNGEN
 FRENO AD ARIA COMPRESSA, RACCORDI
 FRENO NEUMATICO, ACOPLADORES
 TRYCKLUFTSBROMS, KOPPLINGAR

2D12

FUEL AND AIR

PRESCREENER
PREFILTRE
VORFILTER
PREFILTRO
PREFILTRO DE MALLA
FOERFILTER
RXP021916 -UN-05FEB97



RXP021916

2D13

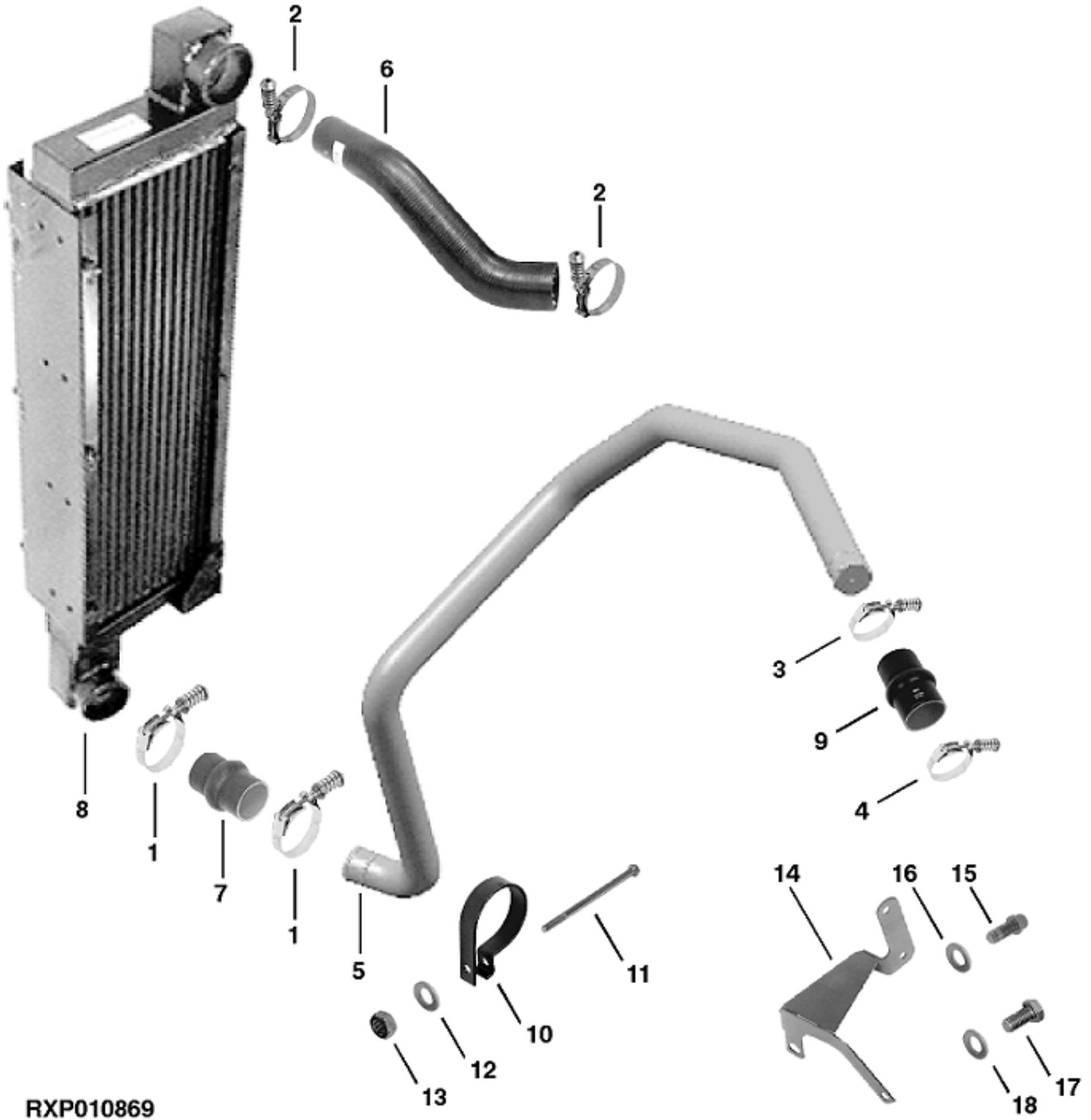
FUEL AND AIR

KEY	PART NO.	PART NAME	QTY	TRACTOR SERIAL NO.	A L L	REMARKS
1	RE164286	PRESCREENER	1		X	(SUB FOR RE51631)
2	19M7788	SCREW	3		X	M12 X 25
3	RE163458	PRESCREENER	1		X	(SUB FOR RE55358)
4	TY22486	CLAMP	2		X	
5	R120723	HOSE	1	-009999	X	
	R131221	HOSE	1	010000-	X	
6	19M7139	CAP SCREW	2		X	M8 X 20
7	24M7036	WASHER	2		X	9 X 16 X 1.600 MM
8	R122550	SEAL	1		X	
9	24M7346	WASHER	4		X	11 X 20 X 2 MM
10	19M8324	CAP SCREW	4		X	M10 X 16
11	24M7047	WASHER	3		X	13 X 24 X 2.500 MM
12	R124826	BRACKET	1		X	
	R136260	BRACKET	1		X	RH, (SUB FOR R124823)

2D14

FUEL AND AIR

AFTERCOOLER
ECHANGEUR THERMIQUE AIR/EAU
LADELFTKUEHLER
REFRIGERATORE SUCCESSIVO
POSREFROFERADOR
MELLANKYLARE
RXP010869 -UN-01JAN94



RXP010869

2D15

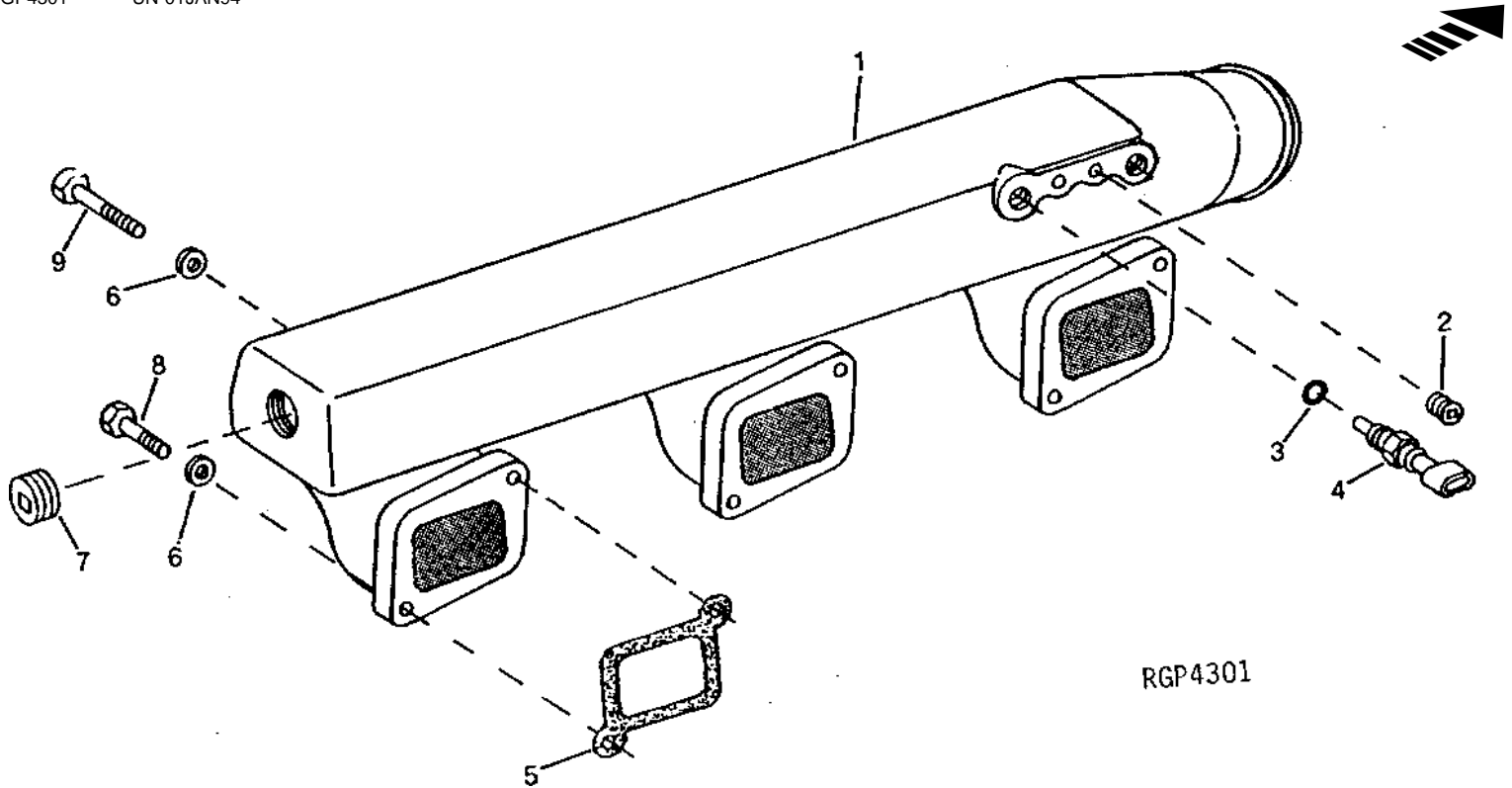
FUEL AND AIR

KEY	PART NO.	PART NAME	QTY	TRACTOR SERIAL NO.	A L L	REMARKS
1	RE52702	CLAMP	2		X	
2	RE52702	CLAMP	2		X	
3	RE52702	CLAMP	1		X	
4	RE52702	CLAMP	1		X	
5	R130848	PIPE	1		X	(SUB FOR R124579, R126645 OR R127791)
6	R115037	HYDRAULIC HOSE	1		X	
7	R98412	HOSE	1		X	
8	RE61307	AFTERCOOLER	1	-009999		8100,8200,8300
	RE66342	AFTERCOOLER	1	010000-		8100,8200
	RE66342	AFTERCOOLER	1	010000-XXXXXX		8300
	RE61307	AFTERCOOLER	1	XXXXXX-		8300, 8400
	RE61307	AFTERCOOLER	1	-XXXXXX		8400
9	R98412	HOSE	1		X	
10	R111156	CLIP	2		X	
11	19M8853	SCREW	1		X	M10 X 50
12	24M7346	WASHER	1		X	11 X 20 X 2 MM
13	14M7274	NUT	1		X	M10
14	R122424	RAIL	1		X	
15	RE10901	SCREW	1		X	
16	24M7338	WASHER	1		X	17 X 30 X 3 MM
17	19H1731	CAP SCREW	1		X	3/8" X 1"
18	24M7346	WASHER	1		X	11 X 20 X 2 MM
..	R124838	WASHER	1		X	
..	19M8853	SCREW	2		X	M10 X 50

2D16

FUEL AND AIR

AIR INTAKE MANIFOLD (6076) (8100,8200,8300 TSN -009999)
 PIPE D'ADMISSION (6076) (8100,8200,8300 TSN -009999)
 LUFTANSAUGKRUEMMER (6076) (8100,8200,8300 TSN -009999)
 COLLETTORE D'ASPIRAZIONE (6076) (8100,8200,8300 TSN -009999)
 COLECTOR DE ADMISION DE AIRE (6076) (8100,8200,8300 TSN -009999)
 INSUGNINGSROR (6076) (8100,8200,8300 TSN -009999)
 RGP4301 -UN-01JAN94

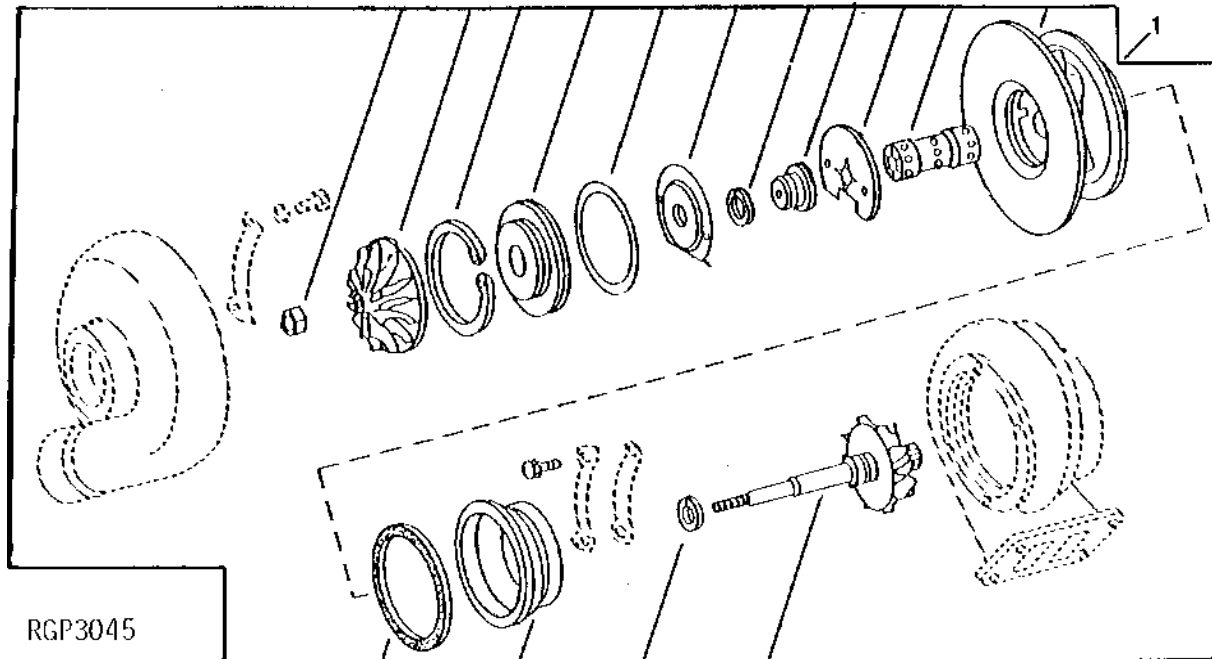


KEY	PART NO.	PART NAME	QTY	ENGINE SERIAL NO.	8	8	8	REMARKS
					1	2	3	
1	R116727	INTAKE MANIFOLD	1		X	X	X	
2	R104592	PIPE PLUG	2		X	X	X	
3	R77673	O-RING	1		X	X	X	
4	RE38310	SENSOR	1		X	X	X	
5	R120646	GASKET	3		X	X	X	
6	24H1682	WASHER	6		X	X	X	13/32" X 7/8" X 0.120"
7	15H280	PIPE PLUG	1		X	X	X	
8	19H1801	CAP SCREW	3		X	X	X	3/8" X 2"
9	19H2458	CAP SCREW	3		X	X	X	3/8" X 3"

2D17

FUEL AND AIR

TURBOCHARGER CENTER HOUSING (6076) (8100,8200,8300 TSN -009999) (SCHWITZER)
 TURBOCOMPRESSEUR (6076) (8100,8200,8300 TSN -009999) (SCHWITZER)
 TURBOLADER (6076) (8100,8200,8300 TSN -009999) (SCHWITZER)
 TURBOCOMPRESSORE (6076) (8100,8200,8300 TSN -009999) (SCHWITZER)
 TURBOCARGADOR (6076) (8100,8200,8300 TSN -009999) (SCHWITZER)
 TURBOAGGREGAT (6076) (8100,8200,8300 TSN -009999) (SCHWITZER)
 RGP3045 -UN-01JAN94

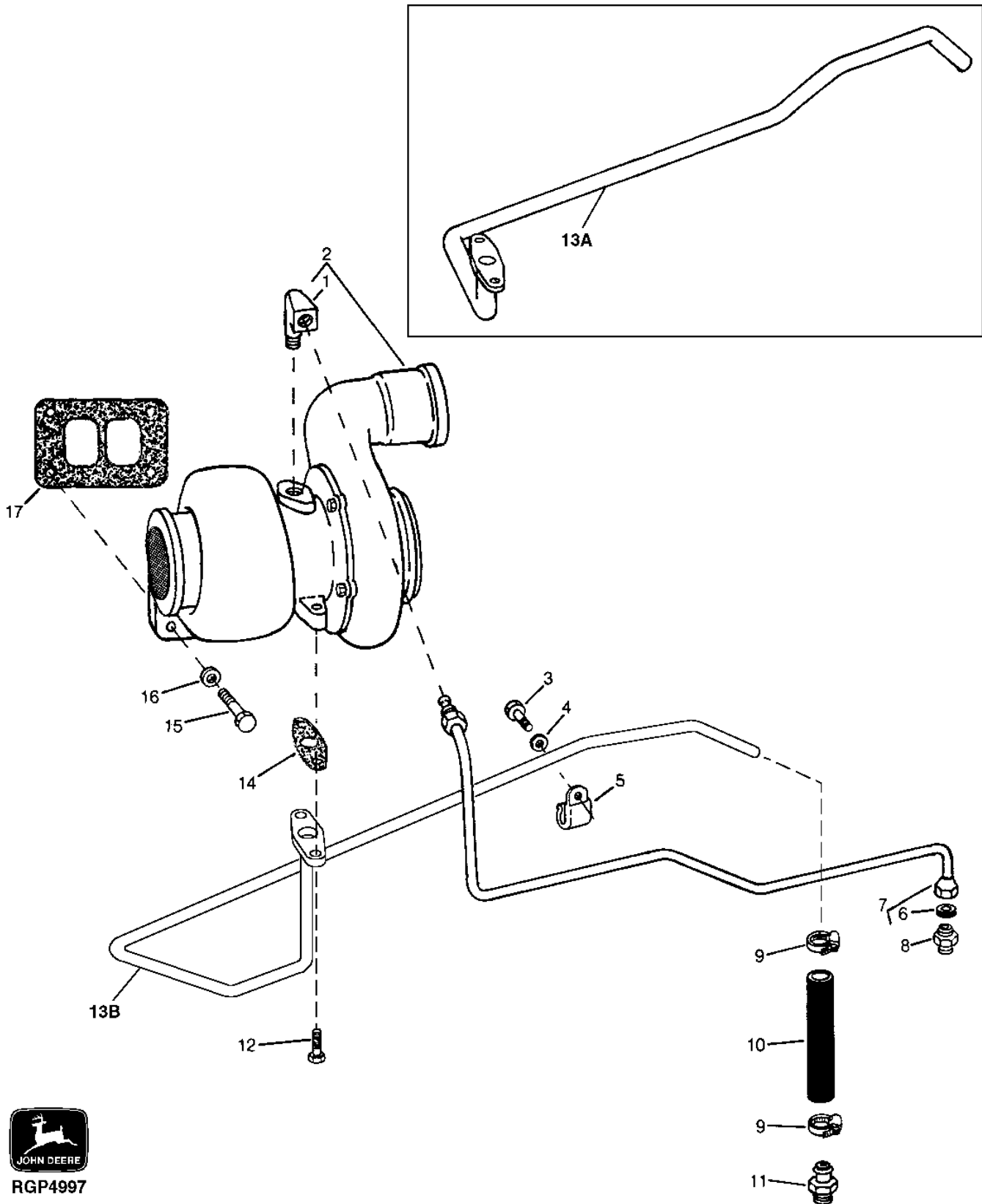


KEY	PART NO.	PART NAME	QTY	ENGINE SERIAL NO.	REMARKS
1	RE58563	HOUSING	1	8 8 8 1 2 3 0 0 0 0 0 0	X X X (SUB RE54979)

2D18

FUEL AND AIR

TURBOCHARGER (6076) (8100,8200,8300 TSN -009999)
TURBOCOMPRESSEUR (6076) (8100,8200,8300 TSN -009999)
TURBOLADER (6076) (8100,8200,8300 TSN -009999)
TURBOCOMPRESSORE (6076) (8100,8200,8300 TSN -009999)
TURBOCARGADOR (6076) (8100,8200,8300 TSN -009999)
TURBOAGGREGAT (6076) (8100,8200,8300 TSN -009999)
RGP4997 -UN-30MAR98



2D19

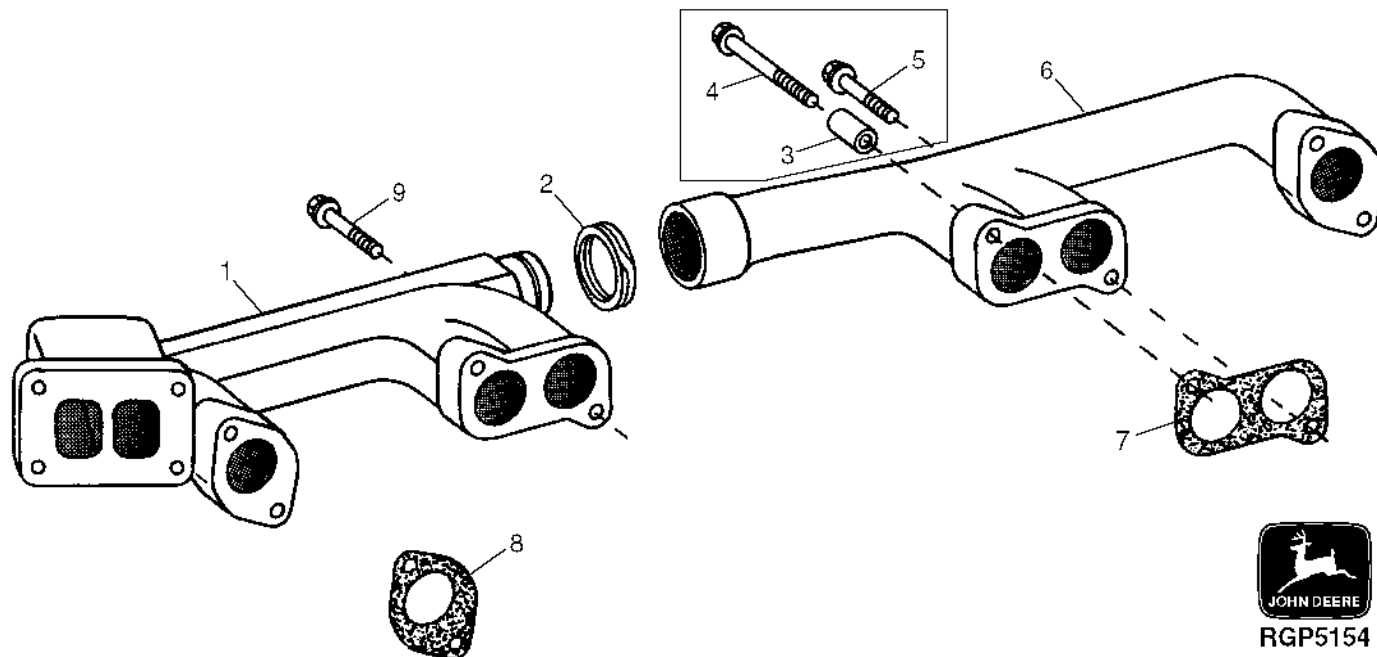
FUEL AND AIR

KEY	PART NO.	PART NAME	QTY	ENGINE			REMARKS
				SERIAL NO.	8 8 8	1 2 3	
1	T11180	ELBOW FITTING	1		X X X		
2	RE54979	TURBOCHARGER	1		X X X		(MARKED RE56237) REMANUFACTURED (SCHWITZER)
3	19H1900	CAP SCREW	1		X X X		5/16" X 3/4"
4	24H1136	WASHER	1		X X X		11/32" X 11/16" X 0.065"
5	AH89486	CLIP	1		X X X		
6	R67092	SEAL	1		X X X		
7	RE62255	OIL LINE	1		X X X		(INLET)
8	R51133	FITTING	1		X X X		
9	TY22467	CLAMP	2		X X X		(SUB FOR AR21839)
10	R87682	HOSE	1		X X X		(SUB RE501270 AND TY22425, THIS APPLICATION)
	TY22425	HOSE	1		X X X		
11	R39503	FITTING	1		X X X		
12	R122618	SCREW	2		X X X		
13A	RE62794	OIL LINE	1		X X X		(SUB RE501270 AND TY22425)
13B	RE501270	OIL LINE	1		X X X		(SUB FOR RE62794 OR RE500157)
14	R105346	GASKET	1		X X X		
15	R54500	SCREW	4		X X X		
16	24H1305	WASHER	4		X X X		13/32" X 13/16" X 0.065"
17	R89879	GASKET	1		X X X		

2D20

FUEL AND AIR

EXHAUST MANIFOLD (6076) (8100,8200,8300 TSN -009999)
 COLLECTEUR D'ÉCHAPPEMENT (6076) (8100,8200,8300 TSN -009999)
 AUSPUFFKRUEMMER (6076) (8100,8200,8300 TSN -009999)
 COLLECTORE DI SCARICO (6076) (8100,8200,8300 TSN -009999)
 COLECTOR DE ESACAPE (6076) (8100,8200,8300 TSN -009999)
 AVGASGRENOR (6076) (8100,8200,8300 TSN -009999)
 RGP5154 -UN-22JAN99

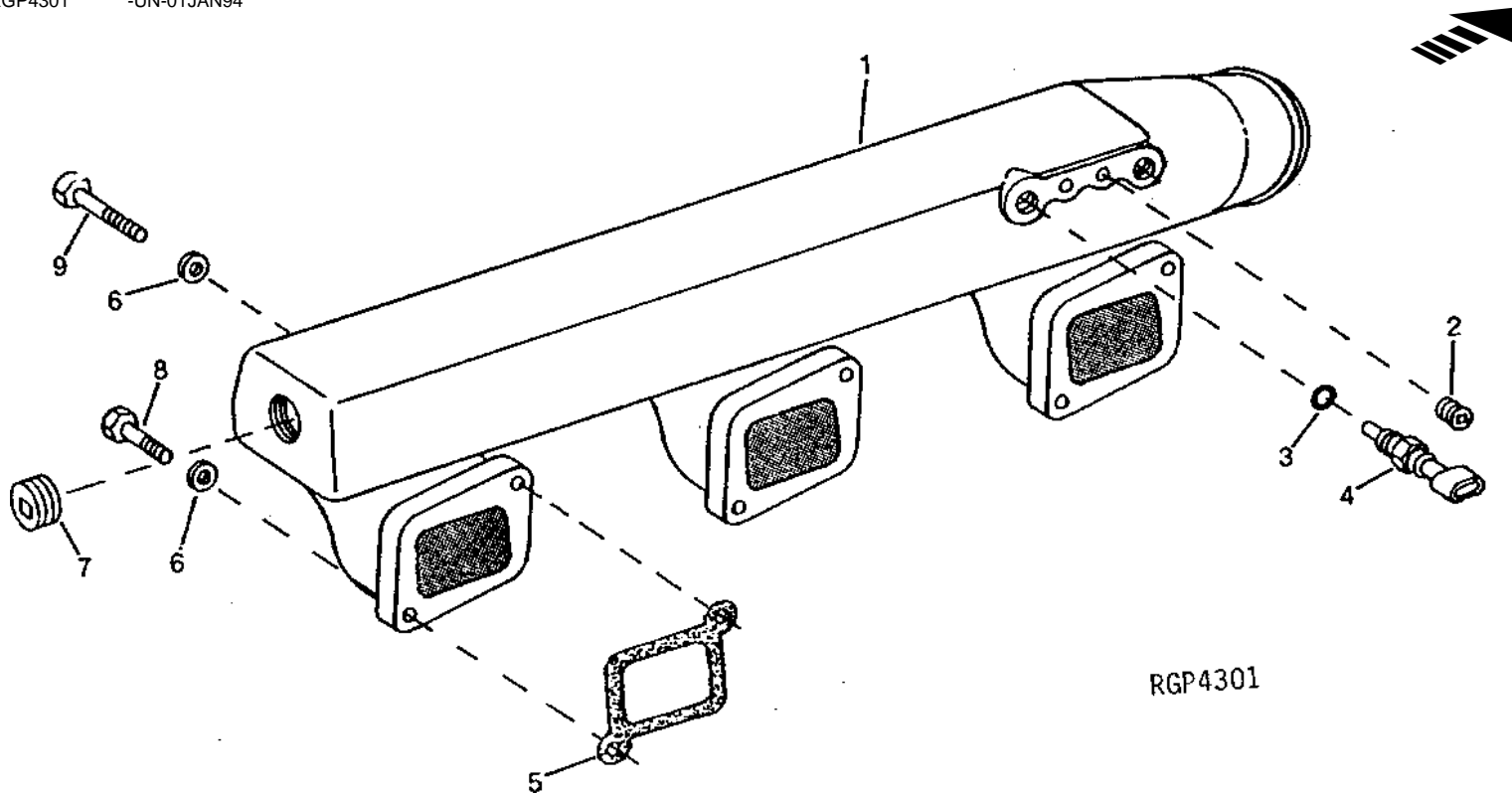


KEY	PART NO.	PART NAME	QTY	ENGINE SERIAL NO.	8 8 8 1 2 3 0 0 0 0 0 0	REMARKS
1	R120645	EXHAUST MANIFOLD	1		X X X	(REAR)
2	R122595	RING	1		X X X	
3	R122502	SPACER	4	-XXXXXX	X X X	(SUB (8) R135359)
4	R125469	CAP SCREW	4	-XXXXXX	X X X	(SUB (8) R135359)
5	R125468	CAP SCREW	4	-XXXXXX	X X X	(SUB (8) R135359)
6	R120644	EXHAUST MANIFOLD	1		X X X	(FRONT)
7	RE62776	GASKET	2		X X X	(SUB FOR R122503)
8	RE62777	GASKET	2		X X X	(SUB FOR R122504)
9	R135359	CAP SCREW	8	XXXXXX-	X X X	

2D21

FUEL AND AIR

INTAKE MANIFOLD (6081) (8100,8200,8300 TSN 010000-)
 PIPE D'ADMISSION (6081) (8100,8200,8300 TSN 010000-)
 LUFTANSAUGKRUEMMER (6081) (8100,8200,8300 TSN 010000-)
 COLLETTORE D'ASPIRAZIONE (6081) (8100,8200,8300 TSN 010000-)
 COLECTOR DE ADMISION DE AIRE (6081) (8100,8200,8300 TSN 010000-)
 INSUGNINGSROR (6081) (8100,8200,8300 TSN 010000-)
 RGP4301 -UN-01JAN94

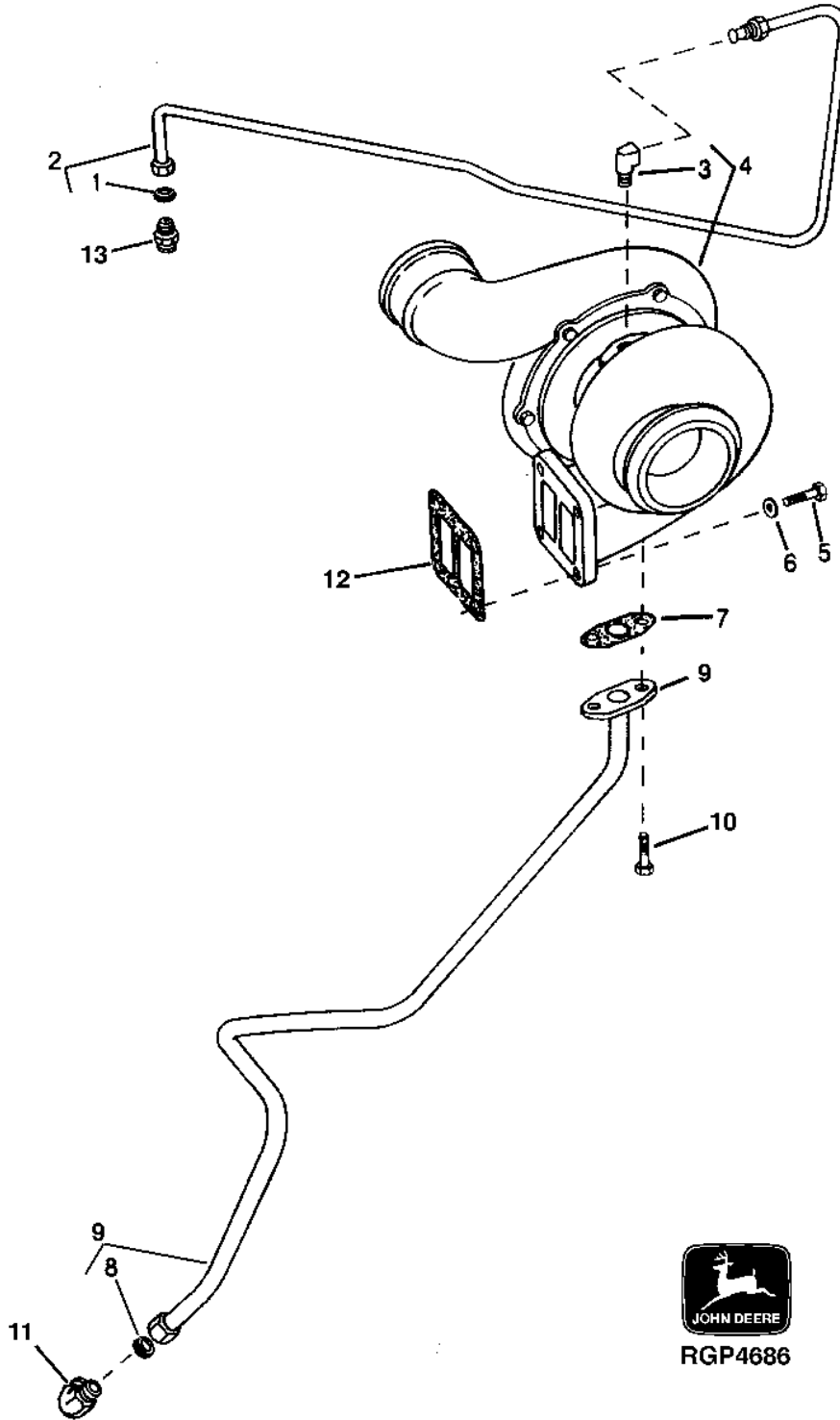


KEY	PART NO.	PART NAME	QTY	ENGINE SERIAL NO.	8	8	8	REMARKS
					1	2	3	
1	R116727	INTAKE MANIFOLD	1		X	X	X	
2	R104592	PIPE PLUG	2		X	X	X	
3	R77673	O-RING	1		X	X	X	
4	RE38310	SENSOR	1		X	X	X	
5	R120646	GASKET	3		X	X	X	
6	24H1682	WASHER	6		X	X	X	13/32" X 7/8" X 0.120"
7	15H280	PIPE PLUG	1		X	X	X	
8	19H1801	CAP SCREW	3		X	X	X	3/8" X 2"
9	19H2458	CAP SCREW	3		X	X	X	3/8" X 3"

2D22

FUEL AND AIR

TURBOCHARGER AND OIL LINES (6081) (8100,8200,8300 TSN 010000-)
TURBOCOMPRESSEUR (6081) (8100,8200,8300 TSN 010000-)
TURBOLADER (6081) (8100,8200,8300 TSN 010000-)
TURBOCOMPRESSORE (6081) (8100,8200,8300 TSN 010000-)
TURBOCARGADOR (6081) (8100,8200,8300 TSN 010000-)
TURBOAGGREGAT (6081) (8100,8200,8300 TSN 010000-)
RGP4686 -UN-01JUN96



RGP4686

2D23

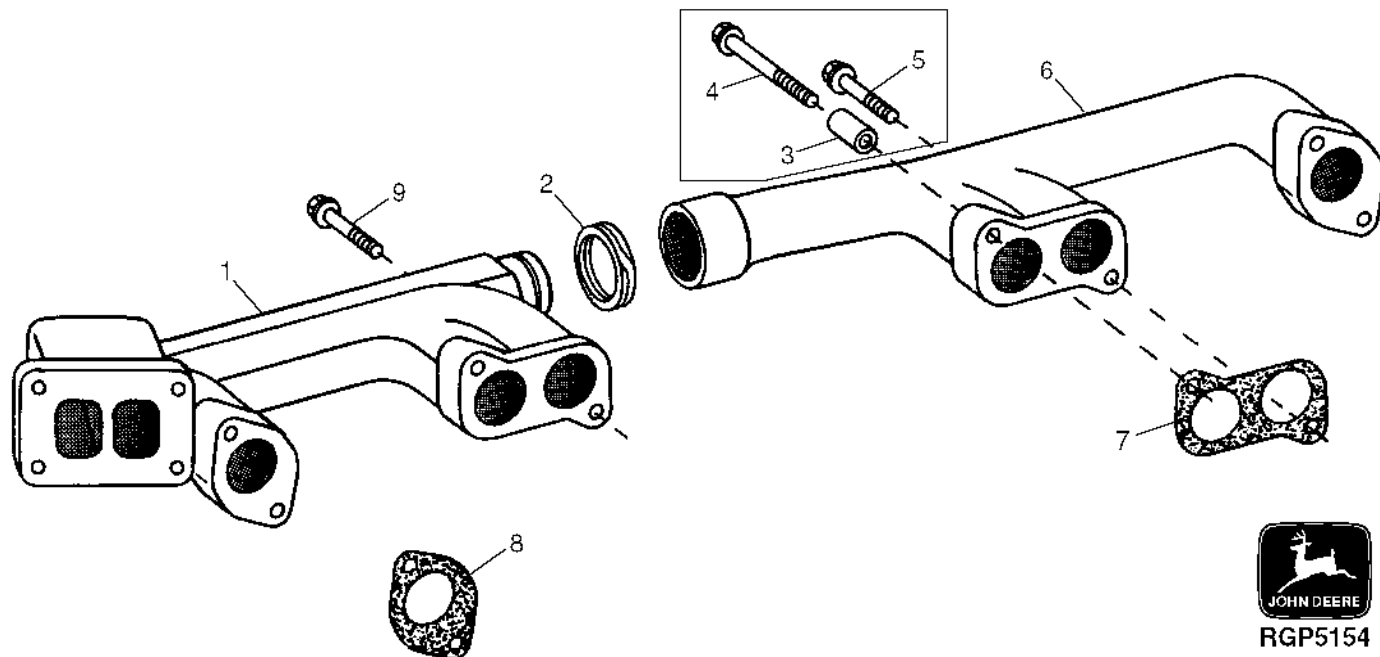
FUEL AND AIR

KEY	PART NO.	PART NAME	QTY	ENGINE			REMARKS
				SERIAL NO.	8 8 8	1 2 3	
1	R67092	SEAL	1		X X X		
2	RE57530	OIL LINE	1		X X X		
3	T11180	ELBOW FITTING	1		X X X		
4	RE64936	TURBOCHARGER	1		X X X		(REMANUFACTURED) (SCHWITZER) (MARKED RE64765)
5	R54500	SCREW	4		X X X		9.525 X 25.400 MM (3/8" X 1")
6	24H1305	WASHER	8		X X X		13/32" X 13/16" X 0.065"
7	R105346	GASKET	1		X X X		
8	R120138	SLEEVE	1		X X X		(PACKING)
9	RE55542	OIL LINE	1		X X X		
10	R122618	SCREW	2		X X X		
11	R120187	ELBOW FITTING	1		X X X		(LH)
12	R89879	GASKET	1		X X X		
13	RE58294	CONNECTOR	1		X X X		

2D24

FUEL AND AIR

EXHAUST MANIFOLD (6081) (8100,8200,8300 TSN 010000-)
 COLLECTEUR D'ÉCHAPPEMENT (6081) (8100,8200,8300 TSN 010000-)
 AUSPUFFKRUEMMER (6081) (8100,8200,8300 TSN 010000-)
 COLLETTORE DI SCARICO (6081) (8100,8200,8300 TSN 010000-)
 COLECTOR DE ESACAPE (6081) (8100,8200,8300 TSN 010000-)
 AVGASGRENOR (6081) (8100,8200,8300 TSN 010000-)
 RGP5154 -UN-22JAN99

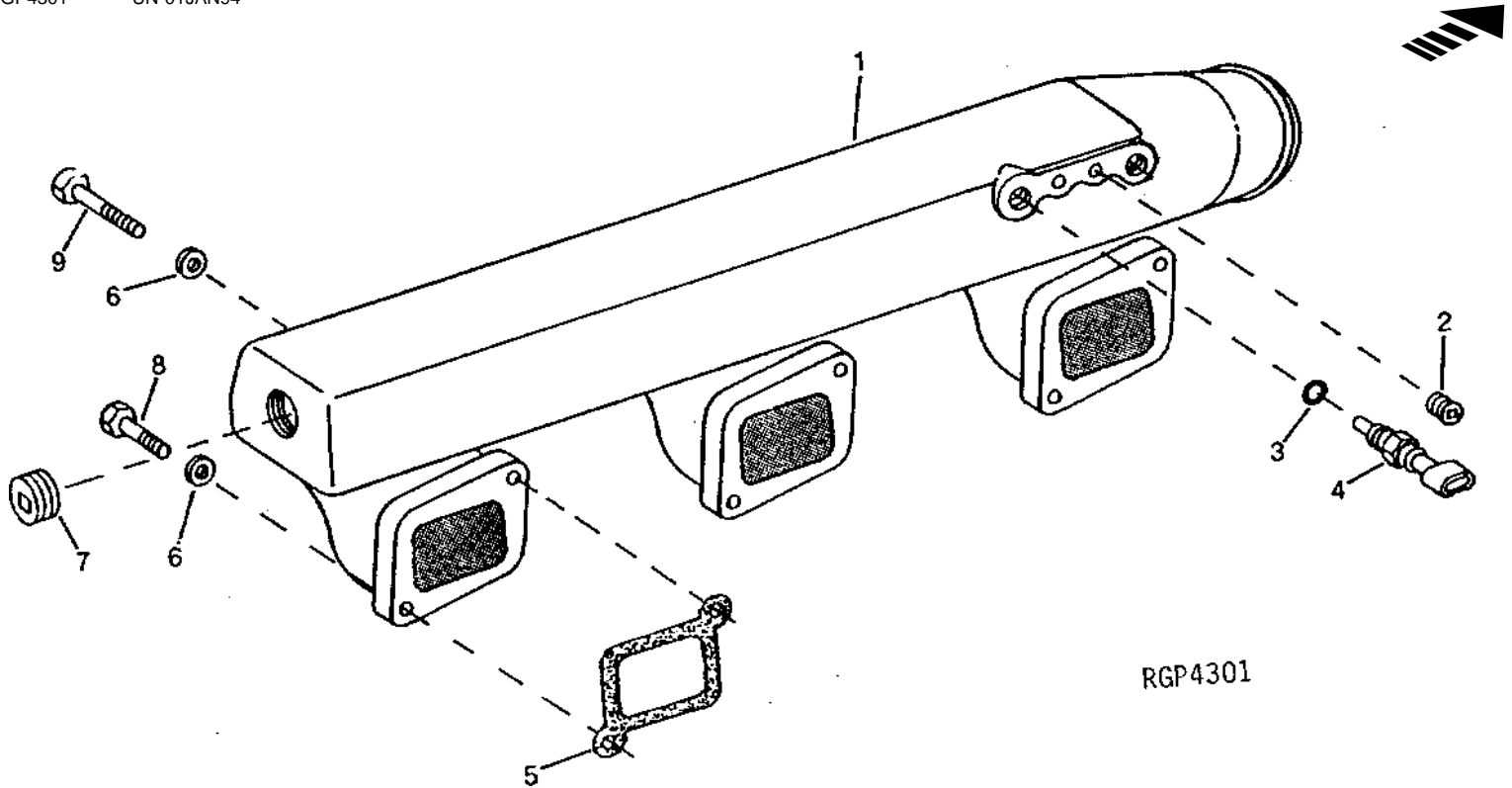


KEY	PART NO.	PART NAME	QTY	ENGINE SERIAL NO.	8	8	8	REMARKS
					1	2	3	
1	R120645	EXHAUST MANIFOLD	1		X	X	X	(REAR)
2	R122595	RING	1		X	X	X	
3	R122502	SPACER	4	-XXXXXX	X	X	X	(SUB (8) R135359)
4	R125469	CAP SCREW	4	-XXXXXX	X	X	X	(SUB (8) R135359)
5	R125468	CAP SCREW	4	-XXXXXX	X	X	X	(SUB (8) R135359)
6	R120644	EXHAUST MANIFOLD	1		X	X	X	(FRONT)
7	RE62776	GASKET	2		X	X	X	(SUB FOR R122503)
8	RE62777	GASKET	2		X	X	X	(SUB FOR R122504)
9	R135359	CAP SCREW	8	XXXXXX-	X	X	X	

2D25

FUEL AND AIR

INTAKE MANIFOLD
 PIPE D'ADMISSION
 LUFTANSAUGKRUEMMER
 COLLETTORE D'ASPIRAZIONE
 COLECTOR DE ADMISION E AIRE
 INSUGNINGSROR
 RGP4301 -UN-01JAN94

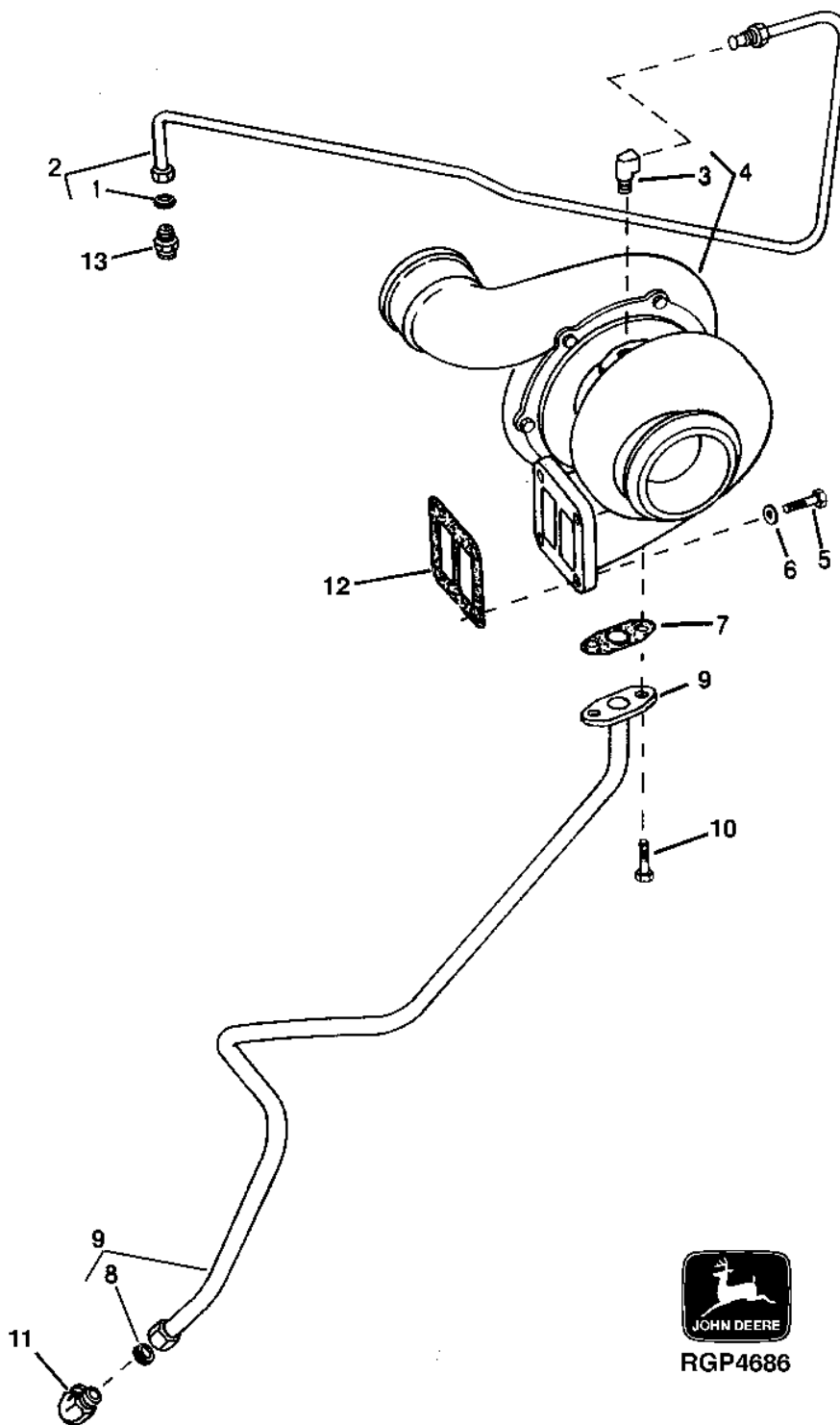


RGP4301

KEY	PART NO.	PART NAME	QTY	ENGINE SERIAL NO.	REMARKS
1	R116727	INTAKE MANIFOLD	1		
2	R104592	PIPE PLUG	2		
3	R77673	O-RING	1		
4	RE38310	SENSOR	1		
5	R120646	GASKET	3		
6	24H1682	WASHER	6		13/32" X 7/8" X 0.120"
7	15H280	PIPE PLUG	1		
8	19H1801	CAP SCREW	3		3/8" X 2"
9	19H2458	CAP SCREW	3		3/8" X 3"

2E1

TURBOCHARGER AND OIL LINES
TURBOCOMPRESSEUR
TURBOLADER
TURBOCOMPRESSORE
TURBOCARGADOR
TURBOAGGREGAT
RGP4686 -UN-01JUN96



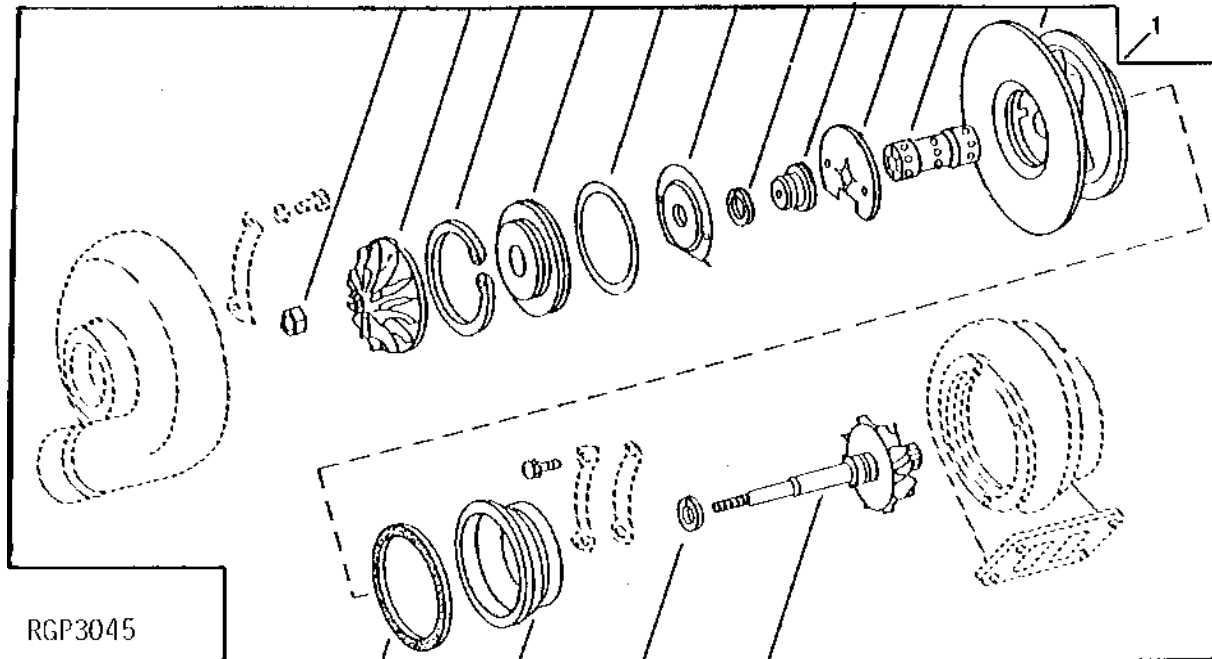
RGP4686

2E2

FUEL AND AIR

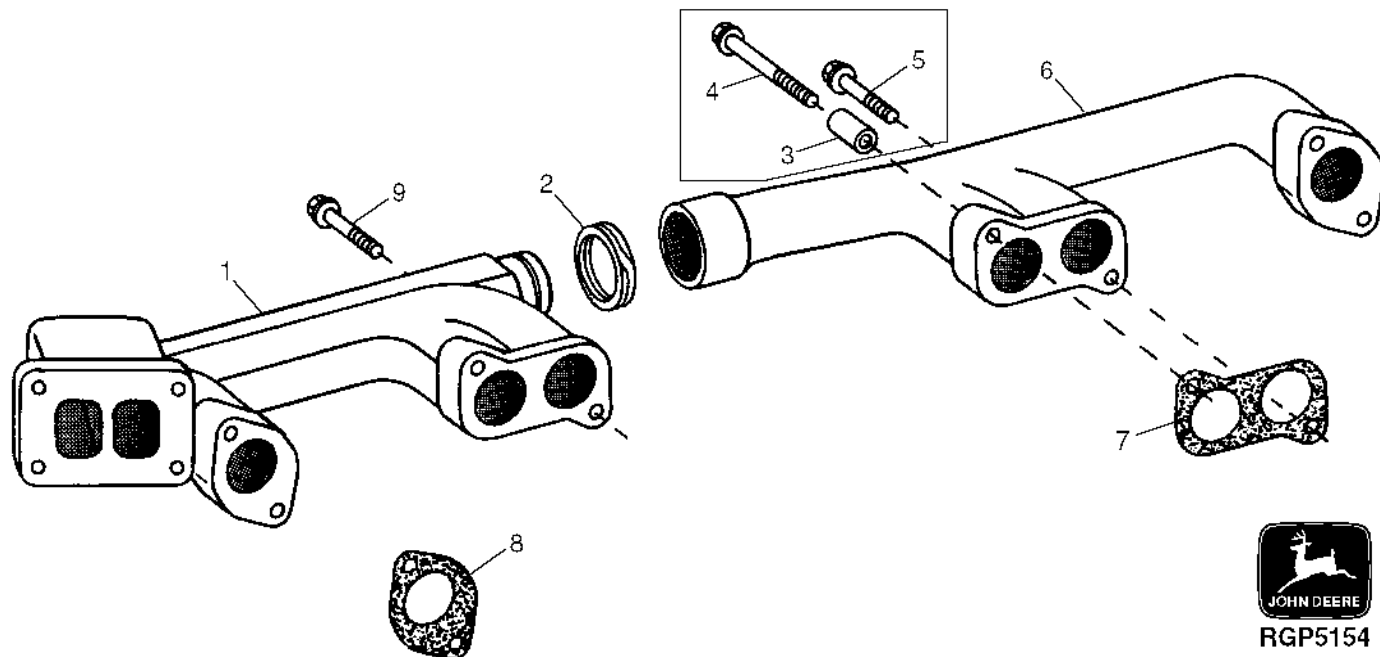
KEY	PART NO.	PART NAME	QTY	ENGINE SERIAL NO.	8 4 0 0	REMARKS
1	R67092	SEAL	1		X	
2	RE57530	OIL LINE	1		X	
3	T11180	ELBOW FITTING	1		X	
4	RE57184	TURBOCHARGER	1		X	(REMANUFACTURED) (SCHWITZER) (MARKED RE56488)
5	R54500	SCREW	4		X	9.525 X 25.400 MM (3/8" X 1")
6	24H1305	WASHER	8		X	13/32" X 13/16" X 0.065"
7	R105346	GASKET	1		X	
8	R120138	SLEEVE	1		X	
9	RE55542	OIL LINE	1		X	
10	R122618	SCREW	2		X	(LH)
11	R120187	ELBOW FITTING	1		X	
12	R89879	GASKET	1		X	
13	RE58294	CONNECTOR	1		X	

TURBOCHARGER CENTER HOUSING WITH ROTATING PARTS (SCHWITZER)
 TURBOCOMPRESSEUR (SCHWITZER)
 TURBOLADER (SCHWITZER)
 TURBOCOMPRESSORE (SCHWITZER)
 TURBOCARGADOR (SCHWITZER)
 TURBOAGGREGAT (SCHWITZER)
 RGP3045 -UN-01JAN94



KEY	PART NO.	PART NAME	QTY	ENGINE SERIAL NO.	REMARKS
1	RE57185	HOUSING	1	8 4 0 0	X (SUB RE57184)

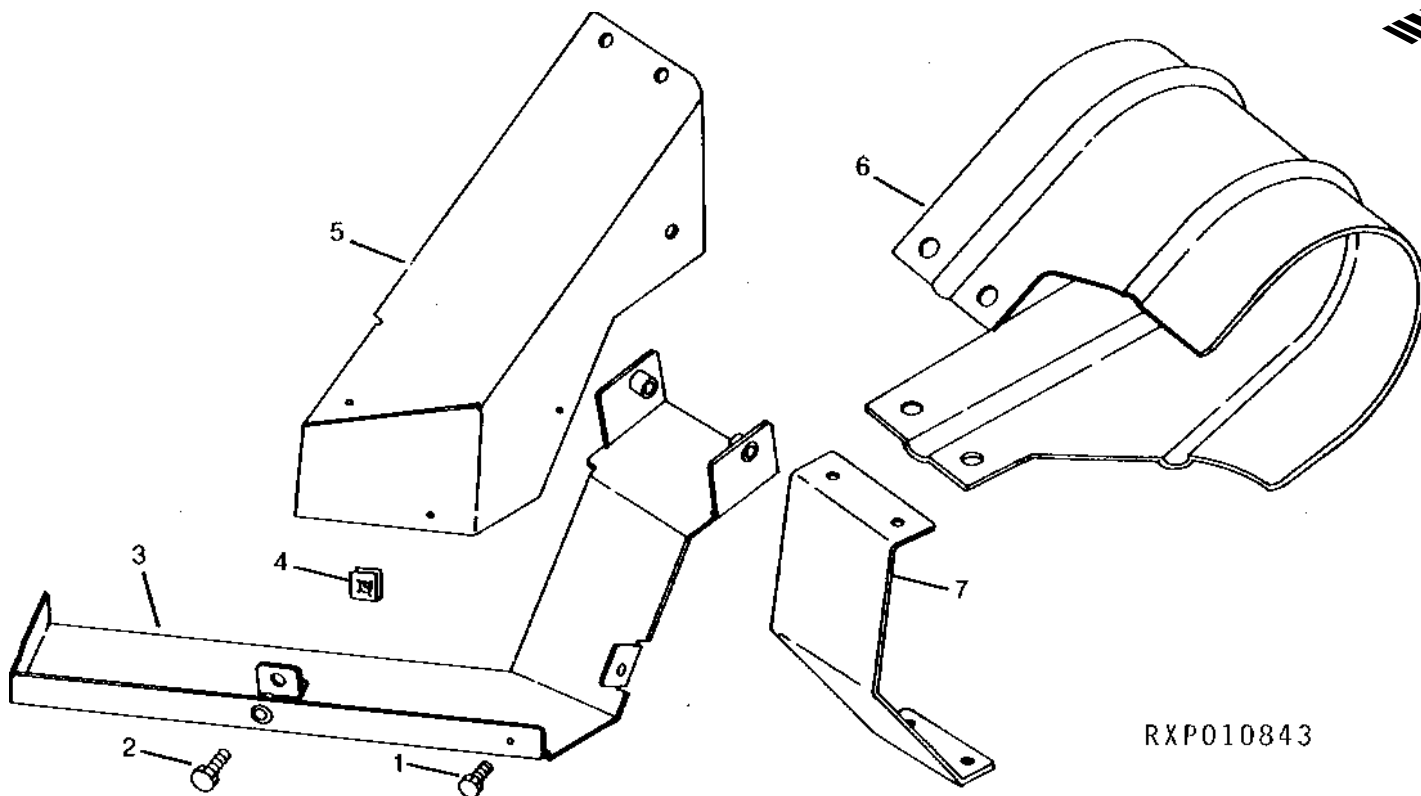
EXHAUST MANIFOLD
 COLLECTEUR D'ÉCHAPPEMENT
 AUSPUFFKRUEMMER
 COLLECTORE DI SCARICO
 COLECTOR DE ESACAPE
 AVGASGRENORR
 RGP5154 -UN-22JAN99



KEY	PART NO.	PART NAME	QTY	ENGINE SERIAL NO.	REMARKS
1	R120645	EXHAUST MANIFOLD	1		X (REAR)
2	R122595	RING	1		X
3	R122502	SPACER	4	-XXXXXX	X (SUB (8) R135359)
4	R125469	CAP SCREW	4	-XXXXXX	X (SUB (8) R135359)
5	R125468	CAP SCREW	4	-XXXXXX	X (SUB (8) R135359)
6	R120644	EXHAUST MANIFOLD	1		X (FRONT)
7	RE62776	GASKET	2		X (SUB FOR R122503)
8	RE62777	GASKET	2		X (SUB FOR R122504)
9	R135359	CAP SCREW	8	XXXXXX-	X

MEMORANDA
MEMORANDA
MEMORANDA
MEMORANDA
MEMORANDA

EXHAUST SHIELDS
 ECHAPPEMENT, DISPOSITIFS DE PROTECTION
 AUSPUFF-SCHILDER
 PROTEZIONI DI SCARICO
 PROTECTORES DEL ESCAPE
 AVGASSKYDD
 RXP010843 -UN-01JAN94

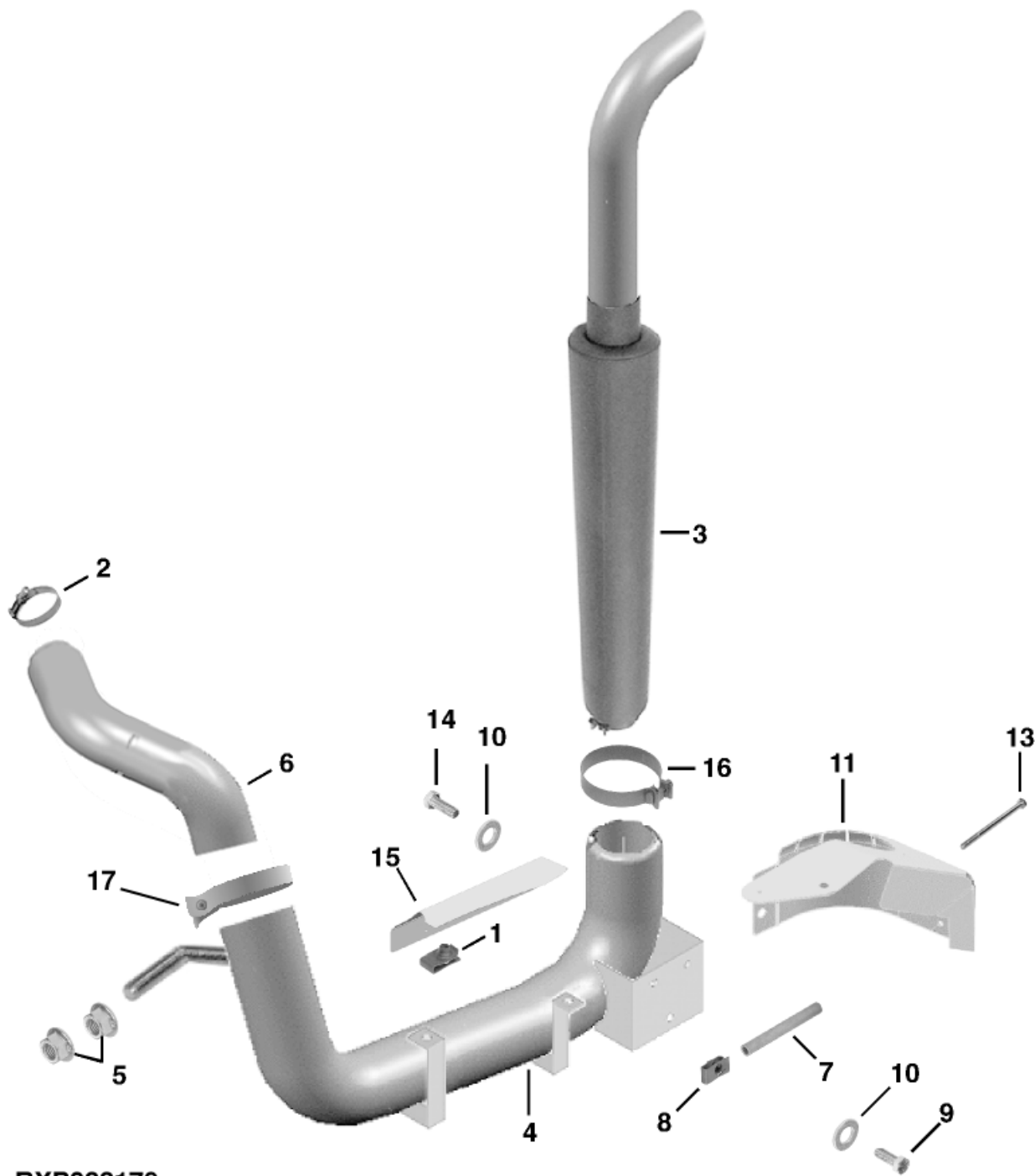


RXP010843

KEY	PART NO.	PART NAME	QTY	TRACTOR SERIAL NO.	A		REMARKS
					L	L	
1	19M7775	SCREW	10		X		M6 X 16
2	19M7801	SCREW	1		X		M8 X 60
3	RE60826	SHIELD	1		X		
4	R151387	NUT	10		X		
5	RE60825	SHIELD	1		X		
6	RE60827	SHIELD	1		X		
7	RE60828	SHIELD	1		X		
8	19M8125	SCREW	1		X		M8 X 140
9	14M7298	FLANGE NUT	1		X		M8

2E6

EXHAUST SYSTEM
ECHAPPEMENT
ABGASANLAGE
SCARICO
SISTEMA DE ESCAPE
AVGASSYSTEM
RXP022178 -UN-09SEP97



RXP022178

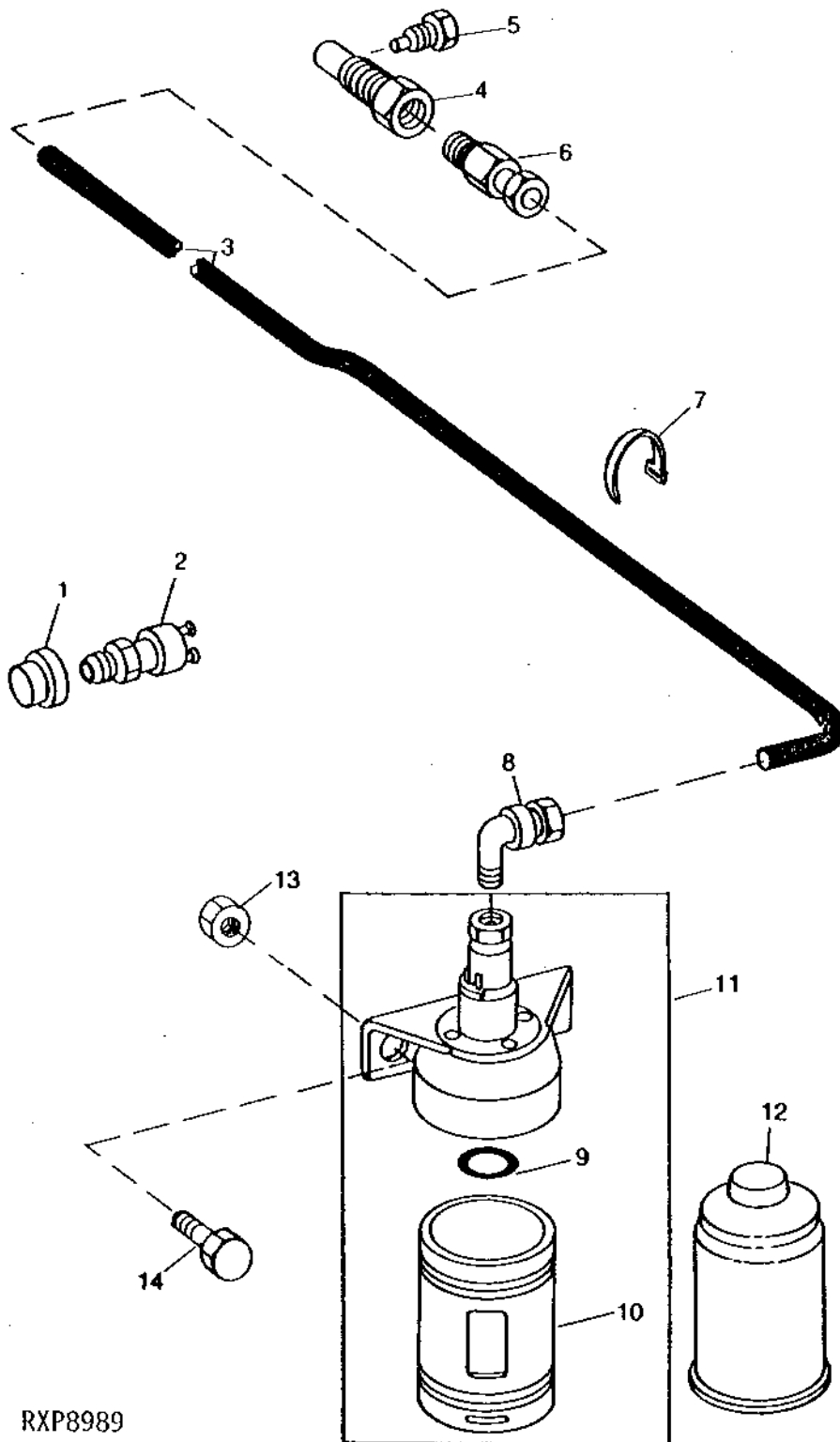
2E7

FUEL AND AIR

KEY	PART NO.	PART NAME	QTY	TRACTOR SERIAL NO.	A L L	REMARKS
1	R151387	NUT	5		X	
2	RE157613	CLAMP	1		X	
3	RE44716	MUFFLER	1		X	
4	RE61175	PIPE	1	-XXXXXX	X	(SUB RE151728, R120332, R124679 AND 19M7862)
	RE151728	PIPE	1	XXXXXX-	X	(SUB FOR RE64215) W/CLAMP
5	14M7299	FLANGE NUT	2		X	M12
6	RE44784	EXHAUST PIPE	1		X	
7	28H3403	BUSHING	1		X	0.269" X 0.405" X 4.090"
8	R120332	NUT	1		X	
9	19M7493	CAP SCREW	3		X	M12 X 40
10	24M7226	WASHER	3		X	13 X 35 X 5 MM
11	R124418	SHIELD	1		X	
12	24M7088	WASHER	6		X	6.600 X 12 X 1.600 MM
13	19M8827	SCREW	1		X	M6 X 130
14	19M7560	CAP SCREW	5		X	M6 X 16
15	R124419	SHIELD	1		X	
16	RE53282	CLAMP	1		X	
17	RE52087	CLAMP	1		X	

2E8

ETHER COLD WEATHER STARTING AID
AIDE AU DEMARRAGE A L'ETHER
AETHER-STARTRILFE
DISP. PERL'AVVIAMENTO A FREDDO CON ETRE
DISP. PARA FACILITAR EL ARRANQUE EN FRIJO CON ETER
KALLSTART(ETER)
RXP8989 -UN-01JAN94



RXP8989

2E9

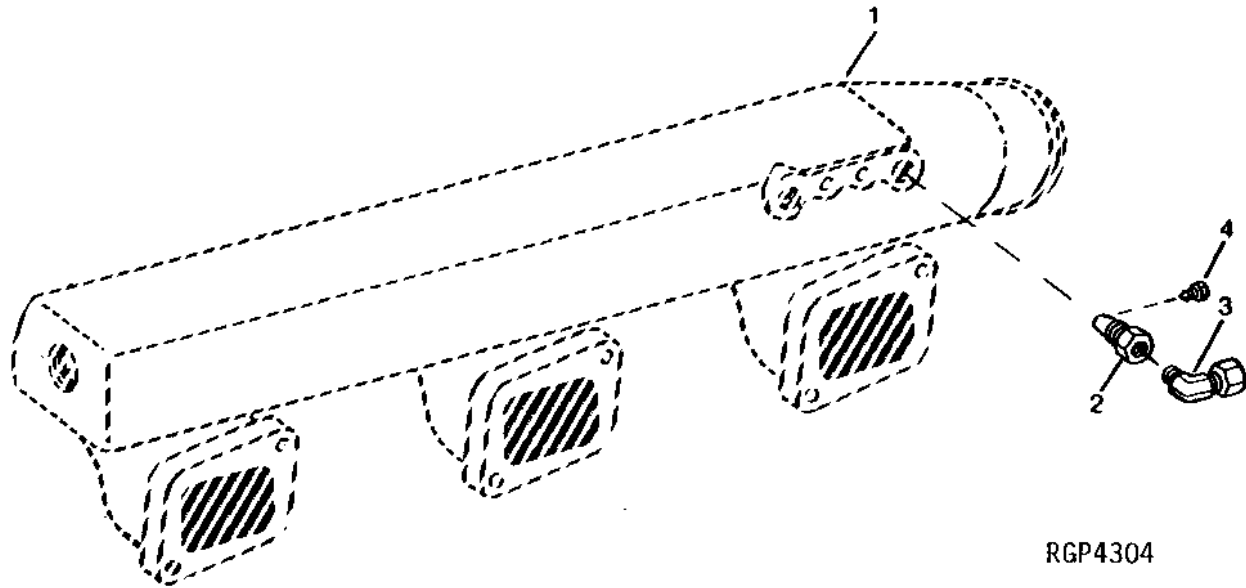
FUEL AND AIR

KEY	PART NO.	PART NAME	QTY	TRACTOR SERIAL NO.	A L L	REMARKS
1	T55585	CAP	1		X	
2	R39554	SWITCH	1		X	
3	R123993	HOSE	1		X	
4	R47160	NOZZLE HOLDER	1		X	
5	T155858	NOZZLE	1		X	(SUB FOR R28583)
6	RE21790	ELBOW FITTING	1		X	
7	R44302	TIE BAND	AR		X	
8	RE21790	ELBOW FITTING	1		X	
9	T13119	O-RING	1		X	
10	R73498	CONTAINER	1		X	
11	RE48310	STARTING AID SOLENOID	1		X	
	RE48321	ADAPTER	1		X	
12	RE33636	STARTING FLUID	1		X	
13	14H785	NUT	NA		X	5/16"
14	37M7031	SCREW	2		X	M6 X 16

2E10

FUEL AND AIR

ETHER COLD WEATHER STARTING AID FITTINGS
 RACCORDS D'AIRE DEMARRAGE A L'ETHER POUR TEMPS FROID
 AETHERSTARHILFE UND FITTINGS
 RACCORDI DISPOSITIVO AUSILIARE DI AVVIAMENTO A BASSE TEMPERATURE
 CONEXIONES AUXILIARES DE TERMOARRANQUE
 ETERKALLSTARHJAEHP MED ANSLUTNINGAR
 RGP4304 -UN-01JAN94

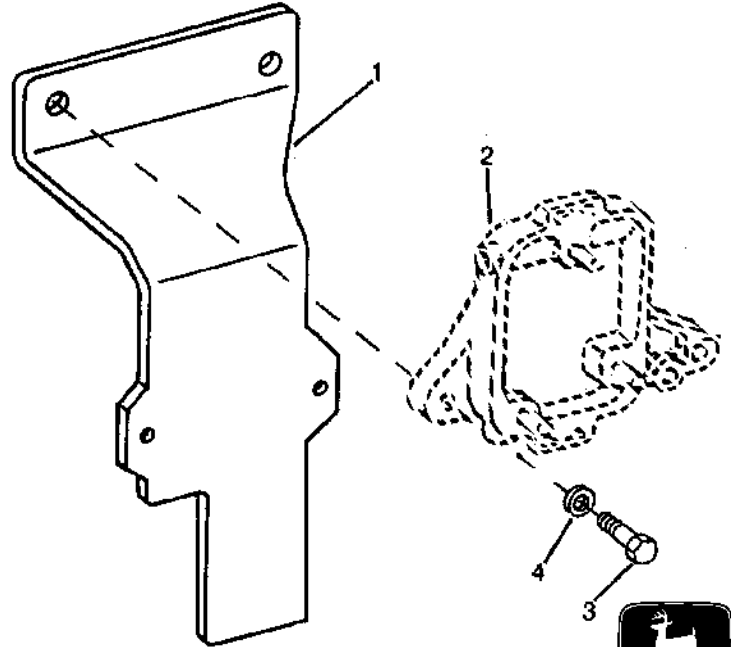
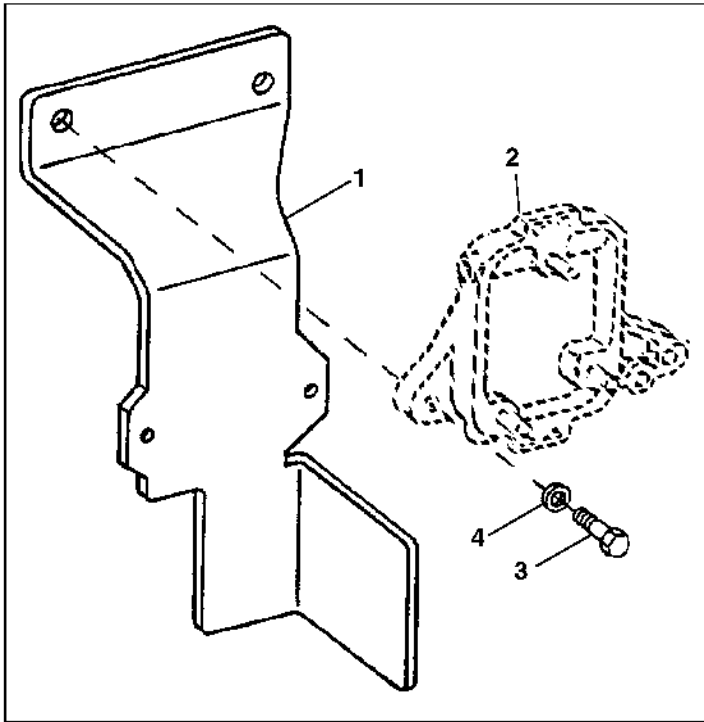


KEY	PART NO.	PART NAME	QTY	ENGINE SERIAL NO.	A	REMARKS
					L	
1	INTAKE MANIFOLD	1		X	
2	R47160	NOZZLE HOLDER	1		X	
3	RE21790	ELBOW FITTING	1		X	
4	T155858	NOZZLE	1		X	(SUB FOR R28583)

2E11

FUEL AND AIR

ETHER COLD WEATHER STARTING AID BRACKET
 DISPOSITIF D'AIDE AU DEMARRAGE A L'ETHER, SUPPORT
 HALTERUNG DER KALTWETTER-STARTHILFE
 STAFFA DEL DISPOSITIVO (SUSSIDIARIO) DI AVVIAMENTO CON ETERE
 SOPORTE DEL AUXILIAR DE ETER PARA ARRANQUE EN FRIJO
 ETERSTARHJAELP, FAESTE
 RGP4994 -UN-26MAR98

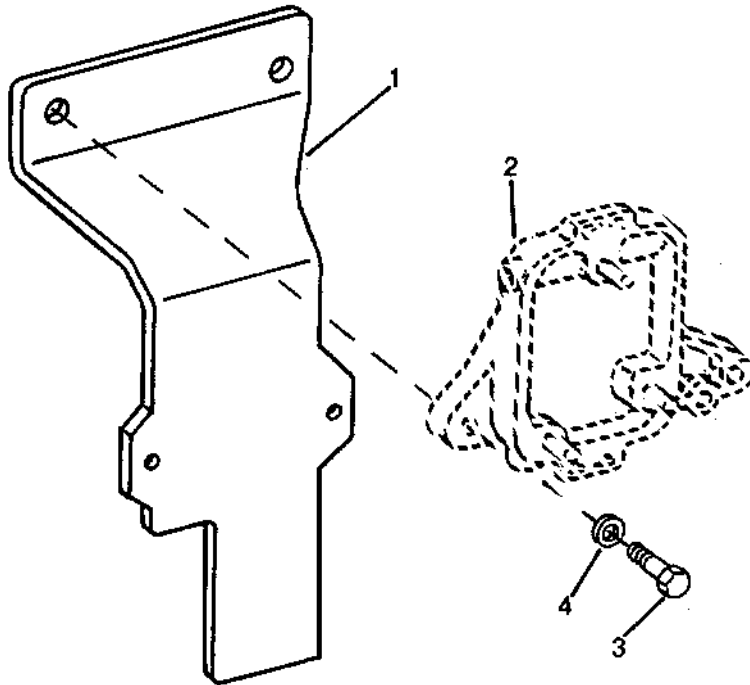


KEY	PART NO.	PART NAME	QTY	ENGINE SERIAL NO.	REMARKS
				8	
				4	
				0	
				0	
1	R110710	BRACKET	1	-XXXXXX	X
	R128490	BRACKET	1	XXXXXX-	X
2	BASE	1		X
3	19H3205	CAP SCREW	2		X 7/16" X 1-1/2"
4	24H1325	WASHER	2		X 15/32" X 59/64" X 0.065"

2E12

FUEL AND AIR

ETHER COLD WEATHER STARTING AID BRACKET (6081) (8100,8200,8300 TSN 010000-)
 DISPOSITIF D'AIDE AU DEMARRAGE A L'ETHER, SUPPORT (6081) (8100,8200,8300 TSN 010000-)
 HALTERUNG DER KALTWETTER-STARTHILFE (6081) (8100,8200,8300 TSN 010000-)
 STAFFA DEL DISPOSITIVO (SUSSIDIARIO) DI AVVIAMENTO CON ETERE (6081) (8100, 8200,8300 TSN 010000-)
 SOPORTE DEL AUXILIAR DE ETER PARA ARRANQUE EN FRIJO (6081)(8100,8200,8300 TSN 010000-)
 ETERSTARHJAELP, FAESTE (6081) (8100,8200,8300 TSN 010000-)
 RGP4888 -UN-13MAY97

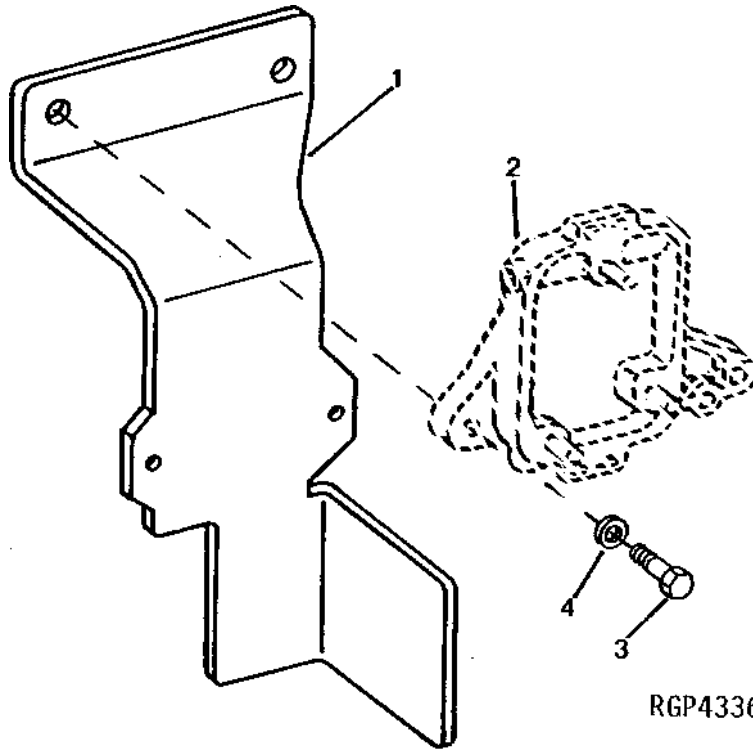


RGP4888

KEY	PART NO.	PART NAME	QTY	ENGINE SERIAL NO.				REMARKS
					8	8	8	
1	R128490	BRACKET	1		X	X	X	
2	BASE	1		X	X	X	
3	19H3205	CAP SCREW	2		X	X	X	7/16" X 1-1/2"
4	24H1325	WASHER	2		X	X	X	15/32" X 59/64" X 0.065"

2E13

ETHER COLD WEATHER STARTING AID BRACKET (6076) (8100,8200,8300 TSN -009999)
 DISPOSITIF D'AIDE AU DEMARRAGE A L'ETHER, SUPPORT (6076) (8100,8200,8300 TSN -009999)
 HALTERUNG DER KALTWETTER-STARTHILFE (6076) (8100,8200,8300 TSN -009999)
 STAFFA DEL DISPOSITIVO (SUSSIDIARIO) DI AVVIAMENTO CON ETERE (6076) (8100, 82,83 TSN -009999)
 SOPORTE DEL AUXILIAR DE ETER PARA ARRANQUE EN FRIJO (6076) (8100,8200,8300 TSN -009999)
 ETERSTARHJAELP, FAESTE (6076) (8100,8200,8300 TSN -009999)
 RGP4336 -UN-01JAN94



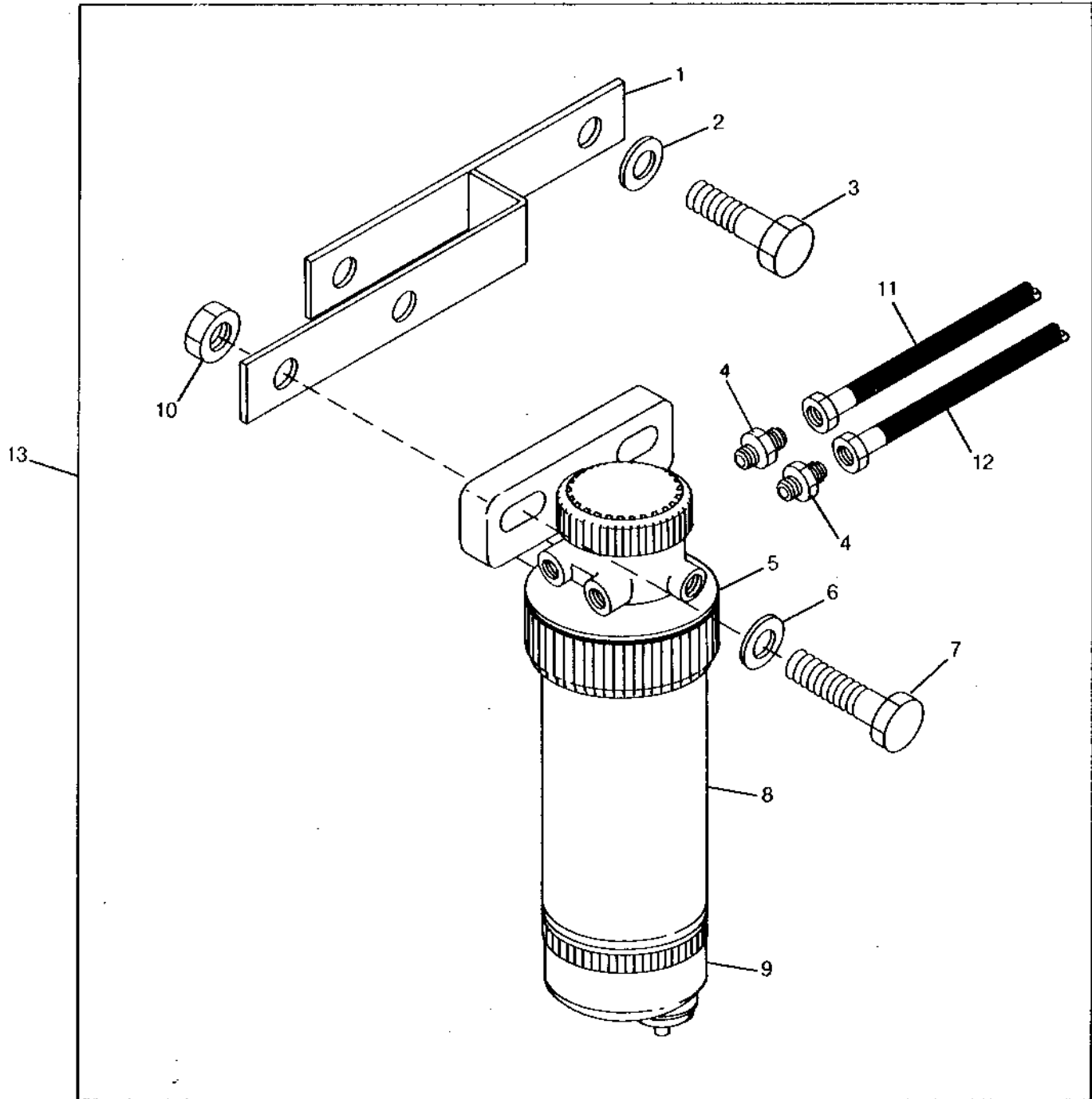
RGP4336

KEY	PART NO.	PART NAME	QTY	ENGINE SERIAL NO.	8 8 8 1 2 3 0 0 0 0 0 0	REMARKS
1	R110710	BRACKET	1		X X X	
2	BASE	1		X X X	
3	19H3205	CAP SCREW	2		X X X	7/16" X 1-1/2"
4	24H1325	WASHER	2		X X X	15/32" X 59/64" X 0.065"

2E14

FUEL AND AIR

FUEL FILTER/SEDIMENT BOWL (8100,8200,8300 -009999)
FILTRE A COMBUSTIBLE / BOL DE DECANTATION (8100,8200,8300 -009999)
KRAFTSTOFFFILTER / ABSCHIEDERGEFAESS (8100,8200,8300 -009999)
KRAFTSTOFFFILTER / ABSCHIEDERGEFAESS (8100,8200,8300 -009999)
FILTRO DE COMBUSTIBLE / VASO DE DECANTACION (8100,8200,8300 -009999)
VATTENAVSKILJARE (8100,8200,8300 -009999)
RXP010845 -UN-01JAN94



RXP010845

2E15

FUEL AND AIR

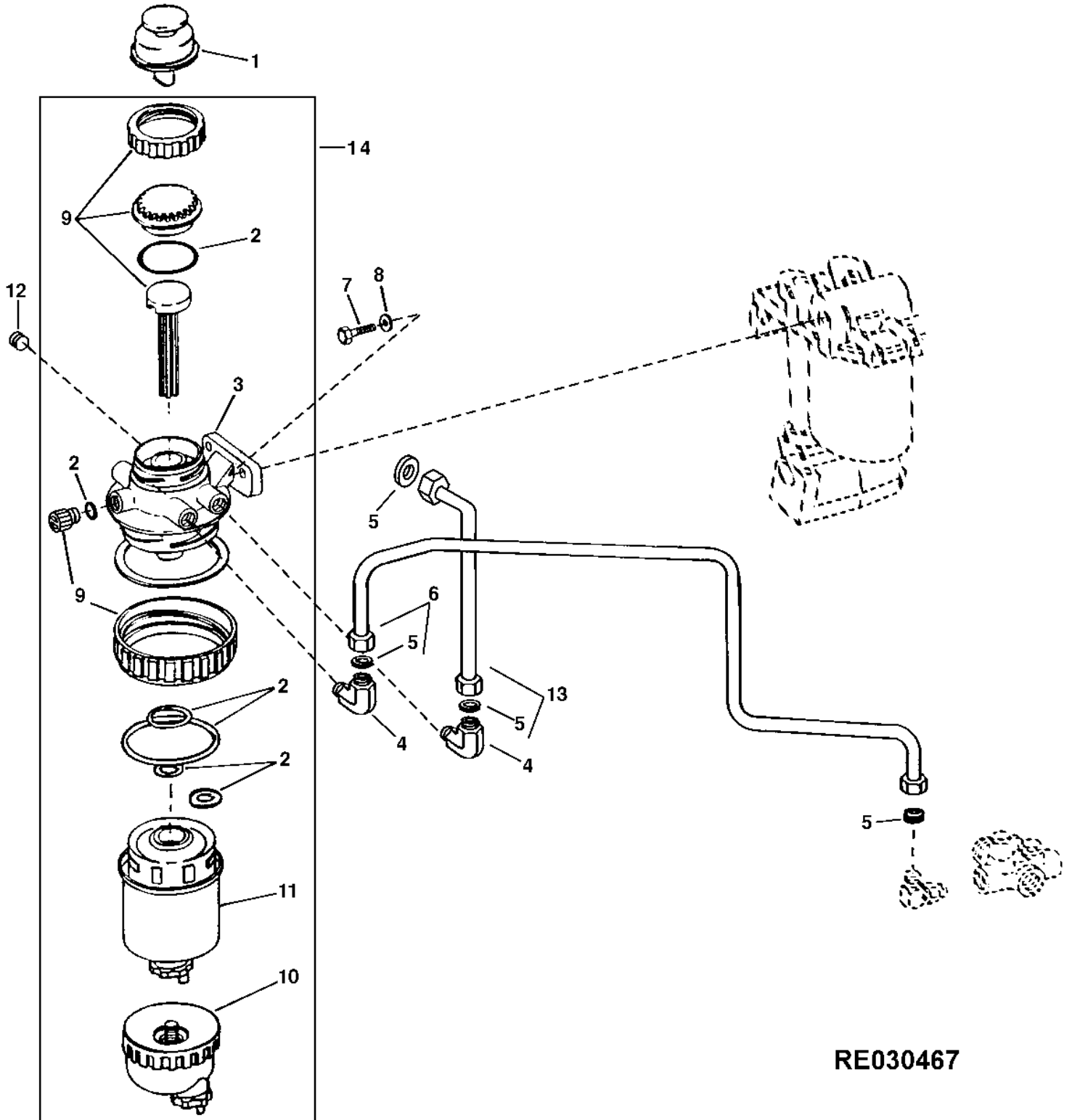
KEY	PART NO.	PART NAME	QTY	TRACTOR			REMARKS
				SERIAL NO.	8 8 8	1 2 3	
1	RE60559	SUPPORT	1	X	X	X	
2	24M7051	WASHER	2	X	X	X	21 X 37 X 3 MM
3	19H1871	CAP SCREW	2	X	X	X	3/4" X 1-1/4"
4	R122789	FITTING	2	X	X	X	
5	RE500161	KIT	1	X	X	X	(SUB FOR RE54077, RE63182 OR RE63183)
	RE51649	KIT	1	X	X	X	
6	24M7238	WASHER	2	X	X	X	8.700 X 17 X 2 MM
7	19M7513	CAP SCREW	2	X	X	X	M8 X 30
8	RE65431	FILTER ELEMENT	1	X	X	X	(SUB FOR RE58376 OR RE62423)
9	RE51650	SEDIMENT BOWL	1	X	X	X	
10	14M7273	NUT	2	X	X	X	M8
11	RE61665	HYDRAULIC HOSE	1	X	X	X	
12	RE58881	HYDRAULIC HOSE - FABRICATE	1	X	X	X	
13	AR112618	SEPARATOR	1	X	X	X	(FI)
..	RE50752	SEAL KIT	1	X	X	X	(A)
..	R27094	DRAIN PLUG	2	X	X	X	

- (A) O-RING KIT
 JEU DE PIECES DE JOINT TORIQUE
 O-RINGSATZ
 SERIE PEZZI ANELLI O-R
 JUEGO DE ANILLO TORICO
 O-RINGSATS

2E16

FUEL AND AIR

PRE-FUEL FILTER AND LINE (8100, 8200, 8300 TSN 010000-)
PREFILTRE A CARBURANT ET CONDUITE (8100, 8200, 8300 TSN 010000-)
KRAFTSTOFF-VORFILTER UND LEITUNG (8100, 8200, 8300 TSN 010000-)
PREFILTRO E TUBO DI ALIMENTAZIONE (8100, 8200, 8300 TSN 010000-)
PREFILTRO DE COMBUSTIBLE Y LINEA (8100, 8200, 8300 TSN 010000-)
BRAENSLEFOERFILTER OCH LEDNING (8100, 8200, 8300 TSN 010000-)
RE030467 -UN-22APR99



RE030467

2E17

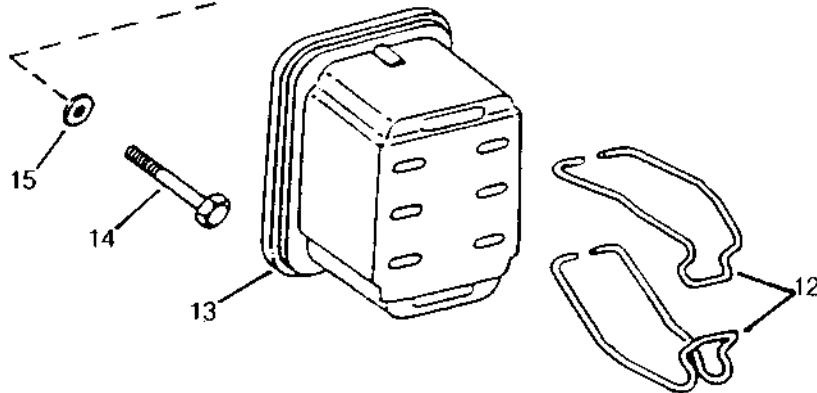
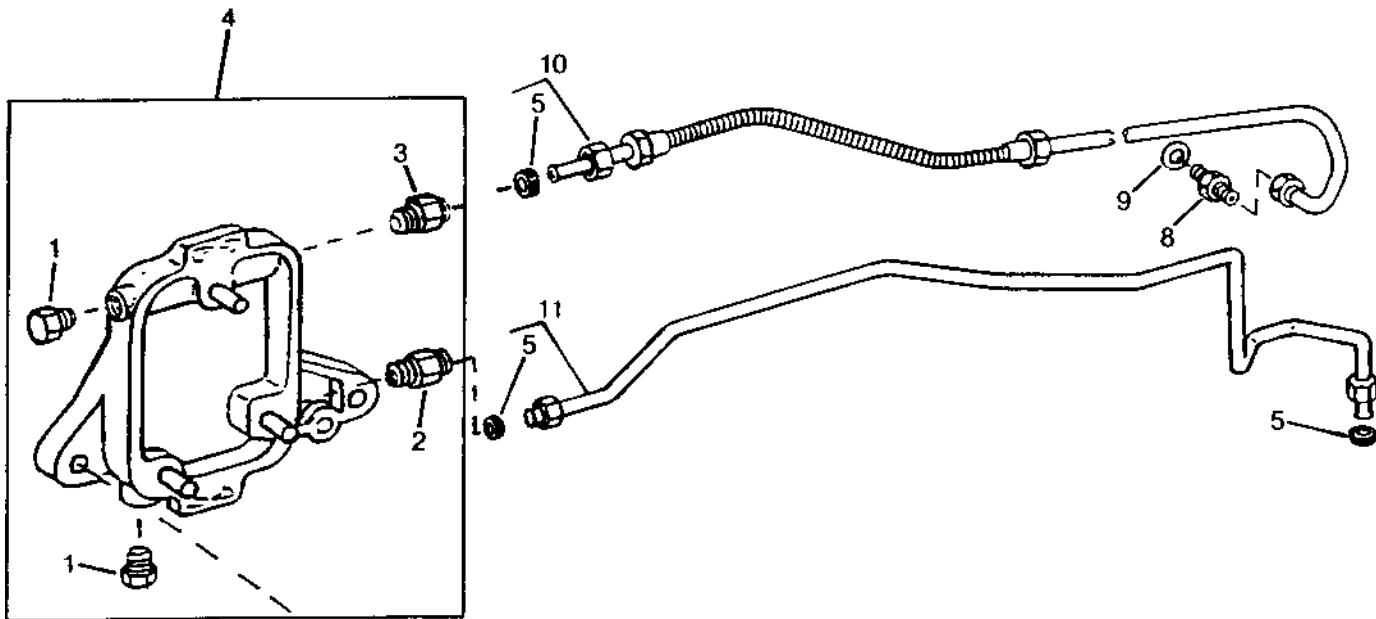
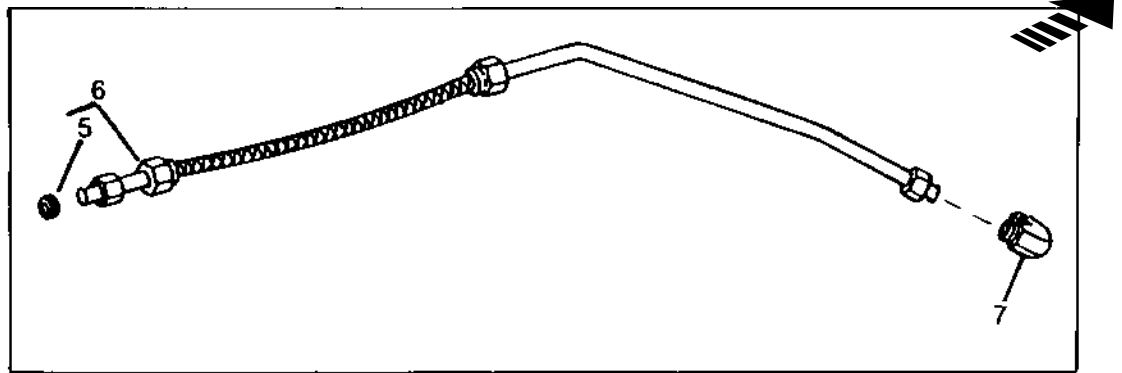
FUEL AND AIR

KEY	PART NO.	PART NAME	QTY	ENGINE SERIAL NO.	REMARKS
				8 8 8	
				1 2 3	
				0 0 0	
				0 0 0	
1	RE50467	HAND PRIMER	1	X X X	
2	RE50752	SEAL KIT	1	X X X	(FUEL FILTER PACKINGS)
3	RE63182	BASE	1	X X X	(HEADER) (USE WITH RE58376) (SUB RE63183, RE65431, (4) R26286, (2) R82719 AND (2) R134957, APPL) (USE WITH RE54077 OR RE63182)
4	AR101212	ELBOW FITTING	2	X X X	(USE WITH RE63182 OR RE63183)
	R26286	O-RING	2	X X X	(USE WITH RE63182 OR RE63183)
5	R67092	SEAL	4	X X X	
6	RE63313	FUEL LINE	1	X X X	OUTLET
7	19H1731	CAP SCREW	2	X X X	3/8" X 1"
8	24M7040	WASHER	2	X X X	11 X 20 X 2 MM
9	RE51649	KIT	1	X X X	(MECHANICAL COMPONENTS)
10	RE51650	SEDIMENT BOWL	1	X X X	
11	RE65431	FILTER ELEMENT	1	X X X	(USE WITH RE54077) (SUB RE65431)
12	R82719	FITTING PLUG	2	X X X	
	R26286	O-RING	2	X X X	
13	RE63312	LINE	1	X X X	INLET
14	RE65432	FUEL FILTER	1	X X X	
..	RE50752	SEAL KIT	1	X X X	
..	AR116902	SEPARATOR	1	X X X	

2E18

FUEL AND AIR

FUEL FILTER AND LINES (6076) (8100,8200,8300 TSN -009999)(ESN -564508)
FILTRE A COMBUSTIBLE (6076)(8100,8200,8300 TSN -009999) (ESN -564508)
KRAFTSTOFF-FILTER (6076) (8100,8200,8300 TSN -009999) (ESN -564508)
FILTRO COMBUSTIBLE (6076) (8100,8200,8300 TSN -009999) (ESN -564508)
FILTRO DE COMBUSTIBLE (6076) (8100,8200,8300 TSN -009999) (ESN -564508)
BRANSLEFFILTER (6076) (8100,8200,8300 TSN -009999) (ESN -564508)
RGP4451 -UN-28FEB95



RGP4451

2E19

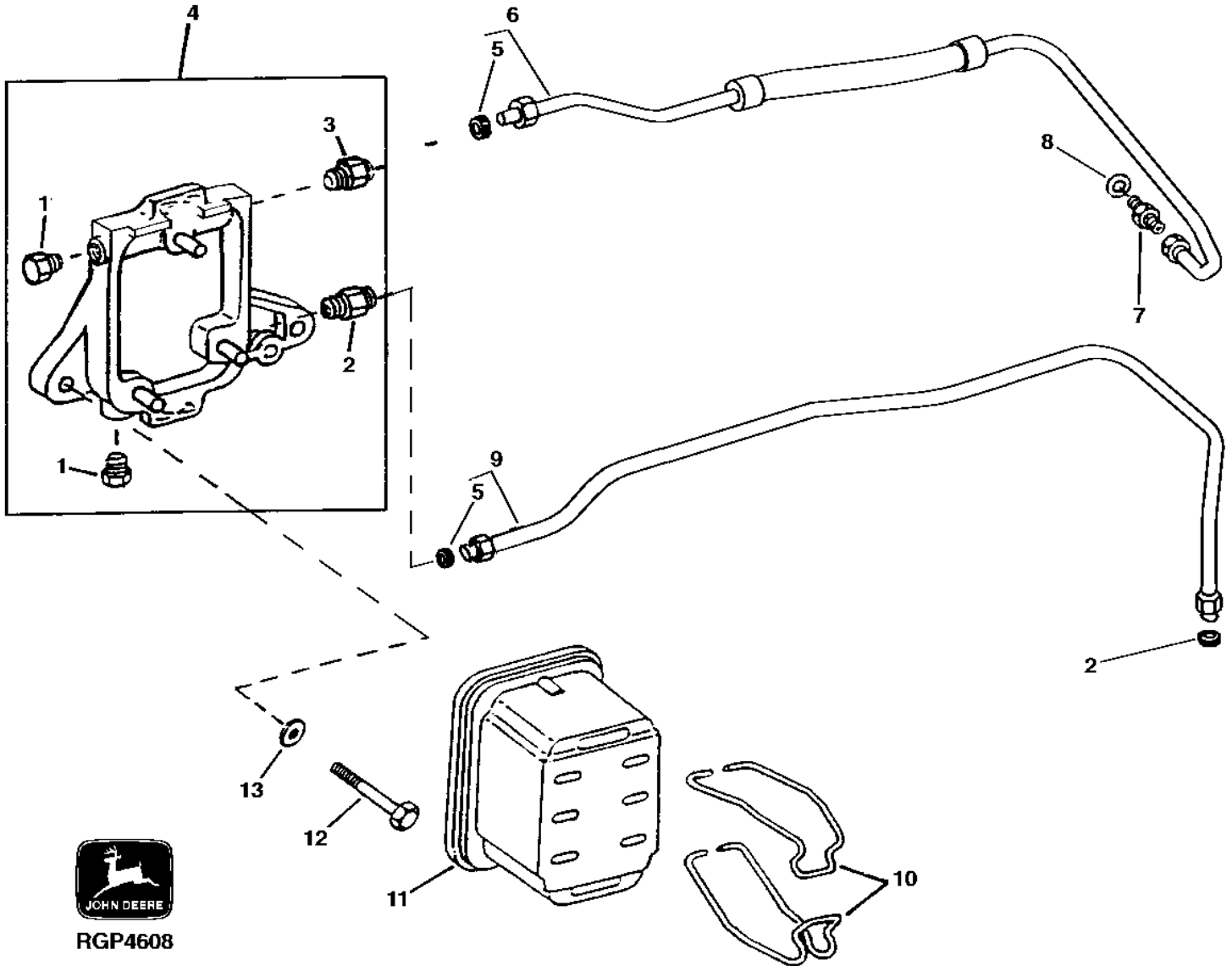
FUEL AND AIR

KEY	PART NO.	PART NAME	QTY	ENGINE SERIAL NO.	8	8	8	REMARKS
					1	2	3	
					0	0	0	
					0	0	0	
1	R119223	PLUG	2		X	X	X	
2	RE54244	CHECK VALVE	1		X	X	X	
3	RE54245	FITTING	1		X	X	X	
4	RE47501	BASE	1		X	X	X	(NOT AS SHOWN)
5	R67092	SEAL	3		X	X	X	
6	RE49445	FUEL LINE	1	-537402	X	X	X	(SUB RE65787, RE500280, R127595, R83489 AND R93008, APPL)
7	RE62345	ELBOW FITTING	1	-537402	X	X	X	(SUB FOR RE49446)
8	R83489	FITTING	1		X	X	X	
9	R93008	WASHER	1		X	X	X	
10	RE63090	FUEL LINE	1	537403-	X	X	X	(SUB RE65787, RE500280 AND R127595, APPL)
11	RE49444	FUEL LINE	1		X	X	X	(SUB RE65787, RE500280 AND R127595, APPL)
12	R89927	CLAMP	2		X	X	X	
13	RE27091	FUEL FILTER	1		X	X	X	
14	19H3205	CAP SCREW	2		X	X	X	7/16" X 1-1/2"
15	24H1325	WASHER	2		X	X	X	15/32" X 59/64" X 0.065"

2E20

FUEL AND AIR

FUEL FILTER AND LINES (6076) (8100,8200,8300 TSN -009999)(ESN 564509-)
FILTRE A COMBUSTIBLE (6076) (8100,8200,8300 TSN -009999) (ESN 564509-)
KRAFTSTOFF-FILTER (6076) (8100,8200,8300 TSN -009999) (ESN 564509-)
FILTRO COMBUSTIBLE (6076) (8100,8200,8300 TSN -009999) (ESN 564509-)
FILTRO DE COMBUSTIBLE (6076) (8100,8200,8300 TSN -009999) (ESN 564509-)
BRANSLEFFILTER (6076) (8100,8200,8300 TSN -009999) (ESN 564509-)
RGP4608 -UN-17NOV95



RGP4608

2E21

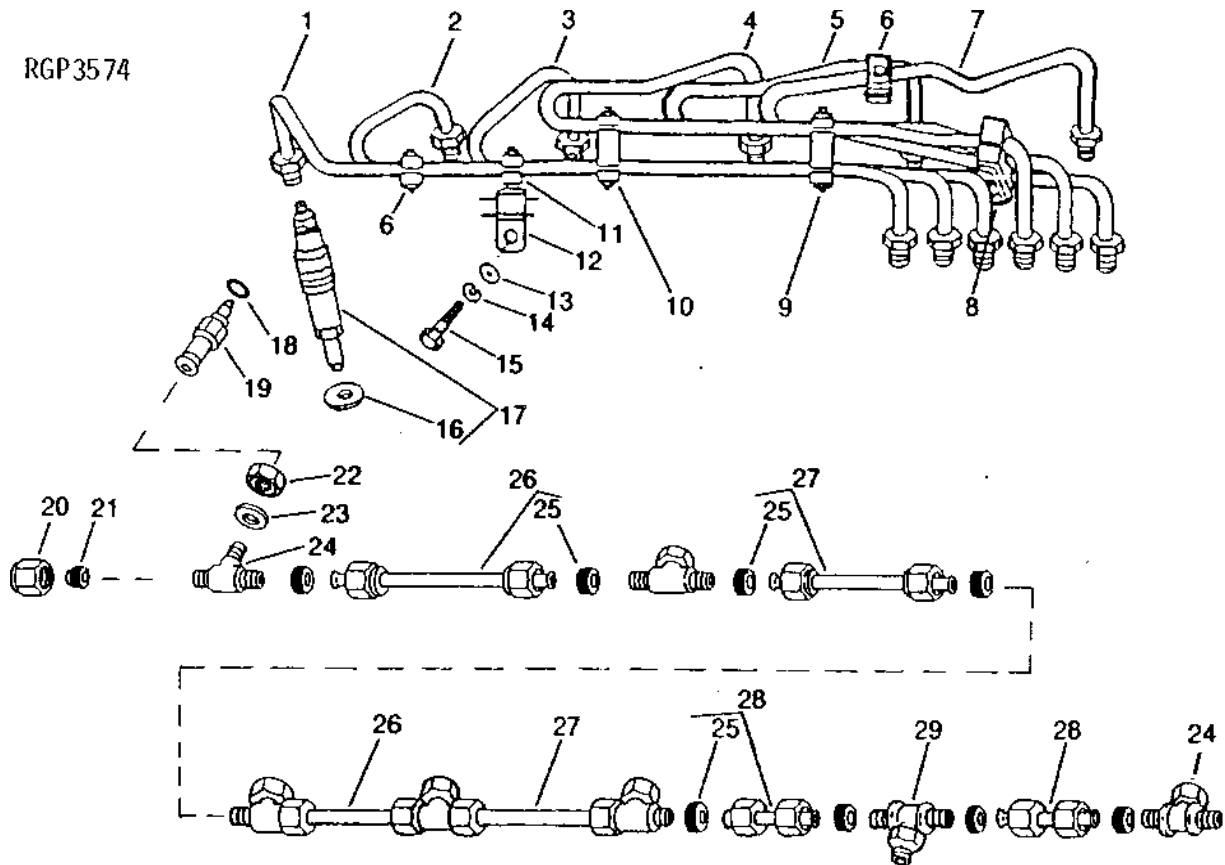
FUEL AND AIR

KEY	PART NO.	PART NAME	QTY	ENGINE			REMARKS
				SERIAL NO.	8 8 8	1 2 3	
1	R119223	PLUG	2		X X X		
2	RE54244	CHECK VALVE	1		X X X		
3	RE54245	FITTING	1		X X X		
4	RE47501	BASE	1		X X X	(NOT AS SHOWN)	
5	R67092	SEAL	3		X X X		
6	RE500280	FUEL LINE	1		X X X	(SUB FOR RE63414)	
7	R83489	FITTING	1		X X X		
8	R93008	WASHER	1		X X X		
9	RE65787	FUEL LINE	1		X X X	(SUB FOR RE63413)	
10	R89927	CLAMP	2		X X X		
11	AR86745	FILTER ELEMENT	1		X X X	(SUB FOR RE27091)	
12	19H3205	CAP SCREW	2		X X X	7/16" X 1-1/2"	
13	24H1325	WASHER	2		X X X	15/32" X 59/64" X 0.065"	

FUEL INJECTION NOZZLES AND LINES (6076) (8100,8200,8300 TSN -009999)
 TUYAUX D'INJECTION (6076) (8100,8200,8300 TSN -009999)
 FRAKTSTOFFLEITUNGEN (6076) (8100,8200,8300 TSN -009999)
 TABAZIONI COMBUSTIBILE (6076) (8100,8200,8300 TSN -009999)
 TUBERIAS DE COMBUSTIBLE (6076) (8100,8200,8300 TSN -009999)
 BRANSELEDNINGAR (6076) (8100,8200,8300 TSN -009999)
 RGP3574 -UN-01JAN94



RGP3574



2E23

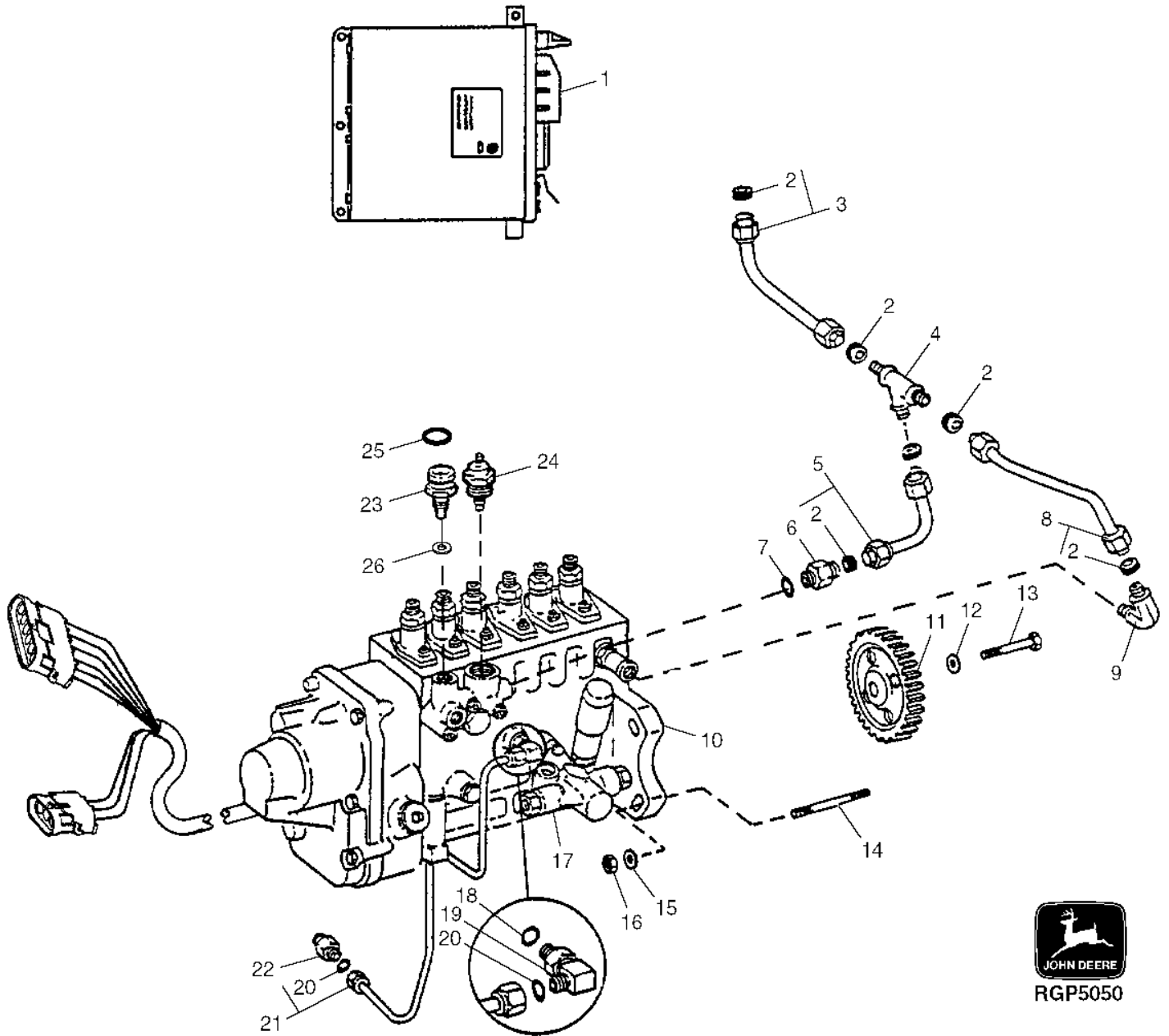
FUEL AND AIR

KEY	PART NO.	PART NAME	QTY	ENGINE			REMARKS
				SERIAL NO.	8	8	
					8	8	
					1	2	
					0	0	
					0	0	
1	RE47431	FUEL LINE	1	X	X	X	NO. 6
2	RE47430	FUEL LINE	1	X	X	X	NO. 5
3	RE47429	FUEL LINE	1	X	X	X	NO. 4
4	RE47428	FUEL LINE	1	X	X	X	NO. 3
5	RE47427	FUEL LINE	1	X	X	X	NO. 2
6	R59305	STRAP	1	X	X	X	
	R58186	CLAMP	2	X	X	X	
	R61144	STRAP	1	X	X	X	
	21H1463	CAP SCREW	2	X	X	X	0.190" X 7/8"
7	RE47426	FUEL LINE	1	X	X	X	NO. 1
8	R59298	STRAP	1	X	X	X	
	R59297	HALF CLAMP	2	X	X	X	
	21H1463	CAP SCREW	2	X	X	X	0.190" X 7/8"
9	R59298	STRAP	2	X	X	X	
	R71212	CLAMP	1	X	X	X	
	R61145	STRAP	1	X	X	X	
	R71398	SCREW	2	X	X	X	0.190" X 1-1/2"
10	R59305	STRAP	1	X	X	X	
	R58186	CLAMP	1	X	X	X	
	R74030	CLAMP	1	X	X	X	
	R74804	CLAMP	1	X	X	X	
	R61144	STRAP	1	X	X	X	
	R71398	SCREW	1	X	X	X	0.190" X 1-1/2"
11	R59298	STRAP	1	X	X	X	
	R59297	HALF CLAMP	2	X	X	X	
	21H1463	CAP SCREW	2	X	X	X	0.190" X 7/8"
12	RE47120	ABSORBER	1	X	X	X	
13	24H1884	WASHER	1	X	X	X	13/32" X 13/16" X 0.120"
14	12M7066	LOCK WASHER	NA	X	X	X	10.200 MM
15	19M7166	CAP SCREW	1	X	X	X	M10 X 20
16	R84472	WASHER	6	X	X	X	7.360 X 18.160 X 2 MM (0.290" X 0.715" X 0.079")
17	RE30159	INJECTION NOZZLE	6	X	X	X	(DENSO) (6076HRW33, HRW34) (SUB RE52109 AND R84472)
	RE25253	INJECTION NOZZLE	6	X	X	X	(DENSO) (6076HRW35) (SUB RE52113 AND R84472)
	RE52109	INJECTION NOZZLE	6	X	X	X	(DENSO) (6076HRW33, HRW34)
	RE52113	INJECTION NOZZLE	6	X	X	X	(DENSO) (6076HRW35)
18	R77551	O-RING	6	X	X	X	
19	R87082	FITTING	6	X	X	X	(ALSO ORDER R77551)
20	R51937	TUBE NUT	1	X	X	X	
21	AR85519	PLUG	1	X	X	X	
22	R79604	TUBE NUT	6	X	X	X	
23	R79605	WASHER	6	X	X	X	
24	R79606	TEE FITTING	6	X	X	X	
25	R51936	PACKING	11	X	X	X	
26	RE15807	FUEL LINE	2	X	X	X	
27	RE15808	FUEL LINE	2	X	X	X	
28	RE36421	FUEL LINE	2	X	X	X	
29	R97061	TEE FITTING	1	X	X	X	

2E24

FUEL AND AIR

FUEL INJECTION PUMP (6076) (8100,8200,8300 TSN -009999)
POMPE D'INJECTION/TUYAUX D'INJECTION/CONTROLEUR DE MOTEUR(6076) (8100,8200,8300 TSN -009999)
KRAFTSTOFF-EINSPRITZPUMPE/KRAFTSTOFFLEITUNGEN/MOTOR-STEuerung(6076) (81,82,83 TSN -009999)
POMPA DI INIEZIONI/TUBAZIONI COMBUSTIBILE/UNITA DI CONTROLLO DEL MOTORE 6076-8100,8200,8300
BOMBA DE INYEXXION DE COMBUSTBLE/TUBERIAS DE COMBUSTBLE/CONROLA DOR DEL MOTOR 6076-8100
INSPRUTNINGSPUMP/BRANSLEEDNINGAR/MOTORSTYRENHET (6076) (8100,8200,8300 TSN -009999)
RGP5050 -UN-27JUL98

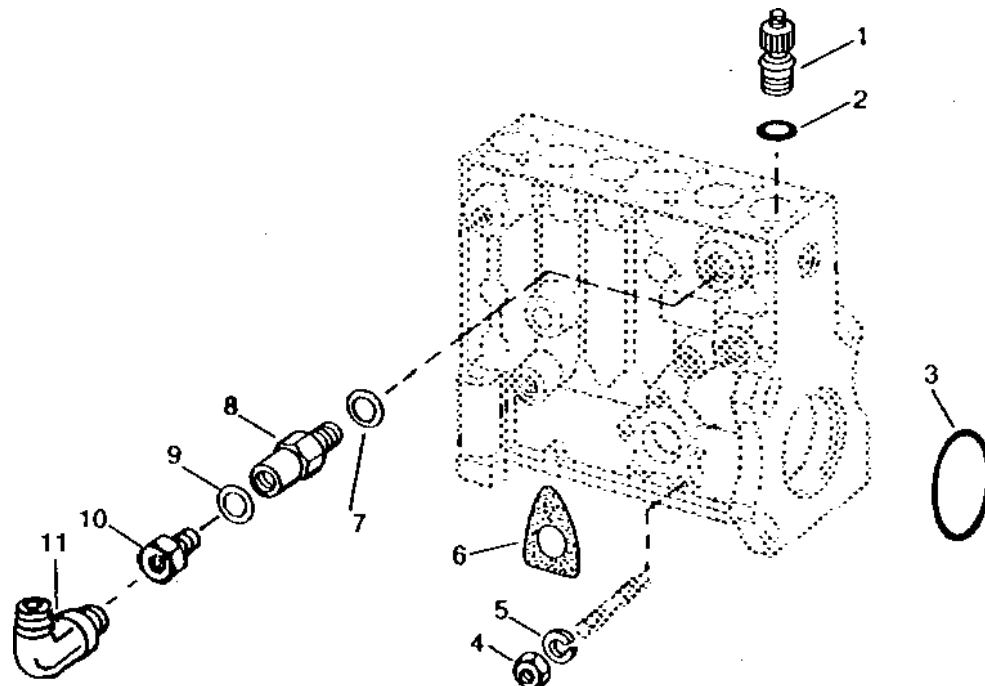


KEY	PART NO.	PART NAME	QTY	ENGINE			REMARKS
				SERIAL NO.	8	8	
					8	8	
					1	2	
					0	0	
					0	0	
1	RE57525	ENGINE CONTROLLER	1		X		(MARKED RE28320) (SUB RE501825, RE502110 OR RE503177 AND RE502125) (6076HRW33); (ROBERT BOSCH)
	RE501825	ENGINE CONTROLLER	1		X		(REMANUFACTURED) (6076HRW33) (MARKED RE501731) (SUB RE503177 OR RE502110 AND RE502125)
	RE503177	ENGINE CONTROLLER	1		X		(6076HRW33) (MARKED RE66614) (SUB FOR RE57525, RE501825 OR RE502110)
	RE57526	ENGINE CONTROLLER	1		X		(MARKED RE28320) (SUB RE501826, RE502111 OR RE503178 AND RE502125)
	RE501826	ENGINE CONTROLLER	1		X		(MARKED RE501731) (SUB RE503178 AND RE502125) (6076HRW34)
	RE503178	ENGINE CONTROLLER	1		X		(REMANUFACTURED) (6076HRW34) (MARKED RE66614) (SUB FOR RE57526, RE501826 OR RE502111)
	RE57524	ENGINE CONTROLLER	1		X		(ROBERT BOSCH) (HRW35) (MARKED RE28320) (SUB RE503179 AND RE502125)
	RE501824	ENGINE CONTROLLER	1		X		(HRW35) (MARKED RE501731) (SUB RE503179 AND RE502125)
	RE503179	ENGINE CONTROLLER	1		X		(HRW35) (MARKED RE66614) (SUB FOR RE57524, RE501824 OR RE502112)
	RE502125	KIT	1		X		(MOUNTING KIT) (USE WITH RE66614)
	RE502135	KIT	1		X	X	(BALER KIT)
2	R51936	PACKING	6		X	X	
3	RE30920	FUEL LINE	1		X	X	
4	R97061	TEE FITTING	1		X	X	
5	RE30833	FUEL LINE	1		X	X	
6	R91824	FITTING	1		X	X	
7	R48693	WASHER	1		X	X	
8	RE35684	FUEL LINE	1		X	X	
9	R67364	ELBOW FITTING	1		X	X	
10	RE57372	FUEL INJECTION PUMP	1	-XXXXXX	X	X	(A) (ROBERT BOSCH) (PES6P120A720RS3184) (SUB RE63514, R121164 AND (4) R121195)
	RE63514	FUEL INJECTION PUMP	1	XXXXXX-XXXXXX	X	X	(A) (ROBERT BOSCH) (PES6P120A720RS3347) (SUB RE502259, R121164 AND (4) R121195)
	RE502259	FUEL INJECTION PUMP	1	XXXXXX-	X	X	
11	R104590	GEAR	1	-XXXXXX	X	X	(USE WITH RE57372 OR RE63514)
	R121164	GEAR	1	XXXXXX-	X	X	(USE WITH RE502259)
12	R63845	WASHER	4	-XXXXXX	X	X	(USE WITH RE57372 OR RE63514)
13	19H3690	CAP SCREW	4	-XXXXXX	X	X	3/8" X 3/4", (USE WITH RE57372 OR RE63514)
	R121195	CAP SCREW	4	XXXXXX-	X	X	(USE WITH RE502259)
14	R114130	STUD	4		X	X	(SUB FOR R55396, APPL)
15	M72490	WASHER	4		X	X	
16	14H1090	NUT	4		X	X	3/8", (SUB FOR E55662, APPL)
17	RE46252	FUEL PUMP	1		X	X	
18	R79060	O-RING	1		X	X	(SUB FOR R73858)
19	AR88903	ELBOW FITTING	1		X	X	
20	R67264	PACKING	2		X	X	
21	RE43369	OIL LINE	1		X	X	
22	R76822	FITTING	1		X	X	
23	RE28217	FUEL TEMPERATURE SENSOR	1		X	X	(TEMPERATURE)
24	R89014	SOLENOID	1		X	X	(SHUT-OFF HOUSING)
	R99047	O-RING	1		X	X	(TO SOLENOID AND PUMP)
	12H296	WASHER	1		X	X	(TO SOLENOID)
	14M7297	NUT	1		X	X	(TO SOLENOID)
25	R98500	O-RING	1		X	X	
26	R53899	WASHER	1		X	X	
..	R105388	TIE BAND	2		X	X	

(A) "SEE YOUR AUTHORIZED PUMP REPAIR STATION FOR PARTS NOT LISTED"

2F1

FUEL INJECTION PUMP HOUSING CONNECTORS (6076) (8100,8200,8300 TSN -009999)
 CONNECTEURS DE CARTER DE POMPE D'INJECTION (6076) (8100,8200,8300 TSN -009999)
 EINSPRITZPUMPENGEHAEUSE ANSCHLUESSE (6076) (8100,8200,8300 TSN -009999)
 CONNETTORI PER CARCASSA POMPA DE INIEZIONE (6076) (8100,8200,8300 TSN -009999)
 CONECTORES DE CARCASA DE LA BOMBA DE INYECCION DE GASOLINA (6076) (8100,8200,8300 TSN -009999)
 BRAENSLEINSPRUTNINGSPUMPHUSETS ANSLUTNINGAR (6076) (8100,8200,8300 TSN -009999)
 RGP3634 -UN-01JAN94

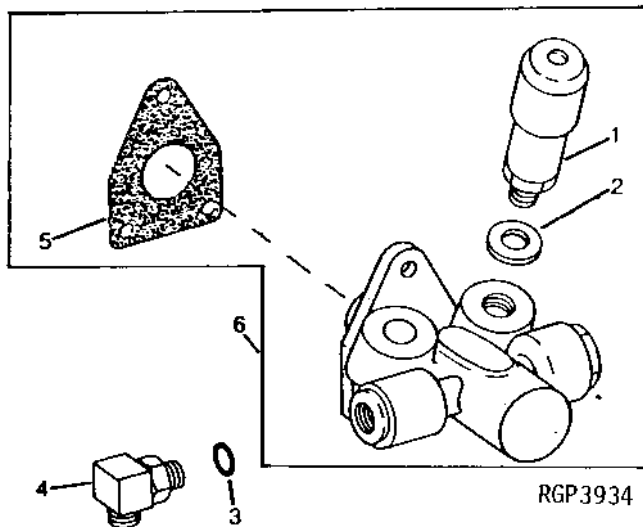


RGP3634

KEY	PART NO.	PART NAME	QTY	ENGINE SERIAL NO.	8	8	8	REMARKS
					0	0	0	
1	HOLDER	6		X	X	X	
2	T24210	O-RING	6		X	X	X	
3	R53884	O-RING	1		X	X	X	
4	14M7297	NUT	3		X	X	X	M5
5	12H296	WASHER	3		X	X	X	0.216"
6	R67879	GASKET	1		X	X	X	
7	R53899	WASHER	1		X	X	X	
8	RE36151	CONTROL VALVE	1		X	X	X	
9	R53901	WASHER	1		X	X	X	
10	R63016	ADAPTER	1		X	X	X	
11	R67364	ELBOW FITTING	1		X	X	X	
..	R93008	WASHER	1		X	X	X	
..	R83489	FITTING	1		X	X	X	(SUB FOR RE49446 OR RE62345)

2F2

FUEL TRANSFER PUMP (6076) (8100,8200,8300 TSN -009999) (ROBERT BOSCH)
 POMPE D'ALIMENTATION (6076) (8100,8200,8300 TSN -009999) (ROBERT BOSCH)
 KRAFTSTOFFOERDERPUMPE (6076) (8100,8200,8300 TSN -009999)
 POMPA ALIMENTACION DE COMBUSTIBLE (6076) (8100,8200,8300 TSN -009999) (ROBERT BOSCH)
 BOMBA DE ALIMENTACION DE COMBUSTIBLE (6076) (8100,8200,8300 TSN -009999) (ROBERT BOSCH)
 MATAREPUMP (6076) (8100,8200,8300 TSN -009999) (ROBERT BOSCH)
 RGP3934 -UN-01JAN94

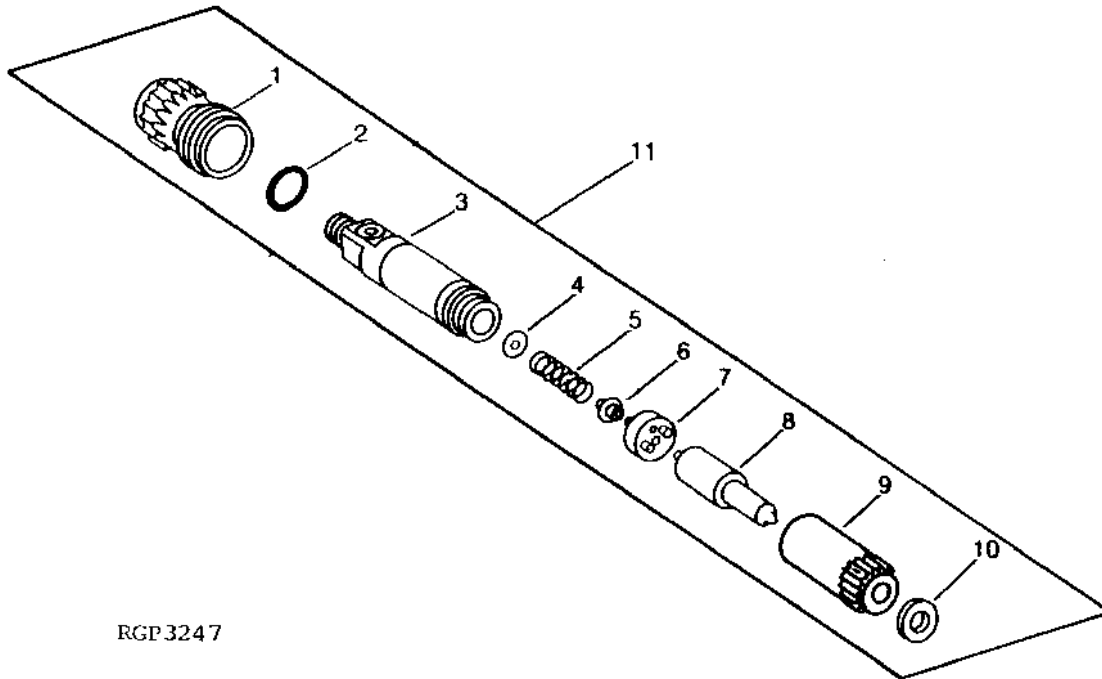


KEY	PART NO.	PART NAME	QTY	ENGINE SERIAL NO.	8 8 8 1 2 3 0 0 0 0 0 0	REMARKS
1	RE65265	HAND PRIMER	1		X X X	(SUB FOR RE48048)
2	R54025	WASHER	1		X X X	
3	R26448	O-RING	2		X X X	
4	RE10258	ELBOW FITTING	2		X X X	
5	R67879	GASKET	1		X X X	
6	RE46252	FUEL PUMP	1		X X X	

2F3

FUEL AND AIR

FUEL INJECTION NOZZLE (6076) (8100,8200,8300 TSN -009999)(NIPPONDENSO)
INJECTEUR (CONCEPTION RECENTE) (6076) (8100,8200,8300 TSN -009999) NIPPONDENSO
KRAFTSTOFF-EINSPRITZDUESE (NEURE BAUWEISE) (6076) (8100,8200,8300 TSN -009999)(NIPPONDENSO
INYEKTOR (DISENO RECIENTE) (6076) (8100,8200,8300 TSN-009999)(NIPPONDENSO
INYEKTOR (DISENO RECIENTE) (6076) (8100,8200,8300 TSN -009999) (NIPPONDENSO)
BRANSEINSPRUTARE SENARE UTFOERANDE) (6076) (8100,8200,8300 TSN -009999) NIPPONDENSO
RGP3247 -UN-01JAN94



RGP 3247

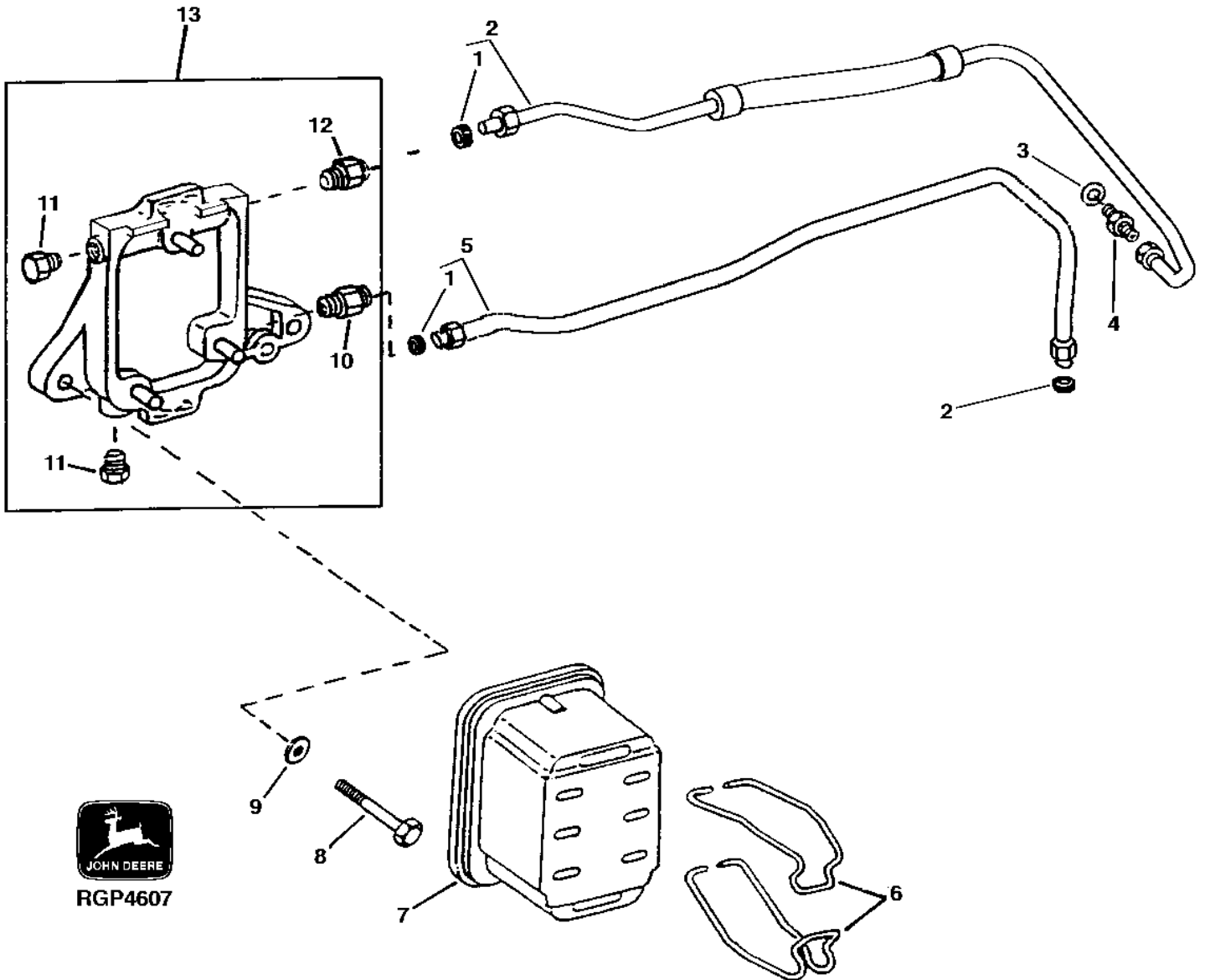
2F4

FUEL AND AIR

KEY	PART NO.	PART NAME	QTY	ENGINE SERIAL NO.	8 8 8			REMARKS
					1	2	3	
				0	0	0		
				0	0	0		
1	R68035	NUT	1		X	X	X	
2	R69089	O-RING	1		X	X	X	
3	R115369	NOZZLE HOLDER	1		X	X	X	
4	R68036	SHIM	AR		X	X	X	0.70MM (.028")
	R90544	SHIM	AR		X	X	X	0.725MM (.0285")
	R68037	SHIM	AR		X	X	X	0.75MM (.030")
	R90543	SHIM	AR		X	X	X	0.775MM (.0305")
	R68038	WASHER	AR		X	X	X	0.80MM (.032")
	R90542	WASHER	AR		X	X	X	0.825MM (.0324")
	R68039	WASHER	AR		X	X	X	0.85MM (.034")
	R90541	WASHER	AR		X	X	X	0.875MM (.0344")
	R68040	WASHER	AR		X	X	X	0.90MM (.035")
	R90540	WASHER	AR		X	X	X	0.925MM (.0364")
	R68041	WASHER	AR		X	X	X	0.95MM (.037")
	R90539	WASHER	AR		X	X	X	0.0975MM (.0383")
	R68042	WASHER	AR		X	X	X	1.00MM (.039")
	R90538	WASHER	AR		X	X	X	1.025MM (.0403")
	R68043	WASHER	AR		X	X	X	1.05MM (.041")
	R90537	WASHER	AR		X	X	X	1.075MM (.0423")
	R68044	WASHER	AR		X	X	X	1.10MM (.043")
	R90536	WASHER	AR		X	X	X	1.125MM (.0443")
	R68045	WASHER	AR		X	X	X	1.15MM (.045")
	R90535	WASHER	AR		X	X	X	1.175MM (.0462")
	R68046	WASHER	AR		X	X	X	1.20MM (.047")
	R90534	WASHER	AR		X	X	X	1.225MM (.0482")
	R68047	WASHER	AR		X	X	X	1.25MM (.049")
	R90533	WASHER	AR		X	X	X	1.275MM (.0502")
	R68048	WASHER	AR		X	X	X	1.30MM (.051")
	R90532	WASHER	AR		X	X	X	1.325MM (.0522")
	R68049	WASHER	AR		X	X	X	1.35MM (.053")
	R90531	WASHER	AR		X	X	X	1.375MM (.0541")
	R68050	WASHER	AR		X	X	X	1.40MM (.055")
	R90530	WASHER	AR		X	X	X	1.425MM (.0561")
	R68051	WASHER	AR		X	X	X	1.45MM (.057")
	R90529	WASHER	AR		X	X	X	1.475MM (.0580")
	R68052	WASHER	AR		X	X	X	1.50MM (.059")
5	R115368	SPRING	1		X	X	X	
6	R94410	SEAT	1		X	X	X	
7	R94412	PLATE	1		X	X	X	
8	RE52110	INJECTION NOZZLE	1		X	X		(7 X 0.23) (6076HRW33, 34)
	RE52114	INJECTION NOZZLE	1			X		(7 X 0.255) (6076HRW35)
9	R94414	NUT	1		X	X	X	
10	R84472	WASHER	1		X	X	X	
11	RE30159	INJECTION NOZZLE	6		X	X		(DENSO) (6076HRW33, 34) (SUB RE52109 AND R84472)
	RE25253	INJECTION NOZZLE	6			X		(DENSO) (6076HRW35) (SUB RE52113 AND R84472)
	RE52109	INJECTION NOZZLE	6		X	X		(DENSO) (6076HRW33, 34)
	RE52113	INJECTION NOZZLE	6			X		(DENSO) (6076HRW35)

2F5

FUEL FILTER AND LINES (6081) (8100,8200,8300 TSN 010000-))
FILTRE A COMBUSTIBLE (6081) (8100,8200,8300 TSN 010000-))
KRAFTSTOFF-FILTER (6081) (8100,8200,8300 TSN 010000-))
FILTRO COMBUSTIBLE (6081) (8100,8200,8300 TSN 010000-))
FILTRO DE COMBUSTIBLE (6081) (8100,8200,8300 TSN 010000-))
BRANSLEFFILTER (6081) (8100,8200,8300 TSN 010000-))
RGP4607 -UN-20NOV95



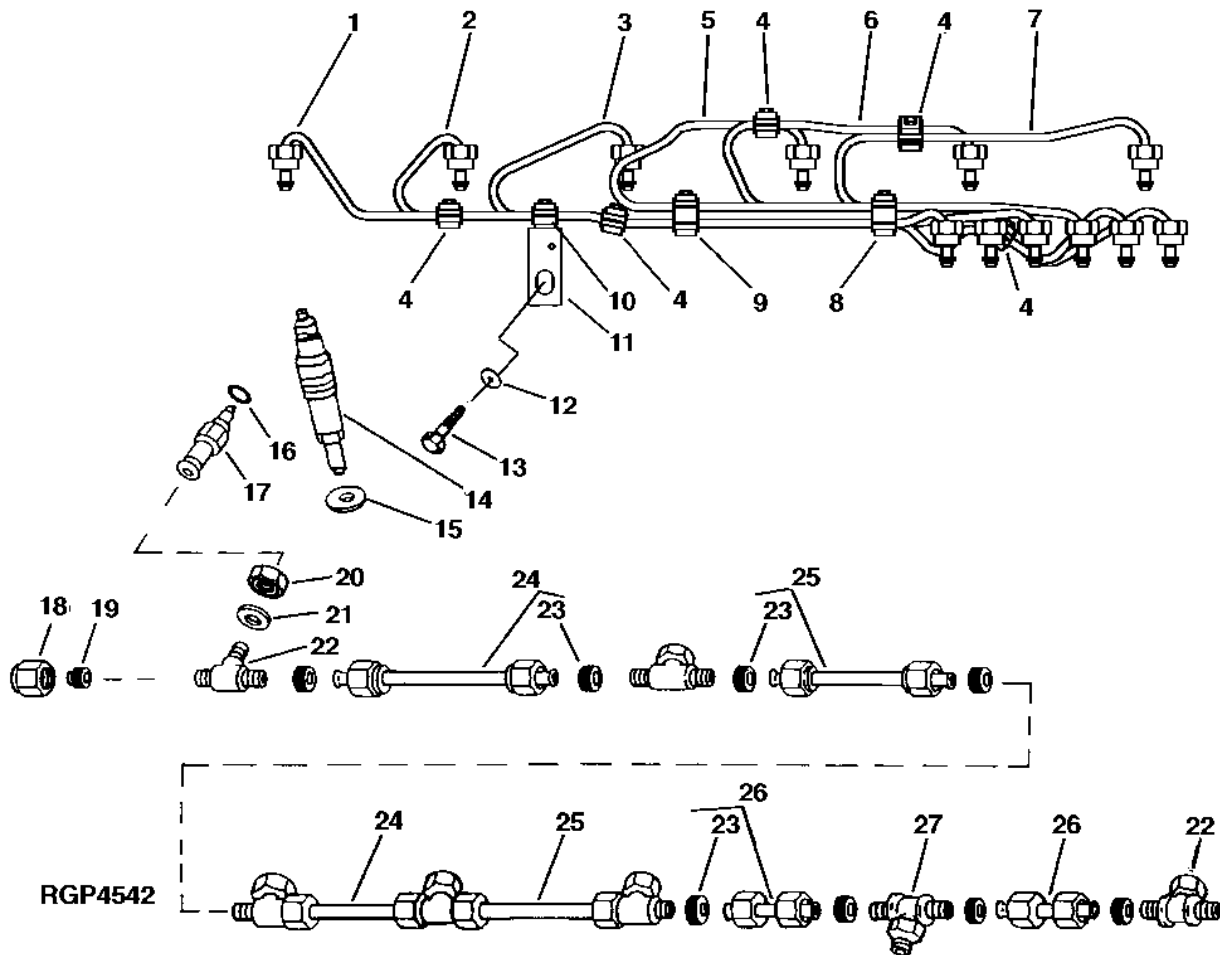
2F6

FUEL AND AIR

KEY	PART NO.	PART NAME	QTY	ENGINE			REMARKS
				SERIAL NO.	8 8 8	1 2 3	
1	R67092	SEAL	3		X X X		
2	RE500280	FUEL LINE	1		X X X	(SUB FOR RE63414)	
3	R93008	WASHER	1		X X X		
4	R83489	FITTING	1		X X X		
5	RE65787	FUEL LINE	1		X X X		
6	R89927	CLAMP	2		X X X		
7	AR86745	FILTER ELEMENT	1		X X X		
8	19H2964	CAP SCREW	2		X X X	7/16" X 1-1/8"	
9	24H1325	WASHER	2		X X X	15/32" X 59/64" X 0.065"	
10	RE54244	CHECK VALVE	1		X X X		
11	R119223	PLUG	2		X X X		
12	RE54245	FITTING	1		X X X		
13	RE61693	BASE	1		X X X		

2F7

FUEL INJECTION NOZZLES AND LINES (6081) (8100,8200,8300 TSN 010000-)
TUYAUX D'INJECTION (6081) (8100,8200,8300 TSN 010000-)
KRAFTSTOFFLEITUNGEN (6081) (8100,8200,8300 TSN 010000-)
TABAZIONI COMBUSTIBILE (6081) (8100,8200,8300 TSN 010000-)
TUBERIAS DE COMBUSTIBLE (6081) (8100,8200,8300 TSN 010000-)
BRANSELEDNINGAR (6081) (8100,8200,8300 TSN 010000-)
RGP4542 -UN-29AUG95



2F8

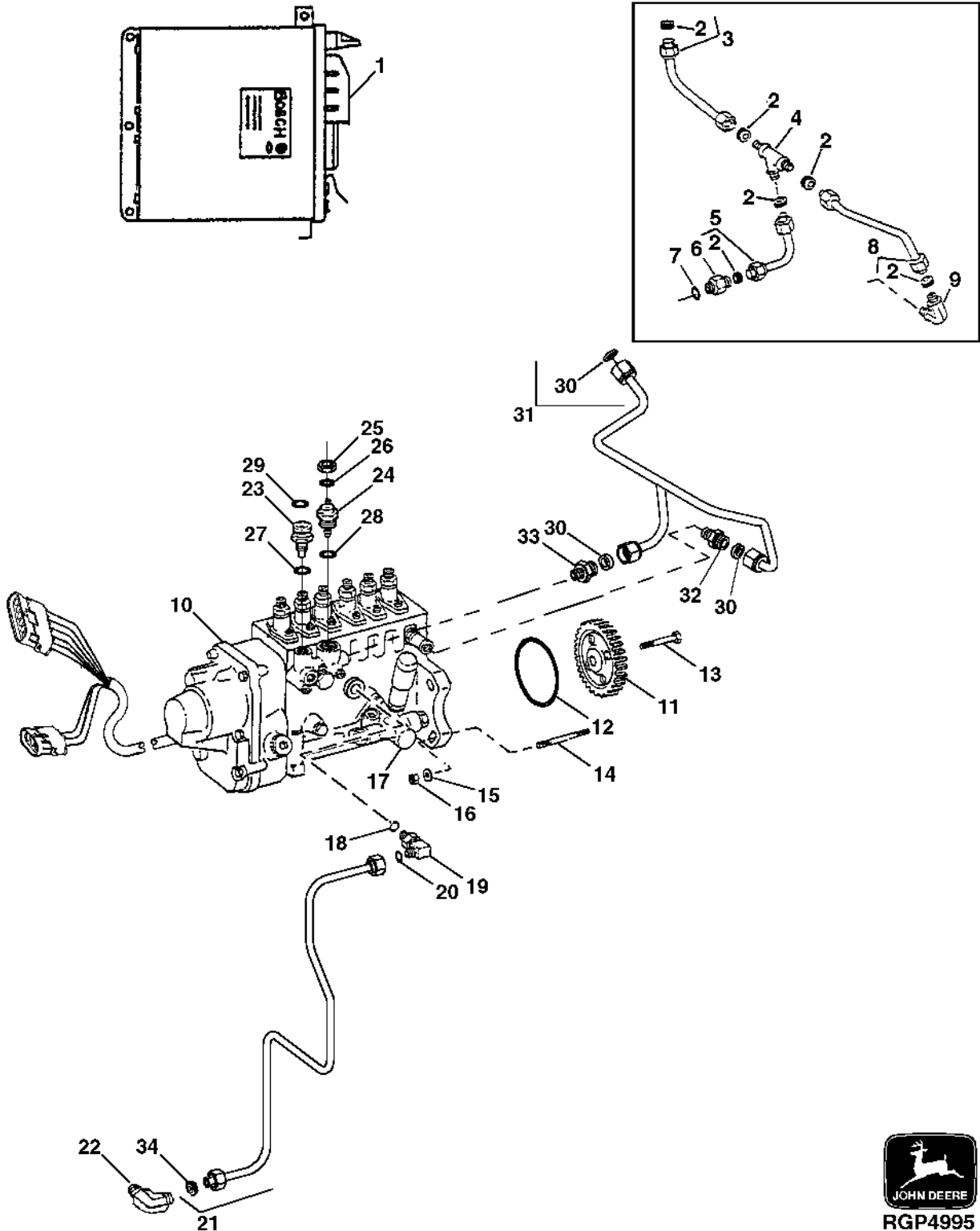
FUEL AND AIR

KEY	PART NO.	PART NAME	QTY	ENGINE			REMARKS
				SERIAL NO.	8	8	
					8	8	
					1	2	
					0	0	
					0	0	
1	RE47431	FUEL LINE	1	X	X	X	NO. 6
2	RE47430	FUEL LINE	1	X	X	X	NO. 5
3	RE47429	FUEL LINE	1	X	X	X	NO. 4
4	R120185	BOLT	5	X	X	X	
	R58186	CLAMP	10	X	X	X	
	R120181	STRAP	5	X	X	X	
	R120182	STRAP	5	X	X	X	
5	RE47428	FUEL LINE	1	X	X	X	NO. 3
6	RE47427	FUEL LINE	1	X	X	X	NO. 2
7	RE47426	FUEL LINE	1	X	X	X	NO. 1
8	R120186	BOLT	2	X	X	X	
	R71212	CLAMP	1	X	X	X	
	R120183	STRAP	1	X	X	X	
	R120184	STRAP	1	X	X	X	
	R59297	HALF CLAMP	2	X	X	X	
9	R71212	CLAMP	1	X	X	X	
	R59297	HALF CLAMP	2	X	X	X	
	R74030	CLAMP	1	X	X	X	
	R74804	CLAMP	1	X	X	X	
	R120186	BOLT	2	X	X	X	
	R120183	STRAP	1	X	X	X	
	R120184	STRAP	1	X	X	X	
10	R120185	BOLT	1	X	X	X	
	R59297	HALF CLAMP	2	X	X	X	
	R120183	STRAP	2	X	X	X	
11	RE55662	ABSORBER	1	X	X	X	
12	24H1884	WASHER	1	X	X	X	13/32" X 13/16" X 0.120"
13	19M7166	CAP SCREW	1	X	X	X	M10 X 20
14	RE64391	INJECTION NOZZLE	6	X			(ROBERT BOSCH) (6081HRW06) (2 DARK BLUE DOTS)
	RE61593	INJECTION NOZZLE	6	X			(ROBERT BOSCH) (6081HRW07) (1 ORANGE DOT)
	RE57152	INJECTION NOZZLE	6	X			(ROBERT BOSCH) (6081HRW08) (2 ORANGE DOTS)
15	R84472	WASHER	6	X	X	X	7.360 X 18.160 X 2 MM (0.290" X 0.715" X 0.079")
16	R77551	O-RING	6	X	X	X	
17	R87082	FITTING	6	X	X	X	(ALSO ORDER R77551)
18	R51937	TUBE NUT	1	X	X	X	
19	AR85519	PLUG	1	X	X	X	
20	R79604	TUBE NUT	6	X	X	X	
21	R79605	WASHER	6	X	X	X	
22	R79606	TEE FITTING	6	X	X	X	
23	R51936	PACKING	11	X	X	X	
24	RE15807	FUEL LINE	2	X	X	X	
25	RE15808	FUEL LINE	2	X	X	X	
26	RE36421	FUEL LINE	2	X	X	X	
27	R97061	TEE FITTING	1	X	X	X	

2F9

FUEL AND AIR

FUEL INJECTION PUMP, LUBE LINE AND ENGINE CONTROLLER (6081) (8100,8200,8300 TSN 010000-)
POMPE D'INJECTION/TUYAUX D'INJECTION/CONTROLEUR DE MOTEUR(6081) (8100,8200,8300 TSN 010000-)
KRAFTSTOFF-EINSPRITZPUMPE/KRAFTSTOFFLEITUNGEN/MOTOR-STEURUNG(6081) (8100, 8200,8300 TSN 010000-)
POMPA DI INIEZIONE/TUBAZIONI COMBUSTIBILE/UNITA DI CONTROLLO DEL MOTORE 6081-8100,8200,8300 010000-)
BOMBA DE INYEXXION DE COMBUSTIBLE/TUBERIAS DE COMBUSTIBLE/CONRO LADOR DEL MOTOR 6081-8100,8200,83)
INSPRUTNINGSPUMP/BRANSLELEDNINGAR/MOTORSTYRENHET (6081) (8100,8200,8300 TSN 010000-)
RGP4995 -UN-26MAR98



2F10

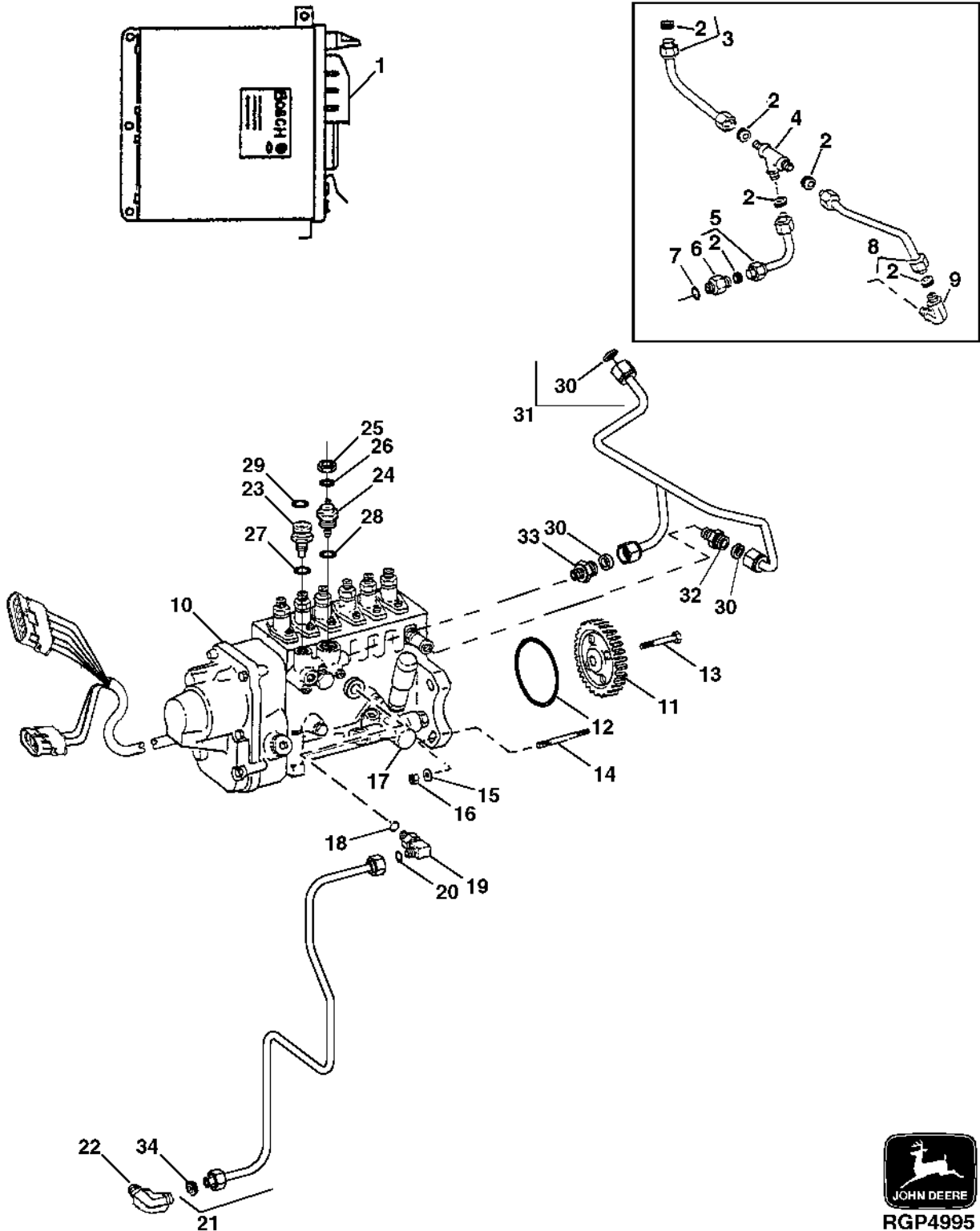
FUEL AND AIR

KEY	PART NO.	PART NAME	QTY	TRACTOR			REMARKS
				SERIAL NO.	8 8 8	1 2 3	
1	RE70026	ENGINE CONTROLLER	1	010000-010999	X		(MARKED RE28320) (SUB RE503182 AND RE502125) (ROBERT BOSCH)
	RE501847	ENGINE CONTROLLER	1	XXXXXX-	X		(REMANUFACTURED) (MARKED RE501731) (SUB RE503182 OR RE502121 AND RE502125)
	RE500772	ENGINE CONTROLLER	1	011000-	X		(MARKED RE66614) (SUB RE503182) (HRW06) (SUB FOR RE69551)
	RE502428	ENGINE CONTROLLER	1	XXXXXX-XXXXXX	X		(MARKED RE66614) (SUB RE503182)
	RE502121	ENGINE CONTROLLER	1	XXXXXX-	X		(MARKED RE66614) (SUB RE503182) (SUB FOR RE501834 OR RE501847)
	RE503182	ENGINE CONTROLLER	1	XXXXXX-	X		(MARKED RE66614 OR RE502404) (SUB FOR RE70026, RE501847, RE500772, RE502428 OR RE502121)
	RE70027	ENGINE CONTROLLER	1	010000-010999	X		(MARKED RE28320) (SUB RE503183 AND RE502125) (SUB FOR RE69552) (ROBERT BOSCH)
	RE501848	ENGINE CONTROLLER	1	XXXXXX-	X		(REMANUFACTURED) (MARKED RE501731) (SUB RE503183 OR RE502122 AND RE502125)
	RE500773	ENGINE CONTROLLER	1	011000-	X		(MARKED RE501731) (SUB RE503183)
	RE502427	ENGINE CONTROLLER	1	011000-	X		(MARKED RE66614) (SUB RE503183)
	RE502122	ENGINE CONTROLLER	1	011000-	X		(MARKED RE66614) (SUB RE503183) (SUB FOR RE501835)
	RE503183	ENGINE CONTROLLER	1	011000-	X		(MARKED RE66614 OR RE502404) (SUB FOR RE70072, RE501848, RE500773, RE502427 OR RE502122)
	RE70028	ENGINE CONTROLLER	1	010000-010999	X		(SUB RE504071 AND RE502125) (MARKED RE28320) (ROBERT BOSCH)
	RE501849	ENGINE CONTROLLER	1	XXXXXX-	X		(SUB RE504071 AND RE502125) (MARKED RE501723) (REMANUFACTURED)
	RE500774	ENGINE CONTROLLER	1	011000-	X		(MARKED RE66614) (SUB RE504071) (SUB FOR RE69553)
	RE502426	ENGINE CONTROLLER	1		X		(SUB RE504071) (MARKED RE66614)
	RE502123	ENGINE CONTROLLER	1	-079718	X		(MARKED RE66614) (SUB FOR RE70028, RE501849, RE500774, RE502426 OR RE501835) (SUB RE504071)
	RE504071	ENGINE CONTROLLER	1	079719-	X		(MARKED RE66614 OR RE502404)
	RE502125	KIT	1		X X X		(MOUNTING KIT)

2F11

FUEL AND AIR

FUEL INJECTION PUMP, LUBE LINE AND ENGINE CONTROLLER (6081) (8100,8200,8300 TSN 010000-)
POMPE D'INJECTION/TUYAUX D'INJECTION/CONTROLEUR DE MOTEUR(6081) (8100,8200,8300 TSN 010000-)
KRAFTSTOFF-EINSPRITZPUMPE/KRAFTSTOFFLEITUNGEN/MOTOR-STEURUNG (6081) (8100, 8200,8300 TSN 010000-)
POMPA DI INIEZIONE/TUBAZIONI COMBUSTIBILE/UNITA DI CONTROLLO DEL MOTORE 60818100,8200,8300 010000-)
BOMBA DE INYEXXION DE COMBUSTIBLE/TUBERIAS DE COMBUSTIBLE/CONRO LADOR DEL MOTOR 6081-8100,8200,83)
INSPRUTNINGSPUMP/BRANSLELEDNINGAR/MOTORSTYRENHET (6081) (8100,8300 TSN 010000-)
RGP4995 -UN-26MAR98



2F12

FUEL AND AIR

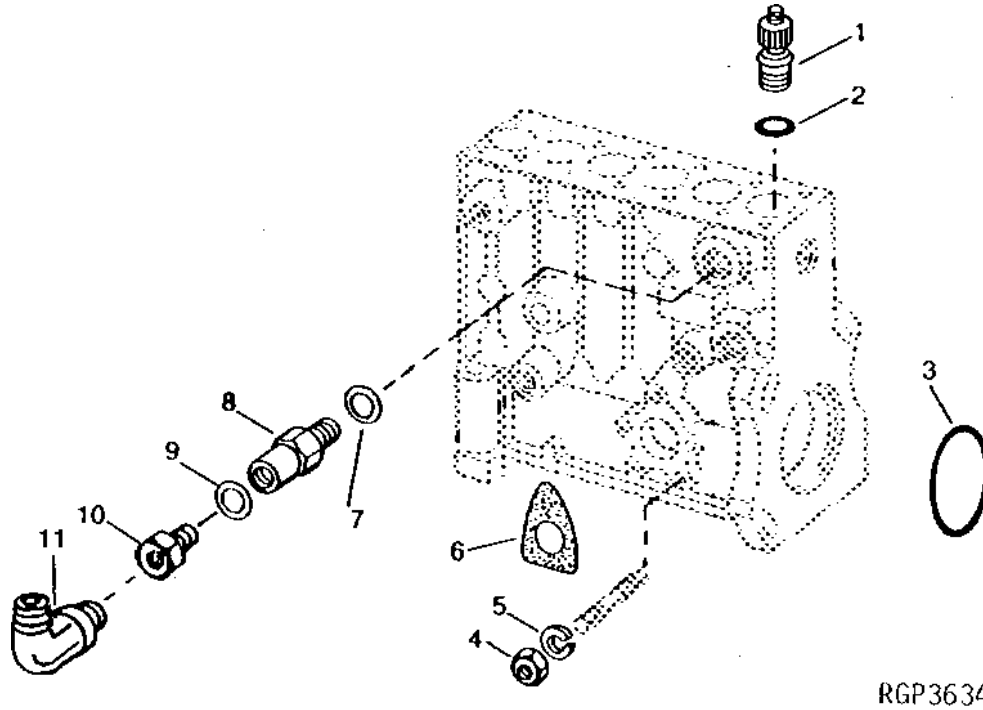
KEY	PART NO.	PART NAME	QTY	TRACTOR			REMARKS
				SERIAL NO.	8	8	
					8	8	
					1	2	
					0	0	
					0	0	
1	RE57525	ENGINE CONTROLLER	1		X		(MARKED RE28320) (SUB RE501825, RE502110 OR RE503177 AND RE502125) (6076HRW33); (ROBERT BOSCH)
	RE501825	ENGINE CONTROLLER	1		X		(REMANUFACTURED) (6076HRW33) (MARKED RE501731) (SUB RE503177 OR RE502110 AND RE502125)
	RE503177	ENGINE CONTROLLER	1		X		(6076HRW33) (MARKED RE66614) (SUB FOR RE57525, RE501825 OR RE502110)
	RE57526	ENGINE CONTROLLER	1		X		(6076HRW34) (MARKED RE28320) (SUB RE503178 AND RE502125)
	RE501826	ENGINE CONTROLLER	1		X		(MARKED RE501731) (SUB RE503178 AND RE502125) (6076HRW34)
	RE503178	ENGINE CONTROLLER	1		X		(REMANUFACTURED) (6076HRW34) (MARKED RE66614) (SUB FOR RE57526, RE501826 OR RE502111)
	RE57524	ENGINE CONTROLLER	1		X		(ROBERT BOSCH) (HRW35) (MARKED RE28320) (SUB RE503179 AND RE502125)
	RE501824	ENGINE CONTROLLER	1		X		(HRW35) (MARKED RE501731) (SUB RE503179 AND RE502125)
	RE503179	ENGINE CONTROLLER	1		X		(HRW35) (MARKED RE66614) (SUB RE57524, RE502824 OR RE502112)
	RE502125	KIT	1		X		(MOUNTING KIT) (USE WITH RE66614)
	RE502135	KIT	1		X	X	(BALER KIT)
2	R51936	PACKING	6	-035177	X	X	
3	RE30920	FUEL LINE	1	-035177	X	X	
4	R97061	TEE FITTING	1	-035177	X	X	
5	RE30833	FUEL LINE	1	-035177	X	X	
6	R91824	FITTING	1	-035177	X	X	
7	R48693	WASHER	1	-035177	X	X	
8	RE35684	FUEL LINE	1	-035177	X	X	
9	R67364	ELBOW FITTING	1	-035177	X	X	
10	RE67771	FUEL INJECTION PUMP	1		X		(A) (ROBERT BOSCH) (PES6P120A720RS3354) (6081HRW06) (SUB RE502697)
	RE62645	FUEL INJECTION PUMP	1		X	X	(A) (ROBERT BOSCH) (PES6P120A720RS3354) (6081HRW07, HRW08) (SUB RE502698)
	RE502698	FUEL INJECTION PUMP	1		X	X	
	RE502697	FUEL INJECTION PUMP	1		X		
11	R121164	GEAR	1		X	X	
12	R76358	O-RING	1		X	X	
13	R121195	CAP SCREW	4		X	X	(SUB FOR R112975) (T45)
14	R114130	STUD	4		X	X	
15	M72490	WASHER	4		X	X	
16	14H1090	NUT	4		X	X	3/8"
17	RE46252	FUEL PUMP	1		X	X	
18	R79060	O-RING	1		X	X	(SUB FOR R73858)
19	AR88903	ELBOW FITTING	1		X	X	
20	R67264	PACKING	2		X	X	
21	RE60577	OIL LINE	1		X	X	
22	T18012	ELBOW FITTING	1		X	X	(NOT AS SHOWN)
23	RE28217	FUEL TEMPERATURE SENSOR	1		X	X	(TEMPERATURE)
24	R89014	SOLENOID	1		X	X	(SHUT-OFF HOUSING)
25	14M7279	NUT	1		X	X	M30
26	12H296	WASHER	1		X	X	5.486 MM (0.216")
27	R53899	WASHER	1		X	X	(BOTTOM)
28	R99047	O-RING	1		X	X	
29	R98500	O-RING	1		X	X	(TOP)
30	R51936	PACKING	3	035178-	X	X	
31	RE66000	FUEL LINE	1	035178-	X	X	
32	R63604	FITTING	1	035178-	X	X	
33	RE67934	CONNECTOR	1	035178-	X	X	
34	R67264	PACKING	1		X	X	

(A) "SEE YOUR AUTHORIZED PUMP REPAIR STATION FOR PARTS NOT LISTED"

2F13

FUEL AND AIR

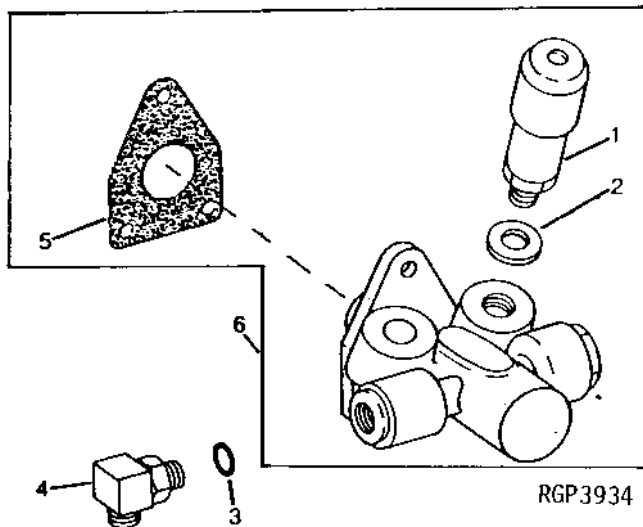
FUEL INJECTION PUMP HOUSING CONNECTORS (6081) (8100,8200,8300 TSN 010000-)
 COCNECTEURS DE CARTER DE POMPE D'INJECTION (6081) (8100,8200,83 00 TSN 010000-)
 EINSPPRITZPUMPENGEHAEUSE ANSCHLUESSE (6081) (8100,8200,8300 TSN 010000-)
 CONNETTORI PER CARCASSA POMPA DE INIEZIONE (6081) (8100,8200,83 00 TSN 010000-)
 CCNECTORES DE CARCASSA DE LA BOMBA DE INYECCION DE GASOLINA (60 81)(81002,8200,8300)
 BRAENSLEINSPRUTNINGSPUMPHUSETS ANSLUTNINGAR (6081) (8100,8200,8 300 TSN 010000-)
 RGP3634 -UN-01JAN94



KEY	PART NO.	PART NAME	QTY	ENGINE SERIAL NO.			REMARKS
				8	8	8	
1	R99531	HOLDER	6	X	X	X	(NLA)
2	T24210	O-RING	6	X	X	X	
3	R53884	O-RING	1	X	X	X	
4	14M7297	NUT	3	X	X	X	M5
5	12H296	WASHER	3	X	X	X	0.216"
6	R67879	GASKET	1	X	X	X	
7	R53899	WASHER	1	X	X	X	
8	RE36151	CONTROL VALVE	1	X	X	X	
9	R53901	WASHER	1	X	X	X	
10	R63016	ADAPTER	1	X	X	X	
11	R67364	ELBOW FITTING	1	X	X	X	
..	R93008	WASHER	1	X	X	X	(FUEL INLET)
..	RE49446	ELBOW FITTING	1	X	X	X	(FUEL INLET)

2F14

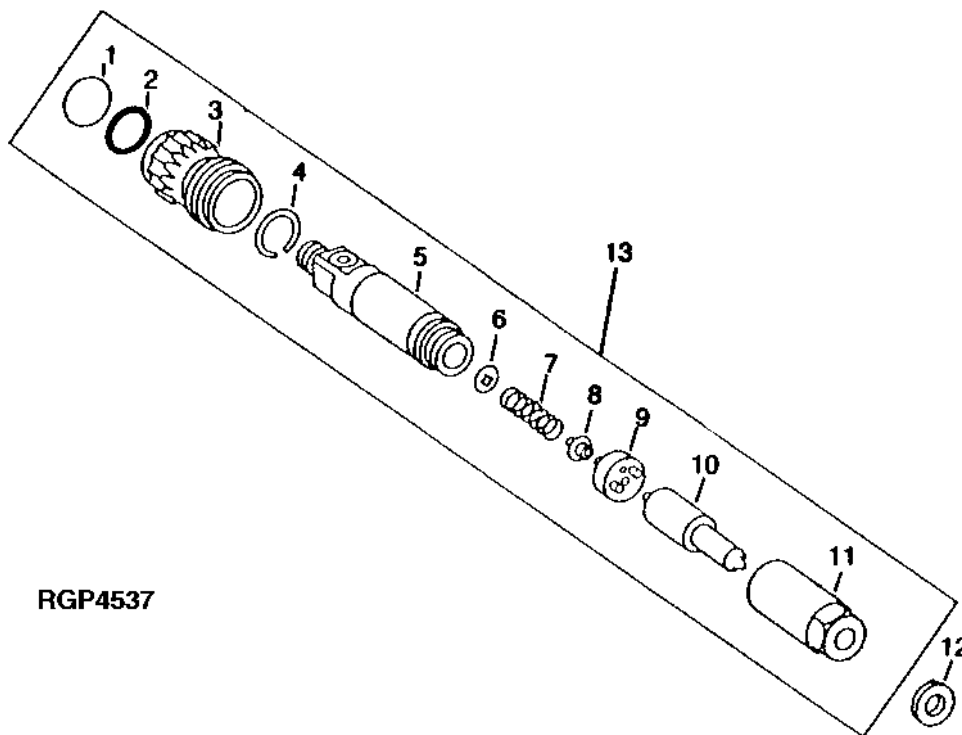
FUEL TRANSFER PUMP (6081) (8100,8200,8300 TSN 010000-) (ROBERT BOSCH)
 POMPE D'ALIMENTATION (ROBERT BOSCH) (6081) (8100,8200,8300 TSN TSN 010000-)
 KRAFTSTOFFOERDERPUMPE (ROBERT BOSCH) (6081) (8100,8200,8300 TSN 010000-)
 POMPA ALIMENTAZIONE (ROBERT BOSCH) (6081) (8100,8200,8300 TSN 010000-)
 BOMBA DE ALIMENTACION DE COMBUSTIBLE (ROBERT BOSCH) (6081) (8100,8200, 8300 TSN 01000-)
 MATARAEPUMP (ROBERT BOSCH) (6081) (8100,8200,8300 TSN 010000-)
 RGP3934 -UN-01JAN94



KEY	PART NO.	PART NAME	QTY	ENGINE SERIAL NO.	8	8	8	REMARKS
					1	2	3	
1	RE65265	HAND PRIMER	1		X	X	X	(SUB FOR RE48048)
2	R54025	WASHER	1		X	X	X	
3	R26448	O-RING	2		X	X	X	
4	RE10258	ELBOW FITTING	2		X	X	X	(TRANSFER PUMP TO RE65787)
	RE34128	ELBOW FITTING	1		X	X	X	(TRANSFER PUMP TO RE63313)
5	R67879	GASKET	1		X	X	X	
6	RE46252	FUEL PUMP	1		X	X	X	

2F15

FUEL INJECTION NOZZLE (ROBERT BOSCH) (6081) (8100,8200,8300 TSN 010000-)
INJECTEUR (ROBERT BOSCH) (6081) (8100,8200,8300 TSN 010000-)
KRAFTSTOFF-EINSPRITZDUESE (ROBERT BOSCH) (6081) (8100,8200,8300 TSN 010000-)
INIETTORE (ROBERT BOSCH) (6081) (8100,8200,8300 TSN 010000-)
INJECTOR (ROBERT BOSCH) (6081) (8100,8200,8300 TSN 010000-)
BRANSELEINSPRUTARE (ROBERT BOSCH) (8100,8200,8300 TSN 010000-)
RGP4537 -UN-30AUG95



RGP4537

2F16

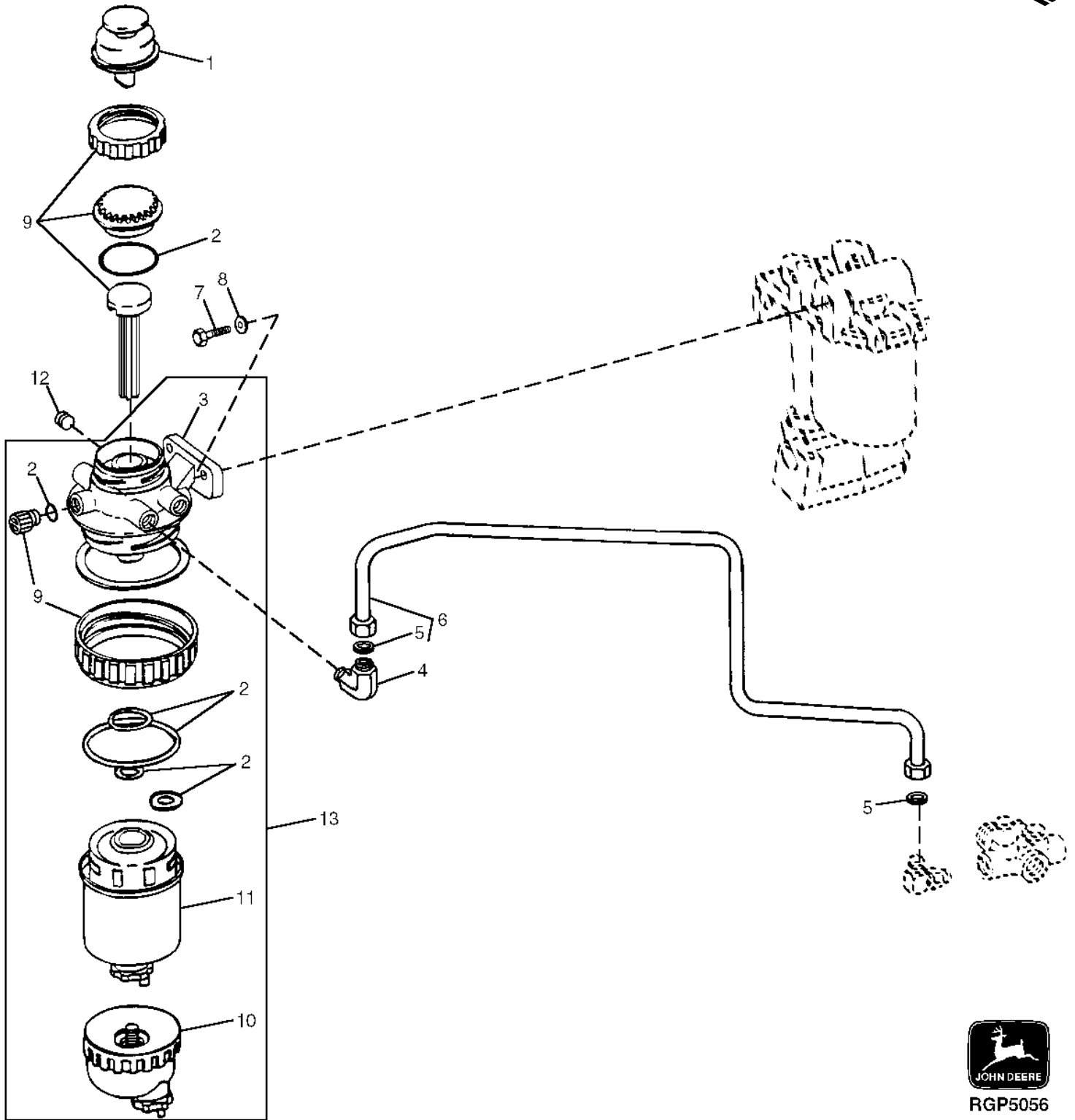
FUEL AND AIR

KEY	PART NO.	PART NAME	QTY	ENGINE			REMARKS
				SERIAL NO.	0 0 0	0 0 0	
					8 8 8		
					1 2 3		
					0 0 0		
					0 0 0		
1	R60277	SNAP RING	1		X X X		
2	R375R	O-RING	1		X X X		
3	R60279	NUT	1		X X X		
4	R60278	SNAP RING	1		X X X		
5	NOZZLE HOLDER	1		X X X	(SUB RE57152, RE61593 OR RE64391, APPL)	
6	R83720	WASHER	1		X X X	1.02 MM (.0402")	
	R83721	WASHER	1		X X X	1.08 MM (.0425")	
	R83722	WASHER	1		X X X	1.12 MM (.0441")	
	R83723	WASHER	1		X X X	1.18 MM (.0465")	
	R83724	WASHER	1		X X X	1.22 MM (.0480")	
	R83725	WASHER	1		X X X	1.28 MM (.0504")	
	R83726	WASHER	1		X X X	1.30 MM (.0512")	
	R83727	WASHER	1		X X X	1.38 MM (.0543")	
	R83728	WASHER	1		X X X	1.42 MM (.0559")	
	R83729	WASHER	1		X X X	1.48 MM (.0583")	
	R83730	WASHER	1		X X X	1.50 MM (.0591")	
	R83731	WASHER	1		X X X	1.58 MM (.0622")	
	R83732	WASHER	1		X X X	1.60 MM (.0630")	
	R83733	WASHER	1		X X X	1.68 MM (.0661")	
	R83734	WASHER	1		X X X	1.70 MM (.0669")	
	R83735	WASHER	1		X X X	1.78 MM (.0701")	
	R83736	WASHER	1		X X X	1.82 MM (.0717")	
	R83737	WASHER	1		X X X	1.88 MM (.0740")	
	R83738	WASHER	1		X X X	1.90 MM (.0748")	
	R83739	WASHER	1		X X X	1.98 MM (.0780")	
7	R108699	SPRING	1		X X	(6081HRW06, HRW07)	
	R60273	SPRING	1		X	(6081HRW08)	
8	R108700	SEAT	1		X X	(6081HRW06, HRW07)	
	R60274	SEAT	1		X	(6081HRW08)	
9	R108701	PLATE	1		X X	(6081HRW06, HRW07)	
	R60275	PLATE	1		X	(6081HRW08)	
10	RE64392	INJECTION NOZZLE	1		X	(7 X 0.22) (6081HRW06)	
	RE42306	INJECTION NOZZLE	1		X	(7 X 0.24) (6081HRW07)	
	RE57153	INJECTION NOZZLE	1		X	(7 X 0.236) (6081HRW08)	
11	R127176	NUT	1		X X X		
12	R84472	WASHER	1		X X X		
13	RE64391	INJECTION NOZZLE	6		X	(ROBERT BOSCH) (6081HRW06) (2 DARK BLUE DOTS)	
	RE61593	INJECTION NOZZLE	6		X	(ROBERT BOSCH) (6081HRW07) (1 ORANGE DOT)	
	RE57152	INJECTION NOZZLE	6		X	(ROBERT BOSCH) (6081HRW08) (2 ORANGE DOTS)	

2F17

FUEL AND AIR

PRE-FUEL FILTER AND LINE
PREFILTRE A CARBURANT ET CONDUITE
KRAFTSTOFF-VORFILTER UND LEITUNG
PREFILTRO E TUBO DI ALIMENTAZIONE
PREFILTRO DE COMBUSTIBLE Y LINEA
BRAENSLEFOERFILTER OCH LEDNING
RGP5056 -UN-03NOV98



2F18

FUEL AND AIR

KEY	PART NO.	PART NAME	QTY	ENGINE SERIAL NO.	REMARKS
					8
					4
					0
					0
1	RE50467	HAND PRIMER	1		X
2	RE50752	SEAL KIT	1		X (FUEL FILTER PACKINGS)
3	RE54077	BASE	1	-XXXXXX	X (HEADER) (USE WITH RE58376) (SUB RE63183, RE65431, (4) R26286, (2) R82719 AND (2) R134957, APPL)
	RE63182	BASE	1	XXXXXX-XXXXXX	X (HEADER) (SUB RE63183, RE65431, (4) R26286, (2) R82719 AND (2) R134957, APPL) (USE WITH RE65431 OR RE62423)
	RE63183	FILTER HEAD	1	XXXXXX-	X (HEADER) (USE WITH RE65431)
4	R125498	FITTING	2	-XXXXXX	X (USE WITH RE54077 OR RE63182)
	AR101212	ELBOW FITTING	2	-XXXXXX	X (USE WITH RE63182)
	R26286	O-RING	2	XXXXXX-	X (USE WITH RE63183)
	R134957	ELBOW FITTING	2	XXXXXX-	X (USE WITH RE63183)
5	R67092	SEAL	1		X
6	RE63313	FUEL LINE	1		X
7	19H1731	CAP SCREW	2		X 3/8" X 1"
8	24M7346	WASHER	2		X 11 X 20 X 2 MM
9	RE51649	KIT	1		X (MECHANICAL COMPONENTS)
	R82719	FITTING PLUG	2	XXXXXX-	X (USE WITH RE63183)
	R26286	O-RING	2	XXXXXX-	X (USE WITH RE63183)
10	RE51650	SEDIMENT BOWL	1		X
11	RE58376	FILTER ELEMENT	1	-XXXXXX	X (USE WITH RE54077) (SUB RE65431)
	RE62423	FILTER ELEMENT	1	XXXXXX-XXXXXX	X (USE WITH RE63182 OR RE54077) (SUB RE65431, APPL.)
	RE65431	FILTER ELEMENT	1	XXXXXX-	X
12	15H685	PIPE PLUG	2		X 1/4", (USE WITH RE54077 OR RE63182)
	R82719	FITTING PLUG	2	XXXXXX-	X (USE WITH RE63183)
	R26286	O-RING	2	XXXXXX-	X (USE WITH RE63183)
13	RE65432	FUEL FILTER	1		X PRIMARY

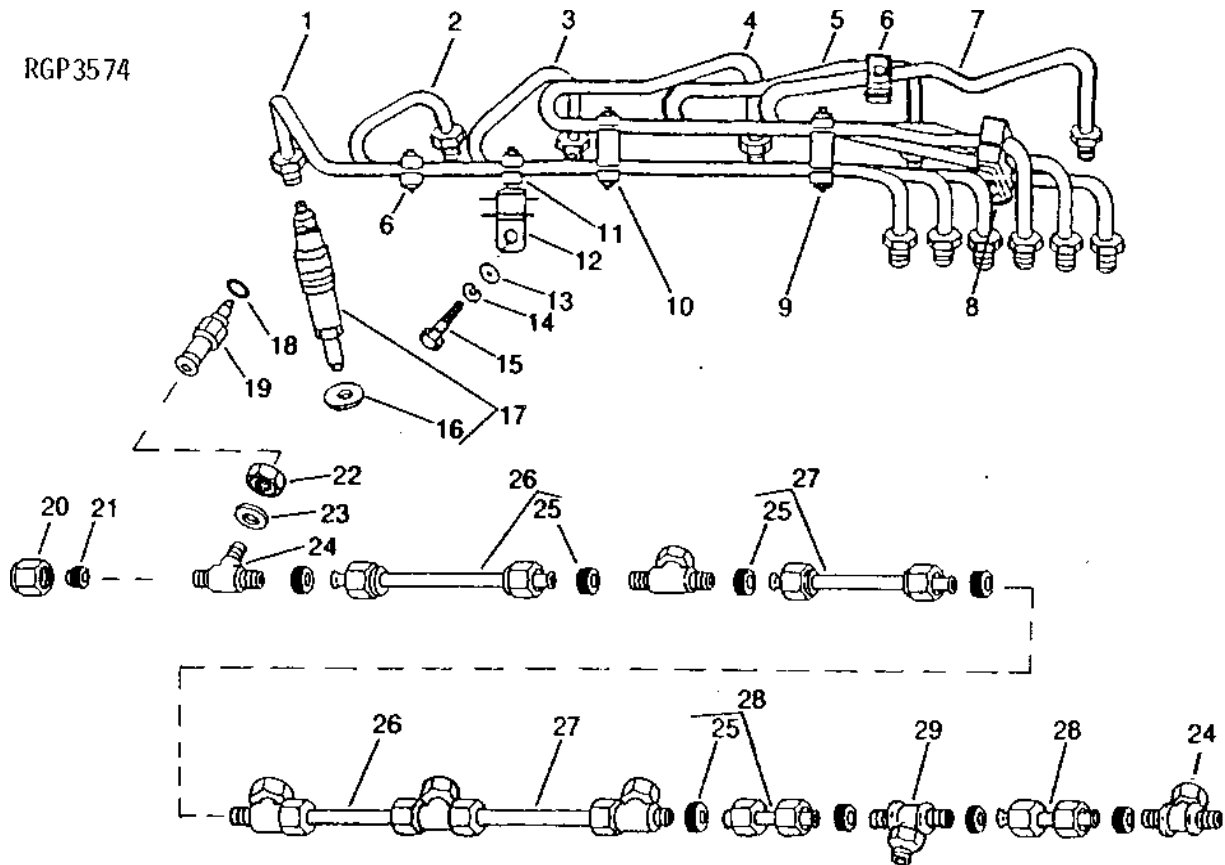
2F19

FUEL AND AIR

FUEL INJECTION NOZZLES AND LINES
TUYAUX D'INJECTION
FRAKTSTOFFLEITUNGEN
TABAZIONI COMBUSTIBILE
TUBERIAS DE COMBUSTIBLE
BRANSELEDNINGAR
RGP3574 -UN-01JAN94



RGP3574



2F20

FUEL AND AIR

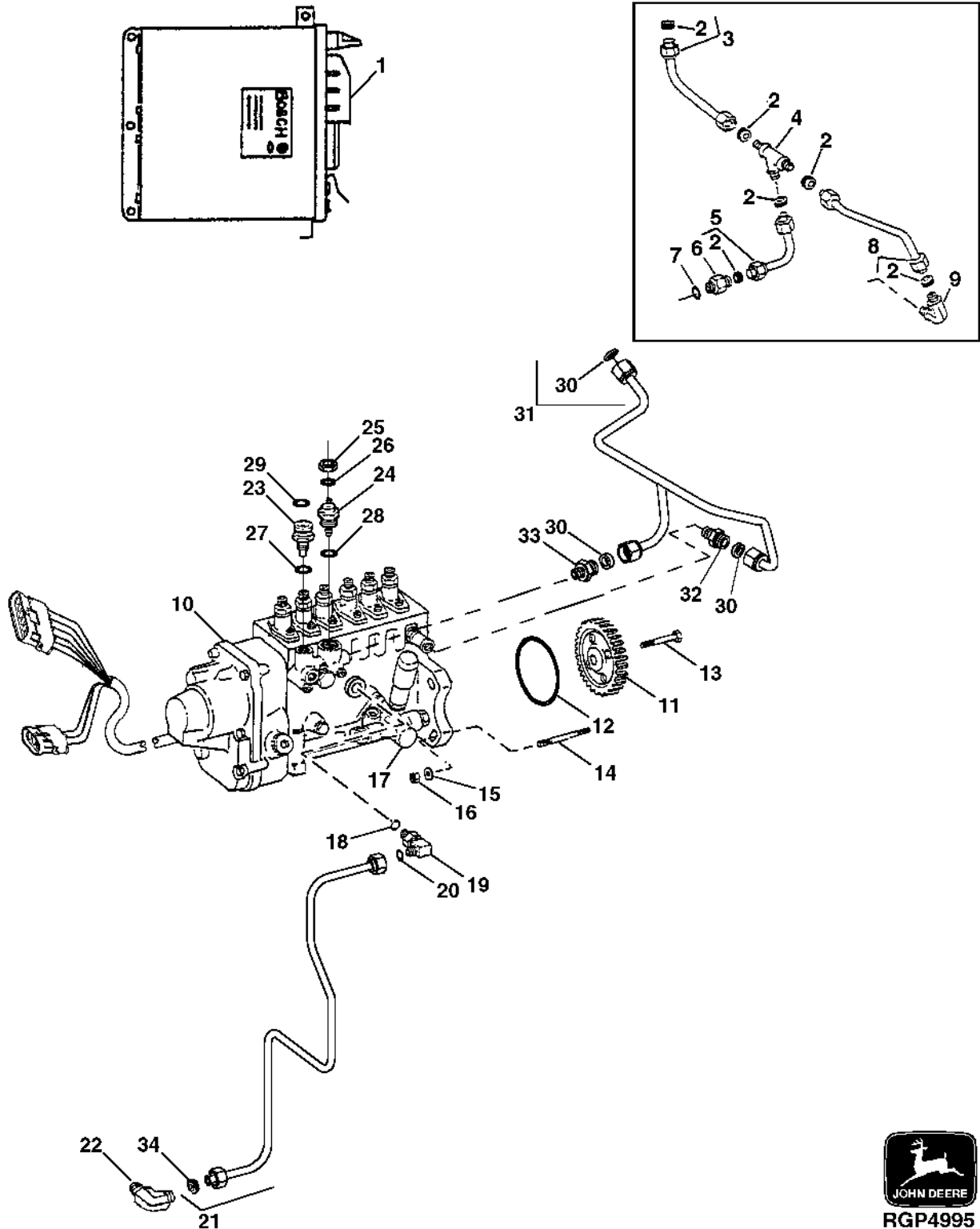
KEY	PART NO.	PART NAME	QTY	ENGINE SERIAL NO.	8 4 0 0	REMARKS
1	RE57151	FUEL LINE	1		X	NO. 6
2	RE57150	FUEL LINE	1		X	NO. 5
3	RE57149	FUEL LINE	1		X	NO. 4
4	RE57148	FUEL LINE	1		X	NO. 3
5	RE57147	FUEL LINE	1		X	NO. 2
6	R59305	STRAP	1		X	
	R58186	CLAMP	2		X	
	R61144	STRAP	1		X	
	21H1463	CAP SCREW	2		X	0.190" X 7/8"
7	RE57146	FUEL LINE	1		X	NO. 1
8	R59298	STRAP	1		X	
	R59297	HALF CLAMP	2		X	
	21H1463	CAP SCREW	2		X	0.190" X 7/8"
9	R59298	STRAP	2		X	
	R71212	CLAMP	1		X	
	R61145	STRAP	1		X	
	R71398	SCREW	2		X	0.190" X 1-1/2"
10	R59305	STRAP	1		X	
	R58186	CLAMP	1		X	
	R74030	CLAMP	1		X	
	R74804	CLAMP	1		X	
	R61144	STRAP	1		X	
	R71398	SCREW	1		X	0.190" X 1-1/2"
11	R59298	STRAP	1		X	
	R59297	HALF CLAMP	2		X	
	21H1463	CAP SCREW	2		X	0.190" X 7/8"
12	RE47120	ABSORBER	1		X	
13	24H1884	WASHER	1		X	13/32" X 13/16" X 0.120"
14	12M7066	LOCK WASHER	NA		X	10.200 MM
15	19M7166	CAP SCREW	1		X	M10 X 20
16	R84472	WASHER	6		X	
17	RE62615	INJECTION NOZZLE	6	-000225	X	(ROBERT BOSCH) (ORANGE DOT) (SUB RE61593)
	RE61593	INJECTION NOZZLE	6	000226-	X	(ROBERT BOSCH) (ORANGE DOT)
18	R77551	O-RING	6		X	
19	R87082	FITTING	6		X	(ALSO ORDER R77551)
20	R51937	TUBE NUT	1		X	
21	AR85519	PLUG	1		X	
22	R79604	TUBE NUT	6		X	
23	R79605	WASHER	6		X	
24	R79606	TEE FITTING	6		X	
25	R51936	PACKING	11		X	
26	RE15807	FUEL LINE	2		X	
27	RE15808	FUEL LINE	2		X	
28	RE36421	FUEL LINE	2		X	
29	R97061	TEE FITTING	1		X	

2F21

FUEL AND AIR

FUEL INJECTION PUMP, LUBE LINE AND ENGINE CONTROLLER
POMPE D'INJECTION/TUYAUX D'INJECTION
KRAFTSTOFF-EINSPRITZPUMPE/KRAFTSTOFFLEITUNGEN
POMPA DI INIEZIONE/TUBAZIONI COMBUSTIBILE
BOMBA DE INYECCION DE COMBUSTIBLE/TUBERIAS
INSPRUTNINGSPUMP/BRANSLELEDNINGAR

RGP4995 -UN-26MAR98



RGP4995

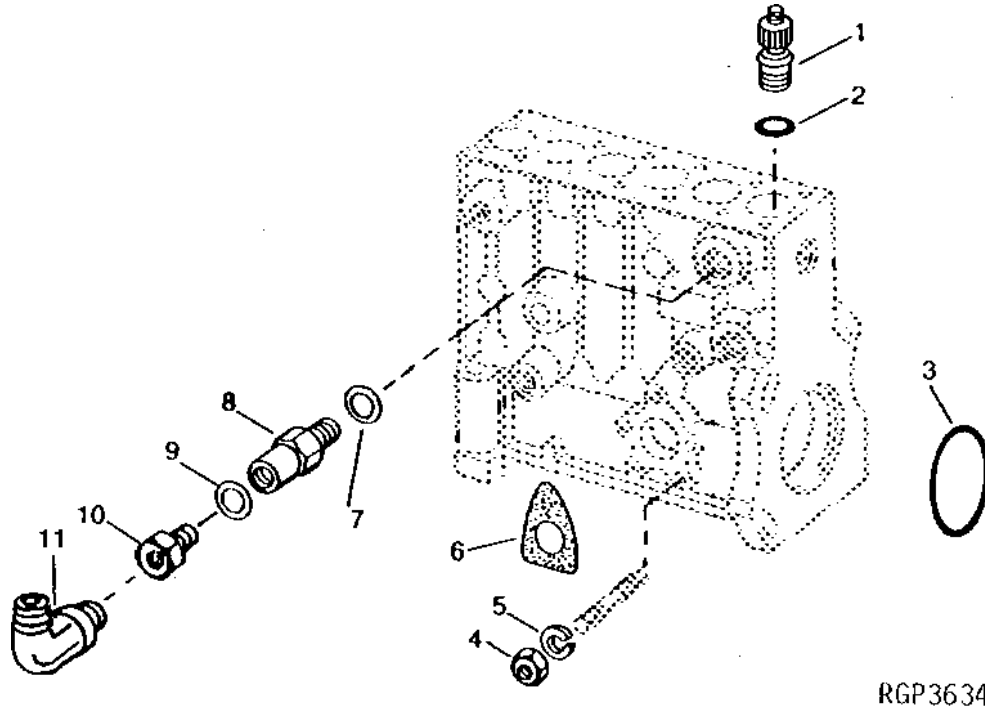
KEY	PART NO.	PART NAME	QTY	ENGINE SERIAL NO.	8 4 0 0	REMARKS
1	RE57501	ENGINE CONTROLLER	1	-009810	X	(ROBERT BOSCH) (MARKED RE28320) (SUB RE501823)
	RE501823	ENGINE CONTROLLER	1	-009810	X	(USE RE502124 OR RE503340 WITH 6081HRWOB) (USE RE502429 OR RE503184 WITH 6081HRW03) (MARKED RE501731) (SUB RE503340, RE503184, RE502429 OR RE502124 AND RE502125)
	RE69550	ENGINE CONTROLLER	1	009811-	X	(MARKED RE66614) (SUB RE500769, RE503340)
	RE500769	ENGINE CONTROLLER	1	009811-	X	(MARKED RE66614) (SUB RE503340 OR RE502124)
	RE502124	ENGINE CONTROLLER	1	009811-	X	(MARKED RE66614) (SUB RE503340) (SUB FOR RE502425)
	RE502124	ENGINE CONTROLLER	1		X	(MARKED RE66614) (SUB RE503340) (SUB FOR RE57501, RE501823, RE500769 OR RE502425)
	RE503340	ENGINE CONTROLLER	1		X	(MARKED RE66614) (SUB FOR RE502124)
	RE502125	KIT	1		X	(USE WITH RE66614) (MOUNTING KIT)
	RE502135	KIT	1		X	(BALER KIT)
2	R51936	PACKING	6	-035177	X	
3	RE30920	FUEL LINE	1	-035177	X	
4	R97061	TEE FITTING	1	-035177	X	
5	RE30833	FUEL LINE	1	-035177	X	
6	R91824	FITTING	1	-035177	X	
7	R48693	WASHER	1	-035177	X	
8	RE35684	FUEL LINE	1	-035177	X	
9	R67364	ELBOW FITTING	1	-035177	X	
10	RE61658	FUEL INJECTION PUMP	1		X	(A) (SUB FOR RE57373) (ROBERT BOSCH)(PES6P120A720RS7315)
11	R121164	GEAR	1		X	
12	R76358	O-RING	1		X	
13	R121195	CAP SCREW	4		X	(SUB FOR R112975) (T45)
14	R114130	STUD	4		X	
15	M72490	WASHER	4		X	
16	14H1090	NUT	4		X	9.525 MM (3/8")
17	RE46375	FUEL PUMP	1		X	
18	R79060	O-RING	1		X	(SUB FOR R73858)
19	AR88903	ELBOW FITTING	1		X	3/8"
20	R67264	PACKING	1		X	
21	RE60577	OIL LINE	1		X	
22	T18012	ELBOW FITTING	1		X	
23	RE28217	FUEL TEMPERATURE SENSOR	1		X	(TEMPERATURE)
24	R89014	SOLENOID	1		X	(SHUT-OFF HOUSING)
	R89014	SOLENOID	1		X	
25	14M7279	NUT	1		X	
26	12H296	WASHER	1		X	(SUB FOR R73858)
27	R53899	WASHER	1		X	(BOTTOM)
28	R99047	O-RING	1		X	(TEMPERATURE)
29	R98500	O-RING	1		X	(TOP)
30	R51936	PACKING	3	035178-	X	
31	RE66000	FUEL LINE	1	035178-	X	(SHUT-OFF HOUSING)
32	R63604	CONNECTOR	1	035178-	X	
33	RE67934	CONNECTOR	1	035178-	X	
	RING	1		X	(SUB RE67934)
34	R67264	PACKING	1		X	
..	R105388	TIE BAND	2		X	

(A) "SEE YOUR AUTHORIZED PUMP REPAIR STATION FOR PARTS NOT LISTED"

2F23

FUEL AND AIR

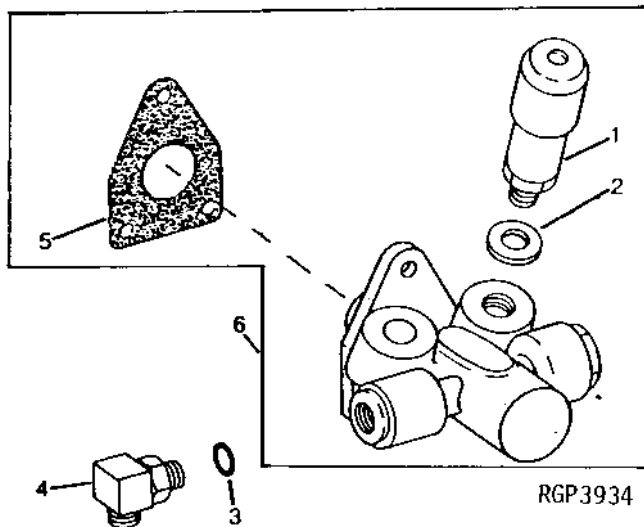
FUEL INJECTION PUMP HOUSING CONNECTORS
 CONNECTEURS DE CARTER DE POMPE D'INJECTION
 EINSPIRITZPUMPENGEHAEUSE ANSCHLUESSE
 CONNETTORI PER CARCASSA POMPA DI INIEZIONE
 CONECTORES DE CARCASSA DE LA BOMBA DE INYECCION DE GASOLINA
 BRAENSLEINSRUTNINGSPUMPHUSETS ANSLUTNINGAR
 RGP3634 -UN-01JAN94



KEY	PART NO.	PART NAME	QTY	ENGINE SERIAL NO.	REMARKS
1	R99531	HOLDER	6	8	X (NLA)
2	T24210	O-RING	6	4	X
3	R53884	O-RING	1	0	X
4	14M7297	NUT	3	0	X M5
5	12H296	WASHER	3	0	X 0.216"
6	R67879	GASKET	1	0	X
7	R53899	WASHER	1	0	X
8	RE36151	CONTROL VALVE	1	0	X
9	R53901	WASHER	1	0	X
10	R63016	ADAPTER	1	0	X
11	R67364	ELBOW FITTING	1	0	X
..	R93008	WASHER	1	0	X (FUEL INLET)
..	RE49446	ELBOW FITTING	1	0	X (FUEL INLET)

2F24

FUEL TRANSFER PUMP (ROBERT BOSCH)
 POMPE D'ALIMENTATION (ROBERT BOSCH)
 KRAFTSTOFFOERDERPUMPE (ROBERT BOSCH)
 POMPA ALIMENTACION DE COMBUSTIBLE (ROBERT BOSCH)
 BOMBA DE ALIMENTACION DE COMBUSTIBLE (ROBERT BOSCH)
 MATAREPUMP (ROBERT BOSCH)
 RGP3934 -UN-01JAN94

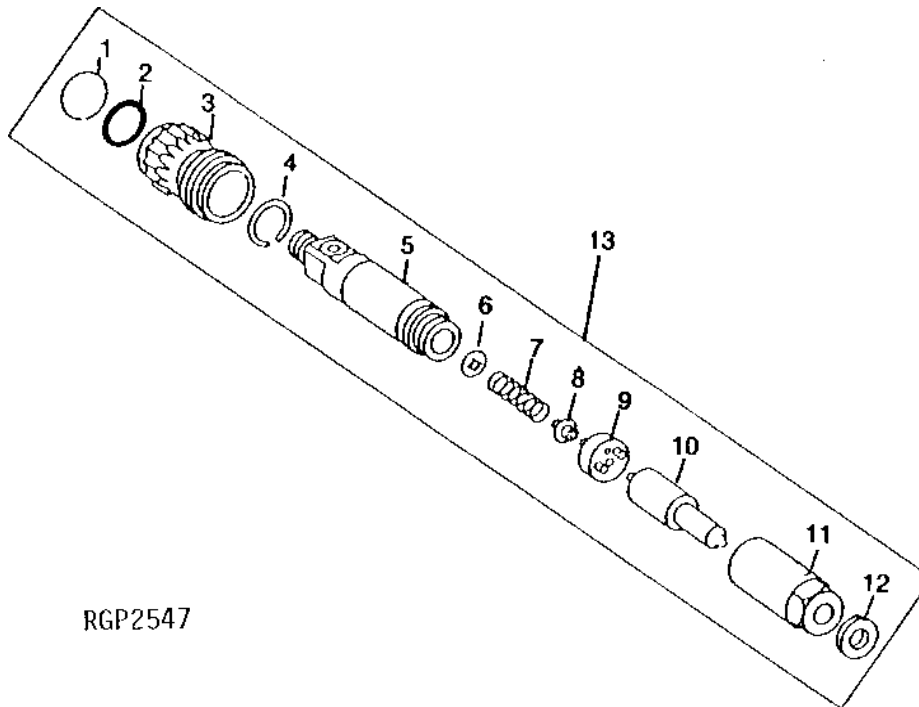


KEY	PART NO.	PART NAME	QTY	ENGINE SERIAL NO.	REMARKS
				8	
				4	
				0	
				0	
1	RE65265	HAND PRIMER	1	X	(SUB FOR RE48048)
2	R54025	WASHER	1	X	
3	R26448	O-RING	2	X	
4	RE10258	ELBOW FITTING	2	X	(TRANSFER PUMP TO RE65787)
	RE34128	ELBOW FITTING	1	X	(TRANSFER PUMP TO RE63313)
5	R67879	GASKET	1	X	
6	RE46375	FUEL PUMP	1	X	

2F25

FUEL AND AIR

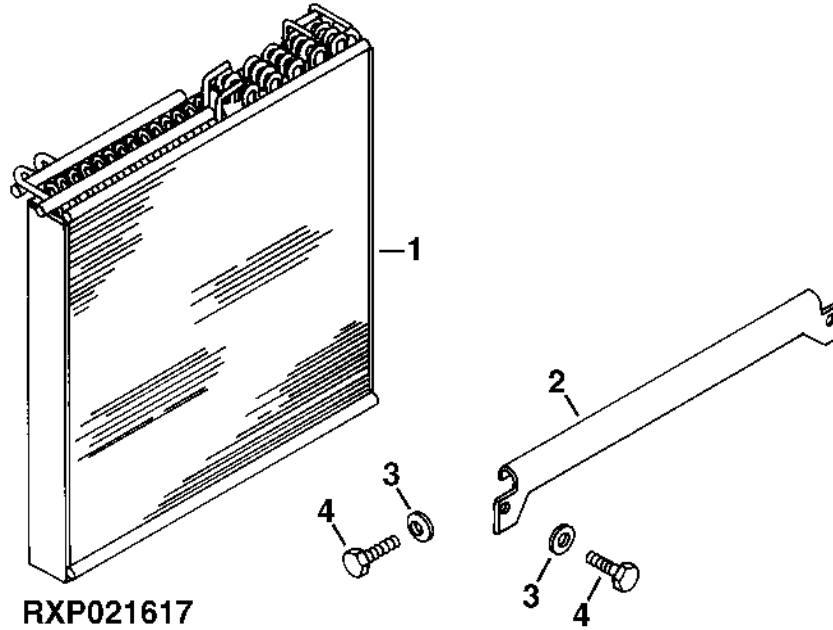
FUEL INJECTION NOZZLE
 INJECTEUR (CONCEPTION RECENTE)
 INIETTORE (NUOVO MODELLO)
 INIETTORE (NUOVO MODELLO)
 INYECTOR (DISEÑO RECIENTE)
 BRANSLÉINSPRUTARE (SENARE UTFOERANDE)
 RGP2547 -UN-01JAN94



RGP2547

KEY	PART NO.	PART NAME	QTY	ENGINE SERIAL NO.	REMARKS
				8	
				4	
				0	
				0	
1	R60277	SNAP RING	1		X
2	R375R	O-RING	1		X
3	R60279	NUT	1		X
4	R60278	SNAP RING	1		X
5	NOZZLE HOLDER	1		X (SUB RE62615)
6	R83720	WASHER	1		X 1.02 MM (.0402")
	R83721	WASHER	1		X 1.08 MM (.0425")
	R83722	WASHER	1		X 1.12 MM (.0441")
	R83723	WASHER	1		X 1.18 MM (.0465")
	R83724	WASHER	1		X 1.22 MM (.0480")
	R83725	WASHER	1		X 1.28 MM (.0504")
	R83726	WASHER	1		X 1.30 MM (.0512")
	R83727	WASHER	1		X 1.38 MM (.0543")
	R83728	WASHER	1		X 1.42 MM (.0559")
	R83729	WASHER	1		X 1.48 MM (.0583")
	R83730	WASHER	1		X 1.50 MM (.0591")
	R83731	WASHER	1		X 1.58 MM (.0622")
	R83732	WASHER	1		X 1.60 MM (.0630")
	R83733	WASHER	1		X 1.68 MM (.0661")
	R83734	WASHER	1		X 1.70 MM (.0669")
	R83735	WASHER	1		X 1.78 MM (.0701")
	R83736	WASHER	1		X 1.82 MM (.0717")
	R83737	WASHER	1		X 1.88 MM (.0740")
	R83738	WASHER	1		X 1.90 MM (.0748")
	R83739	WASHER	1		X 1.98 MM (.0780")
7	R108699	SPRING	1		X
8	R108700	SEAT	1		X
9	R108701	PLATE	1		X
10	RE42306	INJECTION NOZZLE	1		X (7 X 0.24)
11	R127181	NUT	1	-000225	X
	R127176	NUT	1	000226-	X (USE WITH RE61593)
12	R84472	WASHER	1		X (NOT INCLUDED W/ RE61593)
13	RE62615	INJECTION NOZZLE	6	-000225	X (ROBERT BOSCH) (1 ORANGE DOT) (SUB RE61593)
	RE61593	INJECTION NOZZLE	1	000226-	X

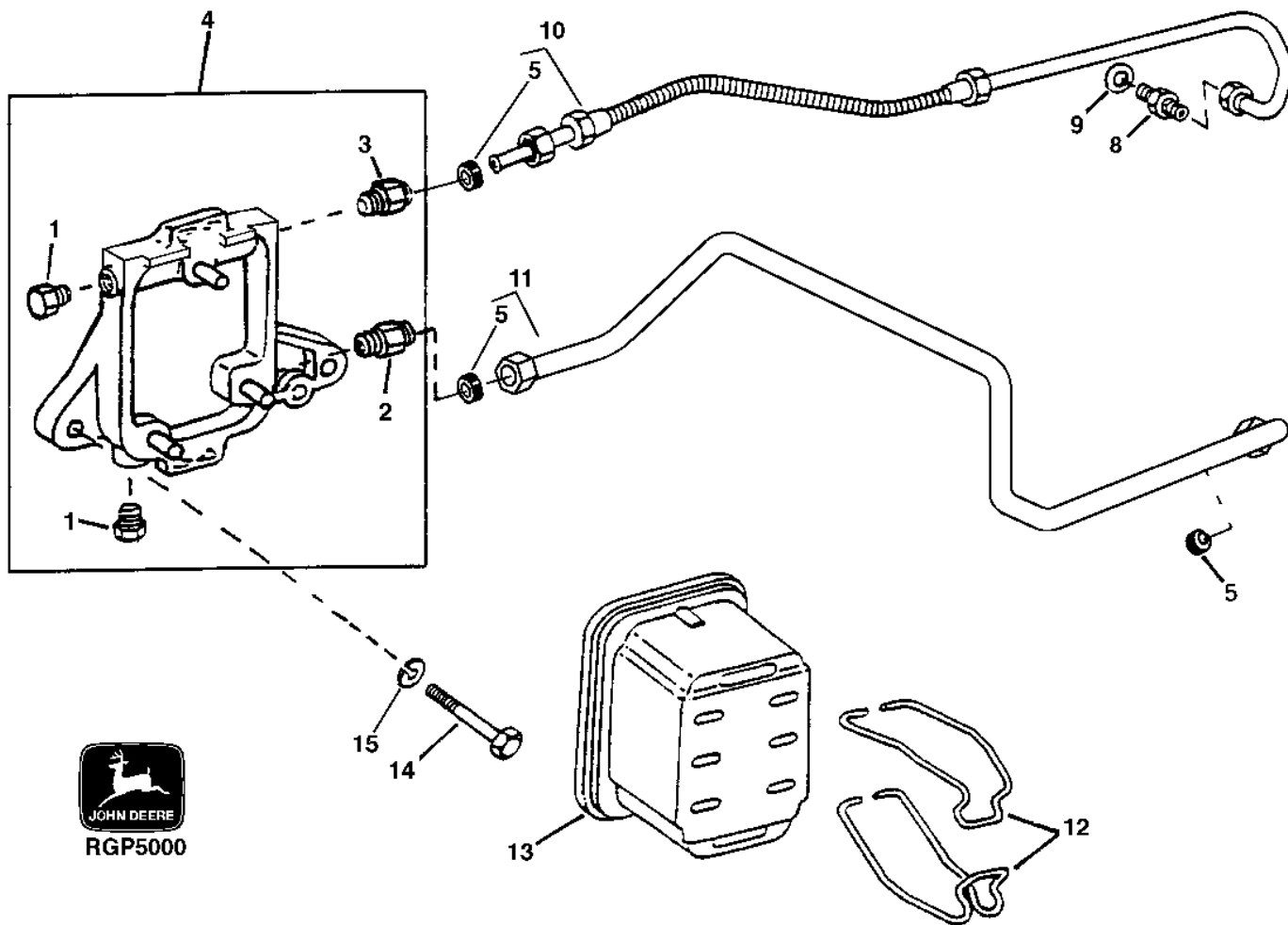
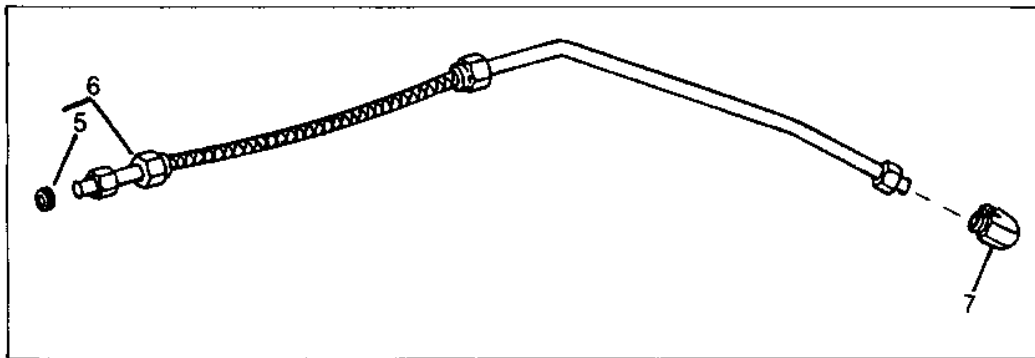
FUEL COOLER
 REFROIDISSEUR DE CARBURANT
 KRAFTSTOFFKUEHLER
 RADIATORE DEL CARBURANTE
 ENFRIADOR DE COMBUSTIBLE
 BRAENSLEKYLARE
 RXP021617 -UN-30JUL96



RXP021617

KEY	PART NO.	PART NAME	QTY	TRACTOR SERIAL NO.	A	REMARKS
					L	
1	RE63468	OIL COOLER	1	-009999	X	(SUB FOR RE61071)
	RE66573	OIL COOLER	1	010000-	X	
2	R63647	SUPPORT	1		X	
3	24M7336	WASHER	8		X	9 X 16 X 1.600 MM
4	19M7932	CAP SCREW	8		X	M8 X 16

FUEL FILTER AND LINES (ESN -002919)
FILTRE A COMBUSTIBLE (ESN -002919)
KRAFSTOFF-FILTER (ESN -002919)
FILTRO COMBUSTIBLE (ESN -002919)
FILTRO DE COMBUSTIBLE (ESN -002919)
BRANSLEFFILTER (ESN -002919)
RGP5000 -UN-25MAR98



2G3

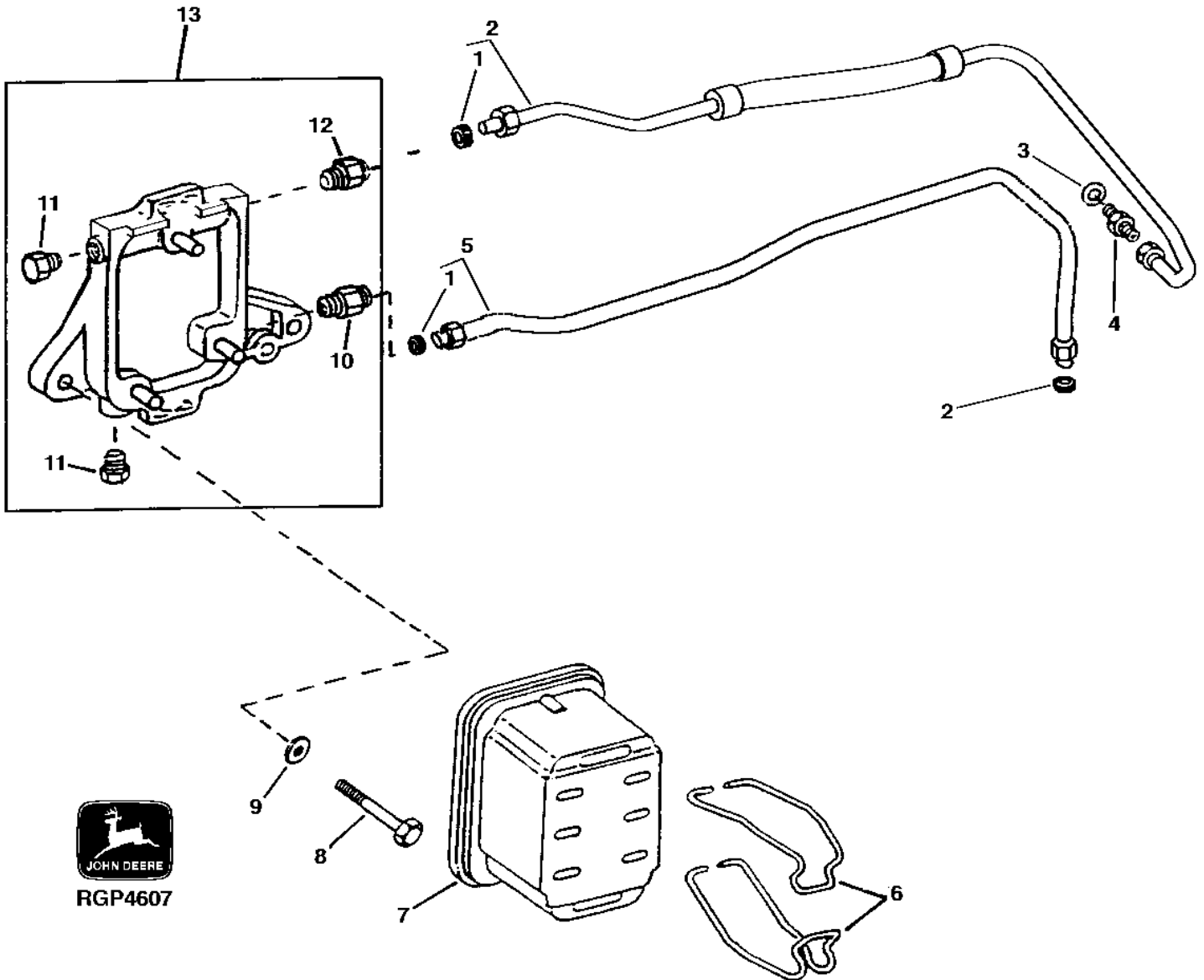
FUEL AND AIR

KEY	PART NO.	PART NAME	QTY	ENGINE SERIAL NO.	REMARKS
				8	
				4	
				0	
				0	
1	R119223	PLUG	2		X
2	RE54244	CHECK VALVE	1		X
3	RE54245	FITTING	1		X
4	RE61693	BASE	1		X (NOT AS SHOWN)
5	R67092	SEAL	4		X
6	RE49445	FUEL LINE	1	-XXXXXX	X (SUB RE47635) (NLA)
7	RE62345	ELBOW FITTING	1	-XXXXXX	X (SUB FOR RE49446) (USE WITH RE49445) (SUB RE47635) (NLA)
8	R83489	FITTING	1		X
9	R93008	WASHER	1		X
10	RE47635	FUEL LINE	1	XXXXXX-	X
11	RE49444	FUEL LINE	1		X (SUB RE65787 AND RE500280, THIS APPLICATION)
	R93008	WASHER	1		X
12	R89927	CLAMP	2		X
13	AR86745	FILTER ELEMENT	1		X (SUB FOR RE57073)
14	19H2964	CAP SCREW	2		X 7/16" X 1-1/8"
15	24H1325	WASHER	2		X 15/32" X 59/64" X 0.065"

2G4

FUEL AND AIR

FUEL FILTER AND LINES (ESN 002920-)
FILTRE A COMBUSTIBLE (ESN 002920-)
KRAFTSTOFF-FILTER (ESN 002920-)
FILTRO COMBUSTIBLE (ESN 002920-)
FILTRO DE COMBUSTIBLE (ESN 002920-)
BRANSLEFFILTER (ESN 002920-)
RGP4607 -UN-20NOV95



RGP4607

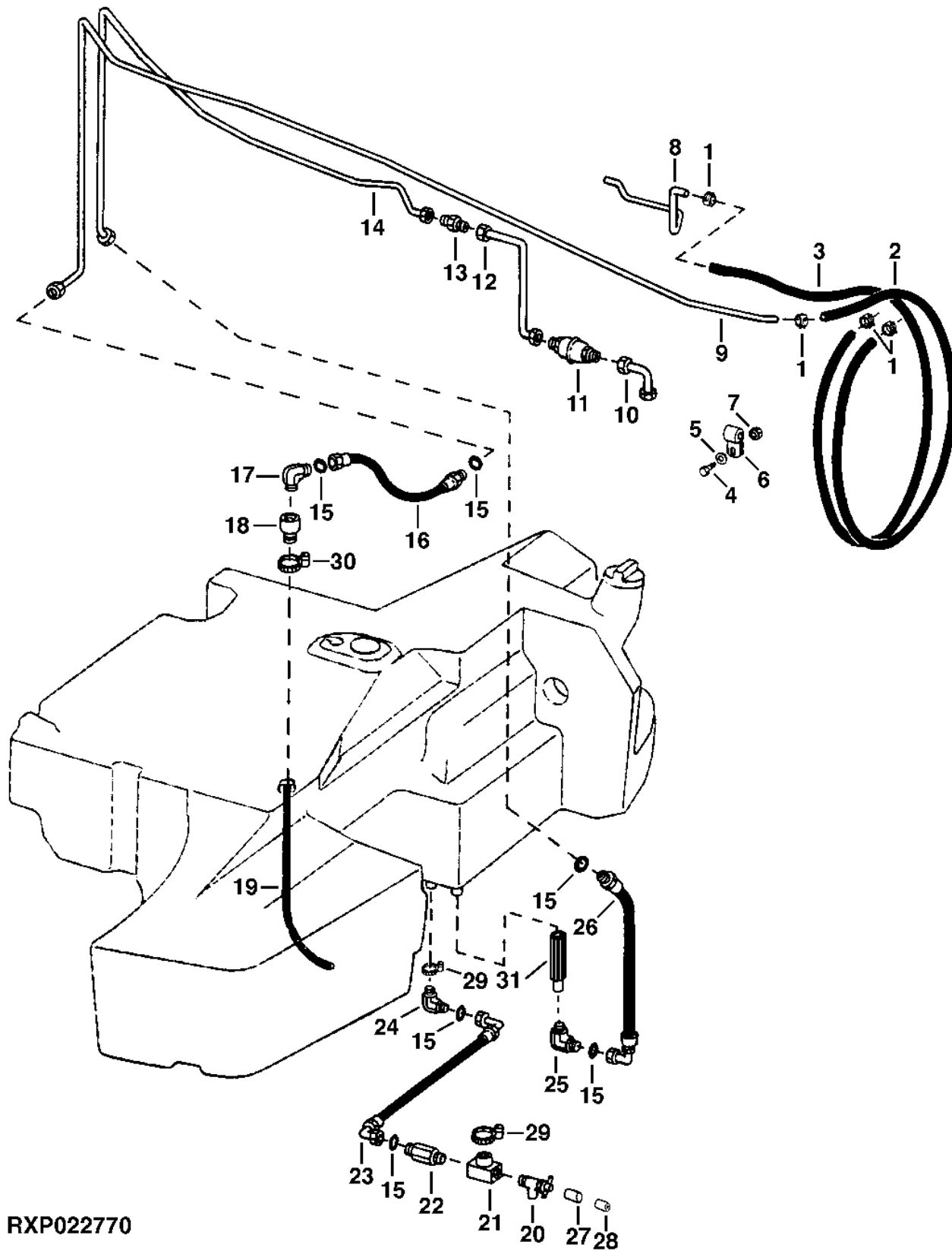
2G5

FUEL AND AIR

KEY	PART NO.	PART NAME	QTY	ENGINE SERIAL NO.	8 4 0 0	REMARKS
1	R67092	SEAL	3		X	
2	RE500280	FUEL LINE	1		X	(SUB FOR RE63414)
3	R93008	WASHER	1		X	
4	R83489	FITTING	1		X	
5	RE65787	FUEL LINE	1		X	(SUB FOR RE63413, THIS APPLICATION)
6	R89927	CLAMP	2		X	
7	AR86745	FILTER ELEMENT	1		X	
8	19H2964	CAP SCREW	2		X	7/16" X 1-1/8"
9	24H1325	WASHER	2		X	15/32" X 59/64" X 0.065"
10	RE54244	CHECK VALVE	1		X	
11	R119223	PLUG	2		X	
12	RE54245	FITTING	1		X	
13	RE61693	BASE	1		X	

2G6

FUEL LINES
TUYAUX D'INJECTION
KRAFTSTOFFLEITUNGEN
TABAZIONI COMBUSTIBILE
TUBERIAS DE COMBUSTIBLE
BRANSLELEDNINGAR
RXP022770 -UN-16JUL98



RXP022770

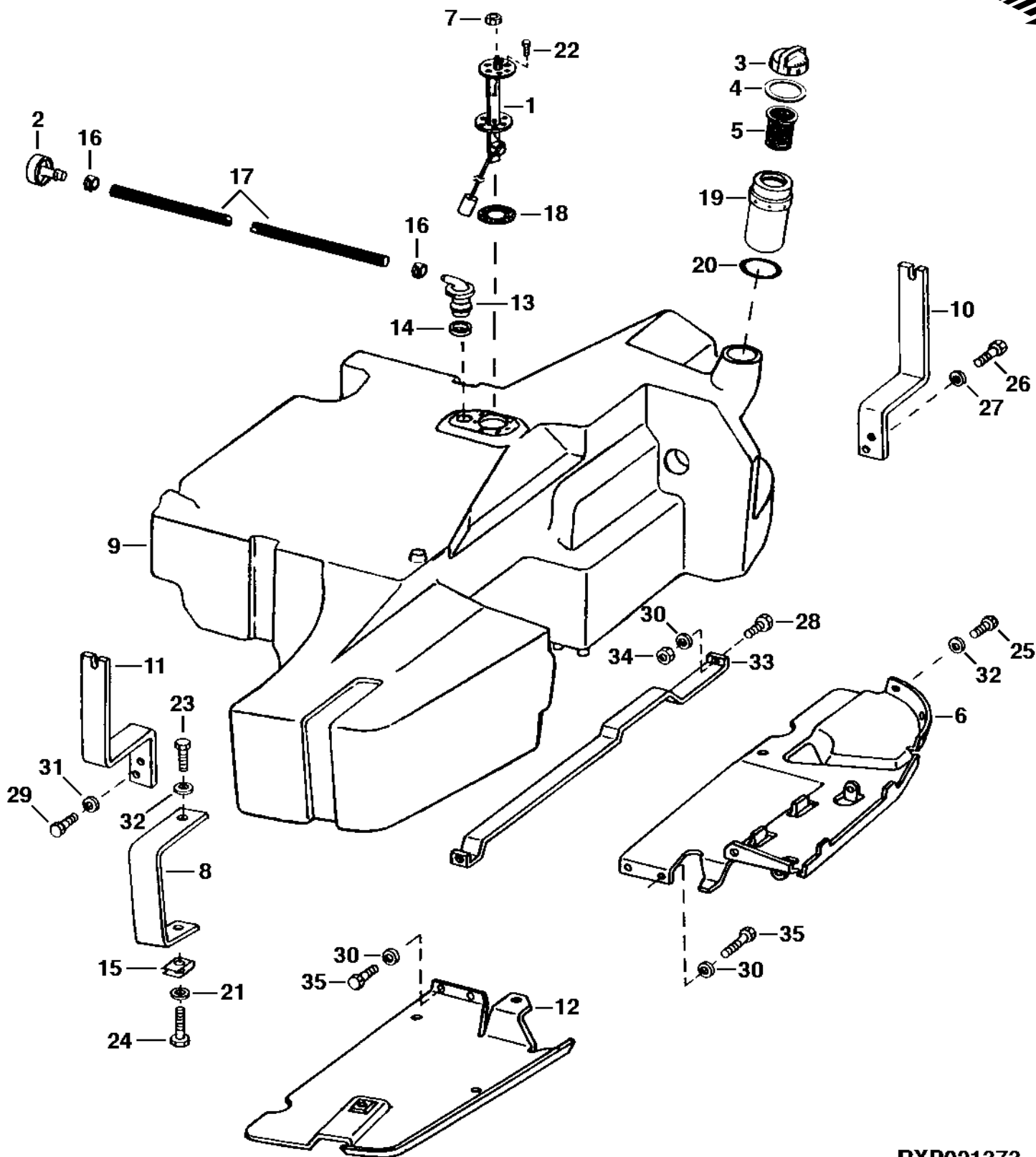
KEY	PART NO.	PART NAME	QTY	TRACTOR SERIAL NO.	A L L	REMARKS
1	TY22462	CLAMP	4		X	(SUB FOR AR48236)
2	R134711	HOSE	1		X	(SUB FOR R124362)
3	R134712	HOSE	1		X	(SUB FOR R124363)
4	19M7881	SCREW	1		X	M8 X 20
5	24M7336	WASHER	1		X	9 X 16 X 1.600 MM
6	AH87142	CLIP	1		X	
7	14M7372	NUT	1		X	M4
8	R126441	LINE	1	-009999	X	
	R134052	FUEL LINE	1	010000-	X	(SUB FOR R132540)
9	RE66671	FUEL LINE	1		X	(SUB FOR RE61148)
10	RE61813	HOSE	1		X	(NA TO 8400)
11	AR103220	STRAINER	1		X	(NA TO 8400)
12	RE61814	HOSE	1		X	(NA TO 8400)
	R67092	SEAL	2		X	
13	R125553	FITTING	1		X	
14	RE66672	FUEL LINE	1		X	(SUB FOR RE57850)
	R67092	SEAL	1		X	
15	T77857	O-RING	AR		X	
16	RE57849	HOSE	1		X	
17	R87907	ELBOW FITTING	2		X	
18	R120667	FLANGE FITTING	1		X	
19	R107601	HOSE	1		X	
20	RE61660	VALVE	1	-XXXXXX	X	(E)
	AM38104	SHUT-OFF VALVE	1	XXXXXX-	X	(F)
21	R122371	FITTING	1		X	
22	R122199	ADAPTER	1		X	
23	RE44718	HOSE	1	-XXXXXX	X	(A)
	RE62840	HOSE	1	XXXXXX-XXXXXX	X	(B) (C)
	RE65123	HYDRAULIC HOSE - FABRICATE	1	XXXXXX-	X	(D)
24	38H1519	ELBOW FITTING	1		X	
25	R87907	ELBOW FITTING	1		X	
26	RE60850	HYDRAULIC HOSE - FABRICATE	1		X	
27	N30405	ADAPTER	1	XXXXXX-	X	(F)
28	L2646N	PIPE PLUG	1	XXXXXX-	X	(F) (SUB FOR R126441)
29	TY22465	CLAMP	2	XXXXXX-	X	(F)
30	AT18904	CLAMP	1	XXXXXX-	X	(F)
31	R134770	STRAINER	1		X	
..	15H623	PIPE PLUG	1		X	3/8"

- (A)(-XXXXXX) 8100-001091; 8200-001095; 8300-001313; 8400-001041
- (B)(XXXXXX-) 8100-001092; 8200-001096; 8300-001314; 8400-001042
- (C)(-XXXXXX) 8100-003547; 8200-002729; 8300-004629; 8400-003075
- (D)(XXXXXX-) 8100-003548; 8200-002730; 8300-004630; 8400-003076
- (E)(-XXXXXX) 8100-002834; 8200-002236; 8300-003938; 8400-002549
- (F)(XXXXXX-) 8100-002835; 8200-002237; 8300-003939; 8400-002550

2G8

FUEL AND AIR

FUEL TANK
RESERVOIR A COMBUSTIBLE
KRAFTSTOFFTANK
SERBATOIO COMBUSTIBILE
DEPOSITO DE COMBUSTIBLE
BRANSETANK
RXP021373 -UN-06DEC95



RXP021373

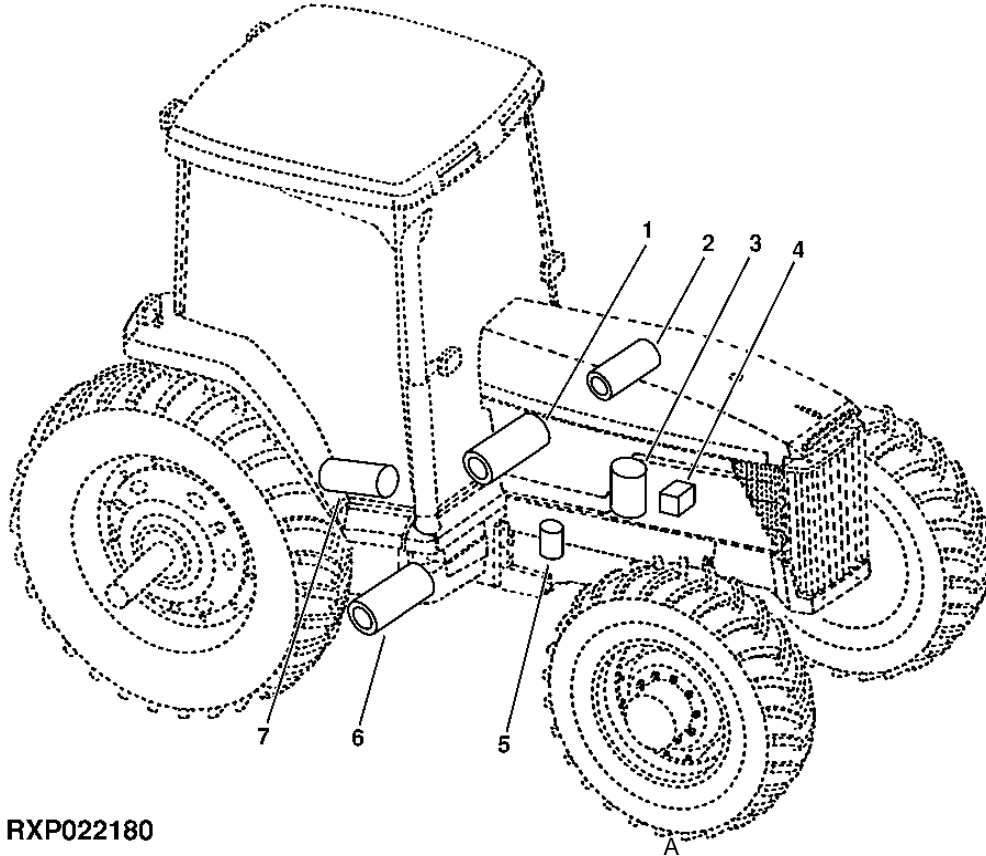
2G9

FUEL AND AIR

KEY	PART NO.	PART NAME	QTY	TRACTOR SERIAL NO.	A L L	REMARKS
1	RE51519	FUEL SENDER	1		X	
2	RE52504	BREATHER	1		X	
3	RE58873	FILLER CAP	1		X	
4	R122754	GASKET	1		X	
5	AH162914	STRAINER	1		X	(SUB FOR AH135155)
6	R107603	PLATE	1		X	
7	R32176	NUT	2		X	
8	R107138	SUPPORT	1		X	
9	RE151465	FUEL TANK	1		X	(SUB FOR RE60321 OR RE67610)
10	R126656	STRAP	1	-XXXXXX	X	(SUB FOR R124011) (SUB RE65320)
	R126525	BRACKET	1	-XXXXXX	X	L.H. (REAR) (SUB RE65320)
	RE65320	STRAP	1	XXXXXX-	X	
	19M7938	CAP SCREW	1		X	M10 X 20
	24M7346	WASHER	1		X	11 X 20 X 2 MM
11	R124012	STRAP	1		X	
12	R112477	PLATE	1		X	
13	R114022	VENT	1		X	
14	R114023	GROMMET	1		X	
15	R120213	NUT	1		X	
16	R56101	CLIP	2		X	
17	R125344	HYDRAULIC HOSE - FABRICATE	1		X	
18	R95430	GASKET	1		X	
19	R116933	FUNNEL	1		X	
20	R120233	O-RING	1		X	
21	24M7047	WASHER	1		X	13 X 24 X 2.500 MM
22	19M7640	CAP SCREW	6		X	M5 X 12
23	19M8011	CAP SCREW	2		X	M12 X 30
24	19M7744	CAP SCREW	1		X	M12 X 35
25	19M8011	CAP SCREW	1		X	M12 X 30
26	19M7744	CAP SCREW	1		X	M12 X 35
27	24M7047	WASHER	3		X	13 X 24 X 2.500 MM
28	03M7192	BOLT	2		X	M10 X 30
29	19M8011	CAP SCREW	1		X	M12 X 30
30	24M7028	WASHER	6		X	10.500 X 20 X 2 MM
31	24M7240	WASHER	3		X	13 X 25 X 3 MM
32	24M7207	WASHER	1		X	8.400 X 24 X 2 MM
33	R122429	STRAP	1		X	
34	14M7274	NUT	2		X	M10
35	19M7382	CAP SCREW	4		X	M10 X 40
..	H143834	NUT	2		X	
..	19M7788	SCREW	1		X	M12 X 25, CAB SUPPORT TO FUEL TANK OUTER

2G10

FILTERS
 FILTRES
 FILTER
 FILTRI
 FILTROS
 FILTER
 RXP022180 -UN-02SEP97



RXP022180

KEY	PART NO.	PART NAME	QTY	TRACTOR SERIAL NO.		REMARKS
				A	L	
1	RE51629	FILTER ELEMENT	1	X		
2	RE51630	FILTER ELEMENT	1	X		
3	RE57394	OIL FILTER	1	X		
4	AR86745	FILTER ELEMENT	1	X		
5	RE65431	FILTER ELEMENT	1	X		
6	R119168	AIR FILTER	1	X		
	RE67828	AIR FILTER	1	X	(A)	
7	RE51797	OIL FILTER	1	X		

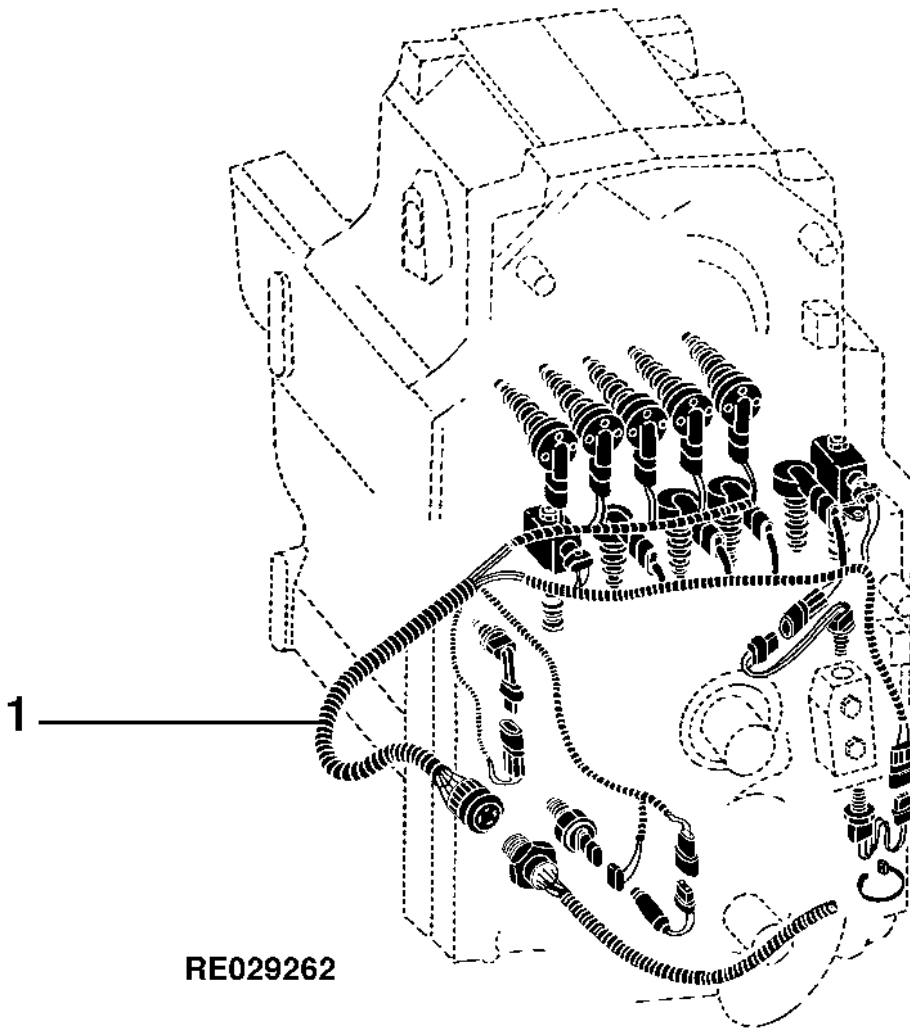
(A) HIGH EFFICIENCY
 HAUT RENDEMENT
 HOCHLEISTUNGSFAEHIG
 ALTA EFFICIENZA
 ALTA EFICIENCIA
 HOEG EFFEKTIVITET

3D12

ELECTRICAL

SECTIONAL INDEX
GRUPPENINDEX
INDEX DE SECTION
INDICE DELLA SEZIONE
INDICE DE SECCION
GRUPPSFORTECKNING

RE029262 -UN-10MAY99



RE029262

1 -	3D19
2 -	3D23
3 -	3E9
4 -	3E19
5 -	3E21
6 -	3E23
7 -	3E25
8 -	3F1
9 -	3F2
10 -	3F4
11 -	3F6
12 -	3F8
13 -	3F9
14 -	3F10
15 -	3F11
16 -	3F12
17 -	3F14
18 -	3F15
19 -	3F16
20 -	3F20
21 -	3F21
22 -	3F22
23 -	3F24
24 -	3G1
25 -	3G5
26 -	3G9
27 -	3G11
28 -	3G13
28 -	3G15
29 -	3G17
30 -	3G18
31 -	3G20
32 -	3G21
33 -	3G22
34 -	3G23
35 -	3G24
36 -	3G25
37 -	3H1
37 -	3H2
38 -	3H3
39 -	3H4
40 -	3H10
41 -	3H12
42 -	3H13
43 -	3H14
44 -	3H16
45 -	3H18
46 -	3H21
47 -	3I1
48 -	3I5

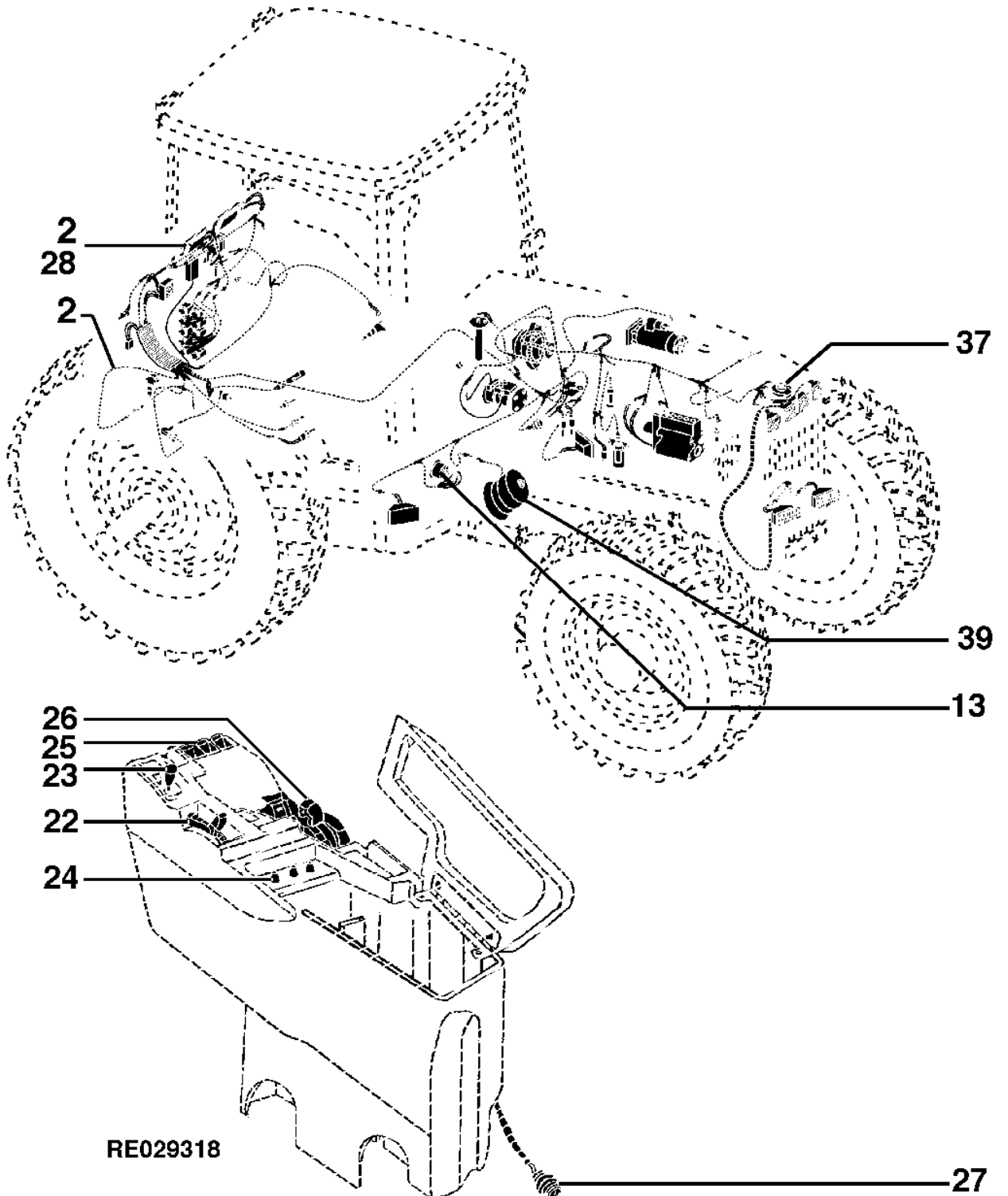
3D13

ELECTRICAL

SECTIONAL INDEX
 GRUPPENINDEX
 INDEX DE SECTION
 INDICE DELLA SEZIONE
 INDICE DE SECCION
 GRUPPSFORTECKNING

RE029318 -UN-10MAY99

1-	3D19
2-	3D23
3-	3E9
4-	3E19
5-	3E21
6-	3E23
7-	3E25
8-	3F1
9-	3F2
10-	3F4
11-	3F6
12-	3F8
13-	3F9
14-	3F10
15-	3F11
16-	3F12
17-	3F14
18-	3F15
19-	3F16
20-	3F20
21-	3F21
22-	3F22
23-	3F24
24-	3G1
25-	3G5
26-	3G9
27-	3G11
28-	3G13
28-	3G15
29-	3G17
30-	3G18
31-	3G20
32-	3G21
33-	3G22
34-	3G23
35-	3G24
36-	3G25
37-	3H1
37-	3H2
38-	3H3
39-	3H4
40-	3H10
41-	3H12
42-	3H13
43-	3H14
44-	3H16
45-	3H18
46-	3H21
47-	3I1
48-	3I5



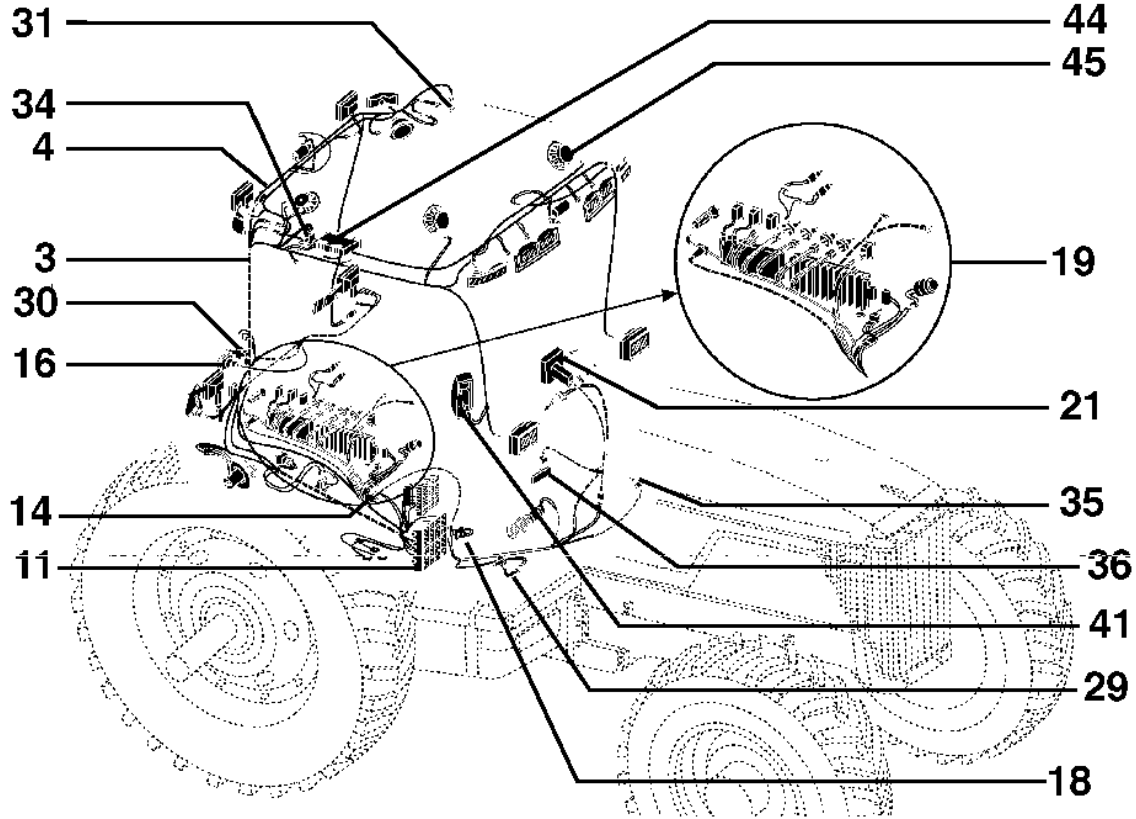
RE029318

3D14

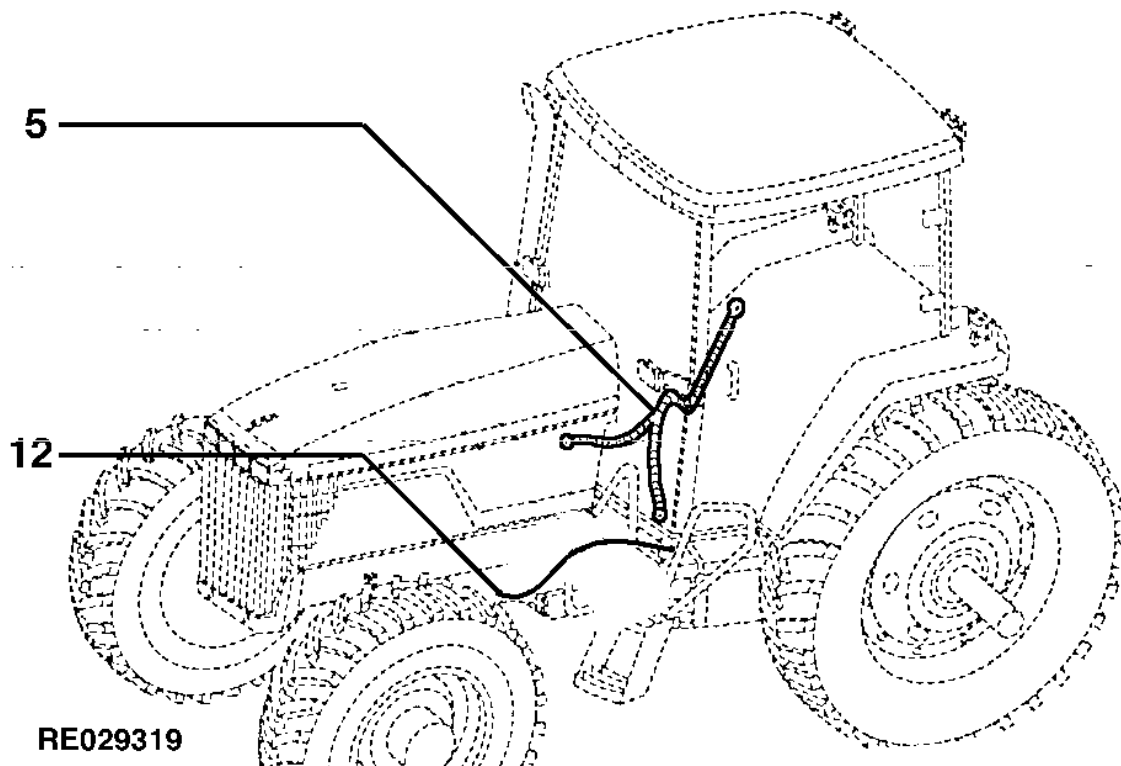
ELECTRICAL

SECTIONAL INDEX
 GRUPPENINDEX
 INDEX DE SECTION
 INDICE DELLA SEZIONE
 INDICE DE SECCION
 GRUPPSFORTECKNING

RE029319 -UN-10MAY99



1 -	3D19
2 -	3D23
3 -	3E9
4 -	3E19
5 -	3E21
6 -	3E23
7 -	3E25
8 -	3F1
9 -	3F2
10 -	3F4
11 -	3F6
12 -	3F8
13 -	3F9
14 -	3F10
15 -	3F11
16 -	3F12
17 -	3F14
18 -	3F15
19 -	3F16
20 -	3F20
21 -	3F21
22 -	3F22
23 -	3F24
24 -	3G1
25 -	3G5
26 -	3G9
27 -	3G11
28 -	3G13
28 -	3G15
29 -	3G17
30 -	3G18
31 -	3G20
32 -	3G21
33 -	3G22
34 -	3G23
35 -	3G24
36 -	3G25
37 -	3H1
37 -	3H2
38 -	3H3
39 -	3H4
40 -	3H10
41 -	3H12
42 -	3H13
43 -	3H14
44 -	3H16
45 -	3H18
46 -	3H21
47 -	3I1
48 -	3I5



RE029319

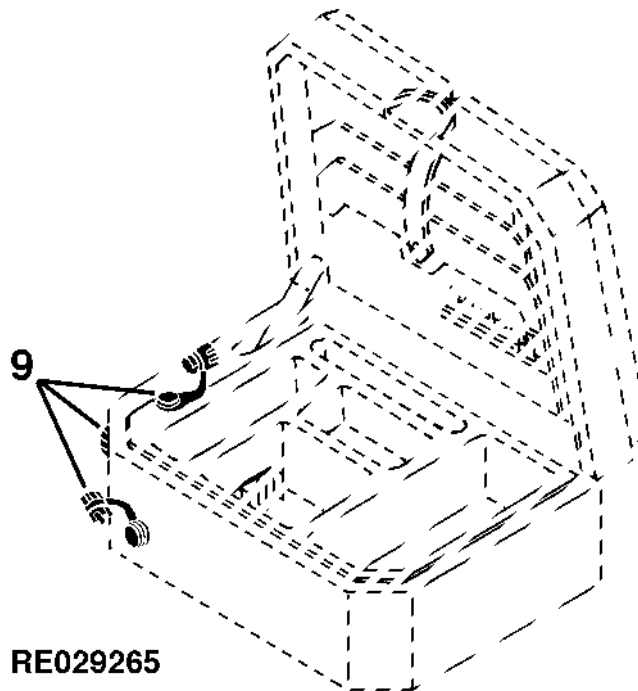
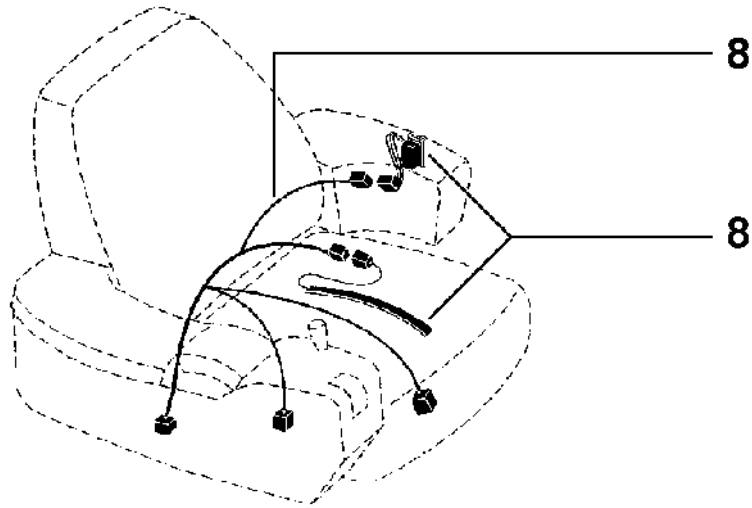
3D15

ELECTRICAL

SECTIONAL INDEX
GRUPPENINDEX
INDEX DE SECTION
INDICE DELLA SEZIONE
INDICE DE SECCION
GRUPPSFORTECKNING

RE029265 -UN-10MAY99

1-	3D19
2-	3D23
3-	3E9
4-	3E19
5-	3E21
6-	3E23
7-	3E25
8-	3F1
9-	3F2
10-	3F4
11-	3F6
12-	3F8
13-	3F9
14-	3F10
15-	3F11
16-	3F12
17-	3F14
18-	3F15
19-	3F16
20-	3F20
21-	3F21
22-	3F22
23-	3F24
24-	3G1
25-	3G5
26-	3G9
27-	3G11
28-	3G13
28-	3G15
29-	3G17
30-	3G18
31-	3G20
32-	3G21
33-	3G22
34-	3G23
35-	3G24
36-	3G25
37-	3H1
37-	3H2
38-	3H3
39-	3H4
40-	3H10
41-	3H12
42-	3H13
43-	3H14
44-	3H16
45-	3H18
46-	3H21
47-	3I1
48-	3I5



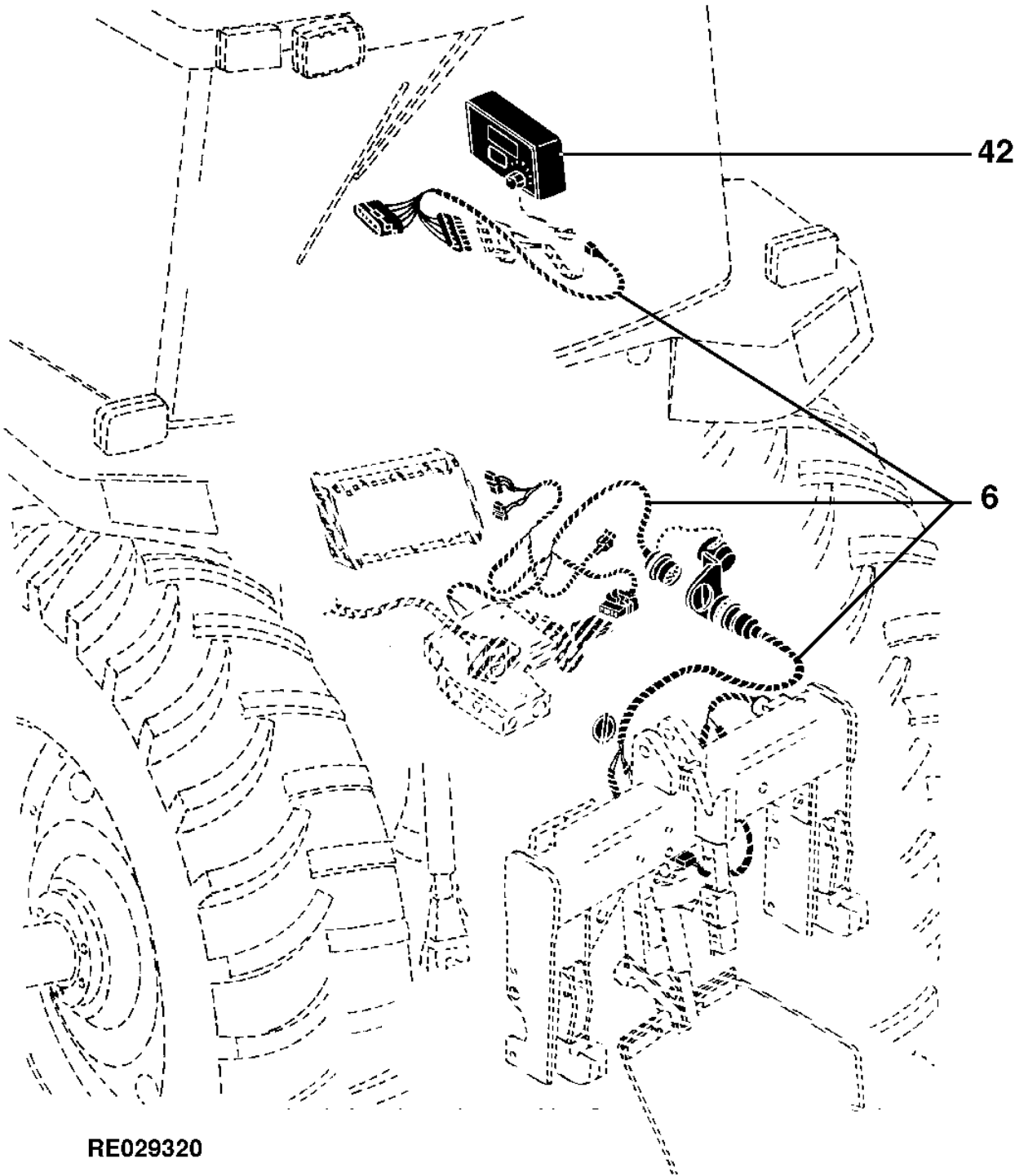
RE029265

3D16

ELECTRICAL

SECTIONAL INDEX
 INDEX DE SECTION
 GRUPPENINDEX
 INDICE DELLA SEZIONE
 INDICE DE SECCION
 GRUPPSFORTECKNING

RE029320 -UN-10MAY99



1 -	3D19
2 -	3D23
3 -	3E9
4 -	3E19
5 -	3E21
6 -	3E23
7 -	3E25
8 -	3F1
9 -	3F2
10 -	3F4
11 -	3F6
12 -	3F8
13 -	3F9
14 -	3F10
15 -	3F11
16 -	3F12
17 -	3F14
18 -	3F15
19 -	3F16
20 -	3F20
21 -	3F21
22 -	3F22
23 -	3F24
24 -	3G1
25 -	3G5
26 -	3G9
27 -	3G11
28 -	3G13
28 -	3G15
29 -	3G17
30 -	3G18
31 -	3G20
32 -	3G21
33 -	3G22
34 -	3G23
35 -	3G24
36 -	3G25
37 -	3H1
37 -	3H2
38 -	3H3
39 -	3H4
40 -	3H10
41 -	3H12
42 -	3H13
43 -	3H14
44 -	3H16
45 -	3H18
46 -	3H21
47 -	3I1
48 -	3I5

RE029320

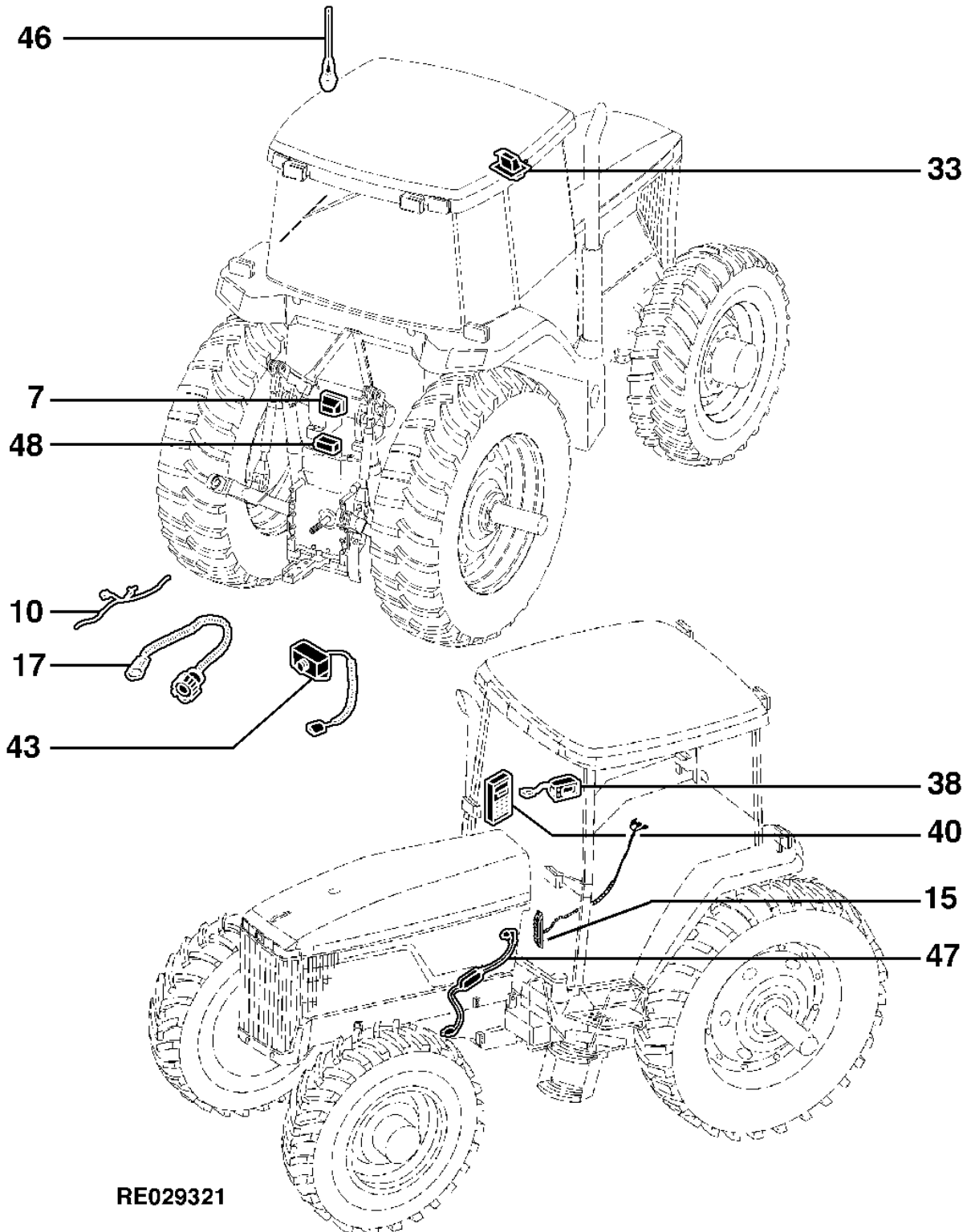
3D17

ELECTRICAL

SECTIONAL INDEX
 INDEX DE SECTION
 GRUPPENINDEX
 INDICE DELLA SEZIONE
 INDICE DE SECCION
 GRUPPSFORTECKNING

RE029321 -UN-10MAY99

1-	3D19
2-	3D23
3-	3E9
4-	3E19
5-	3E21
6-	3E23
7-	3E25
8-	3F1
9-	3F2
10-	3F4
11-	3F6
12-	3F8
13-	3F9
14-	3F10
15-	3F11
16-	3F12
17-	3F14
18-	3F15
19-	3F16
20-	3F20
21-	3F21
22-	3F22
23-	3F24
24-	3G1
25-	3G5
26-	3G9
27-	3G11
28-	3G13
28-	3G15
29-	3G17
30-	3G18
31-	3G20
32-	3G21
33-	3G22
34-	3G23
35-	3G24
36-	3G25
37-	3H1
37-	3H2
38-	3H3
39-	3H4
40-	3H10
41-	3H12
42-	3H13
43-	3H14
44-	3H16
45-	3H18
46-	3H21
47-	3I1
48-	3I5



RE029321

SYMBOL DESCRIPTION
DESCRIPTION DE SYMBOLE
SYMBOL-BESCHREIBUNG
DESCRIZIONE DEI SIMBOLI
DESCRIPCION DEL SIMBOLO
SYMBOLBESKRIVNING
 RE027856 -UN-10MAY99

	ENGLISH	FRANCAIS	DEUTSCH
(ACU)	Armrest Control Unit	Commande d'accoudoir	Armlehnen-Steuerereinheit
(CCU)	Central Control Unit	Unite' commande centrale	Hauptsteuerereinheit
(ECU)	Engine Control Unit	Unite' de commande moteur	Motorsteuerereinheit
(HCU)	Hitch Control Unit	Unite' de commande attel	Regelhydraulik-Steuerereinheit
(ICU)	InstrumentControl Unit	Unite' commande instrum	Instrumenten-Steuerereinheit
(PCU)	Powershift Control Unit	"Unite, comde, servotrans"	Powershift-Steuerereinheit
(RCU)	Reverser Control Unit	Unite de commande d'inverseur	Umkehrgetriebe-Steuerereinheit
(SCo)	Selective Control Option	Option de commande dist.	Steuerereinheit-Option
(SCU)	Selective Control Unit	Unite de cmde dist.sel.	Steuerereinheit
(SCV)	Selective Control Valve	Distributeur selectif	Zusatzsteuerventil
(SSU)	Steering System Unit	Unite du systeme de direction	Lenksystem-Einheit
(SUP)	Set-Up Panel	Panneau de reglage	Einstellungs-Armaturenbrett

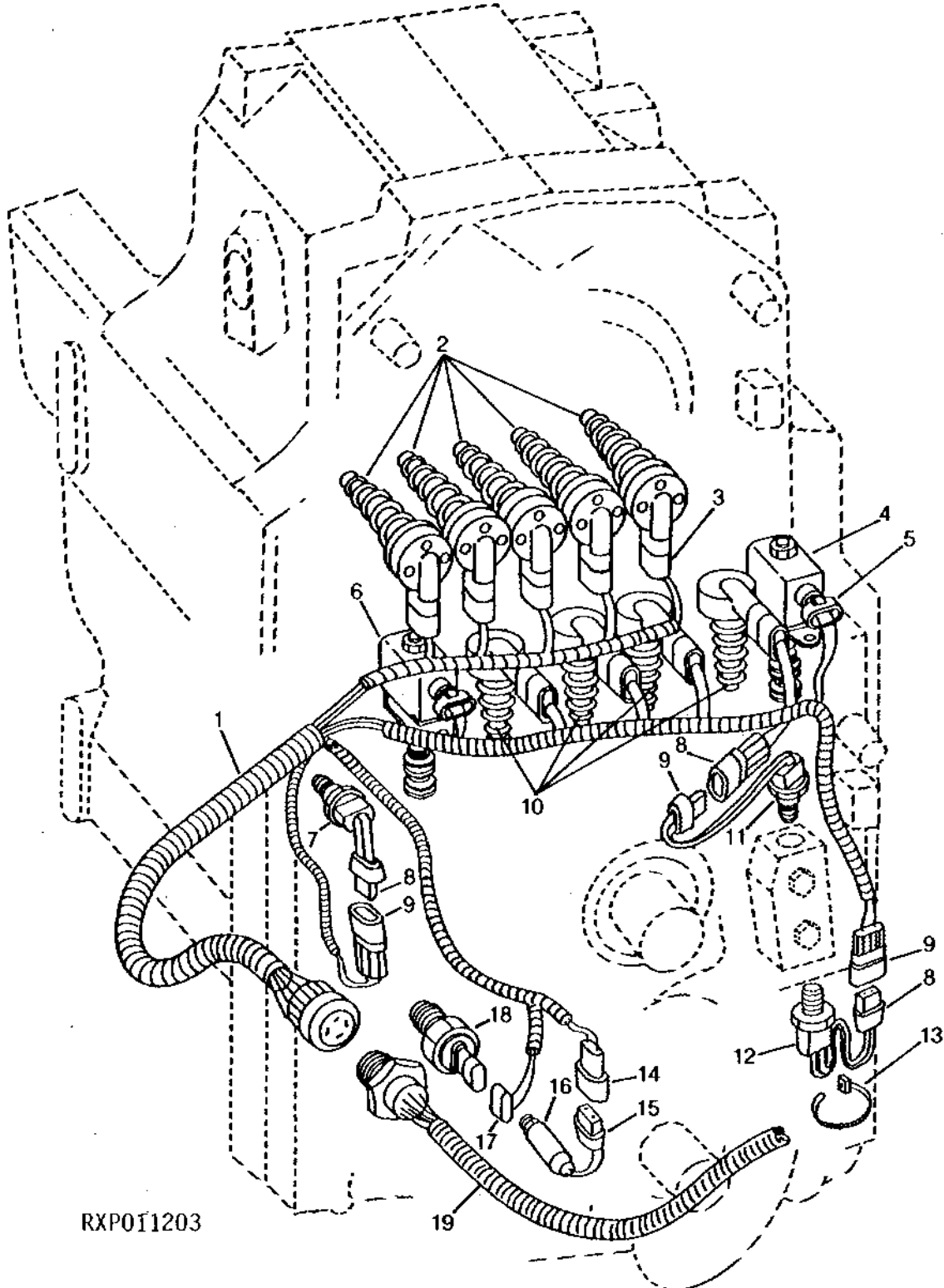
	ITALIANO	ESPAÑOL	SVENSKA
(ACU)	Unita di comando bracciolo	Unidad de control en el apoyabrazos	"Armstoed, styreinhet"
(CCU)	Unita di comando centrale	Unidad central de control	Central strenhet
(ECU)	Unita di comando del motore	Unidad de control del motor	Motorstyrenhet
(HCU)	Unita di comando del sollevatore	Unidad de control del enganche	Lyftstyrenhet
(ICU)	Unita di comando degli strumenti	Unidad de control de instrumentos	Instrumentstyreinhet
(PCU)	Unita di comando Power Shift	Unidad de control de la servotransmision	Power Shift-styrenhet
(RCU)	Unita' di comando inversore	Unidad de control del inversor	Styrenhet foer fram-/backkopplare
(SCo)	Unita di comando dei distruttori a richiesta	Opcion de control selectivo	"Hydrauloljeventil, tillval"
(SCU)	Unita di comando dei distributori	Unidad de control selectivo	Hydrauloljeventilenhet
(SCV)	Valvola di controllo selettivo	Valvula de control selectivo	Selektiv manoeverventil
(SSU)	Unita' del sistema dello sterzo	Unidad del sistema de la direccion	Styrsystemenhet
(SUP)	Pannello di impostazione	Panel de preparacion	Instaellningspanel

RE027856

3D19

ELECTRICAL

WIRING HARNESS (TRANSMISSION)(TSN -019999)
FAISCEAU DE CABLES(BOITE DE VITESSES)(TRANSMISSION)(TSN -019999)
KABELBAUM(GETRIEBE)(TSN -019999)
CABLAGGIO(TRASMISSIONE)(TSN -019999)
GRUPO DE CABLES(TRANSMISION)(TSN -019999)
KABELHAERVA(KRAFTOEVERFOERING)(TSN -019999)
RXP011203 -UN-01JAN94



RXP011203

KEY	PART NO.	PART NAME	QTY	TRANSMISSION SERIAL NO.	A L L	REMARKS
1	RE60542	WIRING HARNESS	1		X	(ALSO ORDER 51M7041) (SUB FOR RE52868)
2	RE71490	VALVE	5		X	(ALSO ORDER U41966, U11326, R62070, R106663, P42061 AND R150892)
3	57M7278	CONNECTOR	1		X	(ALSO ORDER (2) R104701)
4	RE52319	SOLENOID VALVE	1		X	
5	57M7278	CONNECTOR	1		X	(ALSO ORDER (2) R104701)
6	RE52319	SOLENOID VALVE	1		X	
7	RE160680	SWITCH	1		X	(A) (SUB FOR RE61344, RE62929, RE65350 OR RE66881) (ALSO ORDER 51M7041)
8	57M7365	CONNECTOR	1		X	(ALSO ORDER (2) R104919, (2) 57M7258 AND 57M7289)
9	57M7328	CONNECTOR	1		X	(ALSO ORDER (2) R104846, (2) 57M7258 AND 57M7289)
10	RE71489	VALVE	4		X	(ALSO ORDER U41966, U11326, R62070, R106663, P42061 AND R150892)
11	RE160680	SWITCH	1		X	(B) (SUB FOR RE61344, RE62929, RE65350 OR RE66881) (ALSO ORDER 51M7041)
12	RE160680	SWITCH	1		X	(F) (SUB FOR RE61344, RE62929, RE65350 OR RE66881) (ALSO ORDER 51M7041) (NLR)
13	R44302	TIE BAND	1		X	
14	57M7256	CONNECTOR	1		X	(ALSO ORDER (2) R104919, (2) 57M7258 AND 57M7316)
15	57M7254	CONNECTOR	1		X	(ALSO ORDER (2) R104846, (2) 57M7258 AND 57M7289)
16	RE70062	SWITCH	1		X	(C) (ALSO ORDER 51M7041) (SUB FOR RE52868)
17	57M7328	CONNECTOR	1		X	(ALSO ORDER (2) R104846, (2) 57M7258 AND 57M7291)
18	RE46534	SWITCH	1		X	(D) (ALSO ORDER 51M7042)
19	RE60541	WIRING HARNESS	1	-XXXXXX	X	(E) (G) (SUB RE64628, (2) 57M7254, (2) 57M7289, (4) R104846 AND (4) 57M7258)
	RE64628	WIRING HARNESS	1	XXXXXX-XXXXXX	X	(E) (H) (SUB FOR RE60541)
	RE70449	WIRING HARNESS	1	XXXXXX-XXXXXX	X	(E) (I)
	RE71393	WIRING HARNESS	1	XXXXXX-XXXXXX	X	(E) (J)

(A)PARK BRAKE PRESSURE
PRESSION DU FREIN STATIONNEMENT
PARKBREMSENDRUCK
PRESSINE DEL FRENO DI STAZIONAMENTO
PRESION DE FRENO DE ESTACIONAMIENTO
PARKERINGSBROMSTRYCK

(B)CLUTCH ENGAGE
EMBRAYAGE
KUPPLUNG EINRUECKEN
INNESTO DELLA FRIZIONE
EMBRAGAR
KOPPLINGEN INKOPPLAD

(C)GROUND DRIVE PUMP
POMPE A ENGRENAGES D'ENTRAINEMENT PAR
BEWEGUNGSGETRIEBENE PUMPE
POMPA DI AZIONAMENTO
BOMBA DE PROPULSION
ROERELSEDRIVE PUMP

(D)CLUTCH DISENGAGE
DEBRAYAGE
KUPPLUNG AUSRUECKEN
DISINNESTO DELLA FRIZIONE
DESEMBRAGAR
KOPPLINGEN URKOPPLAD

(E)ENGINE AND CHASSIS
MOTEUR ET CHASSIS
MOTOR UND CHASSIS
MOTORE E TELAIO
MOTOR Y CHASIS
MOTOR OCH CHASSI

(F)TRANSMISSION OIL PRESSURE
PRESSION DE L'HUILE TRANSMISSION
GETRIEBEOELDRUCK
PRESSIONE DELL'OLIO DELLA TRASMISSIONE
PRESION DE ACEITE DE LA TRANSMISION
TRANSMISSIONSOJETRYCK

(G)(XXXXXX-)TSN 8100-002801;8200-002215;8300-003900;8400-002531

(H)(XXXXXX-XXXXXX)TSN 8100-002802-011000;8200-002216-011000;8300-003901-011000;8400-002532-011000

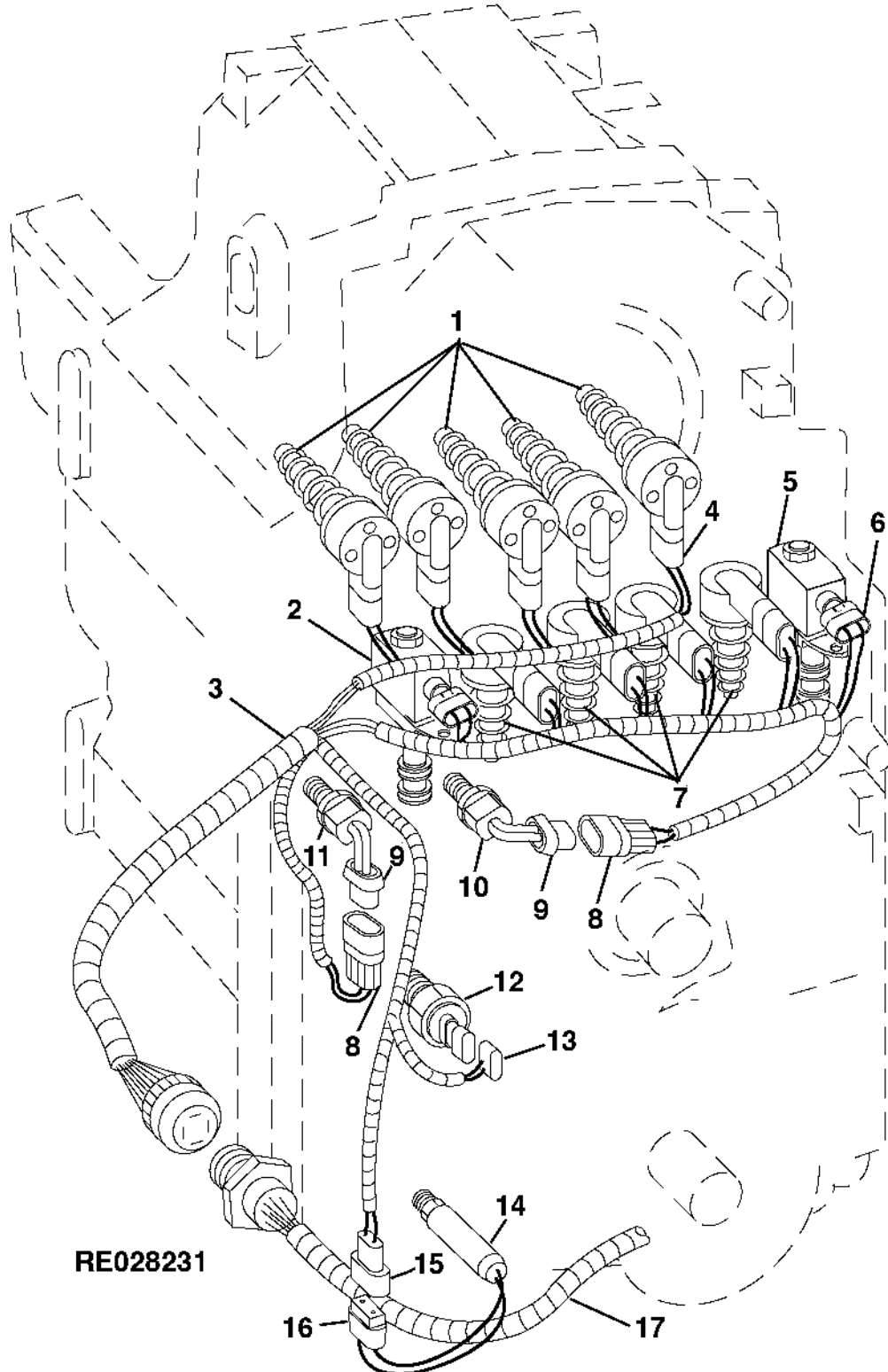
(I)(XXXXXX-XXXXXX)TSN 8100-011001-012002;8200-011001-011672;8300-011001-012165;8400-011001-012257

(J)(XXXXXX-XXXXXX)TSN 8100-012003-019999;8200-011673-019999;8300-012166-019999;8400-012258-019999

3D21

ELECTRICAL

WIRING HARNESS (TRANSMISSION)(TSN 020000-)
FAISCEAU DE CABLES(BOITE DE VITESSES)(TSN 020000-)
KABELBAUM(GETRIEBE)(TSN 020000-)
CABLAGGIO(TRASMISSIONE)(TSN 020000-)
GRUPO DE CABLES(TRANSMISION)(TSN 020000-)
KABELHAERVA(KRAFTOEVERFOERING)(TSN 020000-)
RE028231 -UN-03SEP97



RE028231

KEY	PART NO.	PART NAME	QTY	TRANSMISSION SERIAL NO.	A L L	REMARKS
1	RE155966	VALVE	5		X	(ALSO ORDER U41966, R106663, T143166, R62070, R27928 AND P42061) (SUB FOR RE153329 OR RE150945)
2	RE52319	SOLENOID VALVE	1		X	(D) (ALSO ORDER 51M7041)
3	RE158819	WIRING HARNESS	1	-XXXXXX	X	(F) (SUB FOR RE70992)
	RE158819	WIRING HARNESS	1	XXXXXX-	X	(G)
4	57M7850	CONNECTOR	1		X	(ALSO ORDER (2) 57M7829)
5	RE52319	SOLENOID VALVE	1		X	(ALSO ORDER 51M7041) MFWD
6	57M7850	CONNECTOR	1		X	(ALSO ORDER (2) 57M7829)
7	RE155967	VALVE	4		X	(ALSO ORDER U41966, R106663, U11326, R62070, R27928 AND R151701) (SUB FOR RE153330 OR RE150946)
8	57M7365	CONNECTOR	1		X	(ALSO ORDER (2) R104919, (2) 57M7258 AND 57M7289)
9	57M7328	CONNECTOR	1		X	(ALSO ORDER (2) R104846, (2) 57M7258 AND 57M7289)
10	RE160680	SWITCH	1		X	(B) (SUB FOR RE66881) (ALSO ORDER 51M7041)
11	RE160680	SWITCH	1		X	(D) (SUB FOR RE66881) (ALSO ORDER 51M7041)
12	RE46534	SWITCH	1		X	(C) (ALSO ORDER 51M7042)
13	57M7328	CONNECTOR	1		X	(ALSO ORDER (2) R104846, (2) 57M7258 AND 57M7291)
14	RE70062	SWITCH	1	-XXXXXX	X	(A) (H) (ALSO ORDER 51M7041)
	RE46684	PLUG	1	XXXXXX-	X	(I)
15	57M7256	CONNECTOR	1		X	(ALSO ORDER (2) R104919, (2) 57M7258 AND 57M7316)
16	57M7254	CONNECTOR	1		X	(ALSO ORDER (2) R104846, (2) 57M7258 AND 57M7289)
17	WIRING HARNESS	1		X	(E)

(A)GROUND DRIVE PUMP
 POMPE A ENGRENAGES D'ENTRAINEMENT PAR
 BEWEGUNGSGETRIEBENE PUMPE
 POMPA DI AZIONAMENTO
 BOMBA DE PROPULSION
 ROERELSEDRIVE PUMP

(B)CLUTCH ENGAGE
 EMBRAYAGE
 KUPPLUNG EINRUECKEN
 INNESTO DELLA FRIZIONE
 EMBRAGAR
 KOPPLINGEN INKOPPLAD

(C)CLUTCH DISENGAGE
 DEBRAYAGE
 KUPPLUNG AUSRUECKEN
 DISINNESTO DELLA FRIZIONE
 DESEMBRAGAR
 KOPPLINGEN URKOPPLAD

(D)PARK BRAKE PRESSURE
 PRESSION DU FRIEN DE STATIONNMENT
 PARKBREMSENDDRUCK
 PRESSINE DEL FRENPI DI STAZIONAMENTO
 PRESION DE FRENO DE ESTACIONMIENTO
 PARKERINGSBROMSTRYCK

(E)ENGINE AND CHASSIS
 MOTEUR ET CHASSIS
 MOTOR UND CHASSIS
 MOTORE E TELAIO
 MOTOR Y CHASIS
 MOTOR OCH CHASSI

(F)(-XXXXXX)8100-024829;8200-024824;8300-024819;8400-024850

(G)(XXXXXX-)8100-024830;8200-024825;8300-024820;8400-024851

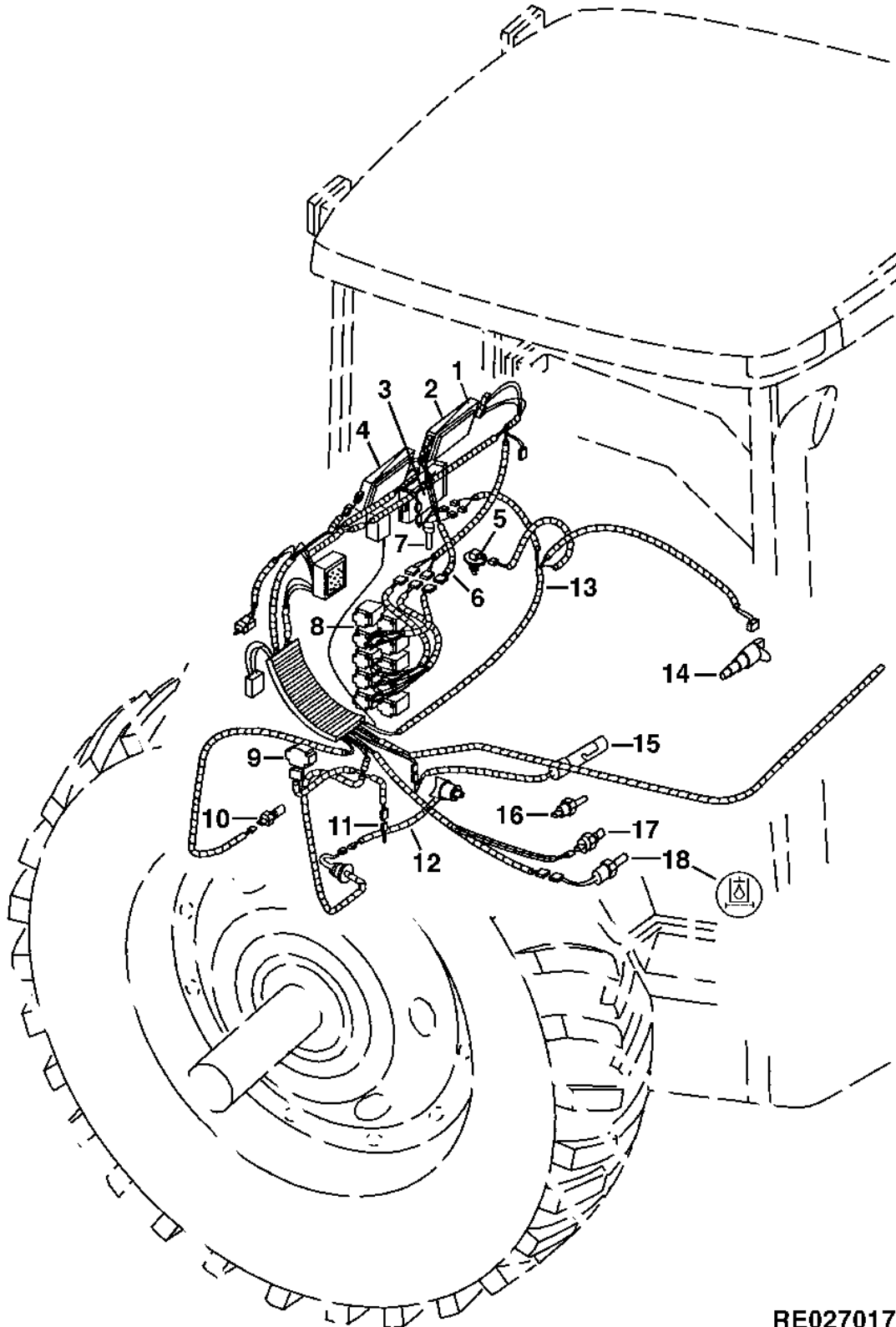
(H)(-XXXXXX)8100-021126;8200-020922;8300-021609;8400-021944

(I)(XXXXXX-)8100-021127;8200-020923;8300-021610;8400-021945

3D23

ELECTRICAL

WIRING HARNESS(ENGINE AND CHASSIS)(8100,8200,8300,8400 -009999)
FAISCEAU DE FILS(MOTEUR ET CHASSIS)(8100,8200,8300,8400 -009999)
KABELBAUM(MOTOR UND CHASSIS)(8100,8200,8300,8400 -009999)
CABLAGGIO(MOTORE E TELAIO)(8100,8200,8300,8400 -009999)
GRUPO DE CABLES(MOTOR Y CHASIS)(8100,8200,8300,8400 -009999)
KABELHAERVA(MOTOR OCH CHASSI)(8100,8200,8300,8400 -009999)
RE027017 -UN-17JUL96



RE027017

KEY	PART NO.	PART NAME	QTY	TRACTOR SERIAL NO.	A L L	REMARKS
1	HITCH AND SCV CONTROLLER	1		X	(HCU/SCU-1,2,3 SCV)
2	HITCH AND SCV CONTROLLER	1		X	(HCU/SCO-4 OR 5 SCV/ROW-TRAK)
3	ENGINE CONTROLLER	1			(ECU)
4	VEHICLE CONTROLLER	1		X	(CCU/PCU)
5	RE52319	SOLENOID VALVE	1		X	(A)
6	RE58782	WIRING HARNESS	1		X	(4,5 SCV)
7	RE56950	WHEEL SPEED SENSOR	1		X	(ALSO ORDER R375)
8	RE61119	SOLENOID	5		X	
9	RE56165	SENSOR	1		X	(SUB FOR RE24467)
10	RE71121	SENSOR	1		X	(B) (ALSO ORDER 57M7041) (SUB FOR RE43511)
11	RE61568	CONNECTOR	1		X	(NLR)
12	RE43738	HITCH DRAFT SENSOR	1		X	
	R44302	TIE BAND	1		X	
13	RE60541	WIRING HARNESS	1	-XXXXXX	X	(F) (SUB RE64628, (2) 57M7254, (2) 57M7289, (4) R104846 AND (4) 57M7258)
	RE64628	WIRING HARNESS	1	XXXXXX-	X	(G) (SUB FOR RE60541)
	R124804	CLAMP	1		X	
	R122472	CLIP	1		X	
14	RE71489	VALVE	1		X	(C) (ALSO ORDER U41966)
15	RE55516	SWITCH	1		X	(D) (ALSO ORDER 51M7049)
16	RE71121	SENSOR	1		X	(B) (ALSO ORDER 51M7041) (SUB FOR RE43511)
17	RE52722	SENSOR	1		X	(ALSO ORDER 51M7041)
18	RE43508	SENSOR	1		X	(E) (ALSO ORDER R27976 AND 51M7041)

(A)DIFFERENTIAL LOCK
 BLOCAGE DU DIFFERENTIEL
 DIFFERENTIALSPERRE
 BLOCCAGGIO DEL DIFFERENZIALE
 TRABA DEL DIFERENCIAL
 DIFFERENTIALSPAERR

(B)REAR PTO SPEED
 REGIME DE PDF ARRIERE
 DREHZAHN DER HINTEREN ZAPFWELLE
 VELOCITA'DELLA PTO POSTERIORE
 VELOCIDAD DE LA TRASERA
 VARVTAL,BAKRE KRAFTUTTAG

(C)REAR PTO
 PDF ARRIERE
 HINTERE ZAPFWELLE
 PTO POSTERIORE
 TDF TRASERA
 BAKRE KRAFTUTTAG

(D)CLEAN OIL LEVEL RESERVOIR
 RESERVOIR,NIVEAU D'HUILE PROPRE
 BEHAELTER,OELSTAND,SAUBER
 SERBATOIO,LIVELLO DELL'OLIO PULITO
 DEPOSITO,NIVEL DE ACEITE LIMPIO
 BEHALLARE,REN OLJENIVAA

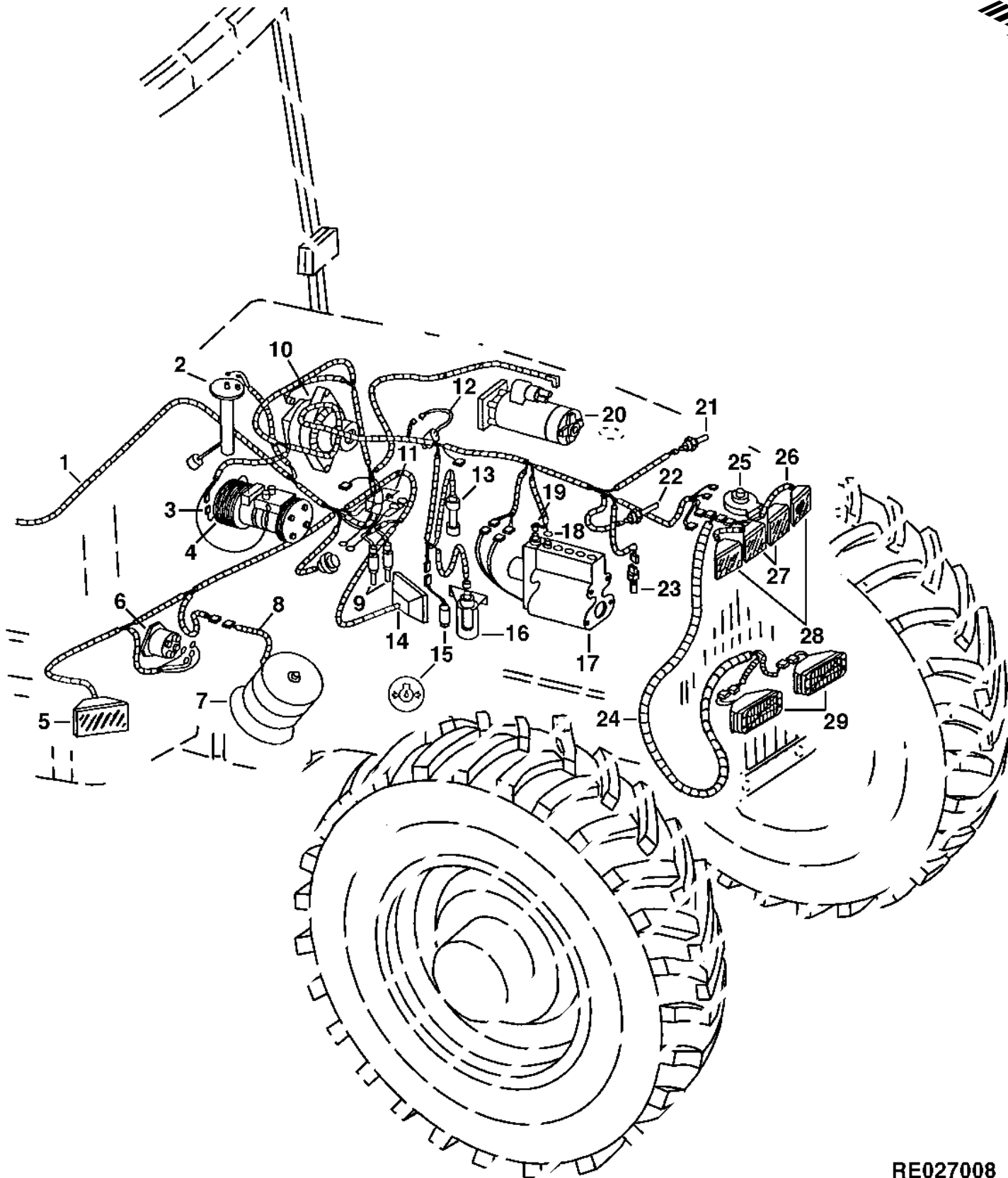
(E)HYDRAULIC OIL PRESSURE
 PRESSION D'HUILE HYDRAULIQUE
 HYDRAULIKOELDRUCK
 PRESSIONE DELL'OLIO IDRAULICO
 PRESION DE ACEITE HIDRAULICO
 HYDRAULOJETRYCK

(F)(-XXXXXX)8100-002801;8200-002215;8300-003900;8400-00253
 (G)(XXXXXX-)8100-002802;8200-002216;8300-003901;8400-002532

3E1

ELECTRICAL

WIRING HARNESS(ENGINE AND CHASSIS)(8100,8200,8300,8400 -009999)
FAISCEAU DE FILS(MOTEUR ET CHASSIS)(8100,8200,8300,8400 -009999)
KABELBAUM(MOTOR UND CHASSIS)(8100,8200,8300,8400 -009999)
CABLAGGIO(MOTORE E TELAIO)(8100,8200,8300,8400 -009999)
GRUPO DE CABLES(MOTOR Y CHASIS)(8100,8200,8300,8400 -009999)
KABELHAERVA(MOTOR OCH CHASSI)(8100,8200,8300,8400 -009999)
RE027008 -UN-17JUL96



RE027008

KEY	PART NO.	PART NAME	QTY	TRACTOR SERIAL NO.	A L L	REMARKS
1	RE60541	WIRING HARNESS	1	-XXXXXX	X	(J) (SUB RE64628, (2) 57M7254, (2) 57M7289, (4) R104846 AND (4) 57M7258)
	RE64628	WIRING HARNESS	1	XXXXXX-	X	(K) (SUB FOR RE60541)
2	RE69669	FUEL SENDER	1		X	(SUB FOR RE51519)
3	RE52510	STATOR	1		X	
4	TY6764	COMPRESSOR	1		X	(A)
5	RE61164	FLOODLAMP	1	-XXXXXX	X	(J) R.H.
	RE150428	FLOODLAMP	1	XXXXXX-	X	(K) (SUB FOR RE63957, RE66007 OR RE71429) R.H.
6	RE38391	STARTER RELAY	1		X	(MARKED AT68973)
7	RE43025	RADAR SENSOR	1		X	(B) (SUB RE153333)
	RE58592	RADAR SENSOR	1		X	(C) (SUB RE153334)
8	RE52645	WIRING HARNESS	1		X	(USE WITH RE43025, RE58592 OR RE66845)
9	AL79013	PUMP	2		X	
10	RE46608	ALTERNATOR	1		X	
	TY6762	ALTERNATOR	1		X	(A)
11	RE48875	JUNCTION BLOCK	1		X	
12	RE12176	AIR FILTER RSTR SENSOR	1		X	(ALSO ORDER R77673)
13	RE63289	SWITCH	1		X	(E) (SUB FOR RE52866)
14	RE61165	FLOODLAMP	1	-XXXXXX	X	(J) L.H.
	RE150426	FLOODLAMP	1	XXXXXX-	X	(K) (SUB FOR RE58598, RE70044 OR RE71427) L.H.
15	RE63289	ENGINE OIL PRESS. SENSOR	1		X	(E) (SUB FOR RE52866)
	RE56009	ENGINE OIL PRESS. SENSOR	1		X	(E) (F)
16	RE48310	STARTING AID SOLENOID	1		X	
17	FUEL INJECTION PUMP	1		X	
18	R89014	SOLENOID	1		X	(G) (ALSO ORDER R99047)
19	RE28217	FUEL TEMPERATURE SENSOR	1		X	(ALSO ORDER R98500)
20	TY6781	STARTER MOTOR	1		X	(A) (SUB FOR RE56053 OR RE65176) (8100,8200,8300)
	RE65103	STARTER MOTOR	1		X	(SUB FOR RE61087) (SUB RE70957) (MARKED RE65100) (8400)
21	RE38310	SENSOR	1		X	(H) (ALSO ORDER R77673)
22	RE151433	WATER TEMPERATURE SENSOR	1		X	(ALSO ORDER R77673) (SUB FOR RE48073)
23	RE71121	SENSOR	1		X	(I) (ALSO ORDER R54856) (SUB FOR RE43511)
24	RE60633	WIRING HARNESS	1		X	(C) (D) (ALSO ORDER R72853)
25	R64700	HIGH NOTE HORN	1		X	(SUB RE159897, 14M7273 AND (2) 24M7036)
26	RE60632	WIRING HARNESS	1		X	
27	RE150422	HEADLIGHT	2		X	(SUB FOR RE61243 OR RE71422)
28	RE150423	FLOODLAMP	2		X	(SUB FOR RE61244 OR RE71423)
29	RE71268	HEADLIGHT	2		X	(C) (SUB FOR RE61786) (R.H.TRAFFIC)
	AL56092	HOUSING	2		X	(D) (L.H. TRAFFIC)

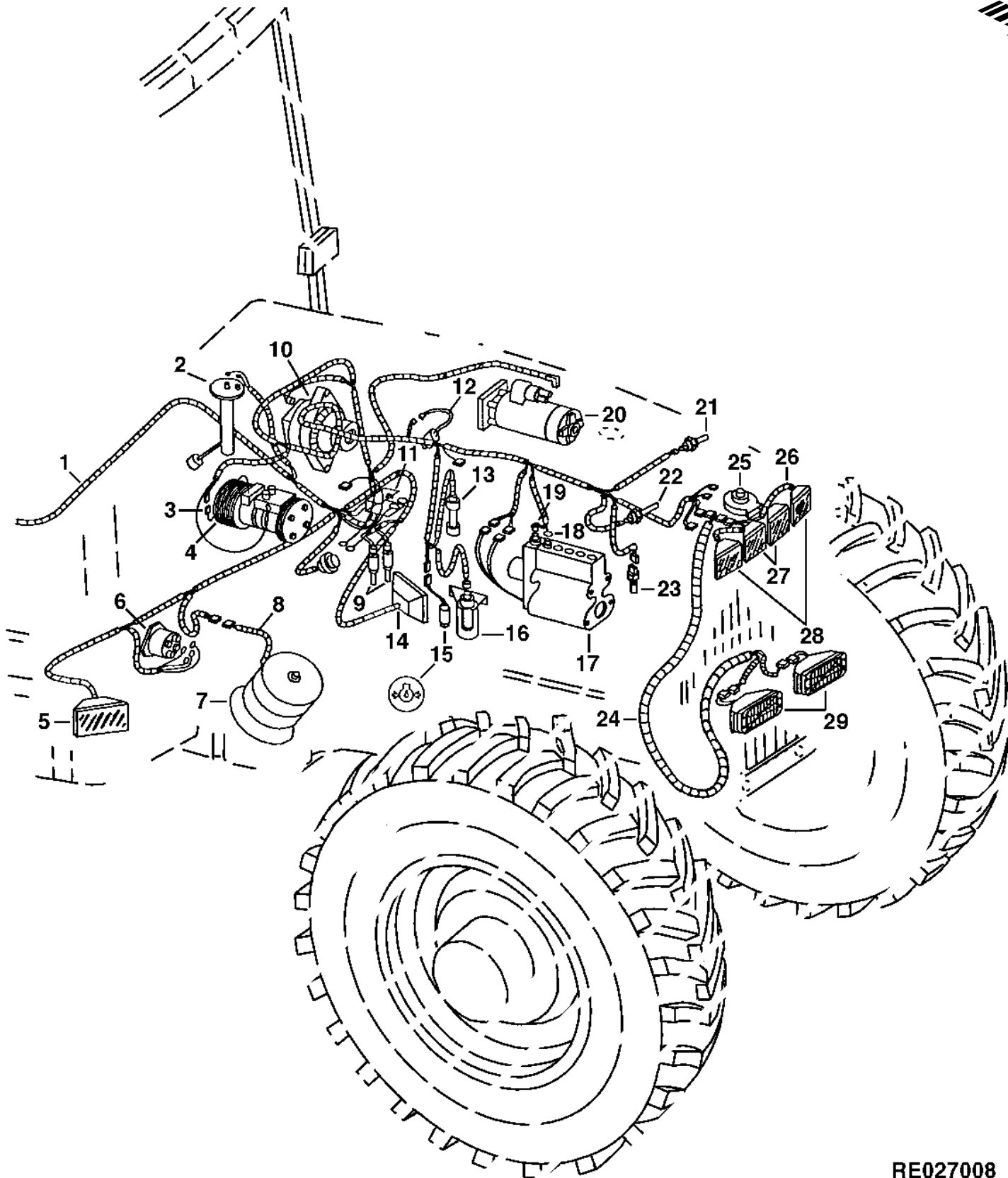
(A)REMANUFACTURED ECHANGE STANDARD GENERALUEBERHOLT RIGATTO REFABRICADO RENOVERAD	(B)NORTH AMERICAN VERSION VERSION NORD AMERICAINE NORDAMERIKANISCHE VERSIONE NORDAMERICANA VERSION NORTEAMERICANA NORDAMERIKANSK VERSION	(C)EUROPEAN VERSION VERSIONE EUROPEENNE EUROPAEISCHE AUSFUEHRUNG VERSIONE EUROPEA VERSION EUROPEA EUROPEISK VERSION
(D)UNITED KINGDOM ROYAUME-UNI ENGLAND REGNO UNITO REINO UNIDO ENGLAND	(E)OIL PRESSURE TRANSDUCER TRANSDUCTEUR,PRESSION OELDRUCK-UMFORMER TRASDUTTORE DELLA PRESSIONE TRANSDUCTOR DE PRESION DE OLJETRYCKSOMFORMARE	(F)DELUXE CAB CABINE DELUXE LUXUSKABINE CABINA DELUXE CABINA DE LUJO LYXHTTT
(G)SHUT-OFF ROBINET-D'ARRET ABSCHALTUNG RUBINETTO D'ARRESTO GRIFO DE CIERRE AVSTAENGNING	(H)AIR INTAKE TEMPERATURE TEMPERATURE,ADMISSION D'AIR LUIFTANSAUGTEMPERTUR TEMPERTURA D'INGRESSO TEMPERTURA DE LA ADMISION LUFTINTAGSTEMPERATUR	(I)ENGINE SPEED REGIME MOTEUR MOTORDREHZAHL REGIME DEL MOTORE VELOCIDAD DEL MOTOR MOTORVARVTAL

(J)(-XXXXXX)8100-002801;8200-002215;8300-003900;8400-002531
 (K)(XXXXXX-)8100-002802;8200-002216;8300-003901;8400-002532

3E3

ELECTRICAL

WIRING HARNESS(ENGINE AND CHASSIS)(8100,8200,8300,8400 -009999)
FAISCEAU DE FILS(MOTEUR ET CHASSIS)(8100,8200,8300,8400 -009999)
KABELBAUM(MOTOR UND CHASSIS)(8100,8200,8300,8400 -009999)
CABLAGGIO(MOTORE E TELAIO)(8100,8200,8300,8400 -009999)
GRUPO DE CABLES(MOTOR Y CHASIS)(8100,8200,8300,8400 -009999)
KABELHAERVA(MOTOR OCH CHASSI)(8100,8200,8300,8400 -009999)
RE027008 -UN-17JUL96



RE027008

3E4

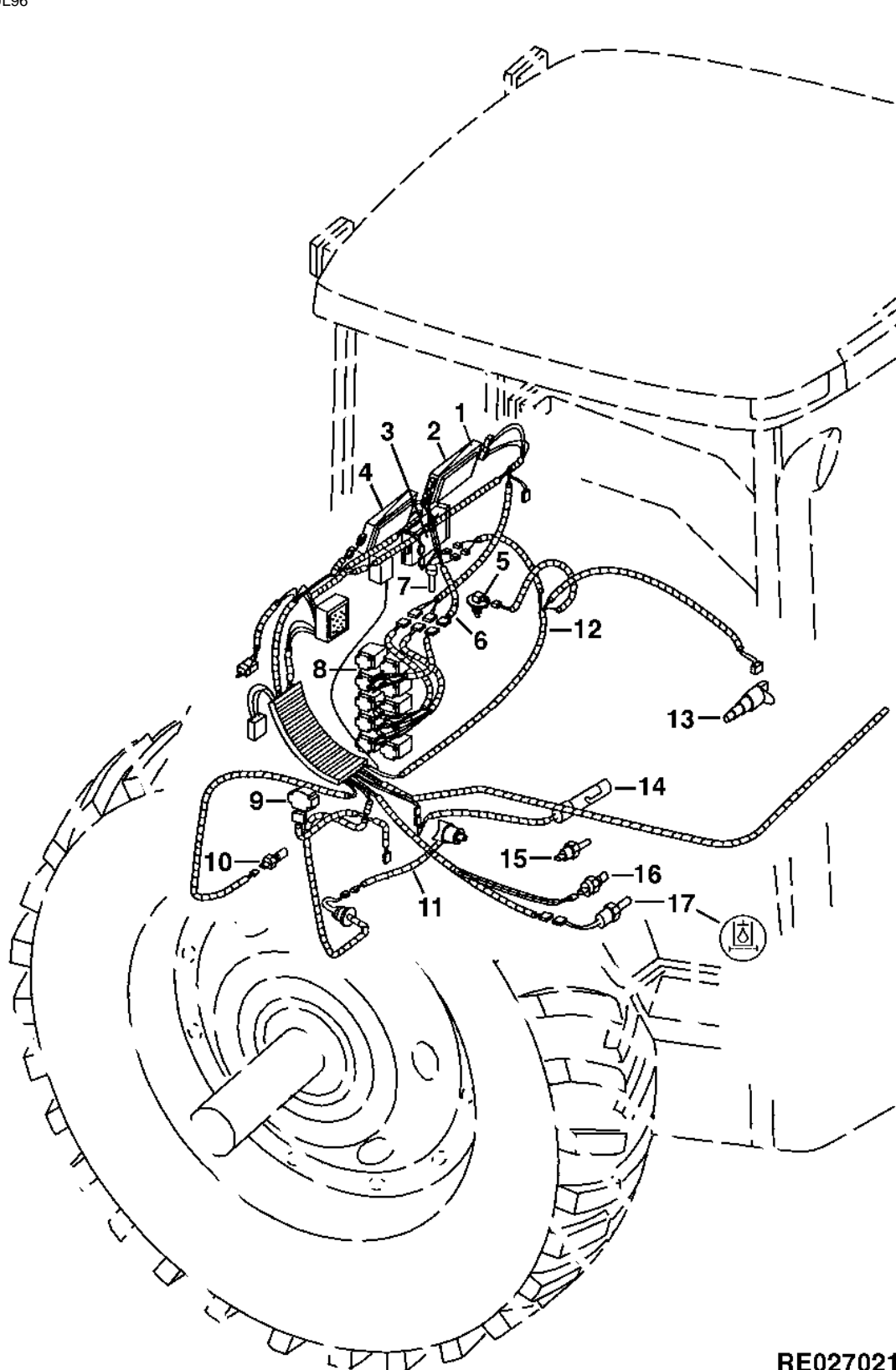
ELECTRICAL

KEY	PART NO.	PART NAME	QTY	TRACTOR SERIAL NO.	A L L	REMARKS
21	RE38310	SENSOR	1		X	(H) (ALSO ORDER R77673)
22	RE151433	WATER TEMPERATURE SENSOR	1		X	(ALSO ORDER R77673) (SUB FOR RE48073)
23	RE71121	SENSOR	1		X	(I) (ALSO ORDER R54856) (SUB FOR RE43511)
24	RE60633	WIRING HARNESS	1		X	(C) (D) (ALSO ORDER R72853)
25	R64700	HIGH NOTE HORN	1		X	
26	RE60632	WIRING HARNESS	1		X	
27	RE150422	HEADLIGHT	2		X	(SUB FOR RE61243 OR RE71422)
28	RE150423	FLOODLAMP	2		X	(SUB FOR RE61244 OR RE71423)
29	RE71268	HEADLIGHT	2		X	(C) (SUB FOR RE61786) (R.H.TRAFFIC)
	AL56092	HOUSING	2		X	(D) (L.H. TRAFFIC)
(A)REMANUFACTURED		(B)NORTH AMERICAN VERSION		(C)EUROPEAN VERSION		
ECHANGE STANDARD		VERSION NORD AMERICAINE		VERSIONE EUROPEENNE		
GENERALUEBERHOLT		NORDAMERIKANISCHE		EUROPAEISCHE AUSFUEHRUNG		
RIGATTO		VERSIONE NORDAMERICANA		VERSIONE EUROPEA		
REFABRICADO		VERSION NORTEAMERICANA		VERSION EUROPEA		
RENOVERAD		NORDAMERIKANSK VERSION		EUROPEISK VERSION		
(D)UNITED KINGDOM		(E)OIL PRESSURE TRANSDUCER		(F)DELUXE CAB		
ROYAUME-UNI		TRANSDUCTEUR,PRESSION		CABINE DELUXE		
ENGLAND		OELDRUCK-UMFORMER		LUXUSKABINE		
REGNO UNITO		TRASDUTTORE DELLA PRESSIONE		CABINA DELUXE		
REINO UNIDO		TRANSDUCTOR DE PRESION DE		CABINA DE LUJO		
ENGLAND		OLJETRYCKSOMFORMARE		LYXHOTT		
(G)SHUT-OFF		(H)AIR INTAKE TEMPERATURE		(I)ENGINE SPEED		
ROBINET-D'ARRET		TEMPERATURE,ADMISSION D'AIR		REGIME MOTEUR		
ABSCHALTUNG		LUIFTANSAUGTEMPERTUR		MOTORDREHZAHL		
RUBINETTO D'ARRESTO		TEMPERTURA D'INGRESSO		REGIME DEL MOTORE		
GRIFO DE CIERRE		TEMPERTURA DE LA ADMISION		VELOCIDAD DEL MOTOR		
AVSTAENGNING		LUFTINTAGSTEMPERATUR		MOTORVARVTAL		
(J)(-XXXXXX)8100-002801;8200-002215;8300-003900;8400-002531						
(K)(XXXXXX-)8100-002802;8200-002216;8300-003901;8400-002532						

3E5

ELECTRICAL

WIRING HARNESS(ENGINE AND CHASSIS)(8100,8200,8300,8400 010000-)
FAISCEAU DE FILS(MOTEUR ET CHASSIS)(8100,8200,8300,8400 010000-)
KABELBAUM(MOTOR UND CHASSIS)(8100,8200,8300,8400 010000-)
CABLAGGIO(MOTORE E TELAI)(8100,8200,8300,8400 010000-)
GRUPO DE CABLES(MOTOR Y CHASIS)(8100,8200,8300,8400 010000-)
KABELHAERVA(MOTOR OCH CHASSI)(8100,8200,8300,8400 010000-)
RE027021 -UN-17JUL96



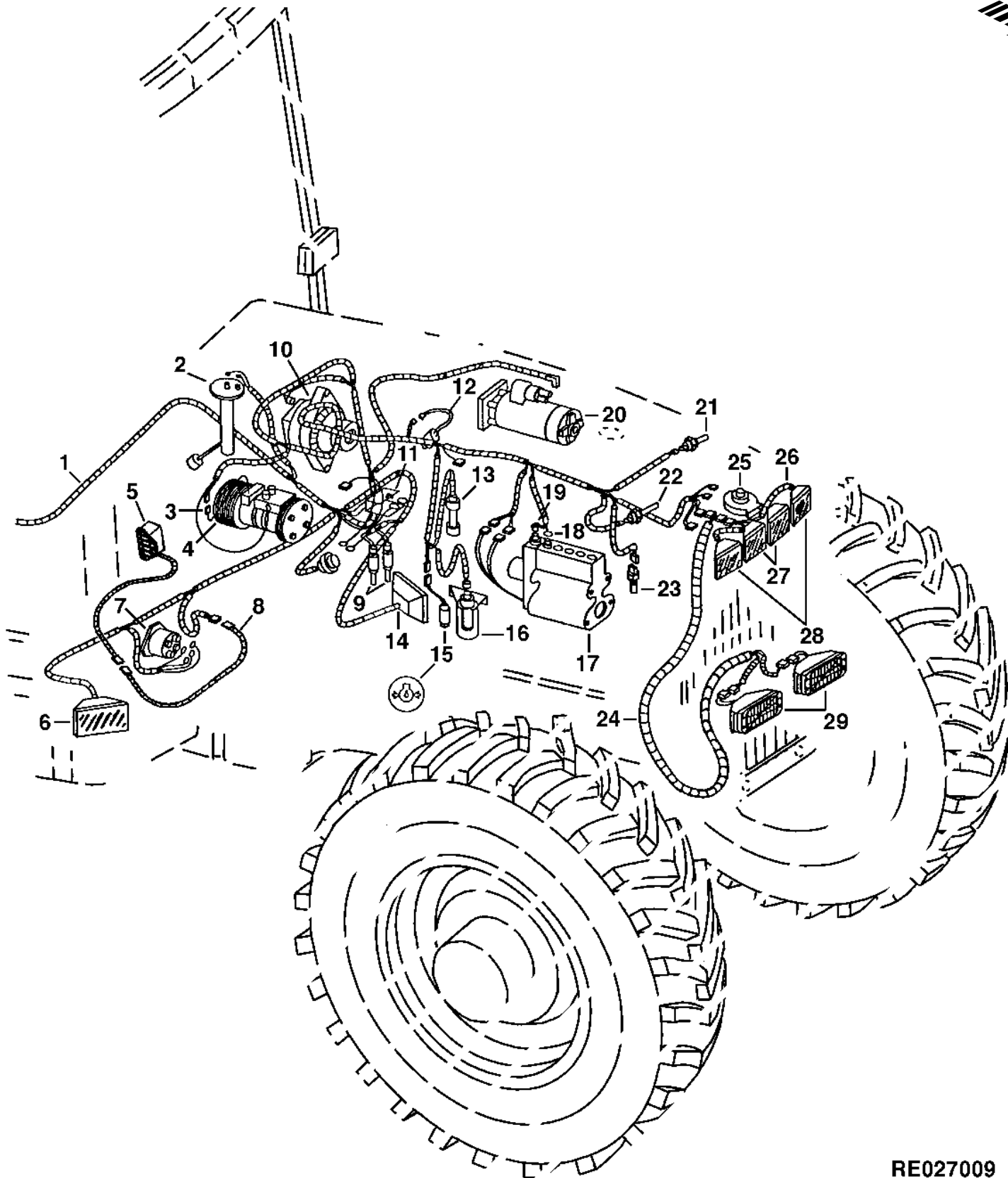
RE027021

KEY	PART NO.	PART NAME	QTY	TRACTOR SERIAL NO.	A L L	REMARKS
1	HITCH AND SCV CONTROLLER	1		X	(HCU/SCU-1,2,3 SCV)
2	HITCH AND SCV CONTROLLER	1		X	(HCU/SCO-4 OR 5 SCV/ROW-TRAK)
3	ENGINE CONTROLLER	1		X	(ECU)
4	VEHICLE CONTROLLER	1		X	(CCU/PCU)
5	RE58782	WIRING HARNESS	1		X	(4,5 SCV)
6	RE52319	SOLENOID VALVE	1		X	(A)
7	RE56950	WHEEL SPEED SENSOR	1		X	(ALSO ORDER R375)
8	RE61119	SOLENOID	5		X	
9	RE56165	SENSOR	1		X	
10	RE71121	SENSOR	1		X	(B) (ALSO ORDER 57M7041) (SUB FOR RE43511)
11	RE43738	HITCH DRAFT SENSOR	1		X	
	R44302	TIE BAND	1		X	
12	RE64628	WIRING HARNESS	1	-011000	X	
	RE70449	WIRING HARNESS	1	XXXXXX-XXXXXX	X	(F) (SUB RE71393)
	RE71393	WIRING HARNESS	1	XXXXXX-XXXXXX	X	(G)
	RE70991	WIRING HARNESS	1	XXXXXX-XXXXXX	X	(H) (SUB RE158817)
	RE158817	WIRING HARNESS	1	XXXXXX-	X	(I)
	R122472	CLIP	1		X	
13	RE71489	VALVE	1		X	(C) (ALSO ORDER U41966)
14	RE55516	SWITCH	1		X	(D) (ALSO ORDER 51M7049)
15	RE71121	SENSOR	1		X	(B) (ALSO ORDER 51M7041) (SUB FOR RE43511)
16	RE52722	SENSOR	1		X	(ALSO ORDER 51M7041)
17	RE43508	SENSOR	1		X	(E) (ALSO ORDER R27976 AND 51M7041)
(A)DIFFERENTIAL LOCK		(B)REAR PTO SPEED				
BLOCAGE DU DIFFERENTIEL		REGIME DE PDF ARRIERE				
DIFFERENTIALSPERRE		DREHZAHL DER HINTEREN ZAPFWELLE				
BLOCCAGGIO DEL DIFFERENZIALE		VELOCITA'DELLA PTO POSTERIORE				
TRABA DEL DIFERENCIAL		VELOCIDAD DE LA TRASERA				
DIFFERENTIALSPAERR		VARVTAL,BAKRE KRAFTUTTAG				
(C)REAR PTO		(D)CLEAN OIL LEVEL RESERVOIR				
PDF ARRIERE		RESERVOIR,NIVEAU D'HUILE PROPRE				
HINTERE ZAPFWELLE		BEHAELTER,OELSTAND,SAUBER				
PTO POSTERIORE		SERBATOIO,LIVELLO DELL'OLIO PULITO				
TDF TRASERA		DEPOSITO,NIVEL DE ACEITE LIMPIO				
BAKRE KRAFTUTTAG		BEHALLARE,REN OLJENIVAA				
(E)HYDRAULIC OIL PRESSURE						
PRESSION D'HUILE HYDRAULIQUE						
HYDRAULIKOELDRUCK						
PRESSIONE DELL'OLIO IDRAULICO						
PRESION DE ACCITE HIDRAULICO						
HYDRAULOLJETRYCK						
(F)(XXXXXX-XXXXXX)8100-011001-012002;8200-011001-011672;8300-011001-012165-;8400-011001-012257						
(G)(XXXXXX-XXXXXX)8100-012003-019999;8200-011673-019999;8300-012166-019999-;8400-012258-019999						
(H)(XXXXXX-XXXXXX)8100-020000-024829;8200-020000-024824;8300-020000-024819-;8400-020000-024850						
(I)(XXXXXX-)8100-024830;8200-024825;8300-024820;8400-024851						

3E7

ELECTRICAL

WIRING HARNESS(ENGINE AND CHASSIS)(8100,8200,8300,8400 010000-)
FAISCEAU DE FILS(MOTEUR ET CHASSIS)(8100,8200,8300,8400 010000-)
KABELBAUM(MOTOR UND CHASSIS)(8100,8200,8300,8400 010000-)
CABLAGGIO(MOTORE E TELAIO)(8100,8200,8300,8400 010000-)
GRUPO DE CABLES(MOTOR Y CHASIS)(8100,8200,8300,8400 010000-)
KABELHAERVA(MOTOR OCH CHASSI)(8100,8200,8300,8400 010000-)
RE027009 -UN-17JUL96



RE027009

KEY	PART NO.	PART NAME	QTY	TRACTOR SERIAL NO.	A L L	REMARKS
1	RE64628	WIRING HARNESS	1	-011000	X	
	RE70449	WIRING HARNESS	1	XXXXXX-XXXXXX	X	(J)
	RE71393	WIRING HARNESS	1	XXXXXX-XXXXXX	X	(K)
	RE70991	WIRING HARNESS	1	XXXXXX-XXXXXX	X	(L)
	RE158817	WIRING HARNESS	1	XXXXXX-	X	(M)
2	RE69669	FUEL SENDER	1		X	(SUB FOR RE51519)
3	RE52510	STATOR	1		X	
4	TY6764	COMPRESSOR	1		X	(A)
5	RE152877	RADAR SENSOR	1		X	(B) (SUB FOR RE52719)
	RE152880	RADAR SENSOR	1		X	(C) (SUB FOR RE54017)
6	RE150428	FLOODLAMP	1		X	R.H. (SUB FOR RE66007 OR RE71429)
7	RE38391	STARTER RELAY	1		X	(MARKED AT68973)
8	RE52645	WIRING HARNESS	1		X	
9	AL79013	PUMP	2		X	
10	RE46608	ALTERNATOR	1		X	
	TY6762	ALTERNATOR	1		X	(A)
11	RE48875	JUNCTION BLOCK	1		X	
12	RE12176	AIR FILTER RSTR SENSOR	1		X	(ALSO ORDER R77673)
13	RE63289	SWITCH	1		X	(E)
14	RE150426	FLOODLAMP	1		X	(SUB FOR RE58593, RE70044 OR RE71427) L.H.
15	RE63289	ENGINE OIL PRESS. SENSOR	1		X	(E) (SUB FOR RE52866)
	RE56009	ENGINE OIL PRESS. SENSOR	1		X	(E) (F)
16	RE48310	STARTING AID SOLENOID	1		X	
17	FUEL INJECTION PUMP	1		X	
18	R89014	SOLENOID	1		X	(G) (ALSO ORDER R99047)
19	RE28217	FUEL TEMPERATURE SENSOR	1		X	(ALSO ORDER R98500)
20	RE65103	STARTER MOTOR	1		X	(MARKED RE65100) (SUB RE70957)
	RE70957	STARTER MOTOR KIT	1		X	(MARKED RE69704) (SUB FOR RE65103)
21	RE38310	SENSOR	1		X	(H) (ALSO ORDER R77673)
22	RE151433	WATER TEMPERATURE SENSOR	1		X	(ALSO ORDER R77673) (SUB FOR RE48073)
23	RE71121	SENSOR	1		X	(I) (ALSO ORDER R54856) (SUB FOR RE43511)
24	RE60633	WIRING HARNESS	1		X	(C) (D) (ALSO ORDER R72853)
25	R64700	HORN	1	-026686	X	(SUB RE159897, 14M7273 AND (2) 24M7036)
	R159897	HORN	1	026687-	X	
26	RE60632	WIRING HARNESS	1		X	
27	RE150422	HEADLIGHT	2		X	(SUB FOR RE61243 OR RE71422)
28	RE150423	FLOODLAMP	2		X	(SUB FOR RE61244 OR RE71423)
29	RE71268	HEADLIGHT	2		X	(C) (SUB FOR RE61786) (R.H. TRAFFIC)
	AL56092	HOUSING	2		X	(D) (L.H. TRAFFIC)

(A)REMANUFACTURED
ECHANGE STANDARD
GENERALUEBERHOLT
RIGATTO
REFABRICADO
RENOVERAD

(B)NORTH AMERICAN VERSION
VERSION NORD AMERICAINE
NORDAMERIKANISCHE
VERSIONE NORDAMERICANA
VERSION NORTEAMERICANA
NORDAMERIKANSK VERSION

(C)EUROPEAN VERSION
VERSIONE EUROPEENNE
EUROPAEISCHE AUSFUHRUNG
VERSIONE EUROPEA
VERSION EUROPEA
EUROPEISK VERSION

(D)UNITED KINGDOM
ROYAUME-UNI
ENGLAND
REGNO UNITO
REINO UNIDO
ENGLAND

(E)OIL PRESSURE TRANSDUCER
TRANSDUCTEUR,PRESSION
OELDRUCK-UMFORMER
TRASDUTTORE DELLA PRESSIONE
TRANSDUCTOR DE PRESION DE
OLJETRYCKSOMFORMARE

(F)DELUXE CAB
CABINE DELUXE
LUXUSKABINE
CABINA DELUXE
CABINA DE LUJO
LYXHYYT

(G)SHUT-OFF
ROBINET D'ARRET
ABSCHALTUNG
RUBINETTO D'ARRESTO
GRIFO DE CIERRE
AVSTAENGNING

(H)AIR INTAKE TEMPERATURE
TEMPERATURE,ADMISSION D'AIR
LUIFTANSAUGTEMPERTUR
TEMPERTURA D'INGRESSO
TEMPERTURA DE LA ADMISION
LUFTINTAGSTEMPERATUR

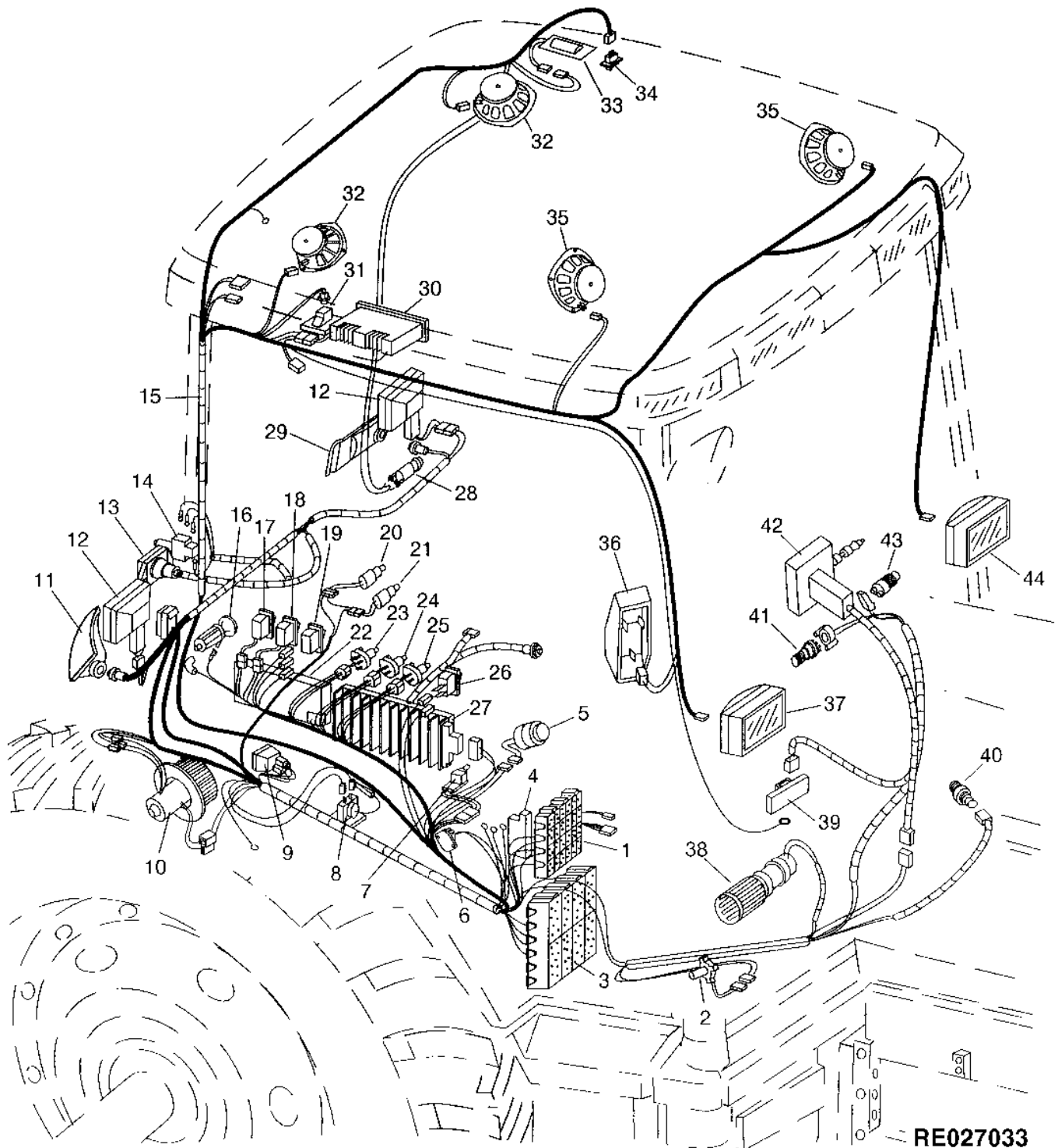
(I)ENGINE SPEED
REGIME MOTEUR
MOTORDREHZAHL
REGIME DEL MOTORE
VELOCIDAD DEL MOTOR
MOTORVARVTAL

(J)(XXXXXX-XXXXXX)8100-011001-012002;8200-011001-011672;8300-011001-012165;8400-011001-012257
(K)(XXXXXX-XXXXXX)8100-012003-019999;8200-011673-019999;8300-012166-019999;8400-012258-019999
(L)(XXXXXX-XXXXXX)8100-020000-024829;8200-020000-024824;8300-020000-024819;8400-020000-024850
(M)(XXXXXX-)8100-024830;8200-024825;8300-024820;8400-024851

3E9

ELECTRICAL

WIRING HARNESS(CAB)(NORTH AMERICAN VERSION)(8100,8200,8300,8400 -009999)
FAISCEAU DE CABLES(CABINE)(VERSION NORD AMERICAINE)(8100,8200,8300,8400 -009999)
KABELBAUM(FAHRERKABINE)(NORDAMERIKANISCHE AUSFUEHRUNG)(8100,8200,8300,8400 -009999)
CABLAGGIO(CABINA)(VERSIONE NORDAMERICANA)(8100,8200,8300,8400 -009999)
GRUPO DE CABLES(CABINA)(VERSION NORTEAMERICANA)(8100,8200,8300,8400 -009999)
KABELHAERVA(HYTT)(NORDAMERIKANSK VERSION)(8100,8200,8300,8400 -009999)
RE027033 -UN-17JUL96



RE027033

KEY	PART NO.	PART NAME	QTY	TRACTOR SERIAL NO.	A L L	REMARKS
1	RE43737	TERMINAL BOARD	4		X	
2	RE155987	ACCELERATOR	1		X	(SUB FOR RE61183)
3	RE49724	TERMINAL BOARD	6		X	
4	RE48875	JUNCTION BLOCK	1		X	
5	RE49727	HORN	1		X	
6	R111931	JUNCTION BLOCK	1		X	
7	RE62163	POTENTIOMETER	1		X	
8	AH144020	THERMOSTAT	1		X	
9	RE49636	RESISTOR	1		X	
10	RE67645	MOTOR	1		X	(SUB FOR RE62653)
11	RE48954	LENS	1		X	R.H.
12	RE48989	FLOODLAMP	2	-XXXXXX	X	(C)
	RE151346	FLOODLAMP	2	XXXXXX-	X	(D) (SUB FOR RE51240, RE71421 OR RE150421)
13	AR75695	SOCKET OUTLET	1		X	
14	RE32042	HITCH SWITCH	1	-024819	X	(SUB RE161844)
	RE161844	KIT	1	024820-	X	(SUB FOR RE32042)
15	RE60537	CAB WIRING HARNESS	1	-XXXXXX	X	(C) (ALSO ORDER R76477) (SUB RE64626, (2) 57M7254, (2) 57M7289, (4) R104846 AND (4) 57M7258)
	RE64626	CAB WIRING HARNESS	1	XXXXXX-	X	
16	AR60937	LIGHTER	1		X	
17	RE55476	WIPER/WASHER SWITCH	1		X	
18	RE55477	ROCKER SWITCH	1		X	(MFWD)
19	RE55036	HAZARD LIGHTS SWITCH	1		X	
20	RE60888	AC HIGH PRESSURE SWITCH	1		X	
21	RE155938	AC LOW PRESSURE SWITCH	1		X	(SUB FOR RE60887)
22	RE64583	DIGITAL DISPLAY	1		X	(SUB FOR RE60928 AND RE63440) (SUP)
23	AL36529	SWITCH	1		X	
24	RE46717	WIPER/WASHER SWITCH	1		X	
25	RE43497	BLOWER SWITCH	1		X	
26	RE55478	AC COMPRESSOR SWITCH	1		X	
27	RE62649	VEHICLE MONITOR	1		X	(SUB FOR RE60476) W/RE61185(ICU)
	RE62650	VEHICLE MONITOR	1		X	(SUB FOR RE60927) W/O RE61188(ICU)
	RE62651	VEHICLE MONITOR	1		X	(SUB FOR RE60477) W/RE61188(ICU)
28	RE51234	DOOR LIGHT SWITCH	1		X	
29	RE48955	LENS	1		X	L.H.
30	RE64377	RADIO	1		X	(FI)
	RE64376	RADIO	1		X	(FI)
31	RE57892	LAMP	1		X	
32	RE61546	SPEAKER	2		X	(REAR)(6")(4 OHM)
33	RE44590	HOUSING	1		X	
34	RE48838	ROCKER SWITCH	1		X	
35	RE61545	SPEAKER	2		X	(FRONT)(6")(4 OHM)
36	RE63458	MODULE	1		X	(SUB FOR RE60929)
37	RE48986	FLOODLAMP	1	-XXXXXX	X	(C) R.H.
	RE150425	FLOODLAMP	1	XXXXXX-	X	(D) (SUB FOR RE51239 OR RE71420)
38	RE61419	BLOWER	1		X	
39	RE66277	BRAKE LIGHT SWITCH	1		X	(SUB FOR RE55468 OR RE63211)
40	RE46534	SWITCH	1		X	(A)
41	RE61717	KEY SWITCH	1		X	
42	RE63512	MODULE	1		X	(SUB FOR RE60588)
43	R39554	SWITCH	1		X	(B)
44	RE48985	FLOODLAMP	1	-XXXXXX	X	(C) L.H.
	RE150420	FLOODLAMP	1	XXXXXX-	X	(D) (SUB FOR RE51239 OR RE71420)

(A)DIFFERENTIAL LOCK
 BLOCCAGE DE DIFFERENTIEL
 DIFFERENTIALSPERRE
 BLOCCAGGIO DIFFERENZIALE
 TRABA DEL DIFERENCIAL
 DIFFERENTIALSPAERR

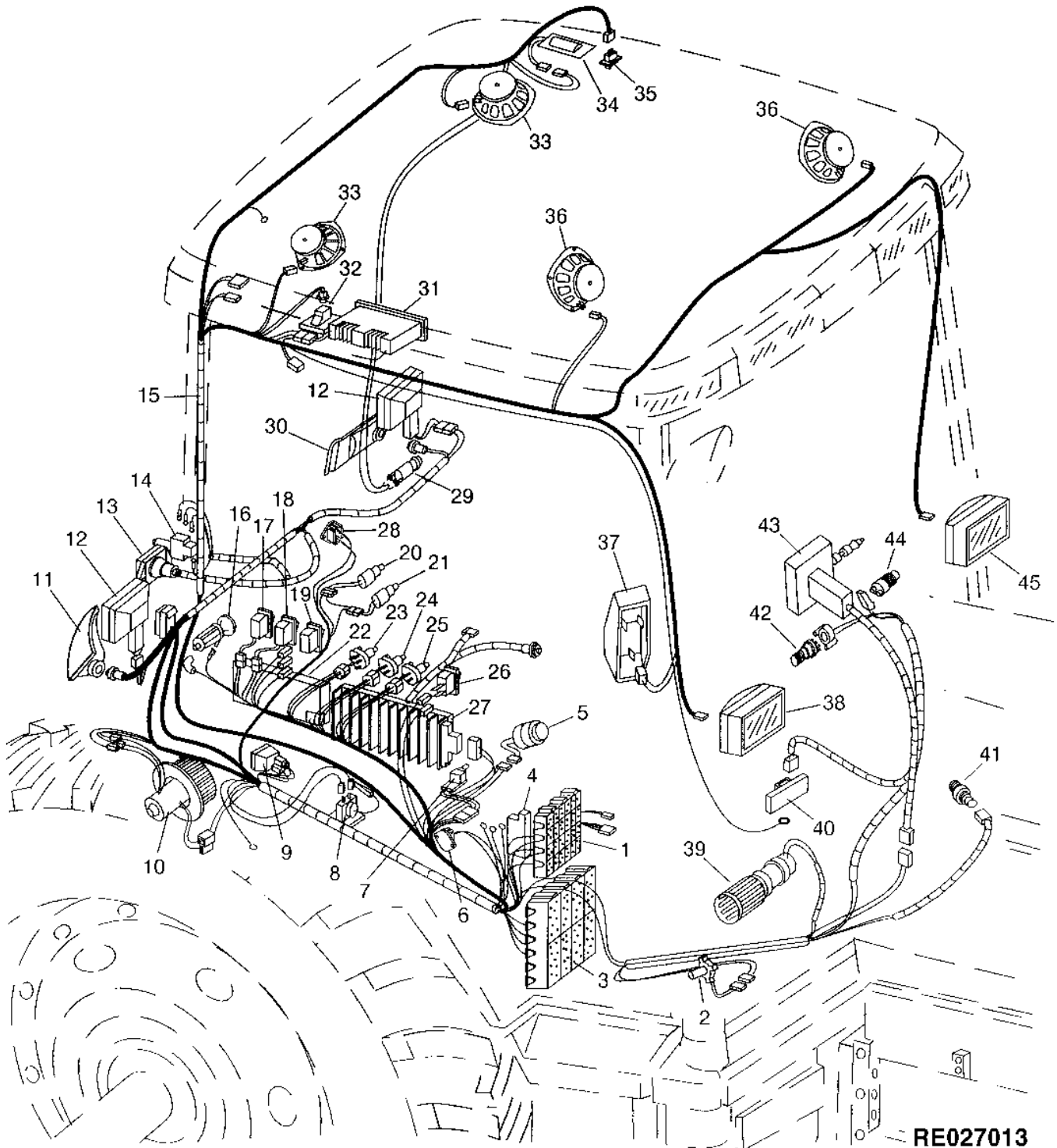
(B)ETHER AID
 AIDE AU DEMARRAGE A L'ETHER
 AETHER-STARHILFE
 SUSSIDIO DI AVVIAMENTO
 AUXILIAR DE ARRANQUE DE
 ETERSTARHJELP

(C)(-XXXXXX) 8100-002801;8200-002215;8300-003900;8400-002531
 (D)(XXXXXX-) 8100-002802;8200-002216;8300-003901;8400-002532

3E11

ELECTRICAL

WIRING HARNESS(CAB)(NORTH AMERICAN VERSION)(8100,8200,8300,8400 010000-)
FAISCEAU DE CABLES(CABINE)(VERSION NORD AMERICAINE)(8100,8200,8300,8400 010000-)
KABELBAUM(FAHRERKABINE)(NORDAMERIKANISCHE AUSFUEHRUNG)(8100,8200,8300,8400 010000-)
CABLAGGIO(CABINA)(VERSIONE NORDAMERICANA)(8100,8200,8300,8400 010000-)
GRUPO DE CABLES(CABINA)(VERSION NORTEAMERICANA)(8100,8200,8300,8400 010000-)
KABELHAERVA(HYTT)(NORDAMERIKANSK VERSION)(8100,8200,8300,8400 010000-)
RE027013 -UN-17JUL96



RE027013

KEY	PART NO.	PART NAME	QTY	TRACTOR SERIAL NO.	A L L	REMARKS
1	RE43737	TERMINAL BOARD	4		X	
2	RE155987	ACCELERATOR	1		X	(SUB FOR RE61183)
3	RE49724	TERMINAL BOARD	6		X	
4	RE48875	JUNCTION BLOCK	1		X	
5	RE49727	HORN	1		X	
6	R111931	JUNCTION BLOCK	1		X	
7	RE62163	POTENTIOMETER	1		X	
8	AH144020	THERMOSTAT	1		X	
9	RE49636	RESISTOR	1		X	
10	RE67645	MOTOR	1		X	
11	RE48954	LENS	1		X	R.H.
12	RE151346	FLOODLAMP	2		X	(SUB FOR RE51240, RE71421 OR RE150421)
13	AR75695	SOCKET OUTLET	1		X	
14	RE32042	HITCH SWITCH	1	-024819	X	(SUB RE161844)
	RE161844	KIT	1	024820-	X	(SUB FOR RE32042)
15	RE163725	CAB WIRING HARNESS	1		X	(ALSO ORDER R76477) (SUB FOR RE69159, RE158815 OR RE160770)
16	AR60937	LIGHTER	1		X	
17	RE55476	WIPER/WASHER SWITCH	1		X	
18	RE55477	ROCKER SWITCH	1		X	(MFWD)
19	RE55036	HAZARD LIGHTS SWITCH	1		X	
20	RE60888	AC HIGH PRESSURE SWITCH	1		X	
21	RE155938	AC LOW PRESSURE SWITCH	1		X	(SUB FOR RE60887)
22	RE64583	DIGITAL DISPLAY	1		X	(SUP)
23	AL36529	SWITCH	1		X	
24	RE46717	WIPER/WASHER SWITCH	1		X	
25	RE43497	BLOWER SWITCH	1		X	
26	RE55478	AC COMPRESSOR SWITCH	1		X	
27	RE62649	VEHICLE MONITOR	1		X	W/RE61185(ICU)
	RE62650	VEHICLE MONITOR	1		X	W/O RE61188(ICU)
	RE62651	VEHICLE MONITOR	1		X	W/RE61188(ICU)
28	R111931	JUNCTION BLOCK	1		X	
29	RE51234	DOOR LIGHT SWITCH	1		X	
30	RE48955	LENS	1		X	L.H.
31	RE64377	RADIO	1		X	(FI)
	RE64376	RADIO	1		X	(FI)
32	RE57892	LAMP	1		X	
33	RE61546	SPEAKER	2		X	(REAR)(6")(4 OHM)
34	RE44590	HOUSING	1		X	
35	RE48838	ROCKER SWITCH	1		X	
36	RE61545	SPEAKER	2		X	(FRONT)(6")(4 OHM)
37	RE63458	MODULE	1		X	
38	RE150425	FLOODLAMP	1		X	(SUB FOR RE51239 OR RE71420)
39	RE61419	BLOWER	1		X	
40	RE66277	BRAKE LIGHT SWITCH	1		X	
41	RE46534	SWITCH	1		X	(A)
42	RE61717	KEY SWITCH	1		X	
43	RE63512	MODULE	1		X	
44	R39554	SWITCH	1		X	(B)
45	RE150420	FLOODLAMP	1		X	(SUB FOR RE51239 OR RE71420)

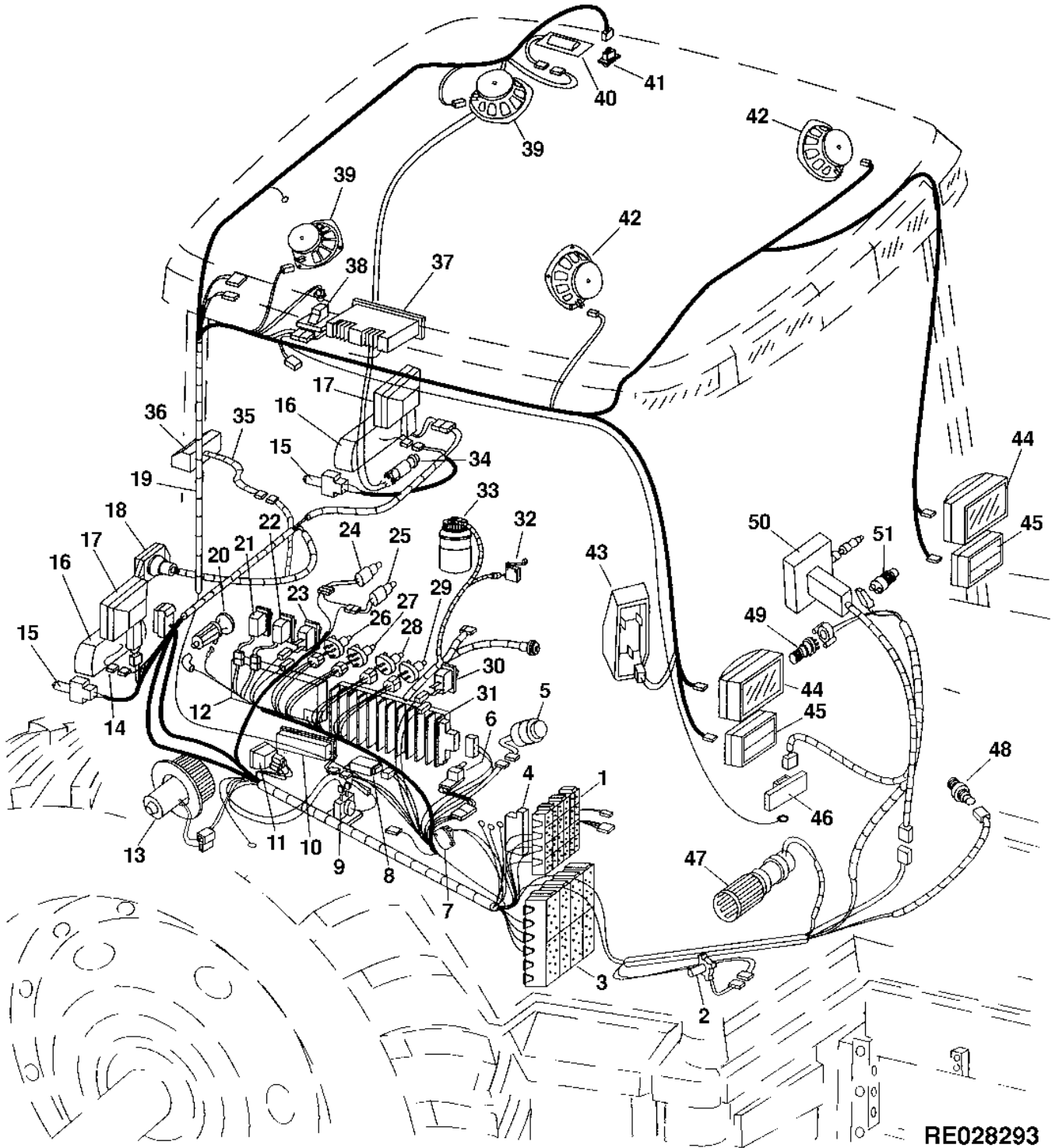
(A)DIFFERENTIAL LOCK
 BLOCCAGE DE DIFFERENTIEL
 DIFFERENTIALSPERRE
 BLOCCAGGIO DIFFERENZIALE
 TRABA DEL DIFERENCIAL
 DIFFERENTIALSPAERR

(B)ETHER AID
 AIDE AU DEMARRAGE A L'ETHER
 AETHER-STARHILFE
 SUSSIDIO DI AVVIAMENTO
 AUXILIAR DE ARRANQUE DE
 ETERSTARHJELP

3E13

ELECTRICAL

WIRING HARNESS(CAB)(EUROPEAN VERSION)(8100,8200,8300,8400 -009999)
FAISCEAU DE CABLES(CABINE)(VERSION EUROPEENNE)(8100,8200,8300,8400 -009999)
KABELBAUM(FAHRERKABINE)(EUROPEAEISCHE AUSFUEHRUNG)(8100,8200,8300,8400 -009999)
CABLAGGIO(CABINA)(VERSIONE EUROPEA)(8100,8200,8300,8400 -009999)
GRUPO DE CABLES(CABINA)(VERSION EUROPEA)(8100,8200,8300,8400 -009999)
KABELHAERVA(HYTT)(EUROPEISK VERSION)(8100,8200,8300,8400 -009999)
RE028293 -UN-05SEP97



RE028293

3E14

ELECTRICAL

KEY	PART NO.	PART NAME	QTY	TRACTOR SERIAL NO.	A L L	REMARKS
1	RE43737	TERMINAL BOARD	4		X	
2	RE155987	ACCELERATOR	1		X	(SUB FOR RE61183)
3	RE49724	TERMINAL BOARD	6		X	
4	RE48875	JUNCTION BLOCK	1		X	
5	RE49727	HORN	1		X	
6	RE62163	POTENTIOMETER	1		X	(SUB FOR RE57697)
7	R111931	JUNCTION BLOCK	1		X	
8	AL32891	FLASHER	1		X	
9	AH144020	THERMOSTAT	1		X	
10	AL78989	CLOCK	1		X	
11	RE49636	RESISTOR	1		X	
12	RE64583	DIGITAL DISPLAY	1		X	(SUB FOR RE60928 OR RE63440) (SUP)
13	RE62653	MOTOR	1		X	(SUB FOR RE57571) (SUB RE67645, R121666 AND R126547)
14	AL113022	WIRING HARNESS	1		X	(USE WITH AL112964)
15	RE32042	HITCH SWITCH	1	-024819	X	(SUB RE161844)
	RE161844	KIT	2	024820-	X	(SUB FOR RE32042)
16	AL112964	TAIL LAMP	2		X	(SUB FOR AL77138 OR AL112012)
17	RE151346	FLOODLAMP	2		X	(SUB FOR RE51240, RE71421 OR RE150421)
18	L83677	SOCKET OUTLET	1		X	
19	RE60538	CAB WIRING HARNESS	1	-XXXXXX	X	(D) (ALSO ORDER R76477) (SUB RE64627, (2) 57M7254, (2) 57M7289, (4) R104846 AND (4) 57M7258)
	RE64627	CAB WIRING HARNESS	1	XXXXXX-	X	(E) (SUB FOR RE60538)
20	AR60937	LIGHTER	1		X	
21	RE55476	WIPER/WASHER SWITCH	1		X	
22	RE55477	ROCKER SWITCH	1		X	(MFWD)
23	RE55036	HAZARD LIGHTS SWITCH	1		X	
24	RE60888	AC HIGH PRESSURE SWITCH	1		X	
25	RE155938	AC LOW PRESSURE SWITCH	1		X	(SUB FOR RE60887)
26	AL36529	SWITCH	1		X	
27	AL36529	SWITCH	1		X	
28	RE46717	WIPER/WASHER SWITCH	1		X	
29	RE43497	BLOWER SWITCH	1		X	
30	RE55478	AC COMPRESSOR SWITCH	1		X	
31	RE62652	VEHICLE MONITOR	1		X	(SUB FOR RE60955) (ICU)
32	RE30714	SWITCH	1		X	
	RE33778	DIODE	1		X	(A) (INCLUDES RE12363, R78057 AND R78059)
33	RE63981	FILLER CAP	1		X	(SUB FOR RE63427)
34	RE51234	DOOR LIGHT SWITCH	1		X	
35	RE52633	WIRING HARNESS	1		X	
36	AL33161	FLOODLAMP	1		X	
37	RE64377	RADIO	1		X	(FI)
	RE64376	RADIO	1		X	(FI)
38	RE57892	LAMP	1		X	
39	RE61546	SPEAKER	2		X	(REAR)(6")(4 OHM)
40	RE44590	HOUSING	1		X	
41	RE48838	ROCKER SWITCH	1		X	
42	RE61545	SPEAKER	2		X	(FRONT)(6")(4 OHM)
43	RE63458	MODULE	1		X	(SUB FOR RE60929)
44	RE48989	FLOODLAMP	2	-XXXXXX	X	(D)
	RE151346	FLOODLAMP	2	XXXXXX-	X	(E) (SUB FOR RE51240, RE71421 OR RE150421)
45	AL75642	TURN SIGNAL LAMP	2		X	
46	RE66277	BRAKE LIGHT SWITCH	1		X	(SUB FOR RE55468 OR RE63211)
47	RE61419	BLOWER	1		X	
48	RE46534	SWITCH	1		X	(B)
49	RE61717	KEY SWITCH	1		X	
50	RE63513	TURN SIGNAL SWITCH	1		X	(SUB FOR RE60589)
51	R39554	SWITCH	1		X	(C)

(A)W/O SECONDARY BRAKE
W/O FREIN SECONDAIRE
W/O ZWEITBREMSE
W/O FRENO SECONDARIO
W/O FRENO SECUNDARIO
W/O PARKERINGSBROMS

(B)DIFFERENTIAL LOCK
BLOCAGE DE DIFFERENTIEL
DIFFERENTIALSPERRE
BLOCCAGGIO DIFFERZIALE
TRABA DEL DIFERENCIAL
DIFFERENTIALSPAERR

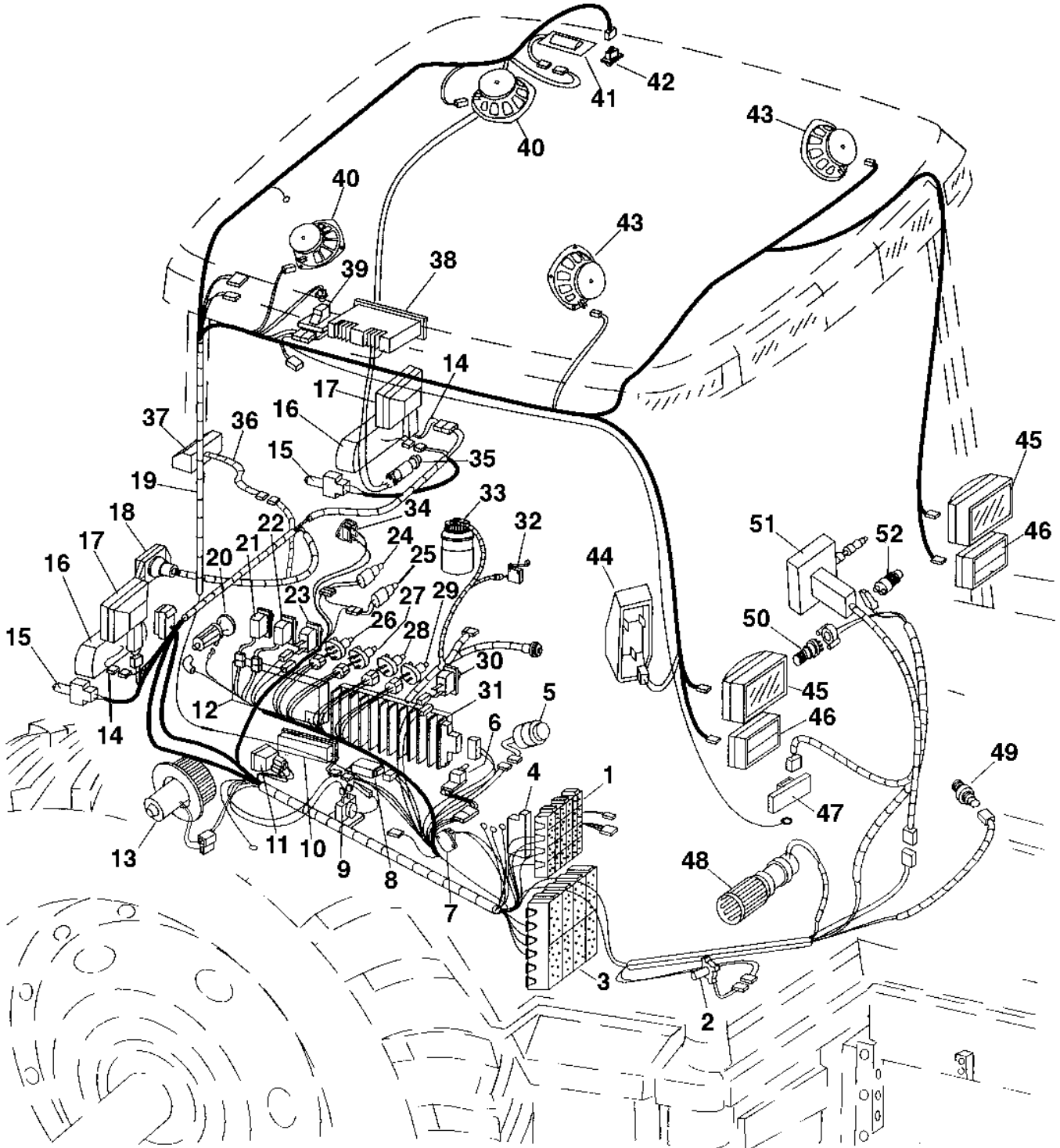
(C)ETHER AID
AIDE AU DEMARRAGE A L'ETHER
AETHER-STARHILFE
SUSSIDIO DI AVVIAMENTO
AUXILIAR DE ARRANQUE DE
ETERSTARHJELP

(D)(-XXXXXX)8100-002801;8200-002215;8300-003900;8400-002531
(E)(XXXXXX-)8100-002802;8200-002216;8300-003901;8400-002532

3E15

ELECTRICAL

WIRING HARNESS(CAB)(EUROPEAN VERSION)(8100,8200,8300,8400 010000-)
FAISCEAU DE CABLES(CABINE)(VERSION EUROPEENNE)(8100,8200,8300,8400 010000-)
KABELBAUM(FAHRERKABINE)(EUROPEAEISCHE AUSFUEHRUNG)(8100,8200,8300,8400 010000-)
CABLAGGIO(CABINA)(VERSIONE EUROPEA)(8100,8200,8300,8400 010000-)
GRUPO DE CABLES(CABINA)(VERSION EUROPEA)(8100,8200,8300,8400 010000-)
KABELHAERVA(HYTT)(EUROPEISK VERSION)(8100,8200,8300,8400 010000-)
RE028479 -UN-29OCT97



RE028479

3E16

ELECTRICAL

KEY	PART NO.	PART NAME	QTY	TRACTOR SERIAL NO.	A L L	REMARKS
1	RE43737	TERMINAL BOARD	4		X	
2	RE155987	ACCELERATOR	1		X	(SUB FOR RE61183)
3	RE49724	TERMINAL BOARD	6		X	
4	RE48875	JUNCTION BLOCK	1		X	
5	RE49727	HORN	1		X	
6	RE62163	POTENTIOMETER	1		X	
7	R111931	JUNCTION BLOCK	1		X	
8	AL32891	FLASHER	1		X	
9	AH144020	THERMOSTAT	1		X	
10	AL78989	CLOCK	1		X	
11	RE49636	RESISTOR	1		X	
12	RE64583	DIGITAL DISPLAY	1		X	(SUP)
13	RE67645	MOTOR	1		X	
14	RE71246	WIRING HARNESS	2		X	(SUB FOR RE69341)
15	RE32042	HITCH SWITCH	1	-024819	X	(SUB RE161844)
	RE161844	KIT	2	024820-	X	(SUB FOR RE32042)
16	RE67285	LENS	2		X	
17	RE151346	FLOODLAMP	2		X	(SUB FOR RE51240, RE71421 OR RE150421)
18	L83677	SOCKET OUTLET	1		X	
19	RE158816	WIRING HARNESS	1		X	(ALSO ORDER R76477) (SUB FOR RE69160)
20	AR60937	LIGHTER	1		X	
21	RE55476	WIPER/WASHER SWITCH	1		X	
22	RE55477	ROCKER SWITCH	1		X	(MFWD)
23	RE55036	HAZARD LIGHTS SWITCH	1		X	
24	RE60888	AC HIGH PRESSURE SWITCH	1		X	
25	RE155938	AC LOW PRESSURE SWITCH	1		X	(SUB FOR RE60887)
26	AL36529	SWITCH	1		X	
27	AL36529	SWITCH	1		X	
28	RE46717	WIPER/WASHER SWITCH	1		X	
29	RE43497	BLOWER SWITCH	1		X	
30	RE55478	AC COMPRESSOR SWITCH	1		X	
31	RE62652	VEHICLE MONITOR	1		X	(ICU)
32	RE48234	SWITCH	1		X	
	RE33778	DIODE	1		X	(A) (INCLUDES RE12363, R78057 AND R78059)
33	RE63981	FILLER CAP	1		X	
34	R111931	JUNCTION BLOCK	1		X	
35	RE51234	DOOR LIGHT SWITCH	1		X	
36	RE52633	WIRING HARNESS	1		X	
37	AL33161	FLOODLAMP	1		X	
38	RE64377	RADIO	1		X	(FI)
	RE64376	RADIO	1		X	(FI)
39	RE57892	LAMP	1		X	
40	RE61546	SPEAKER	2		X	(REAR)(6")(4 OHM)
41	RE44590	HOUSING	1		X	
42	RE48838	ROCKER SWITCH	1		X	
43	RE61545	SPEAKER	2		X	(FRONT)(6")(4 OHM)
44	RE63458	MODULE	1		X	
45	RE151346	FLOODLAMP	2		X	(SUB FOR RE51240, RE71421 OR RE150421)
46	AL75642	TURN SIGNAL LAMP	2		X	
47	RE66277	BRAKE LIGHT SWITCH	1		X	
48	RE61419	BLOWER	1		X	
49	RE46534	SWITCH	1		X	(B)
50	RE61717	KEY SWITCH	1		X	
51	RE63513	TURN SIGNAL SWITCH	1		X	
52	R39554	SWITCH	1		X	(C)

(A)W/O SECONDARY BRAKE
W/O FREIN SECONDAIRE
W/O ZWEITBREMSE
W/O FRENO SECONDARIO
W/O FRENO SECUNDARIO
W/O PARKERINGSBROMS

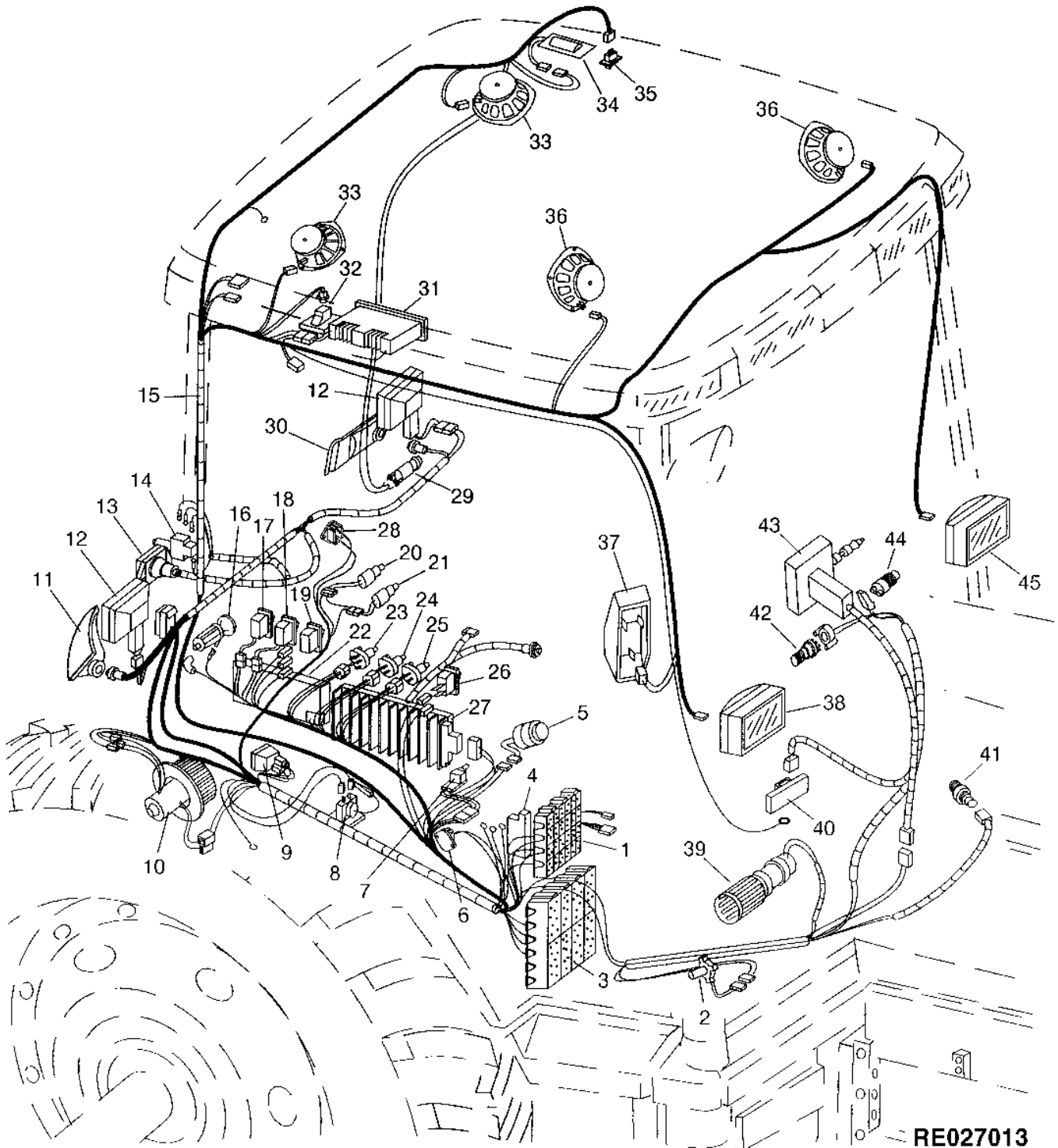
(B)DIFFERENTIAL LOCK
BLOCAGE DE DIFFERENTIEL
DIFFERENTIALSPERRE
BLOCCAGGIO DIFFERZIALE
TRABA DEL DIFERENCIAL
DIFFERENTIALSPAERR

(C)ETHER AID
AIDE AU DEMARRAGE A L'ETHER
AETHER-STARHILFE
SUSSIDIO DI AVVIAMENTO
AUXILIAR DE ARRANQUE DE
ETERSTARHJELP

3E17

ELECTRICAL

WIRING HARNESS(CAB)(UKRAINIAN VERSION)(8400 011969 -)
FAISCEAU DE CABLES(CABINE)(VERSION UKRAINIENNE)(8400 011969-)
KABELBAUM(FAHRERKABINE)(UKRAINISCHE AUSFUEHRUNG)(8400 011969-)
CABLAGGIO(CABINA)(VERSIONE PER L'UCRAINA)(8400 011969-)
GRUPO DE CABLES(CABINA)(VERSION UCRANIANA)(8400 011969-)
KABELHAERVA(HYTT)(VERSION FOER UKRAINA)(8400 011969-)
RE027013 -UN-17JUL96



RE027013

KEY	PART NO.	PART NAME	QTY	TRACTOR SERIAL NO.	REMARKS
				8	
				4	
				0	
				0	
1	RE43737	TERMINAL BOARD	4	X	
2	RE155987	ACCELERATOR	1	X	(SUB FOR RE61183)
3	RE49724	TERMINAL BOARD	6	X	
4	RE48875	JUNCTION BLOCK	1	X	
5	RE49727	HORN	1	X	
6	R111931	JUNCTION BLOCK	1	X	
7	RE62163	POTENTIOMETER	1	X	
8	AH144020	THERMOSTAT	1	X	
9	RE49636	RESISTOR	1	X	
10	RE67645	MOTOR	1	X	
11	RE48954	LENS	1	X	R.H.
12	RE151346	FLOODLAMP	2	X	(SUB FOR RE51240, RE71421 OR RE150421)
13	AR75695	SOCKET OUTLET	1	X	
14	RE32042	HITCH SWITCH	1	X	(SUB RE161844)
	RE161844	KIT	1	024820-	(SUB FOR RE32042)
15	RE150544	CAB WIRING HARNESS	1	XXXXXX-XXXXXX	(C) (ALSO ORDER R76477) (SUB RE163725)
	RE163725	CAB WIRING HARNESS	1	XXXXXX-	(D) (ALSO ORDER R76477) (SUB FOR RE150544, RE158815 OR RE160770)
16	AR60937	LIGHTER	1	X	
17	RE55476	WIPER/WASHER SWITCH	1	X	
18	RE55477	ROCKER SWITCH	1	X	(MFWD)
19	RE55036	HAZARD LIGHTS SWITCH	1	X	
20	RE60888	AC HIGH PRESSURE SWITCH	1	X	
21	RE155938	AC LOW PRESSURE SWITCH	1	X	(SUB FOR RE60887)
22	RE64583	DIGITAL DISPLAY	1	X	(SUP)
23	AL36529	SWITCH	1	X	
24	RE46717	WIPER/WASHER SWITCH	1	X	
25	RE43497	BLOWER SWITCH	1	X	
26	RE55478	AC COMPRESSOR SWITCH	1	X	
27	RE62652	VEHICLE MONITOR	1	X	W/RE61185(ICU)
28	R111931	JUNCTION BLOCK	1	X	
29	RE51234	DOOR LIGHT SWITCH	1	X	
30	RE48955	LENS	1	X	L.H.
31	RE64377	RADIO	1	X	(FI)
	RE64376	RADIO	1	X	(FI)
32	RE57892	LAMP	1	X	
33	RE61546	SPEAKER	2	X	(REAR)(6")(4 OHM)
34	RE44590	HOUSING	1	X	
35	RE48838	ROCKER SWITCH	1	X	
36	RE61545	SPEAKER	2	X	(FRONT)(6")(4 OHM)
37	RE63458	MODULE	1	X	
38	RE150425	FLOODLAMP	1	X	(SUB FOR RE51239 OR RE71420)
39	RE61419	BLOWER	1	X	
40	RE66277	BRAKE LIGHT SWITCH	1	X	
41	RE46534	SWITCH	1	X	(A)
42	RE61717	KEY SWITCH	1	X	
43	RE63512	MODULE	1	X	
44	R39554	SWITCH	1	X	(B)
45	RE150420	FLOODLAMP	1	X	(SUB FOR RE51239 OR RE71420)

(A)DIFFERENTIAL LOCK
 BLOCCAGE DE DIFFERENTIEL
 DIFFERENTIALSPERRE
 BLOCCAGGIO DIFFERENZIALE
 TRABA DEL DIFERENCIAL
 DIFFERENTIALSPAERR

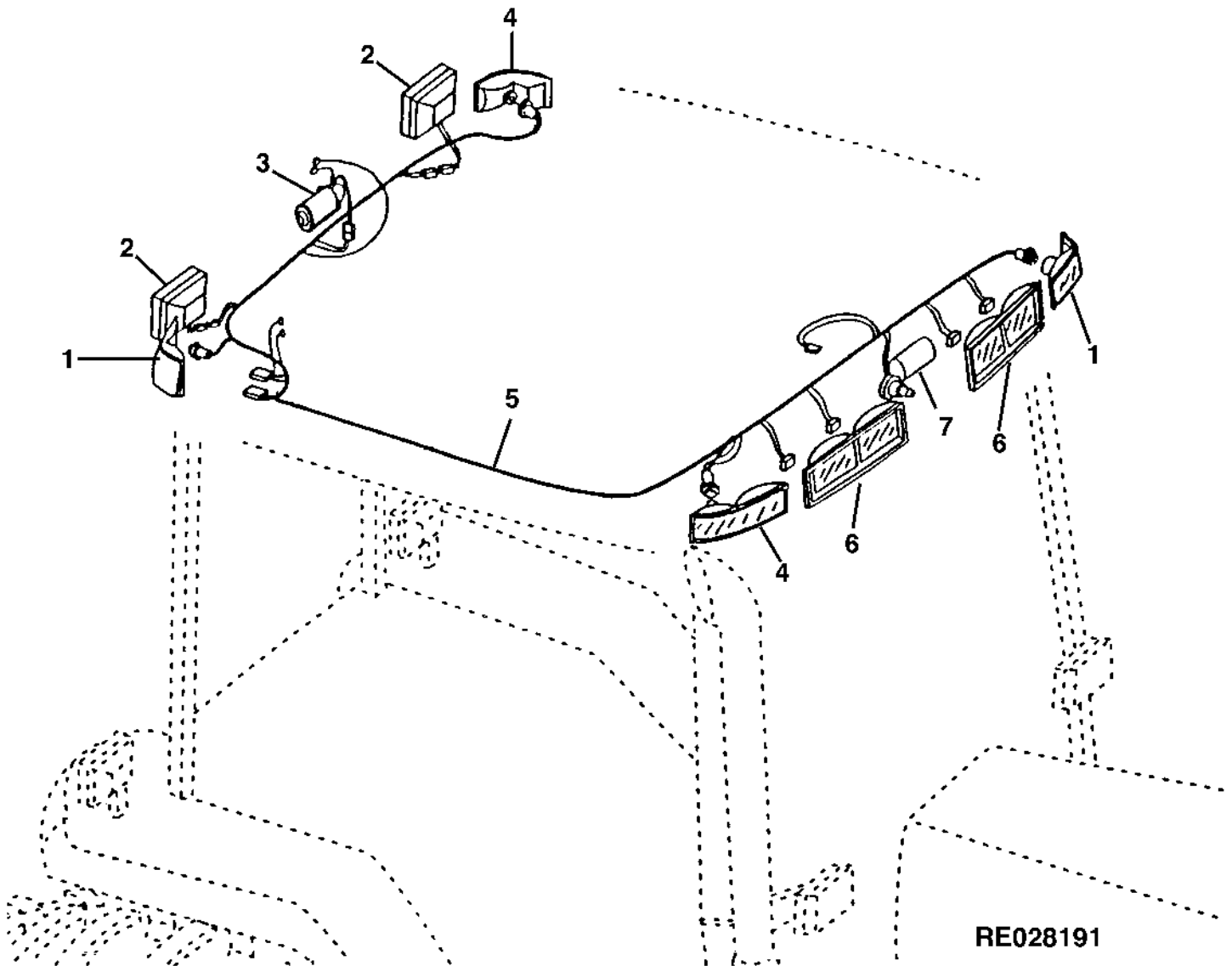
(B)ETHER AID
 AIDE AU DEMARRAGE A L'ETHER
 AETHER-STARHILFE
 SUSSIDIO DI AVVIAMENTO
 AUXILIAR DE ARRANQUE DE
 ETERSTARHJELP

(C)(XXXXXX-XXXXXX)8400-011969-023110
 (D)(XXXXXX-)8400-023111

3E19

ELECTRICAL

WIRING HARNESS(ROOF)
FAISCEAU DE CABLES(TOIT)
KABELBAUM(DACH)
CABLAGGIO(TETTO)
GRUPO DE CABLES(TECHO)
KABELHAERVA(TAK)
RE028191 -UN-06AUG97



KEY	PART NO.	PART NAME	QTY	TRACTOR SERIAL NO.	A L L	REMARKS
1	RE55150	TAIL LAMP	2		X	(A) R.H.FRONT/L.H.REAR
2	RE61201	FLOODLAMP	2	-XXXXXX	X	(B)
	RE151345	FLOODLAMP	2	XXXXXX-	X	(C) (SUB FOR RE63958, RE71424 OR RE150424)
3	RE151494	WIPER MOTOR	1		X	(SUB FOR AL76686)
4	RE55151	TAIL LAMP	2		X	(A) L.H.FRONT/R.H.REAR
5	RE60647	ROOF WIRING HARNESS	1	-XXXXXX	X	(B)
	RE64629	ROOF WIRING HARNESS	1	XXXXXX-	X	(C)
	37M7059	SCREW	1		X	M5 X 12
6	RE37450	LAMP	4		X	
7	RE151494	WIPER MOTOR	1		X	(SUB FOR AL76686)

(A)NORTH AMERICAN VERSION
 VERSION NORD AMERICAINE
 NORDAMERIKANISCHE
 VERSIONE NORDAMERICANA
 VERSION NORTEAMERICANA
 NORDAMERIKANSK VERSION

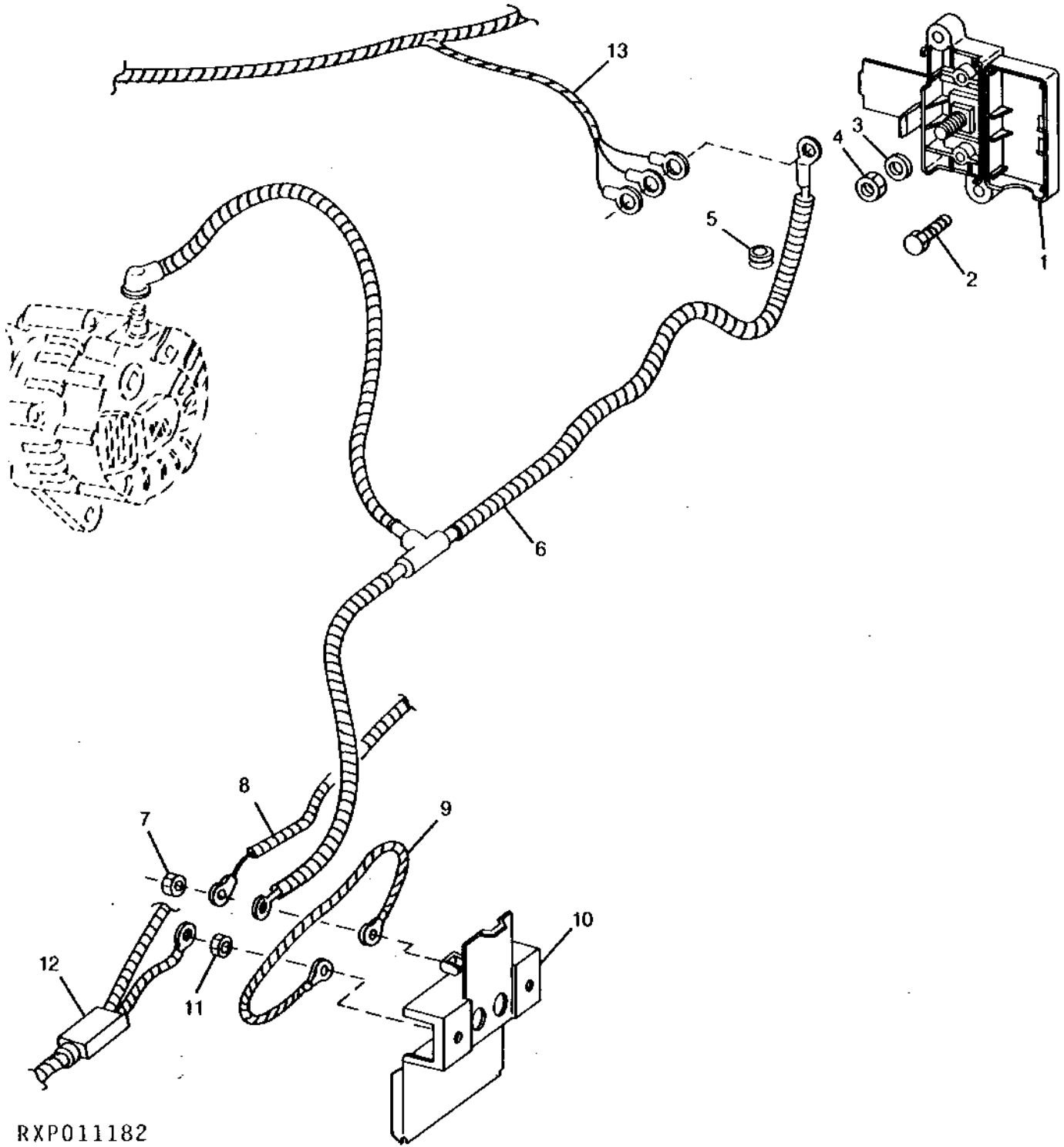
(B)(-XXXXXX)8100-002801;8200-002215;8300-003900;8400-002531

(C)(XXXXXX-)8100-002802;8200-002216;8300-003901;8400-002532

3E21

ELECTRICAL

WIRING HARNESS (CAB POWER)
FAISCEAU DE CABLES(ALIMENTATION DE CABINE)
KABELBAUM(FAHRERKABINE-STROMVERSORGUNG)
CABLAGGIO(ALIMENTAZIONE DELLA CABINA)
GRUPO DE CABLES(ENERGIA DE LA CABINA)
KABELHAERVA(HYTTSTROEMFOERSOERJNING)
RXP011182 -UN-01JAN94



RXP011182

3E22

ELECTRICAL

KEY	PART NO.	PART NAME	QTY	TRACTOR SERIAL NO.	A L L	REMARKS
1	RE48875	JUNCTION BLOCK	1		X	
2	19M7372	CAP SCREW	2		X	M5 X 16
3	24M7146	WASHER	1		X	4.300 X 12 X 1 MM
4	14M7100	NUT	1		X	M4
5	R70350	GROMMET	1		X	
6	RE56273	CABLE	1		X	(+)
7	14M7273	NUT	1		X	
8	WIRING HARNESS	1		X	(A)
9	RE49736	WIRING LEAD	1		X	
10	RE48867	JUNCTION BLOCK	1		X	
11	14M7274	NUT	1		X	M10
12	RE44581	CABLE	1		X	(B) (+)
13	CAB WIRING HARNESS	1		X	
..	RE54810	ISOLATOR	1		X	

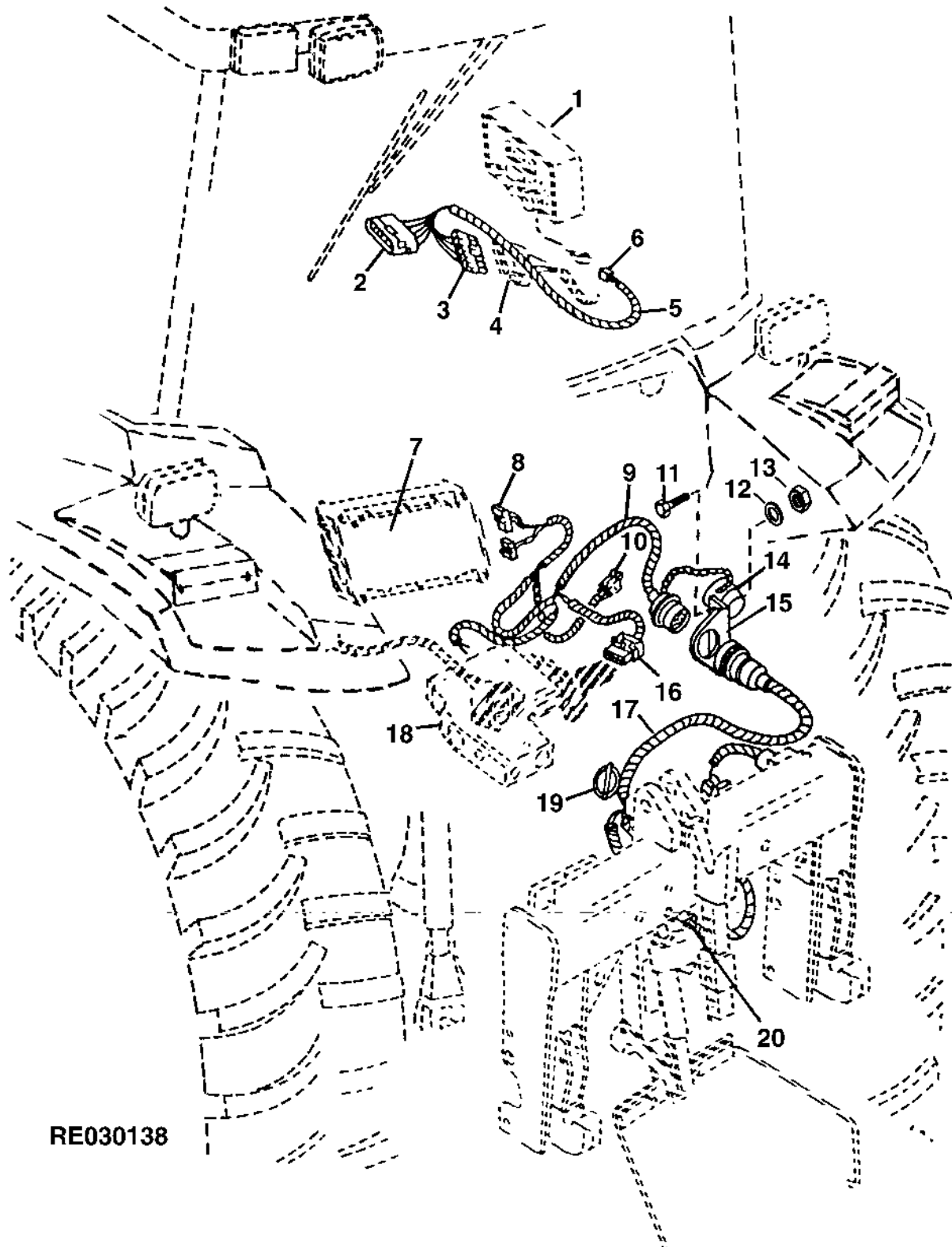
(A) ENGINE AND CHASSIS
MOTEUR ET CHASSIS
MOTOR UND CHASSIS
MOTORE E TELAIO
MOTOR Y CHASIS
MOTOR OCH CHASSIS

(B) BATTERY
BATTERIE
BATTERIE
BATTERIA
BATERIA
BATTREI

3E23

ELECTRICAL

WIRING HARNESS(ROW-TRAK)
FAISCEAU DE CABLES(ROW-TRAK)
KABELBAUM(ROW-TRAK)
CABLAGGIO(ROW-TRAK)
GRUPO DE CABLES(ROW-TRAK)
KABELHAERVA(ROW-TRAK)
RE030138 -UN-03NOV98



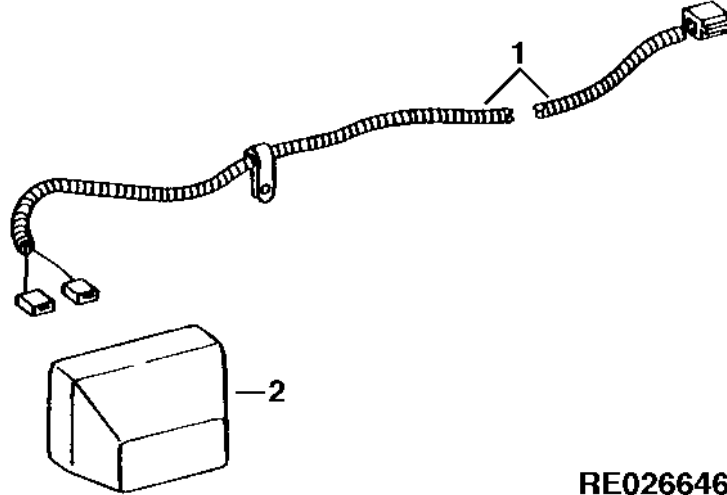
RE030138

KEY	PART NO.	PART NAME	QTY	TRACTOR SERIAL NO.	A L L	REMARKS
1	RE57744	MONITOR	1		X	
2	R78056	CONNECTOR	1		X	(ALSO ORDER (6) R78058 AND (6) 57M7292)
3	RE12366	CONNECTOR	1		X	(ALSO ORDER (6) R78057 AND (6) 57M7292)
4	CAB WIRING HARNESS	1		X	
5	RE64323	WIRING LEAD	1		X	(SUB FOR RE58312)
6	T138822	CONNECTOR	1		X	(ALSO ORDER (4) R78058 AND (4) 57M7292)
7	HITCH AND SCV CONTROLLER	1		X	
8	57M7253	RECEPTACLE	1		X	
9	RE58311	WIRING HARNESS	1		X	(ALSO INCLUDES E73240)
10	57M7260	CONNECTOR	1		X	
11	19M7550	CAP SCREW	2		X	
12	24M7346	WASHER	4		X	
13	14M7274	NUT	2		X	
14	AE44632	CONNECTOR	1		X	(ALSO ORDER (2) R44302)
15	R124308	BRACKET	1		X	
16	57M7265	CONNECTOR	1		X	(ALSO ORDER (8) R104919 AND (8) 57M7258) (SUB FOR RE42196)
17	RE58548	WIRING HARNESS	1		X	
	RE63306	WIRING HARNESS	1		X	(A) (CONSISTS OF AE44976)
	RE63763	WIRING LEAD	1		X	(B)
18	AR114034	KIT	1		X	(FI)(5TH SCV)
19	M115827	QUICK LOCK PIN	1		X	
20	57M7309	CONNECTOR	1		X	(ALSO ORDER (2) 57M7297 AND (2) 57M7292)
..	R107991	CLAMP	1		X	

(A) EXTENSION
EXTENSION
VERLAENGERUNG
ESTENSIONE
EXTENSION
FOERLAENGNING

(B) HITCH DISABLE
DESENGAGEMENT DE L'ATTELAGE
REGELHYDRAULIK-ABSCHALTUNG
DISATTIVAZIONE DELL'ATTACCO
DESACTIVACION DEL ENGANCHE
LYFTURKOPPLING

WIRING HARNESS(LICENCE PLATE LAMP)(EUROPEAN VERSION)
 FAISCEAU DE FILS(PLAQUE MINERALOGIQUE,ECLAIRAGE)
 KABELBAUM(NUMMERNSCHILD-BELEUCHTUNG)
 CABLAGGIO(LUCE DELLA TARGA)
 GRUPO DE CABLES(INTERRUPTOR DE FRENO)
 KABELHAERVA(BROMSKONTAKT)
 RE026646 -UN-07DEC95



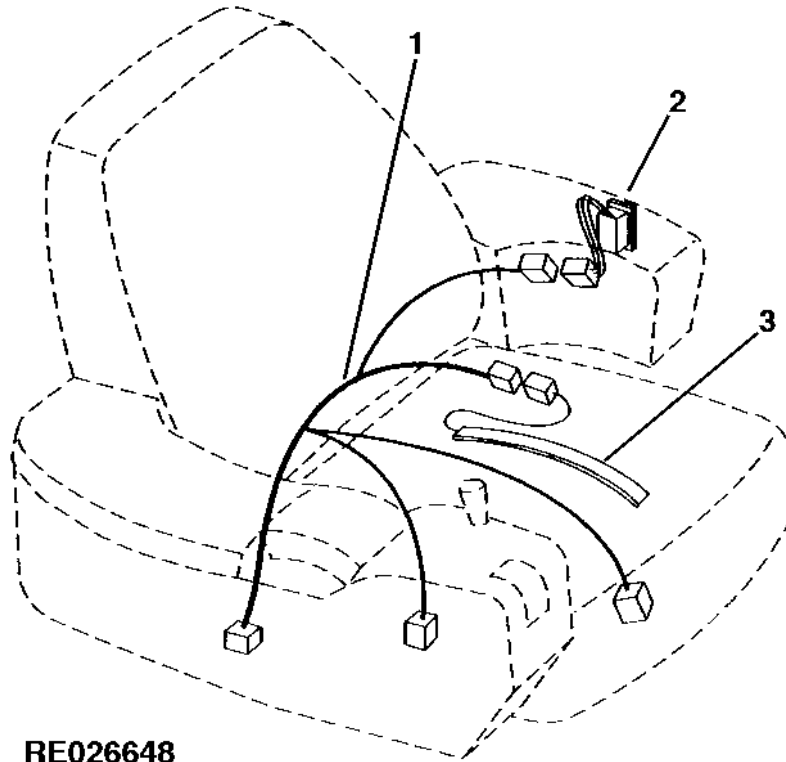
RE026646

KEY	PART NO.	PART NAME	QTY	TRACTOR SERIAL NO.	A	REMARKS
					L	
1	RE52633	WIRING HARNESS	1		X	(A)
	RE62300	WIRING HARNESS	1		X	(B) (FI)
2	AL33161	FLOODLAMP	1		X	

(A)EUROPEAN VERSION
 VERSIONE EUROPEENNE
 EUROPÄISCHE AUSFUEHRUNG
 VERSIONE EUROPEA
 VERSION EUROPEA
 EUROPEISK VERSION

(B)USE OTHER THAN NORTH AMERICAN AND EUROPEAN VERSION
 USAGE AUTRE QUE LES VERSIONNORD-AMERICAINES OU EUROPEENNES
 FUER DEN GEBRAUCH AUSSER MIT DEN NORDAMERIKANISCHEN UND EUROPÄISCHEN AUSFUEHRUNGEN
 UEARE SULLE VERSIONI NON NORDAMERICANE O EUROPEE
 USAR EN TRACTORES DE VERSION DIFERENTE A LA NORTEAMERICANA O EUROPEA
 ANVAENDS PAA ALLA TRAKTORER UTOM I NORDAMERIKA OCH EUROPA

WIRING HARNESS(SEAT)
FAISCEAU COND.DE GRAISSAGE(SIEGE)
SCHMIERLEITUNGSPAKET(SITZ)
CONDOTTI DI LUBRIFICAZIONE(SEDILE)
SISTEMA DE ENGRASE(ASIENTO)
CENTRALSMOERJNING(SAETE)
 RE026648 -UN-19DEC95



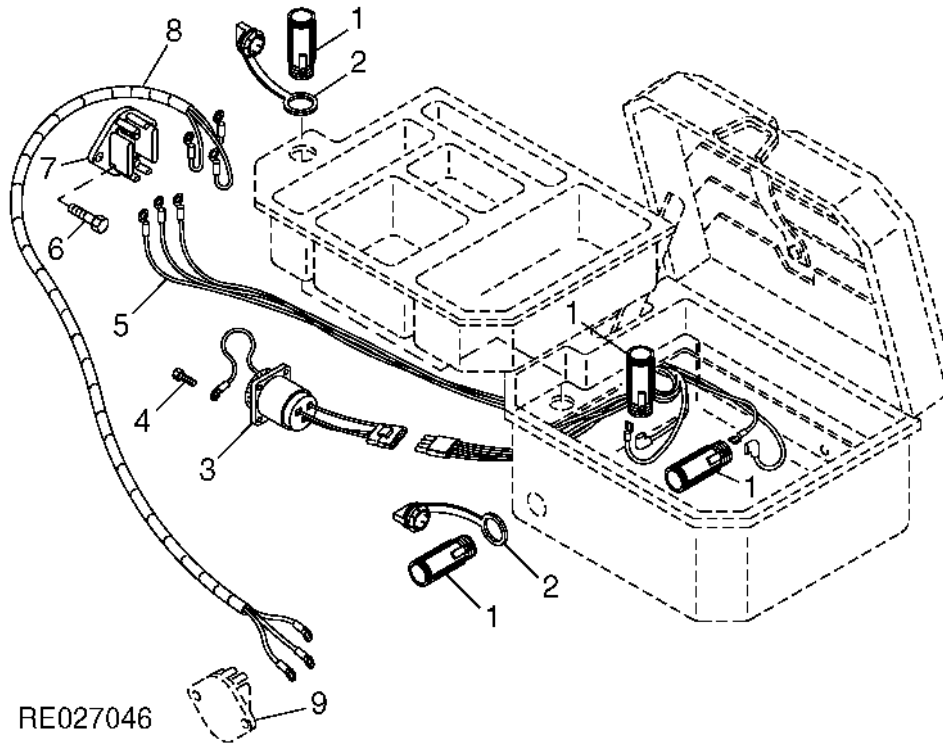
RE026648

KEY	PART NO.	PART NAME	QTY	TRACTOR SERIAL NO.	A		REMARKS
					L	L	
1	RE52550	WIRING HARNESS	1		X		
2	RE43451	ROCKER SWITCH	1		X		
3	RE43526	SWITCH	1		X		

3F2

ELECTRICAL

WIRING HARNESS(FIELD OFFICE)(8100,8200,8300,8400 -009999)
 FAISCEAU DE CABLES(BUREAU MOBILE)(8100,8200,8300,8400 -009999)
 KABELBAUM(BORD-BUERO)(8100,8200,8300,8400 -009999)
 CABLAGGIO(UFFICIO MOBILE)(8100,8200,8300,8400 -009999)
 GRUPO DE CABLES(OFCINA PORTATIL)(8100,8200,8300,8400 -009999)
 KABELHAERVA(TRAKTORKONTOR)(8100,8200,8300,8400 -009999)
 RE027046 -UN-17JUL96

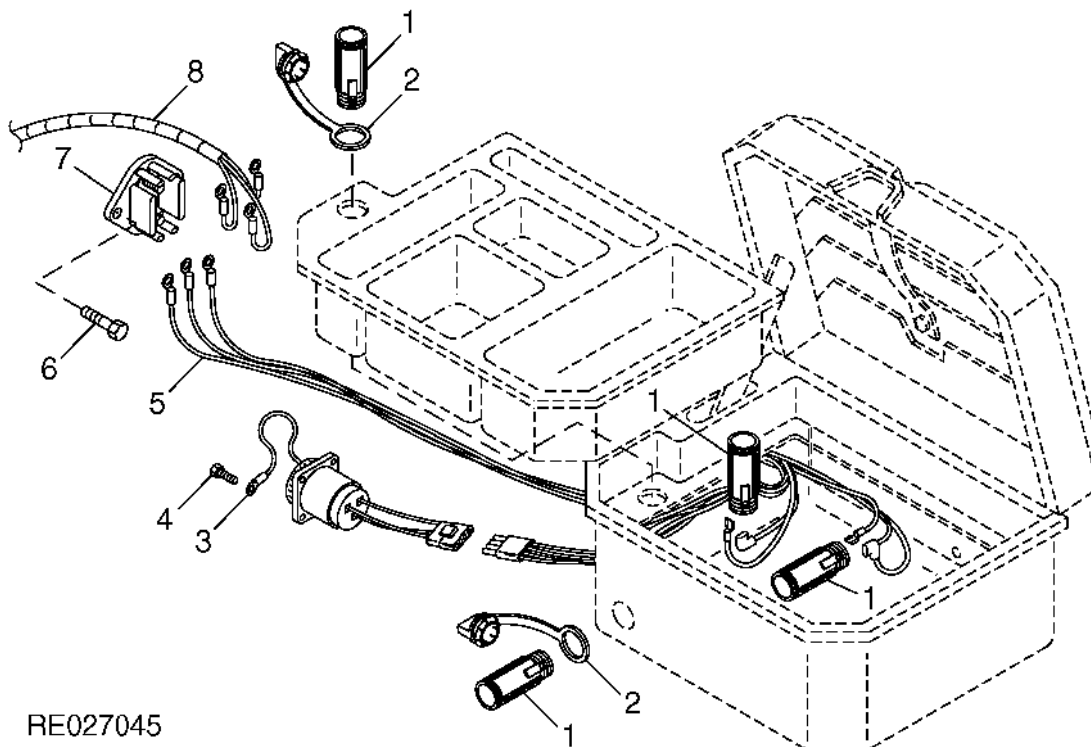


KEY	PART NO.	PART NAME	QTY	CAB SERIAL NO.	A L L	REMARKS
1	AR56766	HOUSING	2		X	
2	R131671	PLUG	2		X	
3	RE37640	SOCKET OUTLET	1		X	
4	R133192	RIVET	4		X	
5	RE67821	WIRING HARNESS	1		X	
6	21H1463	CAP SCREW	2		X	0.190" X 7/8"
7	R111931	JUNCTION BLOCK	1		X	
8	RE69474	WIRING HARNESS	1		X	
9	R111931	JUNCTION BLOCK	1		X	

3F3

ELECTRICAL

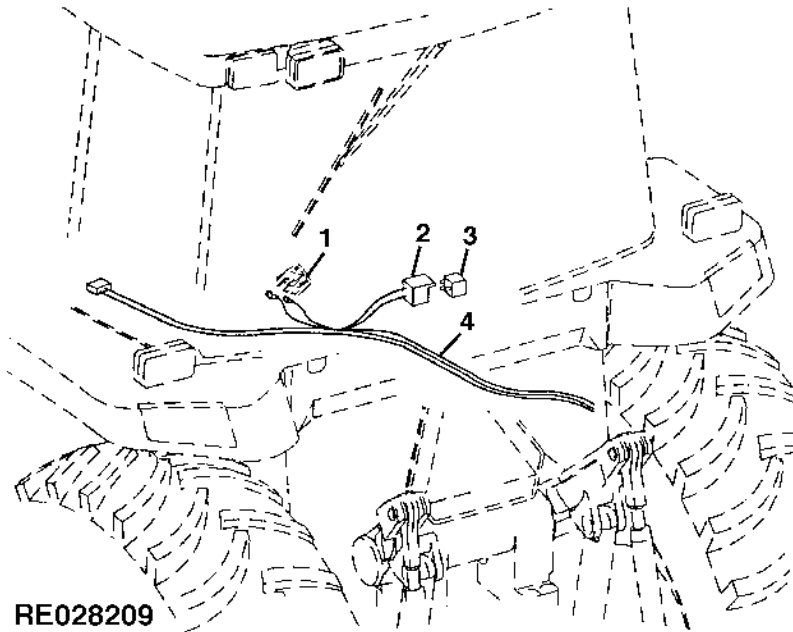
WIRING HARNESS(FIELD OFFICE)(8100,8200,8300,8400 010000-)
 FAISCEU DE CABLES(BUREAU MOBILE)(8100,8200,8300,8400 010000-)
 KABELBAUM(BORD-BUERO)(8100,8200,8300,8400 010000-)
 CABLAGGIO(UFFICIO MOBILE)(8100,8200,8300,8400 010000-)
 GRUPO DE CABLES(OFICINA PORTATIL)(8100,8200,8300,8400 010000-)
 KABELHAERVA(TRAKTORKONTOR)(8100,8200,8300,8400 010000-)
 RE027045 -UN-17JUL96



RE027045

KEY	PART NO.	PART NAME	QTY	CAB SERIAL NO.	A		REMARKS
					L	L	
1	AR56766	HOUSING	2		X		
2	R131671	PLUG	2		X		
3	RE37640	SOCKET OUTLET	1		X		
4	R133192	RIVET	4		X		
5	RE67821	WIRING HARNESS	1		X		
6	21H1463	CAP SCREW	2		X		0.190" X 7/8"
7	R111931	JUNCTION BLOCK	1		X		
8	CAB WIRING HARNESS	1		X		

BRAKE LIGHT EXTENSION WIRING HARNESS
FAISCEAU DE FILS RALLONGE DES FEUX DES FREINS
BREMSLIGHT-VERLAENGERUNGSKABELBAUM
CAVO DI PROLUNGA DELLA LUCE DEL FRENO
GRUPO DE CABLES DE EXTENSION DE LUZ DE FRENO
KABELHAERVA FOER BROMSLJUSFOERLAENGNING
 RE028209 -UN-06AUG97

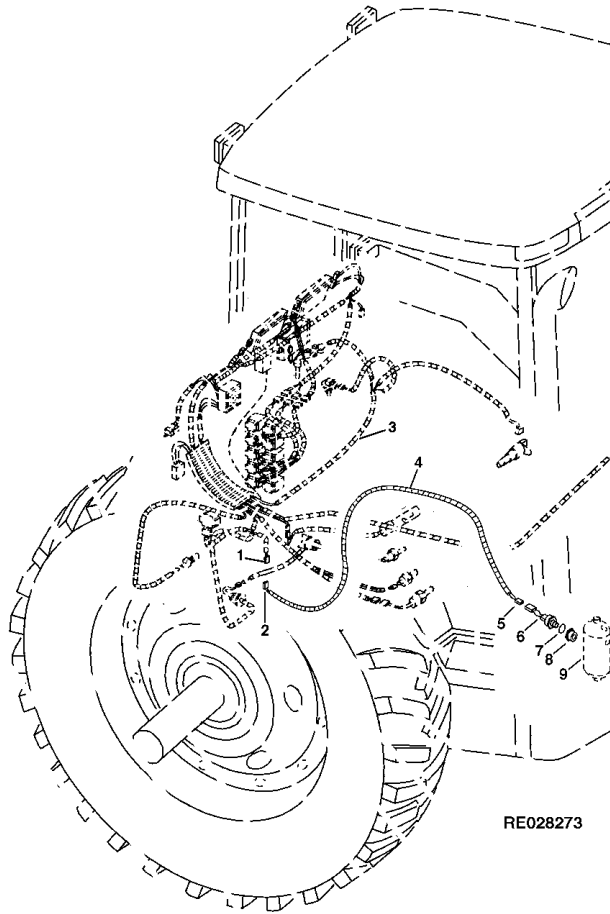


KEY	PART NO.	PART NAME	QTY	TRACTOR SERIAL NO.	A	REMARKS
					L	
1	R111931	JUNCTION BLOCK	1		X	
2	ET15766	CONNECTOR	1		X	(ALSO ORDER (4) 57M7514)
3	RE68327	RELAY	1		X	(SUB FOR RE48876) (40 AMP)
4	RE61403	WIRING HARNESS	1		X	

3F5

ELECTRICAL

AIR BRAKE WIRING HARNESS(EUROPEAN VERSION)
 FAISCEAU DE FILS DE FREIN PNEUMATIQUE(VERSION EUROPEENNE)
 DRUCKLUFTBREMSEN-KABELBAUM(EUROPEAEISCHE AUSFUEHRUNG)
 CAVO FRENO A COMANDO PNEUMATICO(VERSIONE EUROPEA)
 ARNES DE ALAMBRADO DE FRENOS DE AIRE(VERSION EUROPEA)
 KABELHAERVA FOER LUFTBROMS(EUROPEISK VERSION)
 RE028273 -UN-05SEP97



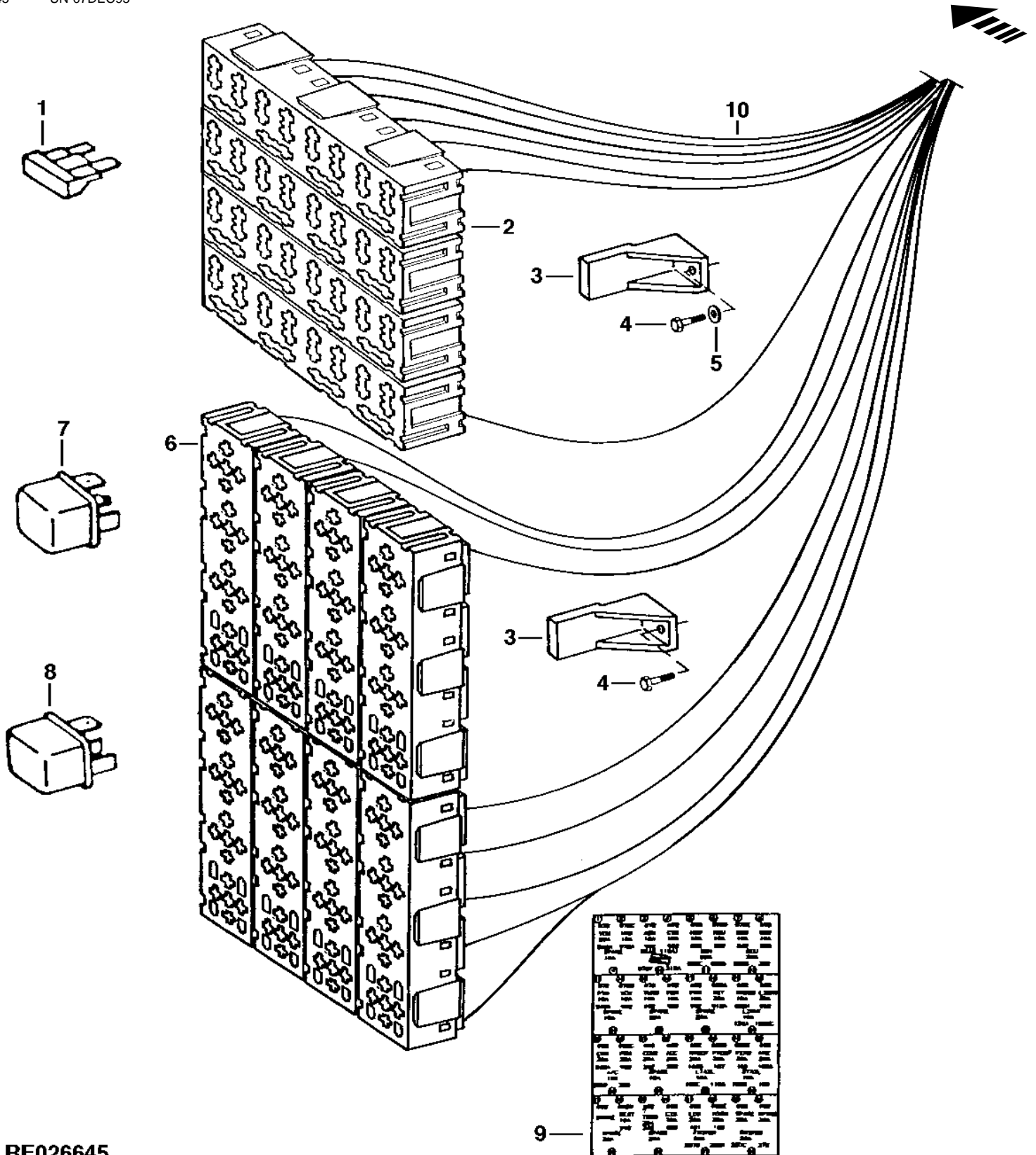
KEY	PART NO.	PART NAME	QTY	TRACTOR SERIAL NO.	A L L	REMARKS
1	57M7254	CONNECTOR	1		X	(ALSO ORDER 57M7289, (2) R104846 AND (2) 57M7258)
2	57M7256	CONNECTOR	1		X	(ALSO ORDER 57M7289, (2) R104919 AND (2) 57M7258)
3	WIRING HARNESS	1		X	(A)
4	RE150545	WIRING HARNESS	1		X	(ALSO ORDER (3) R44302)
5	57M7256	CONNECTOR	1		X	(ALSO ORDER 57M7289, (2) 57M7258 AND (2) R104919)
6	RE150606	SWITCH	1		X	
7	51M7040	O-RING	1		X	
8	RE150663	CONNECTOR	1		X	
9	AL111802	RESERVOIR	1		X	

(A)ENGINE AND CHASSIS
 MOTEUR ET CHASSIS
 MOTOR UND CHASSIS
 MOTORE E TELAIO
 MOTOR Y CHASIS
 MOTOR OCH CHASSI

3F6

ELECTRICAL

LOAD CENTER
POINT D'ALIMENTATION GENERALE
ZENTRALER STROMANSCHLUSSPUNKT
ALIMENTATORE
CENTRO DE CARGA
ELCENTRAL
RE026645 -UN-07DEC95



RE026645

KEY	PART NO.	PART NAME	QTY	TRACTOR SERIAL NO.	A L L	REMARKS
1	57M7121	FUSE	20		X	10 AMP
	57M7120	FUSE	10		X	20 AMP
	57M7146	FUSE	10		X	30 AMP
2	RE43737	TERMINAL BOARD	4		X	
3	RE49726	SUPPORT	8		X	
4	37M7089	SCREW	8		X	
5	24H1325	WASHER	2		X	15/32" X 59/64" X 0.065"
6	RE49724	TERMINAL BOARD	8		X	
7	RE39967	DIODE	2		X	
8	RE68327	RELAY	26		X	(SUB FOR RE48876) 40 AMP
	RE161437	RELAY	1	-019999	X	(K-13 LOCATION ONLY)
	RE68327	RELAY	1	020000-	X	(K-13 LOCATION ONLY)
9	R111807	LABEL	1	-XXXXXX	X	(A) (D)
	R134324	LABEL	1	XXXXXX-	X	(A) (F)
	R111808	LABEL	1	-XXXXXX	X	(B) (D)
	R134325	LABEL	1	XXXXXX-	X	(B) (F)
10	RE60537	CAB WIRING HARNESS	1	-XXXXXX	X	(A) (D) (SUB RE64626, (2) 57M7254, (2) 57M7289, (4) R104846 AND (4) 57M7258)
	RE64626	CAB WIRING HARNESS	1	XXXXXX-XXXXXX	X	(A) (E) (SUB FOR RE60537)
	RE163725	CAB WIRING HARNESS	1	010000-	X	(A) (SUB FOR RE69159, RE158815 OR RE160770)
	RE60538	CAB WIRING HARNESS	1	-XXXXXX	X	(B) (D) (SUB RE64627, (2) 57M7254, (2) 57M7289, (4) R104846 AND (4) 57M7258)
	RE64627	CAB WIRING HARNESS	1	XXXXXX-XXXXXX	X	(B) (E) (SUB FOR RE60538)
	RE158816	CAB WIRING HARNESS	1	010000-	X	(B) (SUB FOR RE69160)
	RE150544	CAB WIRING HARNESS	1	XXXXXX-XXXXXX	X	(C) (F) (SUB RE163725) (8400 ONLY)
	RE163725	CAB WIRING HARNESS	1	XXXXXX-	X	(C) (G) (SUB FOR RE150544, RE158815 OR RE160770) (8400 ONLY)
..	RE71260	WIRING HARNESS	1	-009999	X	(ALSO ORDER RE68327) (USE WITH RE60537 OR RE64626)

(A)NORTH AMERICAN VERSION
 VERSION NORD AMERICAINE
 NORDAMERIKANISCHE
 VERSIONE NORDAMERICANA
 VERSION NORTAMERICANA
 NORDAMERIKANSK VERSION

(B)EUROPEAN VERSION
 VERSION EUROPEENNE
 EUROPAEISCHE AUSFUEHRUNG
 VERSIONE EUROPEA
 VERSION EUROPEA
 EUROPEISK VERSION

(C)UKRAINIAN VERSION
 VERSION UKRAINIENNE
 UKRAINISCHE AUSFUEHRUNG
 VERSIONE PER L'UCRAINA
 VERSION UCRAINIANA
 VERSION FOER UKRAINA

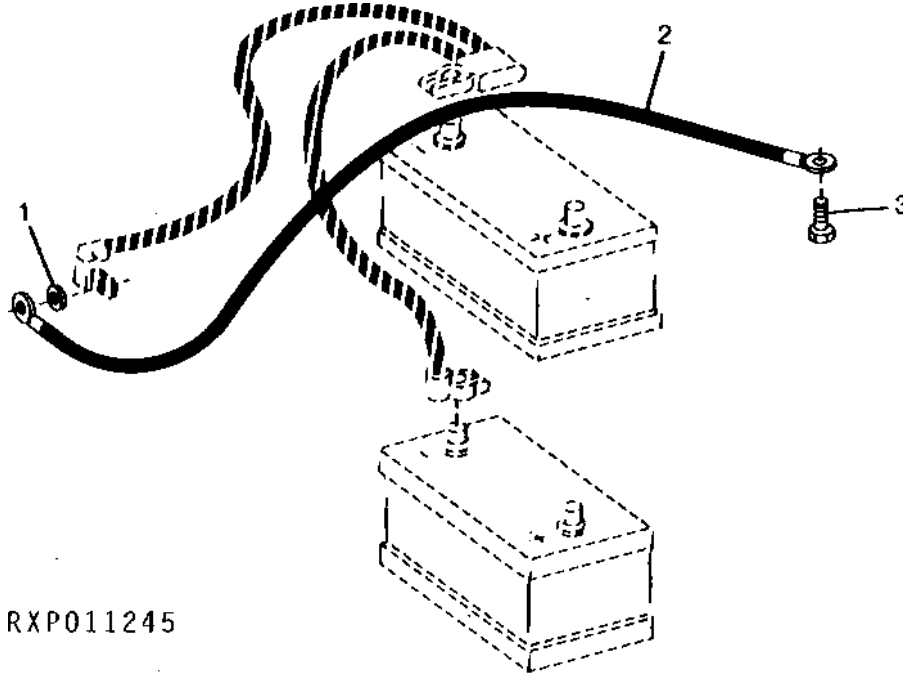
(D)(-XXXXXX)8100-002801;8200-002215;8300-003900;8400-002531
 (E)(XXXXXX-XXXXXX)8100-002802-009999;8200-002216-009999;8300-003901-009999;8400-002532-009999
 (F)(XXXXXX-XXXXXX)8400-011969-023110
 (G)(XXXXXX-)8400-023111

MEMORANDA
MEMORANDA
MEMORANDA
MEMORANDA
MEMORANDA

3F8

ELECTRICAL

CAB AND CHASSIS GROUND CABLE
 CABLE DE MASSE, CABINE ET CHASSIS
 MASSEKABEL, KABINE UND FAHRGESTELL
 FILO DI TERRA DI CABINA E TELAIO
 CABLE A TIERRA DE CABINA Y CHASIS
 JORDKABEL, HYTT OCH CHASSI
 RXP011245 -UN-01JAN94



RXP011245

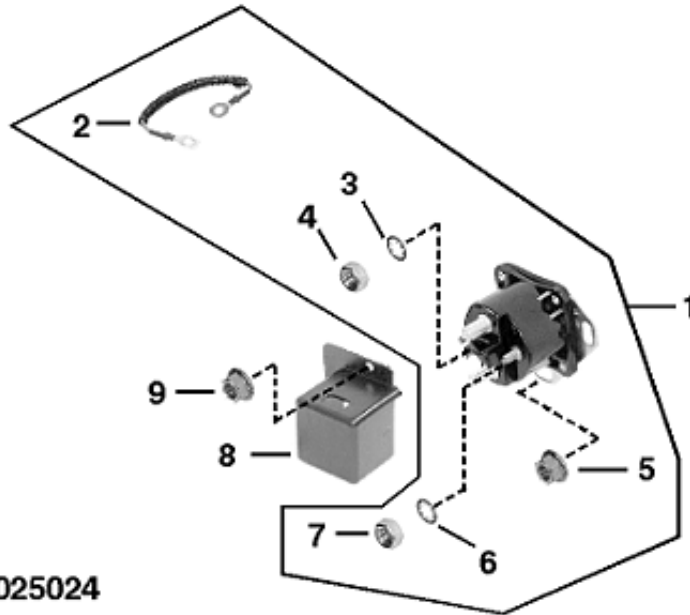
KEY	PART NO.	PART NAME	QTY	TRACTOR SERIAL NO.	A	
					L	REMARKS
1	14M7274	NUT	1		X	M10
2	RE60634	CABLE	1		X	(-)
3	19M7783	SCREW	1		X	M10 X 16, HS 10.9

3F9

ELECTRICAL

STARTING CIRCUIT RELAY
 RELAIS DU CIRCUIT DE MARRAGE
 ANLASSERSTROMKREISRELAY
 INTERRUOTORE CIRCIITO DI ACCENSIONE
 RELE DEL CIRCUITO DE ARRANQUE
 STARTRELAE

RXP025024 -UN-01JAN94



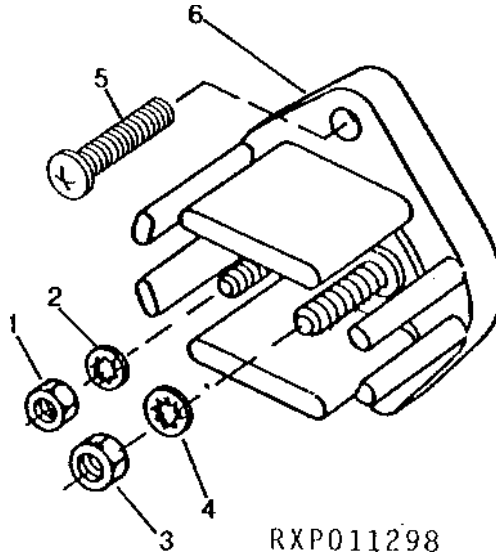
RXP025024

KEY	PART NO.	PART NAME	QTY	TRACTOR SERIAL NO.	A	REMARKS
					L	
1	RE38391	STARTER RELAY	1		X	(MARKED AT68973) INCLUDES (2) R74993
2	WIRING LEAD	1		X	MAKE FROM R65593,R65599 & R32018
3	12M7032	LOCK WASHER	2		X	0.331"
4	14H785	NUT	2		X	5/16"
5	14M7303	FLANGE NUT	2		X	M6
6	12M7060	WASHER	2		X	0.209"
7	14H631	NUT	2		X	0.190"
8	R113164	COVER	1		X	
9	14M7303	FLANGE NUT	2		X	M6

3F10

ELECTRICAL

ELECTRICAL JUNCTION BLOCK
 BLOC DE DERIVATION ELECTRIQUE
 STROMVERTEILERBLOCK
 BLOQUE DE EMPALME ELECTRICO
 BLOCCO DI DERIVAZIONE ELETTRICA
 ELEKTRISK AVGRENINGSDOSA
 RXP011298 -UN-01JAN94

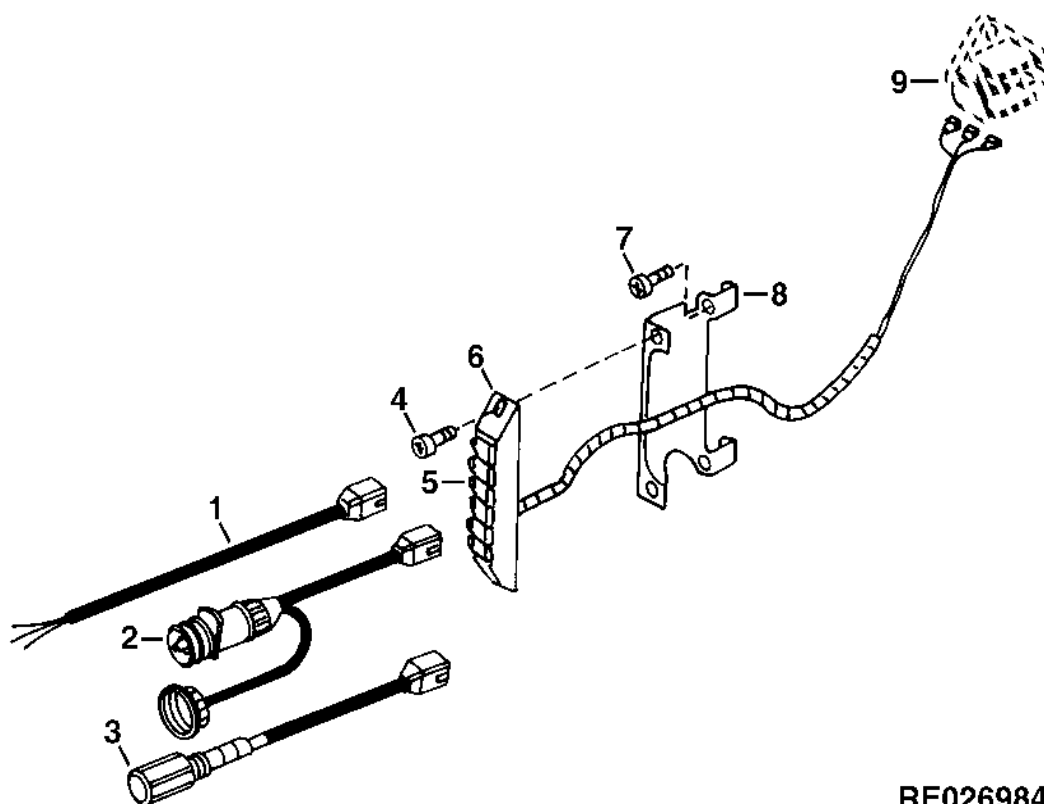


KEY	PART NO.	PART NAME	QTY	TRACTOR SERIAL NO.	A	
					L	REMARKS
1	14H778	NUT	3		X	0.190"
2	12M7060	WASHER	3		X	0.209"
3	14H786	NUT	1		X	1/4"
4	12H297	LOCK WASHER	1		X	1/4"
5	21H1463	CAP SCREW	2		X	0.190" X 7/8"
6	R111931	JUNCTION BLOCK	1		X	

3F11

ELECTRICAL

AUXILIARY POWER STRIP
 MULTIPRISE AUXILAIRS
 ZUSAETZLICHE MEHRFACH-STECKDOSE
 BASETTA AUSILIARIA DI ALIMENTAZIONE
 TIRA DE CONEXION DE ALIMENTACION AUXILIAR
 RESERVUTTAGSPLINT
 RE026984 -UN-06AUG96



RE026984

KEY	PART NO.	PART NAME	QTY	TRACTOR SERIAL NO.	A	REMARKS
					L	
1	RE67013	ADAPTER	1		X	
2	RE67015	ADAPTER	1		X (A)	
	RE67016	ADAPTER	1		X (B)	
3	RE67014	ADAPTER	1		X	
4	37M7090	SCREW	2		X	M6 X 16
5	RE67019	CAP	5		X	
6	RE68495	STRIP	1		X	
7	37M7089	SCREW	3		X	M6 X 12
8	R132150	BRACKET	1		X	
9	R111931	JUNCTION BLOCK	1		X	

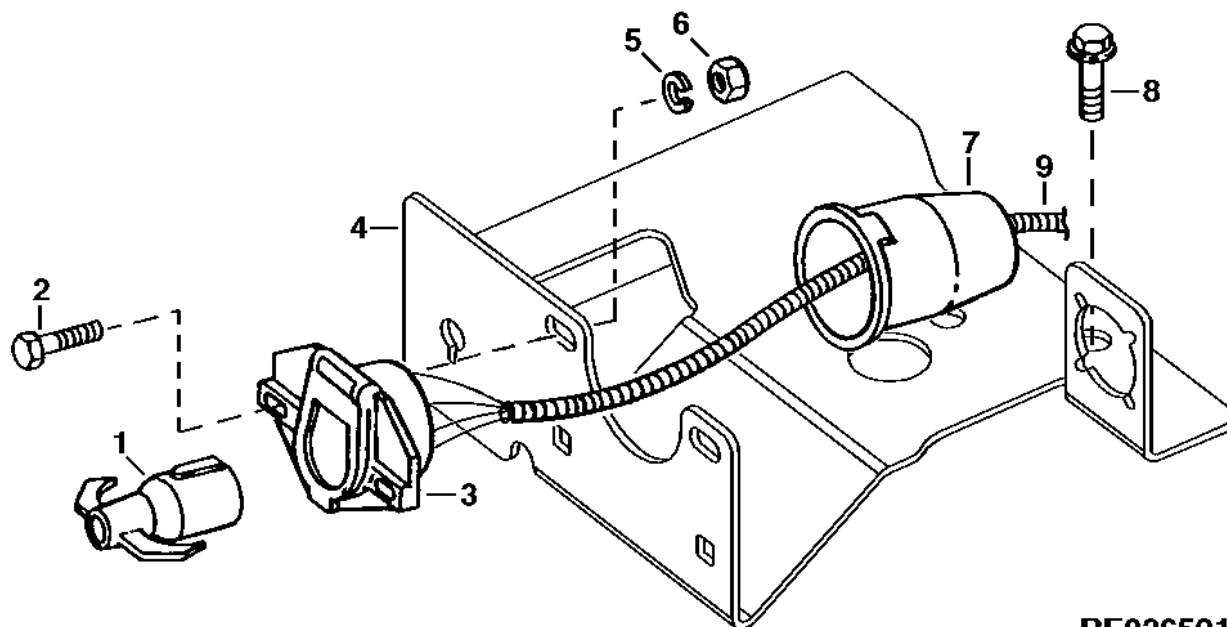
(A)NORTH AMERICAN VERSION
 VERSION NORD AMERICAINE
 NORDAMERIKANISCHE
 VERSIONE NORDAMREICANA
 VERSION NORTEAMERICANA
 NORDAMREIKANSK VERSION

(B)EUROPEAN VERSION
 VERSION EUROPEENNE
 AUSFUEHRUNG EUROPEAEISCHE
 VERSIONE EUROPEA
 VERSION EUROPEA
 EUROPEISK VERSION

3F12

ELECTRICAL

7-TERMINAL ELECTRICAL OUTLET SOCKET (NORTH AMERICAN VERSION)
 PRISE FEMELLE ELECTRIQUE'A 7 COSSES(VERSION NORD AMERICAINE)
 7-STIFT STECKDOSE(NORDAMERIKANISCHE AUSFUEHRUNG)
 MORSETTO PRESA ELETTRICA ESTERNA(VERSIONE NORDAMERICANA)
 CASQUILLO DE TOMA ELECTRICA DE 7 TERMINALES(VERSION NORTEAMERICANA)
 SJUPOLIGT ELEKTRISKT KONTAKTDON(NORDAMERIKANSK VERSION)
 RE026591 -UN-13DEC95



RE026591

KEY	PART NO.	PART NAME	QTY	TRACTOR SERIAL NO.	A L L	REMARKS
1	AH93625	PLUG	1		X	
2	19H1900	CAP SCREW	2		X	5/16" X 3/4"
3	AR75695	SOCKET OUTLET	1		X	
4	RE63638	BRACKET	1		X	(SUB FOR R111975 OR R126536)
	R128894	LABEL	1		X	(SUB FOR R123139, THIS APPLICATION)
5	12H303	LOCK WASHER	2		X	5/16"
6	14H785	NUT	2		X	5/16"
7	R61775	BOOT	1		X	
8	19M8242	SCREW	2		X	HS 10.9
9	RE60537	CAB WIRING HARNESS	1	-XXXXXX	X	(A) (SUB RE64626, (2) 57M7254, (2) 57M7289, (4) R104846 AND (4) 57M7258) (SUB FOR RE69159)
	RE64626	CAB WIRING HARNESS	1	XXXXXX-XXXXXX	X	(B) (SUB FOR RE60537)
	RE163725	CAB WIRING HARNESS	1	100000-	X	(SUB FOR RE69159, RE158815 OR RE160770)

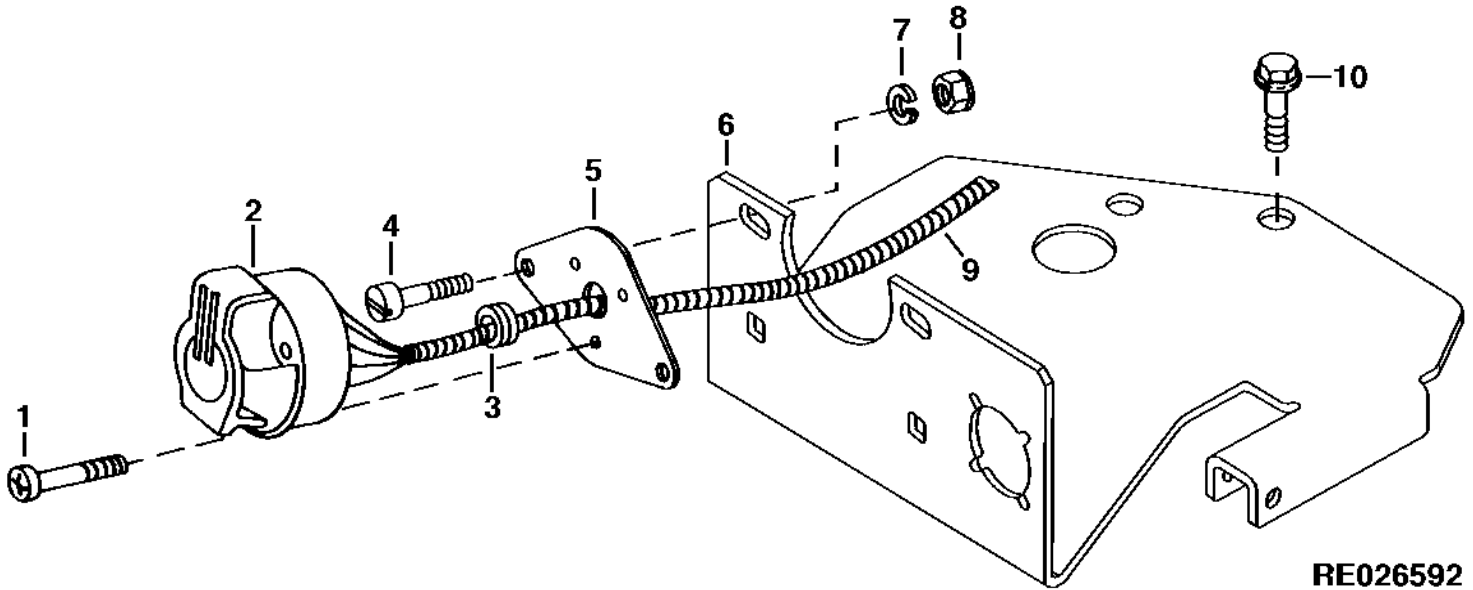
(A) (-XXXXXX)8100-002801;8200-002215;8300-003900;8400-002531

(B) (XXXXXX-XXXXXX)8100-002802-009999;8200-002216-009999;8300-003901-009999;8400-002532-009999

3F13

ELECTRICAL

7-TERMINAL ELECTRICAL OUTLET SOCKET(EUROPEAN VERSION)
 PRISE FEMELLE ELECTRIQUE A 7 COSSE(VERSION EUROPEENNE)
 7-STIFT STECKDOSE(EUROPÄISCHE AUSFUEHRUNG)
 MORSETTO PRESA ELETTRICA ESTERNA(VERSIONE EUROPEA)
 CASQUILLO DE TOMA ELECTRICA DE 7 TERMINALES(VERSION EUROPEA)
 SJUPOLIGT ELEKTRISKT KONTAKTDON(EUROPEISK VERSION)
 RE026592 -UN-13DEC95



KEY	PART NO.	PART NAME	QTY	TRACTOR SERIAL NO.	A		REMARKS
					L	L	
1	37M7077	SCREW	3		X		
2	L83677	SOCKET OUTLET	1		X		
3	R26941	GROMMET	1		X		
4	21H1356	SCREW	2		X		0.190" X 1-1/4"
5	R125964	BRACKET	1		X		
6	R128387	BRACKET	1		X		(SUB FOR R121827 OR R126537)
	R123139	LABEL	1		X		
7	12H246	LOCK WASHER	2		X		0.190"
8	14H778	NUT	2		X		0.190"
9	RE60538	CAB WIRING HARNESS	1	-XXXXXX	X		(A) (SUB RE64627, (2) 57M7254, (2) 57M7289, (4) R104846 AND (4) 57M7258)
	RE64627	CAB WIRING HARNESS	1	XXXXXX-XXXXXX	X		(B) (SUB FOR RE60538)
	RE158816	CAB WIRING HARNESS	1	010000-	X		(SUB FOR RE69160)
10	19M8242	SCREW	2		X		HS 10.9

(A) (-XXXXXX)8100-002801;8200-002215;8300-003900;8400-002531

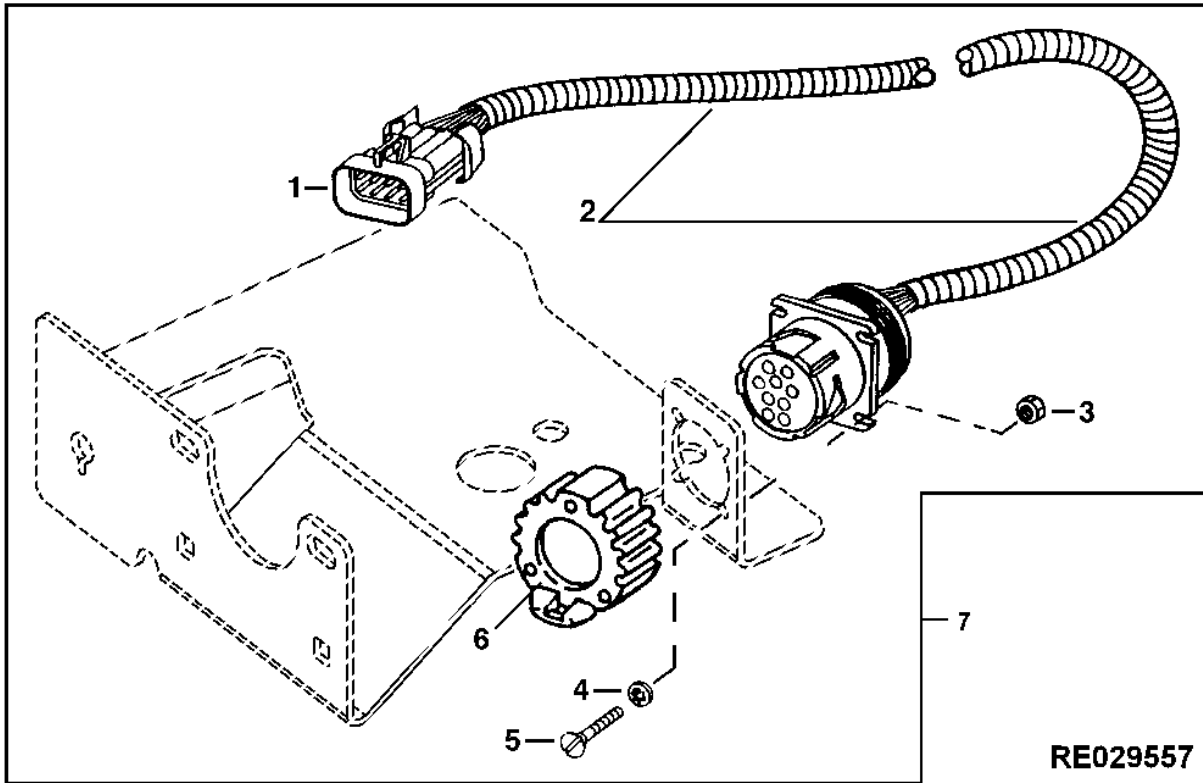
(B) (XXXXXX-XXXXXX)8100-002802-009999;8200-002216-009999;8300-003901-00999;8400-002532-009999

3F14

ELECTRICAL

9-PIN IMPLEMENT FEEDBACK CONNECTOR
 CONNECTEUR DE REACTION D'OUTIL A NEUF BROCHES
 NEUNFACH-ANBAUGERAET-REGELUNGSSTECKER
 CONNECTORE A 9 CONTATTI DI SEGNALAZIONE DELL'ATTREZZO
 CONECTOR DE NUEVE CLAVIJAS DE REALIMENTACION DEL IMPLEMENTO
 NIO-STIFTANSLUTNING FOER REDSKAPSRESPONS

RE029557 -UN-21MAY98



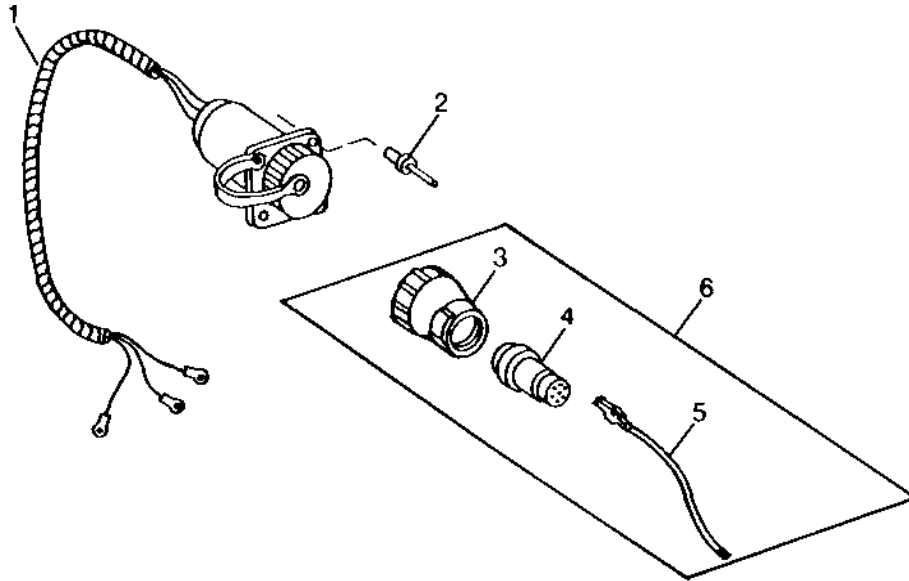
RE029557

KEY	PART NO.	PART NAME	QTY	TRACTOR SERIAL NO.	A L L	REMARKS
1	57M7265	CONNECTOR	1		X	(SUB FOR RE42196) (ALSO ORDER (9) R78066 AND (9) R78063)
2	RE61404	WIRING HARNESS	1		X	
3	14H1000	NUT	4		X	0.112"
4	12H378	LOCK WASHER	4		X	0.112"
5	21H1176	SCREW	4		X	0.112" X 1/2"
6	57M7923	CAP	1		X	
7	RE58827	KIT	1		X	(FI)

3F15

ELECTRICAL

CONVENIENCE OUTLET SOCKET
 PRISE FEMELLE ELECTRIQUE PATIQUE
 ZUSATZSTECKDOSE
 PRESA DI CORRENTE DI EMERGENZA
 CASQUILLO DE TOMA ELECTRICA DE SERVICIO
 UTTAG FOER EXTRA ELUTRUSTNING
 RE026153 -UN-07MAR95



RE026153

KEY	PART NO.	PART NAME	QTY	TRACTOR SERIAL NO.	A		REMARKS
					L	L	
1	RE51091	WIRING HARNESS	1		X		
2	R108166	RIVET	2		X		
3	RE48029	CLAMP	1		X		
4	AE44929	CONNECTOR	1		X		(SUB FOR RE48031)
5	RE48028	WIRING LEAD	3		X		
6	RE37651	PLUG	1		X		
..	R81207	COVER	1		X		(A)

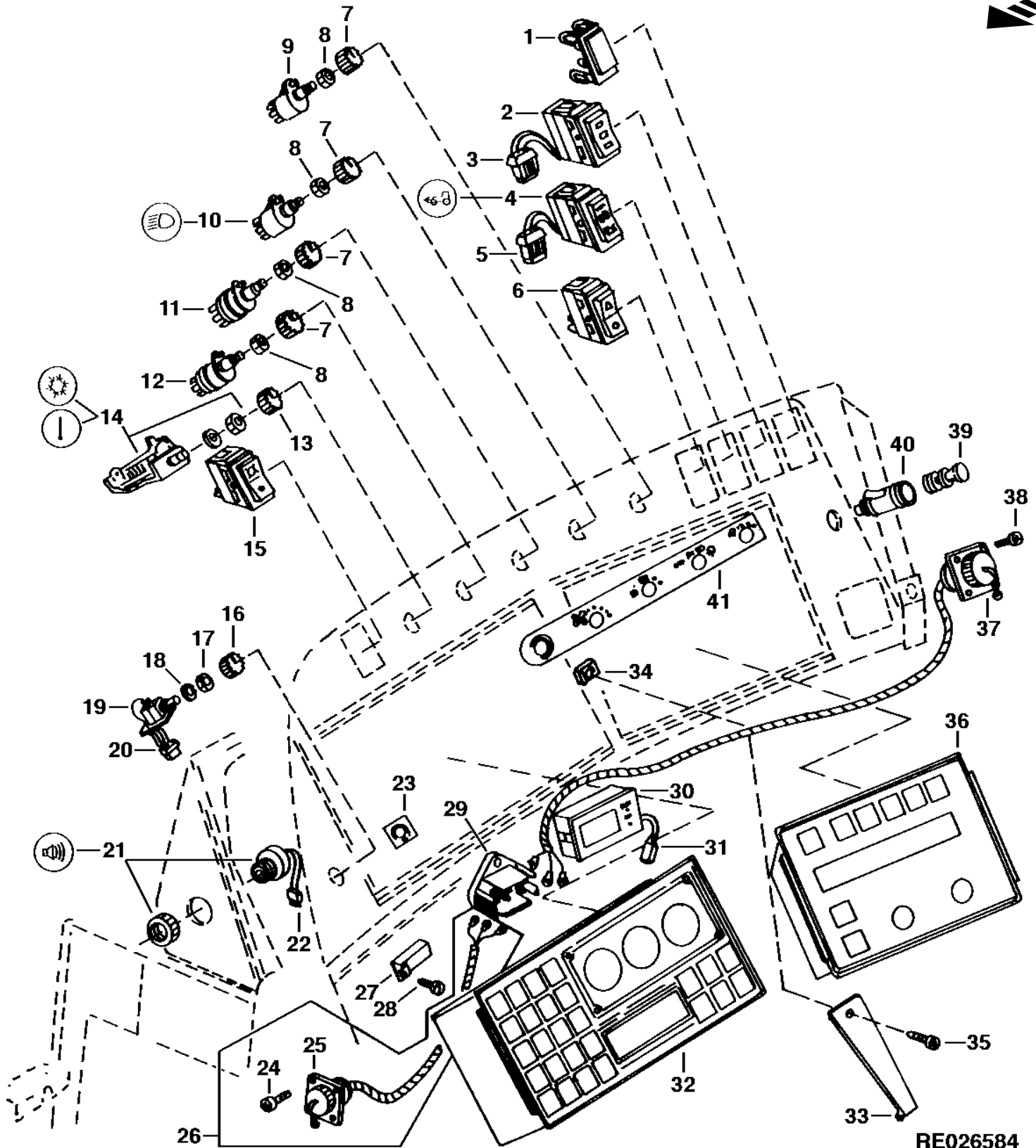
(A)WITH OUT CONVENIENCE OUTLET SOCKET
 SANS PRISE ELECTRIQUE AUXILIARE
 OHNE GERAETEANSCHLUSS
 SENZA PRESA AUSILIARIA
 SIN TOMACORRIENTE AUXILIAR
 UTAN EXTRA STROEMUTTAG

MEMORANDA
MEMORANDA
MEMORANDA
MEMORANDA
MEMORANDA

3F16

ELECTRICAL

CONSOLE CONTROLS AND SWITCHES(8100,8200,8300,8400 -009999)
CONSOLE, COMMANDES ET INTERRUPTEURS(8100,8200,8300,8400 -009999)
KONSOLEN-BEDIENUNGSELEMENTE UND-SCHALTER(8100,8200,8300,8400 -009999)
INTERRUTTORI E COMANDI DELLA CONSOLLE(8100,8200,8300,8400 -009999)
CONTROLES E INTERRUPTORES EN LA CONSOLA(8100,8200,8300,8400 -009999)
KONSOL, REGLAGE OCH KONTAKTER(8100,8200,8300,8400 -009999)
RE026584 -UN-04DEC95



RE026584

3F17

ELECTRICAL

KEY	PART NO.	PART NAME	QTY	TRACTOR SERIAL NO.	A L L	REMARKS
1	M115279	PLUG	1		X	
2	RE55476	WIPER/WASHER SWITCH	1		X	REAR
3	57M7255	CONNECTOR	1		X	(ALSO ORDER (2) R104846, (2) 57M7258 AND 57M7290)
4	RE55477	ROCKER SWITCH	1		X	
5	57M7260	CONNECTOR	1		X	(ALSO ORDER (2) R104846, (2) 57M7258 AND 57M7291)
6	RE55036	HAZARD LIGHTS SWITCH	1		X	
7	AL76568	KNOB	3		X	
8	R44165	LOCK NUT	3		X	
9	AL36529	SWITCH	1		X	(A) (F)
10	AL36529	SWITCH	1		X	
11	RE46717	WIPER/WASHER SWITCH	1		X	FRONT
12	RE43497	BLOWER SWITCH	1		X	
13	AL76568	KNOB	1		X	
14	RE46742	CONTROL	1		X	
	RE58614	CABLE	1		X	
15	RE55478	AC COMPRESSOR SWITCH	1		X	
16	RE152147	KNOB	1		X	(SUB FOR RE57696)
17	R121233	NUT	1		X	
18	R121235	WASHER	1		X	
19	RE62163	POTENTIOMETER	1		X	(B) (SUB FOR RE57697)
20	57M7247	CONNECTOR	1		X	(ALSO ORDER (2) R104846, (2) 57M7258 AND 57M7318)
21	RE49727	HORN	1		X	
22	57M7254	CONNECTOR	1		X	(ALSO ORDER (2) R104846, (2) 57M7258 AND 57M7289)
23	R125138	LABEL	1		X	
24	R108166	RIVET	3		X	
25	RE51091	WIRING HARNESS	1		X	(USE WITH RE37651)
26	AR113048	KIT	1		X (F)	
	R124157	BRACKET	1		X	(ALSO ORDER (2) 37M7089)
27	AL32891	FLASHER	1		X	(A)
28	37M7089	SCREW	1		X	M6 X 12
29	R111931	JUNCTION BLOCK	1		X	
30	AL78989	CLOCK	1		X	(A)
31	57M7244	CONNECTOR	1		X	(ALSO ORDER (2) R104919, (2) 57M7258 AND 57M7318)
32	RE62649	VEHICLE MONITOR	1		X	(C) (D) (SUB FOR RE60476) (INCLUDES R106952) W/RE61185(ICU)
	RE62650	VEHICLE MONITOR	1		X	(C) (E) (SUB FOR RE60927) (INCLUDES R106952) W/O RE61188(ICU)
	RE62651	VEHICLE MONITOR	1		X	(A) (E) (SUB FOR RE60477) (INCLUDES R106952) W/RE61188(ICU)
	RE62652	VEHICLE MONITOR	1		X	(A) (SUB FOR RE60955) (INCLUDES R106952) (ICU)
33	R121810	CLAMP	1		X	
34	R64822	NUT	2		X	
35	37H203	SCREW	2		X	
36	RE64583	DIGITAL DISPLAY	1		X	(SUB FOR RE60928 OR RE63440) (SUP)
37	RE51091	WIRING HARNESS	1		X	(USE WITH RE37651)
38	R108166	RIVET	3		X	
39	AR60937	LIGHTER	1		X	
40	AR56766	HOUSING	1		X	
	R131671	PLUG	1		X	
41	R126010	DECAL	1		X	(A)
	R126009	DECAL	1		X	(C)

(A)EUROPEAN VERSION
VERSION EUROPEENNE
EUROPAEISCHE
VERSIONE EUROPEA
VERSION EUROPEA
EUROPEISK VERSION

(B)FIELD CRUISE
REGULATEUR DE VITESSE
ARBEITSTEMPOREGLER
VELOCITA' DI CROCIERA
CONTROL DE CRUCERO
ARBETSFARTHAALLARE

(C)NORTH AMERICAN VERSION
VERSION NORD AMERICAINE
NORDAMERIKANISCHE
VERSIONE NORDAMERICANA
VERSION NORTEAMERICANA
NORDAMERIKANSK VERSION

(D)DELUXE CAB
CABINE DELUXE
LUXUSKABINE
CABINA DELUXE
CABINA DE LUJO
LYXHYYT

(E)ECONOMY CAB
CABINE ECONOMIE
EINFACHE KABINE
CABINA ECONOMICA
CABINA ECONOMICA
EKONOMIHYTT

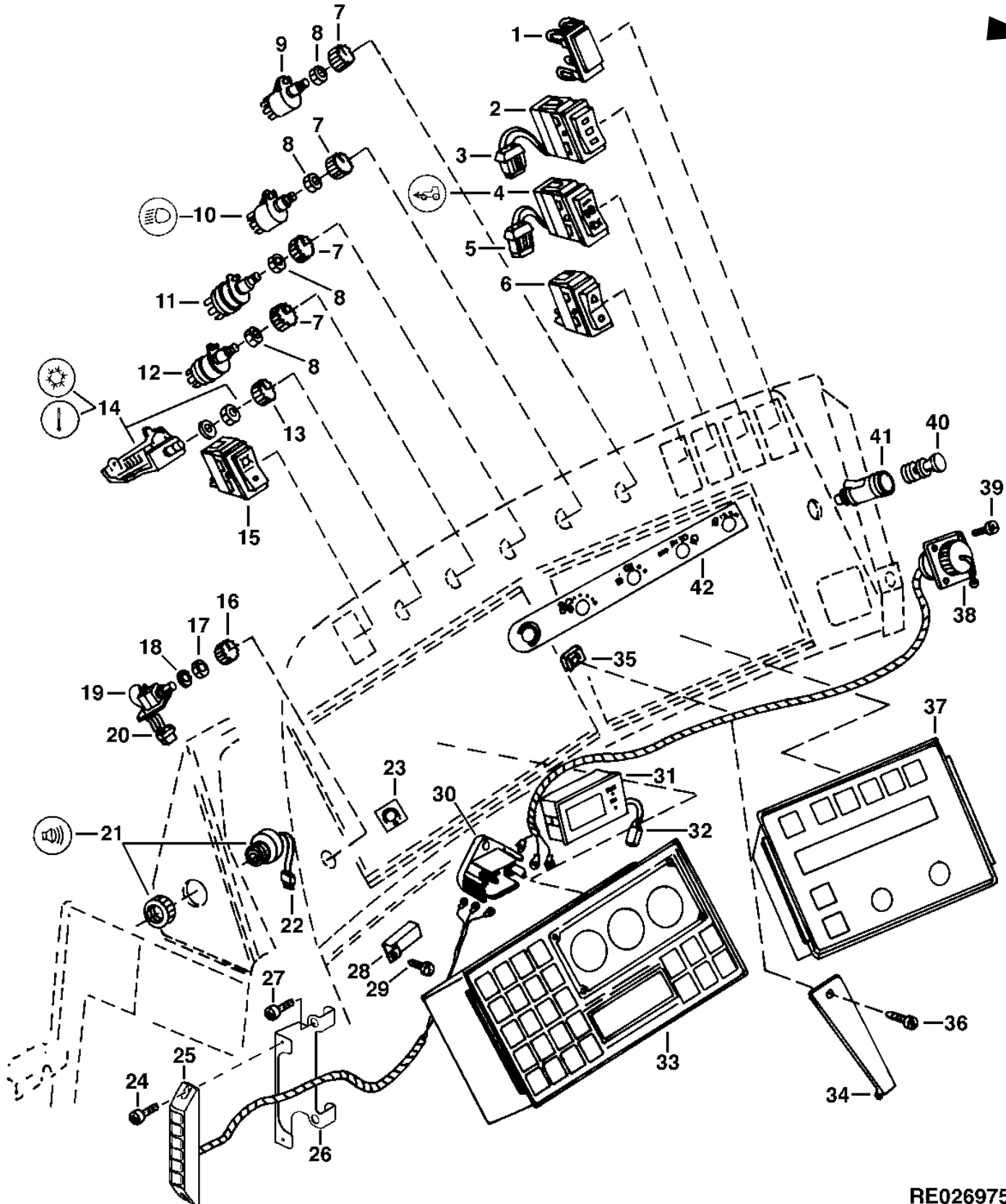
(F)FIELD LIGHT
PROJECTEUR DE TRAVAIL
ARBEITSLICHT
LUCE DI LAVORO
LUZ DE TRABAJO
ARBETSLYKTA

3F18

ELECTRICAL

CONSOLE CONTROLS AND SWITCHES(8100,8200,8300,8400 010000-)
CONSOLE, COMMANDES ET INTERRUPTEURS(8100,8200,8300,8400 010000-)
KONSOLEN-BEDIENUNGSELEMENTE UND-SCHALTER(8100,8200,8300,8400 010000-)
INTERRUTTORI E COMANDI DELLA CONSOLLE(8100,8200,8300,8400 010000-)
CONTROLES E INTERRUPTORES EN LA CONSOLA(8100,8200,8300,8400 010000-)
KONSOL, REGLAGE OCH KONTAKTER(8100,8200,8300,8400 010000-)

RE026975 -UN-30JUL96



RE026975

3F19

ELECTRICAL

KEY	PART NO.	PART NAME	QTY	TRACTOR SERIAL NO.	A L L	REMARKS
1	M115279	PLUG	1		X	
2	RE55476	WIPER/WASHER SWITCH	1		X	REAR
3	57M7255	CONNECTOR	1		X	(ALSO ORDER (2) R104846, (2) 57M7258 AND 57M7290)
4	RE55477	ROCKER SWITCH	1		X	
5	57M7260	CONNECTOR	1		X	(ALSO ORDER (2) R104846, (2) 57M7258 AND 57M7291)
6	RE55036	HAZARD LIGHTS SWITCH	1		X	
7	AL76568	KNOB	3		X	
8	R44165	LOCK NUT	3		X	
9	AL36529	SWITCH	1		X	(A) (F)
10	AL36529	SWITCH	1		X	
11	RE46717	WIPER/WASHER SWITCH	1		X	FRONT
12	RE43497	BLOWER SWITCH	1		X	
13	AL76568	KNOB	1		X	
14	RE46742	CONTROL	1		X	
	RE58614	CABLE	1		X	
	RE55478	AC COMPRESSOR SWITCH	1		X	
16	RE152147	KNOB	1		X	(SUB FOR RE57696)
17	R121233	NUT	1		X	
18	R121235	WASHER	1		X	
19	RE62163	POTENTIOMETER	1		X	(B) (SUB FOR RE57697)
20	57M7247	CONNECTOR	1		X	(ALSO ORDER (2) R104846, (2) 57M7258 AND 57M7318)
21	RE49727	HORN	1		X	
22	57M7254	CONNECTOR	1		X	(ALSO ORDER (2) R104846, (2) 57M7258 AND 57M7289)
23	R125138	LABEL	1		X	
24	37M7090	SCREW	2		X	
25	RE68495	STRIP	1		X	
26	R132150	BRACKET	1		X	
27	37M7089	SCREW	3		X	
28	AL32891	FLASHER	1		X	(A)
29	37M7089	SCREW	1		X	M6 X 12
30	R111931	JUNCTION BLOCK	1		X	
31	AL78989	CLOCK	1		X	(A)
32	57M7244	CONNECTOR	1		X	(ALSO ORDER (2) R104919, (2) 57M7258 AND 57M7318)
33	RE62649	VEHICLE MONITOR	1		X	(C) (D) (SUB FOR RE60476) (INCLUDES R106952) W/RE61185(ICU)
	RE62650	VEHICLE MONITOR	1		X	(C) (E) (SUB FOR RE60927) (INCLUDES R106952) W/O RE61188(ICU)
	RE62651	VEHICLE MONITOR	1		X	(A) (E) (SUB FOR RE60477) (INCLUDES R106952) W/RE61188(ICU)
	RE62652	VEHICLE MONITOR	1		X	(A) (SUB FOR RE60955) (INCLUDES R106952) (ICU)
34	R121810	CLAMP	1		X	
35	R64822	NUT	2		X	
36	37H203	SCREW	2		X	
37	RE64583	DIGITAL DISPLAY	1		X	(SUP)
38	RE51091	WIRING HARNESS	1		X	(USE WITH RE37651)
39	R108166	RIVET	3		X	
40	AR60937	LIGHTER	1		X	
41	AR56766	HOUSING	1		X	
	R131671	PLUG	1		X	
42	R126010	DECAL	1		X	(A)
	R126009	DECAL	1		X	(C)

(A)EUROPEAN VERSION
VERSION EUROPEENNE
EUROPAEISCHE
VERSIONE EUROPEA
VERSION EUROPEA
EUROPEISK VERSION

(B)FIELD CRUISE
REGULATEUR DE VITESSE
ARBEITSTEMPOREGLER
VELOCITA' DI CROCIERA
CONTROL DE CRUCERO
ARBETSFARTHAALLARE

(C)NORTH AMERICAN VERSION
VERSION NORD AMERICAINE
NORDAMERIKANISCHE
VERSIONE NORDAMERICANA
VERSION NORTEAMERICANA
NORDAMERIKANSK VERSION

(D)DELUXE CAB
CABINE DELUXE
LUXUSKABINE
CABINA DELUXE
CABINA DE LUJO
LYXHYYT

(E)ECONOMY CAB
CABINE ECONOMIE
EINFACHE KABINE
CABINA ECONOMICA
CABINA ECONOMICA
EKONOMIHYTT

(F)FIELD LIGHT
PROJECTEUR DE TRAVAIL
ARBEITSLICHT
LUCE DI LAVORO
LUZ DE TRABAJO
ARBETSLYKTA

INSTRUMENT CONTROL UNIT(ICU) AND SCV SETUP PANEL(SUP)

UNITE DE COMMANDE DE TABLEAU DE BORD ET PANNEAU DE PREPARATION DE DISTRIBUTEUR SELECTIF

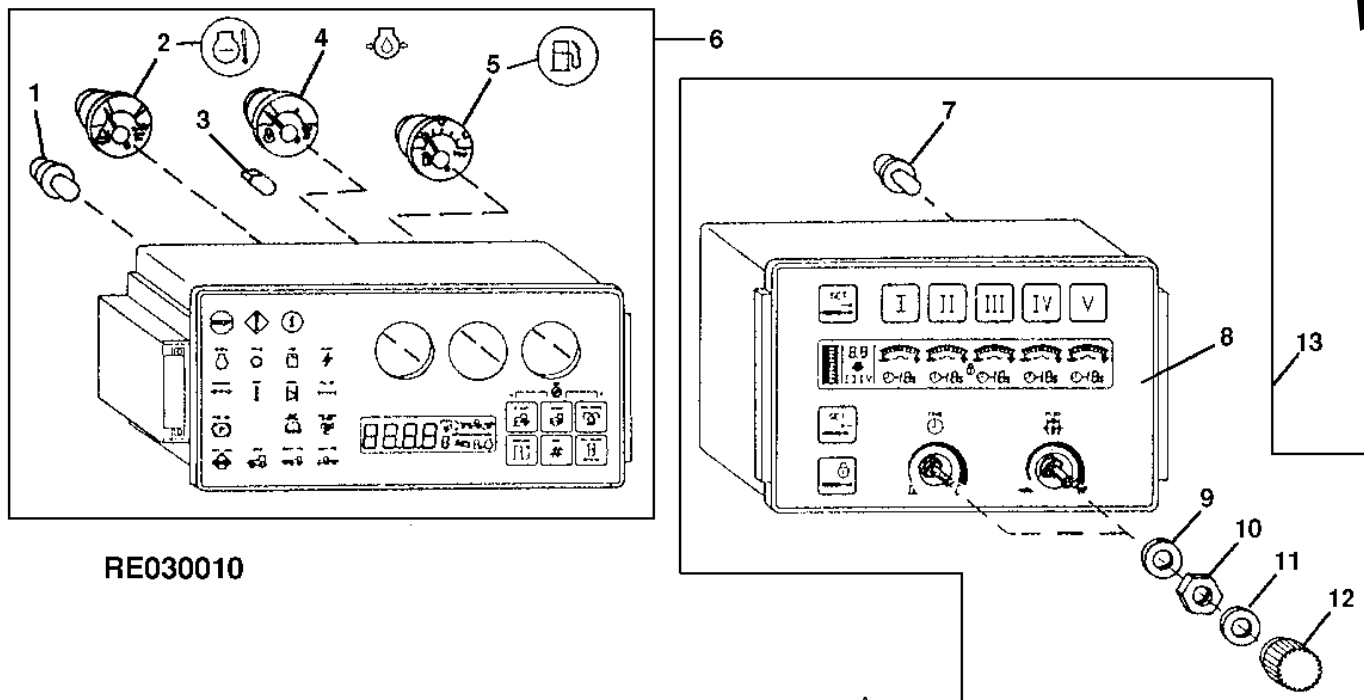
INSTRUMENTEN-STEUREINHEIT UND ZUSATZSTUERGERAET-VORBEREITUNGS-BEDIENUNGSFELD

UNITA'DI CONTROLLO DEGLI STRUMENTI E PANNELLO DI APPRONTAMENTO DEI DISTRIBUTORI IDRAULICI

UNIDAD DE CONTROL DE INSTRUMENTOS Y PANEL DE PREPARACION DE LA VCS

INSTRUMENTSTYRENHET OCH FOERBEREDNINGSPANEL FOER SMV

RE030010 -UN-28SEP98



RE030010

KEY	PART NO.	PART NAME	QTY	CAB SERIAL NO.	A L L	REMARKS
1	R107890	BULB	23		X	(PC37)
2	RE61186	GAUGE	1		X	(A)
	RE61189	GAUGE	1		X	(B)
3	AA27536	BULB	2		X	
4	RE61188	GAUGE	1		X	(B) (D) (ALSO ORDER RE56009)
	RE61185	GAUGE	1		X	(A) (D) (ALSO ORDER RE56009)
5	RE61184	GAUGE	1		X	(A)
	RE61187	GAUGE	1		X	(B)
6	RE62649	VEHICLE MONITOR	1		X	(A) (D) (SUB FOR RE60476) (INCLUDES R106952) (ICU)
	RE62650	VEHICLE MONITOR	1		X	(A) (C) (SUB FOR RE60927) (INCLUDES R106952) W/O RE61185(ICU)
	RE62651	VEHICLE MONITOR	1		X	(B) (C) (SUB FOR RE60477) (INCLUDES R106952) W/O RE61188(ICU)
	RE62652	VEHICLE MONITOR	1		X	(B) (D) (SUB FOR RE60955) (INCLUDES R106952) (ICU)
7	R107890	BULB	5		X	(PC37)
8	R107357	PANEL	1		X	
9	R121798	WASHER	2		X	
10	R121797	NUT	2		X	
11	R121796	WASHER	2		X	
12	R120432	KNOB	2		X	
13	RE64583	DIGITAL DISPLAY	1		X	(SUB FOR RE60928 OR RE63440) (SUP)

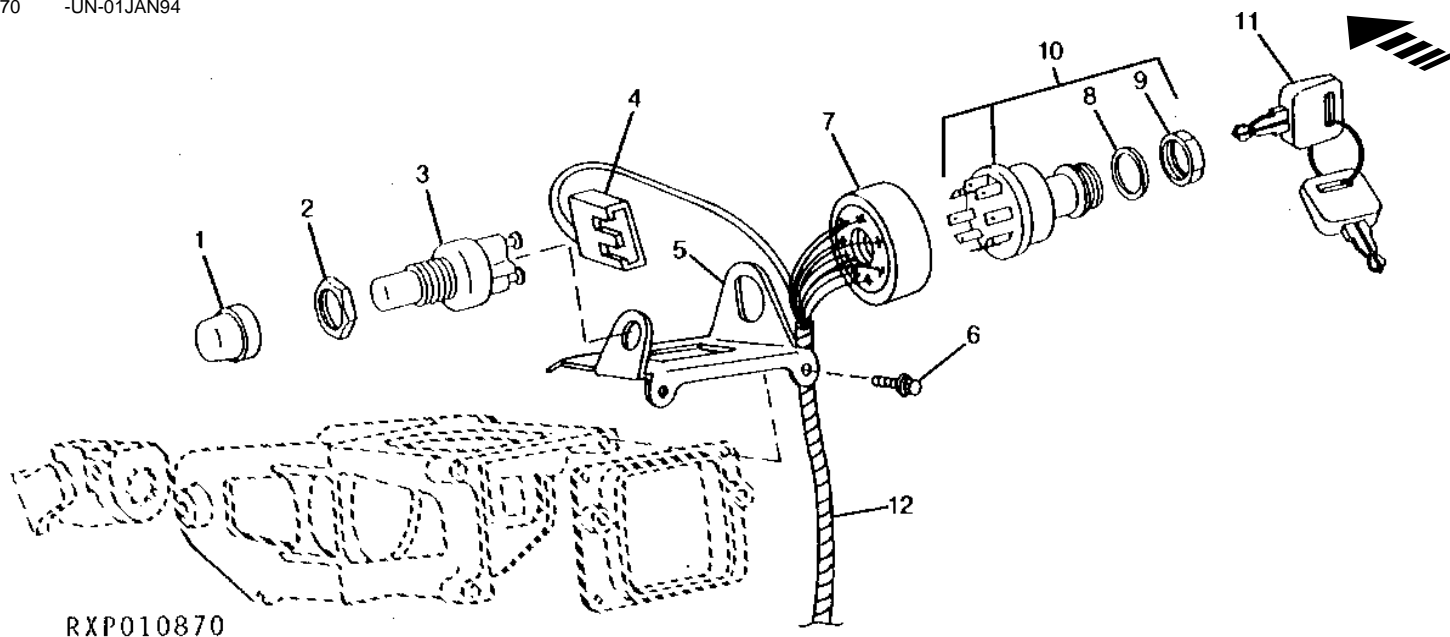
(A)NORTH AMERICAN VERSION
VERSION NORD AMERICAINE
NORDAMERIKANISCHE
VERSIONE NORDAMERICANA
VERSION NORTEAMERICANA
NORDAMERIKANSK VERSION

(B)EUROPEAN VERSION
VERSION EUROPEENNE
EUROPAEISCHE AUSFUEHRUNG
VERSIONE EUROPEA
VERSION EUROPEA
EUROPEISK VERSION

(C)ECONOMY CAB
CABINE ECONOMIE
EINFACHE KABINE
CABINA ECONOMICA
CABINA ECONOMICA
EKONOMIHYTT

(D)DELUXE CAB
CABINE DELUXE
LUXUSKABINE
CABINA DELUXE
CABINA DE LUJO
LYXHYYT

KEY AND ETHER AID SWITCHES
 CONTACTEUR A CLE ET INTERRUPTEUR D'AIDE AU DEMARRAGE A L'ETHER
 ZUNDSCHALTER UND STAATHILFESCHALTER
 INTERRUPTORE A CHIVE E PULSANTE DI AVVIAMENTO AD ETERE
 INTERRUPTORES DE LLAVE Y DEL AUXILIAR DE ARRANQUE CON ETER
 TAENDLAAS OCH ETERSTARHJAELPKONTAKT
 RXP010870 -UN-01JAN94



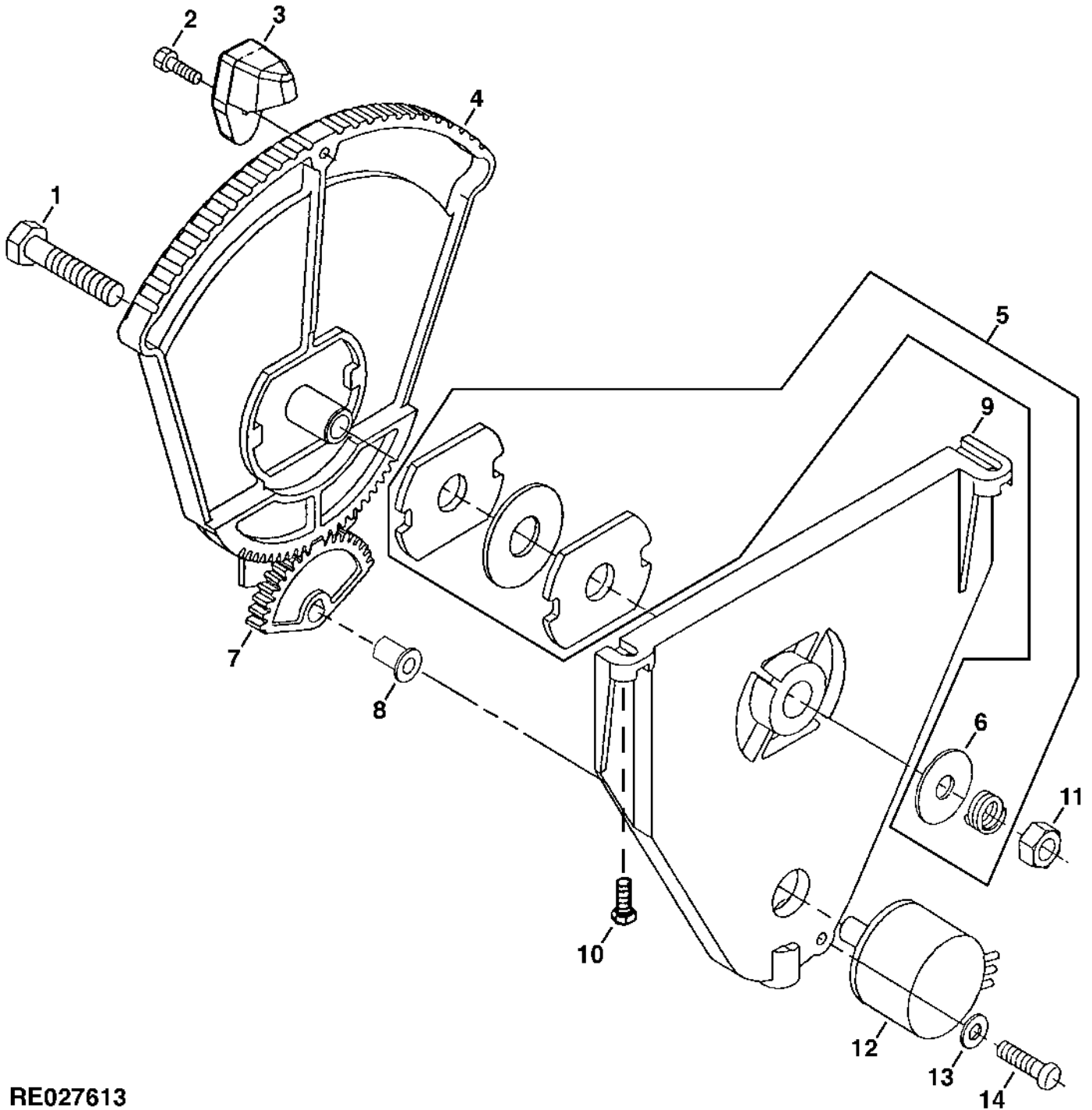
RXP010870

KEY	PART NO.	PART NAME	QTY	TRACTOR SERIAL NO.	A L L	REMARKS
1	T55585	CAP	1		X	
2	T15969	NUT	1		X	15.875 MM
3	R39554	SWITCH	1		X	
4	R77480	CONNECTOR	1		X	(ALSO ORDER (2) U46662)
5	R107598	BRACKET	1		X	
6	19M7775	SCREW	2		X	M6 X 16
7	RE46736	CONNECTOR	1		X	(ALSO ORDER (3) 57M7429, (3) 57M7511 AND 57M7512)
8	A4827R	WASHER	1		X	
9	R44342	NUT	1		X	
10	RE61717	KEY SWITCH	1		X	
11	RE71557	KEY	1		X	(SUB FOR RE43492)
12	CAB WIRING HARNESS	1		X	

3F22

ELECTRICAL

ENGINE SPEED CONTROL (ARMREST)
COMMANDE DE REGIME NOTEUR (ACCOUDOIR)
MOTORDREHZAHLSSTEUERUNG (ARMLEHNE)
CONTROLLO DEL REGIME DEL MOTORE (A BRACCIOLO)
CONTROL DE VELOCIDAD DEL MOTOR (APOYABRAZOS)
MOTORVARVTALSREGLAGE (ARMSTOED)
RE027613 -UN-22JAN97



RE027613

3F23

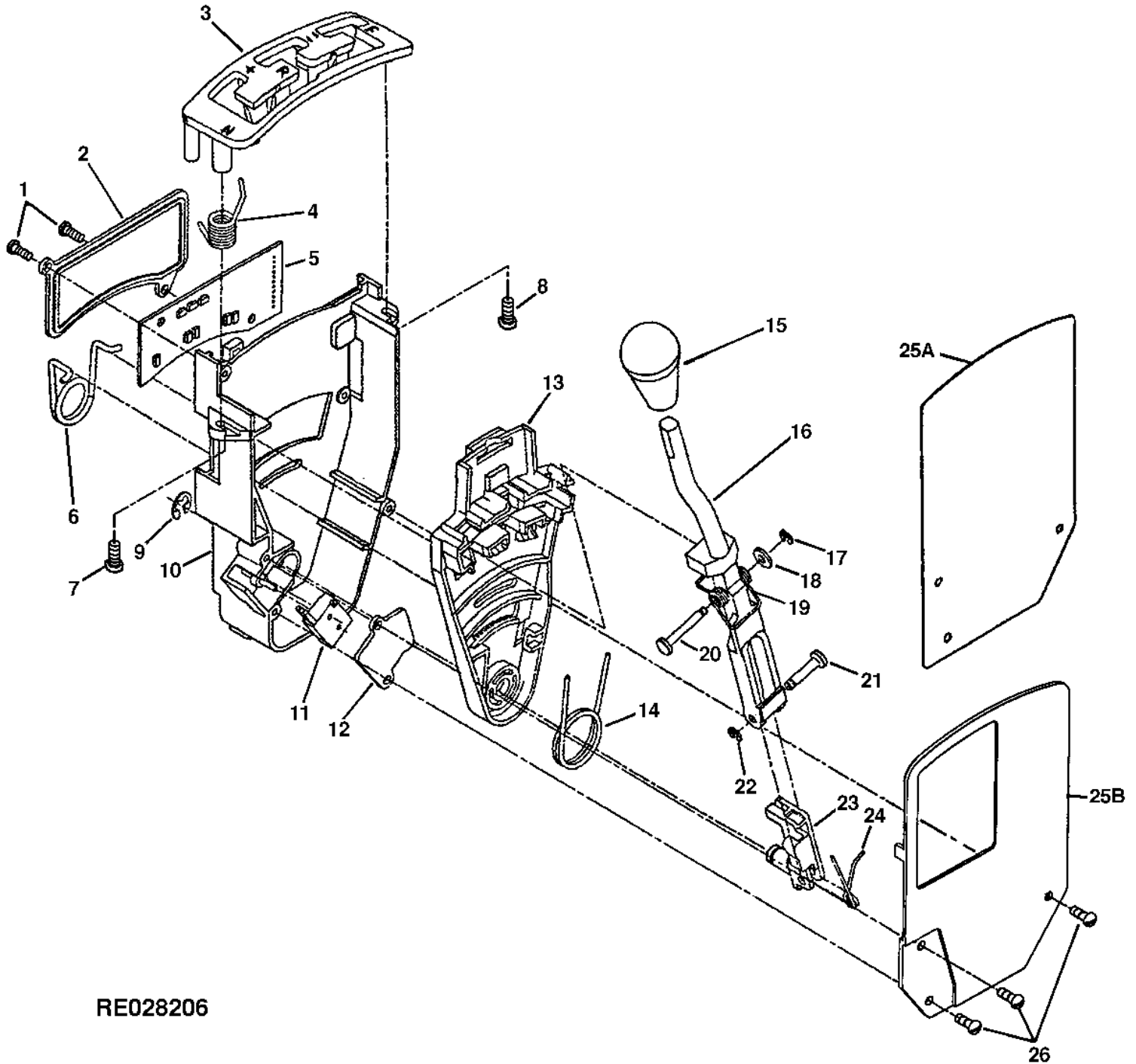
ELECTRICAL

KEY	PART NO.	PART NAME	QTY	TRACTOR SERIAL NO.	A L L	REMARKS
1	19M7874	CAP SCREW	1		X	M6 X 30
2	19M8825	SCREW	1		X	M3 X 10
3	R153185	KNOB	1		X	(SUB FOR R121922)
4	R110682	LEVER	1		X	
5	RE68290	KIT	1		X	
6	R112513	WASHER	1		X	
7	R129518	GEAR	1		X	(SUB FOR R107629)
8	R118453	CLIP	1		X	
9	R124812	BRACKET	1		X	
10	H111706	SCREW	1		X	
11	14M7165	LOCK NUT	1		X	M6
12	RE56400	CONTROL	1		X	
13	24M7117	WASHER	1		X	4.300 X 9 X 0.800 MM
14	H111706	SCREW	1		X	

3F24

ELECTRICAL

TRANSMISSION CONTROL SELECTOR (ARMREST)
SELECTEUR DE COMMANDE DE LA TRANSMISSION (ACCOUDOIR)
GETRIEBE-WAEHLSCHALTER (ARMLEHNE)
SELETTORE DELLA TRASMISSIONE (A BRACCOILO)
SELECTOR DE CONTROL DE LA TRANSMISION (APOYABRAZOS)
TRANSMISSIONSREGLAGE (ARMSTOED)
RE028206 -UN-06AUG97



RE028206

KEY	PART NO.	PART NAME	QTY	TRACTOR SERIAL NO.	A L L	REMARKS
1	R113246	SCREW	2		X	
2	R107588	COVER	1		X	
3	R121915	GUIDE	1		X	
4	R124712	SPRING	1		X	
5	RE62561	TRANSMISSION CONTROLLER	1	-XXXXXX	X	(B) (SUB RE71084, RE63687 AND R127879) (ACU)
	RE63007	TRANSMISSION CONTROLLER	1	XXXXXX-XXXXXX	X	(C) (SUB RE71084, RE63687 AND R127879) (ACU)
	RE65126	TRANSMISSION CONTROLLER	1	XXXXXX-XXXXXX	X	(D) (SUB RE71084) (SUB FOR RE64012) (ACU)
	RE71084	TRANSMISSION CONTROLLER	1	XXXXXX-	X	(E) (SUB FOR RE62561, RE63007, RE64012 OR RE65126) (ACU)
6	R124241	SPRING	1		X	
7	21M7276	SCREW	1		X	M4 X 30
8	21M7216	SCREW	1		X	M4 X 20
9	R72654	SNAP RING	1		X	
10	R125873	BRACKET	1	-XXXXXX	X	(F)
	R127879	BRACKET	1	XXXXXX-	X	(E) (SUB R127879, RE63687 AND RE64012)
11	RE56362	SWITCH	1		X	(A) (SUB FOR R125873)
12	R121920	COVER	1	-XXXXXX	X	(G) A
13	RE60319	SECTOR	1	-XXXXXX	X	(I) (SUB R127849)
	RE62399	SECTOR	1	XXXXXX-XXXXXX	X	(J) (SUB RE71084, RE63687 AND R127879)
	RE63687	SECTOR	1	XXXXXX-	X	(E)
14	R107583	EXTENSION SPRING	1		X	(SUB FOR RE60319 OR RE62399)
15	R153184	KNOB	1		X	(SUB FOR R107583 OR R121917)
16	RE58224	LEVER	1	-XXXXXX	X	(K) (SUB RE62778)
	RE62778	LEVER	1	XXXXXX-	X	(L)
17	R40687	SNAP RING	1		X	L
18	24M7117	WASHER	1		X	0.169" X 0.354" X 0.031"
19	R134449	SPRING	1		X	
20	R121919	PIN	1		X	(SUB FOR R107628)
21	R121918	PIN	1		X	
22	R40687	SNAP RING	1		X	
23	R123999	PIVOT	1		X	
24	R124711	SPRING	1		X	
25A	R124274	COVER	1	-XXXXXX	X	(G)
25B	R127849	COVER	1	XXXXXX-	X	(H)
26	R113246	SCREW	3		X	(SUB FOR R121920 AND R124274)

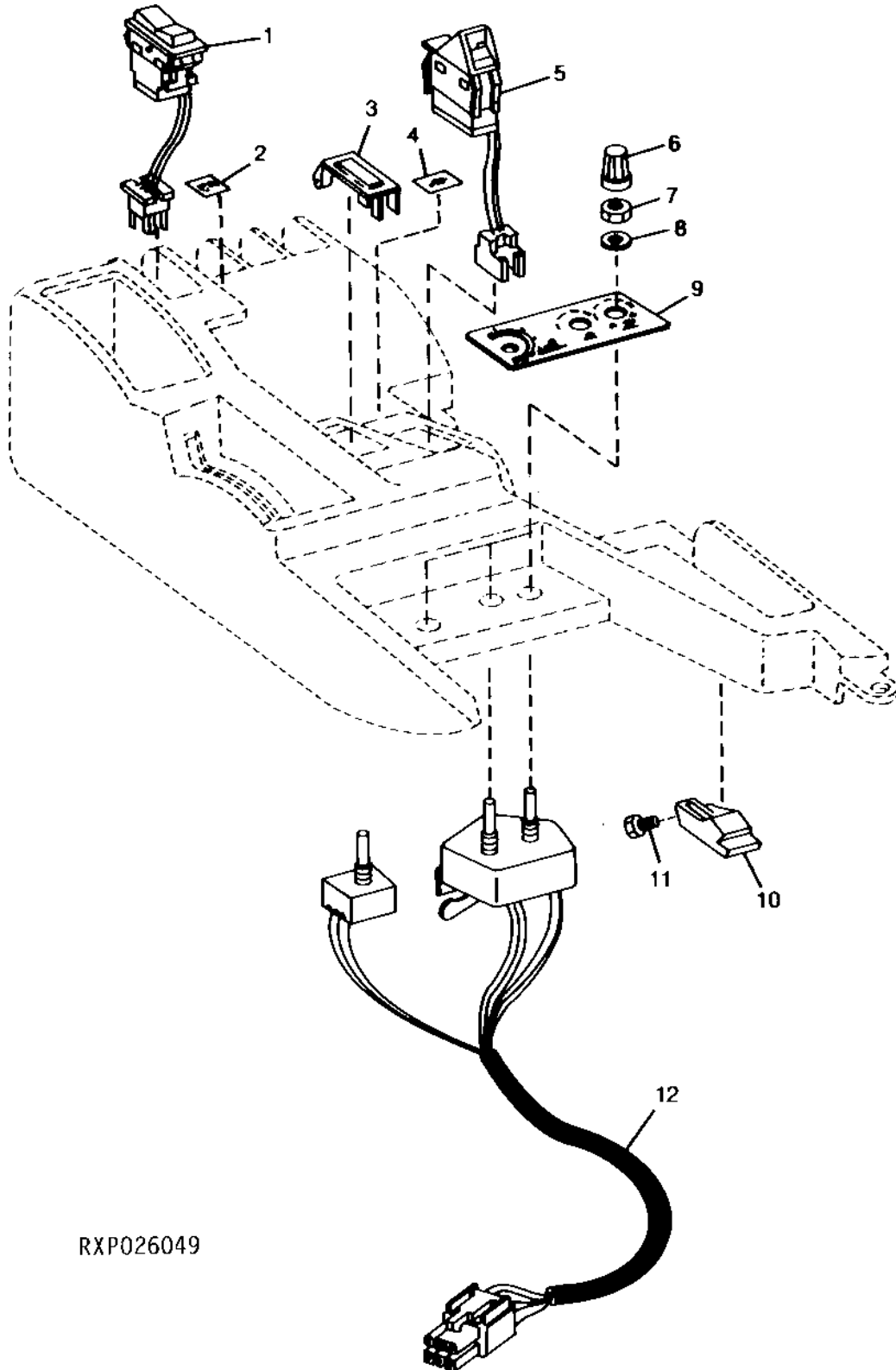
(A)NEUTRAL START
 DEMARRAGE AU POINT MORT
 ANLASSICHERUNG
 AVVIAMENTO IN FOLLE
 ARRANQUE EN PUNTO MUERTO
 START I NEUTRALLAEGE

(B)(-XXXXXX) 8100-1707;8200-001604;8300-002820;8400-001419
 (C)(XXXXXX-XXXXXX) 8100-001708-002560;8200-001605-002089;8300-002821-003675;8400-001420-002439
 (D)(XXXXXX-XXXXXX) 8100-002561-009999;8200-002090-009999;8300-003676-009999;8400-002440-009999
 (E)(XXXXXX-) 8100-010000;8200-010000;8300-010000;8400-010000
 (F)(-XXXXXX) 8100-002560;8200-002089;8300-003675;8400-002439
 (G)(-XXXXXX) 8100-001198;8200-001208;8300-001711;8400-001068
 (H)(XXXXXX-) 8100-001199;8200-001209;8300-001712;8400-001069
 (I)(-XXXXXX) 8100-001153;8200-001155;8300-001527;8400-001065
 (J)(XXXXXX-XXXXXX) 8100-001154-002560;8200-001156-002089;8300-001528-003675;8400-001066-002439
 (K)(-XXXXXX) 8100-001599;8200-001543;8300-002684;8400-001250
 (L)(XXXXXX-) 8100-001600-8200-001544;8300-002685;8400-001251

3G1

ELECTRICAL

ARMREST ELECTRICAL COMPONENTS
COMPOSANTS ELECTRIQUES D'ACCOURDOIR
ELEKTRISCHE KOMPONENTEN D.ARMSTUETZE
COMPONENTI ELETTRICI DEL BRACCIOLO
COMPONENTES ELECTRICOS DEL APOYABRAZOS
ELKOMPONENTER I ARMSTOED
RXP026049 -UN-07MAR95



RXP026049

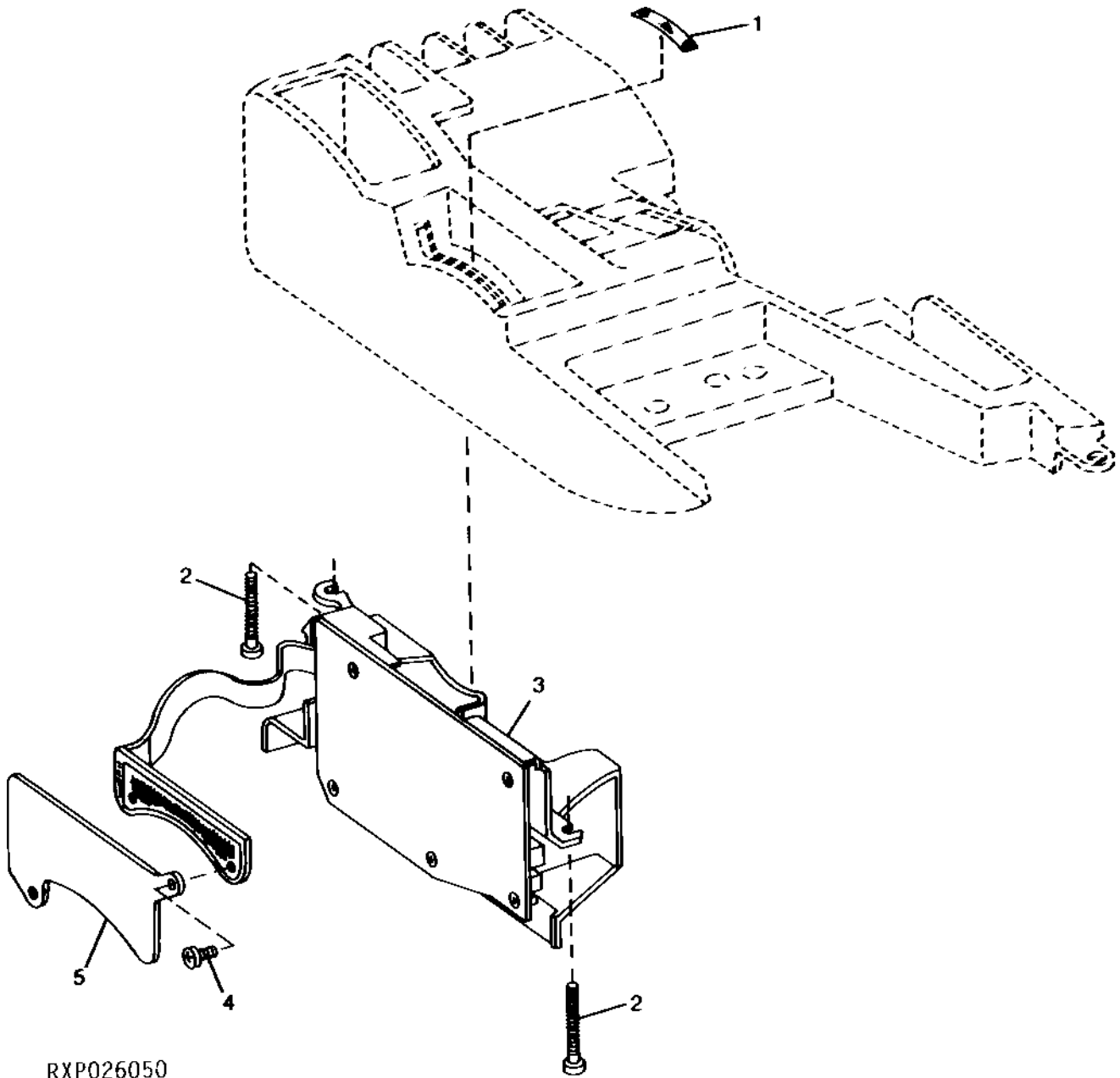
KEY	PART NO.	PART NAME	QTY	TRACTOR SERIAL NO.	A L L	REMARKS
1	RE60586	ROCKER SWITCH	1		X	(A)
	N202894	PLUG	1		X	(B)
2	R133058	LABEL	1		X	(SUB FOR R126468)
3	M115279	PLUG	1		X	
4	R133057	LABEL	1		X	(SUB FOR R126467)
5	RE160963	SWITCH	1		X	(C) (SUB FOR RE60587 OR RE154488)
6	RE49639	KNOB	3		X	
7	R121233	NUT	3		X	
8	R121235	WASHER	3		X	
9	R124530	LABEL	1		X	
10	R107562	COVER	1		X	
11	PT11362	SCREW	1		X	
12	RE64278	WIRING HARNESS	1		X	(SUB FOR RE56773)
	R44302	TIE BAND	1		X	

(A)HITCH RAISE/LOWER
 ATTELAGE,RELEVAGE ET ABAISSEMENT
 ANHAENGEVORRICHTUNG HEBEN/SENKEN
 SOLLEVATORE,SOLLEVAMENTO/ABBASSAMENTO
 ELEVAR/BAJAR ENGANCHE
 LYFT,HOEJ/SAENK

(B)W/O HITCH
 W/O ATTELAGE
 W/O ANHAENGEVOPPICHTUNG
 W/O ATTACCO
 W/O ENGANCHE
 W/O DRAG

(C)REAR PTO
 PDF ARRIERE
 HINTERE ZAPFWELLE
 PTO POSTERIORE
 TDF TRASERA
 BAKRE KRAFTUTTAG

ARMREST CONTROLLER UNIT(ACU)
 ACCOUDOIR, UNTIE DE COMMANDE (ACU)
 ARMLEHNE-STEUERUNGSEINHEIT (ACU)
 UNITA'DEL REGOLATORE DEL BRACCIOLO (ACU)
 UNIDAD DE CONTROL EN EL APOYABRAZOS (ACU)
 ARMSTOED, STYRENHET (ACU)
 RXP026050 -UN-07MAR95



3G4

ELECTRICAL

KEY	PART NO.	PART NAME	QTY	TRACTOR SERIAL NO.	A L L	REMARKS
1	R126466	LABEL	1		X	
2	R115850	SCREW	2		X	
3	RE62561	TRANSMISSION CONTROLLER	1	-XXXXXX	X	(A) (SUB RE71084, RE63687 AND R127879)
	RE63007	TRANSMISSION CONTROLLER	1	XXXXXX-XXXXXX	X	(B) (SUB RE71084, RE63687 AND R127879)
	RE65126	TRANSMISSION CONTROLLER	1	XXXXXX-XXXXXX	X	(C) (SUB RE71084) (SUB FOR RE64012)
	RE71084	TRANSMISSION CONTROLLER	1	XXXXXX-	X	(D) (SUB FOR RE62561, RE63007, RE64012 OR RE65126)
4	R113246	SCREW	2		X	
5	R107588	COVER	1		X	

(A) (-XXXXXX)8100-001707;8200-001604;8300-002820;8400-001419

(B) (XXXXXX-XXXXXX)8100-001708-002560;8200-001605-002089;8300-002821-003675;8400-001420-002439

(C) (XXXXXX-XXXXXX)8100-002561-009999;8200-002090-009999;8300-003676-009999;8400-002440-009999

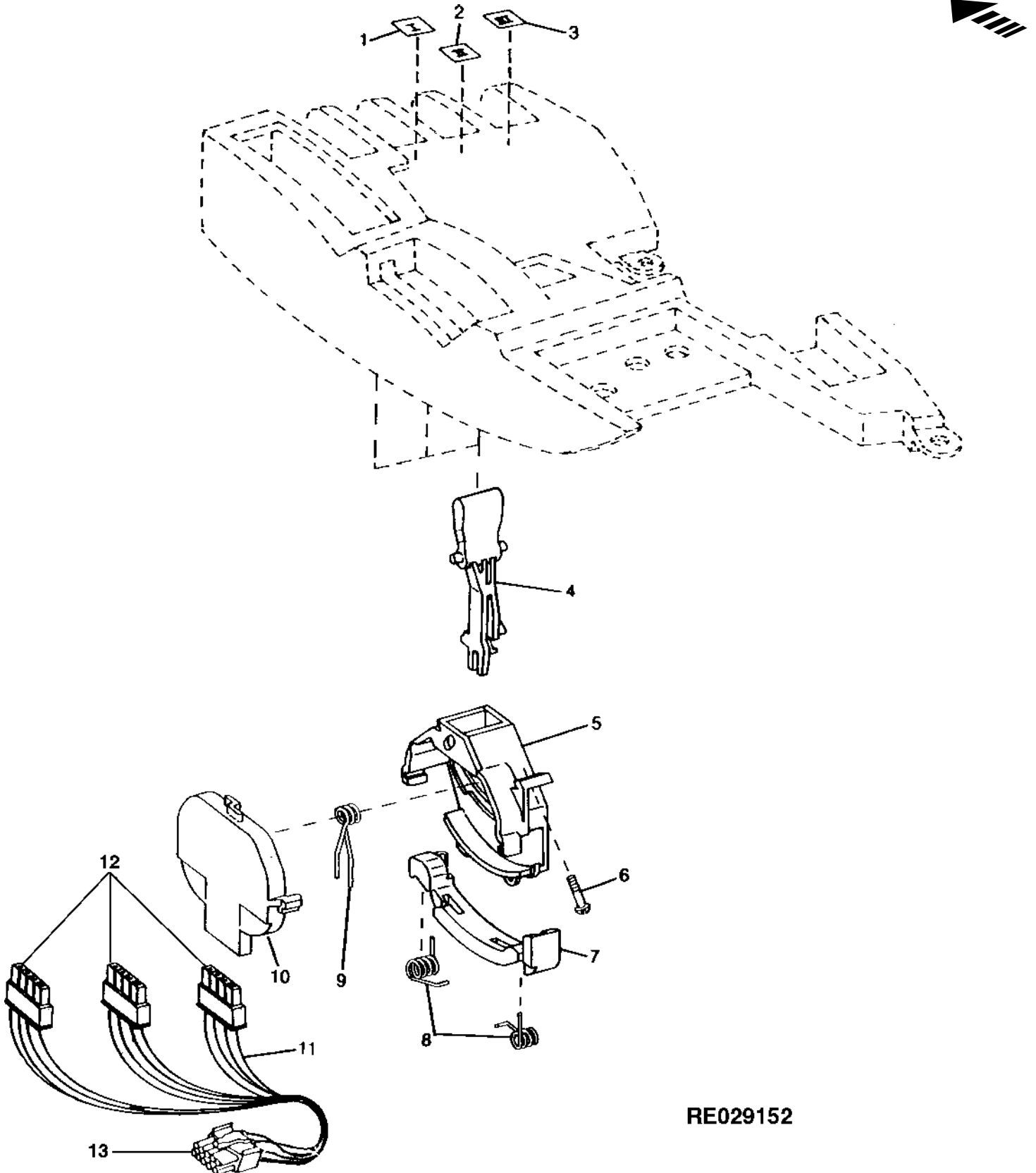
(D) (XXXXXX-)8100-010000;8200-010000;8300-010000;8400-010000

3G5

ELECTRICAL

SELECTIVE CONTROL LEVERS 1,2 AND 3 (ARMREST)
DISTRIBUTEURS SELECTIFS 1,2 ET 3, LEVIERS (ACCOUDOIR)
ZUSATZSTEUERGERAETHBEL 1,2 UND 3 (ARMLEHNE)
LEVE DI DISTRIBUTORI IDRAULICI 1,2 E 3 (A BRACCIOLO)
PALANCAS DE CONTROL SELECTIVO 1,2 Y 3 (APOYABRAZOS)
SELEKTIV MANOEVERVENTIL NR 1,2 OCH 3, SPAKAR (ARMSTOED)

RE029152 -UN-27MAR98



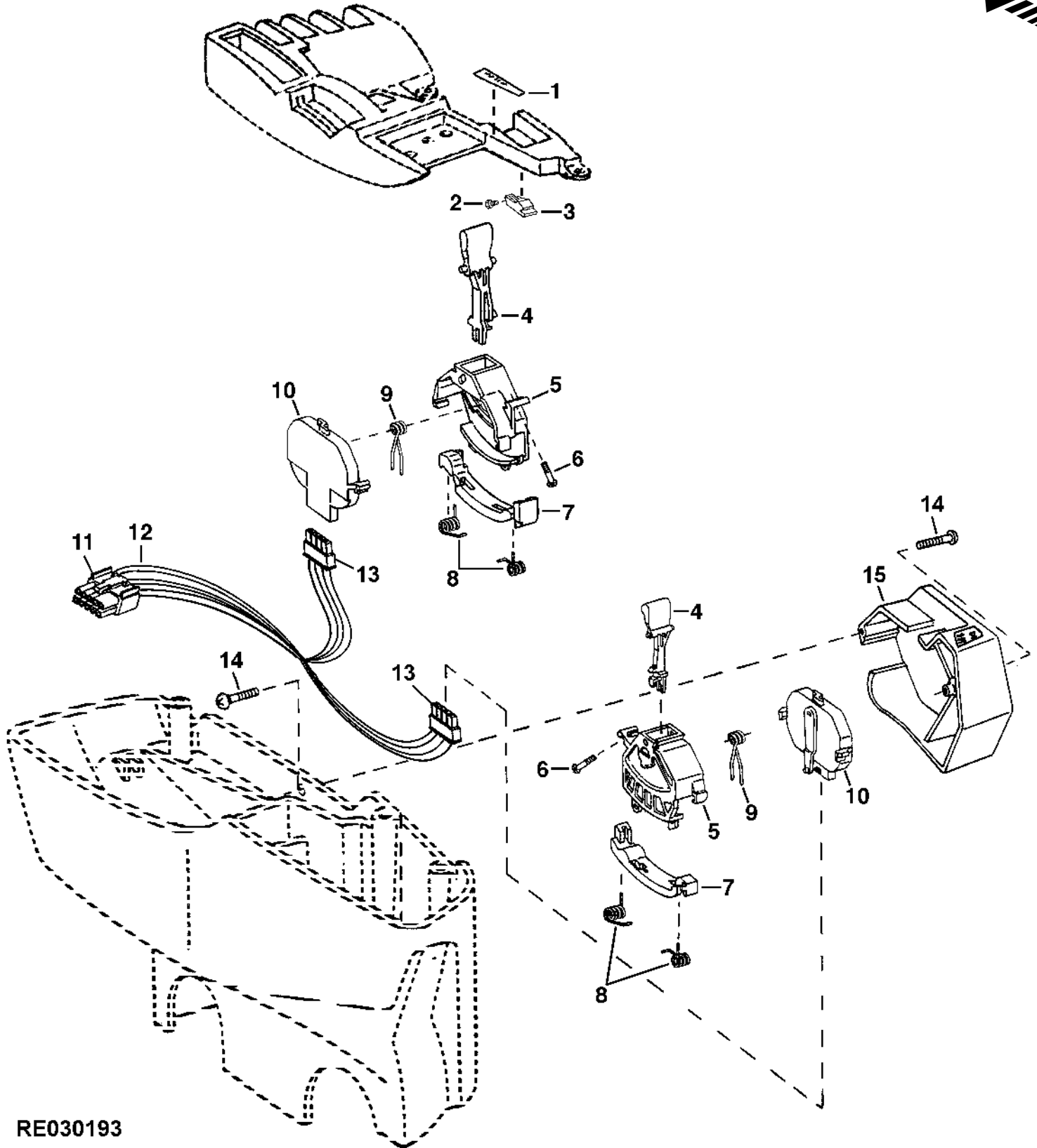
RE029152

3G6

ELECTRICAL

KEY	PART NO.	PART NAME	QTY	TRACTOR SERIAL NO.	A L L	REMARKS
1	R133053	LABEL	1		X	(SUB FOR R126463) (NO.1 SCV)
2	R133054	LABEL	1		X	(SUB FOR R126464) (NO.2 SCV)
3	R133055	LABEL	1		X	(SUB FOR R126465) (NO.3 SCV)
4	RE63708	LEVER	1		X	(SUB FOR RE61107)
5	R125877	BRACKET	1		X	(SUB R127893 AND RE63708)
6	R115850	SCREW	1		X	
7	R125878	ARM	1		X	
8	R124097	SPRING	2		X	
9	R125879	SPRING	1		X	
10	RE60659	SENSOR	1		X	
11	RE60630	WIRING HARNESS	1		X	
12	57M7708	CONNECTOR	3		X	(ALSO ORDER (4) 57M7551)
13	57M7470	CONNECTOR	1		1	(ALSO ORDER (10) 57M7551)

SELECTIVE CONTROL LEVERS 4 AND 5 (ARMREST)
 DISTRIBUTEURS SELECTIFS 4 ET 5 LEVIERS (ACCOUDOIR)
 ZUSATZSTEUERGERAETHBEL 4 UND 5 (ARMLEHNE)
 LEVE DI DISTRIBUTORI IDRAULICI 4 E 5 (A BRACCIOLO)
 PALANCAS DE CONTROL SELECTIVO 4 Y 5 (APOYABRAZOS)
 SELEKTIV MANOEVERVENTIL NR 4 OCH 5, SPAKAR (ARMSTOED)
 RE030193 -UN-13NOV98



RE030193

3G8

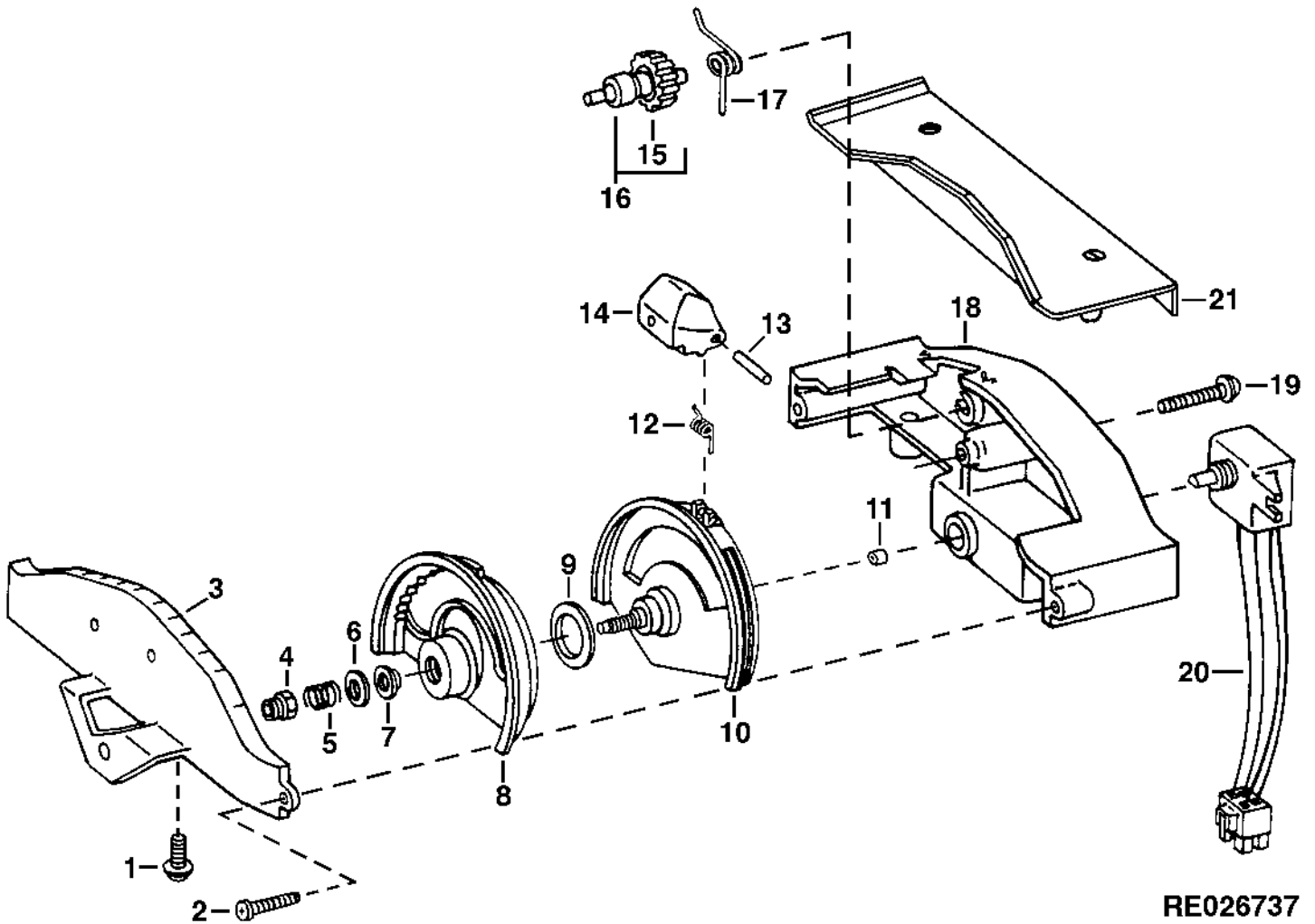
ELECTRICAL

KEY	PART NO.	PART NAME	QTY	TRACTOR SERIAL NO.	A L L	REMARKS
1	R133056	LABEL	1		X	(NO.4 SCV)
2	R115850	SCREW	1		X	
3	R107562	COVER	1		X	
4	RE63708	LEVER	1		X	
5	R127893	BRACKET	1		X	
6	R115850	SCREW	1		X	
7	R125878	ARM	1		X	
8	R124097	SPRING	2		X	
9	R125879	SPRING	1		X	
10	RE60659	SENSOR	1		X	
11	57M7714	CONNECTOR	1		X	(ALSO ORDER (6) 57M7549)
12	RE60631	WIRING HARNESS	1		X	
13	57M7708	CONNECTOR	2		X	(ALSO ORDER (8) 57M7549)
14	37M7217	SCREW	1		X	
15	R124675	HOUSING	1		X	(NO.5 SCV)

3G9

ELECTRICAL

HITCH CONTROL(ARMREST)
COMMANDE D'ATTELAGE(ACCOUDOIR)
BEDIENUNGSELEMENTE FUER DIE ANHAENGEVORRICHTUNG(ARMSTUETZE)
CONTROLLI DELL'ATTACCO(BRACCIOLO)
CONTROLES DEL ENGANCHE(APOYABRAZOS)
DRAGANORDNINGSREGLAGE(ARMSTOED)
RE026737 -UN-05AUG96



RE026737

3G10

ELECTRICAL

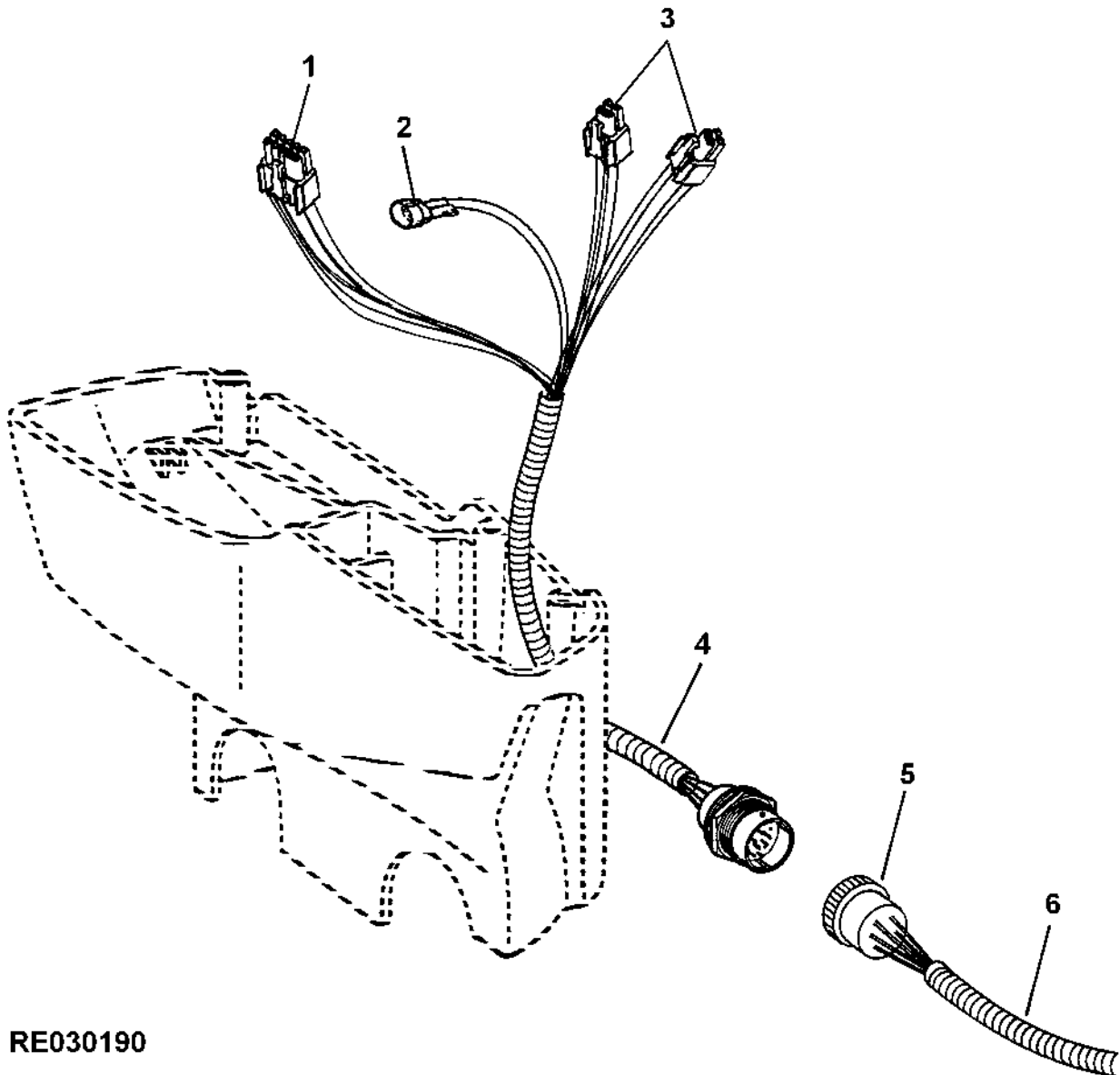
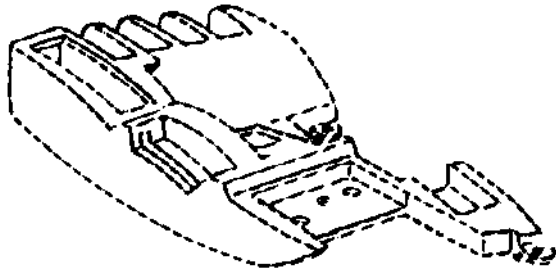
KEY	PART NO.	PART NAME	QTY	TRACTOR SERIAL NO.	A L L	REMARKS
1	R113246	SCREW	2		X	
2	H123995	SCREW	3		X	
3	R124276	HOUSING	1		X	
4	14M7165	LOCK NUT	1		X	M6
5	R124873	SPRING	1		X	(SUB FOR R114899)
6	R112513	WASHER	1		X	
7	R131047	BUSHING	1		X	(SUB FOR R112514) (ALSO ORDER R131135)
8	R131135	WHEEL	1		X	(SUB FOR R112526) (ALSO ORDER R131047)
9	R112515	WASHER	1		X	
10	R125915	WHEEL	1		X	(ALSO ORDER R118453)
11	R118453	CLIP	1		X	
12	R112553	TORSION SPRING	1		X	
13	34H233	SPRING PIN	1		X	
14	R130026	KNOB	1		X	(SUB FOR R120151)
15	R130025	WHEEL	1		X	
16	RE58029	KNOB	1		X	(SUB FOR RE49011)
17	R112551	SPRING	1		X	
18	R130024	HOUSING	1		X	(SUB FOR R124275)
19	37M7179	SCREW	1		X	
20	RE64279	POTENTIOMETER	1		X	(SUB FOR RE60658)
21	R120152	COVER	1		X	(A)

(A)W/O HITCH
W/O ATTELAGE
W/O ANHAENGEVORRICHTUNG
W/O ATTACCO
W/O ENGANCHE
W/O DRAG

3G11

ELECTRICAL

WIRING HARNESS(ARMREST TO CAB)
FAISCEAU DE FILS (ENTRE ACCOUDOIR ET CABINE)
KABELBAUM (ARMLEHNE ZUR KABINE)
CABLAGGIO (DA BRACCIOLA A CABINA)
GRUPO DE CABLES(APOYABRAZOS A LA CABINA)
KABELHAERVA (ARMSTOED TILL HYTT)
RE030190 -UN-09NOV98



RE030190

3G12

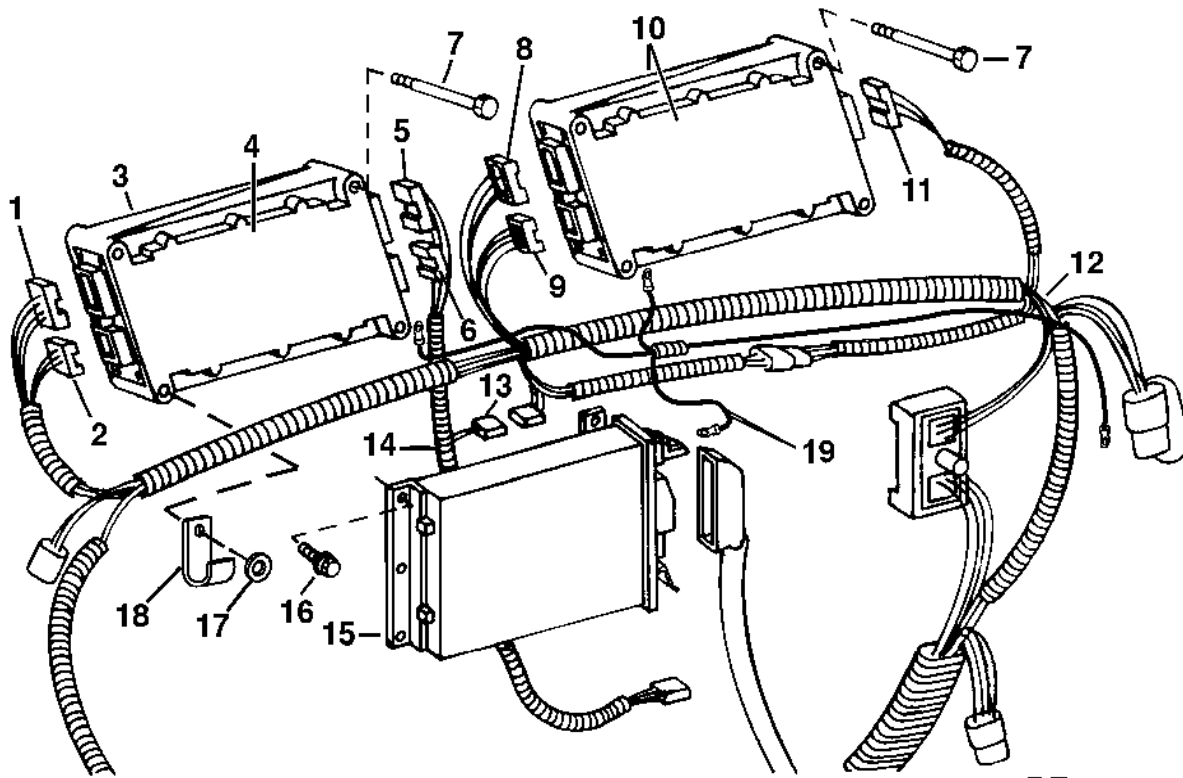
ELECTRICAL

KEY	PART NO.	PART NAME	QTY	TRACTOR SERIAL NO.	A L L	REMARKS
1	57M7716	CONNECTOR	1		X	(ALSO ORDER (9) 57M7549)
2	57M7256	CONNECTOR	1		X	(ALSO ORDER (2) R104919, (2) 57M7258 AND 57M7316)
3	57M7712	CONNECTOR	2	-099999	X	(ALSO ORDER (3) 57M7549)
	57M7712	CONNECTOR	1	010000-	X	(ALSO ORDER (3) 57M7549)
4	RE60629	WIRING HARNESS	1	-099999	X	
	RE67355	WIRING HARNESS	1	010000-	X	
5	AH135787	CONNECTOR	1		X	(ALSO ORDER (12) R77465)
6	CAB WIRING HARNESS	1		X	

3G13

ELECTRICAL

CONTROLLERS(HCU/SCU,CCU/PCU,ECU,SCO)
CONTROLEURS(HCU/SCU,CCU/PCU,ECU,SCO)
STEUEREINHEITEN(HCU/SCU,CCU/PCU,ECU,SCO)
REGOLATORI(HCU/SCU,CCU/PCU,ECU,SCO)
CONTROLADORES(HCU/SCU,CCU/PCU,ECU,SCO)
STYRENHETER(HCU/SCU,CCU/PCU,ECU,SCO)
RE029505 -UN-04MAY98



RE029505

3G14

ELECTRICAL

KEY	PART NO.	PART NAME	QTY	TRACTOR SERIAL NO.	A L L	REMARKS
1	57M7797	RECEPTACLE	1		X	(ALSO ORDER (30) R104701)
2	57M7459	CONNECTOR	1		X	(ALSO ORDER (18) R104701)
3	RE162764	HITCH AND SCV CONTROLLER	1		X	(MARKED RE162766, RE60959, RE62610, RE67022, RE67869 OR RE159623) (SUB FOR RE60956, RE62607, RE67009, RE67117, RE67866 OR RE159620) (HCU/SCU-1,2,3 SCV)
	RE162773	KIT	1		X	(SUB FOR RE157354 OR RE159625) (HCU/SCU UPGRADE)
4	RE162770	HITCH AND SCV CONTROLLER	1		X	(MARKED RE162767, RE60959, RE62611, RE63896, RE159624, RE67870 OR RE156219) (SUB FOR RE60957, RE62609, RE63895, RE67116, RE67868, RE156220 OR RE159622) (HCU/SCO-4 OR 5 SCV/ROW-TRAK)
	RE162774	KIT	1		X	(SUB FOR RE159626) (SCO UPGRADE)
5	57M7253	RECEPTACLE	1		X	(ALSO ORDER (30) R104701)
6	57M7279	CONNECTOR	1		X	(ALSO ORDER (18) R104701)
7	R124359	SCREW	8		X	
8	57M7275	CONNECTOR	1		X	(ALSO ORDER (30) R104701)
9	57M7279	CONNECTOR	1		X	(ALSO ORDER (18) R104701)
10	RE66876	VEHICLE CONTROLLER	1	-009999	X	(A) (SUB FOR RE60974, RE61675 OR RE63350) (SUB RE69215) (CCU/PCU)(30K)
	RE152006	VEHICLE CONTROLLER	1	010000-019999	X	(A) (SUB FOR RE66880 OR RE69215) (CCU/PCU)(30K)
	RE156940	VEHICLE CONTROLLER	1	XXXXXX-XXXXXX	X	(A) (C) (SUB FOR RE152382) (CCU/PCU)(30K)
	RE156940	VEHICLE CONTROLLER	1	XXXXXX-	X	(D) (CCU/PCU)(30K)
	RE165401	VEHICLE CONTROLLER	1	-019999	X	(SUB FOR RE60974, RE61675, RE62807, RE66875, RE69214 OR RE152005) (CCU/PCU)(40K)
	RE156939	VEHICLE CONTROLLER	1	020000-	X	(SUB FOR RE152380) (CCU/PCU)(40K)
11	57M7253	RECEPTACLE	1		X	(ALSO ORDER (30) R104701)
12	WIRING HARNESS	1		X	(B)
13	57M7260	CONNECTOR	1		X	(ALSO ORDER (6) R104846, (6) 57M7258 AND 57M7291)
14	RE58782	WIRING HARNESS	1		X	(SCO-4 OR 5 SCV)
	RE58311	WIRING HARNESS	1		X	(ROW-TRAK)

(A)USE ONLY IN BELGIUM,DENMARK,FRANCE,GREECE,PORTUGAL,SWEDEN&SWITZERLAND
 BELGIQUE,DANEMARK,FRANCE,GRECE,PROTUGAL,SUEDE ET SUISSE
 BELGIEN,DAENEMARK,FRANKREICH,GRIECHENLAND,PORTUGAL,SCHWEDEN UND IN DER S CHWEIZ
 BELGIO, DANIMARCA, FRANCIA, GRECIA, PORTOGALLO, SVEZIA E SVIZZERA
 BELGICA,DINAMARCA,FREANCIA,GRECIA,PORTUGAL,SUECIA Y SUIZA
 BELGIEN,DANMARK,FRANKRIKE,GREKLAND,PORTUGAL,SVERIGE OCH SCHWEIZ

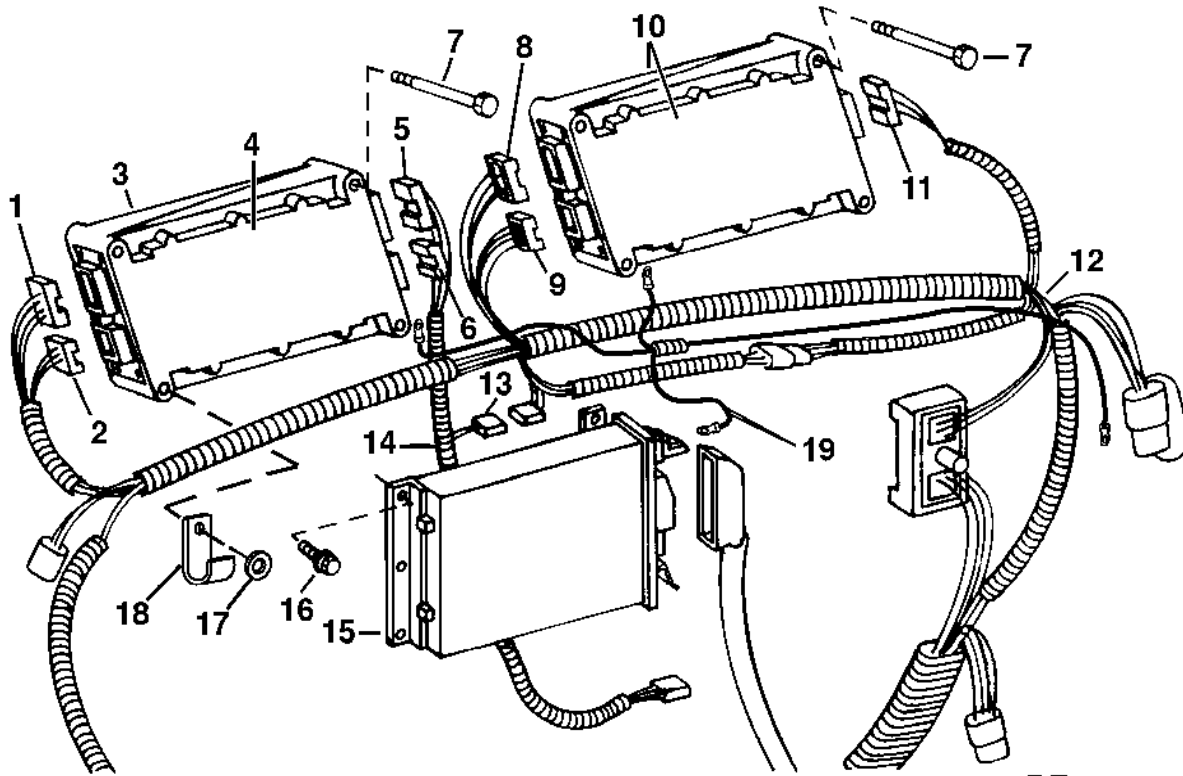
(B)ENGINE AND CHASSIS
 MOTEUR ET CHASSIS
 MOTOR UND CHASSIS
 MOTORE E TELAIO
 MOTOR Y CHASIS
 MOTOR OCH CHASSI

(C)(XXXXXX-XXXXXX)8100-020000-021128;8200-020000-020965;8300-020000-021683;8400-020000-022126
 (D)(XXXXXX-)8100-021129;8200-020966;8300-021684;8400-022127

3G15

ELECTRICAL

CONTROLLERS(HCU/SCU,CCU/PCU,ECU,SCO) - CONTINUED
CONTROLEURS(HCU/SCU,CCU/PCU,ECU,SCO) - A SUIVRE
STEUEREINHEITEN(HCU/SCU,CCU/PCU,ECU,SCO) - FORTS
REGOLATORI(HCU/SCU,CCU/PCU,ECU,SCO) - CONTINUA
CONTROLADORES(HCU/SCU,CCU/PCU,ECU,SCO) - CONTINUACION
STYRENHETER(HCU/SCU,CCU/PCU,ECU,SCO) - FORTS
RE029505 -UN-04MAY98



RE029505

3G16

ELECTRICAL

KEY	PART NO.	PART NAME	QTY	TRACTOR SERIAL NO.	A L L	REMARKS
15	RE502110	ENGINE CONTROLLER	1	-009999		(MARKED RE28320) (SUB FOR RE57525 OR RE501825) (ALSO ORDER RE502125) (ECU)(FOCUS)(8100 ONLY)
	RE501847	ENGINE CONTROLLER	1	010000-010999		(MARKED RE501731) (SUB FOR RE70026) (ALSO ORDER RE502125) (ECU)(FOCUS)(8100 ONLY)
	RE502121	ENGINE CONTROLLER	1	011000-		(MARKED RE66614) (SUB FOR RE69551, RE500772 OR RE502428) (ECU)(FOCUS)(8100 ONLY)
	RE502111	ENGINE CONTROLLER	1	-009999		(MARKED RE66614) (SUB FOR RE57526 OR RE501826) (ECU)(FOCUS)(8200 ONLY)
	RE502147	ENGINE CONTROLLER	1	010000-010999		(MARKED RE66614) (SUB FOR RE70027 OR RE501828) (ECU)(FOCUS)(8200 ONLY)
	RE502122	ENGINE CONTROLLER	1	011000-		(MARKED RE66614) (SUB FOR RE69552, RE500773 OR RE502427) (ECU)(FOCUS)(8200 ONLY)
	RE502112	ENGINE CONTROLLER	1	-009999		(MARKED RE66614) (SUB FOR RE57524 OR RE501824) (ECU)(FOCUS)(8300 ONLY)
	RE504071	ENGINE CONTROLLER	1	010000-010999		(MARKED RE66614) (SUB FOR RE69553, RE70028, RE500774, RE501849, RE502426 OR RE502123) (ECU)(FOCUS)(8300 ONLY)
	RE502124	ENGINE CONTROLLER	1	-XXXXXX		(A) (MARKED RE66614) (SUB FOR RE57501 OR RE501823) (ECU)(FOCUS)(8400 ONLY)
	RE502124	ENGINE CONTROLLER	1	XXXXXX-		(B) (MARKED RE66614) (SUB FOR RE69550, RE500769 OR RE502425) (ECU)(FOCUS)(8400 ONLY)
	RE502125	KIT	1		X	(CONTAINS RE501940, RE502104, (2) R105388 AND (4) 14M7303) (USE WITH RE66614) (MOUNTING KIT)
16	R124359	SCREW	4		X	
17	24H1923	WASHER	2		X	9/32" X 3/4" X 0.120"
18	AH117301	CLAMP	2		X	
19	RE153902	WIRING HARNESS	1	-024820	X	

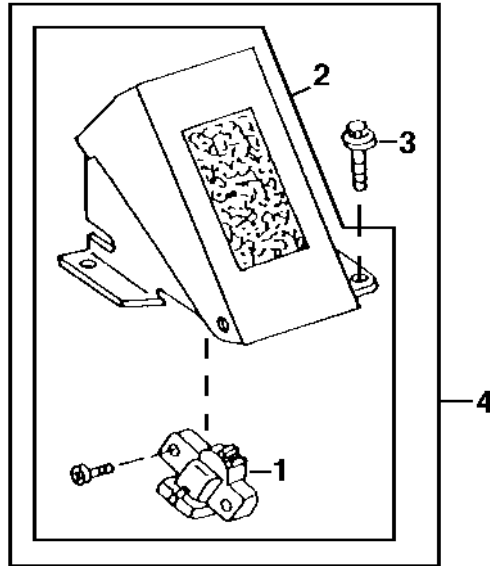
(A)(-XXXXXX)ESN 8400-009810
 (B)(XXXXXX-)ESN 8400-009811

MEMORANDA
MEMORANDA
MEMORANDA
MEMORANDA
MEMORANDA

3G17

ELECTRICAL

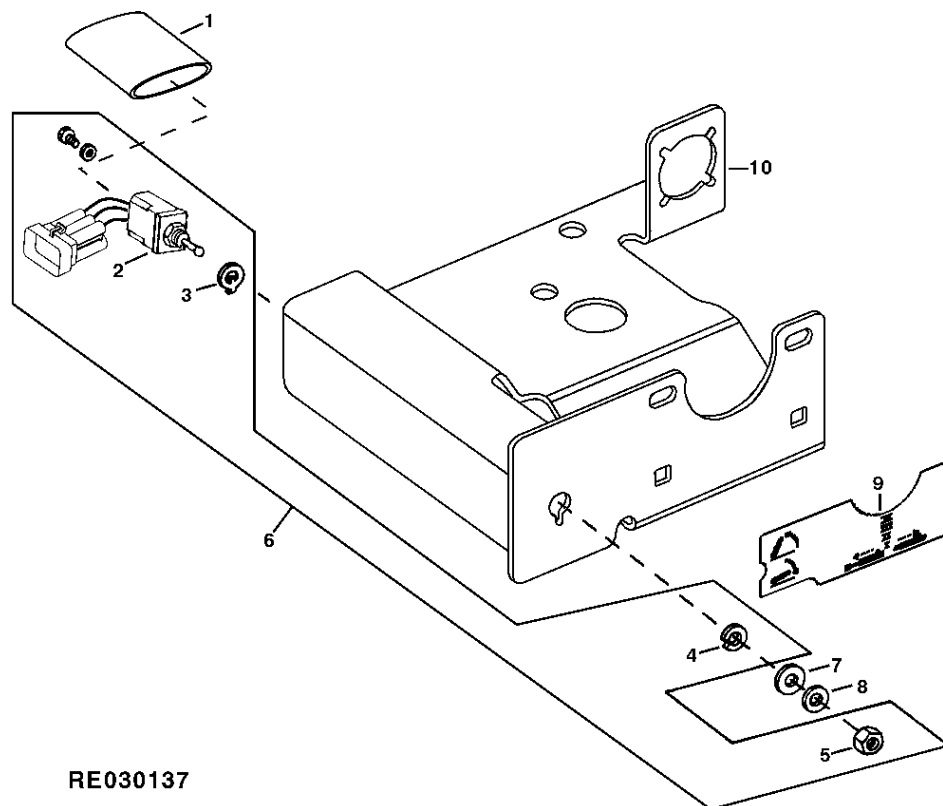
FOOT THROTTLE
 PEDALE D'ACCELLATEUR
 GASPEDAL
 PEDALE DEL GAS
 ACELERADOR DE PEDAL
 GASPEDAL
 RE026679 -UN-13DEC95



RE026679

KEY	PART NO.	PART NAME	QTY	TRACTOR SERIAL NO.	A	REMARKS
					L	
1	SENSOR	1		X	(ORDER RE155987)
2	RE155987	ACCELERATOR	1		X	(SUB FOR RE61183)
3	37M7089	SCREW	3		X	M6 X 12
4	AR152577	KIT	1		X	(FI) (SUB FOR AR113819)

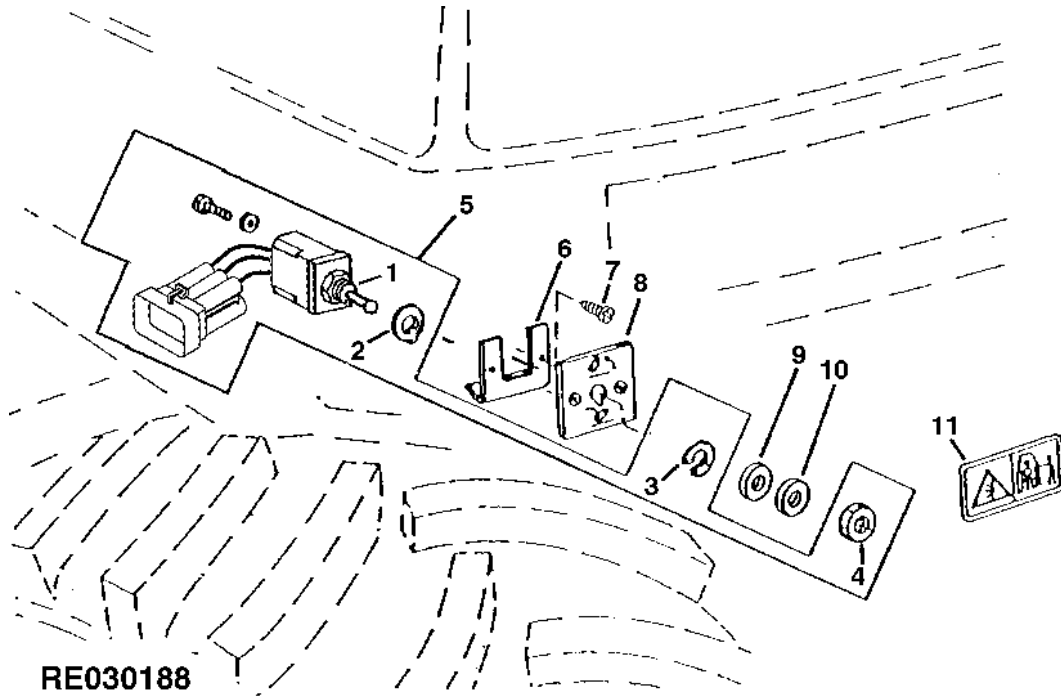
HITCH CONTROL(NORTH AMERICAN VERSION)
 COMMANDE D'ATTELAGE(VERSION NORD AMERICAINE)
 ANHANGEVORRICHTUNGS-BEDIENUNGSELEMENT(NORDAMERIKANISCHE AUSFUEHRUNG)
 CONTROLLO DISPOSITIVO DI ATTACCO(VERSIONE NORDAMERICANA)
 CONTROL DEL ENGANCHE(VERSION NORTEAMERICANA)
 DRAGANORDNINGSGREGLAGE(NORDAMERIKANSK VERSION)
 RE030137 -UN-05NOV98



RE030137

KEY	PART NO.	PART NAME	QTY	TRACTOR SERIAL NO.	A	
					L	REMARKS
1	R154392	TUBE	1		X	(USE WITH RE32042)
2	RE32042	HITCH SWITCH	1	-024819	X	(SUB RE161844)
	RE160903	HITCH SWITCH	1	024820-	X	(SUB FOR RE32042)
3	R121234	WASHER	1		X	
4	R121236	WASHER	1		X	
5	R44097	NUT	1		X	
6	RE161844	KIT	1	024820-	X	(INCLUDES RE160903, (6) R104846, (6) 57M7258, 57M7260 AND 57M7291)
7	24H1325	WASHER	1		X	11.913 X 23.419 X 1.651 MM
8	24M7044	WASHER	1		X	
9	R128894	LABEL	1		X	(SUB FOR R123139)
10	RE63638	BRACKET	1		X	(SUB FOR R111975 OR R126536)

HITCH CONTROL(EUROPEAN VERSION)
 COMMANDE D'ATTELAGE(VERSION EUROPEENNE)
 ANHANGEVORRICHTUNGS-BEDIENUNGSELEMENT(EUROPAEISCHE AUSFUEHRUNG)
 CONTROLLO DISPOSITIVO DI ATTACCO(VERSIONE EUROPEA)
 CONTROL DEL ENGANCHE(VERSION EUROPEA)
 DRAGANORDNINGSREGLAGE(EUROPEISK VERSION)
 RE030188 -UN-09NOV98



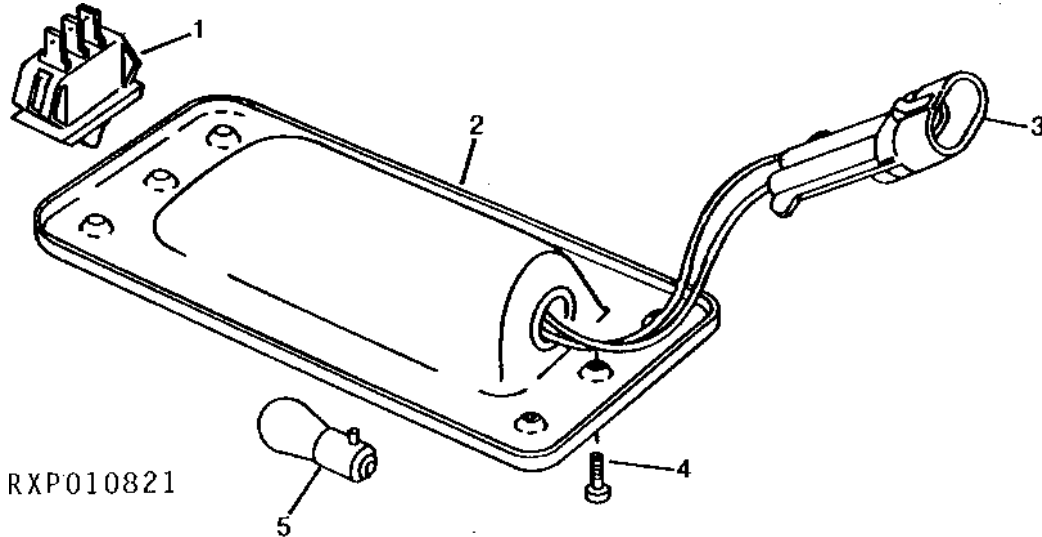
RE030188

KEY	PART NO.	PART NAME	QTY	TRACTOR SERIAL NO.	A		REMARKS
					L	L	
1	RE32042	HITCH SWITCH	1	-024819	X		(SUB RE161844)
	RE160903	HITCH SWITCH	1	024820-	X		(SUB FOR RE32042)
2	R121234	WASHER	1		X		
3	R121236	WASHER	1		X		
4	R44097	NUT	1		X		
5	RE161844	KIT	2	024820-	X		(INCLUDES RE160903, (6) R104846, (6) 57M7258, 57M7260 AND 57M7291)
6	R126716	PLATE	2		X		(SUB FOR R115676)
7	H132899	SCREW	4		X		
8	R115675	PLATE	2		X		
9	24H1325	WASHER	2		X		15/32" X 59/64" X 0.065"
	24M7044	WASHER	2		X		13 X 20 X 2 MM
11	R135481	LABEL	1		X		(SUB FOR L65071) L.H.
	R135480	LABEL	1		X		R.H.

3G20

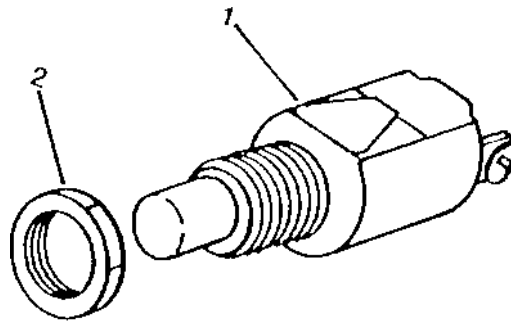
ELECTRICAL

DOME LIGHT AND SWITCH
 PLAFONNIER ET INTERRUPTEUR
 KABINENBELEUCHTUNG UND SCHALTER
 INTERRUPTORE E LUCE A PLAFONIERA
 LUZ DEL TECHO E INTERRUPTOR
 TAKLAMPA OCH KONTAKT
 RXP010821 -UN-01JAN94



KEY	PART NO.	PART NAME	QTY	CAB SERIAL NO.	A L L	REMARKS
1	RE48838	ROCKER SWITCH	1		X	
2	RE44590	HOUSING	1		X	
3	57M7256	CONNECTOR	1		X	(ALSO ORDER (2) R104919, (2) 57M7258 AND 57M7316)
4	37M7063	SCREW	2		X	
5	RE47095	BULB	1		X	

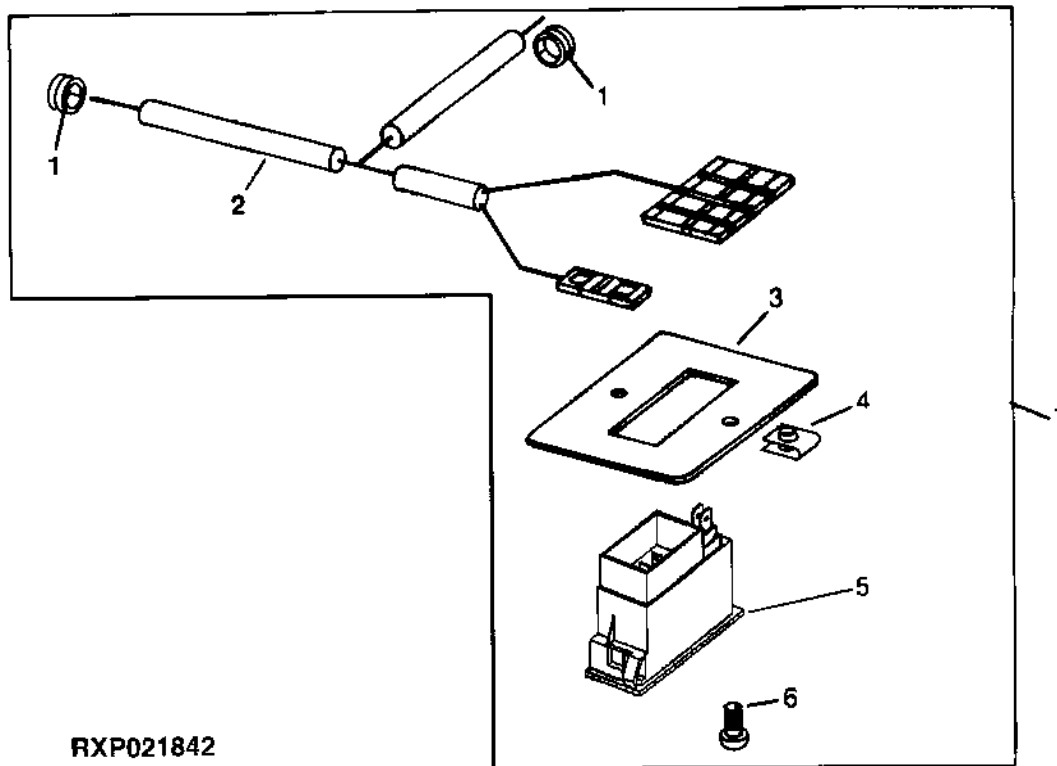
DOOR LIGHT SWITCH
 PORTE, INTERRUPTEUR D'ECLAIRAGE
 TUER-LICHTSCHALTER
 INTERRUPTORE DELLA LUCE DELLA PORTA
 INTERRUPTOR DE LUZ DE PUERTA
 DOERR, BELYSNINGSKONTAKT
 RXP011179 -UN-01JAN94



RXP011179

KEY	PART NO.	PART NAME	QTY	CAB SERIAL NO.	A	REMARKS
					L	
1	RE51234	DOOR LIGHT SWITCH	1		X	
2	R44097	NUT	1		X	

ROTATING BEACON SWITCH KIT
 JEU D'INTERRUPTEUR DE PHARE A ECLATS
 DREHLICHSCHALTER-BAUSATZ
 KIT DELL'INTERRUTTORE DE SEGNALE LUMINOSO ROTANTE
 CONJUNTO DEL INTERRUPTOR DEL FARO GIRATORIO
 STROEMBRYTARSATS FOER ROTERANDE STRAALKASTARE
 RXP021842 -UN-27JAN97



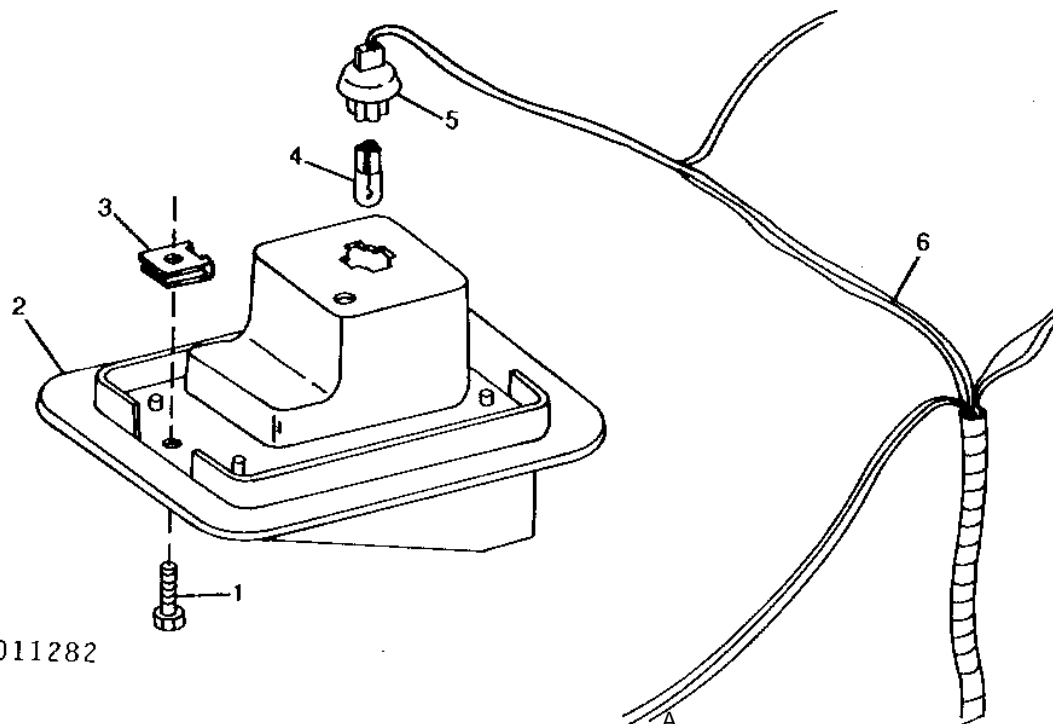
RXP021842

KEY	PART NO.	PART NAME	QTY	CAB SERIAL NO.	A	REMARKS
					L	
1	N30256	GROMMET	2		X	
2	RE51267	WIRING HARNESS	1		X	
3	R115828	PLATE	1		X	
4	R52130	LOCK NUT	2		X	
5	AT140957	SWITCH	1		X	
6	R52931	SCREW	2		X	
7	RE51266	KIT	1		X	(FI)

3G23

ELECTRICAL

CONSOLE LIGHT
 ECLAIRAGE DE CONSOLE
 KONSOLEN-BELEUCHTUNG
 LUCE DELLA CONSOLLE
 LUZ DE LA CONSOLA
 INSTRUMENTBRAEDA,BELYSNING
 RXP011282 -UN-01JAN94



RXP011282

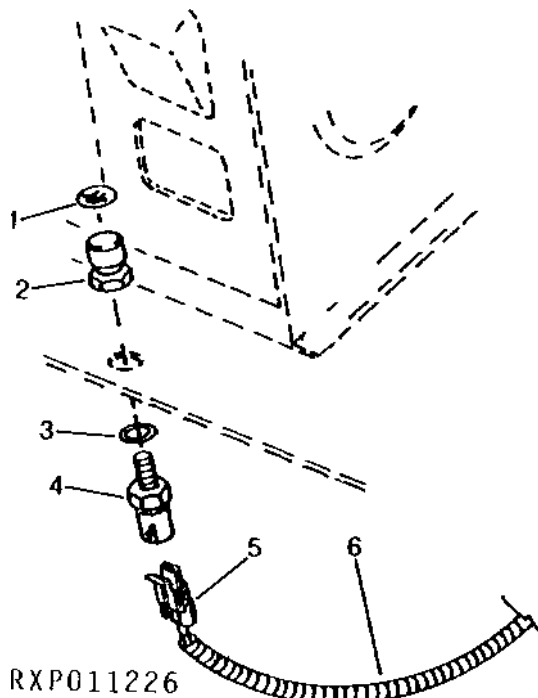
KEY	PART NO.	PART NAME	QTY	TRACTOR SERIAL NO.	A L L	REMARKS
1	37H203	SCREW	2		X	
2	RE57892	LAMP	1		X	
3	R52130	LOCK NUT	2		X	
4	AR48015	BULB	1		X	
5	57M7458	CONNECTOR	1		X	
6	CAB WIRING HARNESS	1		X	

3G24

ELECTRICAL

HYDRAULIC DIFFERENTIAL LOCK SWITCH
 INTERRUPTEUR DE BLOCAGE HYDRAULIQUE DE DIFFERENTIEL
 HYDRAULISCHER DIFFERENTIALSPERREN-SCHALTER
 INTERRUPTORE DI BLOCCAGGIO IDRAULICO DIFFERENZIALE
 INTERRUPTOR DE LA TRABA HIDRAULICO DEL DIFERENCIAL
 STROEMBRYTARE FOER HYDRAULDIFFERENTIALSPAERR

RXP011226 -UN-01JAN94



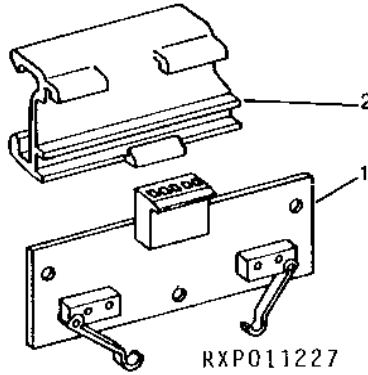
RXP011226

KEY	PART NO.	PART NAME	QTY	TRACTOR SERIAL NO.	REMARKS	
					A	L
1	L80302	LABEL	1		X	
2	RE43637	PUSH BUTTON	1		X	
3	51M7042	O-RING	1		X	13.300 X 2.200 MM
4	RE46534	SWITCH	1		X	
5	57M7328	CONNECTOR	1		X	(ALSO ORDER (2) R104846, (2) 57M7258 AND 57M7316)
6	CAB WIRING HARNESS	1		X	

3G25

ELECTRICAL

BRAKE SWITCH
FREIN, INTERRUPTEUR
BREMSSCHALTER
INTERRUPTORE DEL FRENO
INTERRUPTOR DE FRENO
BROMSKONTAKT
RXP011227 -UN-01JAN94

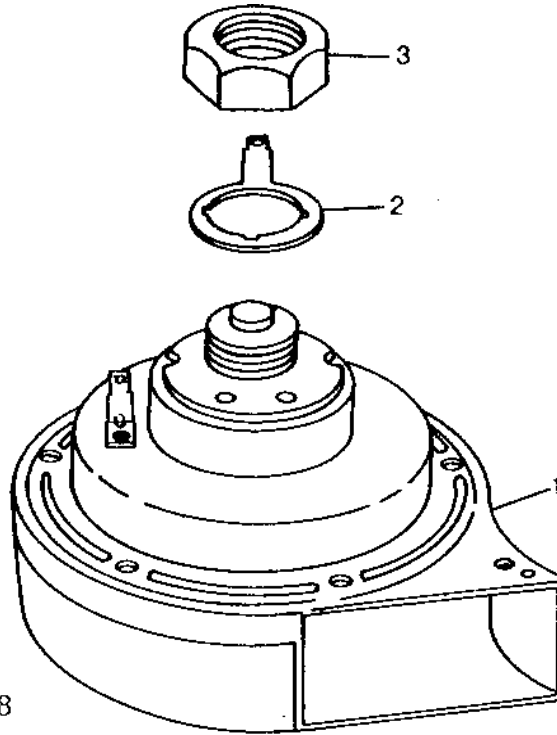


KEY	PART NO.	PART NAME	QTY	CAB SERIAL NO.	A	REMARKS
					L	
					L	
1	RE66277	BRAKE LIGHT SWITCH	1		X	(SUB FOR RE55468 OR RE63211)
2	R124716	RETAINER	1		X	

3H1

ELECTRICAL

HORN(-026686)
 AVERTISSEUR SONORE(-026686)
 SIGNALHORN(-026686)
 AVVISATORE ACUSTICO(-026686)
 BOCINA(-026686)
 SIGNALHORN(-026686)
 RXP010828 -UN-01JAN94



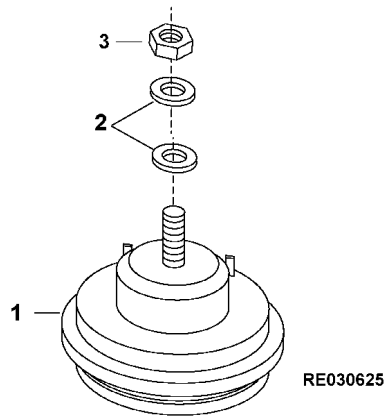
RXP010828

KEY	PART NO.	PART NAME	QTY	TRACTOR SERIAL NO.	A	REMARKS
					L	
1	R64700	HORN	1		X	(SUB RE159897, 14M7273 AND (2) 24M7036)
2	R52725	CONNECTOR	1		X	(-)
3	R11278	NUT	1		X	

3H2

ELECTRICAL

HORN(026687-)
 AVERTISSEUR SONORE(026687-)
 SIGNALHORN(026687-)
 AVVISATORE ACUSTICO(026687-)
 BOCINA(026687-)
 SIGNALHORN(026687-)
 RE030625 -UN-18MAY99



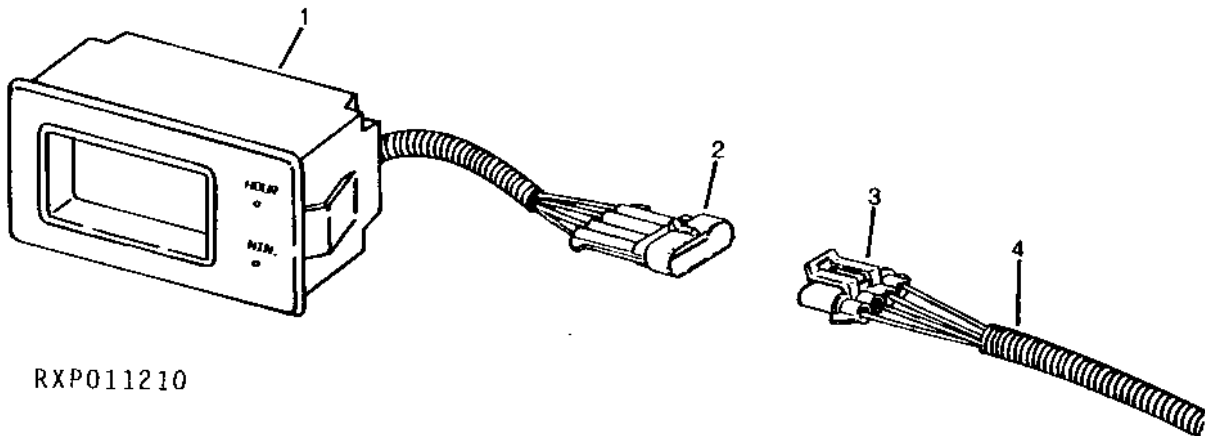
KEY	PART NO.	PART NAME	QTY	TRACTOR SERIAL NO.	A	REMARKS
					L	
1	RE159897	HORN	1		X	
2	24M7036	WASHER	2		X	
3	14M7273	NUT	1		X	

MEMORANDA
MEMORANDA
MEMORANDA
MEMORANDA
MEMORANDA

3H3

ELECTRICAL

CLOCK(EUROPEAN VERSION)
 MONTRE(VERSION EUROPEENNE)
 UHR(EUROPÄISCHE AUSFÜHRUNG)
 OROLOGIO(VERSIONE EUROPEA)
 RELOJ(VERSION EUROPEA)
 KLOCKA(EUROPEISK VERSION)
 RXP011210 -UN-01JAN94



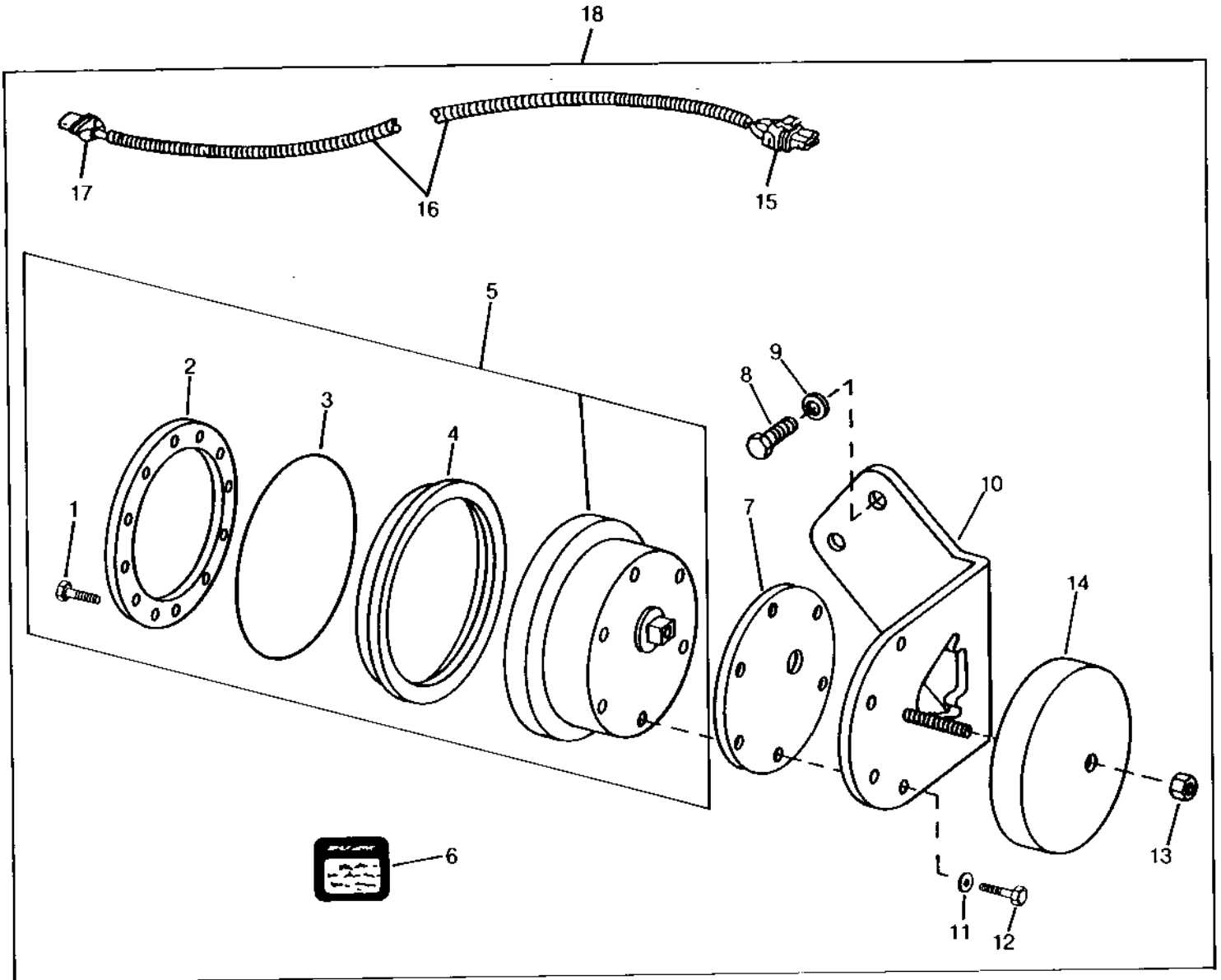
RXP011210

KEY	PART NO.	PART NAME	QTY	TRACTOR SERIAL NO.	A	REMARKS
					L	
1	AL78989	CLOCK	1		X	
2	57M7244	CONNECTOR	1		X	(ALSO ORDER (4) R104919, (4) 57M7258 AND 57M7318)
3	57M7247	CONNECTOR	1		X	(ALSO ORDER (4) R104846, (4) 57M7258 AND 57M7318)
4	CAB WIRING HARNESS	1		X	

3H4

ELECTRICAL

RADAR(8100 -003523;8200 -002714;8300 -004617;8400 -003062)
RADAR(8100 -003523;8200 -002714;8300 -004617;8400 -003062)
RADAR(8100 -003523;8200 -002714;8300 -004617;8400 -003062)
RADAR(8100 -003523;8200 -002714;8300 -004617;8400 -003062)
RADAR(8100 -003523;8200 -002714;8300 -004617;8400 -003062)
RADAR(8100 -003523;8200 -002714;8300 -004617;8400 -003062)
RXP026056 -UN-07MAR95



RXP026056

3H5

ELECTRICAL

KEY	PART NO.	PART NAME	QTY	TRACTOR SERIAL NO.	A	REMARKS
					L	
1	R82239	SCREW	12		X	0.164" X 1-1/4"
2	R82237	SNAP RING	1		X	
3	R82238	O-RING	1		X	
4	R82236	COVER	1		X	
5	RE43025	RADAR SENSOR	1		X	(A) (SUB RE153333)
	RE58592	RADAR SENSOR	1		X	(B) (SUB RE153334)
6	R120107	LABEL	1		X	(ENGLISH)
	R120106	LABEL	1		X	(FRANCAIS)
	R105942	LABEL	1		X	(DEUTSCH)
	R120108	LABEL	1		X	(ESPANOL)
	L65000	LABEL	1		X	(B)
7	R82243	GASKET	1		X	
8	19M7946	CAP SCREW	2		X	M20 X 40
9	24M7344	WASHER	2		X	22 X 37 X 3 MM, HS 10.9
10	RE62529	BRACKET	1		X	(SUB RE65689, (3) RE65690, (3) 19H1849 AND (3) 24H1250)
11	24M7336	WASHER	6		X	9 X 16 X 1.600 MM
12	19H2705	CAP SCREW	6		X	5/16" X 1"
13	14M7273	NUT	1		X	M8
14	R82355	SHIELD	1		X	
15	RE42193	CONNECTOR	1		X	(ALSO ORDER (4) R78057 AND 57M7292)
16	RE52645	WIRING HARNESS	1		X	
17	57M7257	CONNECTOR	1		X	(ALSO ORDER (3) R104919, (3) 57M7258 AND 57M7290)
18	AR114073	KIT	1		X	(A) (SUB RE153333) (FI)
	AR114074	KIT	1		X	(B) (SUB RE153334) (FI)

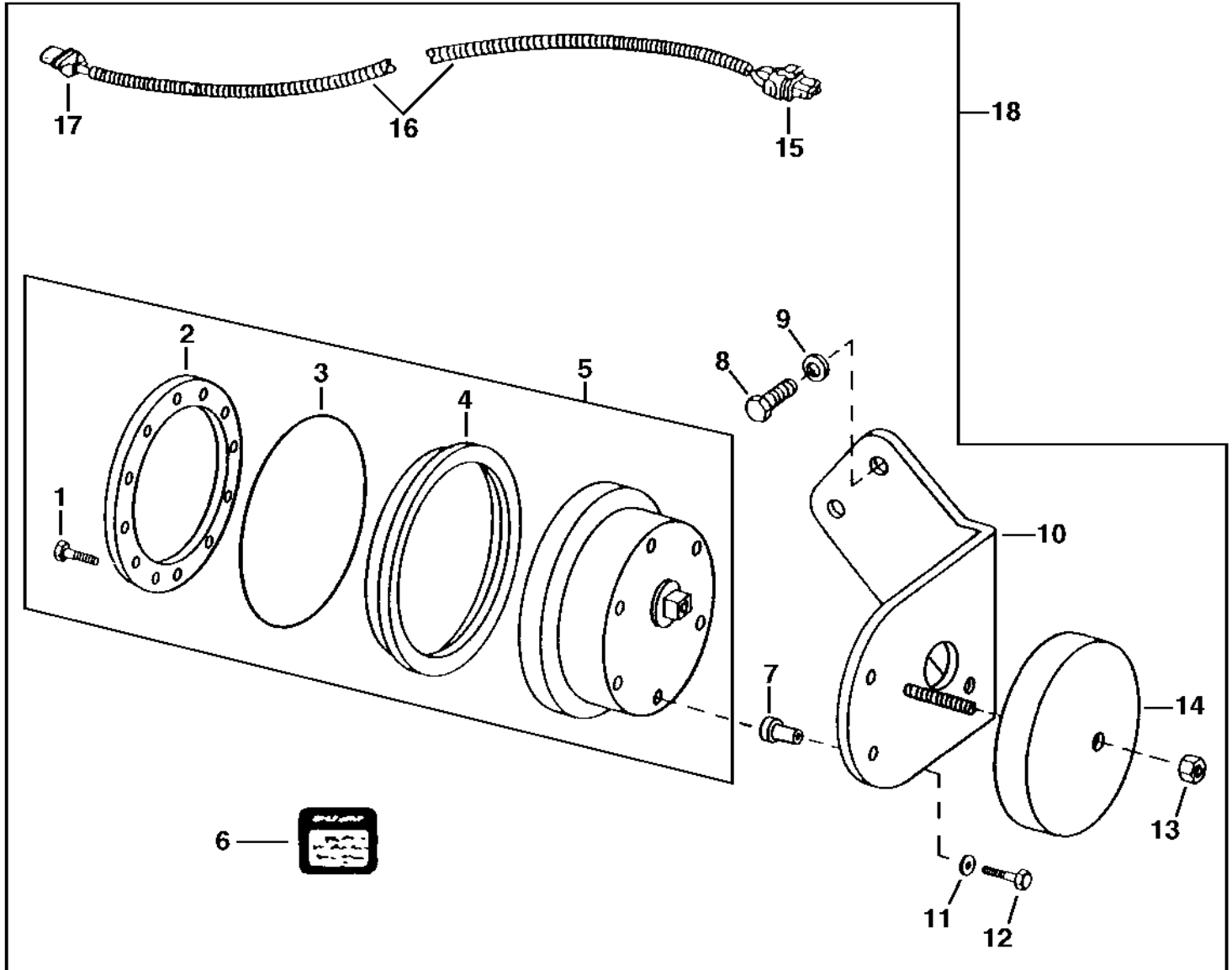
(A)NORTH AMERICAN VERSION
 VERSION NORD AMERICAINE
 NORDAMERIKANISCHE
 VERSIONE NORDAMERICANA
 VERSION NORTEAMERICANA
 NORDAMERIKANSK VERSION

(B)EUROPEAN VERSION
 VERSION EUROPEENNE
 EUROPAEISCHE AUSFUEHRUNG
 VERSIONE EUROPEA
 VERSION EUROPEA
 EUROPEISK VERSION

3H6

ELECTRICAL

RADAR(8100 003524-009999;8200 002715 -009999;8300 004618-009999;8400 003063-009999)
RADAR(8100 003524-009999;8200 002715 -009999;8300 004618-009999;8400 003039-009999)
RADAR(8100 003524-009999;8200 002715 -009999;8300 004618-009999;8400 003063-009999)
RADAR(8100 003524-009999;8200 002715 -009999;8300 004618-009999;8400 003063-009999)
RADAR(8100 003524-009999;8200 002715 -009999;8300 004618-009999;8400 003063-009999)
RADAR(8100 003524-009999;8200 002715 -009999;8300 004618-009999;8400 003063-009999)
RE026654 -UN-12DEC95



RE026654

KEY	PART NO.	PART NAME	QTY	TRACTOR SERIAL NO.	A	REMARKS
					L	
1	R82239	SCREW	12		X	(A) 0.164" X 1-1/4"
2	R82237	SNAP RING	1		X	
3	R82238	O-RING	1		X	
4	R82236	COVER	1		X	
5	RE43025	RADAR SENSOR	1		X	(A) (SUB RE153333)
	RE58592	RADAR SENSOR	1		X	(B) (SUB RE153334)
6	R120107	LABEL	1		X	(ENGLISH)
	R120106	LABEL	1		X	(FRANCAIS)
	R105942	LABEL	1		X	(DEUTSCH)
	R120108	LABEL	1		X	(ESPANOL)
	L65000	LABEL	1		X	(B)
7	RE65690	RUBBER MOUNT	3		X	
8	19M7946	CAP SCREW	2		X	M20 X 40
9	24M7344	WASHER	2		X	22 X 37 X 3 MM, HS 10.9
10	RE65689	BRACKET	1		X	(SUB FOR RE62529)
11	24H1250	WASHER	3		X	5/16" X 1" X 0.060"
12	19H1849	CAP SCREW	3		X	5/16" X 1-1/4"
13	14M7273	NUT	1		X	M8
14	R82355	SHIELD	1		X	
15	RE42193	CONNECTOR	1		X	(ALSO ORDER (4) R78057 AND 57M7292)
16	RE52645	WIRING HARNESS	1		X	
17	57M7257	CONNECTOR	1		X	(ALSO ORDER (3) R104919, (3) 57M7258 AND 57M7290)
18	AR115540	KIT	1		X	(A) (SUB RE153333) (FI)
	AR115541	KIT	1		X	(B) (SUB RE153334) (FI)

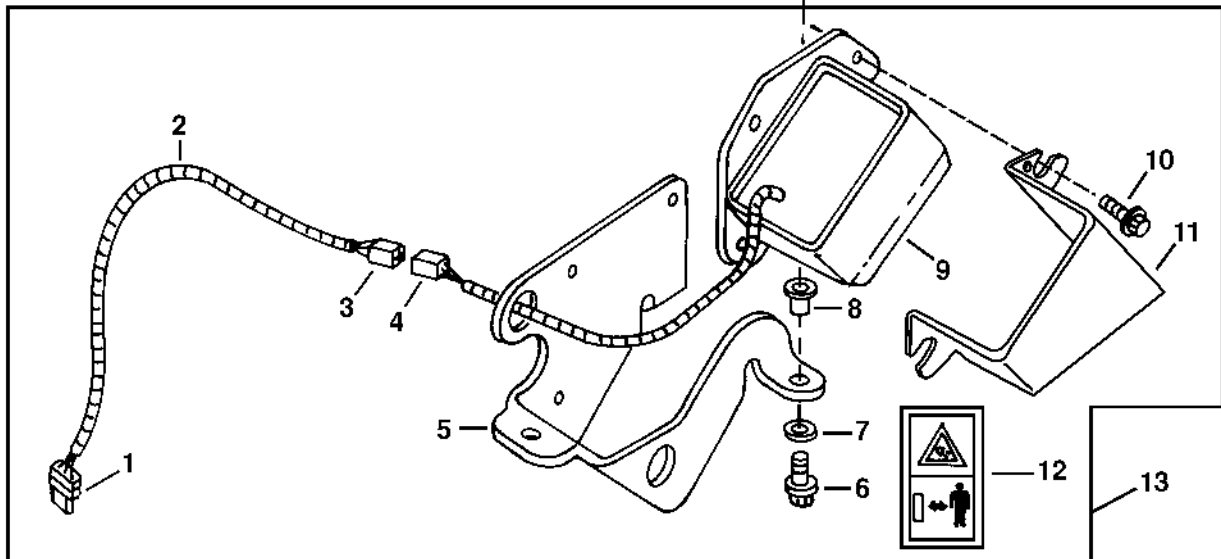
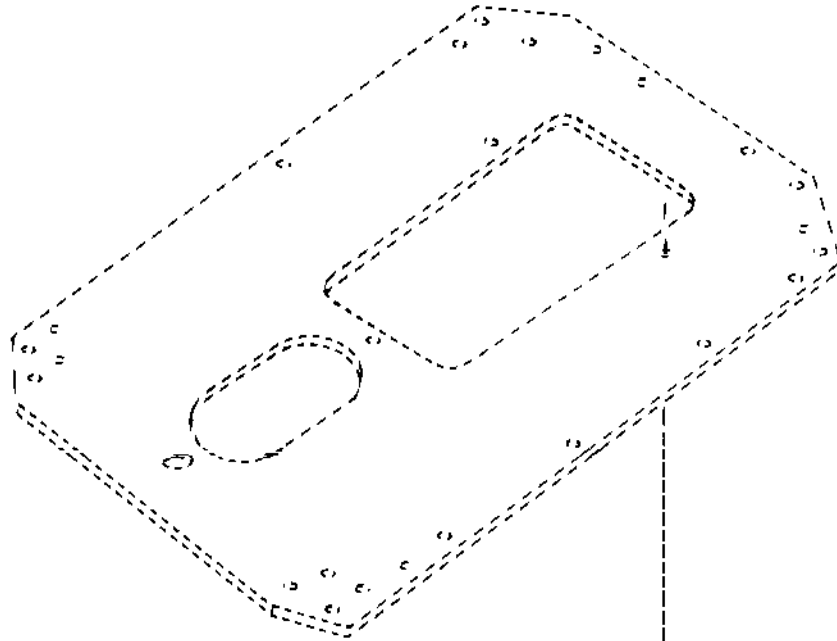
(A)NORTH AMERICAN VERSION
 VERSION NORD AMERICAINE
 NORDAMERIKANISCHE
 VERSIONE NORDAMERICANA
 VERSION NORTEAMERICANA
 NORDAMERIKANSK VERSION

(B)EUROPEAN VERSION
 VERSION EUROPEENNE
 EUROPAEISCHE AUSFUEHRUNG
 VERSIONE EUROPEA
 VERSION EUROPEA
 EUROPEISK VERSION

3H8

ELECTRICAL

RADAR(8100 010000- ;8200 010000- ;8300 010000- ;8400 010000-)
RADAR(8100 010000- ;8200 010000- ;8300 010000- ;8400 010000-)
RADAR(8100 010000- ;8200 010000- ;8300 010000- ;8400 010000-)
RADAR(8100 010000- ;8200 010000- ;8300 010000- ;8400 010000-)
RADAR(8100 010000- ;8200 010000- ;8300 010000- ;8400 010000-)
RADAR(8100 010000- ;8200 010000- ;8300 010000- ;8400 010000-)
RE028240 -UN-03SEP97



RE028240

3H9

ELECTRICAL

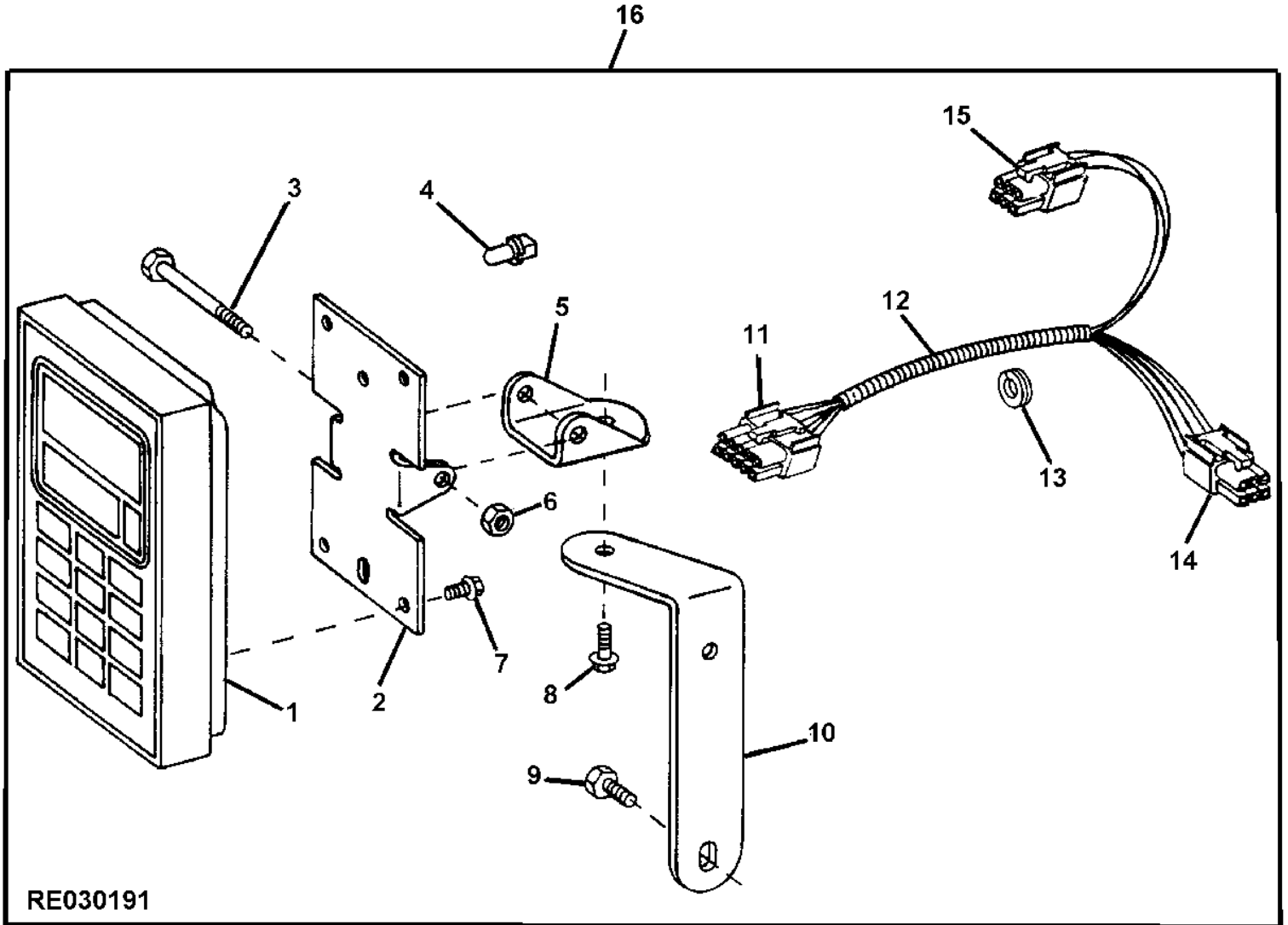
KEY	PART NO.	PART NAME	QTY	TRACTOR SERIAL NO.	A L L	REMARKS
1	57M7257	CONNECTOR	1		X	(ALSO ORDER (3) R104919, (3) 57M7258 AND 57M7290)
2	RE52645	WIRING HARNESS	1		X	
3	RE42193	CONNECTOR	1		X	(ALSO ORDER (4) R78057 AND 57M7292)
4	T138822	CONNECTOR	1		X	(ALSO ORDER (4) R78058 AND 57M7292)
5	R132066	BRACKET	1		X	
6	37M7080	SCREW	3		X	M10 X 30
7	24M7178	WASHER	3		X	10.500 X 30 X 2.500 MM
8	AT116162	RUBBER MOUNT	3		X	
9	RE152877	RADAR SENSOR	1		X	(SUB FOR RE52719)
	RE152880	RADAR SENSOR	1		X	(A) (SUB FOR RE54017)
10	37M7087	SCREW	3		X	M10 X 25
11	R151924	SHIELD	1		X	
12	L65000	LABEL	1		X	
13	RE153333	KIT	1		X	(SUB FOR AR114073, AR115540 OR RE69103) (FI)
	RE153334	KIT	1		X	(A) (SUB FOR AR114074, AR115541 OR RE69104) (FI)

(A)UNITED KINGDOM
ROYAUME-UNI
ENGLAND
REGNO UNITO
REINO UNIDO
ENGLAND

3H10

ELECTRICAL

PERFORMANCE MONITOR
MONITEUR DE PERFORMANCES
LEISTUNGSMONITOR
MONITOR DELLE PRESTAZIONI
MONITOR DE RENDIMIENTO
PRESTATIONS MONITOR
RE030191 -UN-12NOV98



3H11

ELECTRICAL

KEY	PART NO.	PART NAME	QTY	TRACTOR SERIAL NO.	A	REMARKS
					L	
1	RE60389	MONITOR CONSOLE	1		X	(A) (INCLUDES (5) R107890)
	RE61600	PERFORMANCE MONITOR	1		X	(B) (INCLUDES (5) R107890)
2	R124225	BRACKET	1		X	
3	19M7156	CAP SCREW	1		X	M10 X 60
4	R107890	BULB	5		X	
5	R124771	BRACKET	1		X	
6	14M7274	NUT	1		X	M10
7	37M7089	SCREW	4		X	M6 X 12
8	19M7560	CAP SCREW	1		X	M6 X 16
9	19M7166	CAP SCREW	2		X	M10 X 20
10	R125193	SUPPORT	1		X	
11	57M7470	CONNECTOR	1		X	(ALSO ORDER (10) 57M7549)
12	RE60540	WIRING HARNESS	1		X	
13	R115350	GROMMET	1		X	
14	57M7714	CONNECTOR	1		X	(ALSO ORDER (4) 57M7549)
15	57M7714	CONNECTOR	1		X	(ALSO ORDER (5) 57M7549)
16	AR112626	KIT	1		X	(A) (FI)
	AR114555	KIT	1		X	(B) (FI)

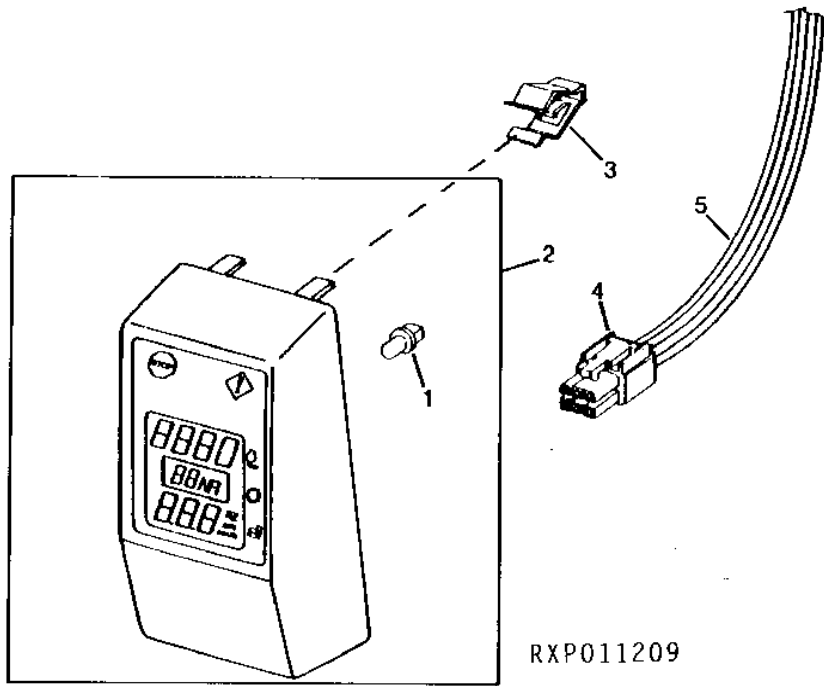
(A)NORTH AMERICAN VERSION
 VERSION NORD AMERICAINE
 NORDAMERIKANISCHE
 VERSIONE NORDAMREICANA
 VERSION NORTEAMERICANA
 NORDAMERIKANSK VERSION

(B)EUROPEAN VERSION
 VERSION EUROPEENNE
 EUROPAEISCHE AUSFUEHRUNG
 VERSIONE EUROPEA
 VERSION EUROPEA
 EUROPEISK VERSION

3H12

ELECTRICAL

CORNER POST DISPLAY
 AFFICHAGE, MONTANT D'ANGLE
 ECKPOSTEN-ANZEIGE
 DISPLAY SUL MONTANTE
 PANTALLA DE POSTE DE ESQUINA
 HOERNSTOLPVISNING
 RXP011209 -UN-01JAN94

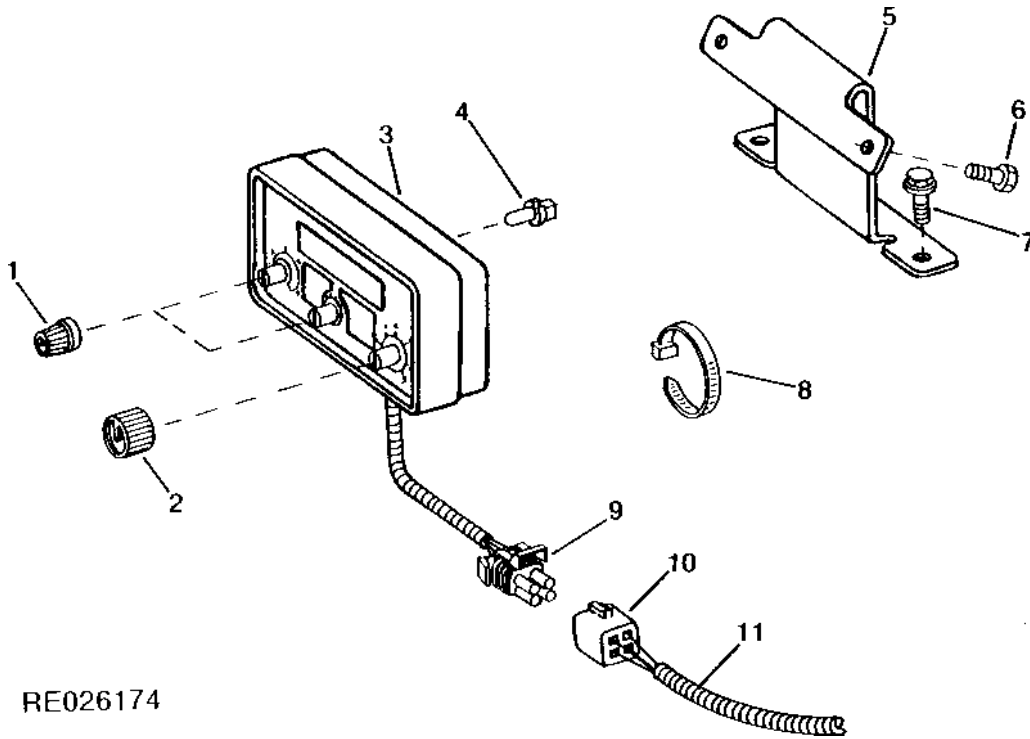


KEY	PART NO.	PART NAME	QTY	TRACTOR SERIAL NO.	REMARKS
1	R107890	BULB	5		X
2	RE63458	MODULE	1		X (INCLUDES (5) R107890) (SUB FOR RE60929)
3	R120160	CLIP	4		X
4	57M7714	CONNECTOR	1		X (ALSO ORDER (6) 57M7549)
5	CAB WIRING HARNESS	1		X

3H13

ELECTRICAL

ROW-TRAK MONITOR
 MONITEUR ROW-TRAK
 ROW-TRAK MONITOR
 MONITOR ROW-TRAK
 MONITOR ROW-TRAK
 ROW-TRAK MONITOR
 RE026174 -UN-23MAR95



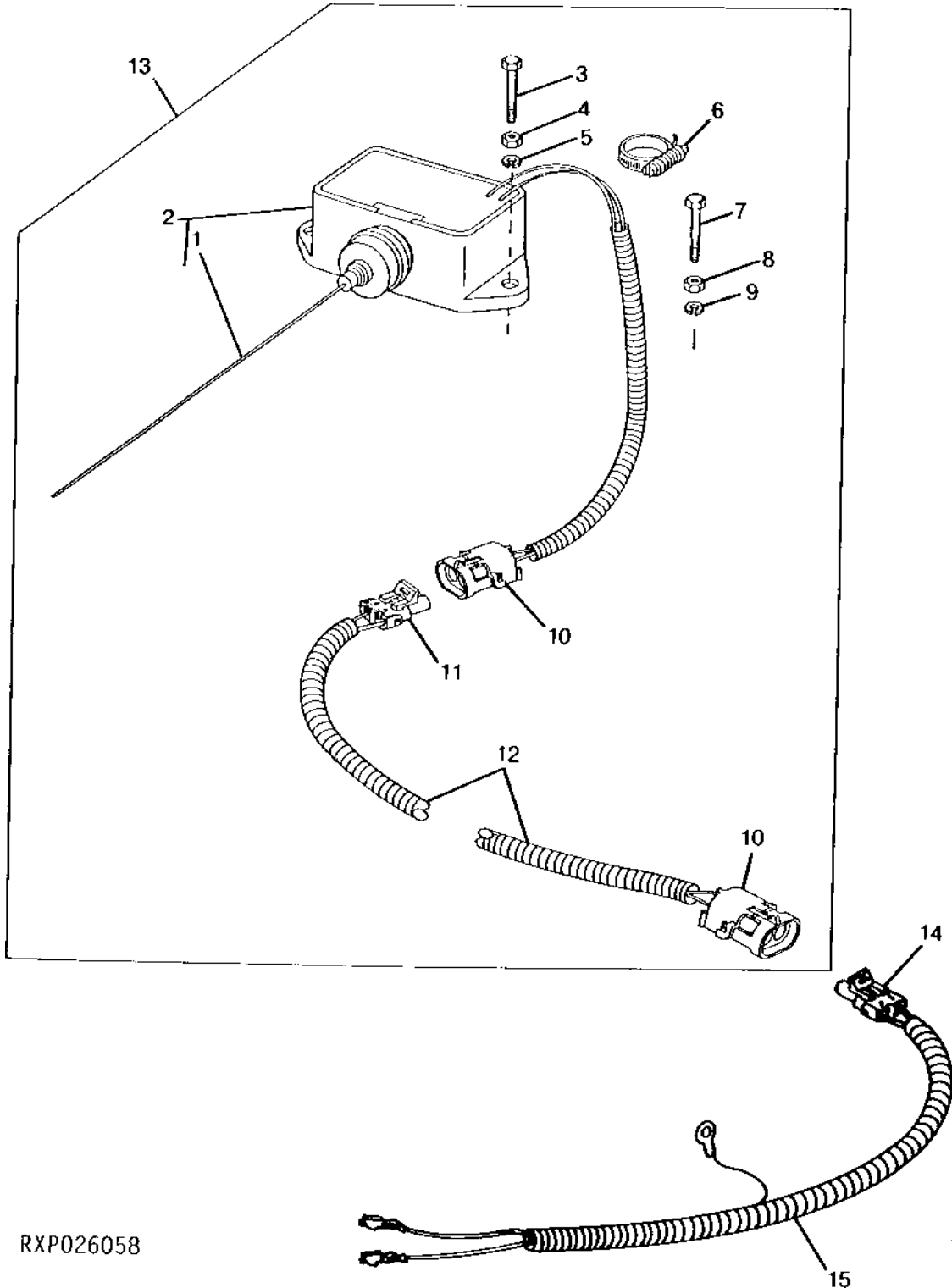
RE026174

KEY	PART NO.	PART NAME	QTY	TRACTOR SERIAL NO.	A		REMARKS
					L	L	
1	R122613	KNOB	2		X		
2	RE43462	KNOB	1		X		
3	RE57744	MONITOR	1		X		
4	R107890	BULB	2		X		
5	R122225	BRACKET	1		X		
6	19M6614	CAP SCREW	2		X		M6 X 12
7	19M7784	SCREW	2		X		M10 X 20
8	R44302	TIE BAND	1		X		
9	RE42193	CONNECTOR	1		X		(ALSO ORDER (4) R78058 AND (4) 57M7292)
10	T138822	CONNECTOR	1		X		(ALSO ORDER (4) R78061 AND (4) R78063)
11	RE64323	WIRING LEAD	1		X		(SUB FOR RE58312)

3H14

ELECTRICAL

IMPLEMENT SWITCH
INTERRUPTEUR D'EQUIPEMENT
GERAETESCHALTER
INTERRUPTORE PER EQUIAGGIAMENTO
INTERRUPTOR DE EJECUCION
REDSKAPSSTROEMSTAELLARE
RXP026058 -UN-07MAR95



RXP026058

3H15

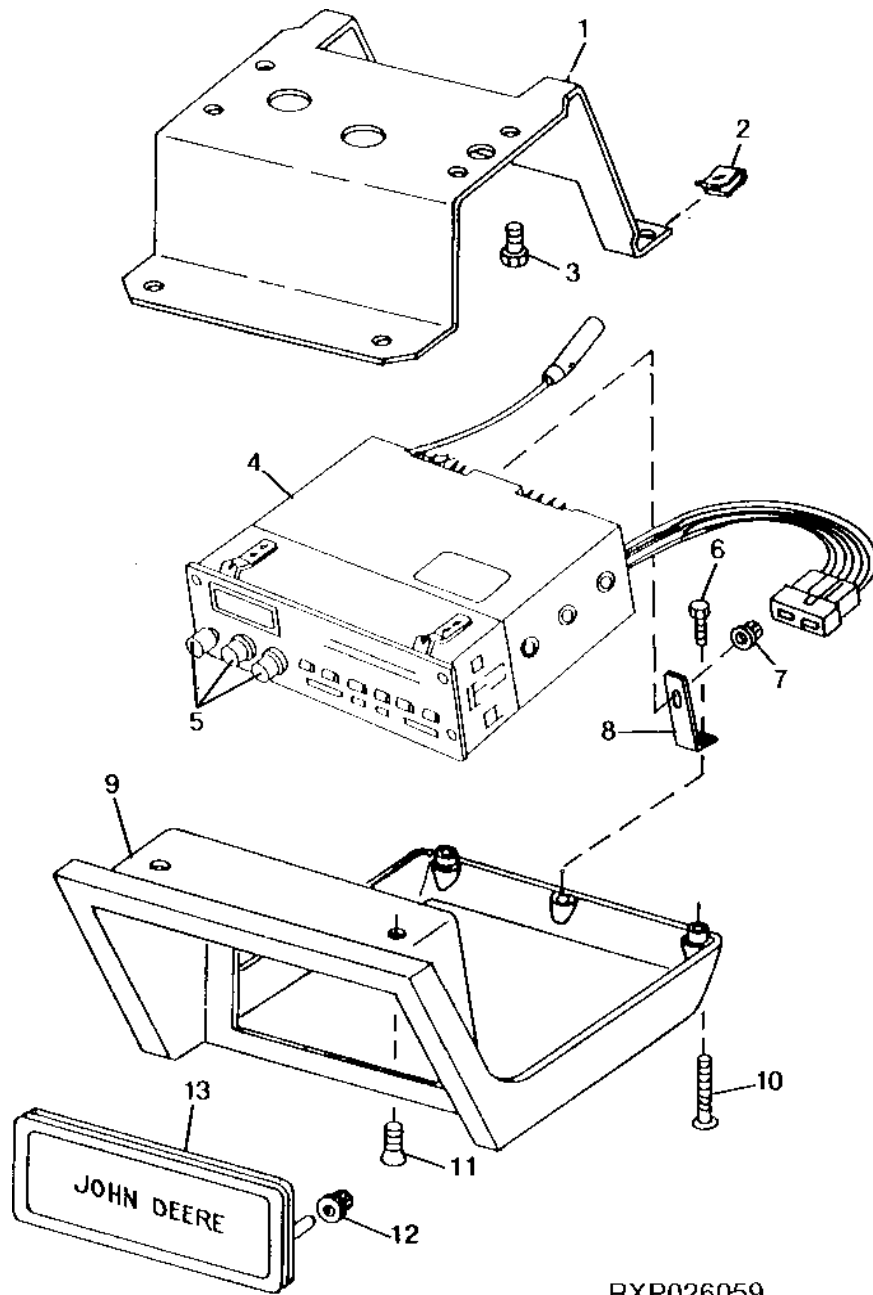
ELECTRICAL

KEY	PART NO.	PART NAME	QTY	TRACTOR SERIAL NO.	A L L	REMARKS
1	R83562	WIRE	1		X	
2	RE49242	SWITCH	1		X	(SUB FOR RE21117)
	37H24	SCREW	1		X	1/4" X 3/4"
3	19H1914	CAP SCREW	2		X	1/4" X 1"
4	14H786	NUT	2		X	1/4"
5	12H302	LOCK WASHER	2		X	1/4"
6	TY22473	CLAMP	1		X	(SUB FOR AR21841)
	TY22475	CLAMP	1		X	(SUB FOR C16054)
7	19H1914	CAP SCREW	2		X	1/4" X 1"
8	14H786	NUT	2		X	1/4"
9	12H302	LOCK WASHER	2		X	1/4"
10	R78053	CONNECTOR	1		X	(ALSO ORDER (2) R78061 AND R78063)
11	RE12363	CONNECTOR	1		X	(ALSO ORDER (2) R78060, (2) R78063 AND R78048)
12	RE21099	WIRING HARNESS	1		X	
13	RE21519	SENSOR	1		X	(FI)
14	RE12363	CONNECTOR	1		X	(ALSO ORDER (2) R78060, (2) R78063 AND R78048)
15	RE63376	WIRING HARNESS	1		X	

3H16

ELECTRICAL

RADIO AND BRACKETS
RADIO ET SUPPORT
RADIO UND KONSOLE
RADIO E STAFFA
RADIO Y SOPORTE
RADIO OCH KONSOL
RXP026059 -UN-07MAR95



RXP026059

3H17

ELECTRICAL

KEY	PART NO.	PART NAME	QTY	CAB SERIAL NO.	A L L	REMARKS
1	R121435	BRACKET	1		X	
2	R115945	NUT	4		X	
3	19M6614	CAP SCREW	4	-XXXXXX	X	M6 X 12
	H123995	SCREW	4	XXXXXX-	X	
4	RE64377	RADIO	1		X	(A) (FI)
	RE64376	RADIO	1		X	(B) (FI)
5	RE60726	KNOB	1		X	
6	21M7395	SCREW	1		X	M4 X 8
7	R99233	NUT	1		X	(SUB 14M7297 AND 24M7138)
8	R113042	BRACKET	1		X	
9	R95800	BEZEL	1		X	
10	37M7243	SCREW	2		X	
11	37H215	SCREW	2		X	
12	H117239	FLANGE NUT	2		X	W/O RADIO
13	H132795	PANEL	1		X	W/O RADIO

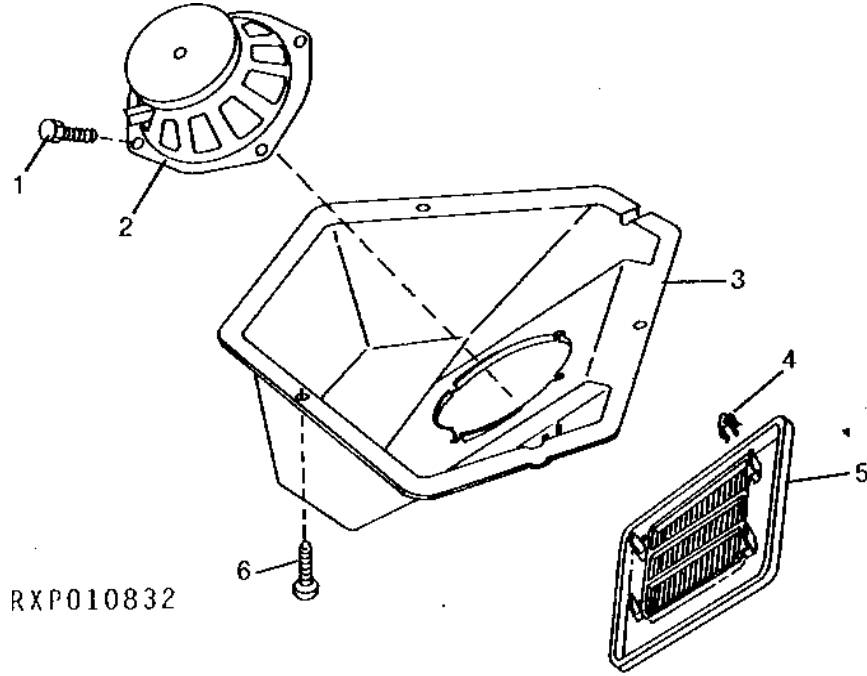
(A)AM/FM STEREO
 STEREO MA/MF
 AM/FM STEREO
 STEREO AM/FM
 AM/FM ESTEREOFONICO
 AM/FM STEREO

(B)AM/FM SEREO/CASSETTE/WEATHERBAND
 STEREO MA/MF-LECTEUR DE CASSETTES-BANDE METEOROLOGIE
 AM/FMSTEREO/KASSETTE/WETTER-FREQUENZBAND
 STEREO AM/FM/CASSETTE/BANDAMETEOROLOGICA
 AM/FMESTEREOFONICO/TOCACINTAS/BANDA/METEOROLOGICA
 AM/FM STEREO/KASSETT/VAEDERBAND

3H18

ELECTRICAL

SPEAKER (RADIO)
 HAUT-PARLEUR(RADIO)
 LAUTSPECHER(RADIO)
 ALTOPARLANTE(RADIO)
 ALTAVOZ(RADIO)
 HOEGTALARE(RADIO)
 RXP010832 -UN-01JAN94



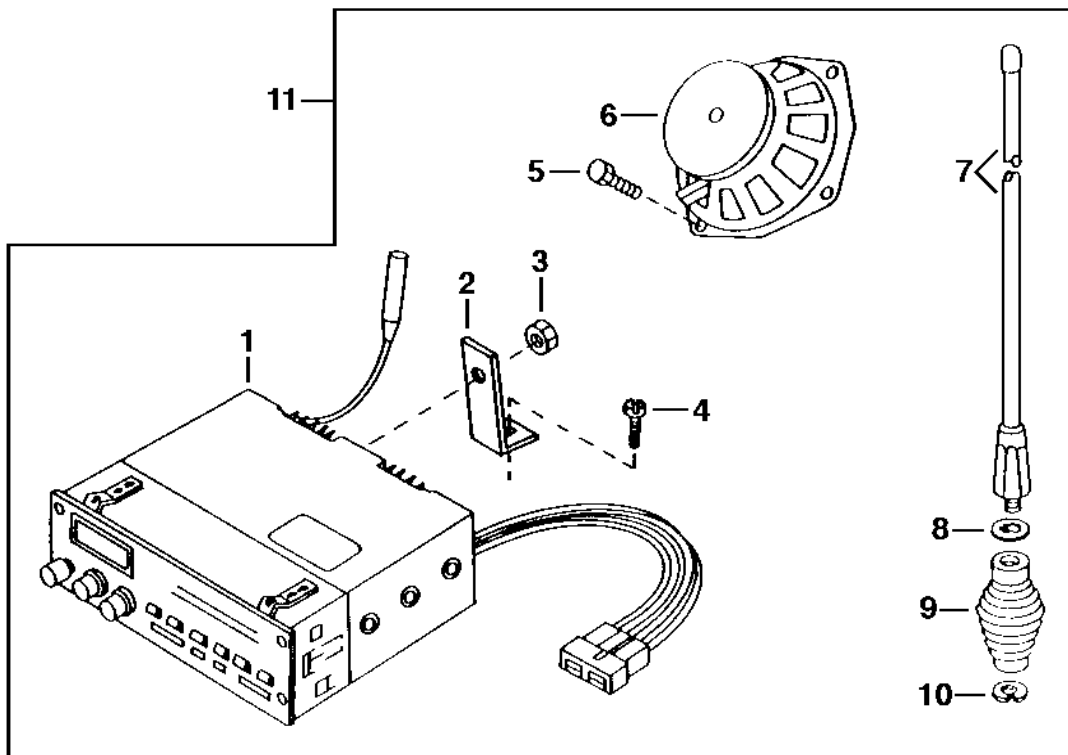
RXP010832

KEY	PART NO.	PART NAME	QTY	CAB SERIAL NO.	A	REMARKS
					L	
1	37M7218	SCREW	16		X	
2	RE61545	SPEAKER	2		X	(FRONT)(6")(4 OHM)
	RE61546	SPEAKER	2		X	(REAR)(6")(4 OHM)
3	R107414	HOUSING	4		X	
4	R120160	CLIP	16		X	
5	R124331	GRILLE	4		X	
6	21M7285	SCREW	12	-XXXXXX	X	M6 X 12
	H123995	SCREW	12	XXXXXX-	X	

3H19

ELECTRICAL

RADIO,ANTENNA AND SPEAKER KIT
 JEU DE RADIO,ANTENNE ET HAUT-PARLEURS
 RADIO,ANTENNE UND LAUTSPRECHER-SATZ
 KIT DELLA RADIO,ANTENNA E DEGLI ALTOPARLANTI
 JUEGO DE RADIO,ANTENA Y ALTOPARLANTE
 RADIO,ANTENN-OCH HOEGTALARSATS
 RE026649 -UN-11DEC95



RE026649

KEY	PART NO.	PART NAME	QTY	CAB SERIAL NO.	A		REMARKS
					L	L	
1	RE64377	RADIO	1		X	(A)	(FI)
	RE64376	RADIO	1		X	(B)	(FI)
2	R113042	BRACKET	1		X		
3	R99233	NUT	1		X		(SUB 14M7297 AND 24M7138)
4	21M7395	SCREW	1		X		M4 X 8
5	37M7218	SCREW	16		X		
6	RE61545	SPEAKER	2		X		(FRONT)(6")(4 OHM)
	RE61546	SPEAKER	2		X		(REAR)(6")(4 OHM)
7	AR104516	ANTENNA	1		X		
8	12H310	LOCK WASHER	1		X		3/8"
9	RE61651	SPRING	1		X		
10	12H302	LOCK WASHER	1		X		1/4"
11	AR116475	KIT	1		X	(A)	(SUB FOR AR112622) (FI)
	AR116476	KIT	1		X	(B)	(SUB FOR AR112623) (FI)

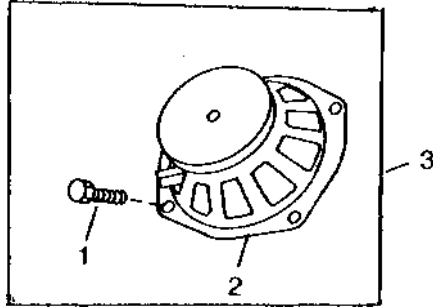
(A)AM/FM STEREO
 STEREO MA/MF
 AM/FM STEREO
 STEREO AM/FM
 AM/FM ESTEREOFONICO
 AM/FM STEREO

(B)AM/FM STEREO/CASSETTE/WEATHERBAND
 STEREO MA/MF-LECTEUR DE CASSETTE-BANDE METEOROLOGIE
 AM/FM STEREO/KASSETTE/WETTER-FREQUEZBAND
 STEREO AM/FM/CASSETTE/BANDA METEOROLOGICA
 AM/FM ESTEREOFONICO/TOCACINTAS/BANDA METEOROLOGICA
 AM/FM STEREO/KASSETT/VAEDERBAND

3H20

ELECTRICAL

REAR SPEAKER(KIT)(EUROPEAN VERSION)
 JEU DE HAUT-PARLEUR ARRIERE(VERSION EUROPEENNE)
 HINTERER LAUTSPRECHERSATZ(EUROPEAEISCHE AUSFUEHRUNG)
 KIT DELL'ALTOPARLANTE ANTERIORE(VERSIONE EUROPEA)
 JUEGO DE ALTOPARLANTE TRASERO(VERSION EUROPEA)
 BAKRE HOEGTALARSATS(EUROPEISK VERSION)
 RXP011213 -UN-01JAN94



RXP011213

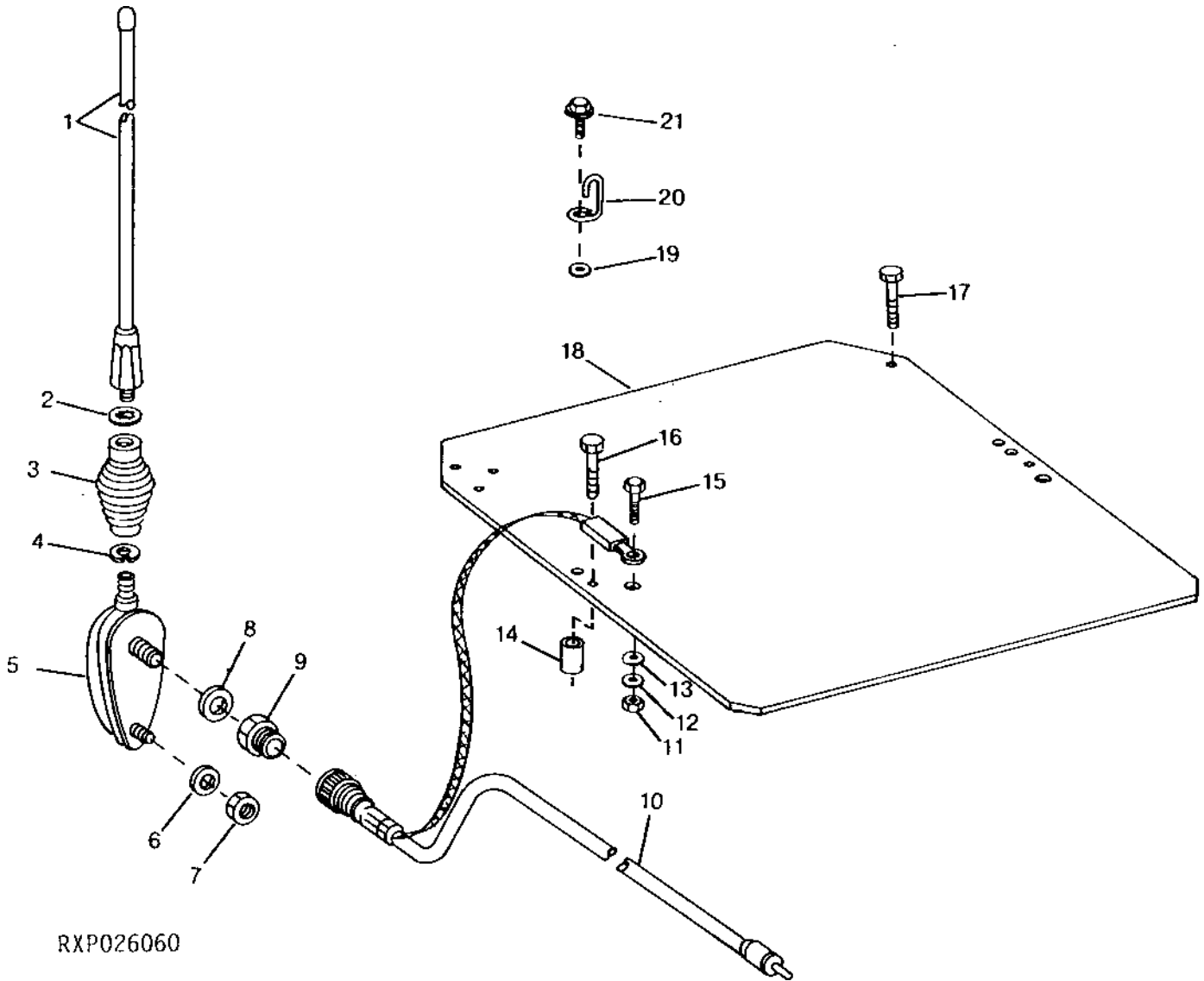
KEY	PART NO.	PART NAME	QTY	CAB SERIAL NO.	A	REMARKS
					L	
1	37M7218	SCREW	8		X	
2	RE61546	SPEAKER	2		X	(6")(4 OHM)
3	AR114564	KIT	1		X	(FI)

MEMORANDA
MEMORANDA
MEMORANDA
MEMORANDA
MEMORANDA

3H21

ELECTRICAL

RADIO ANTENNA
RADIO, ANTENNE
RADIO ANTENNE
ANTENNA RADIO
ANTENA DE RADIO
RADIOANTENN
RXP026060 -UN-07MAR95



3H22

ELECTRICAL

KEY	PART NO.	PART NAME	QTY	CAB SERIAL NO.	A L L	REMARKS
1	AR104516	ANTENNA	1		X	
2	12H310	LOCK WASHER	1		X	
3	RE61651	SPRING	1		X	
4	12H302	LOCK WASHER	1		X	1/4"
5	RE61648	BASE	1		X	
	R131991	CAP	1		X	W/O RADIO
6	24M7088	WASHER	1		X	6.600 X 12 X 1.600 MM
7	14H786	NUT	1		X	
8	R47172	WASHER	1		X	33/64" X 0.900" X 0.048"
9	R76695	NUT	1		X	
10	RE61650	CABLE	1		X	
11	14M7166	LOCK NUT	1		X	M8
12	12M7032	LOCK WASHER	1		X	8.400 MM
13	24M7055	WASHER	1		X	8.400 X 16 X 1.600 MM
14	R115968	SPACER	2		X	
15	19M7932	CAP SCREW	1		X	M8 X 16, HS 10.9
16	19M7979	SCREW	2		X	M8 X 55
17	19M7875	CAP SCREW	2		X	(A)
18	R125325	PLANE	1		X	(B) (-)
19	24M7100	WASHER	1		X	
20	R126033	HOOK	1		X	
21	R117569	SCREW	1		X	

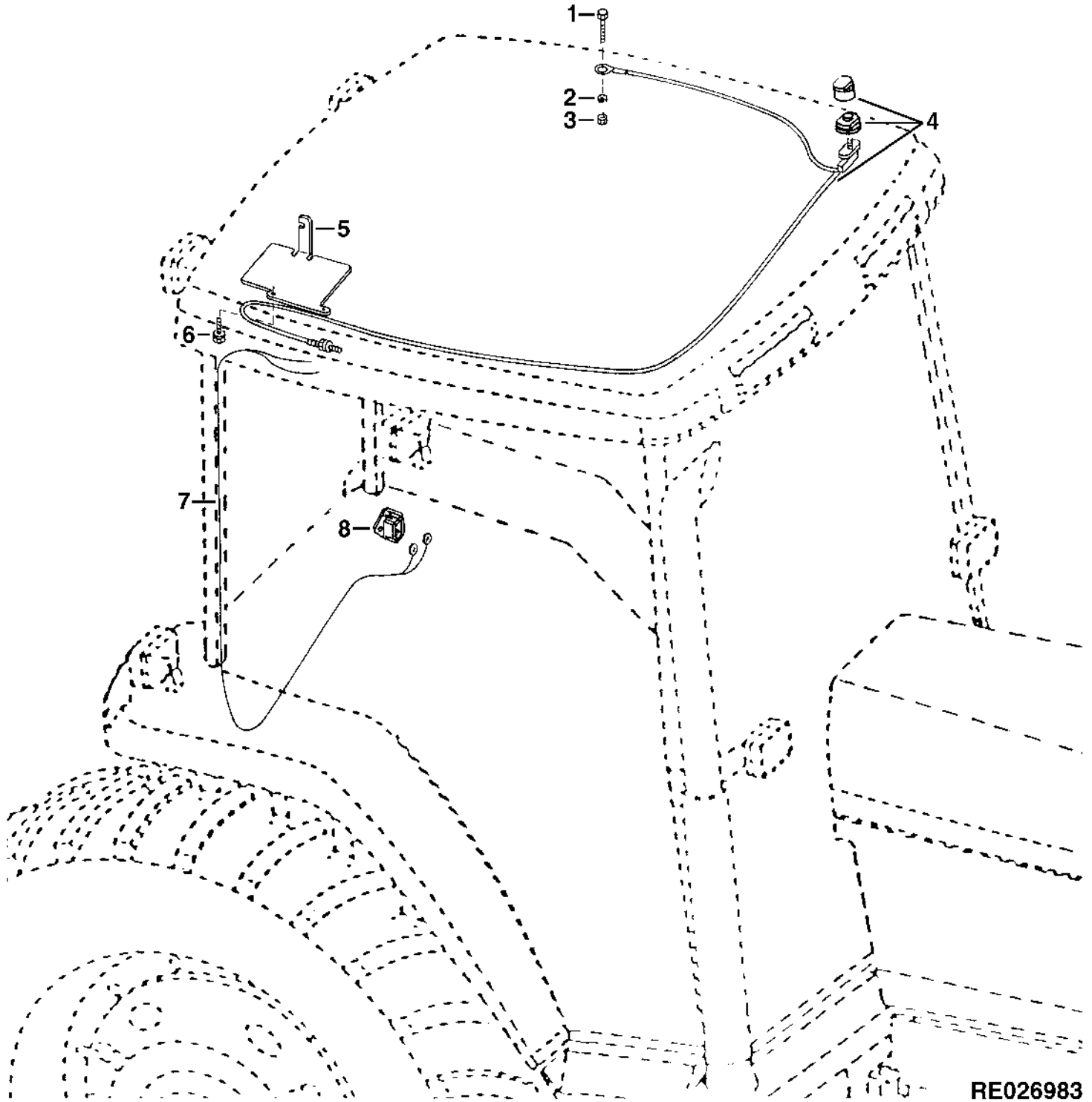
(A)EUROPEAN VERSION
 VERSION EUROPEENNE
 EUROPÄISCHE AUSFUEHRUNG
 VERSIONE EUROPEA
 VERSION EUROPEA
 EUROPEISK VERSION

(B)ANTENNA GROUND
 ANTENNE,MASSE
 ANTENNENMASSE
 MESSA A TERRA DELL ANTENNA
 TIERRA DE A ANTENA
 ANTENNJORD

3H23

ELECTRICAL

ANTENNA CABLE AND RADIO BRACKET(MOBILE RADIO)(8100,8200,8300,8400 TSN 010000-)
ANTENNE CABLE ET SUPPORT RADIO(RADIO MOBILE)(8100,8200,8300,8400 TSN 010000-)
ANTENNE KABEL MIT RADIO-HALTERRUNG(FUNKGERAET)(8100,8200,8300,8400 TSN 010000-)
ANTENNA CAVO E STAFFA DELLA RADIO(RADIO PORTATILE)(8100,8200,8300,8400 TSN 010000-)
ESCUADRA DE ANTENA CABLES Y RADIO(TRANSECTOR DE RADIO)(8100,8200,8300,8400 TSN 010000-)
ANTENN KABELVAJER-OCH RADIO(MOBILRADIO)(8100,8200,8300,8400 TSN 010000-)
RE026983 -UN-06AUG96



RE026983

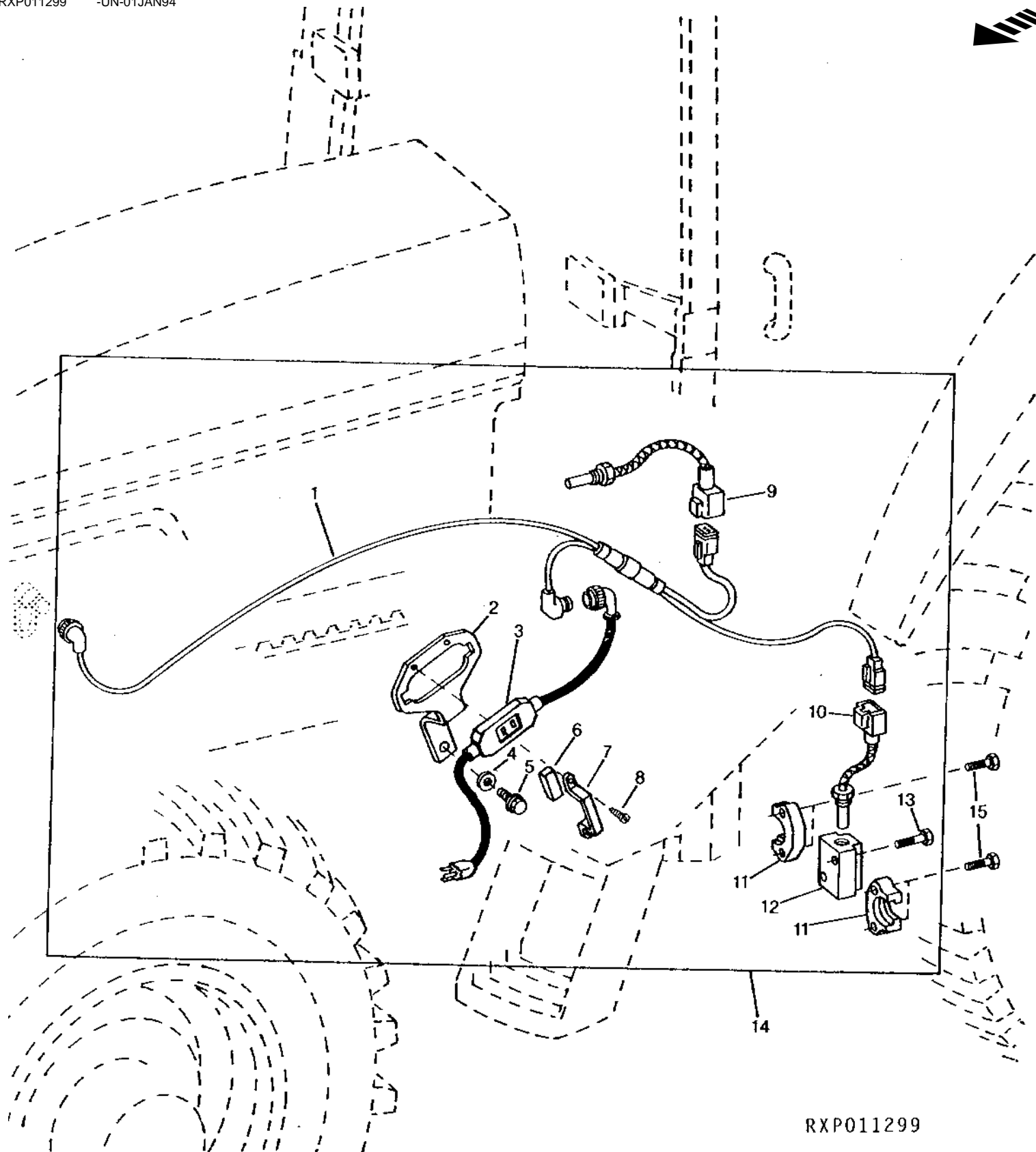
3H24

ELECTRICAL

KEY	PART NO.	PART NAME	QTY	CAB SERIAL NO.	A L L	REMARKS
1	19M7932	CAP SCREW	1		X	M8 X 16
2	12M7032	LOCK WASHER	1		X	8.400 MM
3	14M7166	LOCK NUT	1		X	M8
4	RE70019	CABLE	1		X	
5	R134326	PLATE	1		X	
6	R126355	SCREW	2		X	
7	RE67820	WIRING HARNESS	1		X	
	R41440	GROMMET	1		X	
8	R111931	JUNCTION BLOCK	1		X	

COLD WEATHER START KIT(NORTH AMERICAN VERSION)
 JEU D'AIDE AU DEMARRAGE PAR TEMPS FROID(VERSION NORD AMERICAINE)
 KALTSTART-BAUSATZ(NORDAMERIKANISCHE AUSFUEHRUNG)
 KIT AVVIAMENTO PER LA STAGIONE FREDDA(VERSIONE NORDAMERICANA)
 CONJUNTO DE ARRANQUE PARA TIEMPO FRIO(VERSION NORTEAMREICANA)
 SATS FOER START I KALLT VAEDERNORDAMERIKANSK VERSION)

RXP011299 -UN-01JAN94



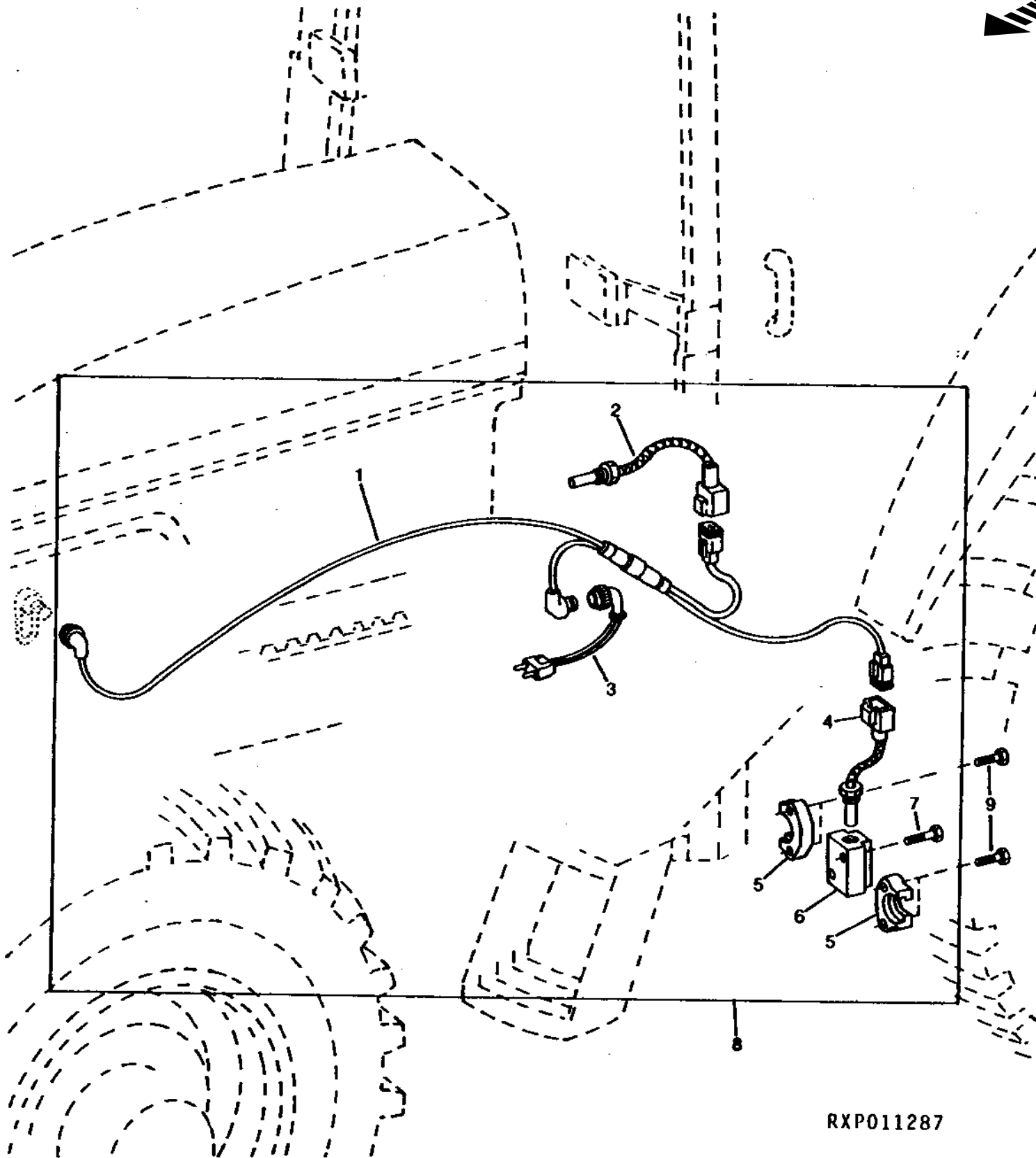
RXP011299

KEY	PART NO.	PART NAME	QTY	TRACTOR SERIAL NO.	A L L	REMARKS
1	RE55891	POWER CORD	1		X	
2	AR113795	BRACKET	1		X	
3	RE153289	MODULE	1		X	(SUB FOR RE52427)
	R152283	LABEL	1		X	
4	24M7051	WASHER	1		X	21 X 37 X 3 MM
5	19M7946	CAP SCREW	1		X	M20 X 40
6	R117260	STRIP	2		X	
7	R117185	STRAP	2		X	
8	37M7089	SCREW	4		X	M6 X 12
9	RE61760	HEATER	1		X	(A)
10	RE61760	HEATER	1		X	(B)
11	R125563	FLANGE FITTING	2		X	
12	R122537	HOUSING	1		X	
13	19M8513	SCREW	2		X	M6 X 40
14	RE56234	KIT	1		X	(FI) (110 V)
15	19M8011	CAP SCREW	4		X	M12 X 30, HS 10.9

(A)TRANSMISSION
BOITE DE VITESSES
GETRIEBE
TRANSMISSIONE
TRANSMISSION
KRAFTOEVERFOERING

(B)GEAR PUMP
POMPE A ENGRENAGES
ZAHNRADPUMPE
POMPA A INGRANAGGI
BOMBA DE ENGRANAJES
KUGGHJULSPUMP

COLD WEATHER START KIT(EUROPEAN VERSION)
 JEU D'AIDE AU DEMARRAGE PAR TEMPS FROID(VERSION EUROPEENNE)
 KALTSTART-BAUSATZ(EUROPAEISCHE AUSFUEHRUNG)
 KIT AVVIAMENTO PER LA STAGIONE FREDDA(VERSIONE EUROPEA)
 CONJUNTO DE ARRANQUE PARA TIEMPO FRIO(VERSION EUROPEA)
 SATS FOER START I KALLT VAEDER(EUROPEISK VERSION)
 RXP011287 -UN-01JAN94



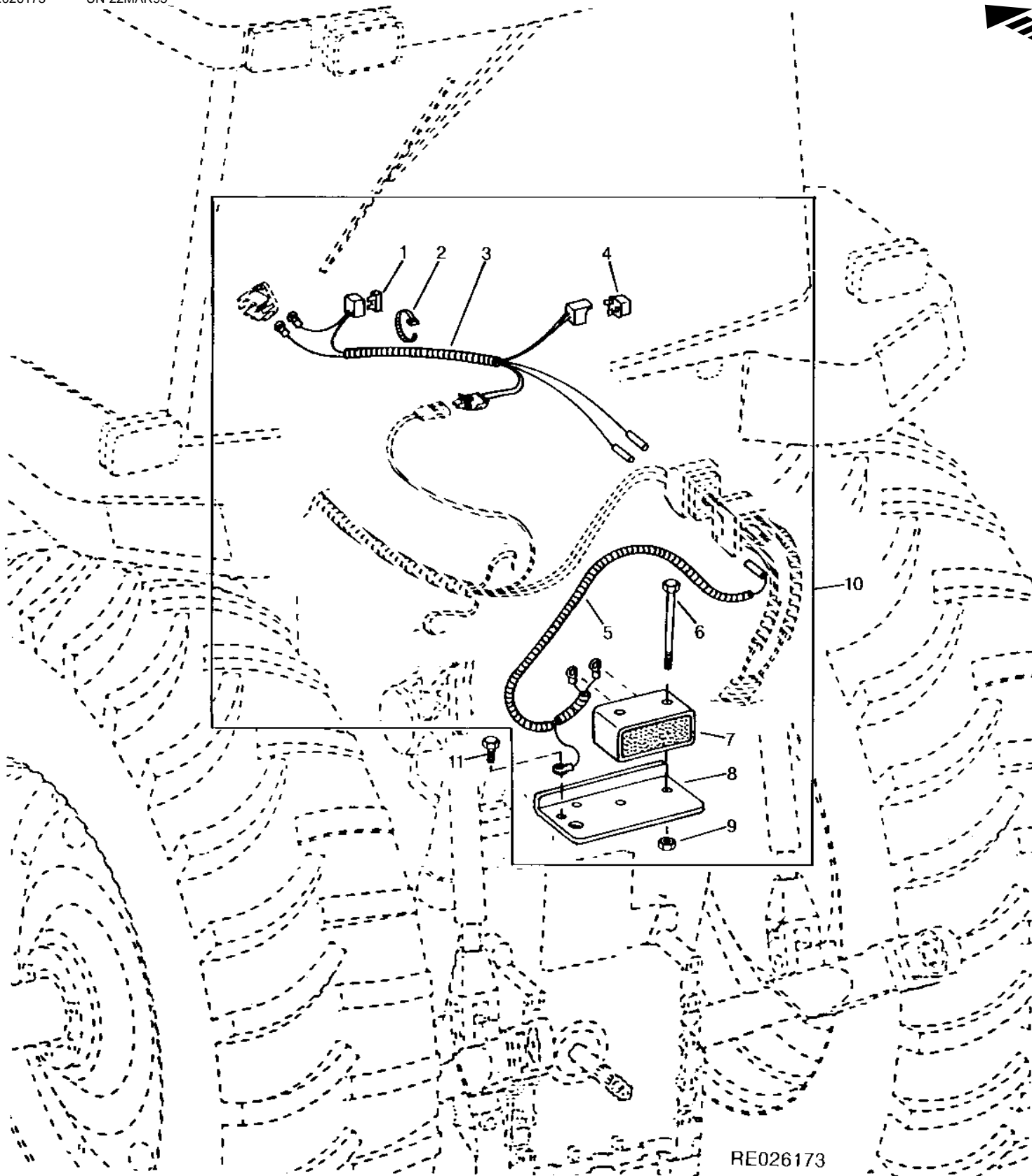
RXP011287

KEY	PART NO.	PART NAME	QTY	TRACTOR SERIAL NO.	A	REMARKS
					L	
1	RE55976	POWER CORD	1		X	
2	RE61760	HEATER	1		X	(A)
3	AR87079	POWER CORD	1		X	
4	RE61760	HEATER	1		X	(B)
5	R125563	FLANGE FITTING	2		X	
6	R122537	HOUSING	1		X	
7	19M8513	SCREW	2		X	M6 X 40
8	RE56235	KIT	1		X	(FI) (220 V)
9	19M8011	CAP SCREW	1		X	HS 10.9

(A)TRANSMISSION
BOITE DE VITESSES
GETRIEBE
TRANSMISSIONE
TRANSMISSION
KRAFTOEVERFOERING

(B)GEAR PUMP
POMPE A ENGRENAGES
ZAHNRADPUMPE
POMPA A INGRANAGGI
BOMBA DE ENGRANAJES
KUGGHJULSPUMP

BACK-UP ALARM KIT
AVERTISSEUR DE MARCHÉ ARRIÈRE, JEU DE PIÈCES
RUECKSTOSS-WARNANLAGE
KIT DEL SEGNALATORE RETROMARCIA
CONJUNTO DE ALAEMA DE RETROCESO
BACKNINGSSIGNALSATS
RE026173 -UN-22MAR95



RE026173

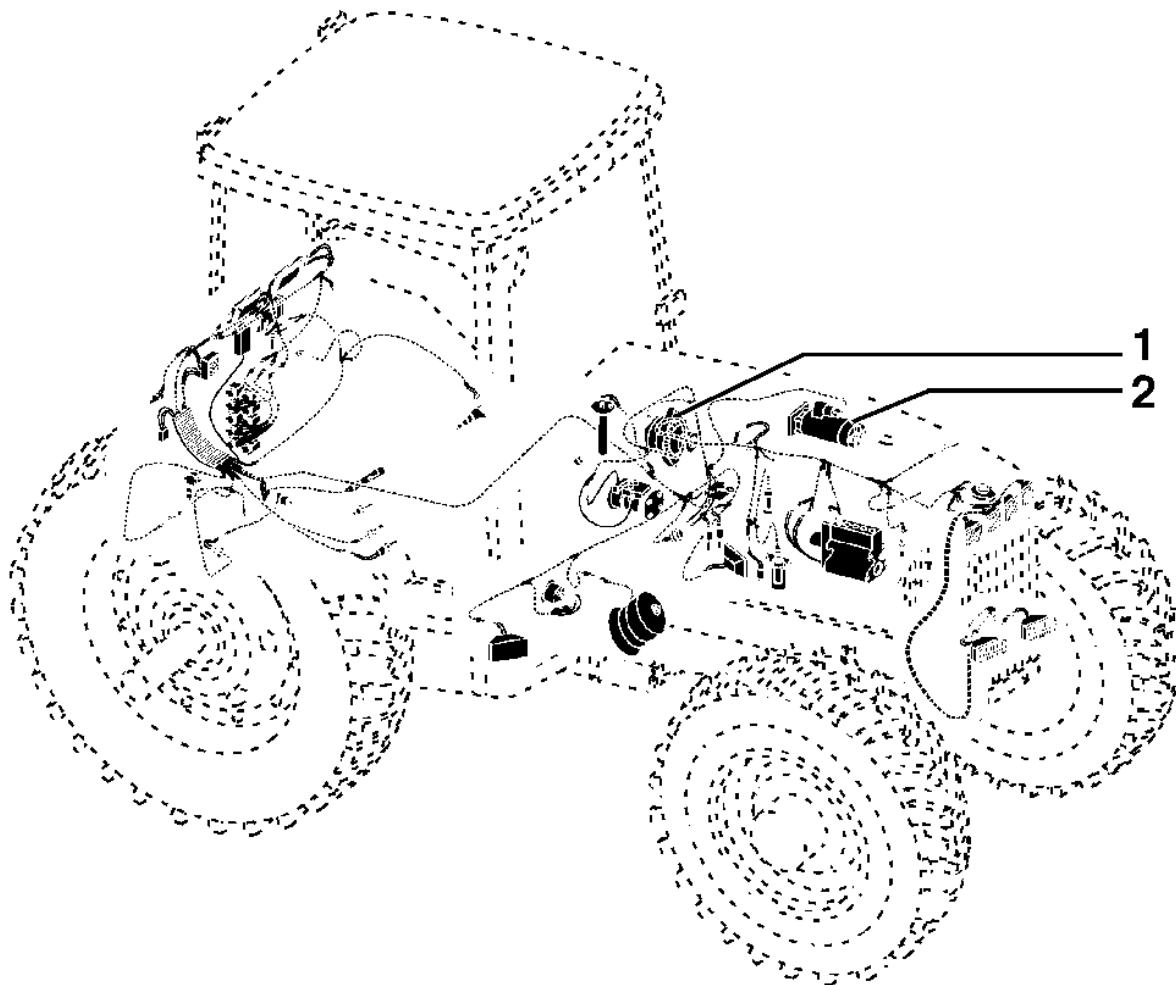
KEY	PART NO.	PART NAME	QTY	TRACTOR SERIAL NO.	A L L	REMARKS
1	57M7121	FUSE	1		X	10 AMP
2	R44302	TIE BAND	1		X	
3	RE58718	WIRING HARNESS	1		X	
4	RE48876	RELAY	1		X	40 AMP
5	RE58719	WIRING HARNESS	1		X	
6	19M7408	CAP SCREW	2		X	M10 X 90
7	AT78534	BACK-UP ALARM	1		X	
8	R111982	BRACKET	2		X	
9	14M7296	FLANGE NUT	2		X	M10
10	RE61779	KIT	1		X	(FI)
11	19M8242	SCREW	2		X	M12 X 16, HS 10.9

MEMORANDA
MEMORANDA
MEMORANDA
MEMORANDA
MEMORANDA

SECTIONAL INDEX
GRUPPENINDEX
INDEX DE SECTION
INDICE DELLA SEZIONE
INDICE DE SECCION
GRUPPSFORTECKNING

RE029120 -UN-11MAY99

1 -	3I11
3 -	3I22
4 -	3I23



RE029120

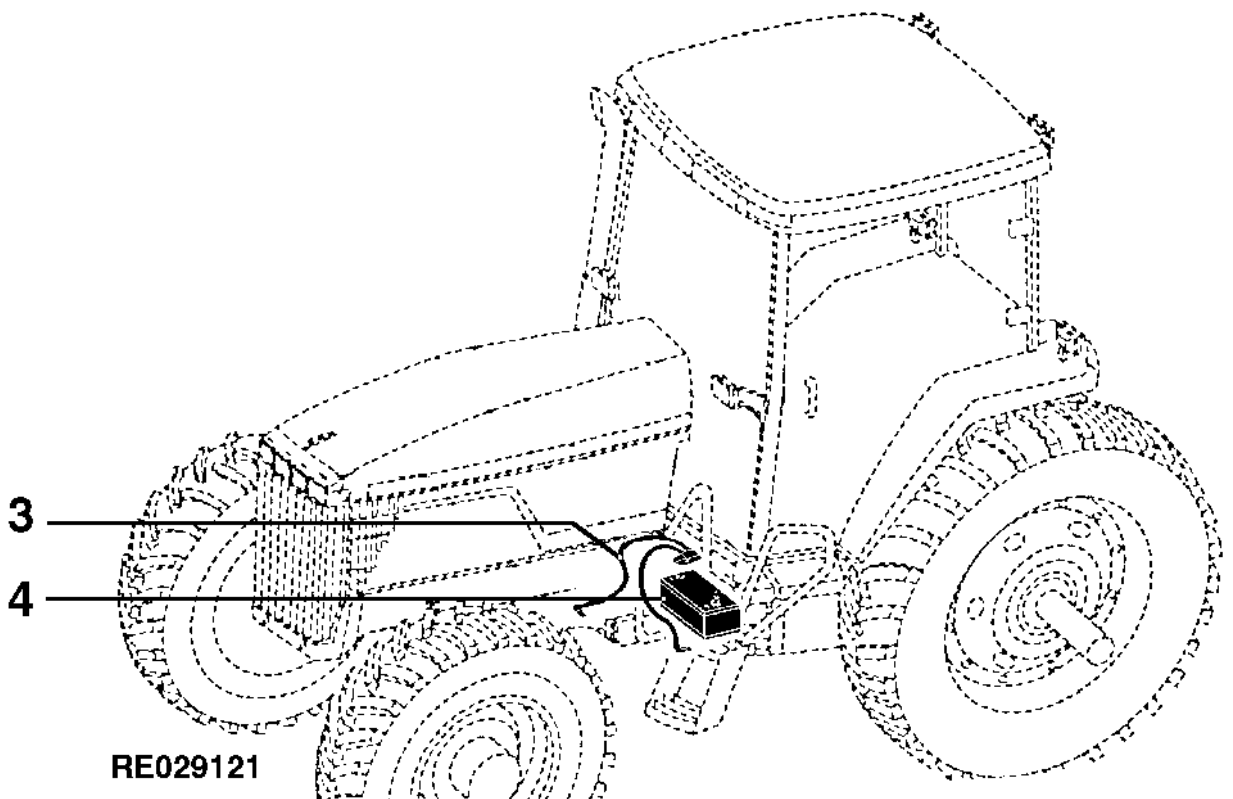
3110

ALTERNATOR, STARTER, BATTERY AND BATTERY CABLES

SECTIONAL INDEX
GRUPPENINDEX
INDEX DE SECTION
INDICE DELLA SEZIONE
INDICE DE SECCION
GRUPPSFORTECKNING

RE029121 -UN-10MAY99

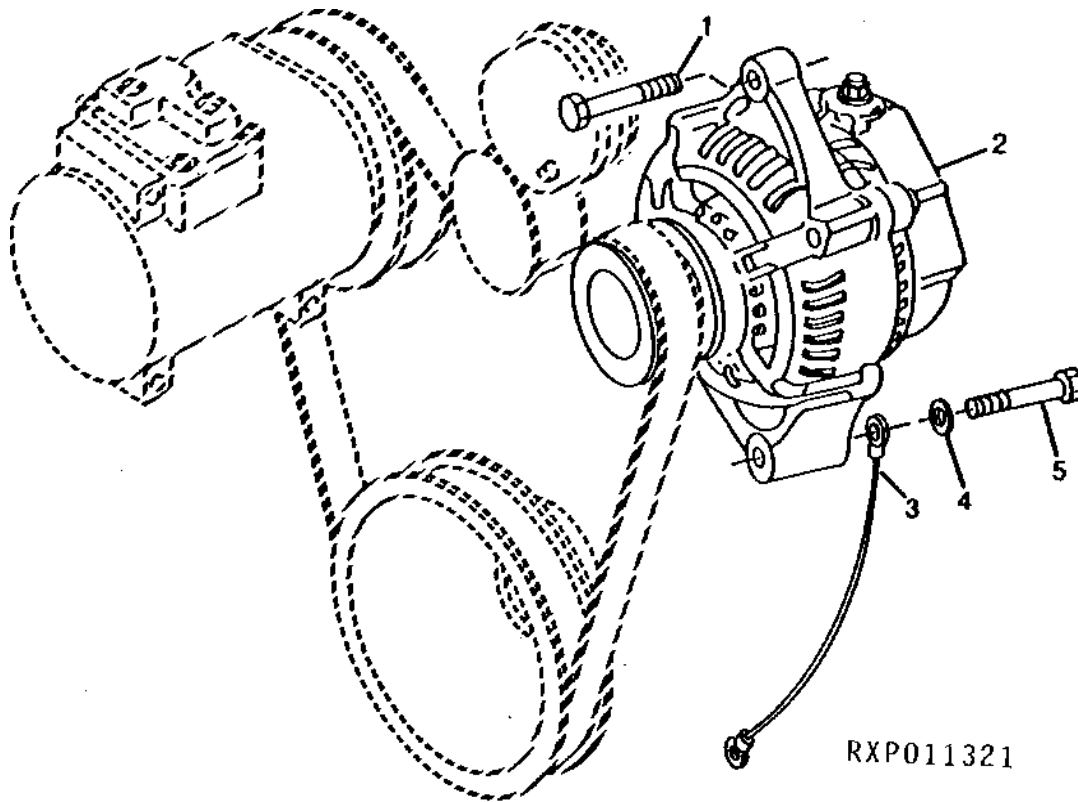
1 -	3111
3 -	3122
4 -	3123



3111

ALTERNATOR, STARTER, BATTERY AND BATTERY CABLES

ALTERNATOR
 ALTERNATEUR
 DREHSTROM-GENERATOR
 ALTERNATORE
 ALTERNADOR
 VAXELSTROMSGENERATOR
 RXP011321 -UN-01JAN94



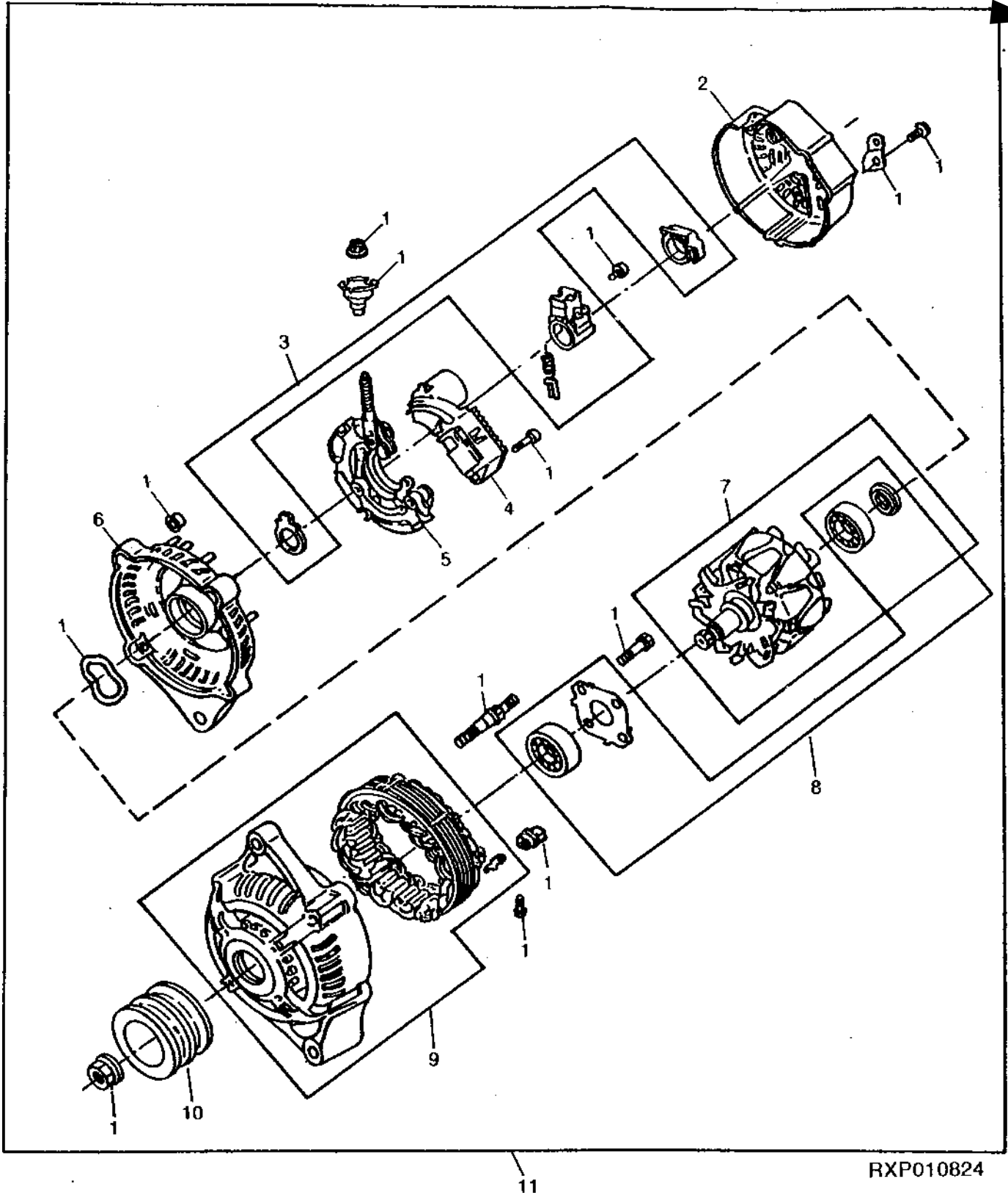
KEY	PART NO.	PART NAME	QTY	ENGINE SERIAL NO.	A	REMARKS
					L	
1	19M7328	CAP SCREW	1		X	M10 X 70
2	RE46608	ALTERNATOR	1		X	(NIPPONDENSO)(140 AMPS)
	TY6762	ALTERNATOR	1		X	(A) (140 AMPS)
3	RE40588	WIRING LEAD	1		X	(-)
4	24M7239	WASHER	1		X	10.700 X 21 X 2.500 MM
5	19M7997	CAP SCREW	1		X	M8 X 110

(A)REMANUFACTURED
 ECHANGE STANDARD
 GENERAUEBERHOLT
 RIGATTO
 REFABRICADO POR
 RENOVERAD

3112

ALTERNATOR, STARTER, BATTERY AND BATTERY CABLES

ALTERNATOR
ALTERNATEUR
DREHSTROM-GENERATOR
ALTERNATORE
ALTERNADOR
VAXELSTROMSGENERATOR
RXP010824 -UN-01JAN94



RXP010824

3113

ALTERNATOR, STARTER, BATTERY AND BATTERY CABLES

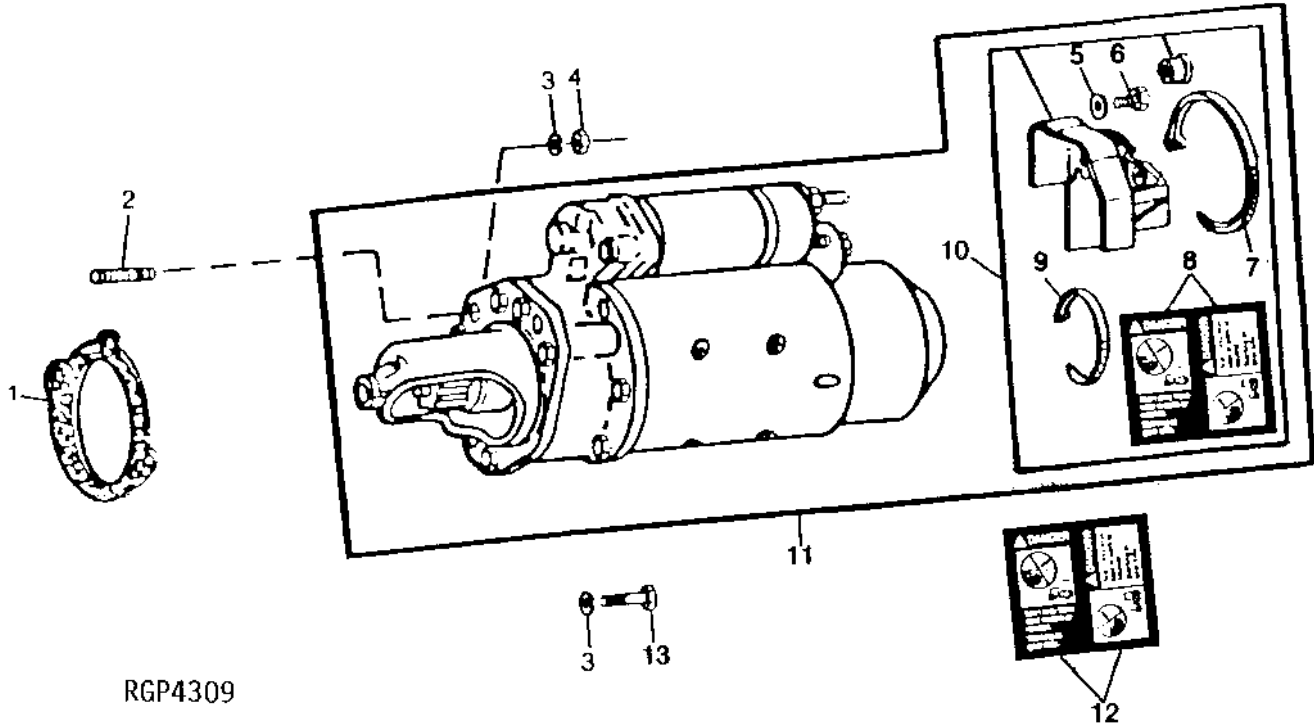
KEY	PART NO.	PART NAME	QTY	ENGINE SERIAL NO.	A L L	REMARKS
1	RE52026	PACKAGE OF PARTS	1		X	
2	R115289	COVER	1		X	
3	RE52028	CARBON BRUSH HOLDER	1		X	
4	RE51297	REGULATOR	1		X	
5	RE51298	RECTIFIER	1		X	
6	R115609	FRAME	1		X	
7	RE51299	ROTOR	1		X	
8	BEARING	1		X	(ORDER RE46608 OR TY6762)
9	RE51300	FRAME	1		X	
10	R114844	PULLEY	1		X	
11	RE46608	ALTERNATOR	1		X	(140 AMP)
..	TY6762	ALTERNATOR	1		X	(A)

(A)REMANUFACTURED
ECHANGE STANDARD
GENERAUEBERHOLT
RIGATTO
REFABRICADO POR
RENOVERAD

3114

ALTERNATOR, STARTER, BATTERY AND BATTERY CABLES

STARTING MOTOR (12V) (6076) (8100,8200,8300 TSN -009999)(DENSO)
 MOTEUR DU DEMARREUR (12V) (6076)(8100,8200,8300 TSN -009999) (DENSO)
 ANLASSER (12V) (6076) (8100,8200,8300 TSN -009999) (DENSO)
 MOTORE D'AVVIAMENTO (12V) (6076) (8100,8200,8300 TSN -009999) (DENSO)
 MOTOR DE ARRANQUE (12V) (6076) (8100,8200,8300 TSN -009999) (DENSO)
 STARTMOTOR (12V) (6076) (8100,8200,8300 TSN -009999) (DENSO)
 RGP4309 -UN-14SEP95



RGP4309

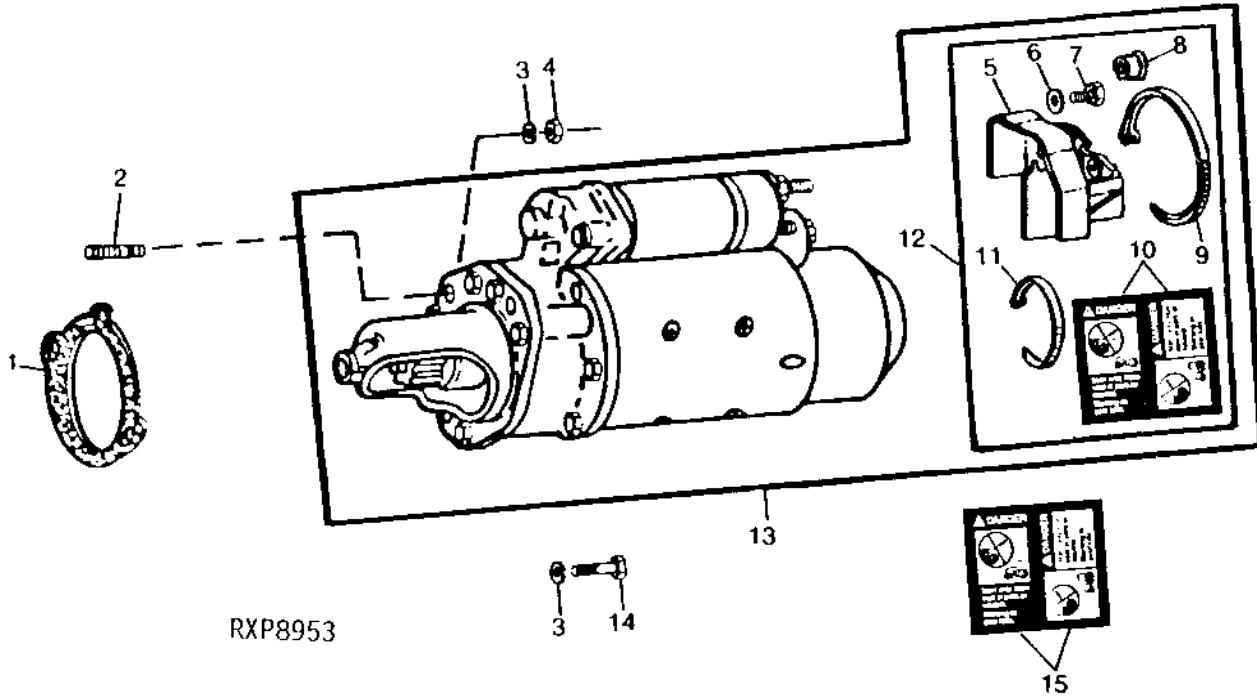
KEY	PART NO.	PART NAME	QTY	ENGINE SERIAL NO.	REMARKS
				8 8 8	
				1 2 3	
				0 0 0	
				0 0 0	
1	GASKET	NA		X X X
2	R114130	STUD	1		X X X (SUB FOR R55396, APPL)
3	24M7096	WASHER	2		X X X 10.500 X 18 X 1.600 MM
4	E55662	FLANGE NUT	1		X X X
5	R104676	SHIM	1		X X X
6	R104646	SCREW	1		X X X
7	H113196	TIE BAND	1		X X X (INCLUDED WITH RE56053)
8	T146102	LABEL	1		X X X (ENGLISH)
9	R44302	TIE BAND	1		X X X
10	RE41758	COVER	1		X X X (USE WITH TY6731)
	RE45329	COVER	1		X X X (USE WITH RE43266)
11	RE56053	STARTER MOTOR	1		X X X (DENSO NO. 128000-2360) (MARKED RE54416) (MARKED RE61516) (CONTAINS RE45329) (SUB RE70957 OR TY6781)
	RE65176	KIT	1		X X X (DENSO NO. 22800-4601) (MARKED RE59589) (SUB RE70957 OR TY6781)
	RE70957	STARTER MOTOR KIT	1		X X X (DENSO NO. 228000-6530) (MARKED RE69704)
	TY6781	STARTER MOTOR	1		X X X (REMANUFACTURED) (DENSO) (CONTAINS RE45329)
12	T146517	SAFETY SIGN	1		X X X (ENGLISH/FRENCH))
	T146104	SAFETY SIGN	1		X X X (FRENCH)
	T146515	SAFETY SIGN	1		X X X (GERMAN)
	T146516	SAFETY SIGN	1		X X X (ITALIAN)
	T146106	SAFETY SIGN	1		X X X (SPANISH)
13	19H3219	CAP SCREW	2		X X X 3/8" X 1-3/8"
..	RE43166	CLAMP	1		X X X

3115

ALTERNATOR, STARTER, BATTERY AND BATTERY CABLES

STARTING MOTOR (12V F4) (6081) (8100,8200,8300 TSN 010000-) (NIPPONDENSO)
 MOTEUR DU DEMARREUR (12V F4) (6081) (8100,8200,8300 TSN 010000-) (NIPPONDENSO)
 MOTEUR DU DEMARREUR (12V F4) (6081) (8100,8200,8300 TSN 010000-) (NIPPONDENSO)
 MOTORE D'AVVIAMENTO (12V F4) (8100,8200,8300 TSN 010000-) (NIPPONDENSO)
 MOTOR DE ARRANQUE (12V F4) (8100,8200,8300 TSN 010000-) (NIPPONDENSO)
 STARTMOTOR (12V F4) (8100,8200,8300 TSN 010000-) (NIPPONDENSO)

RXP8953 -UN-01JAN94



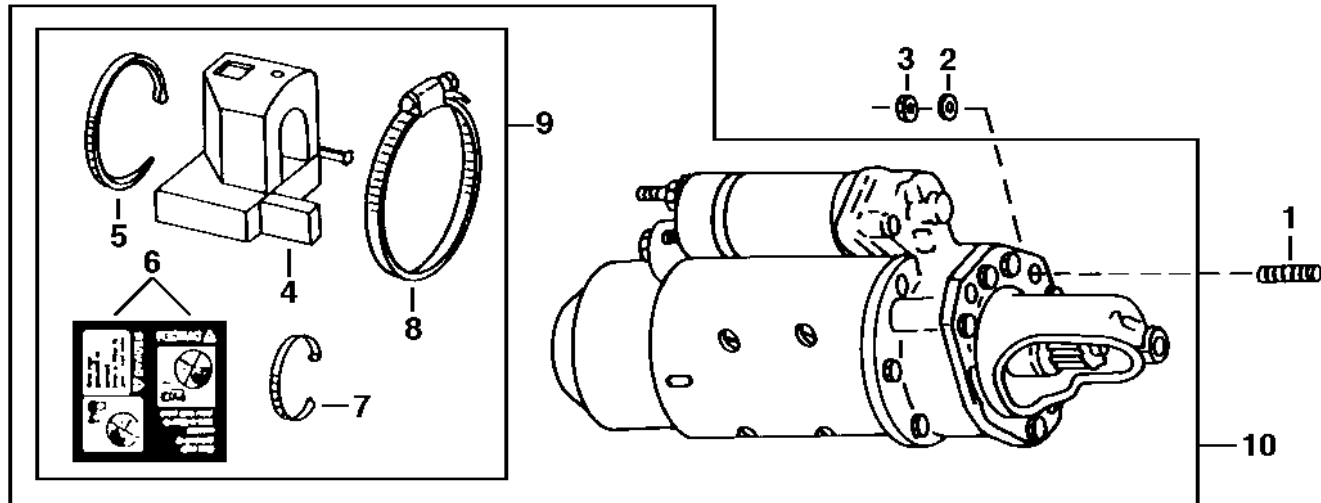
KEY	PART NO.	PART NAME	QTY	ENGINE SERIAL NO.	REMARKS
				8 8 8	
				1 2 3	
				0 0 0	
				0 0 0	
1	GASKET	NA	X X X	
2	R114130	STUD	1	X X X	
3	24M7096	WASHER	2	X X X	10.500 X 18 X 1.600 MM
4	E55662	FLANGE NUT	1	X X X	
5	COVER	1	X X X	(SUB RE45329)
6	R104676	SHIM	1	X X X	
7	R104646	SCREW	1	X X X	
8	R104677	BUSHING	1	X X X	(NO LONGER INCLUDED)
9	H113196	TIE BAND	1	X X X	
10	T146102	LABEL	1	X X X	(ENGLISH)
11	R44302	TIE BAND	1	X X X	
12	RE45329	COVER	1	X X X	
13	RE65103	STARTER MOTOR	1	X X X	(NIPPONDENSO NO. 228000-4630) (MARKED RE65100) (CONTAINS RE45329) (SUB RE70957)
	RE70957	STARTER MOTOR KIT	1	X X X	(NIPPONDENSO NO. 228000-6530) (MARKED RE69704)
14	19H3219	CAP SCREW	2	X X X	3/8" X 1-3/8"
15	T146517	SAFETY SIGN	1	X X X	(ENGLISH/FRENCH))
	T146104	SAFETY SIGN	1	X X X	(FRENCH)
	T146515	SAFETY SIGN	1	X X X	(GERMAN)
	T146516	SAFETY SIGN	1	X X X	(ITALIAN)
	T146106	SAFETY SIGN	1	X X X	(SPANISH)

MEMORANDA
MEMORANDA
MEMORANDA
MEMORANDA
MEMORANDA

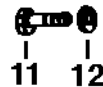
3116

ALTERNATOR, STARTER, BATTERY AND BATTERY CABLES

STARTING MOTOR(8400)
 MOTEUR DU DEMARREUR(8400)
 ANLASSER(8400)
 MOTORE D'AVVIAMENTO(8400)
 MOTOR DE ARRANQUE(8400)
 STARTMOTOR(8400)
 RE026581 -UN-01DEC95



13



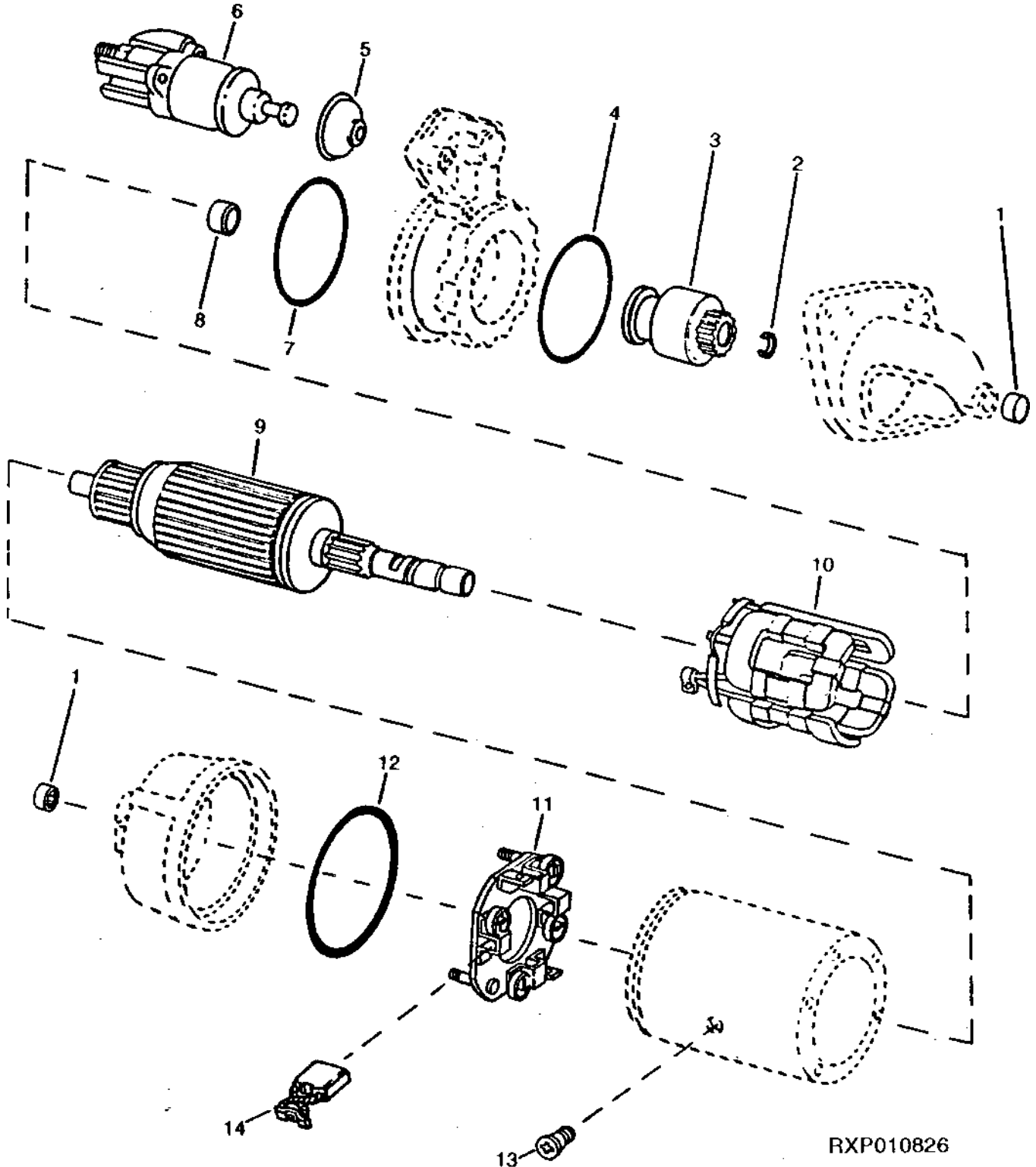
RE026581

KEY	PART NO.	PART NAME	QTY	ENGINE SERIAL NO.	REMARKS
1	R114130	STUD	1	8	X
2	24M7096	WASHER	2	4	X
3	E55662	FLANGE NUT	1	0	X 10.500 X 18 X 1.600 MM
4	COVER	1	0	X (ORDER RE45329) (NIPPONDENSO NO.028033-5330)
5	H113196	TIE BAND	1		X
6	T146102	LABEL	1		X (ENGLISH)
7	R44302	TIE BAND	1		X
8	TY22471	CLAMP	1		X (SUB FOR RE43166)
9	RE45329	COVER	1		X
10	RE65103	STARTER MOTOR	1		X (MARKED RE57483 OR RE65100) (SUB FOR RE61087) (SUB RE70957) (NIPPONDENSO NO.228000-4630)
11	19H3219	CAP SCREW	2		X 3/8" X 1-3/8"
12	12H304	LOCK WASHER	2		X 3/8", (USE WITH RE61087)
13	T146517	SAFETY SIGN	1		X (ENGLISH/FRANCAIS)
	T146104	SAFETY SIGN	1		X (FRANCAIS)
	T146515	SAFETY SIGN	1		X (DEUTSCH)
	T146516	SAFETY SIGN	1		X (ITALIANO)
	T146106	SAFETY SIGN	1		X (ESPANOL)

3117

ALTERNATOR, STARTER, BATTERY AND BATTERY CABLES

STARTING MOTOR(8100,8200,8300,8400)
MOTEUR DU DEMARREUR(8100,8200,8300,8400)
ANLASSER(8100,8200,8300,8400)
MOTORE D'AVVIAMENTO(8100,8200,8300,8400)
MOTOR DE ARRANQUE(8100,8200,8300,8400)
STARTMOTOR (8100,8200,8300,8400)
RXP010826 -UN-01JAN94



RXP010826

3118

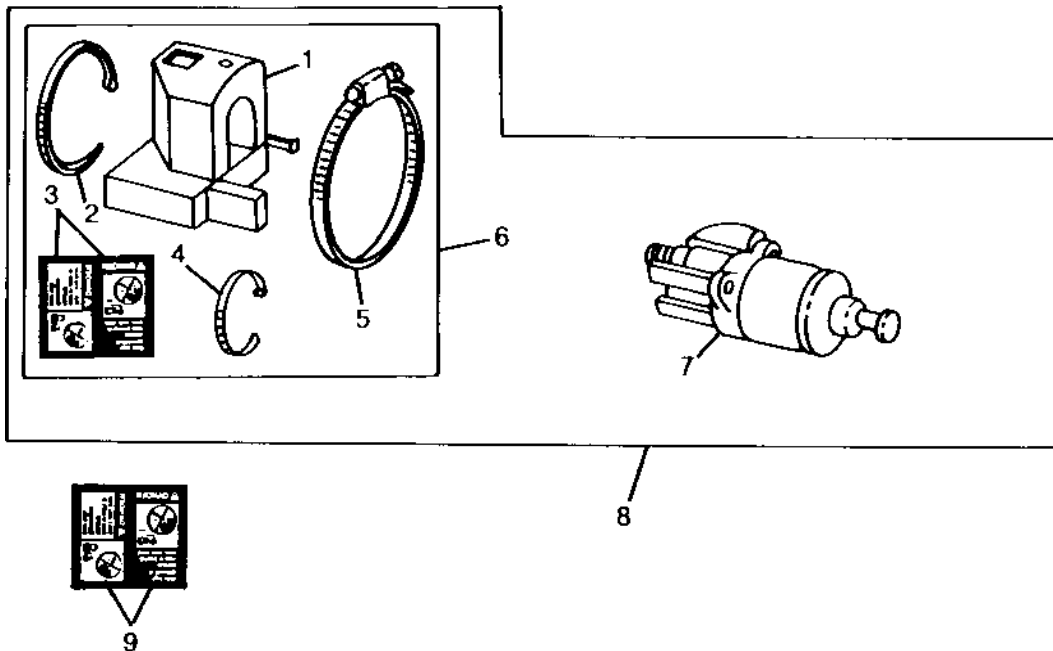
ALTERNATOR, STARTER, BATTERY AND BATTERY CABLES

KEY	PART NO.	PART NAME	QTY	ENGINE SERIAL NO.	A L L	REMARKS
1	RE39251	NEEDLE BEARING	2		X	
2	R50902	SNAP RING	1		X	
3	RE39249	CLUTCH	1		X	
4	R50901	WASHER	1		X	
5	R100513	COVER	1		X	
6	RE42777	SWITCH	1		X	(NIPPONDENSO NO.053400-9891)
7	R100511	O-RING	1		X	
8	R100509	BUSHING	1		X	
9	RE39243	FIELD WINDING COIL	1		X	
10	RE39245	ARMATURE	1		X	
11	RE39250	CARBON BRUSH HOLDER	1		X	
12	R100512	O-RING	1		X	
13	R100508	SCREW	4		X	
14	RE39247	BRUSH	4		X	
..	RE56053	STARTER MOTOR	1	-009999		(A) (8100,8200,8300) (NIPPONDENSO NO. 128000-2360) (MARKED RE54416) (SUB TY6781)
..	RE65176	KIT	1	-009999		(A) (MARKED RE59589) (SUB TY6781) (8100,8200,8300)(NIPPONDENSO NO.22800-4610)
..	TY6781	STARTER MOTOR	1	-009999		(A) (B) (8100,8200,8300)
..	RE65103	STARTER MOTOR	1	010000-		(A) (MARKED RE57483 OR RE65100) (SUB RE70957) (8100,8200,8300) (NIPPONDENSO NO.228000-4630)
..	RE65103	STARTER MOTOR	1			(8400) (NIPPONDENSO NO. 228000-4630) (MARKED RE57483 OR RE65100) (SUB RE70957)
..	R124581	DUST SHIELD	1			

(A)TSN
TSN
TSN
TSN
TSN
TSN

(B)REMANUFACTURED
ECHANGE STANDARD
GENERAUEBERHOLT
RIGATTO
REFABRICADO
RENOVERAD

STARTER SOLENOID SWITCH
 COMMUTEUR MAGNETIQUE DE DEMARREUR
 ANLASSER-MAGNETSCHALTER
 TELERUTTORE DI AVVIAMENTO
 INTERRUPTOR DE SOLENIIDE DE ARRANQUE
 SOLENOIDKONTAKT FOER STARTMOTOR
 RXP026046 -UN-07MAR95



RXP026046

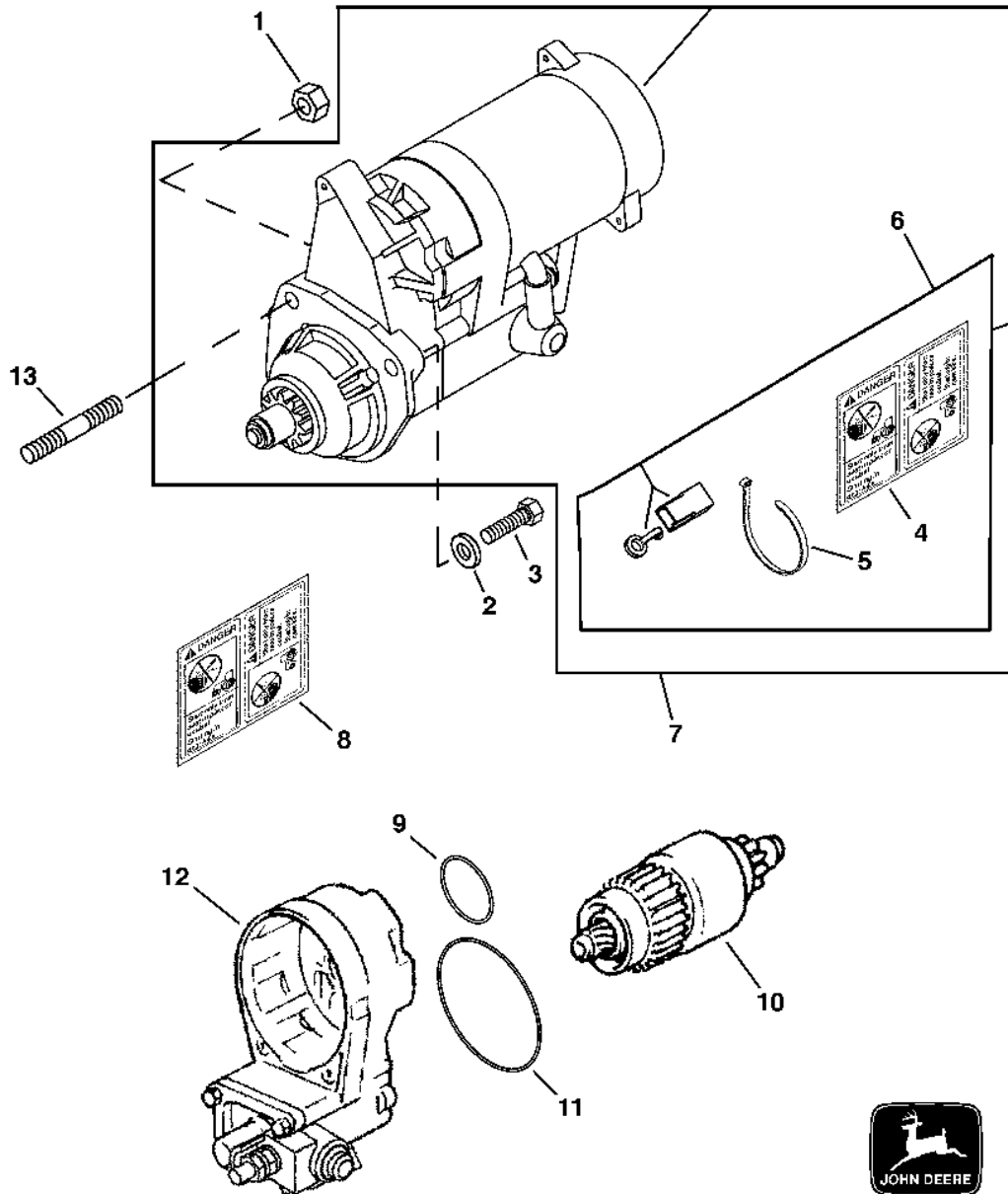
KEY	PART NO.	PART NAME	QTY	ENGINE SERIAL NO.	REMARKS	
					A	L
1	COVER	1		X	(ORDER RE45329) (NIPPONDENSO NO.028033-5330)
2	H113196	TIE BAND	1		X	
3	T146102	LABEL	1		X	(ENGLISH)
4	R44302	TIE BAND	1		X	
5	TY22471	CLAMP	1		X	(SUB FOR RE43166)
6	RE45329	COVER	1		X	(USE WITH RE56053, RE65103 OR RE65176)
7	RE42777	SWITCH	1		X	(USE WITH RE56053, RE65103 OR RE65176) (NIPPONDENSO NO.053400-9891)
8	RE45330	SWITCH	1		X	(USE WITH RE56053, RE65103 OR RE65176)
9	T146106	SAFETY SIGN	1		X	(ESPANOL)
	T146104	SAFETY SIGN	1		X	(FRANCAIS)
	T146515	SAFETY SIGN	1		X	(DEUTSCH)
	T146516	SAFETY SIGN	1		X	(ITALIANO)
	T146517	SAFETY SIGN	1		X	(ENGLISH/FRANCAIS)

MEMORANDA
MEMORANDA
MEMORANDA
MEMORANDA
MEMORANDA

3120

ALTERNATOR, STARTER, BATTERY AND BATTERY CABLES

STARTING MOTOR(8100,8200,8300,8400)
MOTEUR DU DEMARREUR(8100,8200,8300,8400)
ANLASSER (8100,8200,8300,8400)
MOTORE D'AVVIAMENTO(8100,8200,8300,8400)
MOTOR DE ARRANQUE(8100,8200,8300,8400)
STARTMOTOR(8100,8200,8300,8400)
RGP4851 -UN-11FEB97



RGP4851

3121

ALTERNATOR, STARTER, BATTERY AND BATTERY CABLES

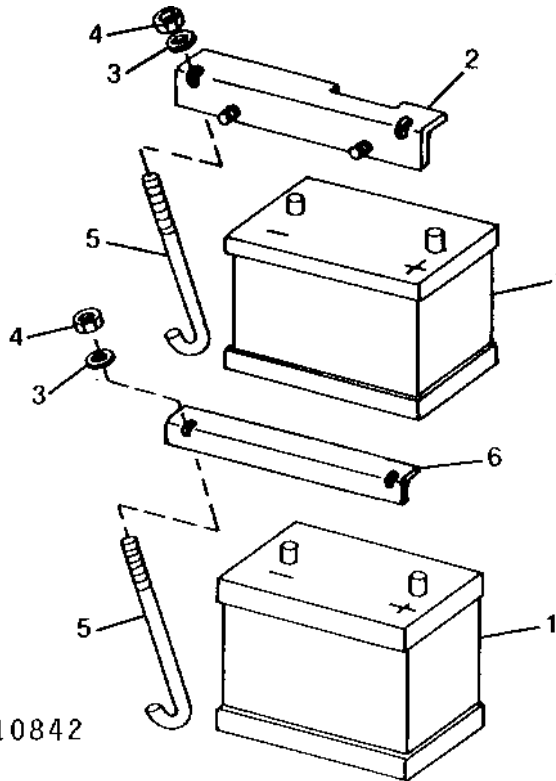
KEY	PART NO.	PART NAME	QTY	ENGINE SERIAL NO.	A L L	REMARKS
1	E55662	FLANGE NUT	1		X	
2	24H1303	WASHER	2		X	13/32" X 11/16" X 0.065"
3	19H3219	CAP SCREW	2		X	3/8" X 1-3/8"
4	T146102	LABEL	1		X	(ENGLISH)
5	R96703	TIE BAND	1		X	
6	RE70756	KIT	1		X	
7	RE70957	STARTER MOTOR KIT	1		X	(MARKED RE69704) (SUB FOR RE65103) (NIPPONDENSO NO.228000-6530)
8	T146106	SAFETY SIGN	1		X	(ESPANOL)
	T146104	SAFETY SIGN	1		X	(FRANCAIS)
	T146515	SAFETY SIGN	1		X	(DEUTSCH)
	T146516	SAFETY SIGN	1		X	(ITALIANO)
	T146517	SAFETY SIGN	1		X	(ENGLISH/FRANCAIS)
9	R135510	O-RING	1		X	
10	RE70487	CLUTCH	1		X	
11	R135509	SEAL	1		X	
12	RE70486	SWITCH	1		X	
13	R114130	STUD	1		X	

3122

ALTERNATOR, STARTER, BATTERY AND BATTERY CABLES

BATTERY
BATTERIE
BATTERIE
BATERIA
BATERIA
BATTERI
RXP010842

-UN-01JAN94



RXP010842

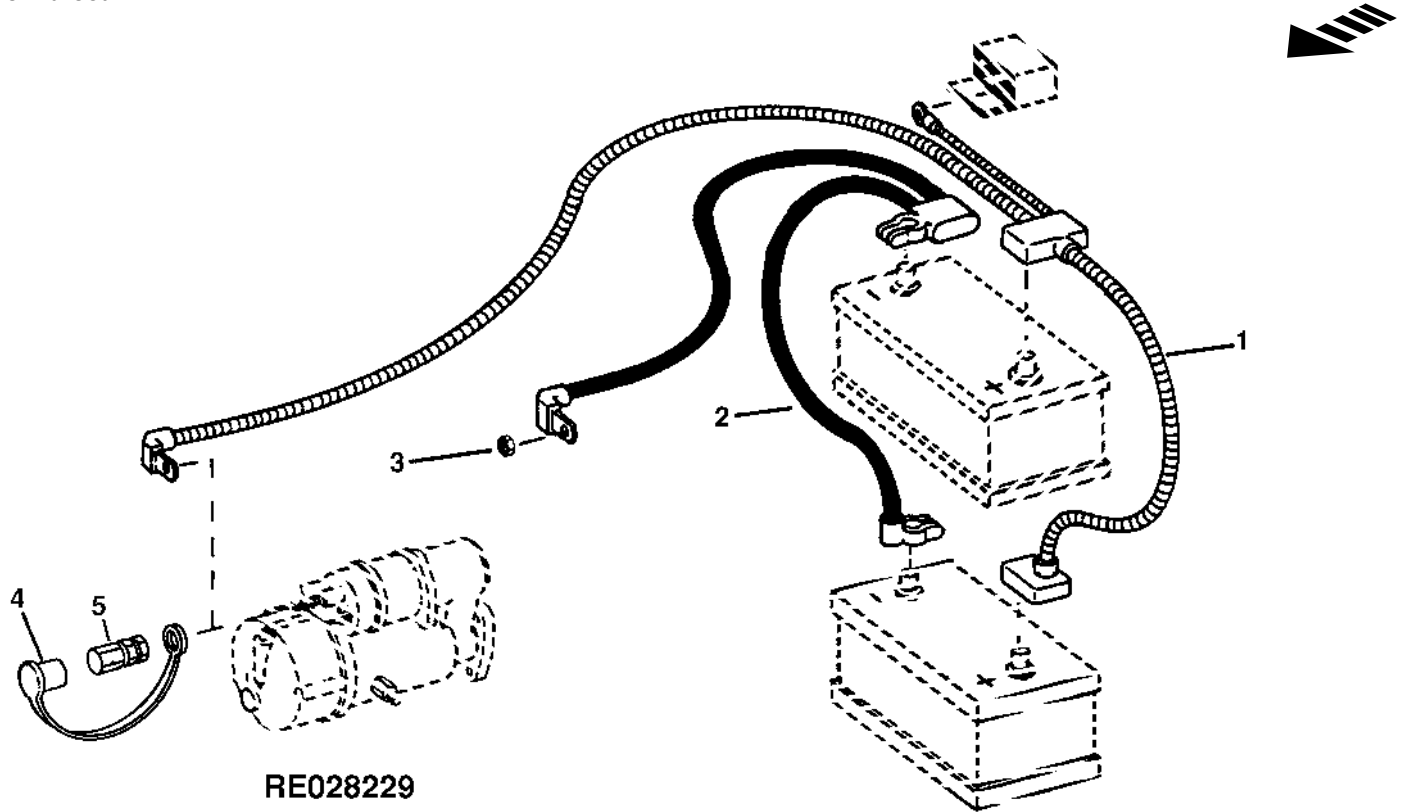
KEY	PART NO.	PART NAME	QTY	TRACTOR SERIAL NO.	A	
					L	L
					REMARKS	
1	TY6128	BATTERY	2		X	(A) 12V
2	RE55999	BRACKET	1		X	
3	24M7088	WASHER	4		X	
4	14M7272	NUT	4		X	M6
5	M71107	HOOK BOLT	4		X	
6	R119989	ANGLE	1		X	
..	R125472	TAG	1		X	(ENGLISH)
..	R120119	TAG	1		X	(FRANCAIS/ENGLISH)
..	R120120	TAG	1		X	(ESPANOL)

(A)950 COLD CRANKING AMPS
950 AMPERES EN DEMARRAGE A FROID
950 KALTSTART AMPERES
MOTORINO DI AVVIAMENTO 950
950 AMP DE ARRANQUE EN FRIO
STARTSTROEM,KALL MOTOR

3123

ALTERNATOR, STARTER, BATTERY AND BATTERY CABLES

BATTERY CABLES
 BATTERIE CABLES
 BATTERIE KABEL
 BATERIA CABLES
 BATTERIA CAVI
 BATTERI KABELVAJRAR
 RE028229 -UN-20AUG97



RE028229

KEY	PART NO.	PART NAME	QTY	TRACTOR SERIAL NO.	A	REMARKS
					L	
1	RE44581	CABLE	1	-XXXXXX	X	(A) (+)
	RE71543	CABLE	1	XXXXXX-	X	(B) (+)
2	RE44582	CABLE	1		X	(-)
3	14M7274	NUT	1		X	M10
4	R96066	COVER	1		X	
5	RE39659	TERMINAL	1		X	(USE WITH RE56053, RE65103, RE65176 OR TY6781) (+)
	R135871	TERMINAL	1		X	(USE WITH RE70957) (+)

(A)(-XXXXXX)8100-012002;8200-011672;8300-012165;8400-012257
 (B)(XXXXXX-)8100-012003;8200-011673;8300-012166;8400-012258

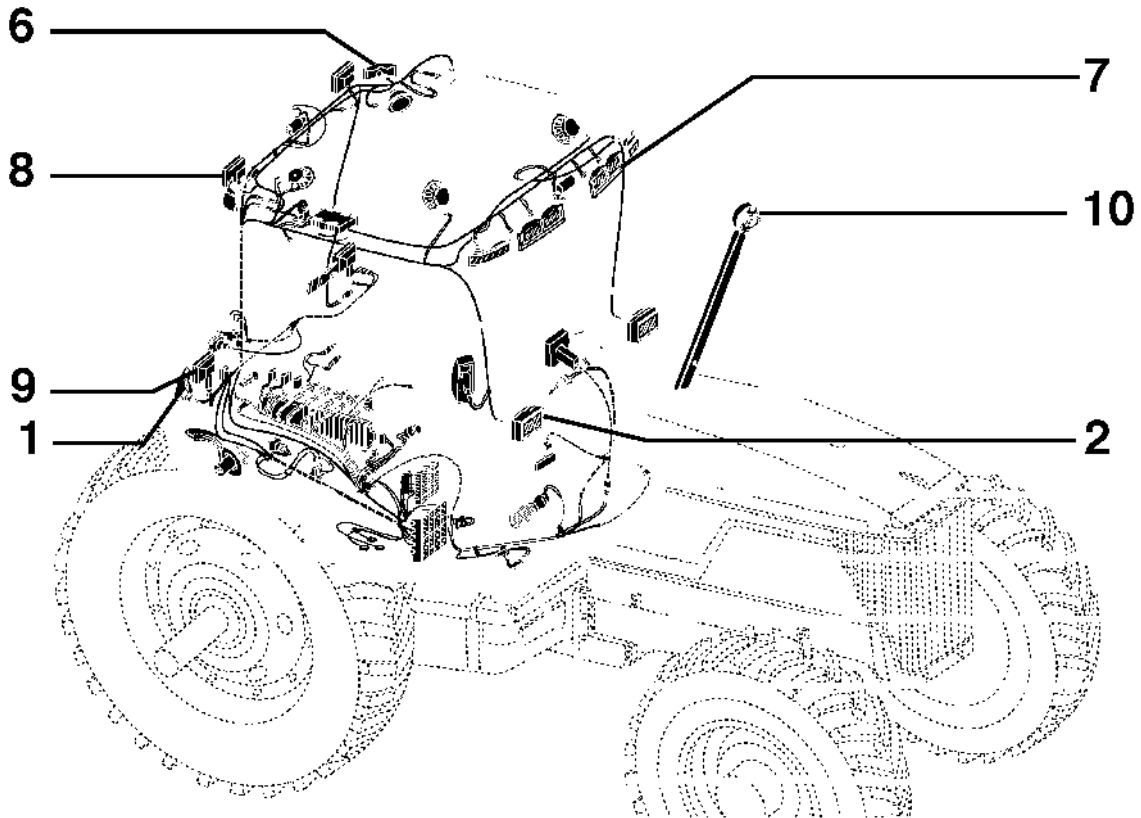
MEMORANDA
MEMORANDA
MEMORANDA
MEMORANDA
MEMORANDA

4D3

SECTIONAL INDEX
GRUPPENINDEX
INDEX DE SECTION
INDICE DELLA SEZIONE
INDICE DE SECCION
GRUPPSFORTECKNING

RE029268 -UN-10MAY99

1 -	4D5
2 -	4D8
3 -	4D12
4 -	4D15
5 -	4D16
6 -	4D18
7 -	4D19
8 -	4D20
9 -	4D22
10 -	4D24



RE029268

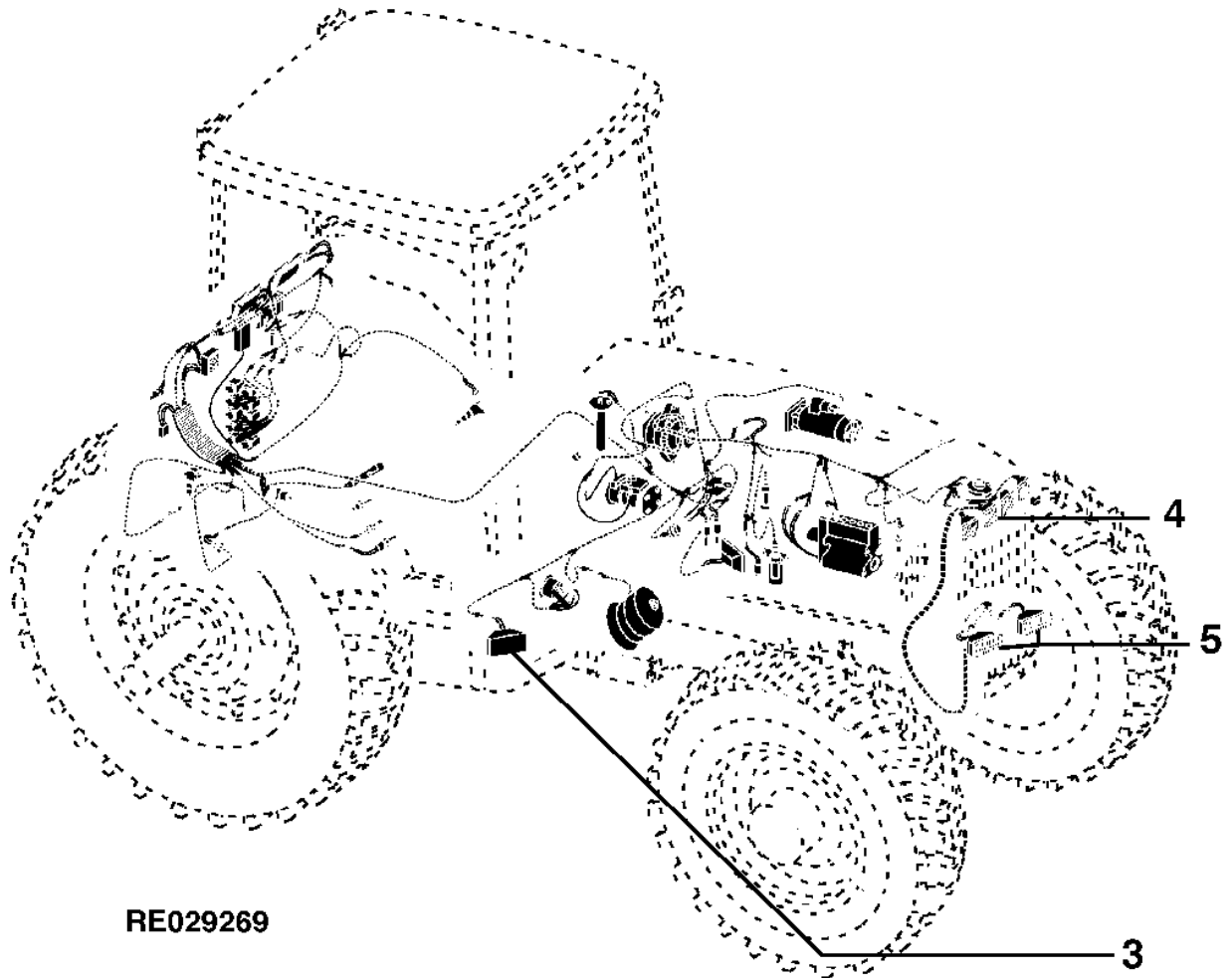
4D4

LIGHTS

SECTIONAL INDEX
GRUPPENINDEX
INDEX DE SECTION
INDICE DELLA SEZIONE
INDICE DE SECCION
GRUPPSFORTECKNING

RE029269 -UN-10MAY99

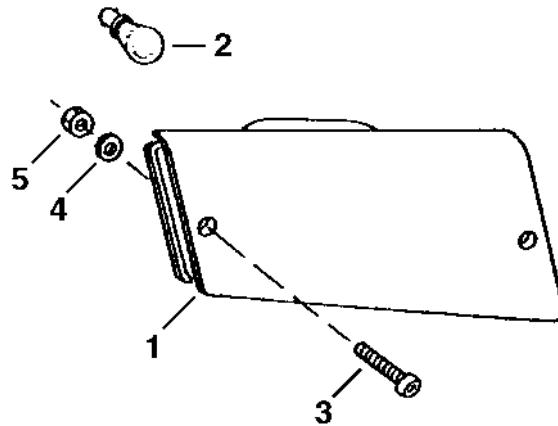
1 -	4D5
2 -	4D8
3 -	4D12
4 -	4D15
5 -	4D16
6 -	4D18
7 -	4D19
8 -	4D20
9 -	4D22
10 -	4D24



4D5

LIGHTS

TAIL LIGHTS(NORTH AMERICAN VERSION)
 FEUX ARRIERE(VERSION NORD AMERICAINE)
 SCHLUSSLEUCHTEN(NORDAMERIKANISCHE AUSFUEHRUNG)
 LUCI CODA(VERSIONE NORDAMERICANA)
 LUCES PILOTO TRASERAS(VERSION NORTEAMERICANA)
 BAKLJUS(NORDAMERIKANSK VERSION)
 RE026519 -UN-15SEP95



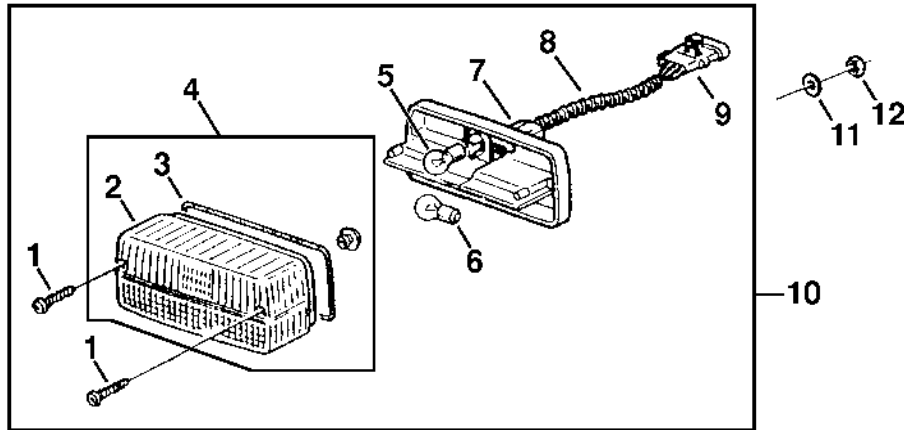
RE026519

KEY	PART NO.	PART NAME	QTY	TRACTOR SERIAL NO.	A	
					L	REMARKS
1	RE48954	LENS	1		X	RH
	RE48955	LENS	1		X	LH
2	RE49778	BULB	1		X	(GE3157)
3	R131432	SCREW	2		X	(SUB FOR R115908)
4	24M7262	WASHER	2		X	5.300 X 10 X 1 MM
5	14M7265	LOCK NUT	2		X	M5

4D6

LIGHTS

TAIL LIGHT(EUROPEAN VERSION)(8100,8200,8200,8400 -009999)
 FEUX ARRIERE(VERSION EUROPEENNE)(8100,8200,8200,8400 -009999)
 SCHLUSSEUCHTEN(EUROPAEISCHE AUSFUEHRUNG)(8100,8200,8200,8400 -009999)
 LUCI CODA(VERSIONE EUROPEA)(8100,8200,8200,8400 -009999)
 LUCES PILOTO TRASERAS(VERSION EUROPEA)(8100,8200,8200,8400 -009999)
 BAKLJUS(EUROPEISK VERSION)(8100,8200,8200,8400 -009999)
 RE028292 -UN-05SEP97

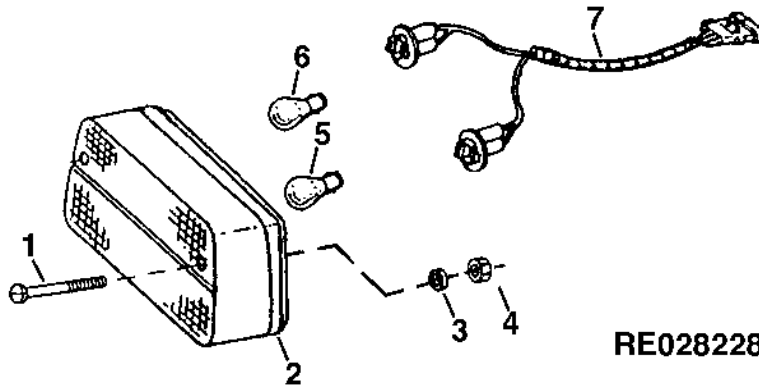


RE028292

KEY	PART NO.	PART NAME	QTY	TRACTOR SERIAL NO.	A	REMARKS
					L	
1	37M7177	SCREW	2		X	
2	AL112474	LENS	1		X	(SUB FOR AL78137)
3	L79690	GASKET	1		X	
4	AL112011	TAIL LAMP	1		X	(SUB FOR AL75405)
5	57M7014	BULB	1		X	21W
6	57M7011	BULB	1		X	21W/5W
7	57M7349	CONNECTOR	1		X	(ALSO ORDER 57M7347, (4) R104846 AND (4) 57M7258)
8	AL113022	WIRING HARNESS	1		X	(USE WITH AL112964)
9	57M7244	CONNECTOR	1		X	(ALSO ORDER 57M7318, (4) R104919 AND (4) 57M7258)
10	AL112964	TAIL LAMP	2		X	(SUB FOR AL77138 OR AL112012)
11	24M7333	WASHER	4		X	5.300 X 10 X 1 MM
12	14M7480	NUT	4		X	M5

4D7

TAIL LIGHT(EUROPEAN VERSION)(8100,8200,8300,8400 010000-)
 FEUX ARRIERE(VERSION EUROPEENNE)(8100,8200,8300,8400 010000-)
 SCHLUSSEUCHTEN(EUROPAEISCHE AUSFUEHRUNG)(8100,8200,8300,8400 010000-)
 LUCI CODA(VERSIONE EUROPEA)(8100,8200,8300,8400 010000-)
 LUCES PILOTO TRASERAS(VERSION EUROPEA)(8100,8200,8300,8400 010000-)
 BAKLJUS(EUROPEISK VERSION)(8100,8200,8300,8400 010000-)
 RE028228 -UN-06AUG97

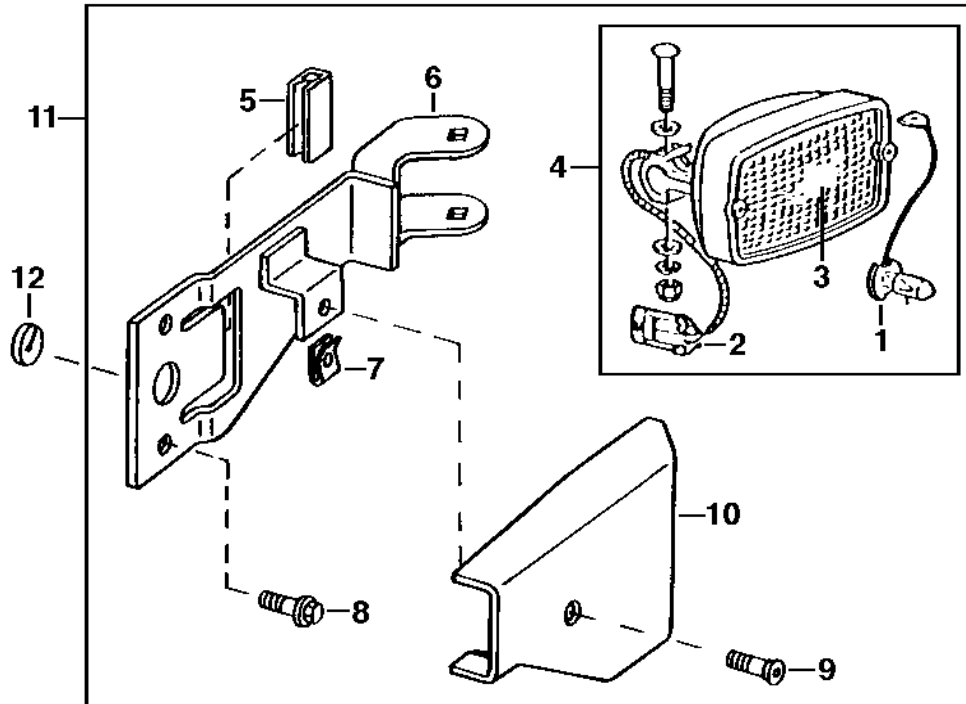


KEY	PART NO.	PART NAME	QTY	TRACTOR SERIAL NO.	A	REMARKS
					L	
1	21M7452	SCREW	4		X	M6 X 90
2	RE67285	LENS	2		X	
3	24M7244	WASHER	4		X	6.400 X 12 X 1.600 MM
4	14M7480	NUT	4		X	M5
5	R133301	BULB	2		X	21W (GE1057)
6	R133302	BULB	2		X	21W/5W (GE1077)
7	RE71246	WIRING HARNESS	2		X	(SUB FOR RE69341)

4D8

LIGHTS

WORKLAMPS(CAB)(NORTH AMERICAN VERSION)(8100 -00280 1;8200 -002215;8300 -003900;8400 -002531)
 PROJECTEURS DE TRAVAIL(CABINE)(VERSION N. A.)(8100 -002801;8200 -002215;8300 -003900;8400 -002531)
 ARBEITSLEUCHTEN(FAHRERKABINE)(NORD A.)(8100 -002801;8200 -002215;8300 -003900;8400 -002531)
 FANALI DI LAVORO(CABINA)(VERSIONE N.A.)(8100 -002801;8200 -002215;8300 -003900;8400 -002531)
 LUCES DE TRABAJO(CABINA)(VERSION N.A.)(8100 -002801;8200 -002215;8300 -003900;8400 -002531)
 ARBETSLYKTOR(HYTT)(N.A. VERSION)(8100 -002801;8200 -002215;8300 -003900;8400 -002531)
 RE026685 -UN-19DEC95



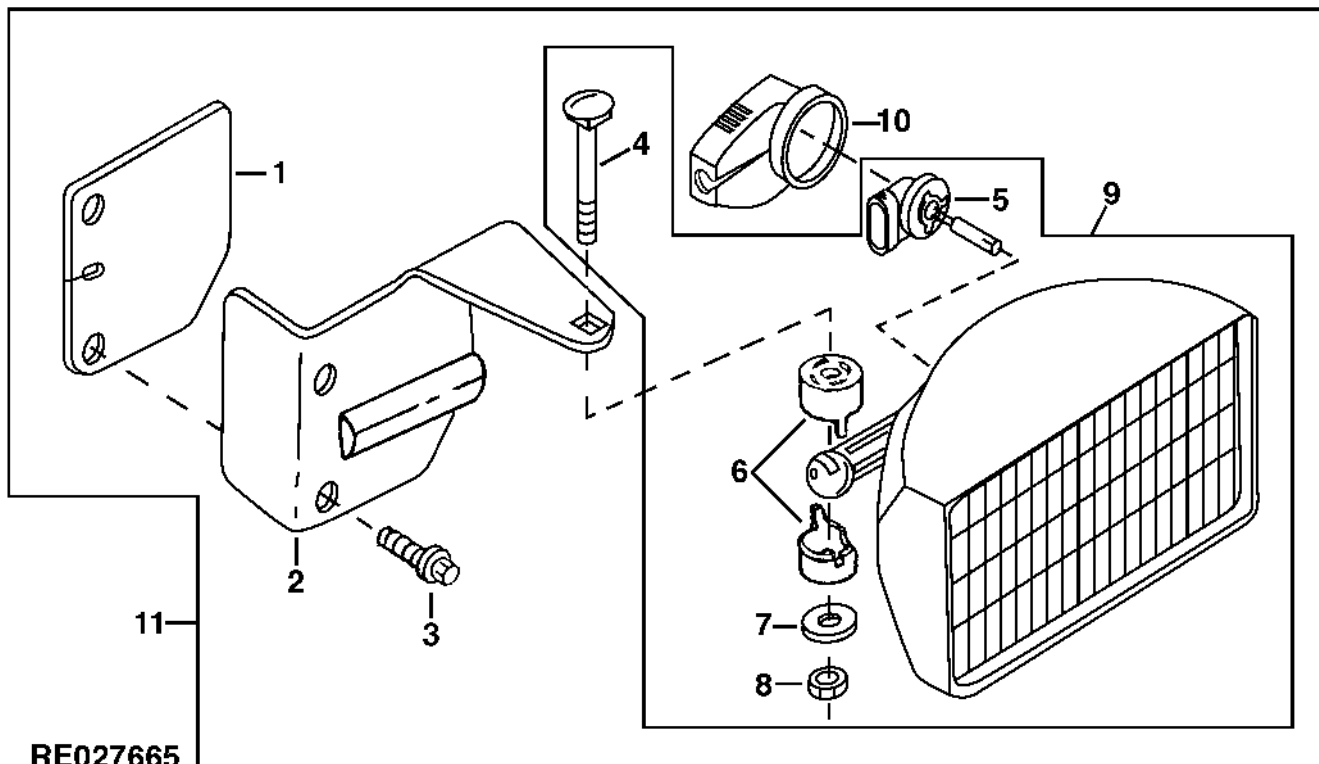
RE026685

KEY	PART NO.	PART NAME	QTY	TRACTOR SERIAL NO.	A	
					L	L
REMARKS						
1	AT130104	BULB	1		X	55W
2	57M7256	CONNECTOR	1		X	(ALSO ORDER R104919, 57M7258 AND 57M7289)
3	RE60765	LENS	1		X	
4	RE48985	FLOODLAMP	1		X	LH
	RE48986	FLOODLAMP	1		X	RH
5	RE56284	ISOLATOR	1		X	
6	RE60627	BRACKET	1		X	LH
	RE60628	BRACKET	1		X	RH
7	R115945	NUT	1		X	
8	19M7867	SCREW	2		X	
9	37M7243	SCREW	1		X	HS 10.9
10	R120201	COVER	1		X	
	R120283	COVER	1		X	
11	AR112611	KIT	1		X	(SUB AR115340) (FI)
12	R130562	GROMMET	1		X	(SUB FOR R124719)

4D9

LIGHTS

WORKLAMPS(CAB)(NORTH AMERICAN VERSION) (8100 002802-;8300 002216-;8300 003901-;8400 003232-)
 PROJECTEURS DE TRAVAIL(CABINE)(VERSION N.A.)(8100 002802-;8300 002216-;8300 003901-;8400 003232-)
 ARBEITSLEUCHTEN(FAHRERKABINE)(NORD A.)(8100 002802-;8200 002216-;8300 003901-;8400 003232-)
 FANALI DI LAVORO(CABINA)(VERSIONE N.A.)(8100 002802-;8200 002216-;8300 003901-;8400 003232-)
 LUCES DE TRABAJO(CABINA)(VERSION N.A.)(8100 002802-;8200 002216-;8300 003901-;8400 003232-)
 ARBETSLYKTOR(HYTT)(N.A. VERSION)(8100 002802-;8200 002216-;8300 003901-;8400 003232-)
 RE027665 -UN-13MAR97



RE027665

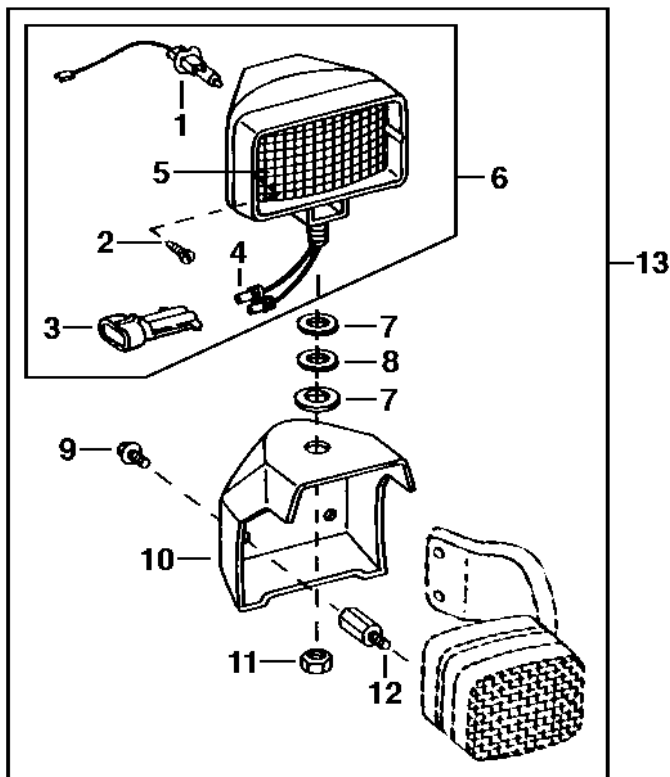
KEY	PART NO.	PART NAME	QTY	CAB SERIAL NO.	A		REMARKS
					L	L	
1	R128326	GASKET	1		X		
2	R127195	BRACKET	1		X		R.H.
	R127194	BRACKET	1		X		L.H.
3	37M7265	SCREW	2		X		M8 X 25
4	03M7280	BOLT	1		X		
5	R136239	BULB	1		X		(SUB FOR 57M7358, THIS APPLICATION) (GE 888X)
6	R122487	BASE	1		X		
7	L37975	LOCK WASHER	1		X		
8	14M7165	LOCK NUT	1		X		M6
9	R122488	BOOT	1		X		
10	RE150425	FLOODLAMP	1		X		(SUB FOR RE51239 OR RE71420)
11	AR115340	KIT	1		X		(FI)

4D10

LIGHTS

WORKLAMPS(CAB)(EUROPEAN VERSION)(8100- 002801;8200 -002215;8300 -003900;8400 -002531)
 PROJECTEURS DE TRAVAIL(CABINE)(VERSION E.)(8100 -002801;8200 -002215;8300 -003900;8400 -002531)
 ARBEITSLEUCHTEN(FAHRERKABINE)(E. AUSFUEHRUNG)(8100 -002801;8200 -002215;8300 -003900;8400 -002531)
 FANALI DI LAVORO(CABINA)(VERSIONE EUROPEA)(8100 -002801;8200 -002215;8300 -003900;8400 -002531)
 LUCES DE TRABAJO(CABINA)(VERSION EUROPEA)(8100 -002801;8200 -002215;8300 -003900;8400 -002531)
 ARBETSLYKTOR(HYTT)(EUROPEISK VERSION)(8100 -002801;8200 -002215;8300 -003900;8400 -002531)

RE026628 -UN-19DEC95



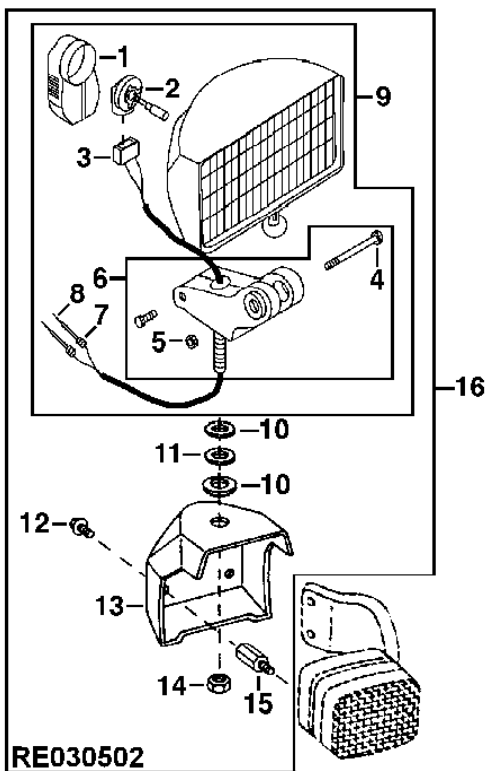
RE026628

KEY	PART NO.	PART NAME	QTY	TRACTOR SERIAL NO.	A	REMARKS
					L	
1	AT130104	BULB	1		X	
2	37M7217	SCREW	2		X	
3	57M7256	CONNECTOR	1		X	(ALSO ORDER 57M7316)
4	R104919	PIN CONTACT	2		X	
	57M7258	ELECTRICAL PLUG	2		X	
5	RE60765	LENS	1		X	
6	RE48989	FLOODLAMP	2		X	
	12H301	LOCK WASHER	2		X	1/2"
8	24M7047	WASHER	4		X	13 X 24 X 2.500 MM
9	21M7460	SCREW	4		X	M5 X 40
10	L113561	BRACKET	2		X	(SUB FOR R112586) (ALSO ORDER (2) 21M7460)
11	14M7319	LOCK NUT	2		X	M12
12	L113561	BRACKET	2		X	(SUB FOR L79568)
13	AR113536	KIT	1		X	(FI)

4D11

LIGHTS

WORKLAMPS(CAB)(EUROPEAN VERSION)(8100 002802-; 8200 002216-;8300 003901-;8400 002532-)
 PROJECTEURS DE TRAVAIL(CABINE)(VERSION E.)(8100 002802-;8200 002216-;8300 003901-;8400 002532-)
 ARBEITSLEUCHTEN(FAHRERKABINE)(E. AUSFUEHRUNG)(8100 002802-;8200 002216-;8300 003901-;8400 002532-)
 FANALI DI LAVORO(CABINA)(VERSIONE EUROPEA)(8100 002802-;8200 002216-;8300 003901-;8400 002532-)
 LUCES DE TRABAJO(CABINA)(VERSION EUROPEA)(8100 002802-;8200 002216-;8300 003901-;8400 002532-)
 ARBETSLYKTOR(HYTT)(EUROPEISK VERSION)(8100 002802-;8200 002216-;8300 003901-;8400 002532-)
 RE030502 -UN-27APR99

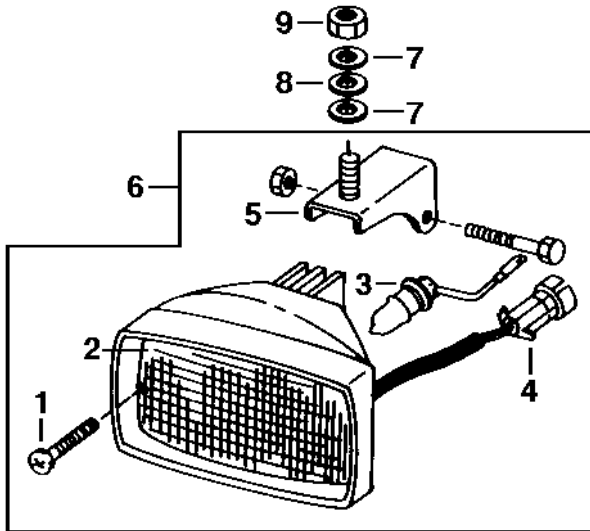


KEY	PART NO.	PART NAME	QTY	TRACTOR SERIAL NO.	A	
					L	REMARKS
1	R122488	BOOT	1		X	
2	R136239	BULB	1		X	(SUB FOR 57M7358, THIS APPLICATION) (GE 888X)
3	57M7344	CONNECTOR	1		X	(ALSO ORDER (2) 57M7297 AND (2) Z44689)
4	19M7320	CAP SCREW	1		X	M6 X 40
5	14M7165	LOCK NUT	1		X	M6
6	RE58619	BASE	1		X	
7	57M7258	ELECTRICAL PLUG	2		X	
8	R104919	PIN CONTACT	2		X	(SUB FOR 57M7252)
9	RE151346	FLOODLAMP	1		X	(SUB FOR RE51240, RE71421 OR RE150421)
10	24M7047	WASHER	4		X	
11	12H301	LOCK WASHER	2		X	1/2"
12	21M7460	SCREW	4		X	M5 X 40
13	L113561	BRACKET	2		X	(SUB FOR R112586) (ALSO ORDER (2) 21M7460)
14	14M7168	LOCK NUT	2		X	M12
15	L113561	BRACKET	2		X	(SUB FOR L79568)
16	AR115337	KIT	1		X	(FI)

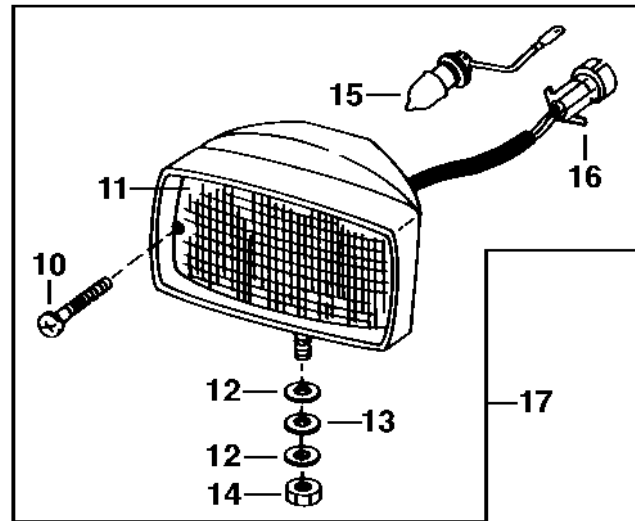
4D12

LIGHTS

WORKLAMPS(LOWER MID-BODY)(8100- 002801;8200- 002215;8300- 003900;8400 - 002531)
 PROJECTEURS DE TRAVAIL(CEINTURE INFERIEURE(8100 -002801;8200 -002215;8300 -003900;8400 -002531)
 ARBEITSLEUCHTEN(UNTERE MITTELLINIE)(8100 -002801;8200 -002215;8300 -003900;8400 -002531)
 FANALI DI LAVORO(META' TELAIO INFERIORE)(8100 -002801;8200 -002215;8300 -003900;8400 -002531)
 LUCES DE TRABAJO(CARROCERIA CENTRAL INFERIOR)(8100 -002801;8200 -002215;8300 -003900;8400 -002531)
 ARBETSLYKTOR(UNDRE MITTKAROSSERI)(8100 -002801;8200 -002215;8300 -003900;8400 -002531)
 RE026629 -UN-19DEC95



RE026629

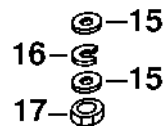
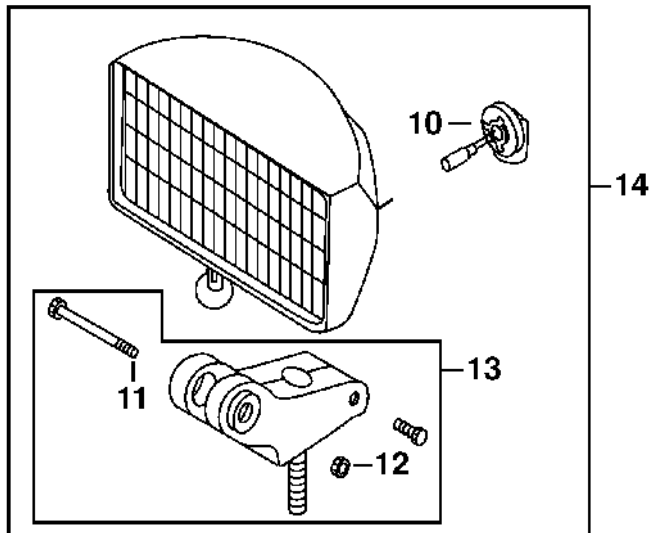
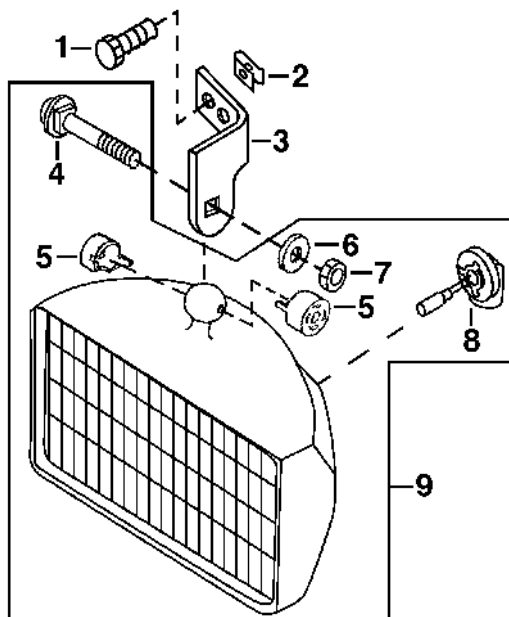


KEY	PART NO.	PART NAME	QTY	TRACTOR SERIAL NO.	A	
					L	REMARKS
1	37M7217	SCREW	2		X	
2	RE60765	LENS	1		X	
3	AT130104	BULB	1		X	
4	57M7256	CONNECTOR	1		X	(ALSO ORDER (2) R104919, (2) 57M7258 AND 57M7289)
5	RE52434	BRACKET	1		X	
6	RE61164	FLOODLAMP	1		X	R.H.
7	24M7047	WASHER	2		X	13 X 24 X 2.500 MM
8	12H301	LOCK WASHER	1		X	1/2"
9	14M7319	LOCK NUT	1		X	M12
10	37M7217	SCREW	2		X	
11	RE60765	LENS	1		X	
12	24M7047	WASHER	2		X	13 X 24 X 2.500 MM
13	12H301	LOCK WASHER	1		X	1/2"
14	14M7168	LOCK NUT	1		X	M12
15	AT130104	BULB	1		X	
16	57M7256	CONNECTOR	1		X	(ALSO ORDER (2) R104919, (2) 57M7258 AND 57M7289)
17	RE61165	FLOODLAMP	1		X	L.H.

4D13

LIGHTS

WORKLAMPS (LOWER MID-BODY)(8100 002802-;8200 002216-;8300 003901-;8400-002532-)
 PROJECTEURS DE TRAVAIL(CEINTURE INFERIEURE)(8100 002802-;8200 002216-;8300 003901-;8400 002532-)
 ARBEITSLEUCHTEN(UNTERE MITTELLINIE)(8100 002802-;8200 002216-;8300 003901-;8400 002532-)
 FANALI DI LAVORO(META' TELAIO INFERIORE)(8100 002802-;8200 002216-;8300 003901-;8400 002532-)
 LUCES DE TRABAJO(CARROCERIA CENTRAL INFERIOR)(8100 002802-;8200 002216-;8300 003901-;8400 002532-)
 ARBETSLYKTOR(UNDRE MITTKAROSSERI)(8100 002802-;8200 002216-;8300 003901-;8400 002532-)
 RE029450 -UN-20APR98



RE029450

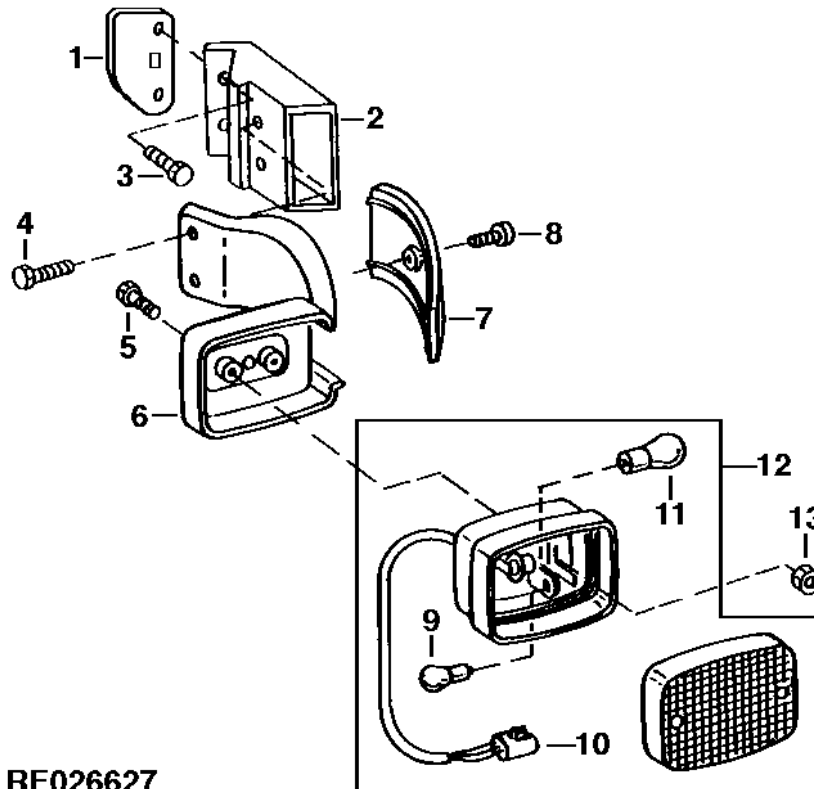
KEY	PART NO.	PART NAME	QTY	TRACTOR SERIAL NO.	A	
					L	REMARKS
1	19M7862	SCREW	2		X	M6 X 20
2	R120332	NUT	2		X	
3	R130639	ANGLE	1		X	(SUB FOR R122469)
4	03M7280	BOLT	1		X	M6 X 45
5	R122487	BASE	1		X	
6	L37975	LOCK WASHER	1		X	
7	14M7165	LOCK NUT	1		X	M6
8	R136239	BULB	1		X	(SUB FOR RE44688, THIS APPLICATION) (55W)(GE 888X)
9	R136238	BULB	1	-XXXXXX	X	(A) (USE WITH RE60541) (55W)(GE 885X)
	RE150428	FLOODLAMP	1		X	(SUB FOR RE63957, RE66007, RE70054 OR RE71429) R.H.
10	R136239	BULB	1		X	(SUB FOR RE44688, THIS APPLICATION) (55W)(GE 888X)
	R136238	BULB	1	-XXXXXX	X	(A) (USE WITH RE60541) (55W)(GE 885X)
11	19M7320	CAP SCREW	1		X	M6 X 40
12	14M7165	LOCK NUT	1		X	M6
13	RE58619	BASE	1		X	
14	RE150426	FLOODLAMP	1		X	(SUB FOR RE58593, RE70044 OR RE71427) L.H.
15	24M7047	WASHER	2		X	13 X 24 X 2.500 MM
16	12H301	LOCK WASHER	1		X	1/2"
17	14M7168	LOCK NUT	1		X	M12

(A)(-XXXXXX)8100-002801;8200-002215;8300-003900;8400-002531

4D14

LIGHTS

DIRECTION INDICATOR LAMPS (CAB)(EUROPEAN VERSION)
 FEUX DE CHANGEMENT DE DIRECTION(CABINE)(VERSION EUROPEENNE)
 BLINKLEUCHTEN(FAHRERKABINE)(EUROPÄISCHE AUSFÜHRUNG)
 FRECCHE(CABINA)(VERSIONE EUROPEA)
 LUCES SENALIZADORAS DE DIRECCION(CABINA)(VERSION EUROPEA)
 KOERRIKTNINGSVISARE(HYTT)(EUROPEISK VERSION)
 RE026627 -UN-04DEC95



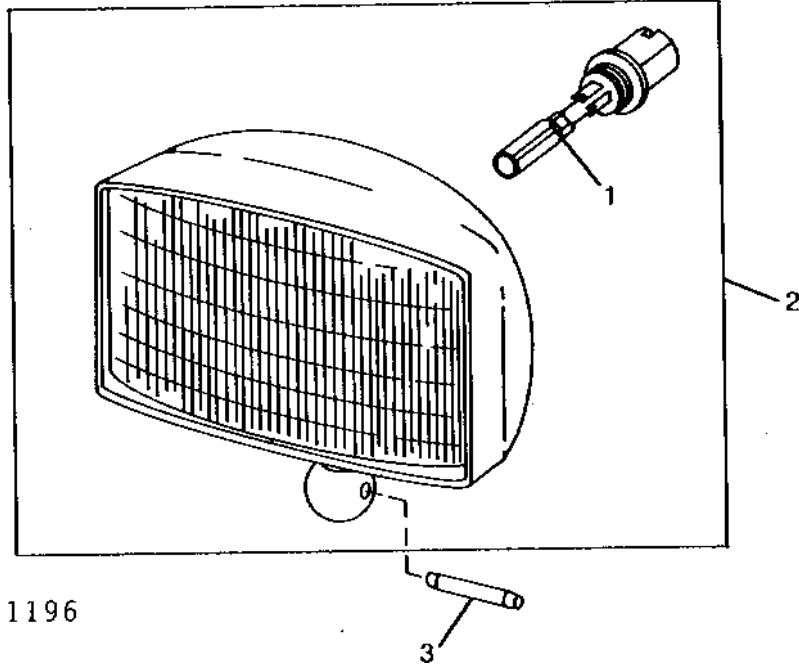
RE026627

KEY	PART NO.	PART NAME	QTY	TRACTOR SERIAL NO.	REMARKS	
					A L	L
1	R128326	GASKET	1		X	(SUB FOR RE56284, THIS APPLICATION)
2	R129869	SUPPORT	1		X	(SUB FOR R107336)
3	19M7867	SCREW	2		X	M8 X 25, HS 10.9
4	19M8327	SCREW	2		X	M8 X 25, HS 10.9
5	21M7309	SCREW	2		X	M5 X 16
6	R110386	BRACKET	1		X	
7	R110387	COVER	1		X	
8	21M7366	SCREW	1		X	M5 X 12
9	57M7013	BULB	1		X	12V / 21W
10	57M7257	CONNECTOR	1		X	(ALSO ORDER (3) R104919, (3) 57M7258 AND 57M7317)
11	57M7014	BULB	1		X	12V / 5W
12	AL75642	TURN SIGNAL LAMP	1		X	
13	14M7265	LOCK NUT	2		X	M5

4D15

LIGHTS

HEADLIGHT(HOOD)
 PHARE(CAPOT)
 FRONTSCHINWERFER(HAUBE)
 FARO(COFANO)
 FARO DELANTERO(GANCHO)
 STRAALKASTARE(HUVA)
 RXP011196 -UN-01JAN94



RXP011196

KEY	PART NO.	PART NAME	QTY	TRACTOR SERIAL NO.	A	REMARKS
					L	
1	R136238	BULB	1		X	(SUB FOR RE44688, THIS APPLICATION) (55W) (GE885X)
2	RE150422	HEADLIGHT	2		X	(A) (SUB FOR RE61243 OR RE71422)
	RE150423	FLOODLAMP	2		X	(B) (SUB FOR RE61244 OR RE71423)
3	R43244	NEEDLE ROLLER	4		X	

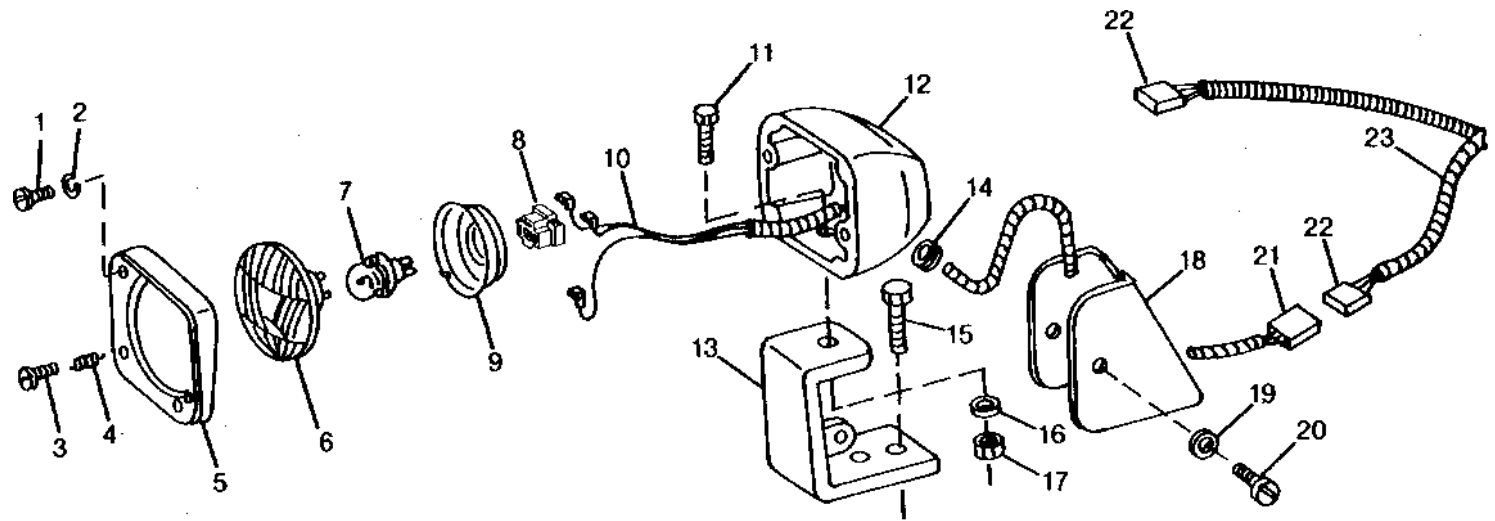
(A)INNER
 INTERNE
 INNEN
 INTERNO
 INTERIOR
 INRE

(B)OUTER
 EXTERNE
 AUSSEN
 ESTERNO
 EXTERIOR
 YTTRE

4D16

LIGHTS

HEADLIGHTS LEFT-HAND TRAFFIC (UNITED KINGDOM)
 PHARE ROUTE-GAUCHE (ROYAUME-UNI)
 FRONTSCHWEINWERFER LINKSVERKEHR (ENGLAND)
 FARO CIRCOLAZIONE DEL TRAFFICO SULLA SINISTRA (REGNO UNITO)
 FARO DELANTERO CIRCULACION IZQUIERDA (REINO UNIDO)
 STRAALKASTARE VAENSTERTRAFIK (ENGLAND)
 RXP011192 -UN-01JAN94



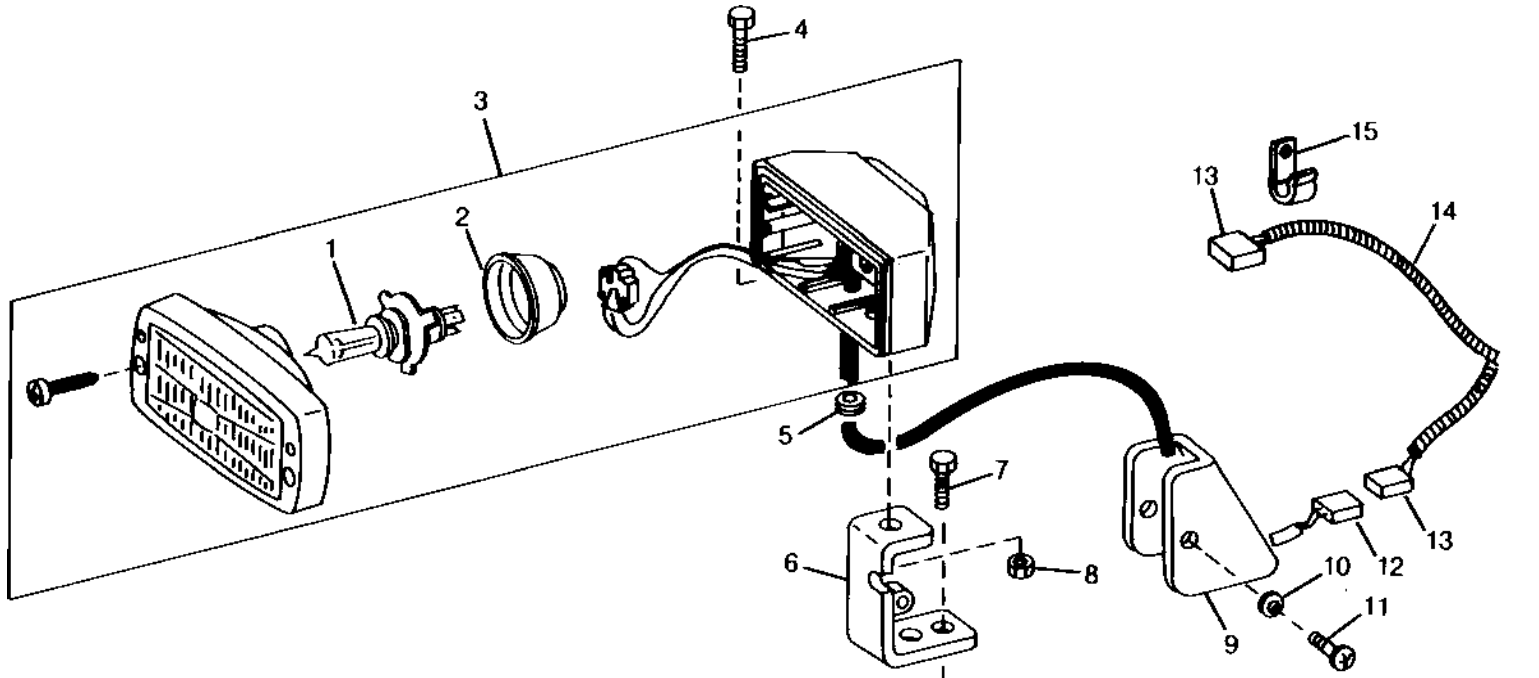
RXP011192

KEY	PART NO.	PART NAME	QTY	TRACTOR SERIAL NO.	A		REMARKS
					L	L	
1	21M7142	SCREW	2		X		
2	12M7064	LOCK WASHER	2		X		
3	21M7142	SCREW	3		X		
4	T28631	SPRING	3		X		
5	L55980	BEZEL	1		X		
6	AL56092	HOUSING	1		X		
7	57M7166	BULB	1		X		
8	57M7063	CONNECTOR	1		X		
9	CE15294	DUST SHIELD	1		X		
10	RE62145	WIRING HARNESS	1		X		
11	19M7168	CAP SCREW	1		X	M10 X 30	
12	L38416	HOUSING	1		X		
13	RE62977	SUPPORT	1		X	(SUB FOR RE62146)	
14	L12807	GROMMET	1		X		
15	19M7167	CAP SCREW	2		X	M10 X 25	
16	12M7033	LOCK WASHER	1		X	10.500 MM	
17	14M7517	LOCK NUT	1		X	M10	
18	R126920	COVER	1		X	(SUB FOR R125874)	
19	24M7244	WASHER	2		X	6.400 X 12 X 1.600 MM	
20	21M7312	SCREW	2		X	M6 X 12	
21	57M7257	CONNECTOR	1		X	(ALSO ORDER (3) R104919, (3) 57M7258 AND 57M7317)	
22	57M7255	CONNECTOR	1		X	(ALSO ORDER (3) R104846, (3) 57M7258 AND 57M7317)	
23	RE60633	WIRING HARNESS	1		X		

4D17

LIGHTS

HEADLIGHTS RIGHT-HAND TRAFFIC (EUROPEAN VERSION)
 PHARE ROUTE-DROITE (VERSION EUROPEENNE)
 FRONTSCHWEINWERFER RECHTSVERKEHR (EUROPAEISCHE AUSFUEHRUNG)
 FARO CIRCOLAZIONE DE TRAFFICO SULLA DESTRA (VERSIONE EUROPEA)
 FARO DELANTERO CIRCULACION DERECHA (VERSION EUROPEA)
 STRAALKASTARE HOEGERTRAFIK (EUROPEISK VERSION)
 RXP026055 -UN-07MAR95



RXP026055

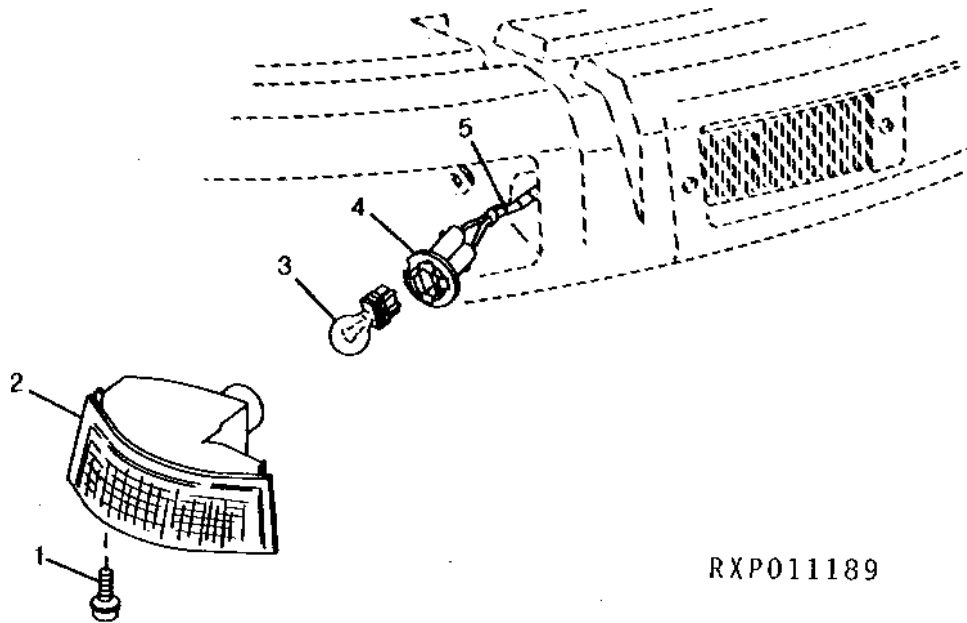
KEY	PART NO.	PART NAME	QTY	TRACTOR SERIAL NO.	A		REMARKS
					L	L	
1	57M7166	BULB	1		X		60/55W
2	CE15294	DUST SHIELD	1		X		(USE WITH RE61786)
3	RE61786	HEADLIGHT	1	-XXXXXX	X		(A) (SUB (2) RE71268 AND (2) RE62976)
	RE71268	HEADLIGHT	2	XXXXXX-	X		(B) (SUB FOR RE61786)
4	19M7168	CAP SCREW	1		X		M10 X 30
5	L12807	GROMMET	1		X		
6	RE62976	SUPPORT	1		X		(SUB FOR RE61744)
7	19M7167	CAP SCREW	2		X		M10 X 25
8	14M7517	LOCK NUT	2		X		M10
9	R126919	COVER	1		X		(SUB FOR R125161)
10	24M7244	WASHER	2		X		6.400 X 12 X 1.600 MM
11	21M7312	SCREW	2		X		M6 X 12
12	57M7257	CONNECTOR	1		X		(ALSO ORDER (3) R104919, (3) 57M7258 AND 57M7317)
13	57M7255	CONNECTOR	1		X		(ALSO ORDER (3) R104846, (3) 57M7258 AND 57M7290)
14	RE60633	WIRING HARNESS	1		X		
15	T19935	CLAMP	4		X		

(A) (-XXXXXX) 8100-011484; 8200-011311; 8300-011597; 8400-011581
 (B) (XXXXXX-) 8100-011485; 8200-011312; 8300-011598; 8400-011582

4D18

LIGHTS

WARNING/TURNING LIGHT(ROOF)(NORTH AMERICAN VERSION)
 FEU D'AVERTISSEMENT/CLIGOTANT(TOIT)(VERSION NORD AMERICAINE)
 WARNLAMPE/BLINKER(DACH)(NORDAMERIKANISCHE AUSFUEHRUNG)
 LUCE DI AVVERTENZA/INDICATOR DI DIREZIONE(TETTO)(VERSIONE NORDAMERICANA)
 LUZ DE ADVERTENCIA/VIRAJE(TECHO)(VERSION NORTHAMERICANA)
 VARNINGSLUS/KOERRIKTNINGAVISARE(TAK)(NORDAMERIKANSK VERSION)
 RXP011189 -UN-01JAN94



RXP011189

KEY	PART NO.	PART NAME	QTY	TRACTOR SERIAL NO.	A		REMARKS
					L	L	
1	21M7305	SCREW	8		X		M6 X 12
2	RE55150	TAIL LAMP	2		X		R.H.FRONT/L.H.REAR
	RE55151	TAIL LAMP	2		X		L.H.FRONT/R.H.REAR
3	RE49778	BULB	4		X		(GE3157)
4	R114917	CONNECTOR	1		X		(ALSO ORDER (4) 57M7519)
5	RE60647	WIRING HARNESS	1	-XXXXXX	X		(A)
	RE64629	WIRING HARNESS	1	XXXXXX-	X		(B)

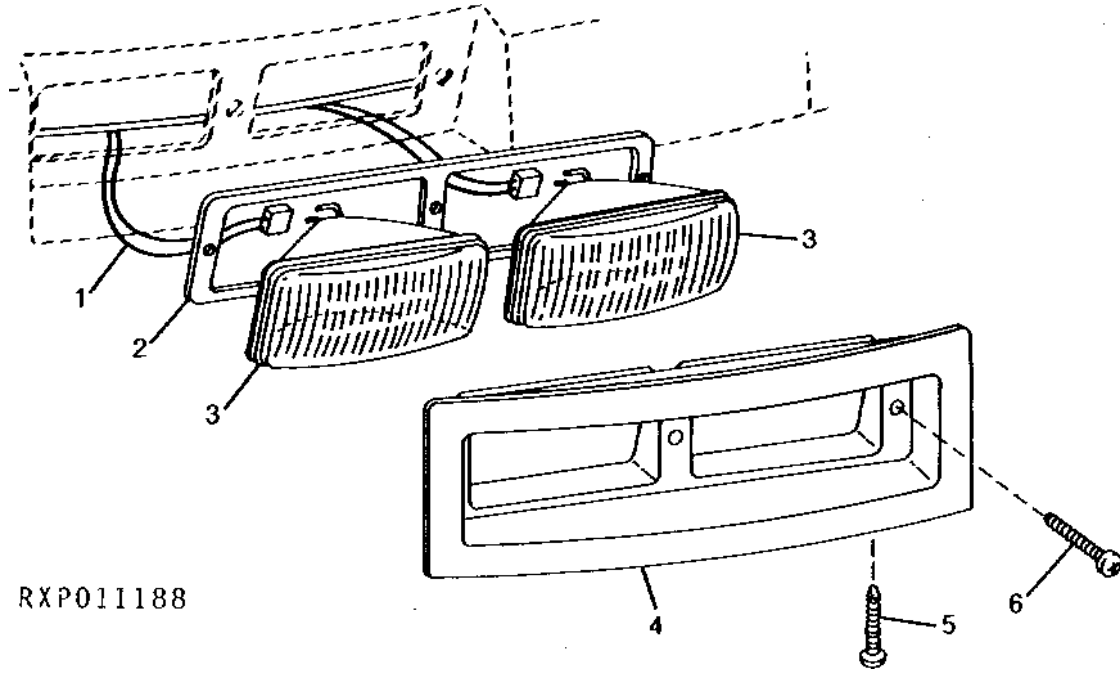
(A) (-XXXXXX) 8100-002801;8200-002215;8300-003900;8400-002531

(B) (XXXXXX-) 8100-002802;8200-002216;8300-003901;8400-002532

4D19

LIGHTS

WORKING LAMPS,(ROOF)(FRONT)
 PROJECTEURS DE TRAVAIL(TOIT)(AVANT)
 ARBEITSLEUCHTEN(VORN)(DACH)
 FANALI DI LAVORO(ANTERIORE)(TETTO)
 LUCES DE TRABAJO(FRENTE)(TECHO)
 ARBETSLYKTOR(FRAM)(TAK)
 RXP011188 -UN-01JAN94



RXP011188

KEY	PART NO.	PART NAME	QTY	TRACTOR SERIAL NO.	A		REMARKS
					L	L	
1	RE60647	WIRING HARNESS	1	-XXXXXX	X		(A)
	RE64629	WIRING HARNESS	1	XXXXXX-	X		(B)
2	R107478	RETAINER	1		X		
3	RE37450	LAMP	2		X		(GE H4360)
4	R107477	HOUSING	1		X		
5	21M7305	SCREW	2		X		M6 X 12
6	37H203	SCREW	3		X		

(A) (-XXXXXX) 8100-002801;8200-002215;8300-003900;8400-002531

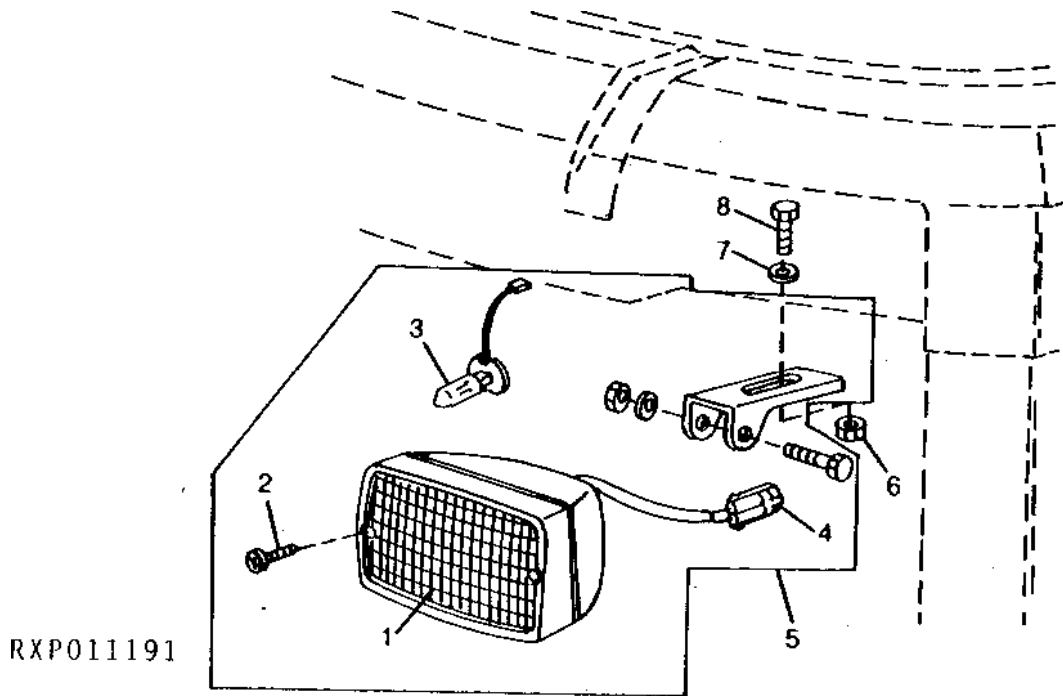
(B) (XXXXXX-) 8100-002802;8200-002216;8300-003901;8400-002532

4D20

LIGHTS

WORKING LAMPS(ROOF)(REAR)(8100- 002801;8200- 00221 5;8300 -003900;8400 -002531)
 PROJECTEURS DE TRAVAIL(TOIT)(ARRIERE)(8100 -002801;8200 -002215;8300 -003900;8400 -002531)
 ARBEITSLEUCHTEN(DACH)(HINTEN)(8100 -002801;8200 -002215;8300 -003900;8400 -002531)
 FANALI DI LAVORO(TETTO)(POSTERIORE)(8100 -002801;8200 -002215;8300 -003900;8400 -002531)
 LUCES DE TRABAJO(TECHO)(TRASERO)(8100 -002801;8200 -002215;8300 -003900;8400 -002531)
 ARBETSLYKTOR(TAK)(BAK,BAKRE)(8100 -002801;8200 -002215;8300 -003900;8400 -002531)

RXP011191 -UN-01JAN94



RXP011191

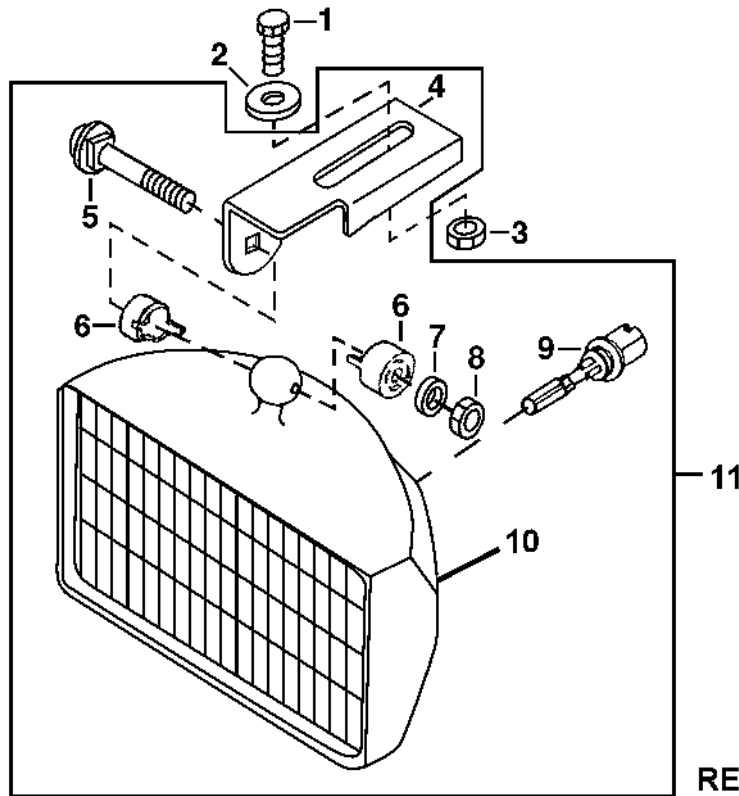
KEY	PART NO.	PART NAME	QTY	TRACTOR SERIAL NO.	A		REMARKS
					L	L	
1	RE60765	LENS	1		X		
2	37M7217	SCREW	2		X		
3	AT130104	BULB	1		X		
4	57M7256	CONNECTOR	1		X		(ALSO ORDER (2) R104919, (2) 57M7258 AND 57M7289)
5	RE61201	FLOODLAMP	1		X		
6	R124552	NUT	1		X		
7	24H1822	WASHER	1		X		
8	19M7270	CAP SCREW	1		X		

4D21

LIGHTS

WORKING LAMPS(ROOF)(REAR)(8100 002802-;8200 002216-;8300 003901-;8400 002532-)
 PROJECTEURS DE TRAVAIL(TOIT)(ARRIERE)(8100 002802-;8200 002216-;8300 003901-;8400 002532-)
 ARBEITSLEUCHTEN(DACH)(HINTEN)(8100 002802-;8200 002216-;8300 003901-;8400 002532-)
 FANALI DI LAVORO(TETTO)(POSTERIORE)(8100 002802-;8200 002216-;8300 003901-;8400 002532-)
 LUCES DE TRABAJO(TECHO)(TRASERO)(8100 002802-;8200 002216-;8300 003901-;8400 002532-)
 ARBETSLYKTOR(TAK)(BAK,BAKRE)(8100 002802-;8200 002216-;8300 003901-;8400 002532-)

RE028671 -UN-05DEC97

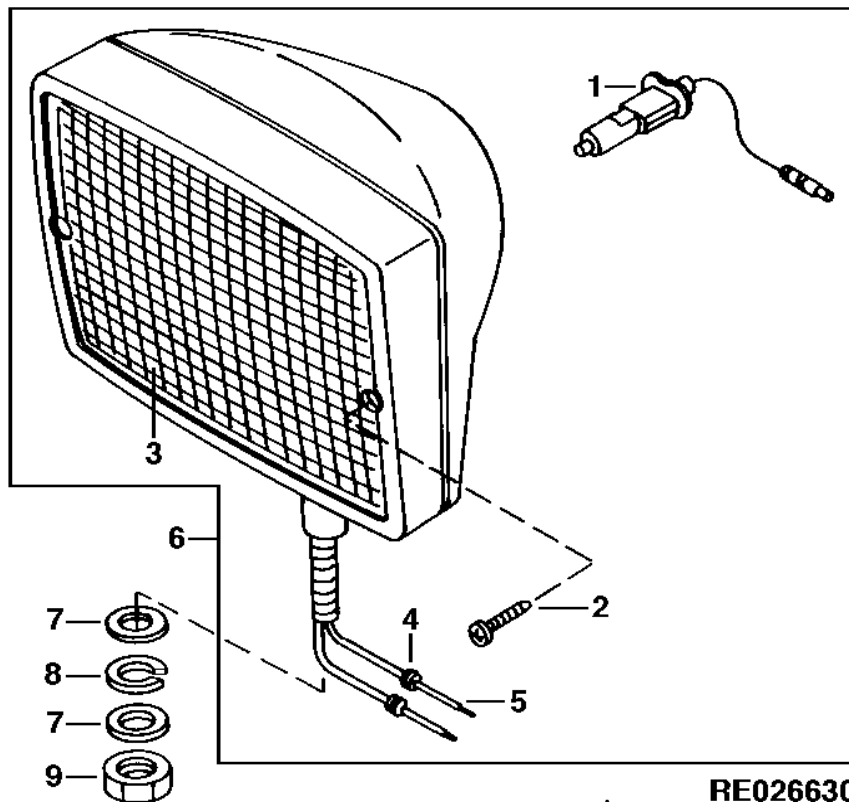


RE028671

KEY	PART NO.	PART NAME	QTY	TRACTOR SERIAL NO.	A	
					L	REMARKS
1	19M8836	CAP SCREW	2		X	M8 X 65
2	24H1822	WASHER	2		X	11/32" X 7/8" X 1/16"
3	R124552	NUT	2		X	
4	R135758	BRACKET	1		X	(SUB FOR R127437) (ALSO ORDER L37975)
5	03M7280	BOLT	1		X	M6 X 45
6	R122487	BASE	1		X	
7	L37975	LOCK WASHER	1		X	
8	14M7165	LOCK NUT	1		X	M6
9	R136238	BULB	1		X	(SUB FOR RE44688, THIS APPLICATION) (55W)(GE885X)
10	RE150419	LAMP	1		X	
11	RE151345	FLOODLAMP	2		X	(SUB FOR RE63958, RE71424 OR RE150424)

4D22

REAR WORK LIGHT(FENDER)(8100 -002801;8200 -002215; 8300 -003900;8400 -002531)
 PHARE DE LABOUR(GARDE-BOUE)(8100 -002801;8200 -002215;8300 -003900;8400 -002531)
 GERAETESCHEINWERFER(KOTSCHUETZER)(8100 -002801;8200 -002215;8300 -003900;8400 -002531)
 LUCE LAVORO(PARAFANGO)(8100 -002801;8200 -002215;8300 -003900;8400 -002531)
 FARO AUXILAR(GUARDABARRO)(8100 -002801;8200 -002215;8300 -003900;8400 -002531))
 BAKRE ARBETSLAMPA(SKAERM)(8100 -002801;8200 -002215;8300 -003900;8400 -002531)
 RE026630 -UN-19DEC95

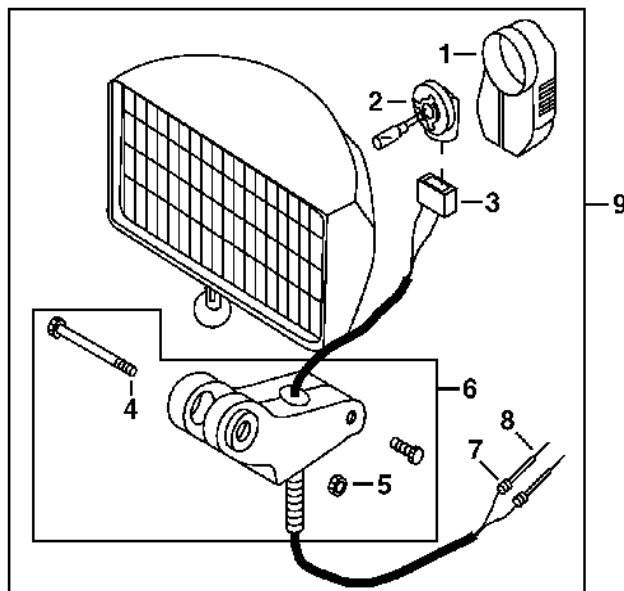


RE026630

KEY	PART NO.	PART NAME	QTY	TRACTOR SERIAL NO.	A		REMARKS
					L	L	
1	AT130104	BULB	1		X		55W
2	37M7217	SCREW	2		X		
3	RE60765	LENS	1		X		
4	57M7258	ELECTRICAL PLUG	2		X		
5	R104919	PIN CONTACT	2		X		
6	RE48989	FLOODLAMP	1		X		
7	24M7047	WASHER	2		X		
8	12H301	LOCK WASHER	1		X		
9	14M7168	LOCK NUT	1		X		

4D23

REAR WORK LIGHT(FENDER)(8100-002802; 8200-002216; 8300-003901; 8400-002532)
 PHARE DE LABOUR(GARDE-BOUE)(8100 -002802;8200 -002216;8300 -3901;8400 -002532)
 GERAETESCHEINWERFER(KOTSCHUETZER)(8100 -002802;8200 -002216;8300 -3901;8400 -002532)
 LUCE LAVORO(PARAFANGO)(8100 -002802;8200 -002216;8300 -3901;8400 -002532)
 FARO AUXILAR(GUARDABARRO)(8100 -002802;8200 -002216;8300 -3901;8400 -002532)
 BAKRE ARBETSLAMPA(SKAERM)(8100 -002802;8200 -002216;8300 -3901;8400 -002532)
 RE027651 -UN-03FEB97

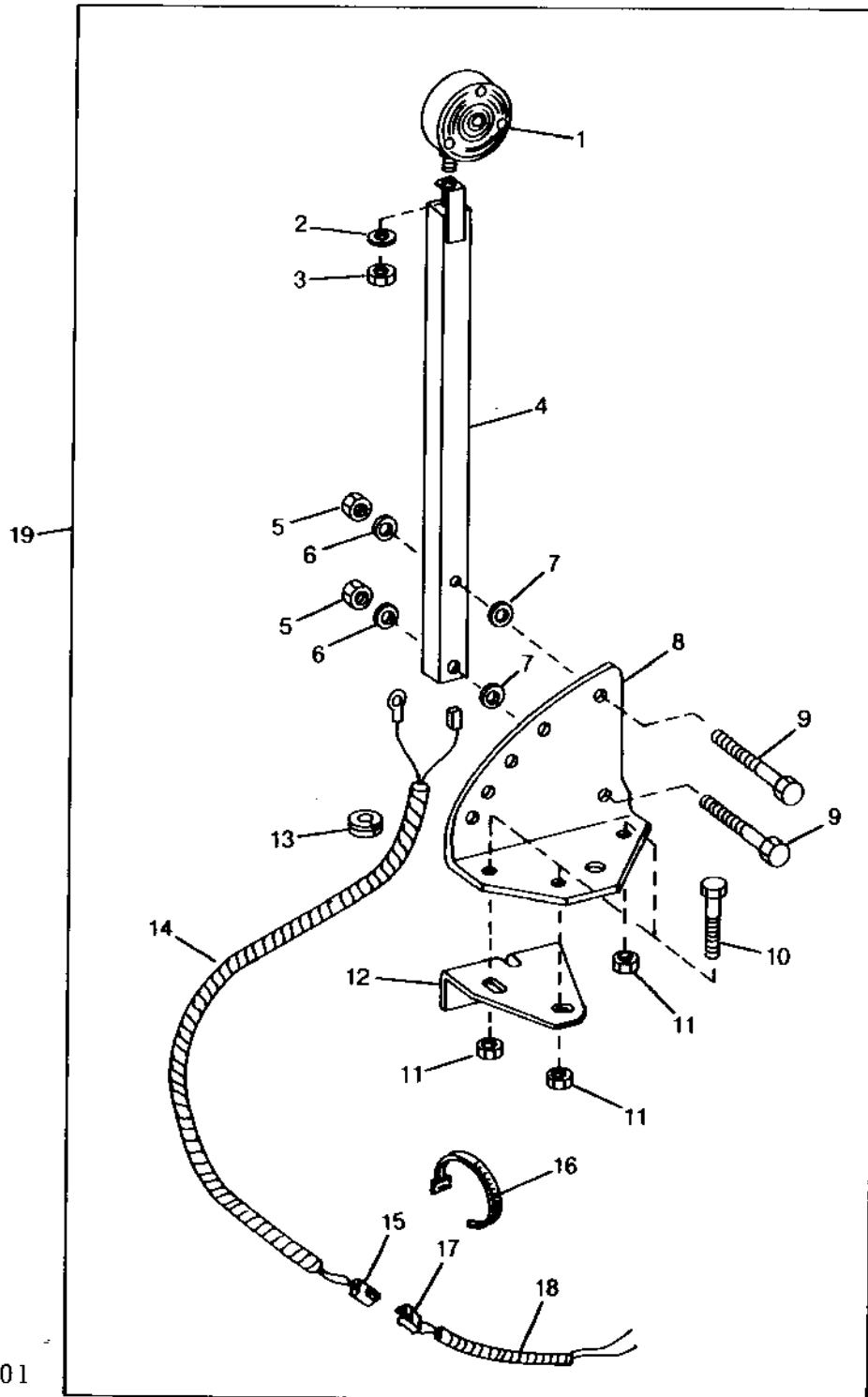


RE027651

KEY	PART NO.	PART NAME	QTY	TRACTOR SERIAL NO.	A	
					L	REMARKS
1	R122488	BOOT	1		X	
2	R136239	BULB	1		X	(SUB FOR 57M7358) (GE888X)
3	57M7344	CONNECTOR	1		X	(ALSO ORDER (2) 57M7297 AND (2) Z44689)
4	19M7320	CAP SCREW	1		X	M6 X 40
5	14M7165	LOCK NUT	1		X	M6
6	RE58619	BASE	1		X	
7	57M7258	ELECTRICAL PLUG	2		X	
8	R104919	PIN CONTACT	2		X	(SUB FOR 57M7252)
9	RE151346	FLOODLAMP	2		X	(SUB FOR RE51240, RE71421 OR RE150421)
10	12H301	LOCK WASHER	1		X	1/2"
11	24M7047	WASHER	2		X	13 X 24 X 2.500 MM
12	14M7168	LOCK NUT	1		X	M12

4D24

EXTREMITY WARNING LAMP KIT(-027099)
JEU DE FEUX D'AVERTISSEMENT D'EXTREMITE(-027099)
AEUSSERE WARNLEUCHTENSATZ(-027099)
KIT DI LUCI DI AVVERTIMENTO ESTREMO(-027099)
CONJUNTO DE LUCES DE ADVERTENCIA DE LOS EXTREMOS(-027099)
YTTERVARNINGSLAMPSATS(-027099)
RXP011201 -UN-01JAN94



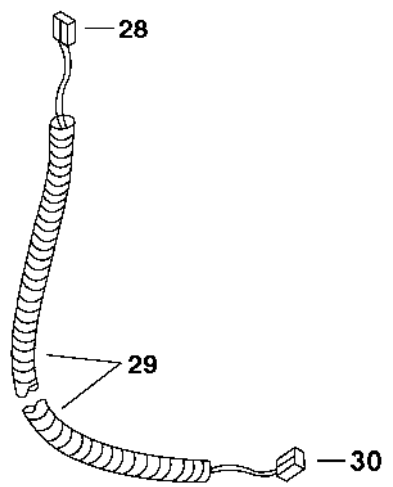
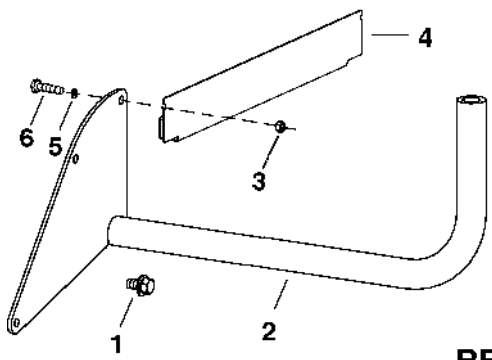
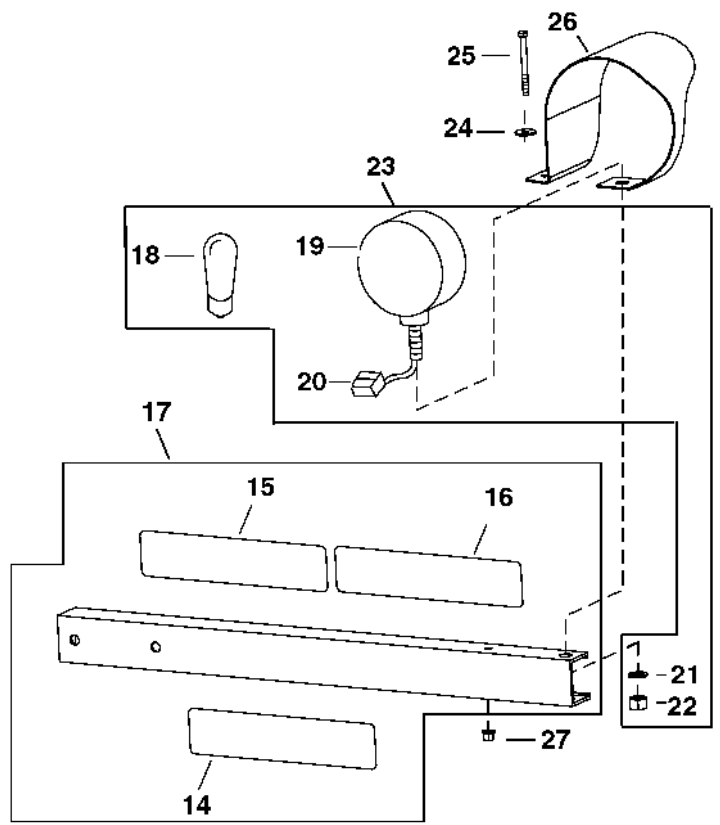
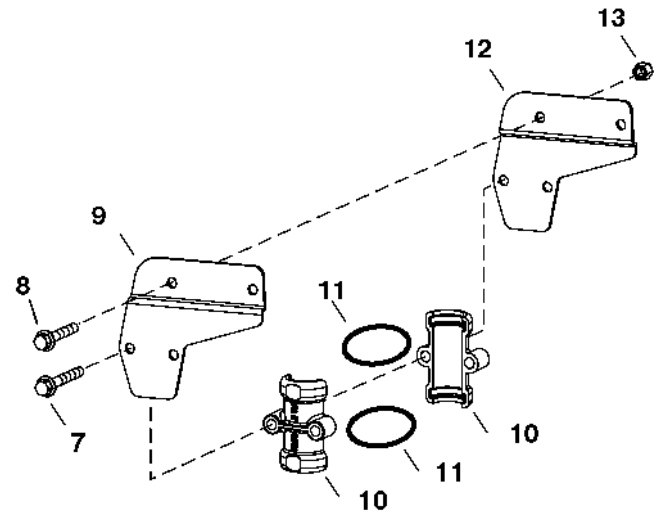
RXP011201

4D25

LIGHTS

KEY	PART NO.	PART NAME	QTY	TRACTOR SERIAL NO.	A L L	REMARKS
1	CH12713	LAMP	2		X	(CONTAINS (2) 12M7066, (3) 14M7274, T116274, T116275, CH12638, (3) CH12639, (2) 24M7028 AND AD2062R)
2	24M7028	WASHER	2		X	10.500 X 20 X 2 MM
3	14M7274	NUT	2		X	M10
4	RE41223	TUBE	2		X	
5	14M7274	NUT	2		X	M10
6	24H1909	WASHER	4		X	13/32" X 1-3/8" X 1/4"
7	R102944	SPACER	4		X	
8	R124261	BRACKET	1		X	L.H.
	R124264	BRACKET	1		X	R.H.
9	19M7742	CAP SCREW	4		X	M10 X 65, HS 10.9
10	19M7168	CAP SCREW	6		X	M10 X 30
11	14M7274	NUT	6		X	M10
12	R124262	SUPPORT	1		X	L.H.
	R124263	SUPPORT	1		X	R.H.
13	B30667	GROMMET	2		X	
14	RE46890	WIRING HARNESS	2		X	
15	R78053	CONNECTOR	1		X	(ALSO ORDER (2) R78061 AND (2) R78063)
16	R44302	TIE BAND	2		X	
17	RE12363	CONNECTOR	1		X	(ALSO ORDER (2) R78060 AND (2) R78063)
18	RE58689	WIRING HARNESS	2		X	
19	RE61520	KIT	1		X	(FI)

EXTREMITY WARNING LAMP(027100-)
 FEUX D'AVERTTISSEMENT D'EXTREMITE(027100-)
 UEBERSTANDS-WARNLEUCHTE(027100-)
 LAMPADA TERMINALE DI AVVERTIMENTO(027100-)
 LUZ DE ADVERTENCIA DE EXTREMIDAD(027100-)
 UTVAENDIG VARNINGSLAMPA(027100-)
 RE030619 -UN-17MAY99



RE030619

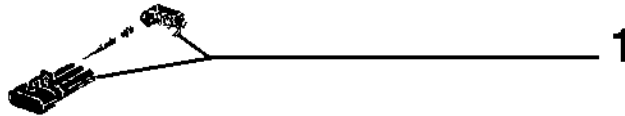
KEY	PART NO.	PART NAME	QTY	TRACTOR SERIAL NO.	A L L	REMARKS
1	19M7785	SCREW	4		X	
2	RE164116	BRACKET	1		X	L.H.
	RE164175	BRACKET	1		X	(A) L.H.
	RE164117	BRACKET	1		X	R.H.
	RE164176	BRACKET	1		X	(A) R.H.
3	14M7298	FLANGE NUT	6		X	
4	R164437	SHIELD	2		X	
5	12M7065	LOCK WASHER	6		X	
6	19M7513	CAP SCREW	6		X	
7	19M9032	SCREW	4		X	
8	19M9031	SCREW	4		X	
9	R163774	BRACKET	2		X	
10	H161618	HOUSING	4		X	
11	H136110	ISOLATOR	4		X	
12	R163775	BRACKET	2		X	
13	14M7546	LOCK NUT	8		X	
14	JD5921	REFLECTOR	2		X	
15	JD5922	REFLECTOR	2		X	
16	JD5920	REFLECTOR	2		X	
17	RE166045	ARM	2		X	
18	AD2062R	BULB	2		X	(GE1156)
19	R162459	LENS	1		X	
20	57M7254	CONNECTOR	2		X	(ALSO ORDER (2) R104846 AND 14H865 AND 57M7289)
21	12H301	LOCK WASHER	2		X	
22	14H865	NUT	2		X	
23	RE161626	LAMP	2		X	
24	24M7309	WASHER	2		X	
25	19M9030	CAP SCREW	2		X	
26	R161280	SHIELD	1		X	L.H.
	R161279	SHIELD	1		X	R.H.
27	14M7547	LOCK NUT	2		X	
28	57M7254	CONNECTOR	2		X	(ALSO ORDER (2) R104846, (2) 57M7258 AND 57M7289)
29	RE163804	WIRING HARNESS	1		X	
30	R78053	CONNECTOR	1		X	(ALSO ORDER (2) R78058 AND (2) 57M7292)
	(A)FENDER EXTENSION					
	EXTENSION DE GARDE-BOUE					
	KOTFLUEGELVERLARNGERUNG					
	ETENSIONE PARAFANGO					
	EXTENSION DE GUARDABARRO					
	STAENKSAERMSFOERLAENGARE					

MEMORANDA
MEMORANDA
MEMORANDA
MEMORANDA
MEMORANDA

4E4

SECTIONAL INDEX
GRUPPENINDEX
INDEX DE SECTION
INDICE DELLA SEZIONE
INDICE DE SECCION
GRUPPSFORTECKNING
RE028841 -UN-10MAY99

1 - 4E6



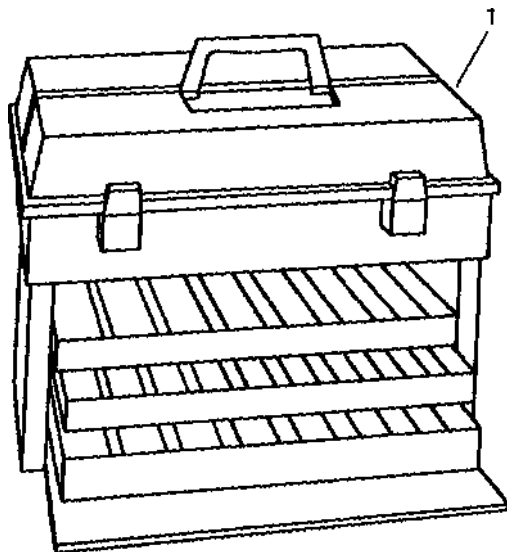
RE028841

4E5

SECTIONAL INDEX
GRUPPENINDEX
INDEX DE SECTION
INDICE DELLA SEZIONE
INDICE DE SECCION
GRUPPSFORTECKNING

4E6

ELECTRICAL CONNECTOR AND TERMINAL KIT
 JEU DE CONNECTEURS ELECTRIQUES ET DE BORNES
 ELEKTROANSCHLUSS UND ANSCHLUSSKLEMMEN-TEILESATZ
 KIT DI TERMINALI E CONNETTORI ELETTRICI
 JUEGO DE CONECTORES Y BORNES ELECTRICOS
 SATS MED ELEKTRISKA ANSLUTNINGAR OCH UTTAG
 RXP010001 -UN-01JAN94



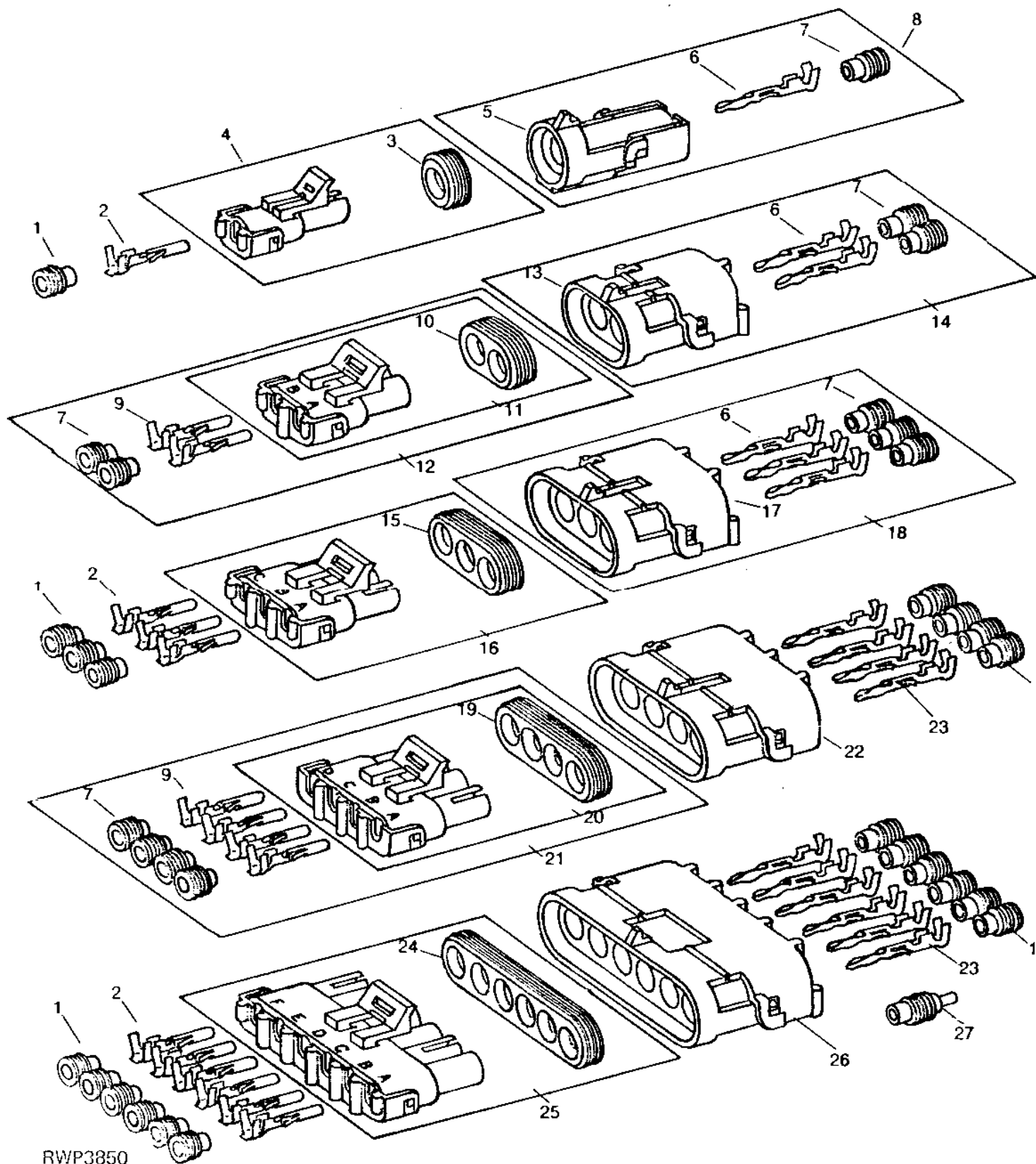
RXP010001

KEY	PART NO.	PART NAME	QTY	TRACTOR SERIAL NO.	A L L REMARKS
1	PM797NA	KIT	1		X (A)

(A)KIT INCLUDES CONNECTORS,TERMINAL AND TOOLS
 LE JEU COMPREND LES CONNECTEURS,LES BORNES RT LES OUTILS
 TEILESATZENTHAELTANSCHLUESSE,ANSCHLUSSKLEMMEN,UND WERKZEUGE
 IL KIT COMPRENDE CONNECTORI.TERMINALI ED ATTREZZI
 EL JUEGO INCLUYS LOS CONECTORES,BORNES Y HERRAMIENTAS
 SATSEN INNEHAALLER ANSLUTNINGAR,UTTAG OCH VERKTYG

4E7

WEATHERPACK TERMINALS AND CONNECTORS
CONNECTEURS ET BORNES
WETTERFEST STECKGEHÄUSE UND-ANSCHLUSSE
COSSES ET CONNECTEURS WEATHERPACK
WEATHERPACK ANSCHLUSSE
MORSETTIE CONNETTORI TIPO WEATHERPACK
RWP3850 -UN-01JAN94



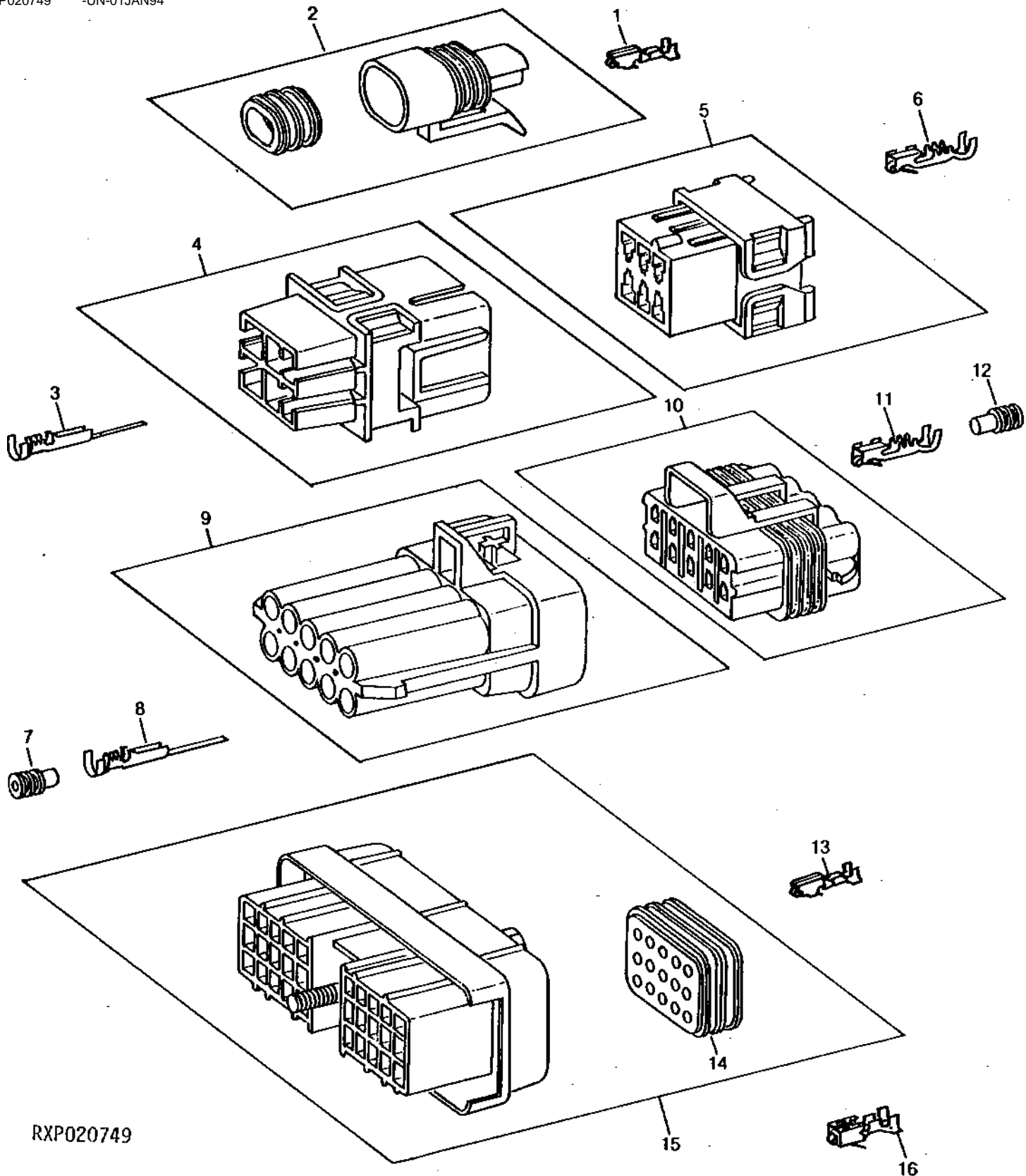
4E8

ELECTRICAL CONNECTORS

KEY	PART NO.	PART NAME	QTY	TRACTOR SERIAL NO.	A L L	REMARKS
1	R78063	TERMINAL NIPPLE	1		X	(16 GA.)
	R78059	ELECTRICAL PLUG	1		X	(18-20 GA.)
	R78062	TERMINAL NIPPLE	1		X	(14 GA.)
2	R78057	SOCKET CONTACT	1		X	(18-20 GA.)(NO.19)
	R78060	SOCKET CONTACT	1		X	(14-16 GA.)(NO.15)
3	R78047	SEAL	1		X	
4	RE12362	CONNECTOR	1		X	
5	R78052	PIN CONTACT CONNECTOR BODY	1		X	
6	R78061	PIN CONTACT	1		X	(14-16 GA.)(NO.15)
7	R78063	TERMINAL NIPPLE	1		X	(16 GA.)
8	RE12334	CONNECTOR	1		X	
9	R78060	SOCKET CONTACT	1		X	(14-16 GA.)(NO.15)
10	R78048	TERMINAL NIPPLE	1		X	
11	RE12363	CONNECTOR	1		X	
12	RE12331	CONNECTOR	1		X	(SUB RE12363, (2) R78060 AND (2) R78063)
13	R78053	PIN CONTACT CONNECTOR BODY	1		X	
14	RE12330	CONNECTOR	1		X	
15	R78049	SEAL	1		X	
16	RE12364	SOCKET CONT.CONNECTOR BODY	1		X	
17	R78054	PIN CONTACT CONNECTOR BODY	1		X	
18	RE12332	CONNECTOR	1		X	
19	R78050	SEAL	1		X	
20	RE12365	CONNECTOR	1		X	
21	RE12333	CONNECTOR	1		X	
22	R78055	PIN CONTACT CONNECTOR BODY	1		X	
23	R78061	PIN CONTACT	1		X	(14-16 GA.)(NO.15)
	R78058	PIN CONTACT	1		X	(18-20 GA.)(NO.19)
24	R78051	SEAL	1		X	
25	RE12366	CONNECTOR	1		X	
26	R78056	PIN CONTACT CONNECTOR BODY	1		X	
27	R78064	ELECTRICAL PLUG	1		X	

4E9

METI-PACK TERMINAL AND CONNECTORS
COSSES ET CONNECTEURS METRI-PACK
METRI-PACKANSCHLUSSE UND VERBINDER
MORSETTI METRI-PACK E COLLEGAMENTI ELETTRICI
TERMINALES Y CONECTORES METRI-PACK
METRI-PACK ANSLUTNINGSDON OCH KONTAKTER
RXP020749 -UN-01JAN94



RXP020749

4E10

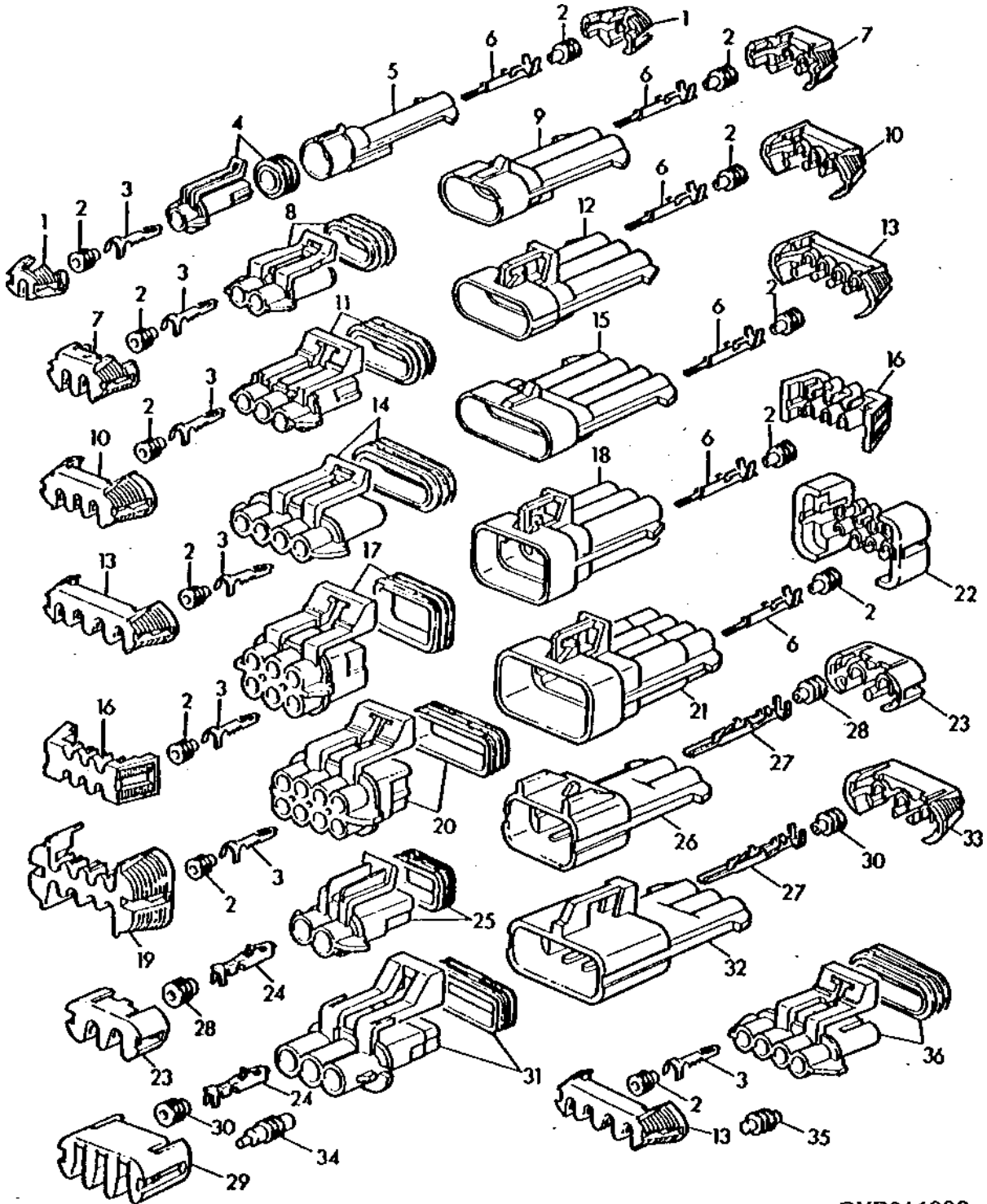
ELECTRICAL CONNECTORS

KEY	PART NO.	PART NAME	QTY	TRACTOR SERIAL NO.	A L L	REMARKS
1	R104701	TERMINAL	1		X	(14-16 GA.)
2	57M7278	CONNECTOR	1		X	(SUB FOR RE42192)
3	R104923	TERMINAL	1		X	(14-16 GA.)
4	R104920	CONNECTOR	1		X	
5	R104922	CONNECTOR	1		X	
6	R104921	TERMINAL	1		X	(14-16 GA.)
7	R78063	TERMINAL NIPPLE	1		X	(16 GA.)
8	R104919	PIN CONTACT	1		X	(18 GA.)
9	57M7265	PIN CONTACT CONNECTOR BODY	1		X	(SUB FOR RE42196)
10	57M7262	RECEPTACLE CONNECTOR BODY	1		X	(SUB FOR RE42195)
11	R104846	SOCKET CONTACT	1		X	(16 GA.)
12	R78063	TERMINAL NIPPLE	1		X	(16 GA.)
13	R104701	TERMINAL	1		X	(14-16 GA.)
14	R104700	CONNECTOR	1		X	
15	RE41949	CONNECTOR	1		X	
16	R104936	TERMINAL	1		X	(14-16 GA.)
	R104937	TERMINAL	1		X	(18 GA.)
	R104938	TERMINAL	1		X	(12 GA.)

4E11

ELECTRICAL CONNECTORS

METRI-PACK TERMINALS AND CONNECTORS
COSSES ET CONNECTEURS METRI-PACK
METRI-PACKANSCHLUSSE UND VERBINDER
MORSETTI METRI-PACK E COLLEGAMENTI ELETTRICI
TERMINALES Y CONECTORES METRI-PACK
METRI-PACK ANSLUTNINGSDON OCH KONTAKTER
RXP011000 -UN-01JAN94



RXP011000

4E12

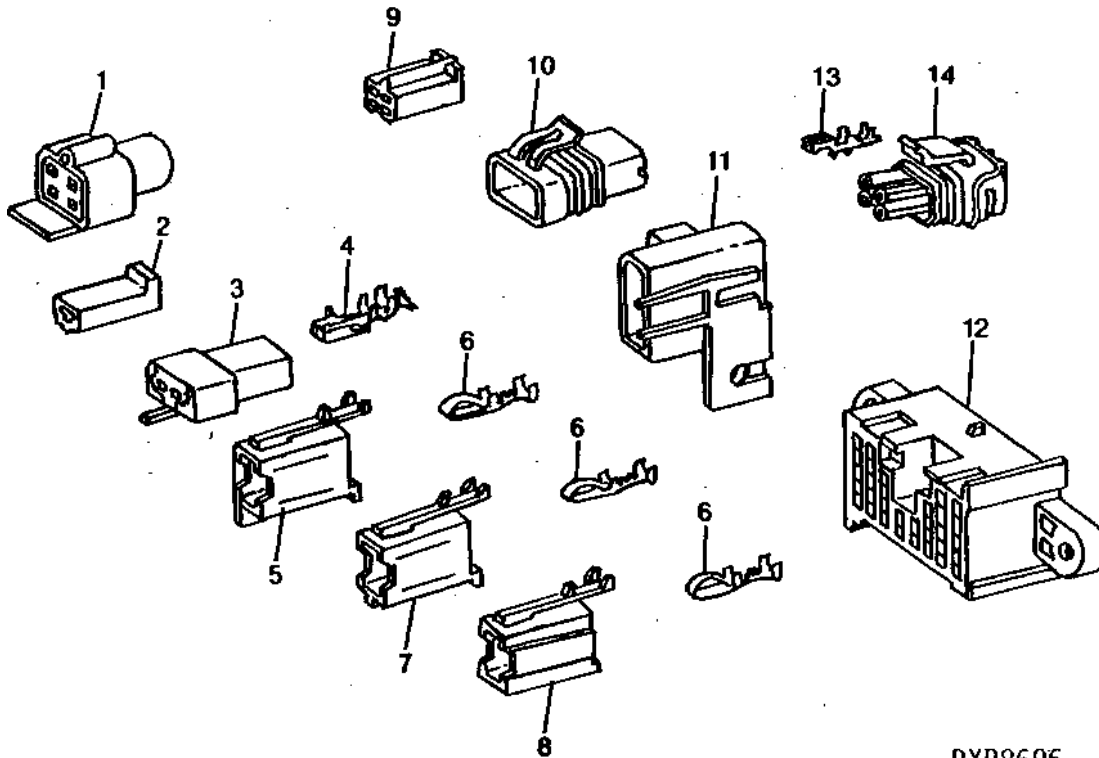
ELECTRICAL CONNECTORS

KEY	PART NO.	PART NAME	QTY	TRACTOR SERIAL NO.	A L L	REMARKS
1	57M7315	CONNECTOR	1		X	
2	57M7258	ELECTRICAL PLUG	AR		X	
3	R104846	SOCKET CONTACT	AR		X	(16 GA.)
4	57M7266	RECEPTACLE CONNECTOR BODY	1		X	
5	57M7267	PIN CONTACT CONNECTOR BODY	1		X	
6	R104919	PIN CONTACT	AR		X	(18 GA.)
7	57M7316	CONNECTOR	1		X	
8	57M7254	RECEPTACLE CONNECTOR BODY	1		X	
9	57M7256	PIN CONTACT CONNECTOR BODY	1		X	
10	57M7317	CONNECTOR	1		X	
11	57M7255	RECEPTACLE CONNECTOR BODY	1		X	
12	57M7257	PIN CONTACT CONNECTOR BODY	1		X	
13	57M7318	CONNECTOR	1		X	
14	57M7247	RECEPTACLE CONNECTOR BODY	1		X	
15	57M7244	PIN CONTACT CONNECTOR BODY	1		X	
16	57M7291	CONNECTOR	1		X	
17	57M7260	RECEPTACLE CONNECTOR BODY	1		X	
18	57M7263	PIN CONTACT CONNECTOR BODY	1		X	
19	57M7296	CONNECTOR	1		X	
20	57M7261	RECEPTACLE CONNECTOR BODY	1		X	
21	57M7264	PIN CONTACT CONNECTOR BODY	1		X	
22	57M7283	CONNECTOR	1		X	
23	57M7306	CONNECTOR	1		X	
24	57M7298	TERMINAL	AR		X	(14-16 GA.)
	57M7299	TERMINAL	AR		X	(12 GA.)
25	57M7309	RECEPTACLE CONNECTOR BODY	1		X	
26	57M7304	PIN CONTACT CONNECTOR BODY	1		X	
27	57M7286	TERMINAL	AR		X	(12 GA.)
	57M7277	TAB	AR		X	(14-16 GA.)
28	R78063	TERMINAL NIPPLE	AR		X	
29	57M7274	CONNECTOR	1		X	
30	R78059	ELECTRICAL PLUG	AR		X	
31	57M7280	CONNECTOR	1		X	
32	57M7305	PIN CONTACT CONNECTOR BODY	1		X	
33	57M7307	CONNECTOR	1		X	
34	R78064	ELECTRICAL PLUG	AR		X	
35	57M7259	ELECTRICAL PLUG	AR		X	
36	57M7364	RECEPTACLE CONNECTOR BODY	1		X	

4E13

ELECTRICAL CONNECTORS

ELECTRICAL CONNECTORS AND TERMINALS
 CONNECTEURS ET COSSES ELECTRIQUES
 ELEKTROSTECKER UND ANSCHLUSSKLEMMEN
 COLLEGAMENTI E MORSETTI ELETTRICI
 CONECTORES Y TERMINALES ELECTRICOS
 ELEKTRISKA KOPPLINGAR OCH ANSLUTNINGAR
 RXP8696 -UN-01JAN94



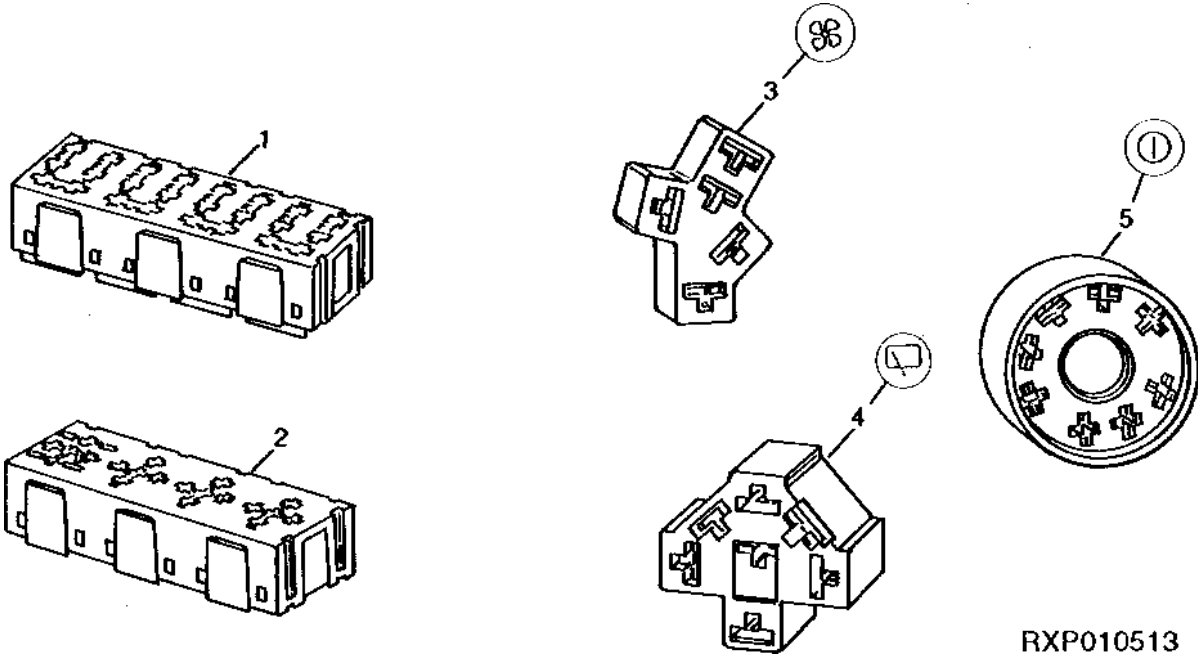
RXP8696

KEY	PART NO.	PART NAME	QTY	TRACTOR SERIAL NO.	A	REMARKS
					L	
1	T24166	CONNECTOR	1		X	(SUB FOR R104425)
2	R104926	ELECTRICAL PLUG	1		X	
3	R104927	ELECTRICAL PLUG	1		X	
4	R104928	TERMINAL	1		X	(14-16 GA.)
5	R104929	ELECTRICAL PLUG	1		X	
6	R104932	ELECTRICAL PLUG	1		X	(18-20 GA.)
7	R104930	CONNECTOR	1		X	
8	R104931	ELECTRICAL PLUG	1		X	
9	T24167	RECEPTACLE CONNECTOR BODY	1		X	(ALSO ORDER R65595 OR U4662)
10	R104570	CONNECTOR	1		X	
11	R104572	CAP	1		X	
12	R104934	CONNECTOR	1		X	
13	R104571	TERMINAL	1		X	(12 GA.)
	R104933	TERMINAL	1		X	(14-16 GA.)
14	RE42193	CONNECTOR	1		X	

4E14

ELECTRICAL CONNECTORS

ELECTRICAL CONNECTORS
 CONNECTEURS ELECTRIQUES
 ELEKTRISCHE ANSCHLUESSE
 CONNECTORI ELETTRICI
 CONECTORES ELECTRICOS
 ELKOPPLINGAR
 RXP010513 -UN-01JAN94



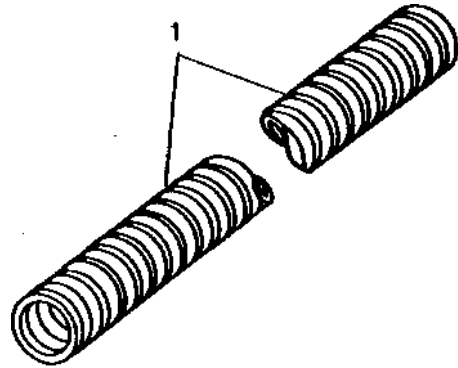
KEY	PART NO.	PART NAME	QTY	TRACTOR SERIAL NO.	A	
					L	REMARKS
1	RE43737	TERMINAL BOARD	4		X	(A)
2	RE49724	TERMINAL BOARD	8		X	(B)
3	RE46734	CONNECTOR	1		X	
4	RE46735	CONNECTOR	1		X	
5	RE46736	CONNECTOR	1		X	(ALSO ORDER (8) 57M7429)

(A) FUSE
 FUSIBLE
 SICHERUNG
 FUSIBILE
 FUSIBLE
 SAEKRING

(B) RELAYS
 RELAIS
 RELAIS
 RELE'
 RELE
 RELAE

4E15

CONDUIT
 GAINE DE TUBULAIRE
 ISOLIER SCHLAUCH
 GUAINA TUBOLARE
 VAINA
 SKYDDSRÖER
 RXP010999 -UN-01JAN94



RXP010999

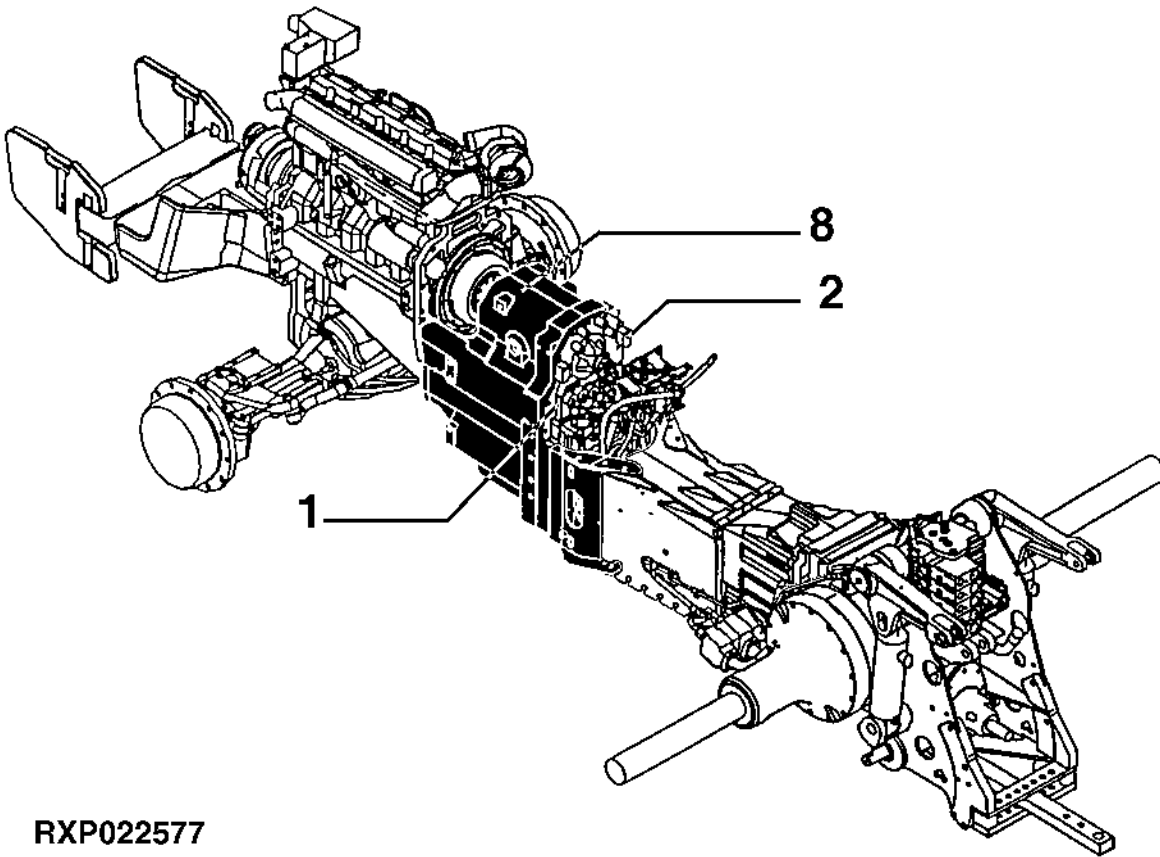
KEY	PART NO.	PART NAME	QTY	TRACTOR SERIAL NO.	A	REMARKS
					L	
1	R93219	CONDUIT	1		X	6.3 X 3048 MM(1/4" X 120")
	R93220	CONDUIT	1		X	10.4 X 3048 MM(13/32" X 120")
	R93221	CONDUIT	1		X	15.9 X 3048 MM(5/8" X 120")
	R93222	CONDUIT	1		X	25.4 X 3048 MM(1" X 120")

4E19

POWER SHIFT TRANSMISSION

SECTIONAL INDEX (TSN -019999)
INDEX DE SECTION (TSN -019999)
GRUPPENINDEX (TSN -019999)
INDICE DELLA SEZIONE (TSN -019999)
INDICE DE SECCION (TSN -019999)
GRUPPSFORTECKNING (TSN -019999)
RXP022577 -UN-11MAY99

1 -	4F1
2 -	4F17
3 -	4F21
4 -	4F22
5 -	4G1
6 -	4G5
7 -	4G11
8 -	4G13
9 -	4G15
10 -	4G17
11 -	4H13
12 -	4H19
13 -	4H23
14 -	4I1
15 -	4I5
16 -	4I9
17 -	4I15
18 -	4I17



RXP022577

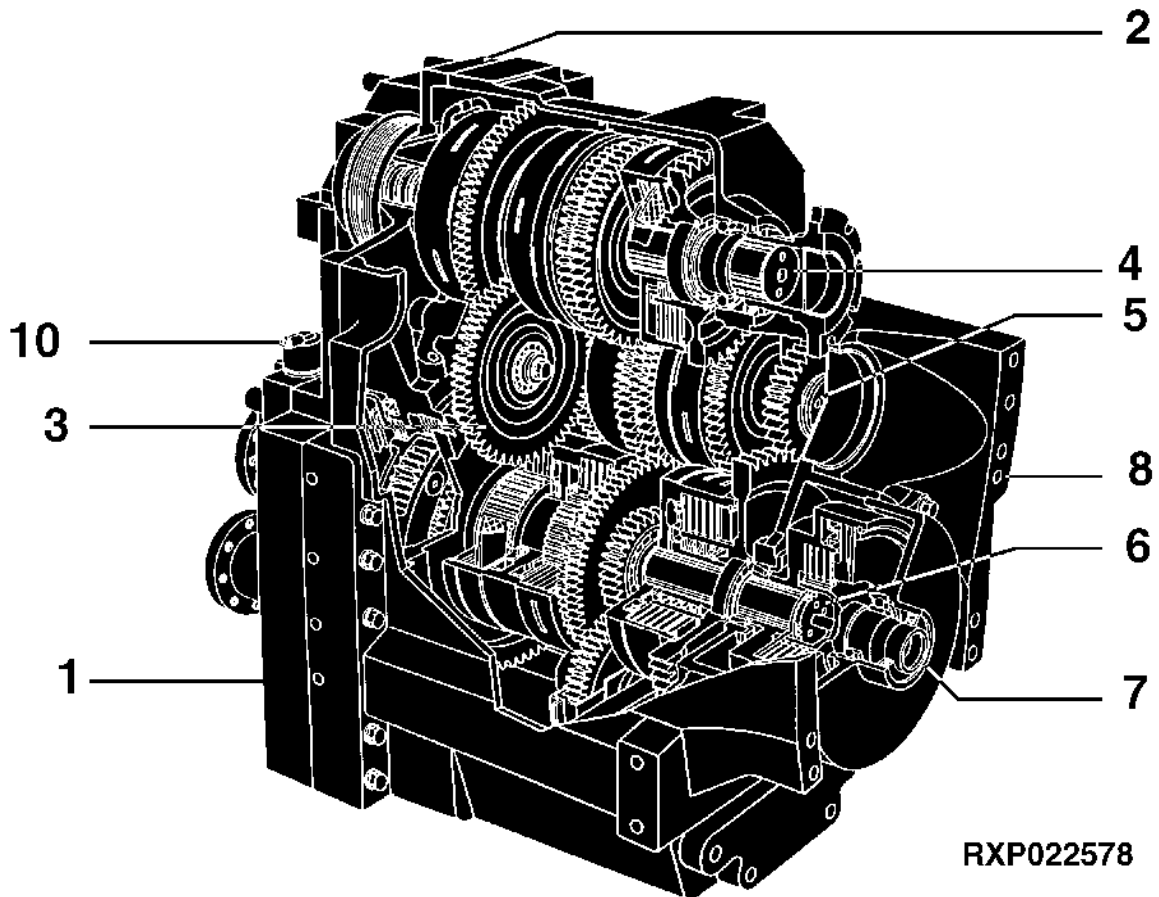
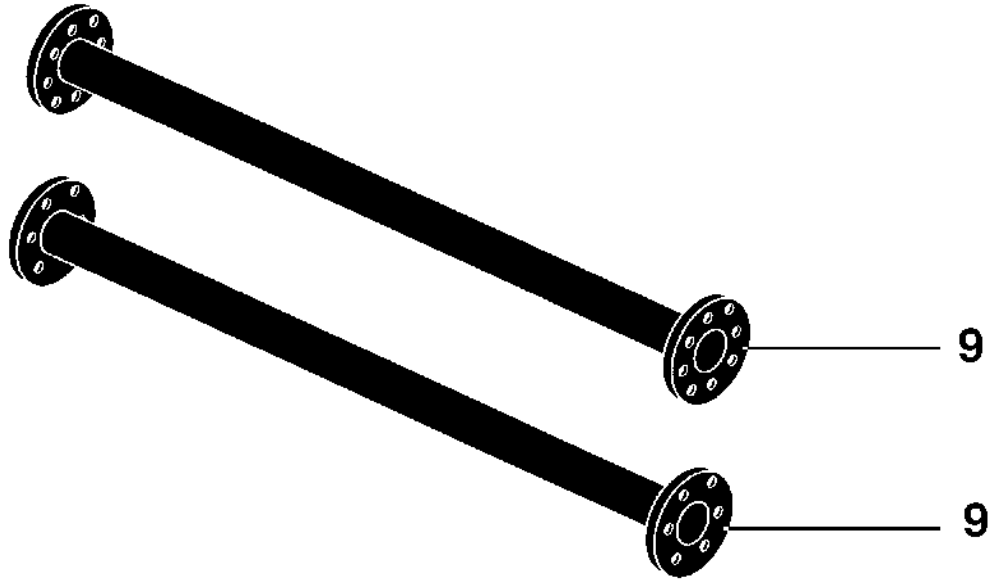
4E20

POWER SHIFT TRANSMISSION

SECTIONAL INDEX (TSN -019999)
INDEX DE SECTION (TSN -019999)
GRUPPENINDEX (TSN -019999)
INDICE DELLA SEZIONE (TSN -019999)
INDICE DE SECCION (TSN -019999)
GRUPPSFORTECKNING (TSN -019999)

RXP022578 -UN-11MAY99

1-	4F1
2-	4F17
3-	4F21
4-	4F22
5-	4G1
6-	4G5
7-	4G11
8-	4G13
9-	4G15
10-	4G17
11-	4H13
12-	4H19
13-	4H23
14-	4I1
15-	4I5
16-	4I9
17-	4I15
18-	4I17



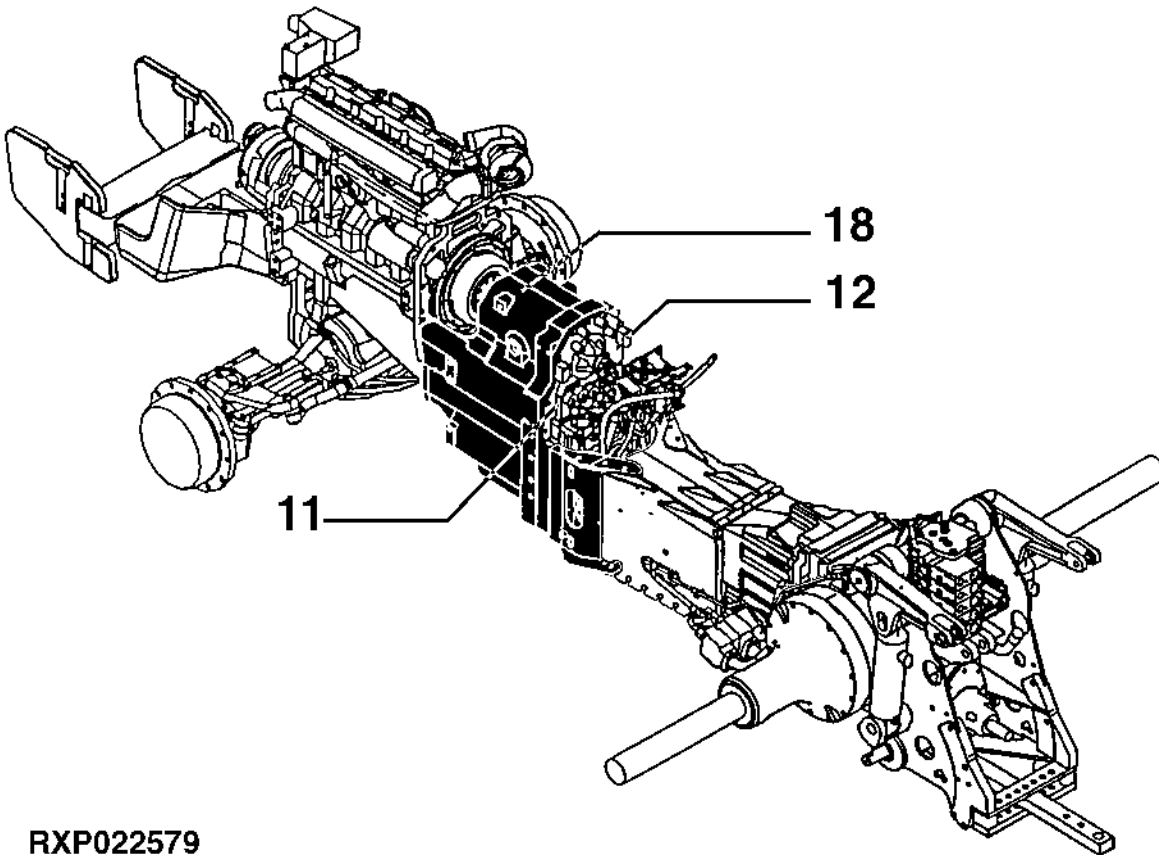
RXP022578

4E21

POWER SHIFT TRANSMISSION

SECTIONAL INDEX (TSN 020000-))
INDEX DE SECTION (TSN 020000-))
GRUPPENINDEX (TSN 020000-))
INDICE DELLA SEZIONE (TSN 020000-))
INDICE DE SECCION (TSN 020000-))
GRUPPSFORTECKNING (TSN 020000-))
RXP022579 -UN-11MAY99

1 -	4F1
2 -	4F17
3 -	4F21
4 -	4F22
5 -	4G1
6 -	4G5
7 -	4G11
8 -	4G13
9 -	4G15
10 -	4G17
11 -	4H13
12 -	4H19
13 -	4H23
14 -	4I1
15 -	4I5
16 -	4I9
17 -	4I15
18 -	4I17



RXP022579

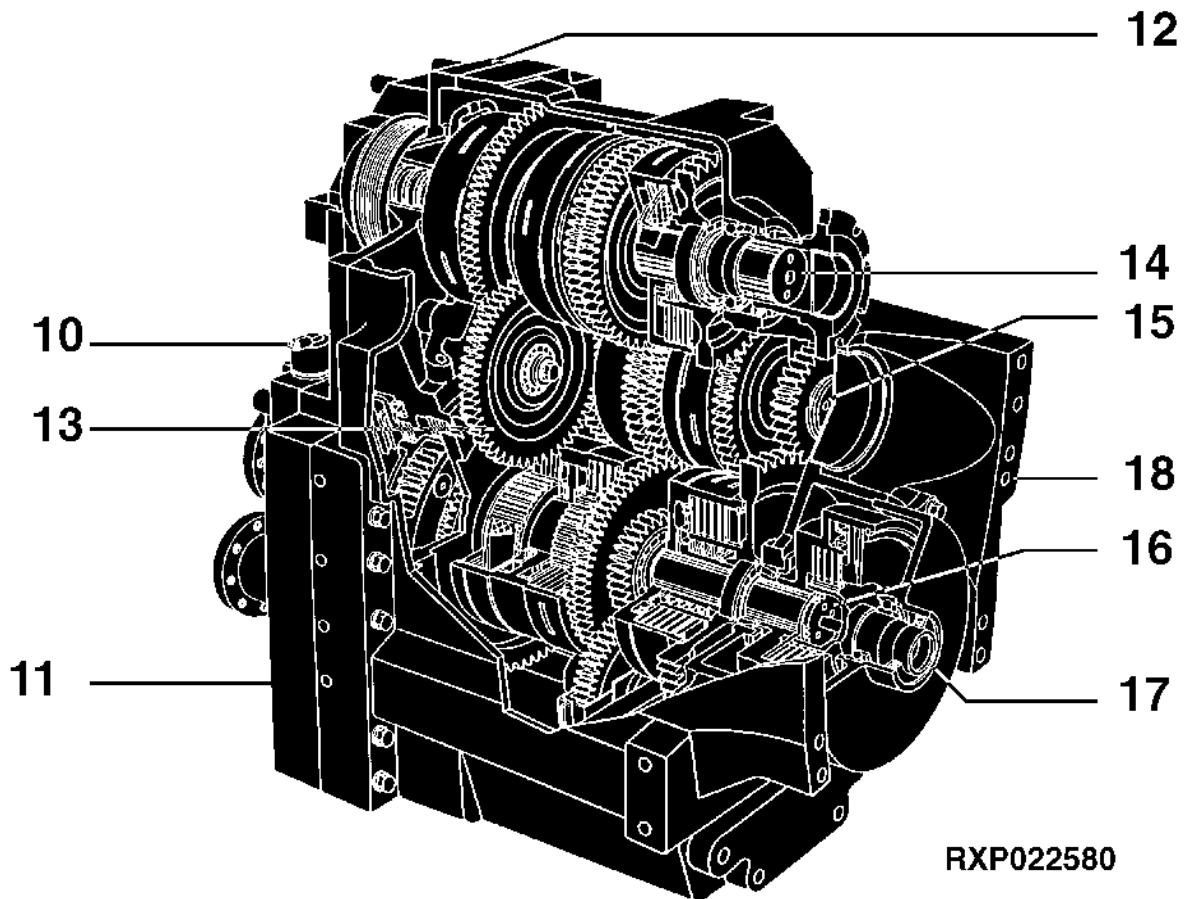
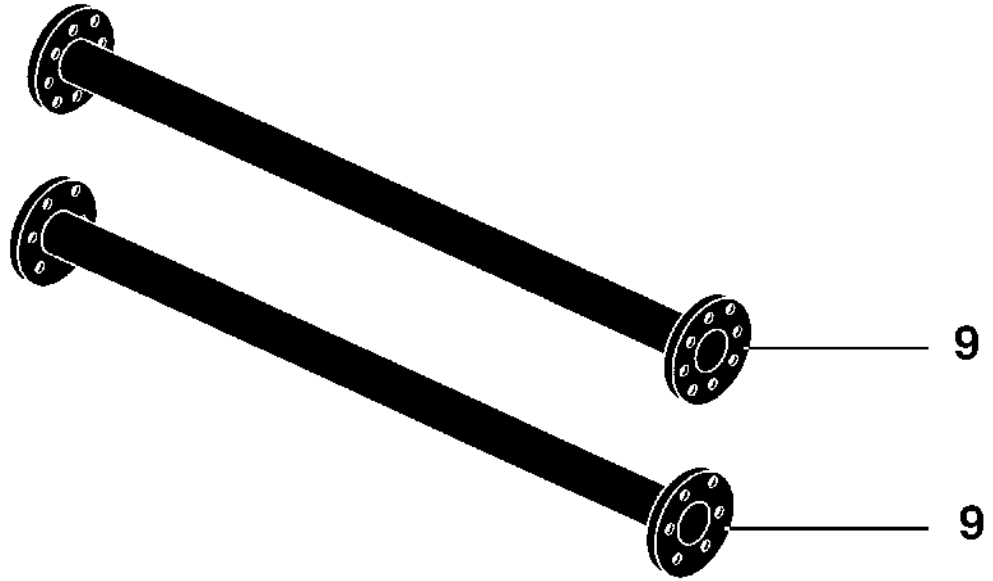
4E22

POWER SHIFT TRANSMISSION

SECTIONAL INDEX (TSN 020000-)
INDEX DE SECTION (TSN 020000-)
GRUPPENINDEX (TSN 020000-)
INDICE DELLA SEZIONE (TSN 020000-)
INDICE DE SECCION (TSN 020000-)
GRUPPSFORTECKNING (TSN 020000-)

RXP022580 -UN-11MAY99

1 -	4F1
2 -	4F17
3 -	4F21
4 -	4F22
5 -	4G1
6 -	4G5
7 -	4G11
8 -	4G13
9 -	4G15
10 -	4G17
11 -	4H13
12 -	4H19
13 -	4H23
14 -	4I1
15 -	4I5
16 -	4I9
17 -	4I15
18 -	4I17



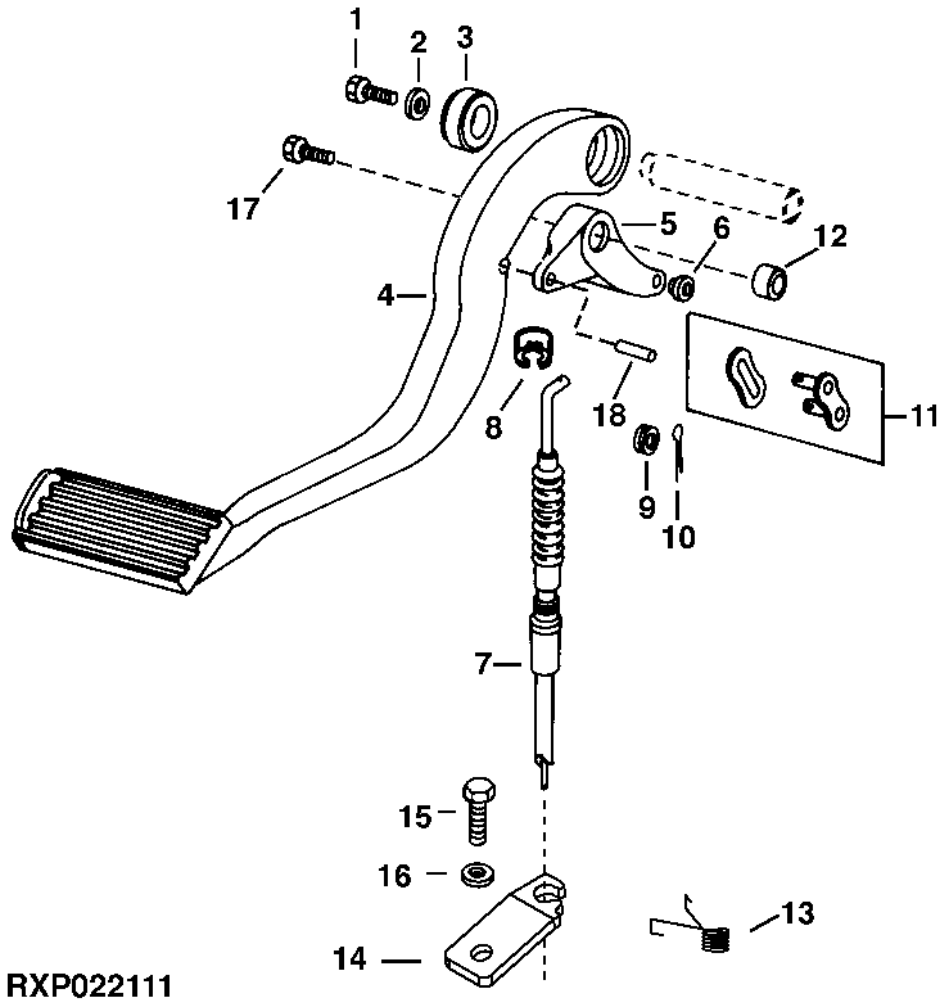
RXP022580

MEMORANDA
MEMORANDA
MEMORANDA
MEMORANDA
MEMORANDA

4E23

POWER SHIFT TRANSMISSION

CLUTCH PEDAL (TSN 8100,8200,8300,8400 -019999)
PEDALE D'EMBR (TSN 8100,8200,8300,8400 -019999)
KUPPLUNGSFUSSHEBEL (TSN 8100,8200,8300,8400 -019999)
PEDALE FRIZIONE (TSN 8100,8200,8300,8400 -019999)
PEDAL DEL EMBRAGUE (TSN 8100,8200,8300,8400 -019999)
KOPPLINGSPEDAL (TSN 8100,8200,8300,8400 -019999)
RXP022111 -UN-07JUN97



4E24

POWER SHIFT TRANSMISSION

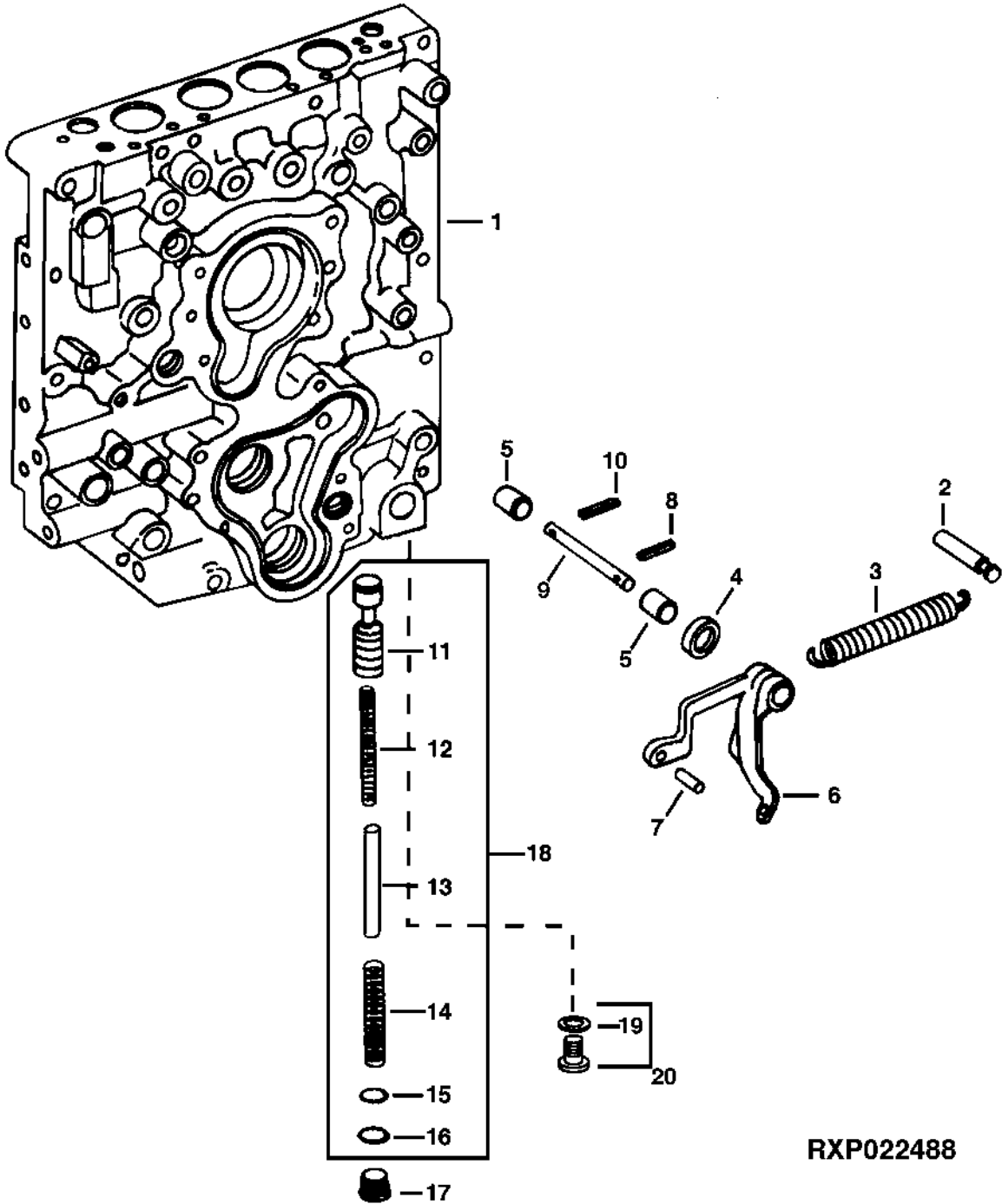
KEY	PART NO.	PART NAME	QTY	TRANSMISSION SERIAL NO.	A L L	REMARKS
1	19M7932	CAP SCREW	1		X	M8 X 16
2	R56397	WASHER	1		X	
3	JD8535	BALL BEARING	1		X	
4	R122783	PEDAL	1	-XXXXXX	X	(SUB R127830 AND R127832)
	R127830	PEDAL	1	XXXXXX-	X	
5	R122784	ARM	1	-XXXXXX	X	
	R127831	ARM	1	XXXXXX-	X	
6	R78425	BUSHING	1		X	
7	RE60687	CABLE	1		X	
8	R108214	CLIP	1		X	UP
9	R113023	GROMMET	1		X	
10	11M7059	COTTER PIN	2		X	3.200 X 20 MM
11	J4216H	CHAIN LINK	1		X	
12	JD10181	BALL BEARING	2		X	
13	R121823	SPRING	1		X	LOW
14	R124428	BRACKET	1		X	
	R131875	BRACE	1		X	(A)
15	19M7938	CAP SCREW	1		X	M10 X 20
16	24M7346	WASHER	1		X	11 X 20 X 2 MM
17	19M8291	SCREW	1		X	M8 X 35
18	R127832	BUSHING	1	XXXXXX-	X	

(A) EUROPEAN VERSION
 VERSION EUROPEENNE
 EROPAEISCHE AUSFUEHRUNG
 VERSIONE EUROPEA
 VERSION EUROPEA
 EUROPEISK VERSION

4F1

POWER SHIFT TRANSMISSION

MANIFOLD (TSN 8100,8200,8300,8400 -019999)
COLLECTEUR (TSN 8100,8200,8300,8400 -019999)
KUPPLUNGS (TSN 8100,8200,8300,8400 -019999)
COLLETORE (TSN 8100,8200,8300,8400 -019999)
MULTIPLE (TSN 8100,8200,8300,8400 -019999)
KOPPLINGSGRENDOER (TSN 8100,8200,8300,8400 -019999)
RXP022488 -UN-23FEB98



RXP022488

4F2

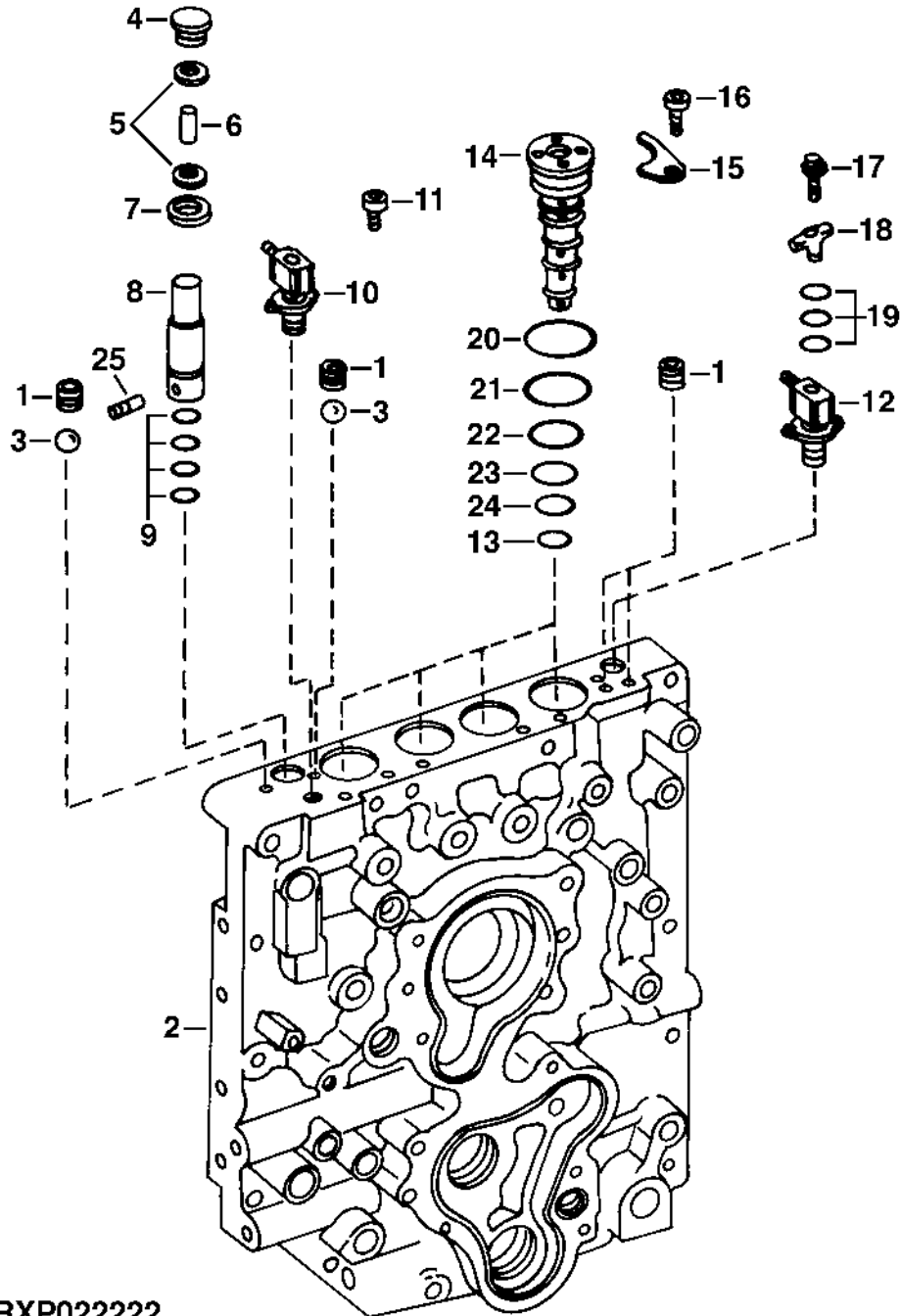
POWER SHIFT TRANSMISSION

KEY	PART NO.	PART NAME	QTY	TRANSMISSION SERIAL NO.	A	REMARKS
					L	
1	R108466	MANIFOLD	1	-008116	X	(MARKED R108466 OR RE63455) (SUB RE70834)
	RE70834	KIT	1	008117-	X	(MARKED R128681) (SUB FOR RE64309)
2	R108565	PIN	1		X	
3	R108499	SPRING	1		X	
4	AR103873	SEAL	1		X	
5	JD9833	NEEDLE BEARING	2		X	
6	R108500	LEVER	1		X	
7	R48685	DOWEL PIN	1		X	
8	34M7207	SPRING PIN	1		X	5 X 30 MM
9	R108551	SHAFT	1		X	
10	34M7207	SPRING PIN	1		X	5 X 30 MM
11	R115501	VALVE	1		X	
12	R125208	SPRING	1		X	
13	R116726	PIN	1		X	
14	R125209	SPRING	1		X	
15	R115504	SHIM	AR		X	
16	51M7045	O-RING	1		X	
17	R116115	FITTING	1		X	
18	RE68291	KIT	1		X	
19	51M7041	O-RING	1		X	
20	RE46684	PLUG	1		X	

4F3

POWER SHIFT TRANSMISSION

MANIFOLD (TSN 8100,8200,8300,8400 -019999)
COLLECTEUR (TSN 8100,8200,8300,8400 -019999)
KUPPLUNGS (TSN 8100,8200,8300,8400 -019999)
COLLETORE (TSN 8100,8200,8300,8400 -019999)
MULTIPLE (TSN 8100,8200,8300,8400 -019999)
KOPPLINGSGRENROER (TSN 8100,8200,8300,8400 -019999)
RXP022222 -UN-21AUG97



RXP022222

4F4

POWER SHIFT TRANSMISSION

KEY	PART NO.	PART NAME	QTY	TRANSMISSION SERIAL NO.	A	REMARKS
					L	
1	R125064	PIPE PLUG	1		X	
	R125064	PIPE PLUG	3		X	
2	R108466	MANIFOLD	1	-008116	X	(MARKED R108466) (SUB FOR RE63236 OR RE63455) (SUB RE70834) (ALSO ORDER (3) RE63751)
	RE70834	KIT	1	008117-	X	(MARKED R128681) (SUB FOR RE64309)
3	D2361	BALL	2		X	
4	R97116	KNOB	1		X	
5	24M7139	WASHER	2		X	
6	R108562	STUD	1		X	
7	AR103873	SEAL	1		X	
8	R108489	VALVE	1		X	
9	R33259	O-RING	4		X	
10	RE52319	SOLENOID VALVE	1		X	(A)
11	19M7560	CAP SCREW	4		X	M6 X 16
12	RE52319	SOLENOID VALVE	1		X	(A)
13	P42061	O-RING	4		X	
14	RE71489	VALVE	4		X	(ALSO ORDER U41966, U11326, R106663, R62070, R27928 AND P42061)
	R150892	SCREEN	4		X	
	R150891	SUPPORT	8		X	
15	R95045	CLAMP	4		X	
16	19M7560	CAP SCREW	4		X	M6 X 16
17	19M7775	SCREW	2		X	(B) M6 X 16, HS 10.9
18	L100496	PLUG	1		X	(B)
19	RE47392	O-RING KIT	1		X	(B)
20	U41966	O-RING	4		X	
21	R106663	O-RING	4		X	
22	U11326	O-RING	4		X	
23	R62070	RING	4		X	
24	R27928	O-RING	4		X	
25	R44394	NEEDLE ROLLER	1		X	

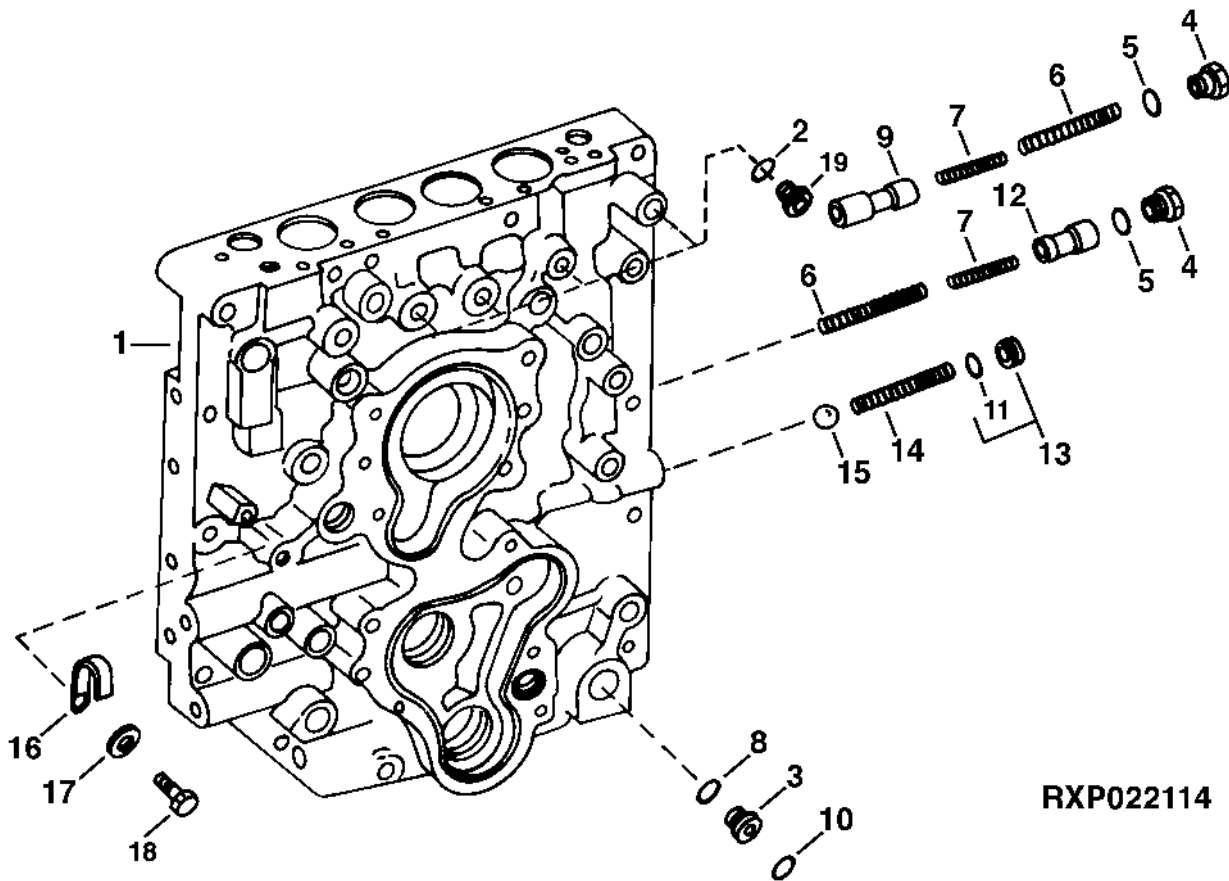
(A) MECHANICAL FRONT WHEEL DRIVE
 TRACTION AVANT MECANIQUE
 MECHANISCHER FRONTANTRIEB
 TRAZIONE ANTERIORE MECANNICA
 TRACCION DELANTERA
 MEKANISK FRAMHJULSDRIVNING

(B) W/O MECHANICAL FRONT WHEEL DRIVE
 W/O TRACTION AVANT MECANIQUE
 W/O MECHANISCHER FRONTANTRIEB
 W/O TRAZIONE ANTERIORE MECANNICA
 W/O TRACCION DELANTERA
 W/O MEKANISK FRAMHJULSDRIVNING

4F5

POWER SHIFT TRANSMISSION

MANIFOLD (TSN 8100,8200,8300,8400 -019999)
COLLECTEUR (TSN 8100,8200,8300,8400 -019999)
KUPPLUNGS (TSN 8100,8200,8300,8400 -019999)
COLLETTORE (TSN 8100,8200,8300,8400 -019999)
MULTIPLE (TSN 8100,8200,8300,8400 -019999)
KOPPLINGSGRENROER (TSN 8100,8200,8300,8400 -019999)
RXP022114 -UN-07JUN97



RXP022114

4F6

POWER SHIFT TRANSMISSION

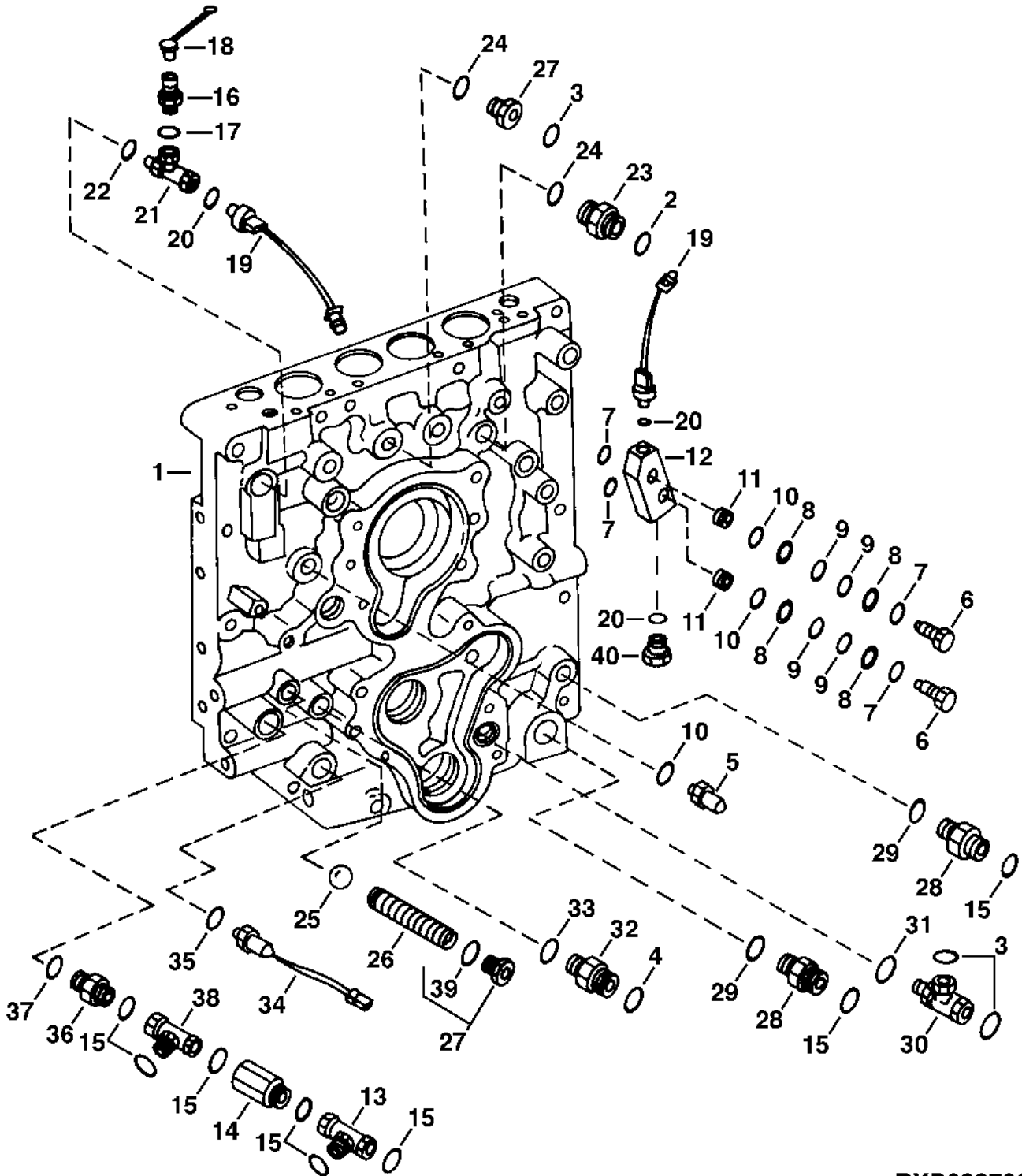
KEY	PART NO.	PART NAME	QTY	TRANSMISSION SERIAL NO.	A L L	REMARKS
1	R108466	MANIFOLD	1	-008116	X	(MARKED R108466) (SUB FOR RE63236 OR RE63455) (SUB RE70834) (ALSO ORDER (3) RE63751)
	RE70834	KIT	1	008117-	X	(MARKED R128681) (SUB FOR RE64309)
2	51M7041	O-RING	5		X	(A)
3	38H5121	ADAPTER	1		X	(A)
4	R116115	FITTING	1		X	
5	51M7045	O-RING	1		X	
6	R150574	SPRING	2		X	
7	R150573	SPRING	2		X	
8	51M7045	O-RING	1		X	
9	R120235	VALVE	1		X	
10	T77858	O-RING	1		X	
11	51M7043	O-RING	1	008117-	X	15.300 X 2.200 MM
12	R108491	VALVE	1		X	
13	R125064	PIPE PLUG	1	-008116	X	
	RE63751	PIPE PLUG	1	008117-	X	
14	R108502	SPRING	1		X	
15	D2361	BALL	1		X	
16	R72853	CLAMP	1	-XXXXXX	X	
17	24M7040	WASHER	1	-XXXXXX	X	11 X 20 X 2 MM
18	19M8324	CAP SCREW	1	-XXXXXX	X	M10 X 16
19	RE46684	PLUG	5	-XXXXXX	X	(A)

(A)MECHANICAL FRONT WHEEL DRIVE
 TRACTION AVANT MECANIQUE
 MECHANISCHER FRONTANTRIEB
 TRAZIONE ANTERIORE MECANNICA
 TRACCION DELANTERA
 MEKANISK FRAMHJULSDRIVNING

4F7

POWER SHIFT TRANSMISSION

MANIFOLD (TSN 8100,8200,8300,8400 -019999)
COLLECTEUR (TSN 8100,8200,8300,8400 -019999)
KUPPLUNGS (TSN 8100,8200,8300,8400 -019999)
COLLETTE (TSN 8100,8200,8300,8400 -019999)
MULTIPLE (TSN 8100,8200,8300,8400 -019999)
KOPPLINGSGRENROER (TSN 8100,8200,8300,8400 -019999)
RXP022790 -UN-24AUG98



RXP022790

4F8

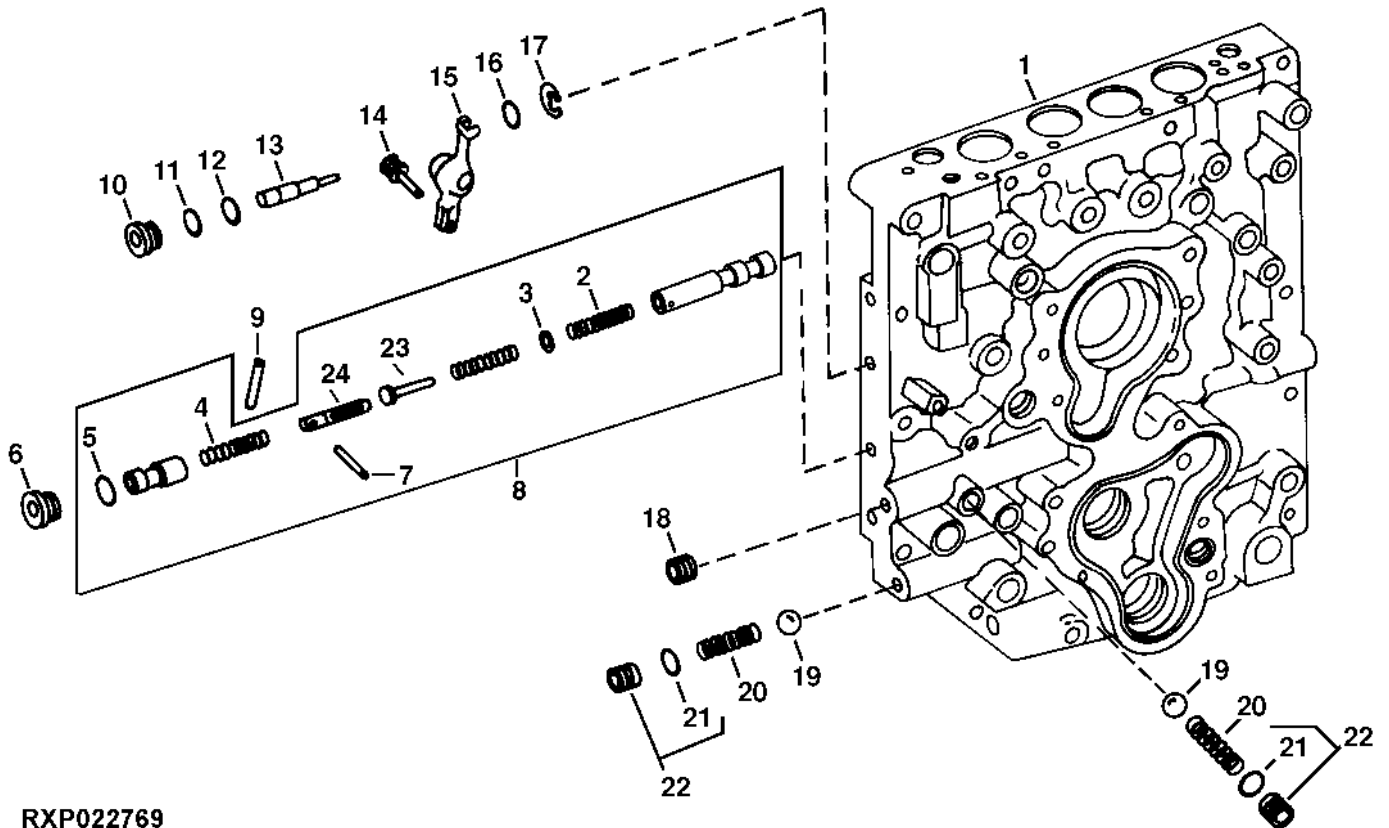
POWER SHIFT TRANSMISSION

KEY	PART NO.	PART NAME	QTY	TRANSMISSION SERIAL NO.	A	REMARKS
					L	
1	R108466	MANIFOLD	1	-008116	X	(MARKED R108466) (SUB FOR RE63236 OR RE63455) (SUB RE70834) (ALSO ORDER (3) RE63751)
	RE70834	KIT	1	008117-	X	(MARKED R128681) (SUB FOR RE64309)
2	T77857	O-RING	1		X	
3	T77932	O-RING	3		X	
4	T77613	O-RING	1		X	
5	RE46534	SWITCH	1		X	
6	R125991	FITTING	2		X	
7	R26149	PACKING	4		X	
8	R32588	BACK-UP RING	NA		X	
9	R126014	O-RING	4		X	
10	51M7041	O-RING	3		X	
11	T71307	ORIFICE	2		X	
12	R125992	ISOLATOR	1		X	
13	38H5136	TEE FITTING	1		X	
14	RE51573	FITTING	1		X	
15	T77858	O-RING	8		X	
16	RE12187	RECEPTACLE	1		X	
17	51M7041	O-RING	1		X	
18	R77175	COVER	1		X	
19	RE160680	SWITCH	2		X	(SUB FOR RE65350 OR RE66881)
	RE67263	SHIELD	1		X	
20	51M7041	O-RING	3		X	
21	RE61274	TEE FITTING	1		X	
22	51M7041	O-RING	1		X	
23	38H5003	ADAPTER	1		X	
24	51M7043	O-RING	2		X	
25	D2361	BALL	1		X	
26	R108502	SPRING	1		X	
27	38H5010	ADAPTER	1	-008116	X	
	RE63751	PIPE PLUG	1	008117-	X	
28	38H5121	ADAPTER	2		X	
29	51M7045	O-RING	2		X	
30	38H5140	TEE FITTING	1		X	
31	51M7047	O-RING	1		X	
32	38H5002	ADAPTER	1		X	
33	51M7041	O-RING	1		X	
34	RE70062	SWITCH	1	-XXXXXX	X	(SUB FOR RE52868)
	RE46684	PLUG	1	XXXXXX-	X	
	51M7041	O-RING	1	XXXXXX-	X	
35	51M7041	O-RING	1		X	
36	38H5005	ADAPTER	1		X	
37	51M7047	O-RING	1		X	
38	38H5136	TEE FITTING	1		X	
39	51M7043	O-RING	1	008117-	X	
40	RE46684	PLUG	1		X	

4F9

POWER SHIFT TRANSMISSION

MANIFOLD (TSN 8100,8200,8300,8400 -019999)
COLLECTEUR (TSN 8100,8200,8300,8400 -019999)
KUPPLUNGS (TSN 8100,8200,8300,8400 -019999)
COLLETORE (TSN 8100,8200,8300,8400 -019999)
MULTIPLE (TSN 8100,8200,8300,8400 -019999)
KOPPLINGSGRENROER (TSN 8100,8200,8300,8400 -019999)
RXP022769 -UN-16JUL98



RXP022769

4F10

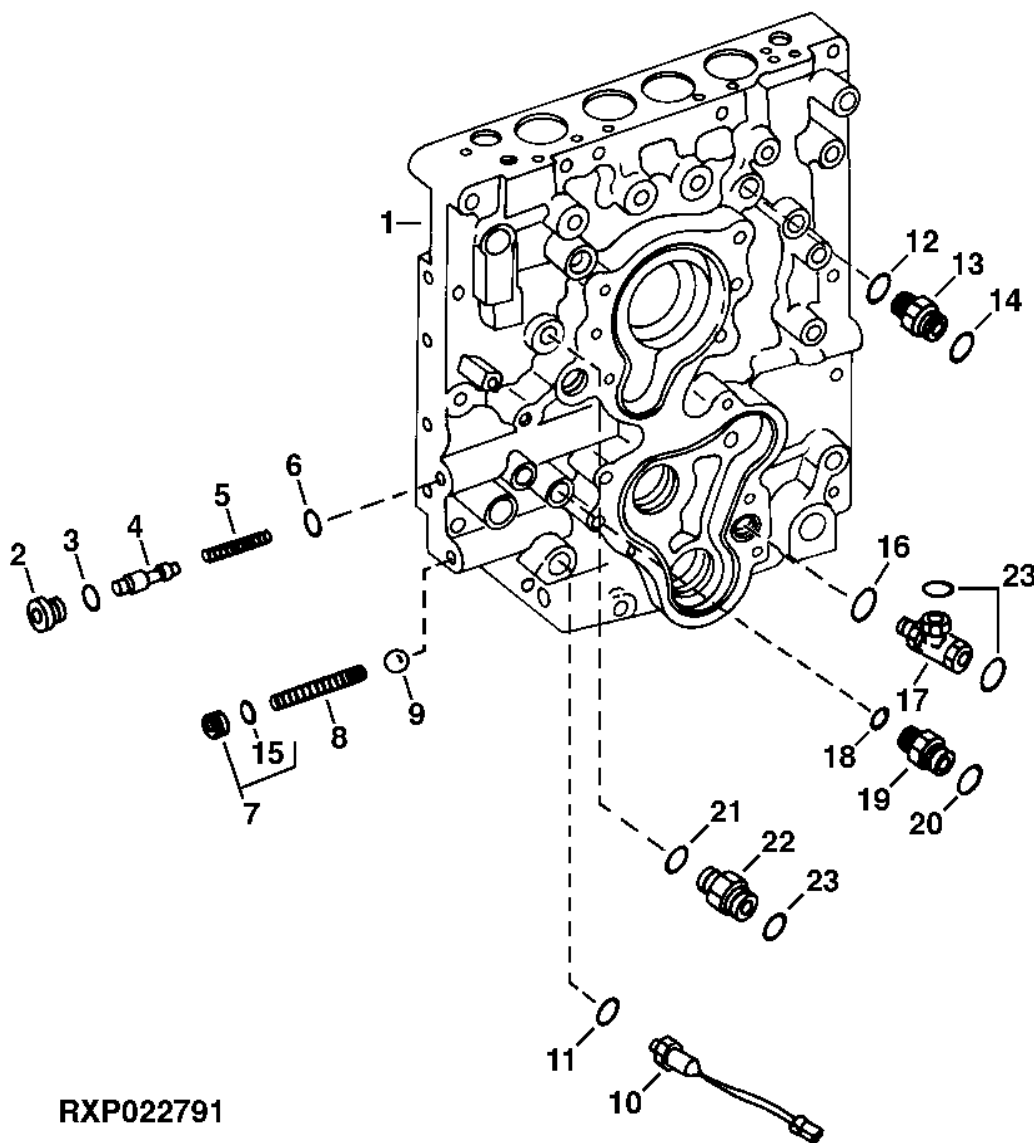
POWER SHIFT TRANSMISSION

KEY	PART NO.	PART NAME	QTY	TRANSMISSION SERIAL NO.	A L L	REMARKS
1	R108466	MANIFOLD	1	-008116	X	(MARKED RE63455) (SUB FOR RE63236 OR RE63455) (SUB RE70834) (ALSO ORDER (3) RE63751)
	RE70834	KIT	1	008117-	X	(MARKED R128681) (SUB FOR RE64309)
2	R104814	SPRING	1		X	
3	R52665	DISK	1		X	
4	R104814	SPRING	1		X	
5	51M7045	O-RING	1		X	19.300 X 2.200 MM
6	R116115	FITTING	1		X	
7	34H261	SPRING PIN	1		X	
8	RE68292	KIT	1		X	
9	R44394	NEEDLE ROLLER	1		X	
10	R116115	FITTING	1		X	
11	51M7045	O-RING	1		X	19.300 X 2.200 MM
12	R33259	O-RING	1		X	
13	R108492	VALVE	1		X	
14	R104745	PIN	1		X	
15	R108488	ARM	1		X	
16	24M7036	WASHER	1		X	9 X 16 X 1.600 MM
17	R72653	SNAP RING	1		X	
18	R125064	PIPE PLUG	1		X	
19	D2361R	BALL	2		X	
20	R108502	SPRING	2		X	
21	51M7043	O-RING	2	008117-	X	
22	RE63751	PIPE PLUG	2	008117-	X	
23	R121609	GUIDE	1		X	
24	R122197	LINK	1		X	

4F11

POWER SHIFT TRANSMISSION

MANIFOLD (TSN 8100,8200,8300,8400 -019999)
COLLECTEUR (TSN 8100,8200,8300,8400 -019999)
KUPPLUNGS (TSN 8100,8200,8300,8400 -019999)
COLLETTORE (TSN 8100,8200,8300,8400 -019999)
MULTIPLE (TSN 8100,8200,8300,8400 -019999)
KOPPLINGSGRENROER (TSN 8100,8200,8300,8400 -019999)
RXP022791 -UN-25AUG98



RXP022791

4F12

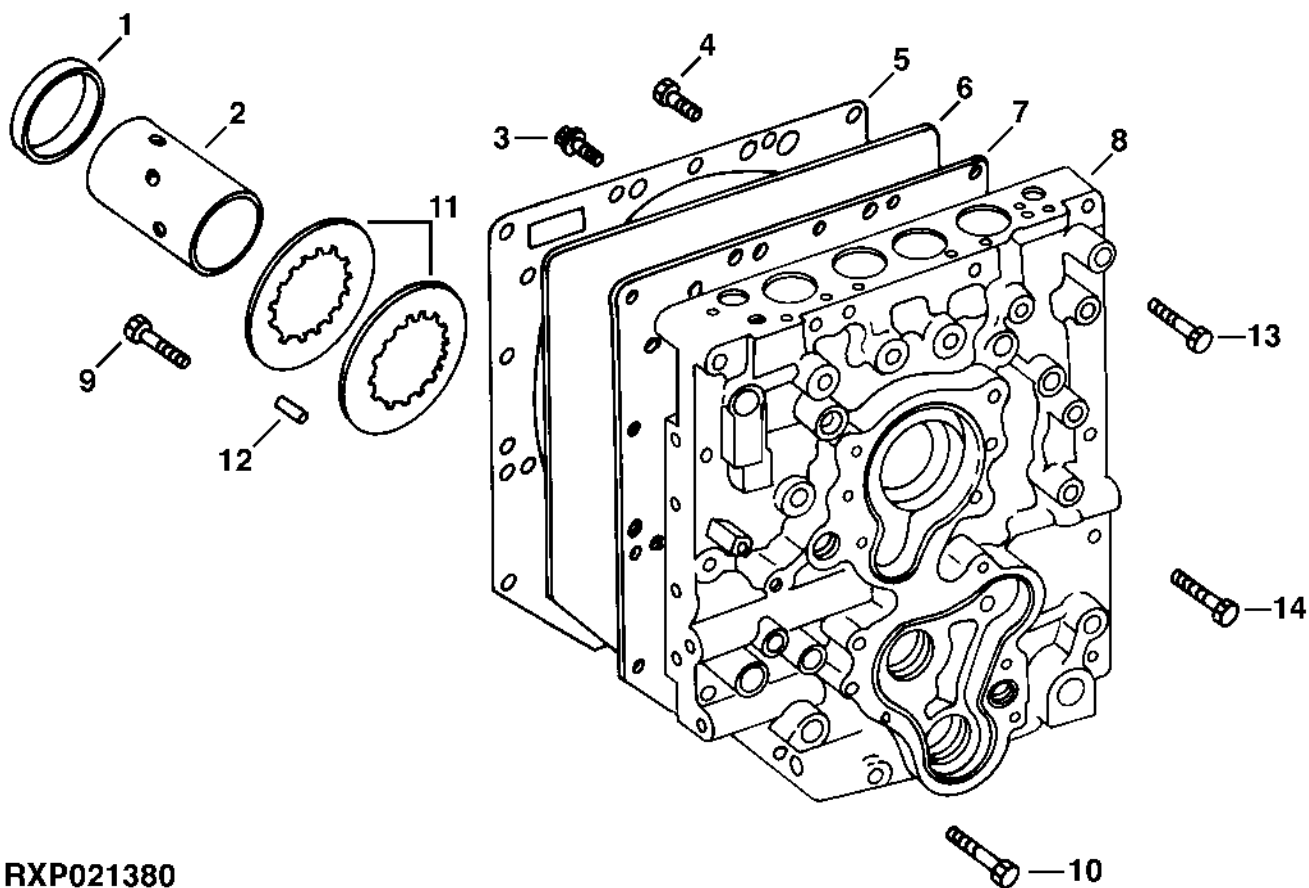
POWER SHIFT TRANSMISSION

KEY	PART NO.	PART NAME	QTY	TRANSMISSION SERIAL NO.	A L L	REMARKS
1	R108466	MANIFOLD	1	-008116	X	(MARKED RE63455) (SUB FOR RE63236 OR RE63455) (SUB RE70834) (ALSO ORDER (3) RE63751)
	RE70834	KIT	1	008117-	X	(MARKED R128681) (SUB FOR RE64309)
2	R116115	FITTING	1		X	
3	51M7045	O-RING	1		X	
4	R125848	VALVE	1		X	
5	R104814	SPRING	1		X	
6	R33259	O-RING	1		X	
7	R125064	PIPE PLUG	1	-008116	X	
	RE63751	PIPE PLUG	1	008117-	X	
8	R108501	SPRING	1		X	
9	D2361	BALL	1		X	
10	RE70062	SWITCH	1		X	(SUB FOR RE52868)
11	51M7041	O-RING	1		X	
12	51M7043	O-RING	1	-009999	X	
13	38H5003	ADAPTER	1	-009999	X	
	RE46685	PLUG	1	010000-	X	
14	T77857	O-RING	1	-009999	X	
15	51M7043	O-RING	1		X	
16	51M7047	O-RING	1		X	
17	38H5140	TEE FITTING	1		X	
18	51M7041	O-RING	1		X	
19	38H5002	ADAPTER	1		X	
20	T77613	O-RING	1		X	
21	51M7043	O-RING	1		X	
22	38H5010	ADAPTER	1	-009999	X	
	38H5003	ADAPTER	1	010000-	X	
23	T77932	O-RING	2		X	

4F13

POWER SHIFT TRANSMISSION

MANIFOLD COVER (TSN 8100,8200,8300,8400 -019999)
COUVRE-COLLECTEUR (TSN 8100,8200,8300,8400 -019999)
KRUEMMERDECKEL (TSN 8100,8200,8300,8400 -019999)
COPERCHIO DEL COLLETTORE (TSN 8100,8200,8300,8400 -019999)
CUBIERTA DEL MULTIPLE (TSN 8100,8200,8300,8400 -019999)
GRENROERSKAAPA (TSN 8100,8200,8300,8400 -019999)
RXP021380 -UN-03JUN96



RXP021380

4F14

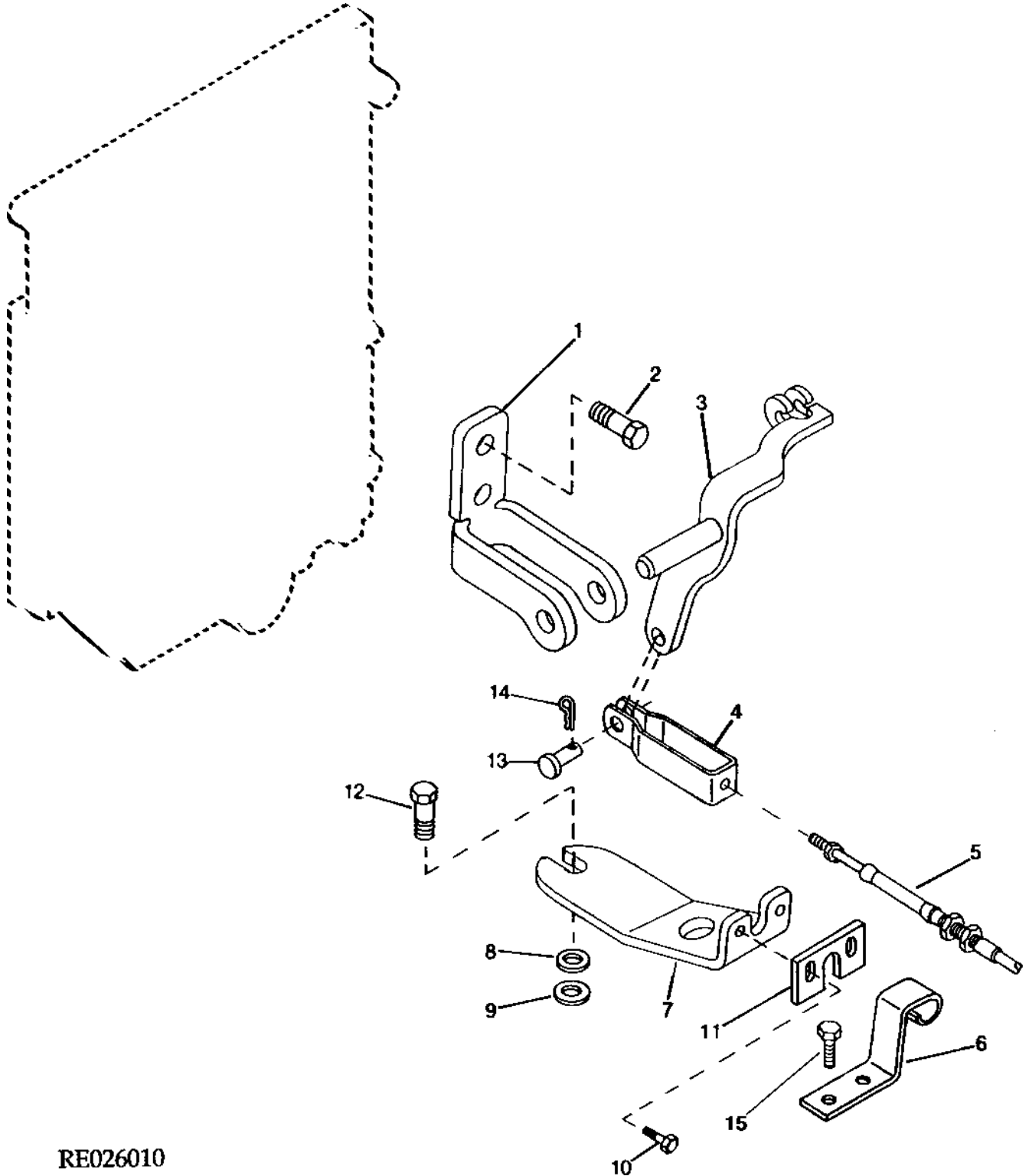
POWER SHIFT TRANSMISSION

KEY	PART NO.	PART NAME	QTY	TRANSMISSION SERIAL NO.	A L L	REMARKS
1	R108547	BEARING CUP	1		X	
2	R108576	SLEEVE	1		X	
3	R153676	SCREW	11		X	HS 10.9
4	19M7807	SCREW	2		X	M10 X 60
5	R125971	GASKET	1		X	(SUB FOR R124816)
6	R108468	END PLATE	1		X	(SUB FOR R127197)
7	R125972	GASKET	1		X	(SUB FOR R124857)
8	R108466	MANIFOLD	1	-008116	X	(MARKED R108466) (SUB FOR RE63236 OR RE63455) (SUB RE70834) (ALSO ORDER (3) RE63751)
	RE70834	KIT	1	008117-	X	(MARKED R128681) (SUB FOR RE64309)
9	R125379	CAP SCREW	4		X	HS 10.9
10	19M8737	SCREW	5		X	M12 X 140, HS 10.9
11	R105833	DISK SPRING	2		X	
12	T26565	DOWEL PIN	2		X	
13	19M7817	SCREW	12		X	M12 X 70
14	19M7820	SCREW	3		X	M12 X 100

4F15

POWER SHIFT TRANSMISSION

TOW DISCONNECT (EUROPEAN VERSION) (TSN 8100,8200,8300,8400 -019999)
REMORQUE, DISPOSITIF DE DESACCOUPLMENT (TSN 8100,8200,8300,8400 -019999)
ABSCHLEPP-AUSRUECKUNG (TSN 8100,8200,8300,8400 -019999)
DISINSERIMENTO DEL TRAINO (TSN 8100,8200,8300,8400 -019999)
DESCONEXION PARA REMOLCAR (TSN 8100,8200,8300,8400 -019999)
BOGSEKOPPLING (TSN 8100,8200,8300,8400 -019999)
RE026010 -UN-23MAR95



RE026010

4F16

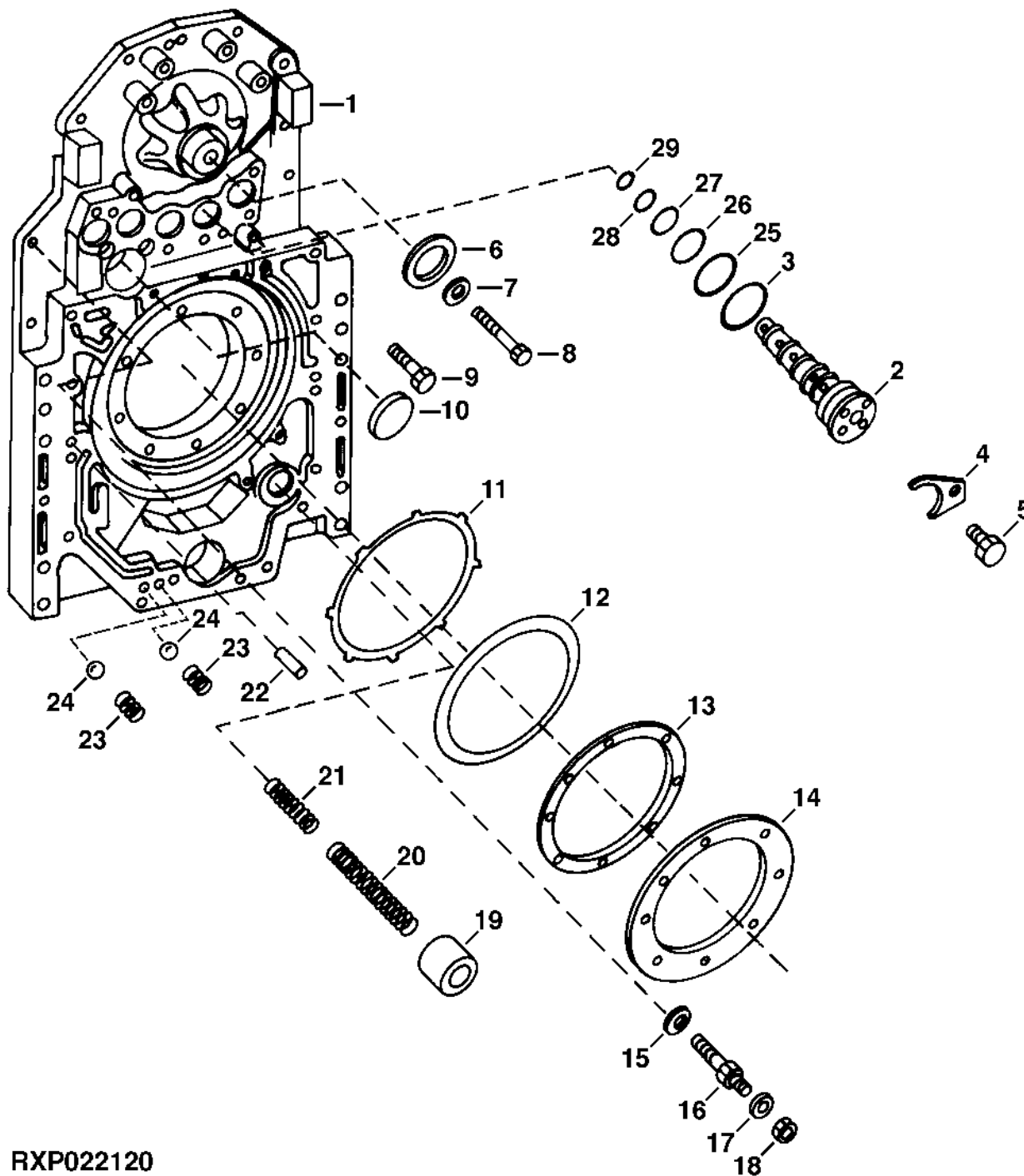
POWER SHIFT TRANSMISSION

KEY	PART NO.	PART NAME	QTY	TRANSMISSION SERIAL NO.	A	REMARKS
					L	
1	R124004	BRACKET	1		X	
2	19M7932	CAP SCREW	2		X	M8 X 16
3	RE60320	LEVER	1		X	
4	RE60897	RETAINER	1		X	
5	RE61051	CABLE	1		X	
	T13814	CLAMP	1		X	
6	R119604	BRACKET	1		X	
7	R124005	BRACKET	1		X	
8	24M7346	WASHER	AR		X	11 X 20 X 2 MM
9	24M7028	WASHER	AR		X	10.500 X 20 X 2 MM
10	37M7079	SCREW	2		X	
11	R125144	CLIP	1		X	
12	19M7402	CAP SCREW	1		X	M10 X 25
13	J19366	PIN	1		X	
14	A5067R	SPRING LOCKING PIN	1		X	
15	37M7165	SCREW	2		X	

4F17

POWER SHIFT TRANSMISSION

TRANSMISSION CASE REAR COVER (TSN 8100,8200,8300,8400 -019999)
COUVERCLE ARRIERE DE CARTER DE TRANSMISSION (TSN 8100,8200,8300,8400 -019999)
HINTERE ABDECKUNG DES GETRIEBEGEHAEUSES (TSN 8100,8200,8300,8400 -019999)
COPERCHIO POSTERIORE DELLA SCATOLA DELLA TRASMISSIONE (TSN 8100,8200,8300,8400 -019999)
CUBIERTA POSTERIOR DE LA CAJA DE LA TRANSMISION (TSN 8100,8200,8300,8400 -019999)
TRANSMISSIONSKAAPANS BAKRE PLAAT (TSN 8100,8200,8300,8400 -019999)
RXP022120 -UN-02JUN97



RXP022120

4F18

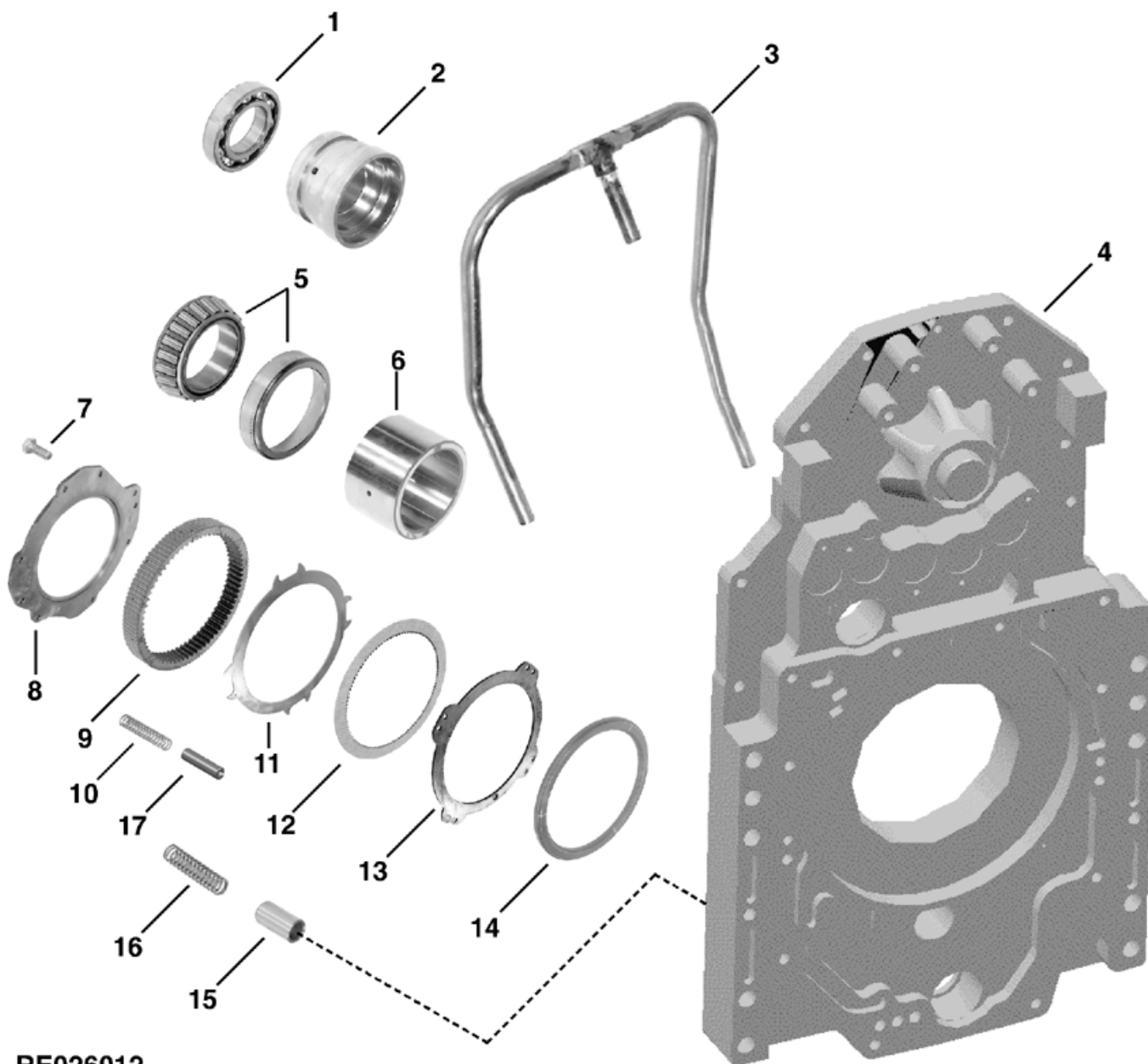
POWER SHIFT TRANSMISSION

KEY	PART NO.	PART NAME	QTY	TRANSMISSION SERIAL NO.	A L L	REMARKS
1	RE71368	COVER	1		X	(MARKED R108465 OR R135516) (SUB FOR RE63229)
2	RE71490	VALVE	5		X	(ALSO ORDER U11326, U41966, R106663, R62070, R27928 AND P42061)
	R150892	SCREEN	5		X	
3	U41966	O-RING	5		X	
4	R95045	CLAMP	5		X	
5	19M7932	CAP SCREW	5		X	M8 X 16
6	AH89023	SEAL	1		X	
7	24H1900	WASHER	1		X	17/32" X 2" X 1/4"
8	19M7791	SCREW	1		X	M12 X 40
9	19M7813	SCREW	3		X	M12 X 45
10	R26115	CAP	1		X	
11	R108481	PLATE	5		X	
12	RE45407	DISK, WITH INNER SPLINE	4		X	
13	RE45388	PISTON	1		X	
14	R108482	PLATE	1		X	
15	24M7028	WASHER	1		X	10.500 X 20 X 2 MM
16	R120578	STUD	1		X	
17	24M7240	WASHER	1		X	13 X 25 X 3 MM
18	14M7274	NUT	1		X	M10
19	R124175	PISTON	1		X	
20	R124173	SPRING	1		X	
21	R124174	COMPRESSION SPRING	1		X	
22	T26565	DOWEL PIN	2		X	
23	R128397	SPRING	2		X	
24	D2361R	BALL	2		X	
25	R106663	O-RING	5		X	
26	U11326	O-RING	5		X	
27	R62070	RING	5		X	
28	R27928	O-RING	5		X	
29	P42061	O-RING	5		X	
..	R49002	SHIM	AR		X	

4F19

POWER SHIFT TRANSMISSION

TRANSMISSION CASE REAR COVER (TSN 8100,8200,8300,8400 -019999)
COUVERCLE ARRIERE DE CARTER DE TRANSMISSION (TSN 8100,8200,8300,8400 -019999)
HINTERE ABDECKUNG DES GETRIEBEGEHAEUSES (TSN 8100,8200,8300,8400 -019999)
COPERCHIO POSTERIORE DELLA SCATOLA DELLA TRASMISSIONE (TSN 8100,8200,8300,8400 -019999)
CUBIERTA POSTERIOR DE LA CAJA DE LA TRANSMISION (TSN 8100,8200,8300,8400 -019999)
TRANSMISSIONSKAAPANS BAKRE PLAAT (TSN 8100,8200,8300,8400 -019999)
RE026012 -UN-13MAR95



RE026012

4F20

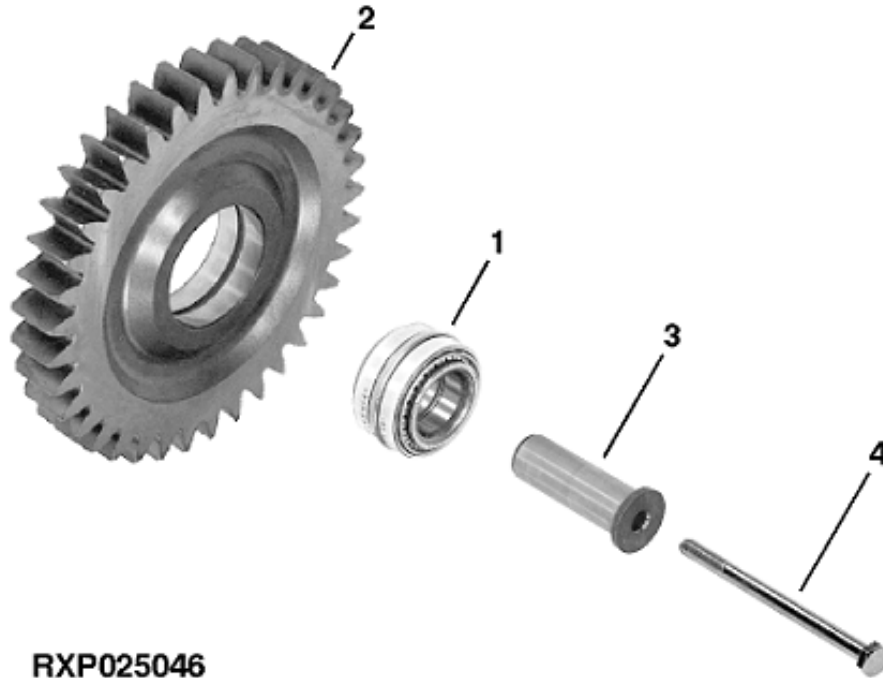
POWER SHIFT TRANSMISSION

KEY	PART NO.	PART NAME	QTY	TRANSMISSION SERIAL NO.	A	REMARKS
					L	
1	RE67948	BEARING	1		X	
2	R108582	SLEEVE	1		X	
3	RE45368	OIL LINE	1		X	
4	RE71368	COVER	1		X	(MARKED R108465 OR R135516) (SUB FOR RE63229)
	15H561	PIPE PLUG	3		X	1/2"
5	RE45399	ROLLER BEARING	1		X	
6	R108583	SLEEVE	1		X	
7	R124725	SELF-LOCKING SCREW	8		X	M10 X 1.5, HS 10.9
8	R108472	PLATE	1		X	
9	R108474	GEAR	1		X	
10	R122236	SPRING	7		X	RETURN
11	R86308	PLATE	3		X	
12	RE45415	DISK, WITH INNER SPLINE	4		X	
13	R135537	BRAKE DISK	1		X	
14	RE45388	PISTON	1		X	W/SEAL
15	R120147	VALVE	1		X	
16	R121741	SPRING	1		X	
17	34M7124	SPRING PIN	7		X	

4F21

POWER SHIFT TRANSMISSION

REVERSE IDLER (TSN 8100,8200,8300,8400 -019999)
 PIGNON FOU DE MARCHE ARRIERE (TSN 8100,8200,8300,8400 -019999)
 ZWISCHENRAD DES RUECKWAERTSGANGES (TSN 8100,8200,8300,8400 -019999)
 INGRANAGGIO INTERMEDIO DI RETROMARCIA (TSN 8100,8200,8300,8400 -019999)
 ENGRANAJE INTERMEDIO DE RETROCESO (TSN 8100,8200,8300,8400 -019999)
 BACKDREV (TSN 8100,8200,8300,8400 -019999)
 RXP025046 -UN-01JAN94



RXP025046

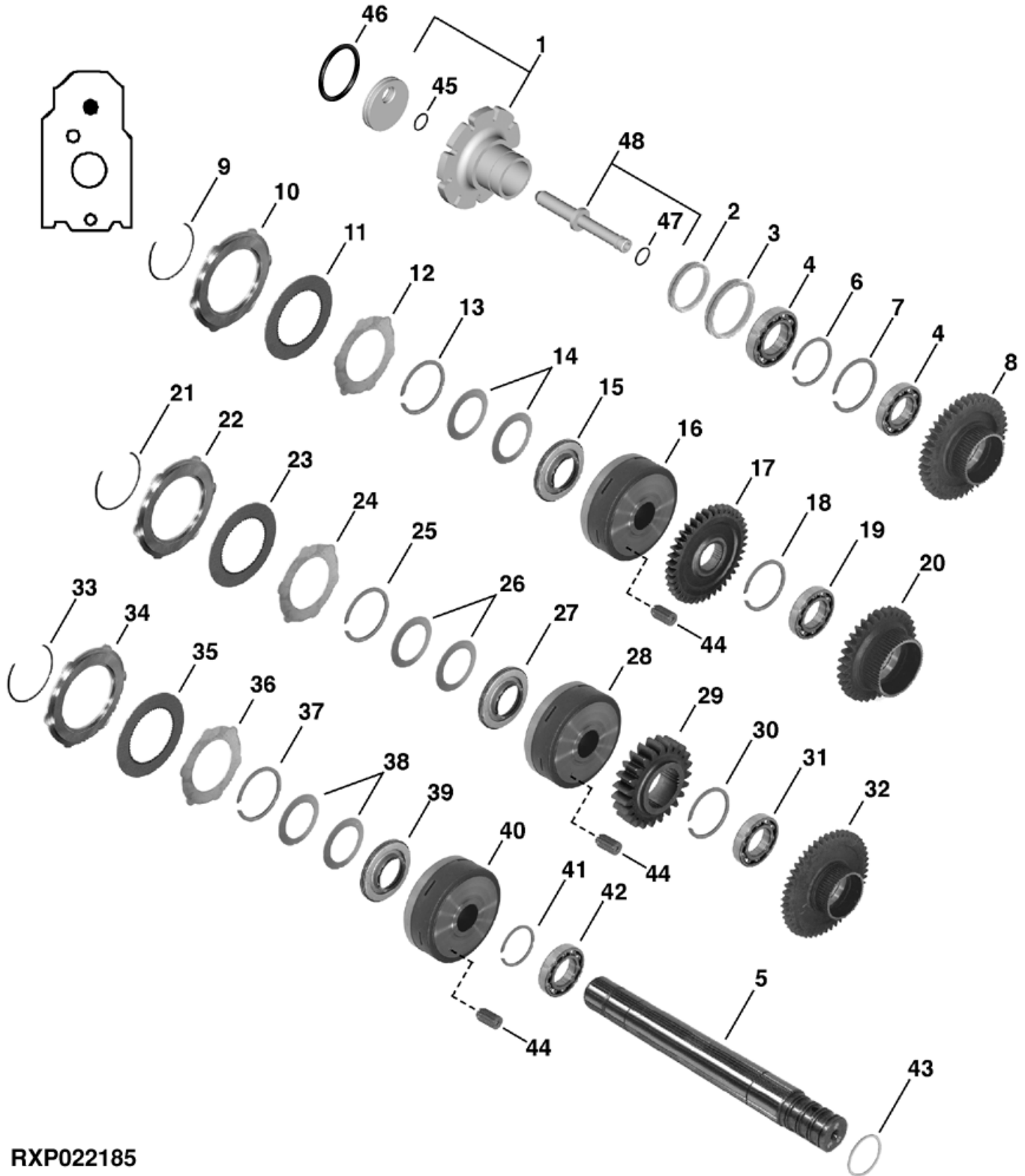
KEY	PART NO.	PART NAME	QTY	TRANSMISSION SERIAL NO.	A		REMARKS
					L	L	
1	AH94661	BEARING	1		X		
2	R108454	GEAR	1		X		
3	R108455	SHAFT	1		X		
4	19M7838	SCREW	1		X		M12 X 130

MEMORANDA
MEMORANDA
MEMORANDA
MEMORANDA
MEMORANDA

4F22

POWER SHIFT TRANSMISSION

INPUT SHAFT (TSN 8100,8200,8300,8400 -019999)
ARBRE PRIMAIRE (TSN 8100,8200,8300,8400 -019999)
EINGANGSWELLE (TSN 8100,8200,8300,8400 -019999)
ALBERO DI INGRESSO (TSN 8100,8200,8300,8400 -019999)
EJE DE ENTRADA (TSN 8100,8200,8300,8400 -019999)
INGAAENDE AXEL (TSN 8100,8200,8300,8400 -019999)
RXP022185 -UN-21AUG97



RXP022185

4F23

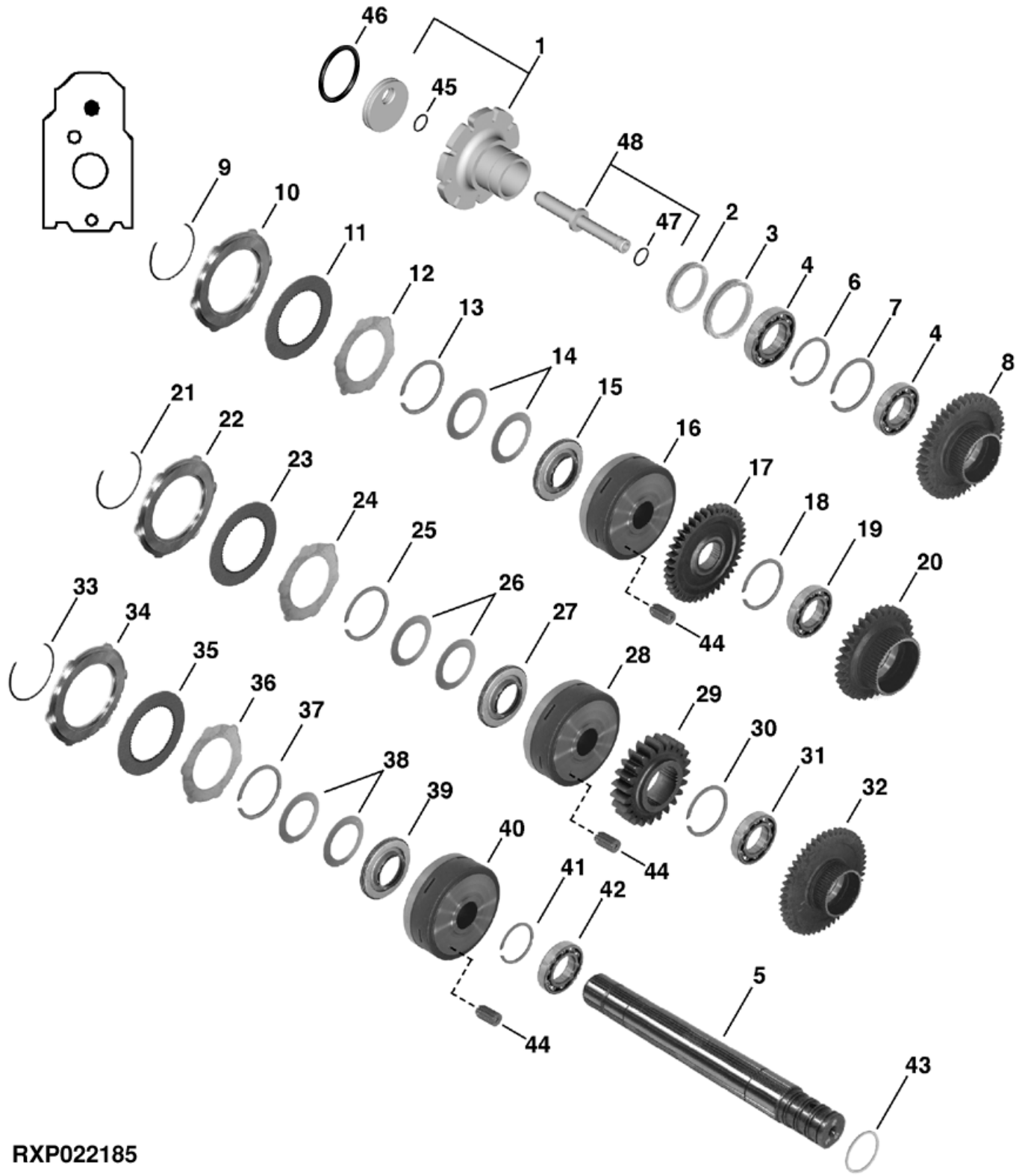
POWER SHIFT TRANSMISSION

KEY	PART NO.	PART NAME	QTY	TRANSMISSION SERIAL NO.	A	REMARKS
					L	
1	RE70976	HUB	1		X	(SUB FOR RE57402 OR RE67440)
2	R130561	V-RING SEAL	1		X	(SUB FOR R89581, THIS APPLICATION)
3	RE158066	SEAL	1		X	(SUB FOR RE13181, THIS APPLICATION)
4	RE67948	BEARING	1		X	
5	RE67483	SHAFT	1		X	(SUB FOR RE55580) (SUB RE70088, RE70206, RE71323 AND F3353R)
6	R115171	SNAP RING	2		X	
7	R108496	SNAP RING	1		X	
8	R132236	GEAR	1		X	(SUB FOR R108448)
9	R99692	SNAP RING	1		X	
10	R108530	CLUTCH PLATE	1		X	
11	RE67458	DISK, WITH INNER SPLINE	5		X	(SUB FOR AR94516, THIS APPLICATION)
12	R108507	CLUTCH PLATE	5		X	
13	R26246	SNAP RING	1		X	
14	R75176	DISK SPRING	7		X	
15	RE45374	PISTON	1		X	W/SEAL
16	RE45409	DRUM	1		X	
17	R108447	GEAR	1		X	
18	R108496	SNAP RING	1		X	
19	RE67948	BEARING	1		X	
20	R132245	GEAR	1		X	(SUB FOR R108451)
21	R99692	SNAP RING	1		X	
22	R108530	CLUTCH PLATE	1		X	
23	RE67458	DISK, WITH INNER SPLINE	5		X	(SUB FOR AR94516, THIS APPLICATION)
24	R108507	CLUTCH PLATE	5		X	

4F24

POWER SHIFT TRANSMISSION

INPUT SHAFT-CONTINUED (TSN 8100,8200,8300,8400 -019999)
ARBRE PRIMAIRE-A SUIVRE (TSN 8100,8200,8300,8400 -019999)
EINGANGSWELLE-FORTS. (TSN 8100,8200,8300,8400 -019999)
ALBERO DI INGRESSO-CONTINUA (TSN 8100,8200,8300,8400 -019999)
EJE DE ENTRADA-CONTINUACION (TSN 8100,8200,8300,8400 -019999)
INGAAENDE AXEL-FORTS. (TSN 8100,8200,8300,8400 -019999)
RXP022185 -UN-21AUG97



RXP022185

4F25

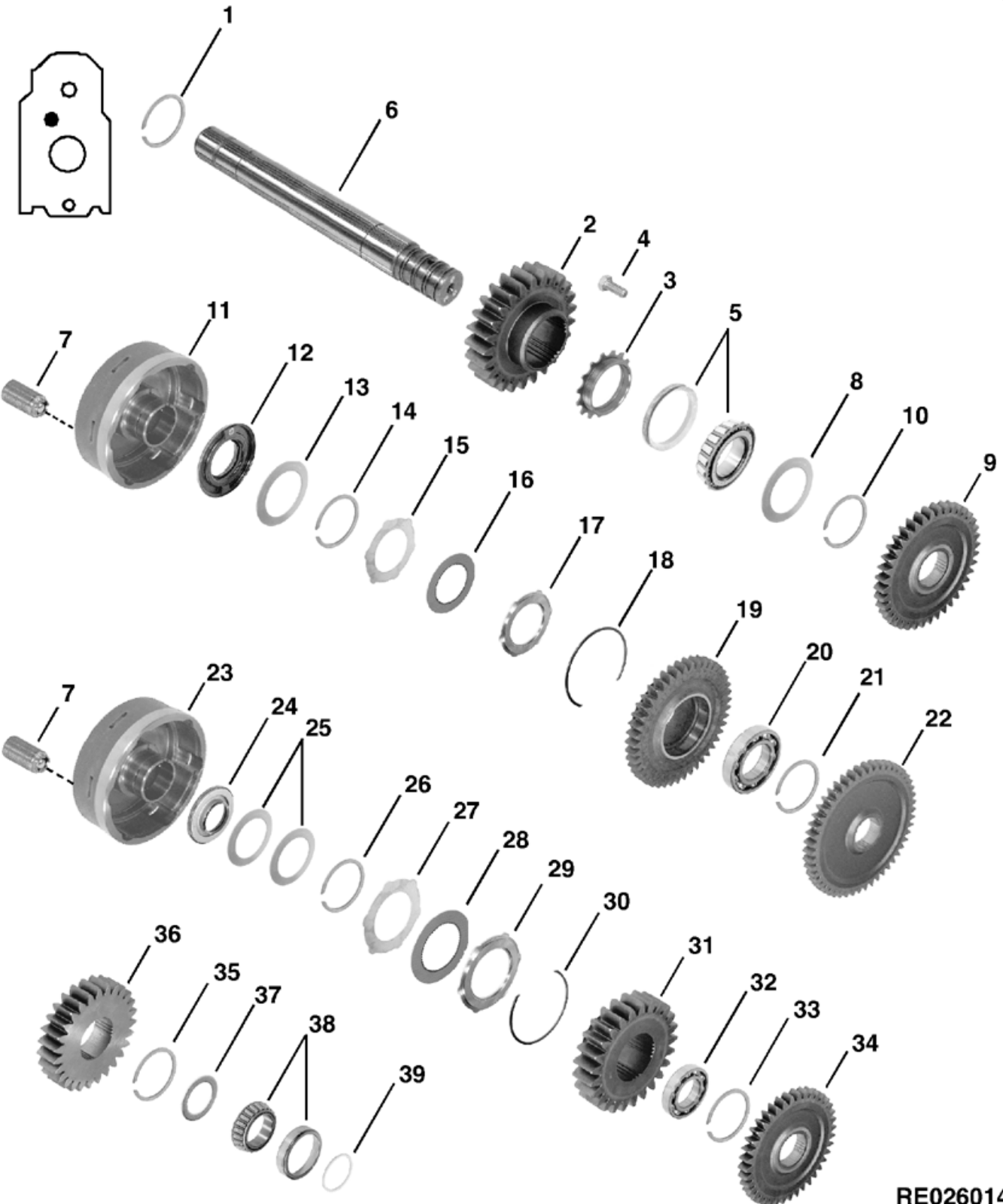
POWER SHIFT TRANSMISSION

KEY	PART NO.	PART NAME	QTY	TRANSMISSION SERIAL NO.	A	REMARKS
					L	
25	R26246	SNAP RING	1		X	
26	R75176	DISK SPRING	7		X	
27	RE45374	PISTON	1		X	W/SEAL
28	RE45409	DRUM	1		X	
29	R108584	GEAR	1		X	
30	R108496	SNAP RING	1		X	
31	RE67948	BEARING	1		X	
32	R132247	GEAR	1		X	(SUB FOR R108461)
33	R99692	SNAP RING	1		X	
34	R108530	CLUTCH PLATE	1		X	
35	RE67458	DISK, WITH INNER SPLINE	5		X	(SUB FOR AR94516, THIS APPLICATION)
36	R108507	CLUTCH PLATE	5		X	
37	R26246	SNAP RING	1		X	
38	R75176	DISK SPRING	7		X	
39	RE45374	PISTON	1		X	W/SEAL
40	RE45409	DRUM	7		X	
41	R115171	SNAP RING	1		X	
42	RE67948	BEARING	1		X	
43	R115508	RING	5		X	
44	RE45400	VALVE SEAT	1		X	
45	F3353R	O-RING	1		X	
46	R132237	O-RING	1		X	
47	R132239	O-RING	1		X	
48	RE67505	BREATHER	1		X	(SUB RE71323)

4G1

POWER SHIFT TRANSMISSION

COUNTERSHAFT (TSN 8100,8200,8300,8400 -019999)
ARBRE DE'ENVOI (TSN 8100,8200,8300,8400 -019999)
GEGENWELLE (TSN 8100,8200,8300,8400 -019999)
CONTRALBERO (TSN 8100,8200,8300,8400 -019999)
CONTRAEJE (TSN 8100,8200,8300,8400 -019999)
MELLANAXEL (TSN 8100,8200,8300,8400 -019999)
RE026014 -UN-13MAR95



RE026014

4G2

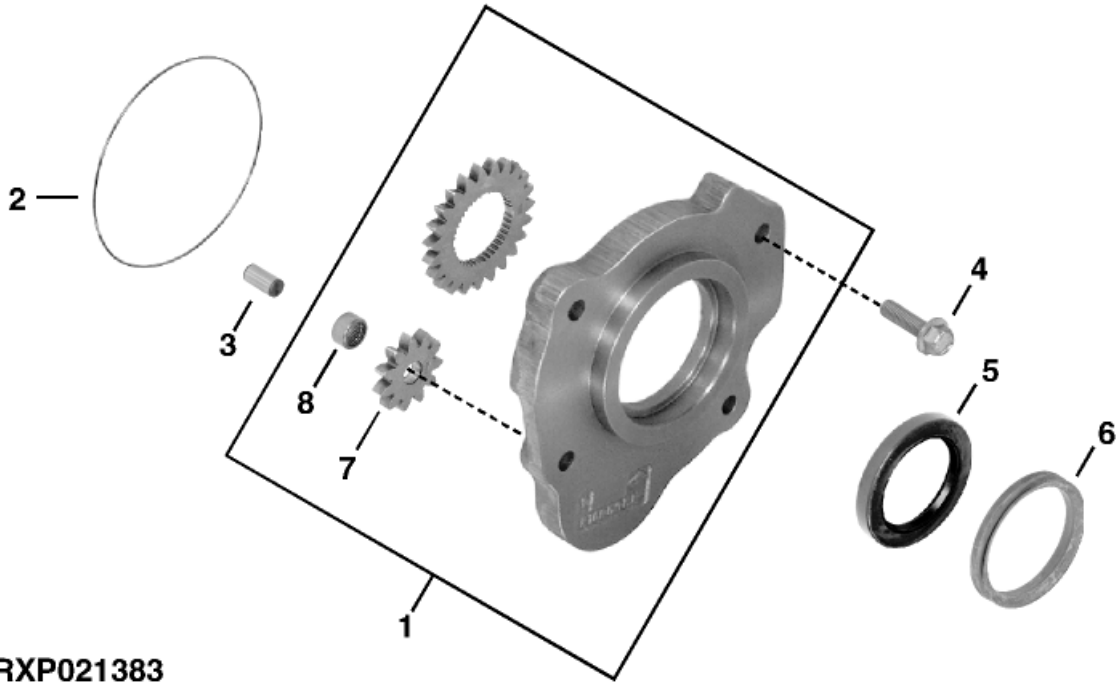
POWER SHIFT TRANSMISSION

KEY	PART NO.	PART NAME	QTY	TRANSMISSION SERIAL NO.	A	REMARKS
					L	
1	R115171	SNAP RING	1		X	
2	R108437	GEAR	1		X	
3	R125196	NUT	1		X	
4	R91842	SCREW	1		X	
5	RE45399	ROLLER BEARING	1		X	
6	RE55581	SHAFT	1		X	
7	RE45400	VALVE SEAT	1		X	
8	R108573	THRUST WASHER	1		X	
9	R108447	GEAR	1		X	
10	R115171	SNAP RING	1		X	
11	RE45409	DRUM	1		X	
12	RE45374	PISTON	1		X	W/SEAL
13	R75176	DISK SPRING	7		X	
14	R26246	SNAP RING	1		X	
15	R108507	CLUTCH PLATE	5		X	
16	RE67458	DISK, WITH INNER SPLINE	5		X	(SUB FOR AR94516, THIS APPLICATION)
17	R108530	CLUTCH PLATE	1		X	
18	R99692	SNAP RING	1		X	
19	R132236	GEAR	1		X	(SUB FOR R108448)
20	RE67948	BEARING	1		X	
21	R108496	SNAP RING	1		X	
22	R127196	GEAR	1		X	D-RANGE, (SUB FOR R108450)
23	RE45409	DRUM	1		X	
24	RE45374	PISTON	1		X	W/SEAL
25	R75176	DISK SPRING	7		X	
26	R26246	SNAP RING	1		X	
27	R108507	CLUTCH PLATE	5		X	
28	RE67458	DISK, WITH INNER SPLINE	5		X	(SUB FOR AR94516, THIS APPLICATION)
29	R108530	CLUTCH PLATE	1		X	
30	R99692	SNAP RING	1		X	
31	R132246	GEAR	1		X	(SUB FOR R108453)
32	RE67948	BEARING	1		X	
33	R108496	SNAP RING	1		X	
34	R108460	GEAR	1		X	
35	R115171	SNAP RING	1		X	
36	R108459	GEAR	1		X	
37	R108573	THRUST WASHER	1		X	
38	RE45399	ROLLER BEARING	1		X	
39	R115508	RING	4		X	

4G3

POWER SHIFT TRANSMISSION

OIL PUMP (TSN 8100,8200,8300,8400 -019999)
 POMPE A HUILE (TSN 8100,8200,8300,8400 -019999)
 OELPUMPE (TSN 8100,8200,8300,8400 -019999)
 POMPA DELL'OLIO (TSN 8100,8200,8300,8400 -019999)
 BOMBA DE ACEITE (TSN 8100,8200,8300,8400 -019999)
 OLJEPUMP (TSN 8100,8200,8300,8400 -019999)
 RXP021383 -UN-21NOV95



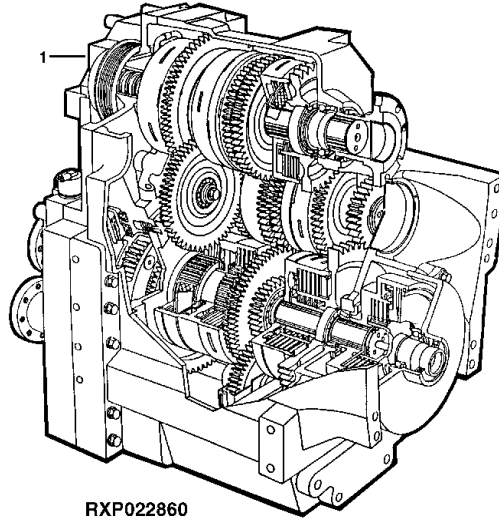
RXP021383

KEY	PART NO.	PART NAME	QTY	TRANSMISSION SERIAL NO.	REMARKS	
					A L	L L
1	RE63465	PUMP	1		X	(MARKED R108535 OR R134054)
2	R99039	O-RING	1		X	
3	R114219	SHAFT	1		X	
4	19M7835	SCREW	4		X	M10 X 35
5	RE32442	SEAL	1		X	
6	R119207	SEAL	1		X	
7	R108486	GEAR	1		X	
8	RE45406	NEEDLE BEARING	1		X	

4G4

POWER SHIFT TRANSMISSION

POWER SHIFT TRANSMISSION (REMANUFACTURED)(TSN -019999)
 BOITE DE VITESSES POWER SHIFT (ECHANGE STANDARD)(TSN -019999)
 POWER SHIFT GETRIEBE (GENERAUEBERHOLT)(TSN -019999)
 TRANSMISSIONE PRESA CAMBIO (RIGATTO)(TSN -019999)
 TRANSMISION POWER-SHIFT (REFABRICADO POR)(TSN -019999)
 POWER SHIFT VAEXELLAADA (RENOVERAD)(TSN -019999)
 RXP022860 -UN-14DEC98



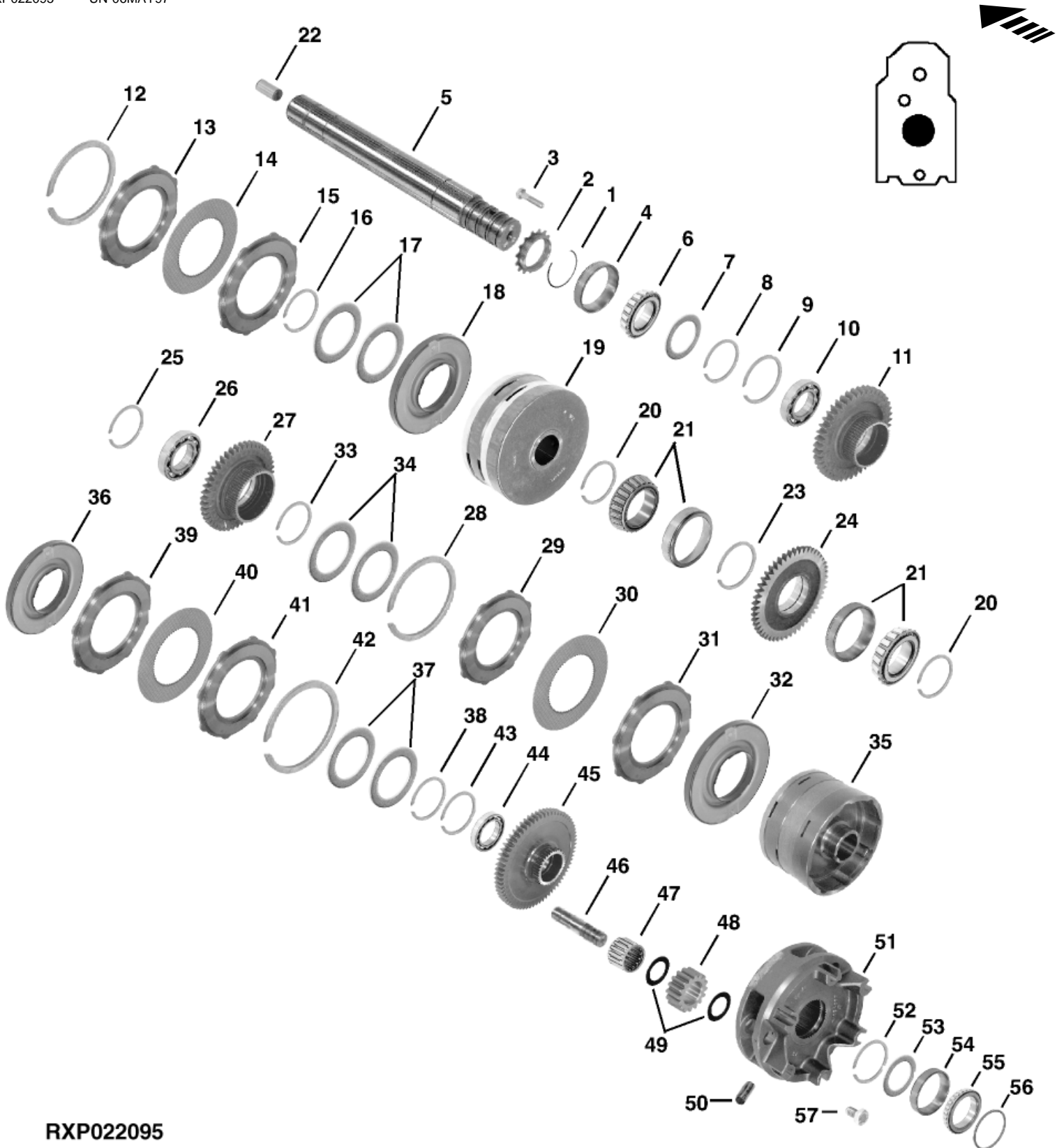
RXP022860

KEY	PART NO.	PART NAME	QTY	TRANSMISSION SERIAL NO.	A	REMARKS
					L	
1	RE151986	TRANSMISSION	1		X	W/MFWD
	RE153022	TRANSMISSION	1		X	W/O MFWD

4G5

POWER SHIFT TRANSMISSION

TRANSMISSION OUTPUT SHAFT (TSN 8100,8200,8300,8400 -019999)
ARBRE DE SORTIE DE TRANSMISSION (TSN 8100,8200,8300,8400 -019999)
GETRIEBEABTRIEBSWELLE (TSN 8100,8200,8300,8400 -019999)
ALBERO DI USCITA DELLA TRASMISSIONE (TSN 8100,8200,8300,8400 -019999)
EJE DE SALIDA DE LA TRANSMISION (TSN 8100,8200,8300,8400 -019999)
TRANSMISSIONENS UTGAAENDE AXEL (TSN 8100,8200,8300,8400 -019999)
RXP022095 -UN-06MAY97



RXP022095

4G6

POWER SHIFT TRANSMISSION

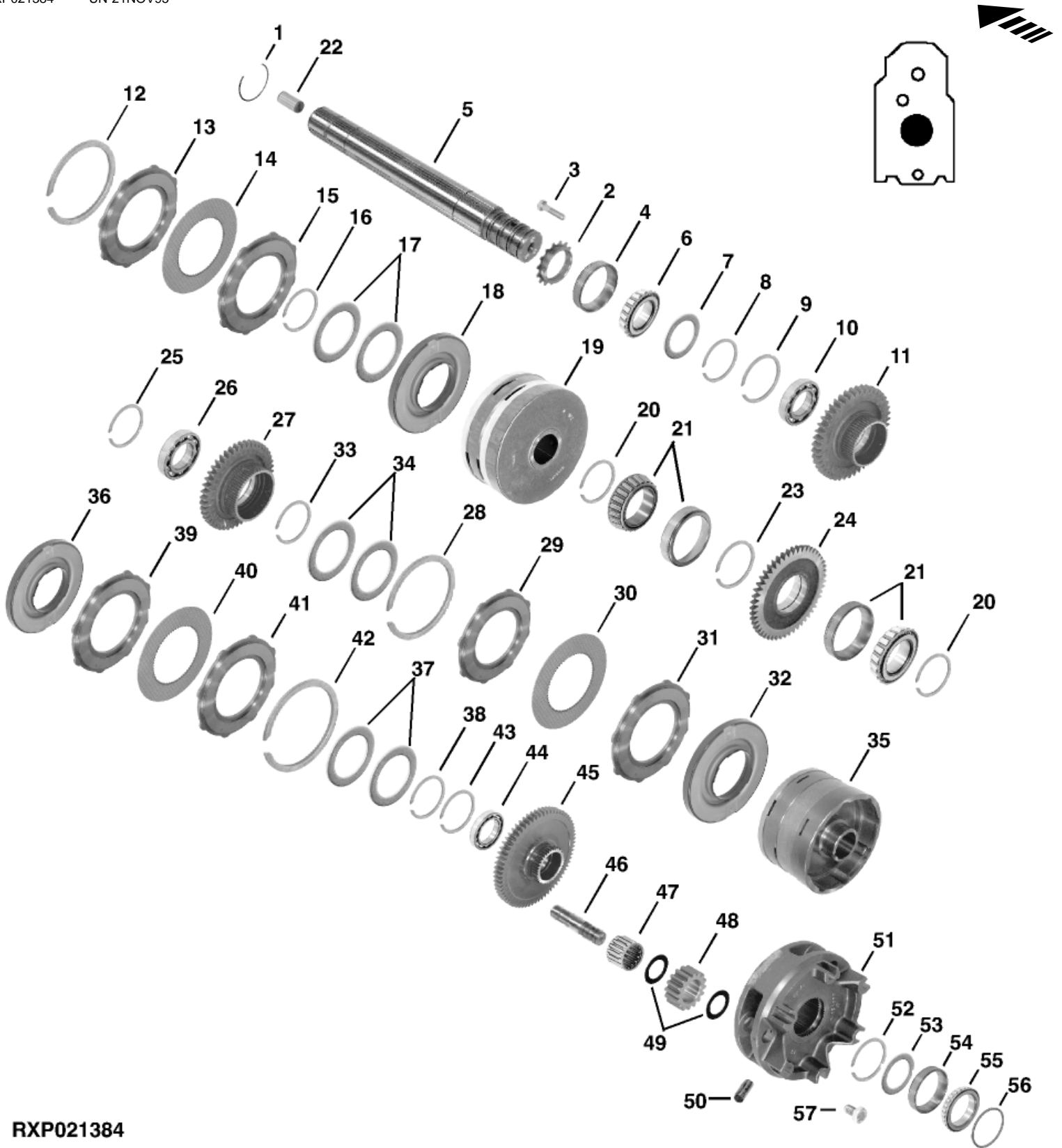
KEY	PART NO.	PART NAME	QTY	TRANSMISSION SERIAL NO.	A	REMARKS
					L	
1	R114345	SNAP RING	1		X	
2	R128775	NUT	1		X	(SUB FOR R108514)
3	R91842	SCREW	1		X	
4	R108547	BEARING CUP	1		X	
5	RE150781	KIT	1		X	
	RE150608	VALVE	3		X	
6	R108546	BEARING CONE	1		X	
7	R115331	THRUST WASHER	1		X	
8	R114345	SNAP RING	1		X	
9	R108496	SNAP RING	1		X	
10	RE67949	BALL BEARING	1		X	(SUB FOR RE45397)
11	R132250	GEAR	1		X	(SUB FOR R108438)
12	R108512	SNAP RING	1		X	
13	R108511	CLUTCH PLATE	1		X	
14	RE67457	CLUTCH DISK	7		X	(SUB FOR RE45370)
15	R108509	CLUTCH PLATE	7		X	
16	R124952	SNAP RING	3		X	
17	R120946	DISK SPRING	9		X	
18	RE62358	PISTON	1		X	W/SEAL
19	R108446	DRUM	1		X	
20	R114345	SNAP RING	2		X	
21	R108546	BEARING CONE	2		X	
	R108547	BEARING CUP	2		X	
22	N137598	SPRING PIN	1		X	
23	R108528	SNAP RING	1		X	
24	R108449	GEAR	1		X	
25	R108496	SNAP RING	1		X	
26	RE67949	BALL BEARING	1		X	(SUB FOR RE45397)
27	R132249	GEAR	1		X	(SUB FOR R108456)
28	R108512	SNAP RING	1		X	
29	R108511	CLUTCH PLATE	1		X	
30	RE67457	CLUTCH DISK	3		X	(SUB FOR RE45370)
31	R108509	CLUTCH PLATE	3		X	

THIS PARTS LISTING IS CONTINUED

4G7

POWER SHIFT TRANSMISSION

TRANSMISSION OUTPUT SHAFT-CONTINUED (TSN 8100,8200,8300,8400 -019999)
ARBRE DE SORTIE DE TRANSMISSION- A SUIVRE (TSN 8100,8200,8300,8400 -019999)
GETRIEBEABTRIEBSWELLE-FORTE. (TSN 8100,8200,8300,8400 -019999)
ALBERO DI USCITA DELLA TRASMISSIONE-CONTINUA (TSN 8100,8200,8300,8400 -019999)
EJE DE SALIDA DE LA TRANSMISION-CONTINACION (TSN 8100,8200,8300,8400 -019999)
TRANSMISSIONENS UTGAAENDE AXEL-FORTE. (TSN 8100,8200,8300,8400 -019999)
RXP021384 -UN-21NOV95



RXP021384

4G8

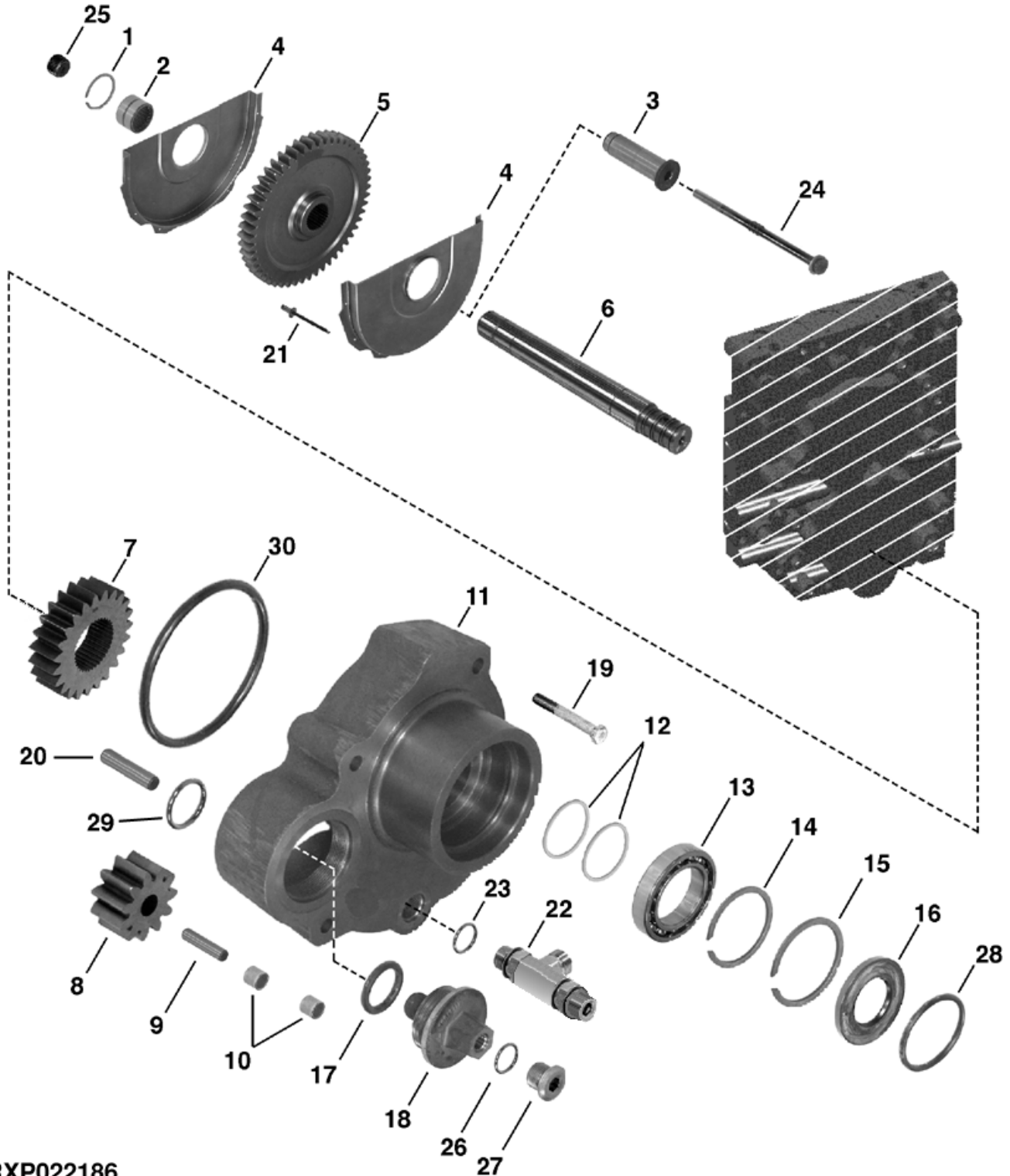
POWER SHIFT TRANSMISSION

KEY	PART NO.	PART NAME	QTY	TRANSMISSION SERIAL NO.	A	REMARKS
					L	
32	RE69329	PISTON	1		X	W/SEAL (RED OR 2 GROOVES)
33	R124952	SNAP RING	1		X	
34	R120946	DISK SPRING	5		X	
35	R108457	DRUM	1		X	C & D-RANGE
36	RE62358	PISTON	1		X	W/SEAL
37	R120946	DISK SPRING	9		X	
38	R124952	SNAP RING	1		X	
39	R108510	CLUTCH PLATE	7		X	
40	RE67457	CLUTCH DISK	7		X	(SUB FOR RE45370)
41	R108511	CLUTCH PLATE	1		X	
42	R108512	SNAP RING	1		X	
43	R108496	SNAP RING	1		X	
44	RE67949	BALL BEARING	1		X	(SUB FOR RE45397)
45	R132248	GEAR	1		X	C-RANGE Z=67, (SUB FOR R108458)
46	R108478	PINION SHAFT	3		X	
47	RE45410	NEEDLE BEARING	3		X	
48	R108473	PLANET PINION	3		X	
49	R108534	THRUST WASHER	6		X	
50	R122374	PIN	3		X	
51	R108469	PLANET PINION CARRIER	1		X	
52	R114345	SNAP RING	1		X	
53	R115331	THRUST WASHER	1		X	
54	R108547	BEARING CUP	1		X	
55	R108546	BEARING CONE	1		X	
56	R115507	RING	6		X	
57	R122390	SELF-LOCKING SCREW	3		X	

4G9

POWER SHIFT TRANSMISSION

PTO SHAFT (TSN 8100,8200,8300,8400 -019999)
ARBRE DE PDF (TSN 8100,8200,8300,8400 -019999)
ZAPFWELLENSCHAFT (TSN 8100,8200,8300,8400 -019999)
ALBERO DELLA PTO (TSN 8100,8200,8300,8400 -019999)
EJE DE TDF (TSN 8100,8200,8300,8400 -019999)
KRAFTUTTAGSAXEL (TSN 8100,8200,8300,8400 -019999)
RXP022186 -UN-03SEP97



RXP022186

4G10

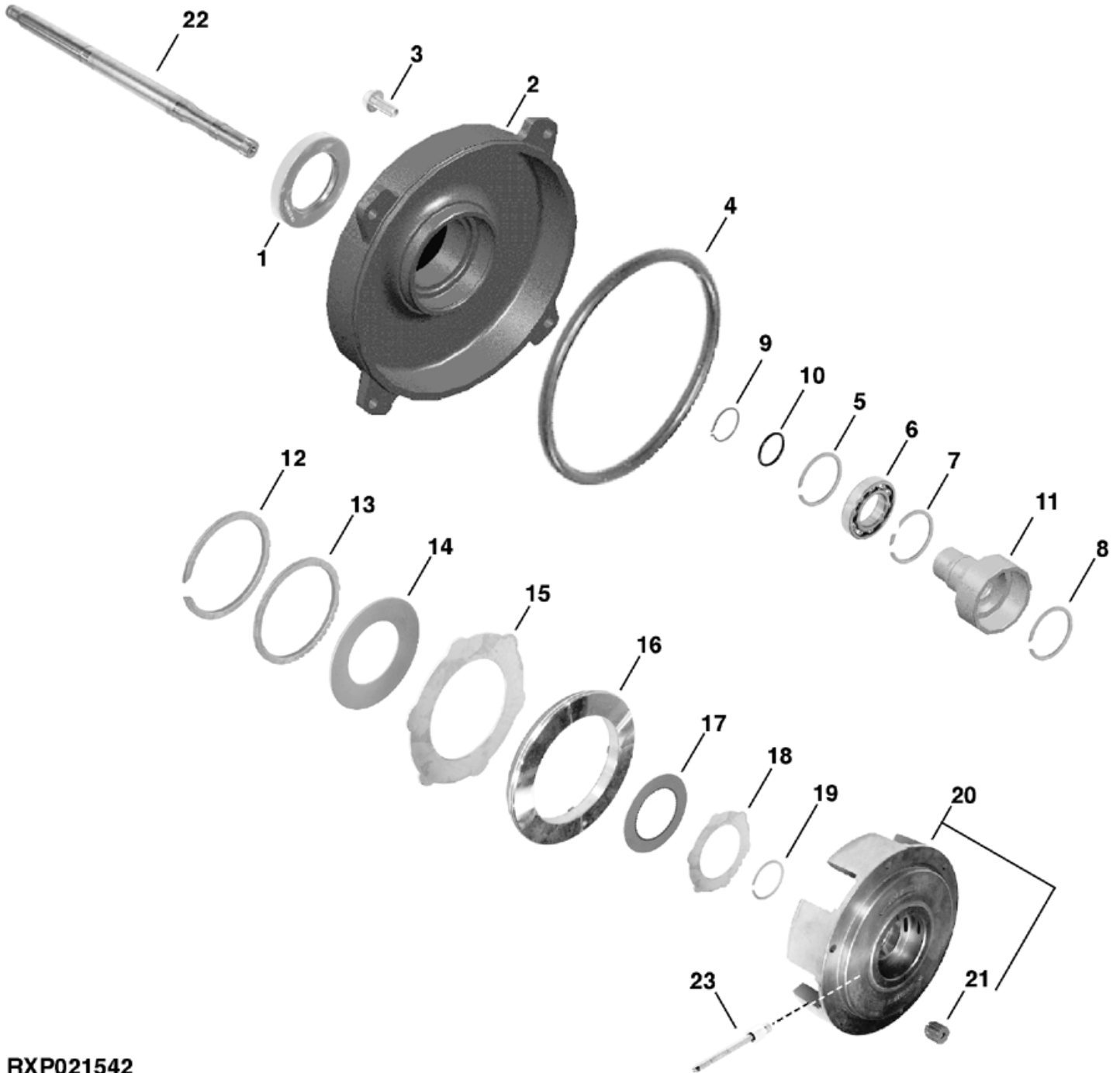
POWER SHIFT TRANSMISSION

KEY	PART NO.	PART NAME	QTY	TRANSMISSION SERIAL NO.	A	REMARKS
					L	
1	40M7201	SNAP RING	1		X	
2	RE57653	ROLLER BEARING	1		X	
3	R121603	SHAFT	1		X	
4	R108531	PTO POWR-GARD SHIELD	2		X	
5	R108471	GEAR	1		X	
6	R108508	SHAFT	1		X	
7	R108484	GEAR	1		X	
8	R108485	GEAR	1		X	
9	R115233	SHAFT	1		X	
10	JD10116	NEEDLE BEARING	2		X	
11	R108537	HOUSING	1		X	
12	R115508	RING	2		X	
13	JD8568	BALL BEARING	1		X	
14	R28640	SNAP RING	1		X	
15	40M7115	SNAP RING	1		X	
16	RE151144	SEAL	1		X	(SUB FOR RE64427 OR RE52341, THIS APPLICATION)
17	H63262	O-RING	1		X	
18	R114108	PLUG	1		X	
19	19M7809	SCREW	4		X	M10 X 70
20	R28671	DOWEL PIN	2		X	
21	H86981	RIVET	6		X	
22	38H5140	TEE FITTING	1		X	
23	51M7047	O-RING	1		X	
24	RE47959	BOLT	1		X	M12 X 1.75 HS 10.9
25	R125064	PIPE PLUG	1		X	
26	51M7042	O-RING	1		X	13.300 X 2.200 MM
27	RE52242	PLUG	1		X	
28	T121280	SEAL	1		X	
29	F3171R	O-RING	1		X	
30	N153493	O-RING	1		X	

4G11

POWER SHIFT TRANSMISSION

MFWD CLUTCH (TSN 8100,8200,8300,8400 -019999)
EMBAYAGE DE TAM (TSN 8100,8200,8300,8400 -019999)
MF-KUPPLUNG (TSN 8100,8200,8300,8400 -019999)
FRIZIONE DELLA MFWD (TSN 8100,8200,8300,8400 -019999)
EMBRAGUE DE TDM (TSN 8100,8200,8300,8400 -019999)
MFHD-KOPPLING (TSN 8100,8200,8300,8400 -019999)
RXP021542 -UN-20JUN96



RXP021542

4G12

POWER SHIFT TRANSMISSION

KEY	PART NO.	PART NAME	QTY	TRANSMISSION SERIAL NO.	A	REMARKS
					L	
1	AH89023	SEAL	1		X	
2	R108518	COVER	1	-015288	X	(A) (SUB R131811)
	R131811	COVER	1	015289-	X	(A)
	R108569	COVER	1		X	(B)
3	19M7789	SCREW	4		X	M12 X 30, HS 10.9
4	T39741	RING	1		X	
5	T44824	SNAP RING	1		X	
6	RE67948	BEARING	1		X	
7	R108496	SNAP RING	1		X	
8	L1610N	SNAP RING	1		X	
9	R124576	SNAP RING	1		X	
10	U10289	O-RING	1		X	
11	R108519	HUB	1		X	
12	R108526	SNAP RING	1		X	
13	R108533	RETAINER	1		X	
14	R108525	DISK SPRING	1		X	
15	R108521	PLATE	1		X	
16	RE155037	SEAL	1		X	(SUB FOR R108520)
17	RE67458	DISK, WITH INNER SPLINE	6		X	(SUB FOR AR94516, THIS APPLICATION)
18	R108507	CLUTCH PLATE	6		X	
19	R114345	SNAP RING	1		X	
20	RE69122	DRUM	1		X	(MARKED R108517)
21	RE45393	VALVE SEAT	1		X	
22	R108384	SHAFT	1	-XXXXXX	X	(A) (C) (SUB R130895, R130894 AND CH17453)
	R130895	SHAFT	1	XXXXXX-	X	(D)
23	AT107509	PLUG	1		X	

(A)MECHANICAL FRONT WHEEL DRIVE
 TRACTION AVANT MECANIQUE
 MECHANISCHER FRONTANTRIEB
 TRAZIONE ANTERIORE MECANNICA
 TRACCION DELANTERA
 MEKANISK FRAMHJULSDRIVNING

(B)W/O MECHANICAL FRONT WHEEL DRIVE
 W/O TRACTION AVANT MECANIQUE
 W/O MECHANISCHER FRONTANTRIEB
 W/O TRAZIONE ANTERIORE MECANNICA
 W/O TRACCION DELANTERA
 W/O MEKANISK FRAMHJULSDRIVNING

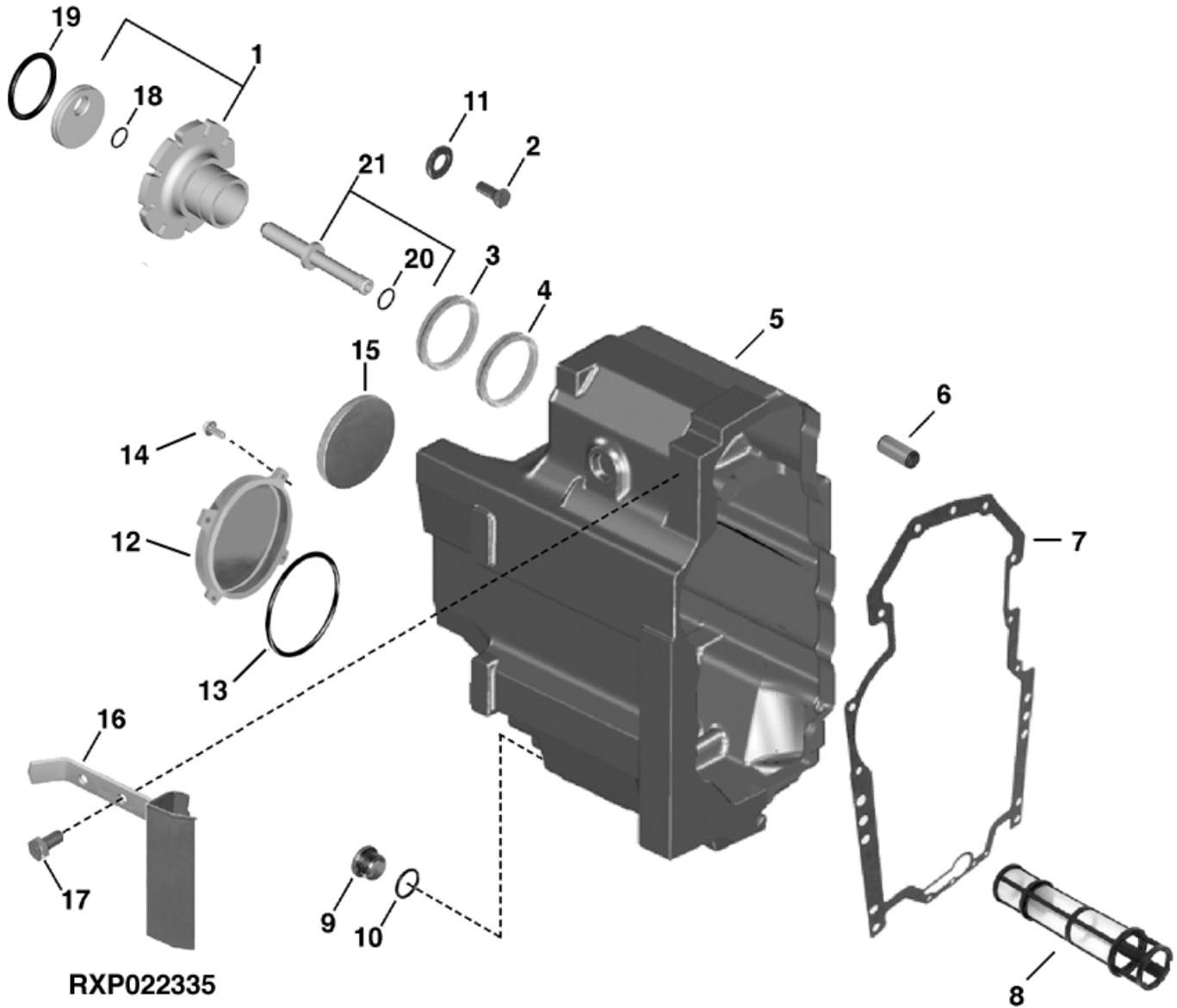
(C)(-XXXXXX) TSN 8100-004350; 8200-003234; 8300-005399; 8400-006270

(D)(XXXXXX-) TSN 8100-004351; 8200-003235; 8300-005400; 8400-006271

4G13

POWER SHIFT TRANSMISSION

TRANSMISSION CASE (TSN 8100,8200,8300,8400 -019999)
CARTER DE TRANSMISSION (TSN 8100,8200,8300,8400 -019999)
GETRIEBEGEHAEUSE (TSN 8100,8200,8300,8400 -019999)
SCATOLA DELLA TRASMISSIONE (TSN 8100,8200,8300,8400 -019999)
CAJA DE TRANSMISION (TSN 8100,8200,8300,8400 -019999)
TRANSMISSIONSKAAPA (TSN 8100,8200,8300,8400 -019999)
RXP022335 -UN-23OCT97



RXP022335

4G14

POWER SHIFT TRANSMISSION

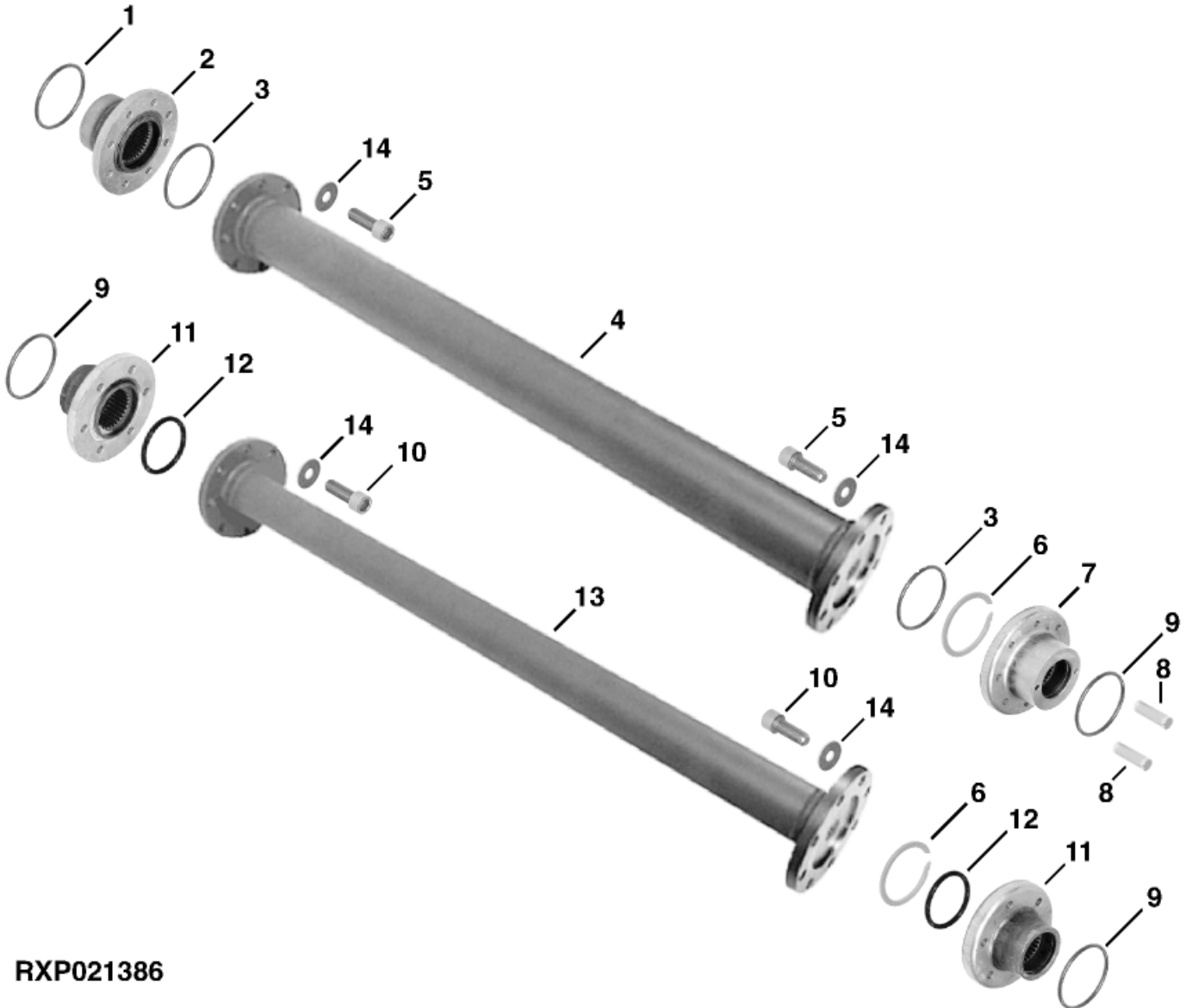
KEY	PART NO.	PART NAME	QTY	TRANSMISSION SERIAL NO.	A	REMARKS
					L	
1	RE70976	HUB	1		X	(SUB FOR RE57402 OR RE67440)
2	19M7789	SCREW	9		X	M12 X 30, HS 10.9
3	R130561	V-RING SEAL	1		X	(SUB FOR R89581, THIS APPLICATION)
4	RE158066	SEAL	1		X	(SUB FOR RE13181, THIS APPLICATION)
5	R136157	TRANSMISSION CASE	1		X	
6	R48685	DOWEL PIN	2		X	
7	R132860	GASKET	1		X	(SUB FOR R108480)
8	RE45369	SCREEN	1		X	
9	R98012	PLUG	1		X	
10	P47889	O-RING	1		X	
11	24M7240	WASHER	9		X	
12	R108569	COVER	1		X	(A)
13	T39741	RING	1		X	
14	19M7789	SCREW	4		X	M12 X 30, HS 10.9
15	R108503	PLUG	1		X	
16	R120133	SUPPORT	2	-XXXXXX	X	
	R120133	SUPPORT	1	XXXXXX-	X	RH
	RE62562	BRACKET	1	XXXXXX-	X	LH
17	19M7166	CAP SCREW	4		X	M10 X 20
18	F3353R	O-RING	1		X	
19	R132237	O-RING	1		X	
20	R132239	O-RING	1		X	
21	RE67505	BREATHER	1		X	

(A)W/O MECHANICAL FRONT WHEEL DRIVE
W/O TRACTION AVANT MECANIQUE
W/O MECHANISCHER FRONTANTRIEB
W/O TRAZIONE ANTERIORE MECANNICA
W/O TRACCION DELANTERA
W/O MEKANISK FRAMHJULSDRIVNING

4G15

POWER SHIFT TRANSMISSION

MID-FRAME SHAFTS
ABRES DE CHASSIS CENTRAL
MITTERLRAHMENWELLEN
ALBERI A META' TELAIO
EJES DEL BASTIDOR CENTRAL
MITTENRAMAXLAR
RXP021386 -UN-08DEC95



RXP021386

4G16

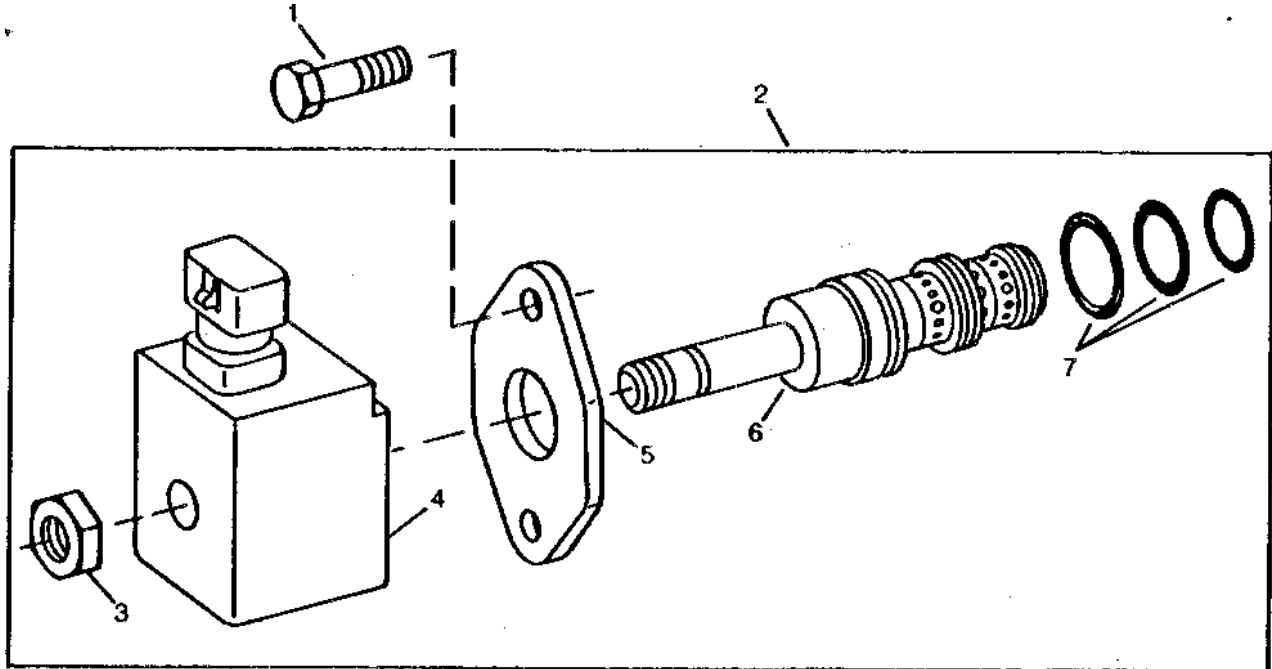
POWER SHIFT TRANSMISSION

KEY	PART NO.	PART NAME	QTY	TRACTOR SERIAL NO.	A	REMARKS
					L L	
1	R122886	O-RING	1		X	
2	R108555	COUPLING	1		X	
3	U44496	O-RING	2		X	
4	RE45391	DRIVE SHAFT	1		X	(TRANSMISSION OUTPUT)
5	19M8850	CAP SCREW	16		X	M10 X 30, HS 12.9
6	P46770	SNAP RING	2		X	
7	R108558	YOKE	1		X	
8	R116713	NEEDLE ROLLER	1		X	
9	P50631	O-RING	3		X	
10	19M8850	CAP SCREW	12		X	M10 X 30, HS 12.9
11	R108559	QUICK COUPLER	2		X	
12	R112857	O-RING	2		X	
13	RE45392	DRIVE SHAFT	1		X	(PTO)
14	24M7239	WASHER	12		X	10.700 X 21 X 2.500 MM

4G17

POWER SHIFT TRANSMISSION

SOLENOID VALVE
 ELECTROVANNE
 MAGNETVENTIL
 VALVOLA A SOLENOIDE
 VALVULA DE SOLENOIDE
 SOLENOIDVENTIL
 RXP020610 -UN-01JAN94



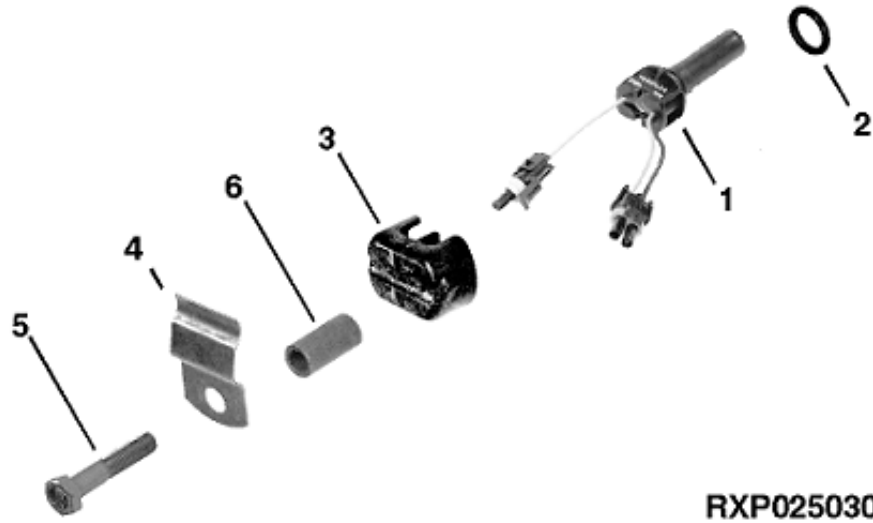
RXP020610

KEY	PART NO.	PART NAME	QTY	TRANSMISSION SERIAL NO.	A		REMARKS
					L	L	
1	19M7560	CAP SCREW	2		X		M6 X 16
2	RE52319	SOLENOID VALVE	1		X		
3	R109691	NUT	1		X		
4	RE50782	SOLENOID VALVE COIL	1		X		
5	R109690	CLAMP	1		X		
6	RE53089	VALVE	1		X		(SUB RE52319)
7	RE47392	O-RING KIT	1		X		

4G18

POWER SHIFT TRANSMISSION

MAGNETIC PICK-UP
 OUTIL AIMANTE A MANCE
 MAGNETISCHER MESSWERTGEBER
 CALAMITA RACCATTAPEZZI
 CAPTADOR MAGNETICO
 MAGNETISK GIVARE
 RXP025030 -UN-01JAN94

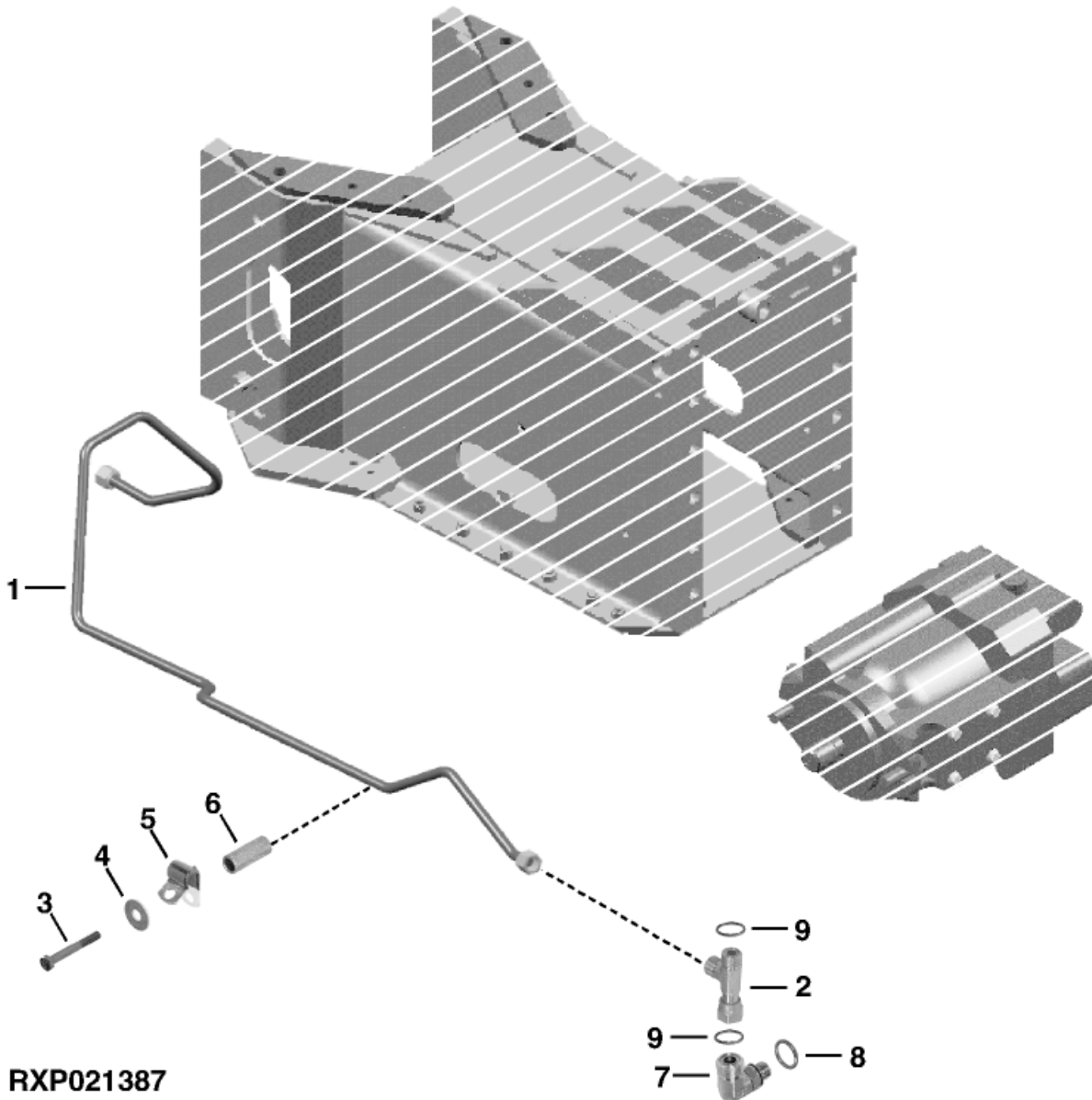


KEY	PART NO.	PART NAME	QTY	TRANSMISSION SERIAL NO.	A	REMARKS
					L	
1	RE56950	WHEEL SPEED SENSOR	1		X	
2	R375	O-RING	1		X	
3	R69185	CAP	1		X	
4	R66477	CLAMP	1		X	
5	R120256	CAP SCREW	1		X	10M X 1.5 HS 10.9
6	28H1527	SPACER	1		X	0.493" X 0.675" X 1-3/8"

4G19

POWER SHIFT TRANSMISSION

TRANSMISSION LINES
CONDUITES DE TRANSMISSION
GETRIEBE-LEITUNGEN
LINEE DELLA TRASMISSIONE
LINEAS DE TRANSMISION
TRANSMISSIONSLEDNINGAR
RXP021387 -UN-21NOV95



4G20

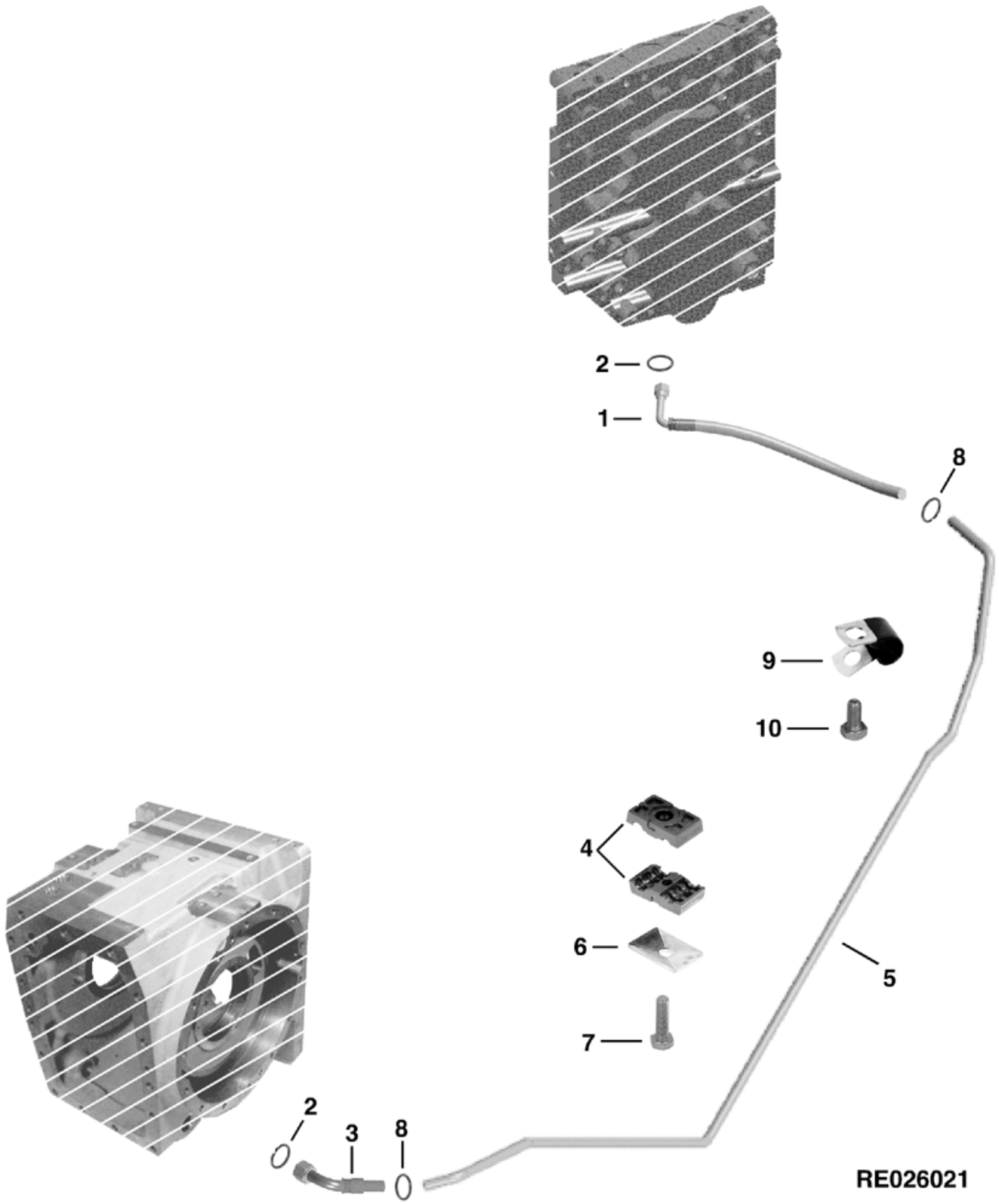
POWER SHIFT TRANSMISSION

KEY	PART NO.	PART NAME	QTY	TRACTOR SERIAL NO.	A L L	REMARKS
1	RE61136	OIL LINE	1		X	
2	38H5069	TEE FITTING	1		X	
3	19M7185	CAP SCREW	2		X	M8 X 60
4	24M7207	WASHER	2		X	8.400 X 24 X 2 MM
5	R73291	CLAMP	1		X	
6	28H1497	BUSHING	2		X	0.493" X 0.675" X 1-1/2"
7	38H5023	ELBOW FITTING	1		X	
8	51M7041	O-RING	1		X	
9	T77857	O-RING	3		X	

4G21

POWER SHIFT TRANSMISSION

TRANSMISSION LINES (TSN -009999)
CONDUITES DE TRANSMISSION (TSN -009999)
GETRIEBE-LEITUNGEN (TSN -009999)
LINEE DELLA TRASMISSIONE (TSN -009999)
LINEAS DE TRANSMISION (TSN -009999)
TRANSMISSIONSLEDNINGAR (TSN -009999)
RE026021 -UN-16MAR95



4G22

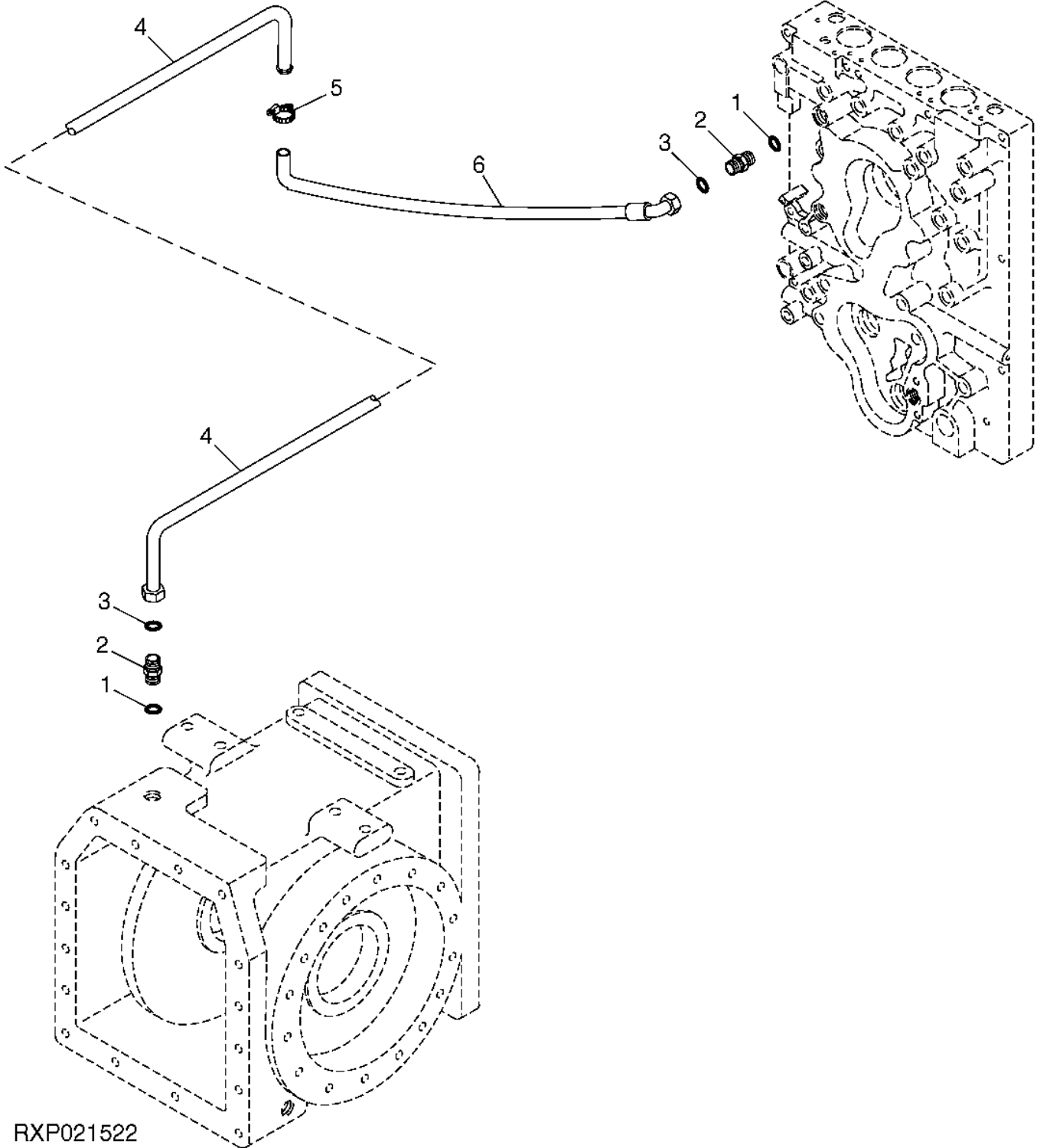
POWER SHIFT TRANSMISSION

KEY	PART NO.	PART NAME	QTY	TRACTOR SERIAL NO.	A L L	REMARKS
1	RE62341	HYDRAULIC HOSE - FABRICATE	1		X	(SUB FOR RE44757)
2	T77857	O-RING	2		X	
3	RE60686	HYDRAULIC HOSE - FABRICATE	1		X	
4	H108291	CLAMP	4		X	
5	RE44769	HYDRAULIC LINE	1		X	
6	H121168	PLATE	2		X	
7	37M7103	SCREW	2		X	
8	RE32361	CLAMP	2		X	(SUB TY22465)
9	H75541	CLAMP	2		X	
10	37M7058	SCREW	2		X	M8 X 20

4G23

POWER SHIFT TRANSMISSION

TRANSMISSION LINES (TSN 010000-))
CONDUITES DE TRANSMISSION (TSN 010000-))
GETRIEBE-LEITUNGEN (TSN 010000-))
LINEE DELLA TRASMISSIONE (TSN 010000-))
LINEAS DE TRANSMISION (TSN 010000-))
TRANSMISSIONSLEDNINGAR (TSN 010000-))
RXP021522 -UN-24MAY96



RXP021522

4G24

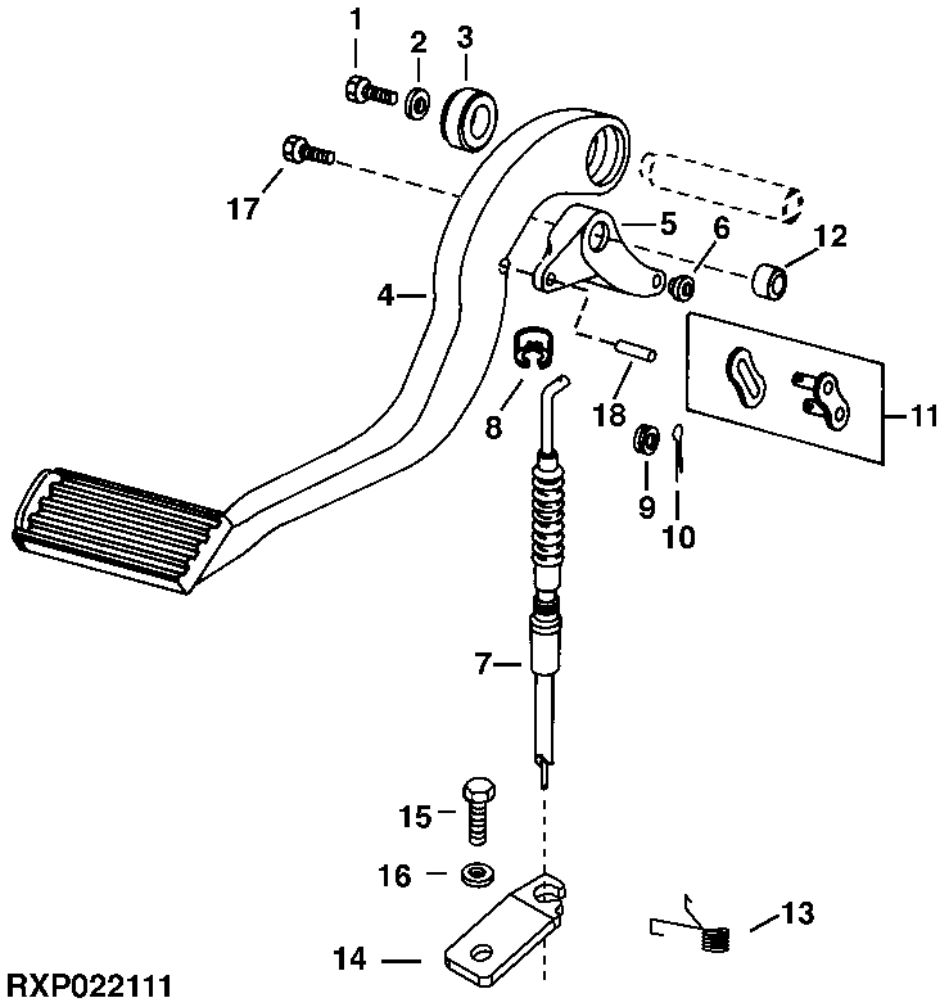
POWER SHIFT TRANSMISSION

KEY	PART NO.	PART NAME	QTY	TRACTOR SERIAL NO.	A L L	REMARKS
1	51M7043	O-RING	2		X	15.300 X 2.200 MM
2	38H5003	ADAPTER	2		X	
3	T77857	O-RING	2		X	
4	RE69071	HOSE	1		X	
5	TY22465	CLAMP	1		X	
6	RE66667	HOSE	1		X	

4H1

POWER SHIFT TRANSMISSION

CLUTCH PEDAL (TSN 8100,8200,8300,8400, 020000-))
PEDALE D'EMBAYAGE (TSN 8100,8200,8300,8400, 020000-))
KUPPLUNGSFUSSHEBEL (TSN 8100,8200,8300,8400, 020000-))
PEDALE FRIZIONE (TSN 8100,8200,8300,8400, 020000-))
PEDAL DEL EMBRAGUE (TSN 8100,8200,8300,8400, 020000-))
KOPPLINGSPEDAL (TSN 8100,8200,8300,8400, 020000-))
RXP022111 -UN-07JUN97



4H2

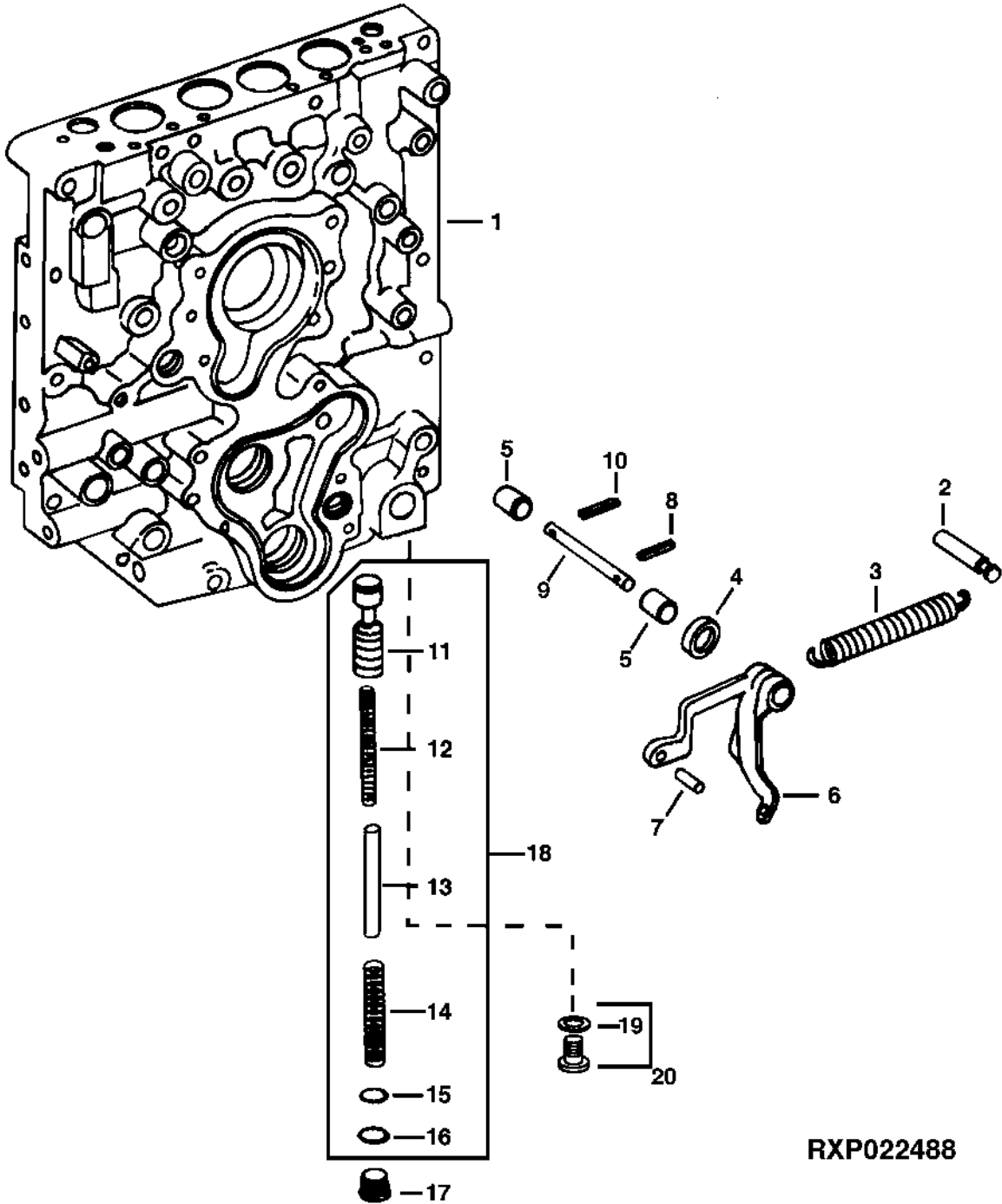
POWER SHIFT TRANSMISSION

KEY	PART NO.	PART NAME	QTY	TRANSMISSION SERIAL NO.	A	REMARKS
					L	
1	19M7932	CAP SCREW	1		X	M8 X 16
2	R56397	WASHER	1		X	
3	JD8535	BALL BEARING	1		X	
4	R127830	PEDAL	1		X	
5	R127831	ARM	1		X	
6	R78425	BUSHING	1		X	
7	RE60687	CABLE	1		X	
8	R108214	CLIP	1		X	UP
9	R113023	GROMMET	1		X	
10	11M7059	COTTER PIN	2		X	3.200 X 20 MM
11	J4216H	CHAIN LINK	1		X	
12	JD10181	BALL BEARING	2		X	
13	R121823	SPRING	1		X	LOW
14	R124428	BRACKET	1		X	
15	19M7938	CAP SCREW	1		X	M10 X 20
16	24M7346	WASHER	1		X	11 X 20 X 2 MM
17	19M8291	SCREW	1		X	M8 X 35
18	R127832	BUSHING	1		X	

4H3

POWER SHIFT TRANSMISSION

MANIFOLD (TSN 8100,8200,8300,8400 020000-)
COLLECTEUR (TSN 8100,8200,8300,8400, 020000-)
KUPPLUNGS (TSN 8100,8200,8300,8400, 020000-)
COLLETTORE (TSN 8100,8200,8300,8400, 020000-)
MULTIPLE (TSN 8100,8200,8300,8400, 020000-)
KOPPLINGSGRENDOER (TSN 8100,8200,8300,8400, 020000-)
RXP022488 -UN-23FEB98



RXP022488

4H4

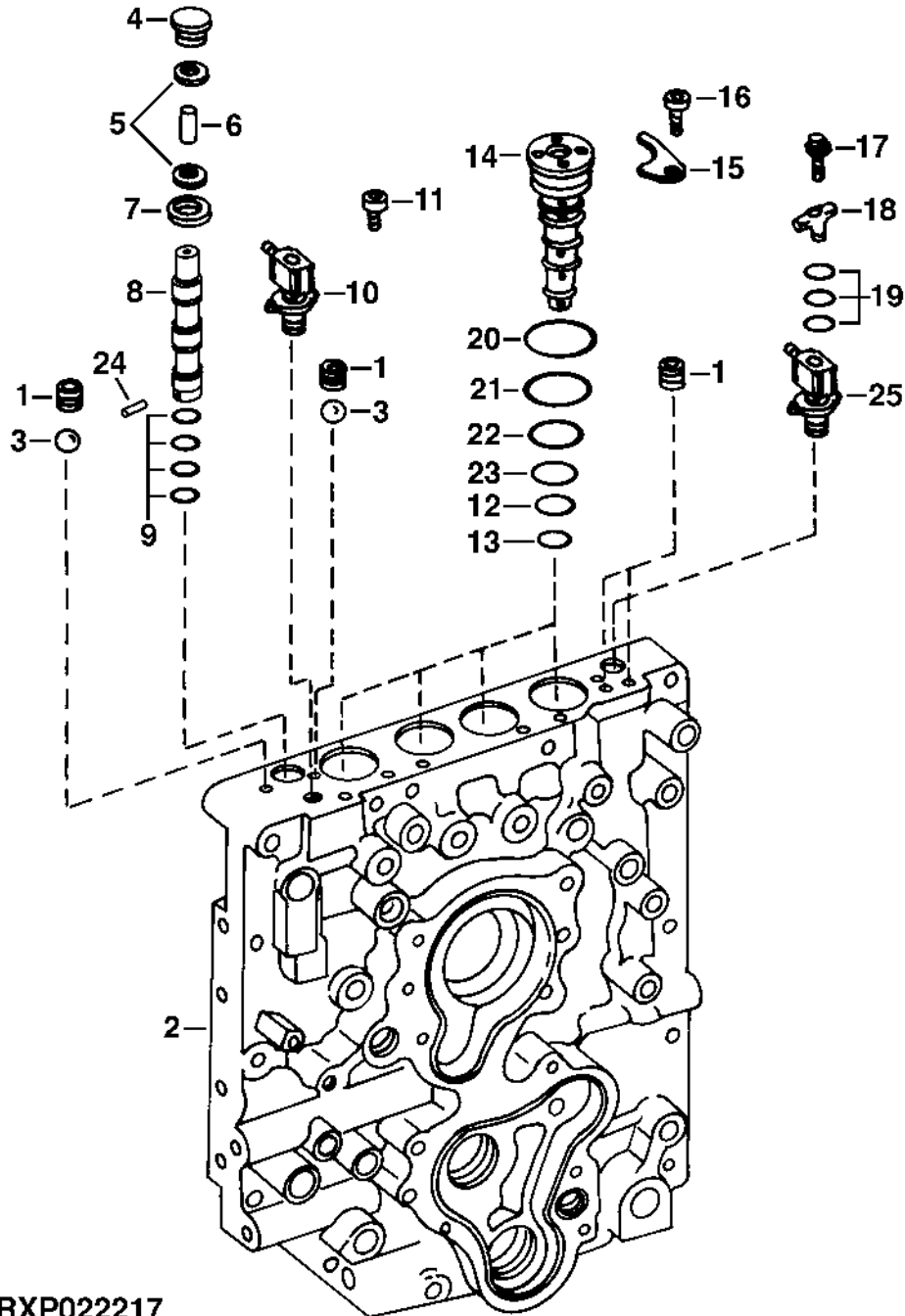
POWER SHIFT TRANSMISSION

KEY	PART NO.	PART NAME	QTY	TRANSMISSION SERIAL NO.	A	REMARKS
					L	
1	RE70834	KIT	1		X	(MARKED R135816)
2	R108565	PIN	1		X	
3	R108499	SPRING	1		X	
4	AR103873	SEAL	1		X	
5	JD9833	NEEDLE BEARING	2		X	
6	R108500	LEVER	1		X	
7	R48685	DOWEL PIN	1		X	
8	34M7207	SPRING PIN	1		X	5 X 30 MM
9	R108551	SHAFT	1		X	
10	34M7207	SPRING PIN	1		X	5 X 30 MM
11	R115501	VALVE	1		X	
12	R125208	SPRING	1		X	
13	R116726	PIN	1		X	
14	R125209	SPRING	1		X	
15	R115504	SHIM	AR		X	
16	51M7045	O-RING	1		X	
17	R116115	FITTING	1		X	
18	RE68291	KIT	1		X	
19	51M7041	O-RING	1		X	
20	RE46684	PLUG	1		X	

4H5

POWER SHIFT TRANSMISSION

MANIFOLD (TSN 8100,8200,8300,8400 020000-)
COLLECTEUR (TSN 8100,8200,8300,8400, 020000-)
KUPPLUNGS (TSN 8100,8200,8300,8400, 020000-)
COLLETORE (TSN 8100,8200,8300,8400, 020000-)
MULTIPLE (TSN 8100,8200,8300,8400, 020000-)
KOPPLINGSGRENROER (TSN 8100,8200,8300,8400, 020000-)
RXP022217 -UN-21AUG97



RXP022217

4H6

POWER SHIFT TRANSMISSION

KEY	PART NO.	PART NAME	QTY	TRANSMISSION SERIAL NO.	A	REMARKS
					L	
1	R125064	PIPE PLUG	4		X	
2	RE70834	KIT	1		X	(MARKED R135816)
3	D2361	BALL	2		X	
4	R97116	KNOB	1		X	
5	24M7139	WASHER	2		X	
6	R108562	STUD	1		X	
7	AR103873	SEAL	1		X	
8	R108489	VALVE	1		X	
9	R33259	O-RING	4		X	
10	RE52319	SOLENOID VALVE	1		X	
11	19M7560	CAP SCREW	4		X	M6 X 16
12	R27928	O-RING	4		X	
13	P42061	O-RING	4		X	
14	RE155967	VALVE	4		X	(ALSO ORDER U41966, U11326, R106663, R62070, R27928 AND R151701) (SUB FOR RE153330 OR RE150946)
15	R95045	CLAMP	4		X	
16	19M7560	CAP SCREW	4		X	M6 X 16
17	19M7775	SCREW	2		X	(B) M6 X 16, HS 10.9
18	L100496	PLUG	1		X	(B)
19	RE47392	O-RING KIT	1		X	(B)
20	U41966	O-RING	4		X	
21	R106663	O-RING	4		X	
22	U11326	O-RING	4		X	
23	R62070	RING	4		X	
24	R44394	NEEDLE ROLLER	1		X	
25	RE52319	SOLENOID VALVE	1		X	(A)

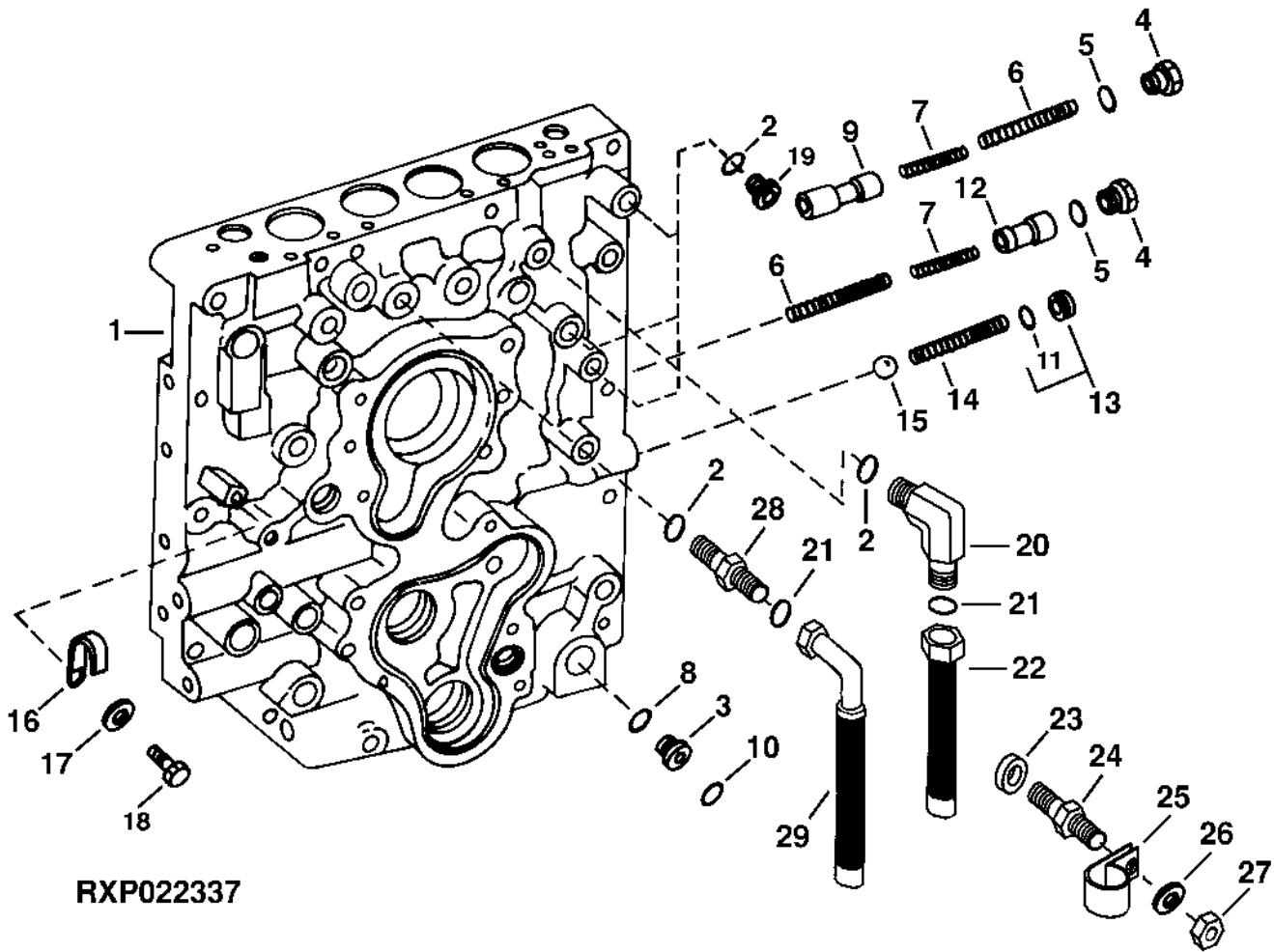
(A) MECHANICAL FRONT WHEEL DRIVE
 TRACTION AVANT MECANIQUE
 MECHANISCHER FRONTANTRIEB
 TRAZIONE ANTERIORE MECANNICA
 TRACCION DELANTERA
 MEKANISK FRAMHJULSDRIVNING

(B) W/O MECHANICAL FRONT WHEEL DRIVE
 W/O TRACTION AVANT MECANIQUE
 W/O MECHANISCHER FRONTANTRIEB
 W/O TRAZIONE ANTERIORE MECANNICA
 W/O TRACCION DELANTERA
 W/O MEKANISK FRAMHJULSDRIVNING

4H7

POWER SHIFT TRANSMISSION

MANIFOLD (TSN 8100,8200,8300,8400 020000-)
COLLECTEUR (TSN 8100,8200,8300,8400, 020000-)
KUPPLUNGS (TSN 8100,8200,8300,8400, 020000-)
COLLETTORE (TSN 8100,8200,8300,8400, 020000-)
MULTIPLE (TSN 8100,8200,8300,8400, 020000-)
KOPPLINGSGRENROER (TSN 8100,8200,8300,8400, 020000-)
RXP022337 -UN-24OCT97



RXP022337

4H8

POWER SHIFT TRANSMISSION

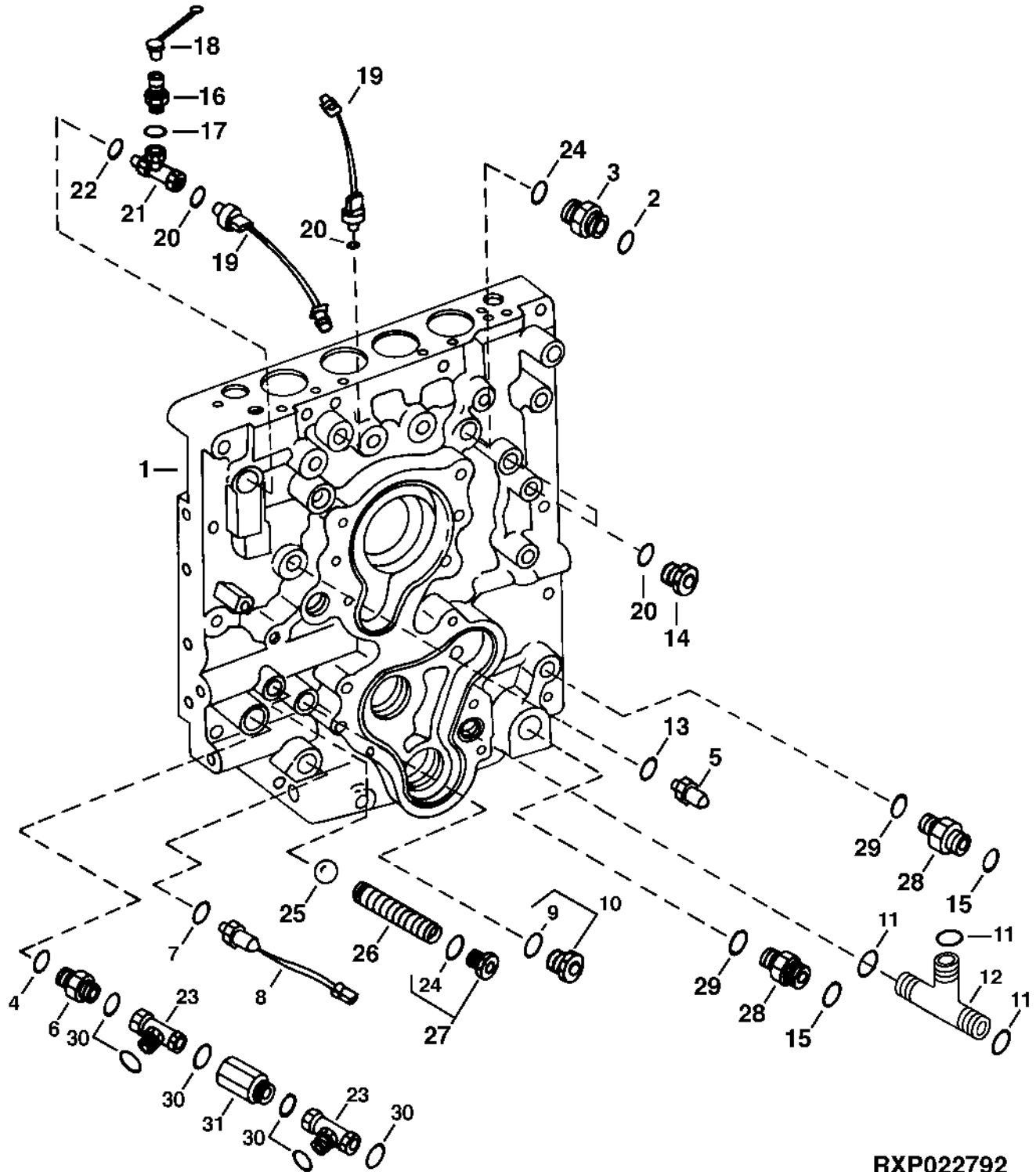
KEY	PART NO.	PART NAME	QTY	TRANSMISSION SERIAL NO.	A	REMARKS
					L	
1	RE70834	KIT	1		X	(MARKED R135816)
2	51M7041	O-RING	AR		X	(A)
3	38H5121	ADAPTER	1		X	(A)
4	R116115	FITTING	1		X	
5	51M7045	O-RING	1		X	
6	R150574	SPRING	2		X	
7	R150573	SPRING	2		X	
8	51M7045	O-RING	1		X	
9	R120235	VALVE	1		X	
10	T77858	O-RING	1		X	
11	51M7043	O-RING	1		X	15.300 X 2.200 MM
12	R108491	VALVE	1		X	
13	RE63751	PLUG	1		X	
14	R108502	SPRING	1		X	
15	D2361	BALL	1		X	
16	R72853	CLAMP	1	-XXXXXX	X	
17	24M7028	WASHER	1	-XXXXXX	X	10.500 X 20 X 2 MM
18	19M8324	CAP SCREW	1	-XXXXXX	X	M10 X 16
19	RE46684	PLUG	AR		X	(A)
20	38H5023	ELBOW FITTING	1		X	
21	T77613	O-RING	3		X	
22	RE154412	OIL LINE	1		X	
23	24M7240	WASHER	1		X	13 X 25 X 3 MM
24	R120578	STUD	1		X	
25	R35794	CLAMP	1		X	
26	24M7028	WASHER	1		X	10.500 X 20 X 2 MM
27	14M7244	NUT	1		X	M12
28	38H5009	ADAPTER	2		X	
29	RE154411	OIL LINE	2		X	

(A)MECHANICAL FRONT WHEEL DRIVE
 TRACTION AVANT MECANIQUE
 MECHANISCHER FRONTANTRIEB
 TRAZIONE ANTERIORE MECANNICA
 TRACCION DELANTERA
 MEKANISK FRAMHJULSDRIVNING

4H9

POWER SHIFT TRANSMISSION

MANIFOLD (TSN 8100,8200,8300,8400,020000-)
COLLECTEUR (TSN 8100,8200,8300,8400,020000-)
KUPPLUNGS (TSN 8100,8200,8300,8400,020000-)
COLLETTE (TSN 8100,8200,8300,8400,020000-)
MULTIPLE (TSN 8100,8200,8300,8400,020000-)
KOPPLINGSRENROER (TSN 8100,8200,8300,8400,020000-)
RXP022792 -UN-24AUG98



RXP022792

4H10

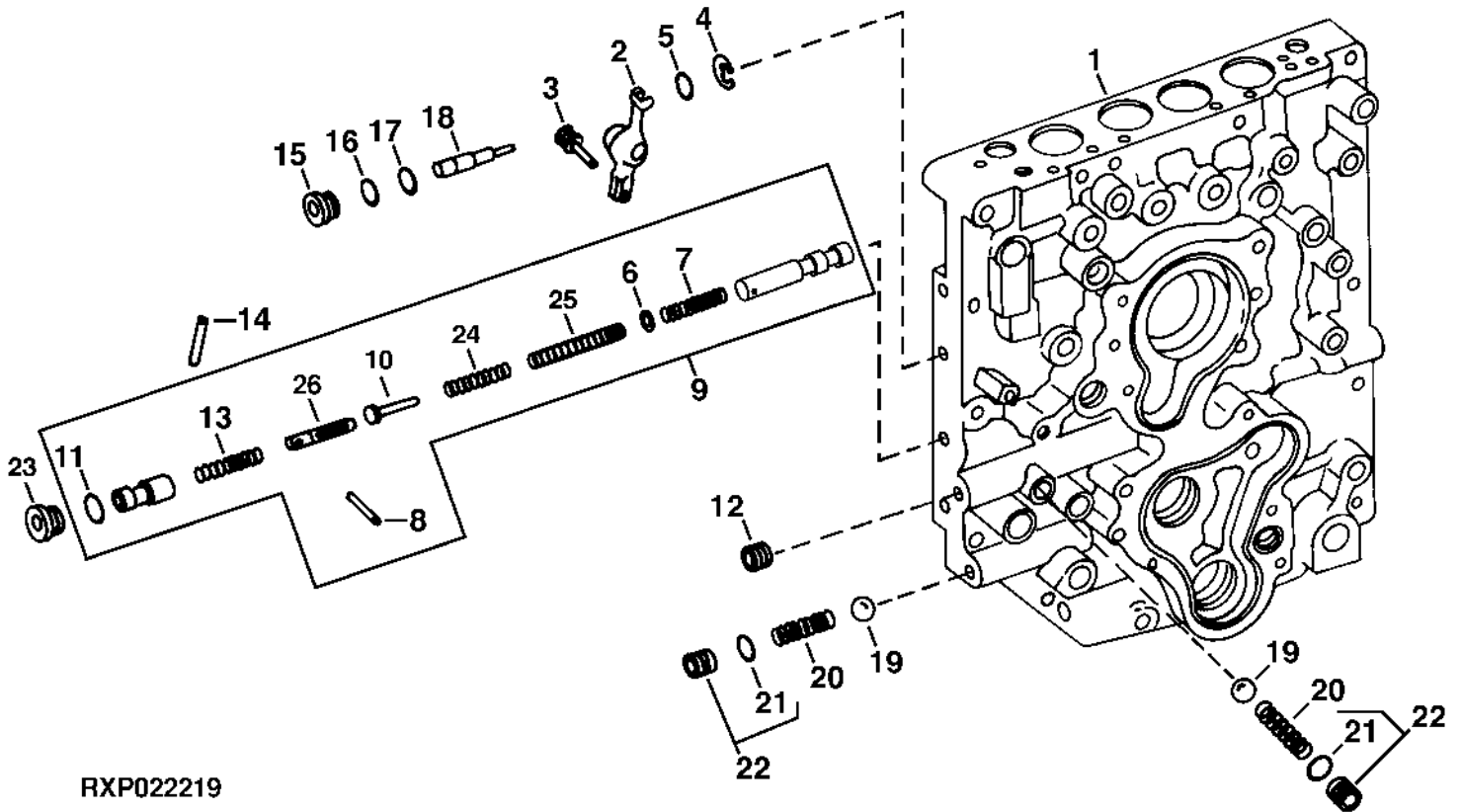
POWER SHIFT TRANSMISSION

KEY	PART NO.	PART NAME	QTY	TRANSMISSION SERIAL NO.	A	REMARKS
					L	
1	RE70834	KIT	1		X	(MARKED R135816)
2	T77857	O-RING	1		X	
3	38H5003	ADAPTER	3		X	
4	51M7047	O-RING	3		X	
5	RE46534	SWITCH	1		X	
6	38H5005	ADAPTER	1		X	
7	51M7041	O-RING	1		X	
8	RE70062	SWITCH	1	-XXXXXX	X	
	RE46684	PLUG	1	XXXXXX-	X	
	51M7041	O-RING	1	XXXXXX-	X	
9	51M7041	O-RING	1		X	
10	RE46684	PLUG	1		X	
11	51M7047	O-RING	1		X	
12	38H5140	TEE FITTING	1		X	
13	T77613	O-RING	1		X	
14	RE46684	PLUG	2		X	
15	T77858	O-RING	2		X	
16	RE12187	RECEPTACLE	1		X	
17	51M7041	O-RING	1		X	
18	R77175	COVER	1		X	
19	RE160680	SWITCH	2		X	(SUB FOR RE66881)
20	51M7041	O-RING	4		X	
21	RE61274	TEE FITTING	1		X	
22	51M7041	O-RING	1		X	
23	38H5136	TEE FITTING	1		X	
24	51M7043	O-RING	2		X	
25	D2361R	BALL	1		X	
26	R108502	SPRING	1		X	
27	RE63751	PIPE PLUG	1		X	
28	38H5121	ADAPTER	2		X	
29	51M7045	O-RING	2		X	
30	T77858	O-RING	6		X	
31	RE51573	FITTING	1		X	

4H11

POWER SHIFT TRANSMISSION

MANIFOLD (TSN 8100,8200,8300,8400 020000-)
COLLECTEUR (TSN 8100,8200,8300,8400, 020000-)
KUPPLUNGS (TSN 8100,8200,8300,8400, 020000-)
COLLETTORE (TSN 8100,8200,8300,8400, 020000-)
MULTIPLE (TSN 8100,8200,8300,8400, 020000-)
KOPPLINGSGRENROER (TSN 8100,8200,8300,8400, 020000-)
RXP022219 -UN-21AUG97



RXP022219

4H12

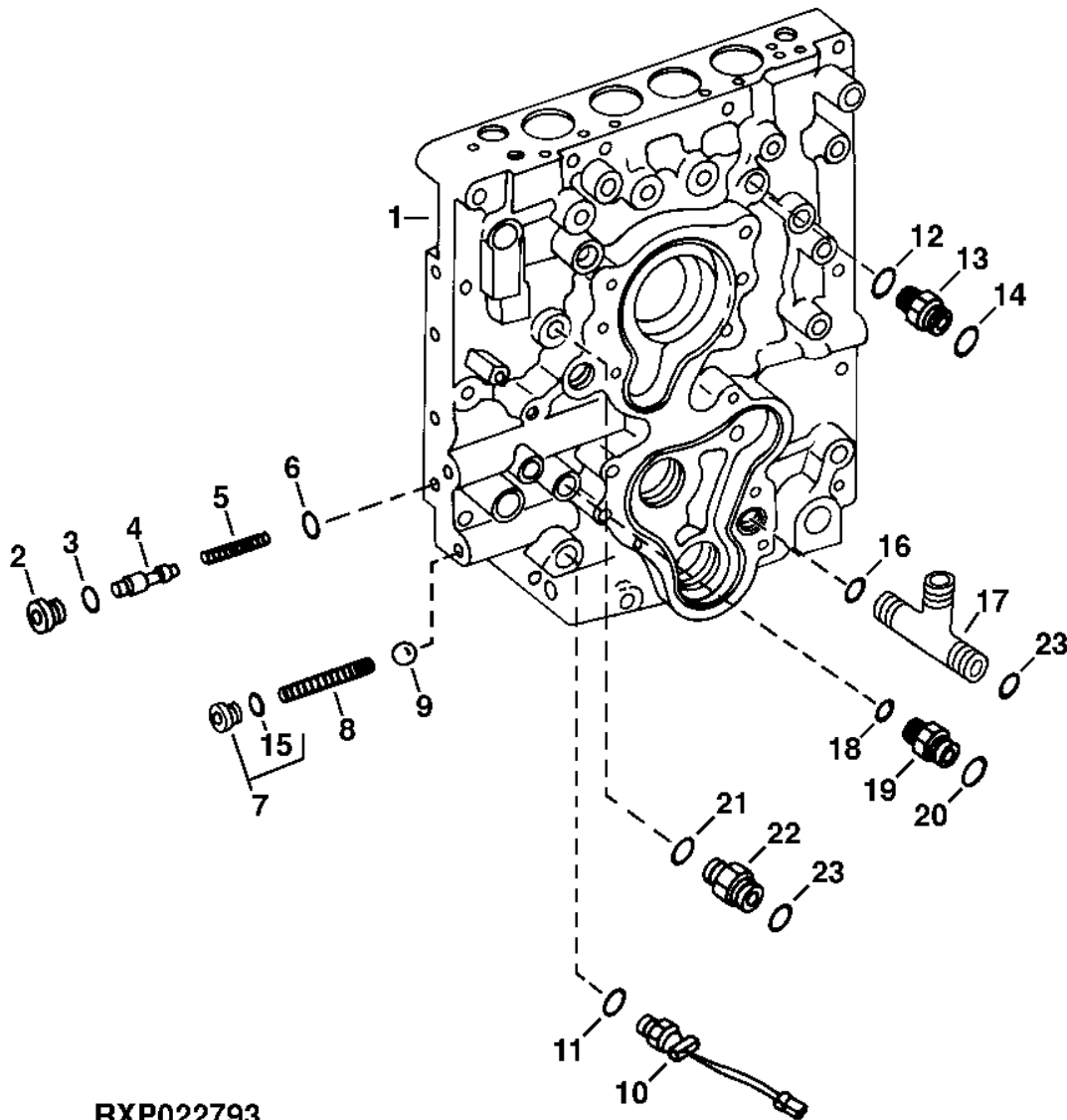
POWER SHIFT TRANSMISSION

KEY	PART NO.	PART NAME	QTY	TRANSMISSION SERIAL NO.	A	REMARKS
					L	
1	RE70834	KIT	1		X	(MARKED R135816)
2	R108488	ARM	1		X	
3	R104745	PIN	1		X	
4	R72653	SNAP RING	1		X	
5	24M7420	WASHER	1		X	8.250 X 16 X 1.600 MM
6	R52665	THRUST WASHER	1		X	
7	R134582	SPRING	1		X	
8	34H261	SPRING PIN	1		X	
9	RE151801	KIT	1		X	
10	R134584	GUIDE	1		X	
11	51M7045	O-RING	1		X	19.300 X 2.200 MM
12	R125064	PIPE PLUG	1		X	
13	R104814	SPRING	1		X	
14	R44394	NEEDLE ROLLER	1		X	
15	R116115	FITTING	1		X	
16	51M7045	O-RING	1		X	19.300 X 2.200 MM
17	R33259	O-RING	1		X	
18	R108492	VALVE	1		X	
19	D2361R	BALL	2		X	
20	R108502	SPRING	2		X	
21	51M7043	O-RING	2		X	
22	RE63751	PLUG	2		X	
23	R116115	FITTING	1		X	
24	R134583	SPRING	1		X	(OUTER)
25	R134581	SPRING	1		X	(INNER)
26	R122197	LINK	1		X	

4H13

POWER SHIFT TRANSMISSION

MANIFOLD (TSN 8100,8200,8300,8400 020000-)
COLLECTEUR (TSN 8100,8200,8300,8400, 020000-)
KUPPLUNGS (TSN 8100,8200,8300,8400, 020000-)
COLLETTORE (TSN 8100,8200,8300,8400, 020000-)
MULTIPLE (TSN 8100,8200,8300,8400, 020000-)
KOPPLINGSGRENROER (TSN 8100,8200,8300,8400, 020000-)
RXP022793 -UN-25AUG98



RXP022793

4H14

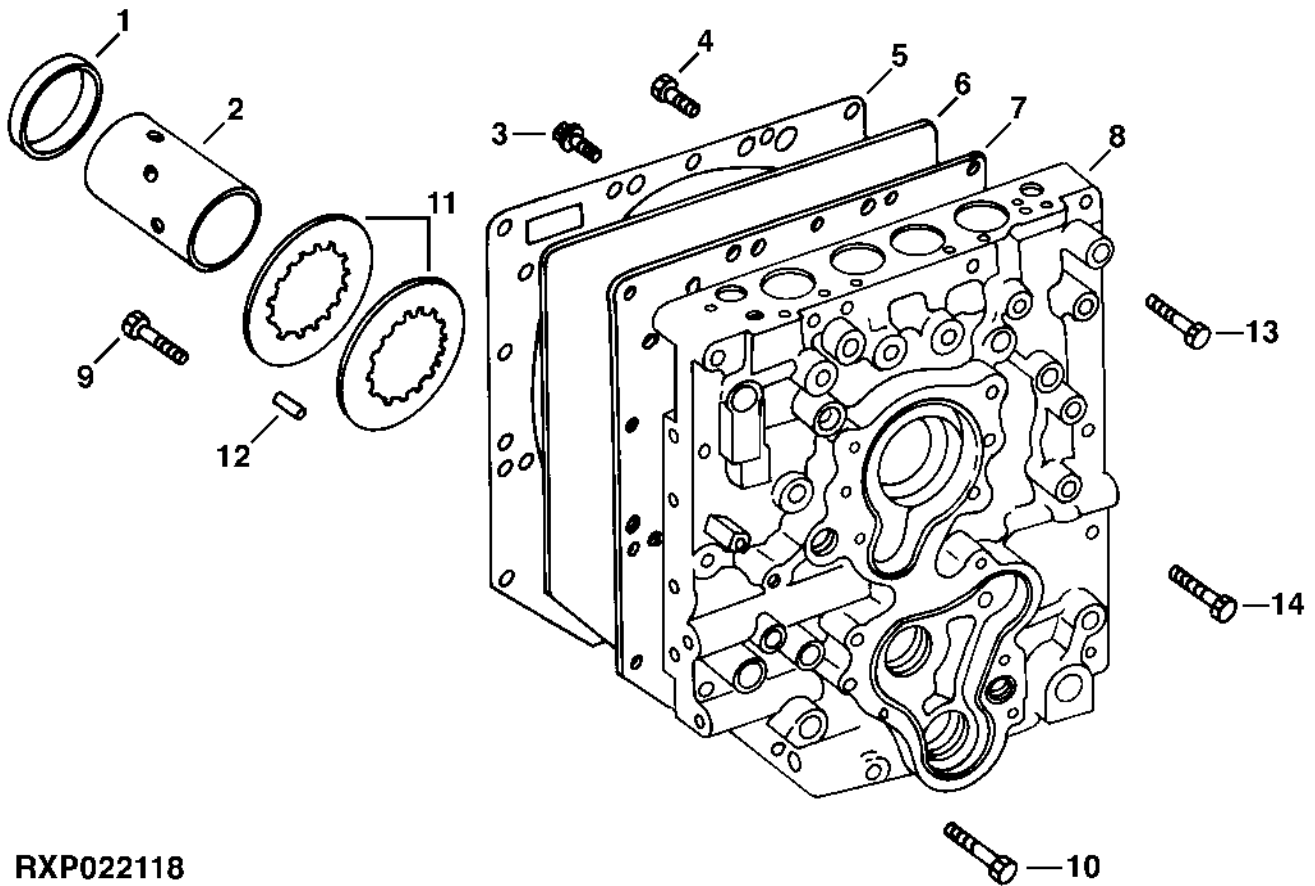
POWER SHIFT TRANSMISSION

KEY	PART NO.	PART NAME	QTY	TRANSMISSION SERIAL NO.	A	REMARKS
					L	
1	RE70834	KIT	1		X	(MARKED R135816)
2	R116115	FITTING	1		X	
3	51M7045	O-RING	1		X	
4	R125848	VALVE	1		X	
5	R104814	SPRING	1		X	
6	R33259	O-RING	1		X	
7	RE63751	PLUG	1		X	
8	R108501	SPRING	1		X	
9	D2361	BALL	1		X	
10	RE70062	SWITCH	1	-XXXXXX	X	(SUB FOR RE52868)
	RE46684	PLUG	1	XXXXXX-	X	
	51M7041	O-RING	1	XXXXXX-	X	
11	51M7041	O-RING	1		X	
12	51M7043	O-RING	1		X	
13	RE46685	PLUG	1		X	
14	T77857	O-RING	1		X	
15	51M7043	O-RING	1		X	
16	51M7047	O-RING	1		X	
17	38H5140	TEE FITTING	1		X	
18	51M7041	O-RING	1		X	
19	38H5002	ADAPTER	1		X	
20	T77613	O-RING	1		X	
21	51M7043	O-RING	1		X	
22	38H5003	ADAPTER	1		X	
23	T77932	O-RING	2		X	

4H15

POWER SHIFT TRANSMISSION

MANIFOLD COVER (TSN 8100,8200,8300,8400 020000-)
COUVRE-COLLECTEUR (TSN 8100,8200,8300,8400, 020000-)
KRUEMMERDECKEL (TSN 8100,8200,8300,8400, 020000-)
COPERCHIO DEL COLLETTORE (TSN 8100,8200,8300,8400, 020000-)
CUBIERTA DEL MULTIPLE (TSN 8100,8200,8300,8400, 020000-)
GRENROERSKAAPA (TSN 8100,8200,8300,8400, 020000-)
RXP022118 -UN-07JUN97



RXP022118

4H16

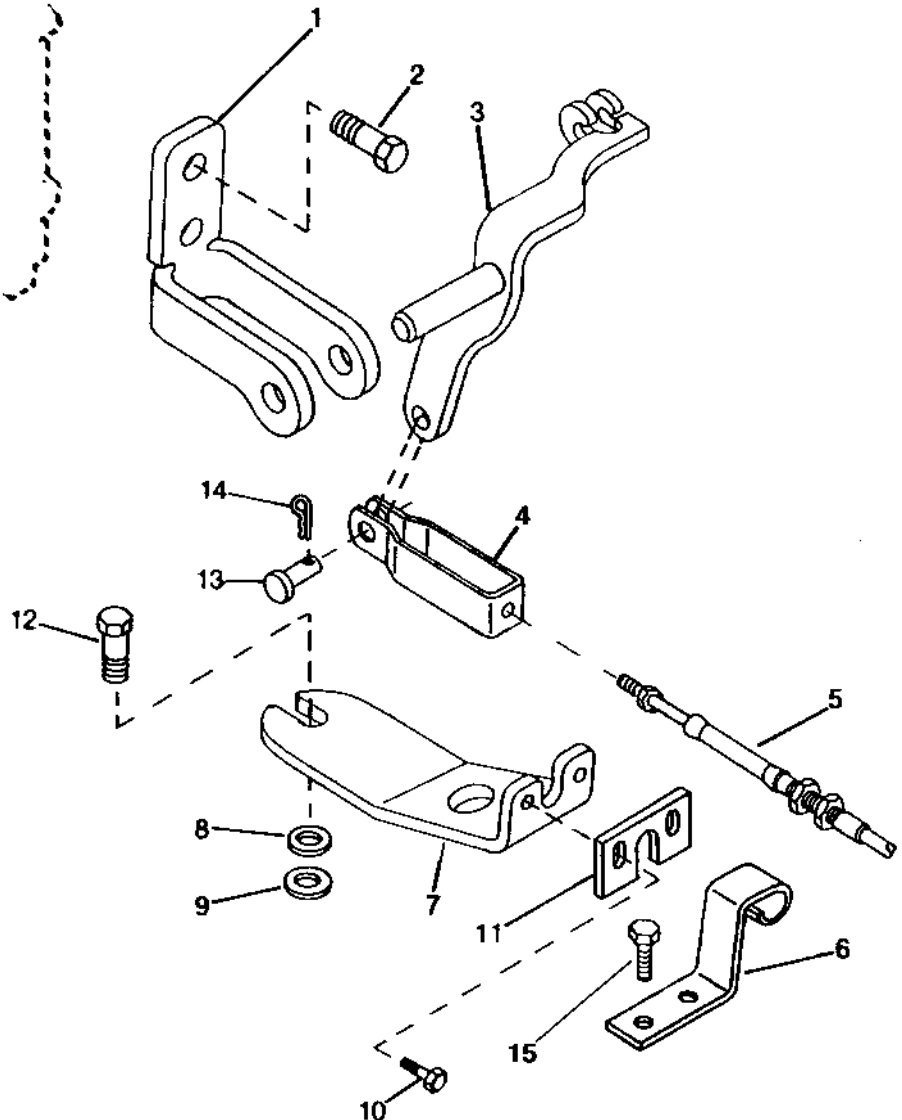
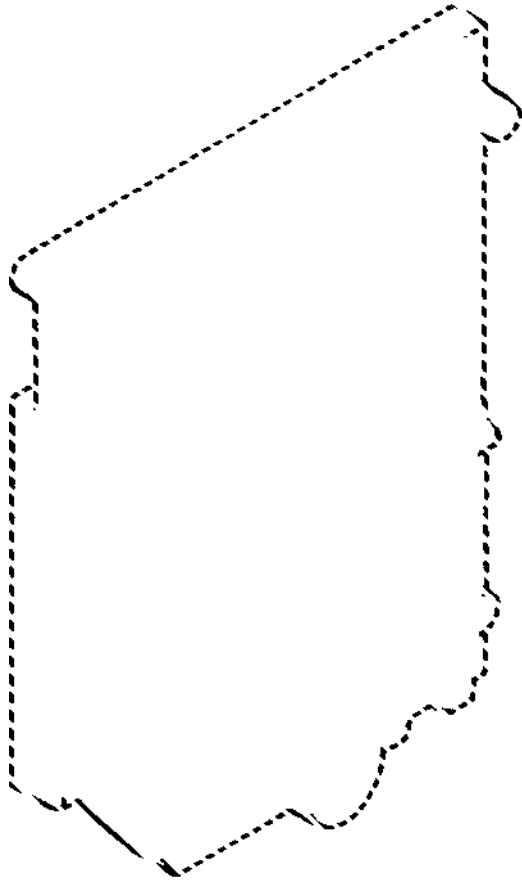
POWER SHIFT TRANSMISSION

KEY	PART NO.	PART NAME	QTY	TRANSMISSION SERIAL NO.	A	REMARKS
					L	
1	R108547	BEARING CUP	1		X	
2	R108576	SLEEVE	1		X	
3	R153676	SCREW	11		X	HS 10.9
4	19M7807	SCREW	2		X	M10 X 60
5	R125971	GASKET	1		X	
6	R108468	END PLATE	1		X	
7	R125972	GASKET	1		X	
8	RE70834	KIT	1		X	(MARKED R135816)
9	R125379	CAP SCREW	4		X	HS 10.9
10	19M8737	SCREW	5		X	M12 X 140, HS 10.9
11	R105833	DISK SPRING	2		X	
12	T26565	DOWEL PIN	2		X	
13	19M7817	SCREW	12		X	M12 X 70
14	19M7820	SCREW	3		X	M12 X 100

4H17

POWER SHIFT TRANSMISSION

TOW DISCONNECT (EUROPEAN VERSION) (TSN 8100,8200,8300,8400 020000-)
REMORQUE, DISPOSITIF DE DESACCOUPLMENT (TSN 8100,8200,8300,8400, 020000-)
ABSCHLEPP-AUSRUECKUNG (TSN 8100,8200,8300,8400, 020000-)
DISINSERIMENTO DEL TRAINO (TSN 8100,8200,8300,8400, 020000-)
DESCONEXION PARA REMOLCAR (TSN 8100,8200,8300,8400, 020000-)
BOGSEKOPPLING (TSN 8100,8200,8300,8400, 020000-)
RE026010 -UN-23MAR95



RE026010

4H18

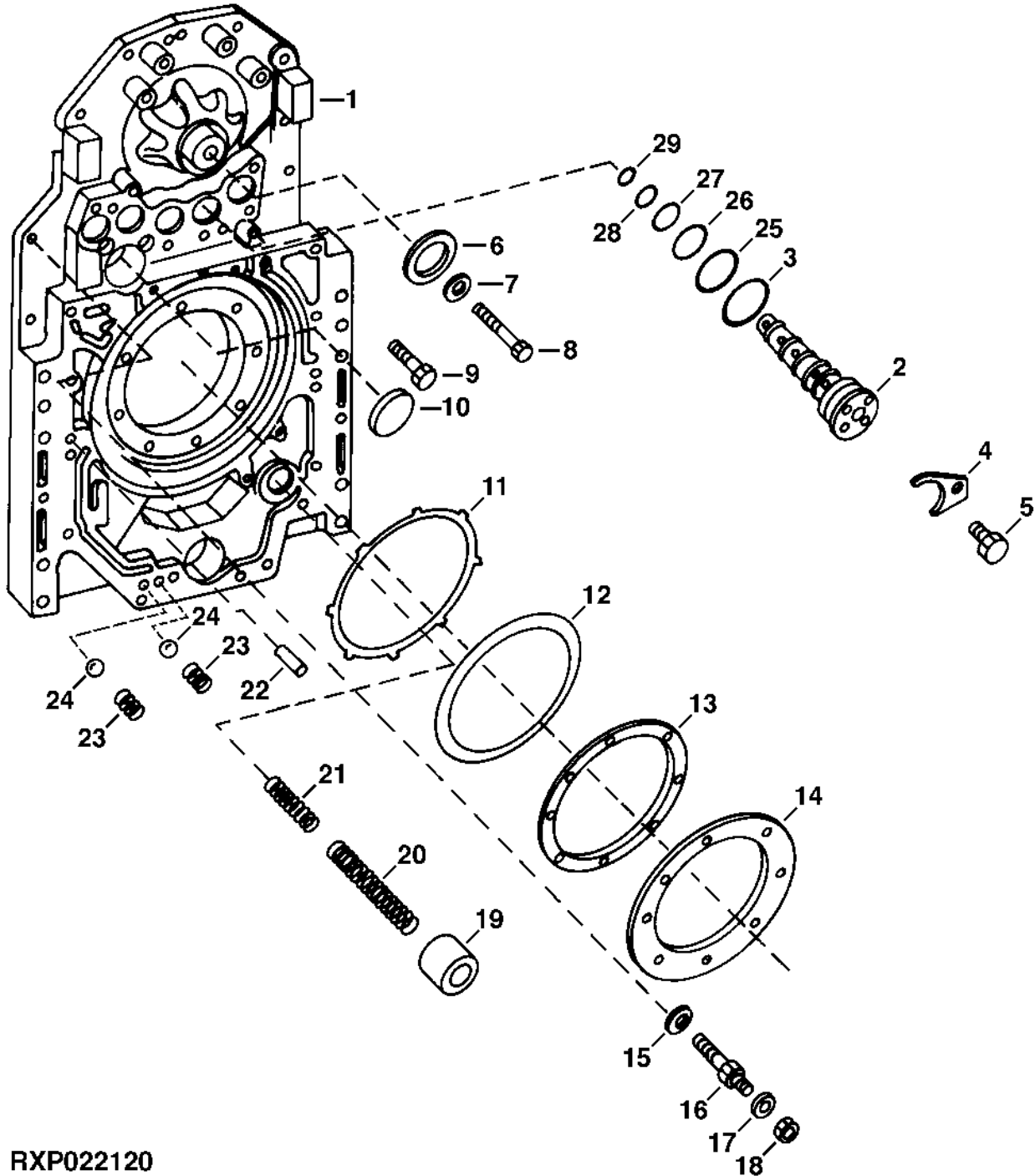
POWER SHIFT TRANSMISSION

KEY	PART NO.	PART NAME	QTY	TRACTOR SERIAL NO.	A L L	REMARKS
1	R124004	BRACKET	1		X	
2	19M7932	CAP SCREW	2		X	M8 X 16
3	RE60320	LEVER	1		X	
4	RE60897	RETAINER	1		X	
5	RE61051	CABLE	1		X	
	T13814	CLAMP	1		X	
6	R119604	BRACKET	1		X	
7	R124005	BRACKET	1		X	
8	24M7346	WASHER	AR		X	11 X 20 X 2 MM
9	24M7028	WASHER	AR		X	10.500 X 20 X 2 MM
10	37M7079	SCREW	2		X	
11	R125144	CLIP	1		X	
12	19M7402	CAP SCREW	1		X	M10 X 25
13	J19366	PIN	1		X	
14	A5067R	SPRING LOCKING PIN	1		X	
15	37M7165	SCREW	2		X	

4H19

POWER SHIFT TRANSMISSION

TRANSMISSION CASE REAR COVER (TSN 8100,8200,8300,8400 020000-)
COUVERCLE ARRIERE DE CARTER DE TRANSMISSION (TSN 8100,8200,8300,8400, 020000-)
HINTERE ABDECKUNG DES GETRIEBEGEHAEUSES (TSN 8100,8200,8300,8400, 020000-)
COPERCHIO POSTERIORE DELLA SCATOLA DELLA TRASMISSIONE (TSN 8100,8200,8300,8400 020000-)
CUBIERTA POSTERIOR DE LA CAJA DE LA TRANSMISION (TSN 8100,8200,8300,8400, 020000-)
TRANSMISSIONSKAAPANS BAKRE PLAAT (TSN 8100,8200,8300,8400, 020000-)
RXP022120 -UN-02JUN97



RXP022120

4H20

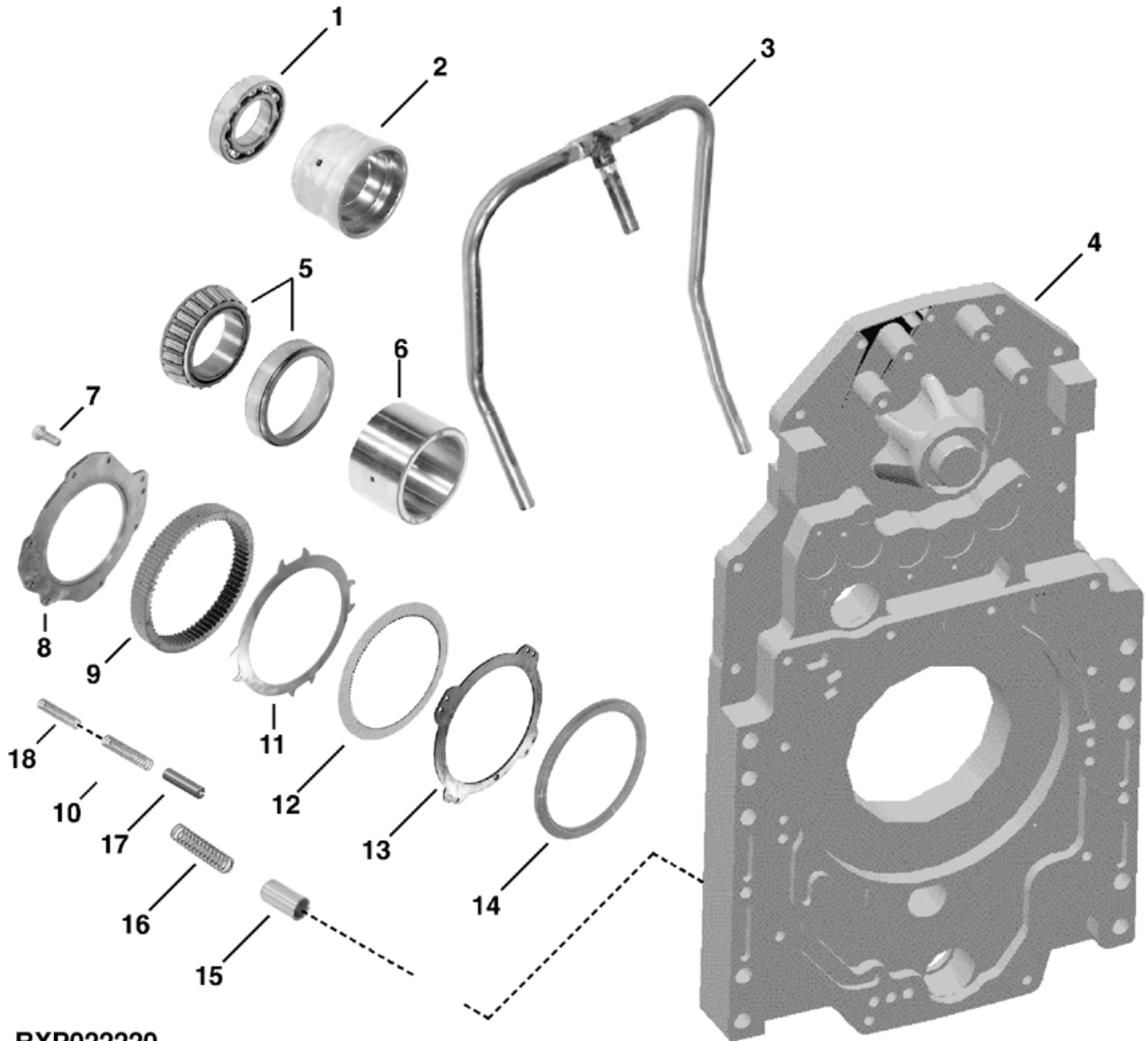
POWER SHIFT TRANSMISSION

KEY	PART NO.	PART NAME	QTY	TRANSMISSION SERIAL NO.	A	REMARKS
					L	
1	RE71368	COVER	1		X	(MARKED R135516)
2	RE155966	VALVE	5		X	(ALSO ORDER T143166, U41966, R106663, R62070, R27928 AND P42061) (SUB FOR RE153329 OR RE150945)
3	U41966	O-RING	5		X	
4	R95045	CLAMP	5		X	
5	19M7932	CAP SCREW	5		X	M8 X 16
6	AH89023	SEAL	1		X	
7	24H1900	WASHER	1		X	17/32" X 2" X 1/4"
8	19M7791	SCREW	1		X	M12 X 40
9	19M7813	SCREW	3		X	M12 X 45
10	R26115	CAP	1		X	
11	R108481	PLATE	5		X	
12	RE45407	DISK, WITH INNER SPLINE	4		X	
13	RE45388	PISTON	1		X	
14	R108482	PLATE	1		X	
15	24M7028	WASHER	1		X	10.500 X 20 X 2 MM
16	R120578	STUD	1		X	
17	24M7240	WASHER	1		X	13 X 25 X 3 MM
18	14M7274	NUT	1		X	M10
19	R124175	PISTON	1		X	
20	R124173	SPRING	1		X	
21	R124174	COMPRESSION SPRING	1		X	
22	T26565	DOWEL PIN	2		X	
23	R128397	SPRING	2		X	
24	D2361R	BALL	2		X	
25	R106663	O-RING	5		X	
26	U11326	O-RING	5		X	
27	R62070	RING	5		X	
28	R27928	O-RING	5		X	
29	P42061	O-RING	5		X	

4H21

POWER SHIFT TRANSMISSION

TRANSMISSION CASE REAR COVER (TSN 8100,8200,8300,8400 020000-)
COUVERCLE ARRIERE DE CARTER DE TRANSMISSION (TSN 8100,8200,8300,8400, 020000-)
HINTERE ABDECKUNG DES GETRIEBEGEHAEUSES (TSN 8100,8200,8300,8400, 020000-)
COPERCHIO POSTERIORE DELLA SCATOLA DELLA TRASMISSIONE (TSN 8100,8200,8300,8400 020000-)
CUBIERTA POSTERIOR DE LA CAJA DE LA TRANSMISION (TSN 8100,8200,8300,8400, 020000-)
TRANSMISSIONSKAAPANS BAKRE PLAAT (TSN 8100,8200,8300,8400, 020000-)
RXP022220 -UN-21AUG97



RXP022220

4H22

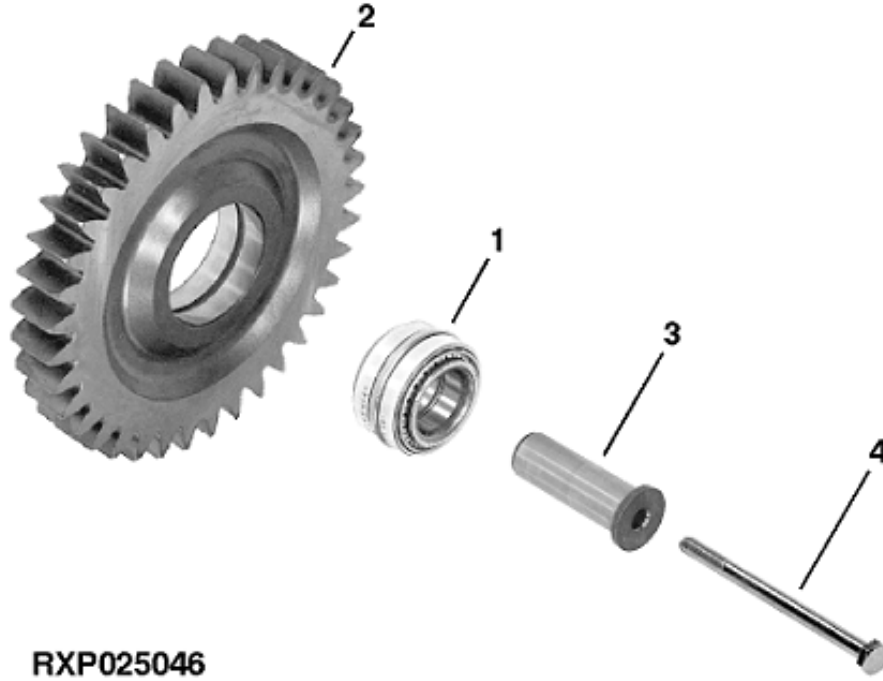
POWER SHIFT TRANSMISSION

KEY	PART NO.	PART NAME	QTY	TRANSMISSION SERIAL NO.	A	REMARKS
					L	
1	RE67948	BEARING	1		X	
2	R108582	SLEEVE	1		X	
3	RE70389	OIL LINE	1		X	
4	RE71368	COVER	1		X	(MARKED R135516)
5	RE45399	ROLLER BEARING	1		X	
6	R108583	SLEEVE	1		X	
7	R124725	SELF-LOCKING SCREW	8		X	M10 X 1.5, HS 10.9
8	R108472	PLATE	1		X	
9	R108474	RING GEAR	1		X	
10	R134390	SPRING	8		X	
11	R86308	PLATE	3		X	
12	RE45415	DISK, WITH INNER SPLINE	4		X	
13	R135537	BRAKE DISK	1		X	
14	RE45388	PISTON	1		X	W/SEAL
15	R120147	VALVE	1		X	
16	R121741	SPRING	1		X	
17	34M7124	SPRING PIN	8		X	
18	R134391	SPRING	8		X	
..	R135621	PLUG	4		X	
..	AT107509	PLUG	1		X	

4H23

POWER SHIFT TRANSMISSION

REVERSE IDLER (TSN 8100,8200,8300,8400 020000-)
 PIGNON FOU DE MARCHE ARRIERE (TSN 8100,8200,8300,8400, 020000-)
 ZWISCHENRAD DES RUECKWAERTSGANGES (TSN 8100,8200,8300,8400, 020000-)
 INGRANAGGIO INTERMEDIO DI RETROMARCIA (TSN 8100,8200,8300,8400, 020000-)
 ENGRANAJE INTERMEDIO DE RETROCESO (TSN 8100,8200,8300,8400, 020000-)
 BACKDREV (TSN 8100,8200,8300,8400, 020000-)
 RXP025046 -UN-01JAN94

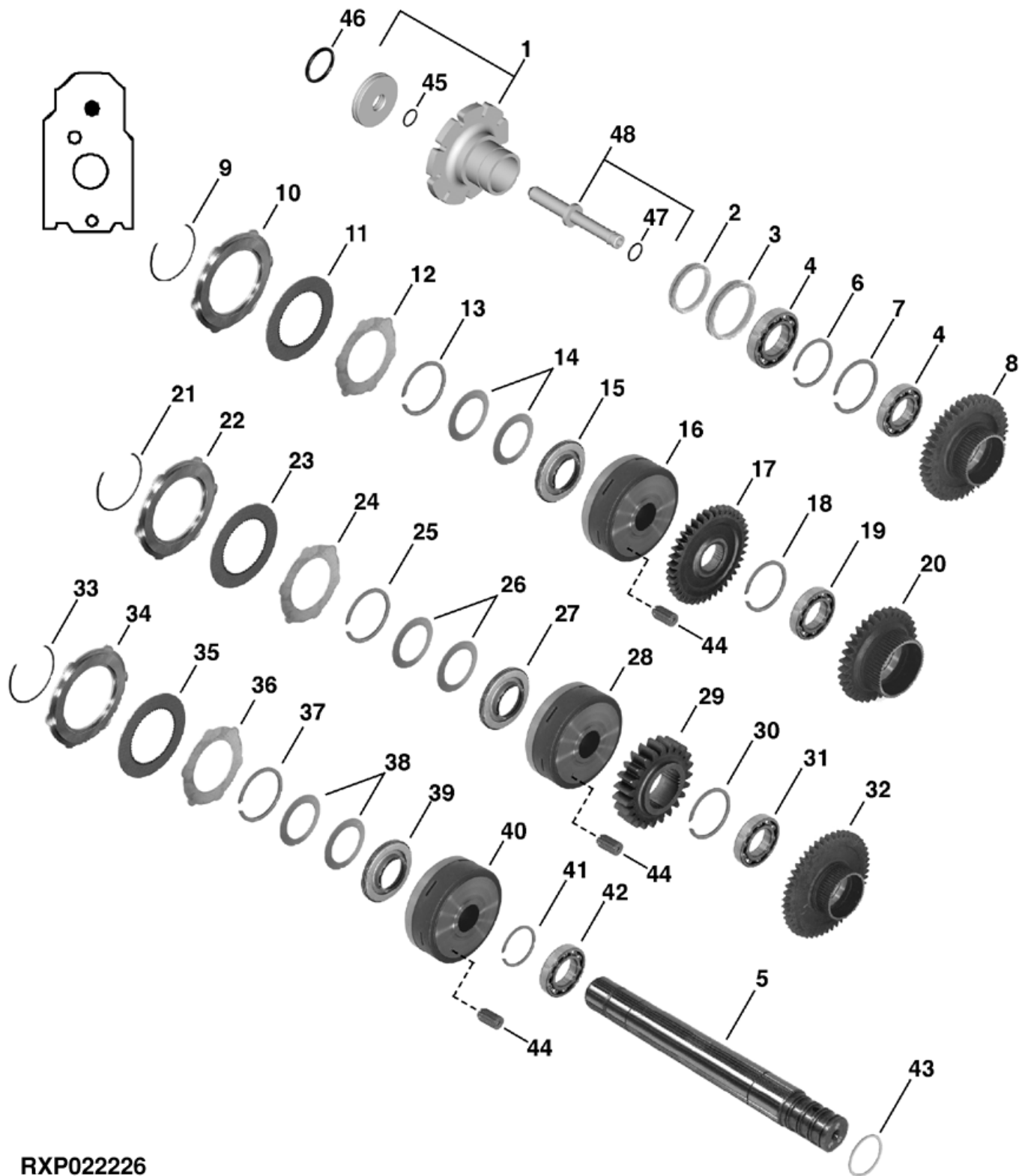


RXP025046

KEY	PART NO.	PART NAME	QTY	TRANSMISSION SERIAL NO.	A		REMARKS
					L	L	
1	AH94661	BEARING	1		X		
2	R108454	GEAR	1		X		
3	R108455	SHAFT	1		X		
4	19M7838	SCREW	1		X		M12 X 130

MEMORANDA
MEMORANDA
MEMORANDA
MEMORANDA
MEMORANDA

INPUT SHAFT (TSN 8100,8200,8300,8400 020000-))
 ARBRE PRIMAIRE (TSN 8100,8200,8300,8400, 020000-))
 EINGANGSWELLE (TSN 8100,8200,8300,8400, 020000-))
 ALBERO DI INGRESSO (TSN 8100,8200,8300,8400, 020000-))
 EJE DE ENTRADA (TSN 8100,8200,8300,8400, 020000-))
 INGAAENDE AXEL (TSN 8100,8200,8300,8400, 020000-))
 RXP022226 -UN-05SEP97

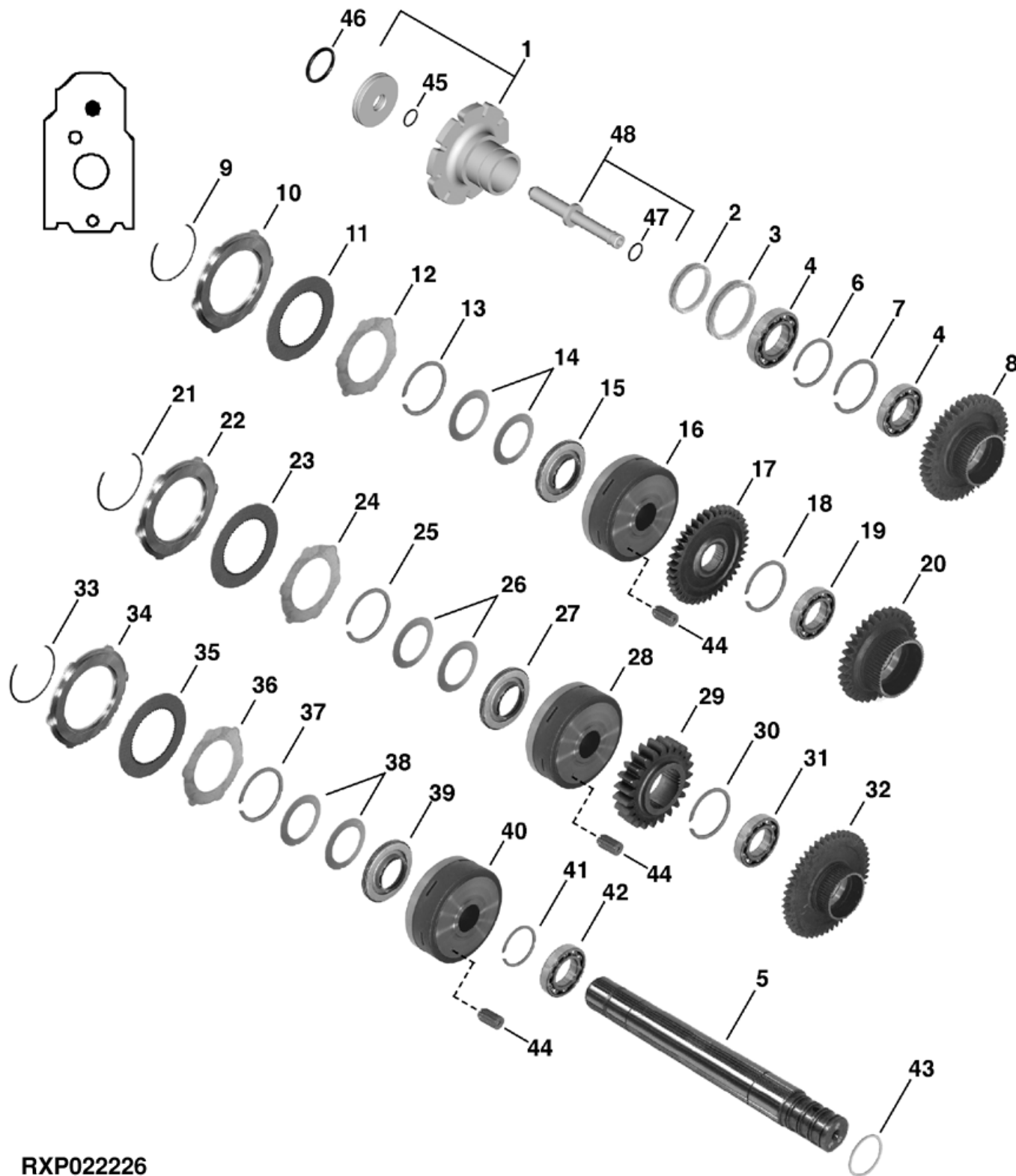


RXP022226

KEY	PART NO.	PART NAME	QTY	TRANSMISSION SERIAL NO.	A	REMARKS
					L	
1	RE70206	HUB	1		X	
2	R130561	V-RING SEAL	1		X	
3	RE158066	SEAL	1		X	(SUB FOR RE13181, THIS APPLICATION)
4	RE67948	BEARING	1		X	
5	RE67483	SHAFT	1	-029133	X	(SUB RE70088, RE70206, RE71323 AND F3353R)
	RE70088	SHAFT	1	029134-	X	
6	R115171	SNAP RING	2		X	
7	R108496	SNAP RING	1		X	
8	R132236	GEAR	1		X	
9	R99692	SNAP RING	1		X	
10	R108530	CLUTCH PLATE	1		X	
11	RE67458	DISK, WITH INNER SPLINE	5		X	
12	R108507	CLUTCH PLATE	5		X	
13	R26246	SNAP RING	1		X	
14	R133095	DISK SPRING	5		X	
15	RE45374	PISTON	1		X	W/SEAL
16	RE70833	DRUM	1		X	(MARKED R135349)
17	R108447	GEAR	1		X	
18	R108496	SNAP RING	1		X	
19	RE67948	BEARING	1		X	
20	R132245	GEAR	1		X	
21	R99692	SNAP RING	1		X	
22	R108530	CLUTCH PLATE	1		X	
23	RE67458	DISK, WITH INNER SPLINE	5		X	
24	R108507	CLUTCH PLATE	5		X	

THIS PARTS LISTING IS CONTINUED

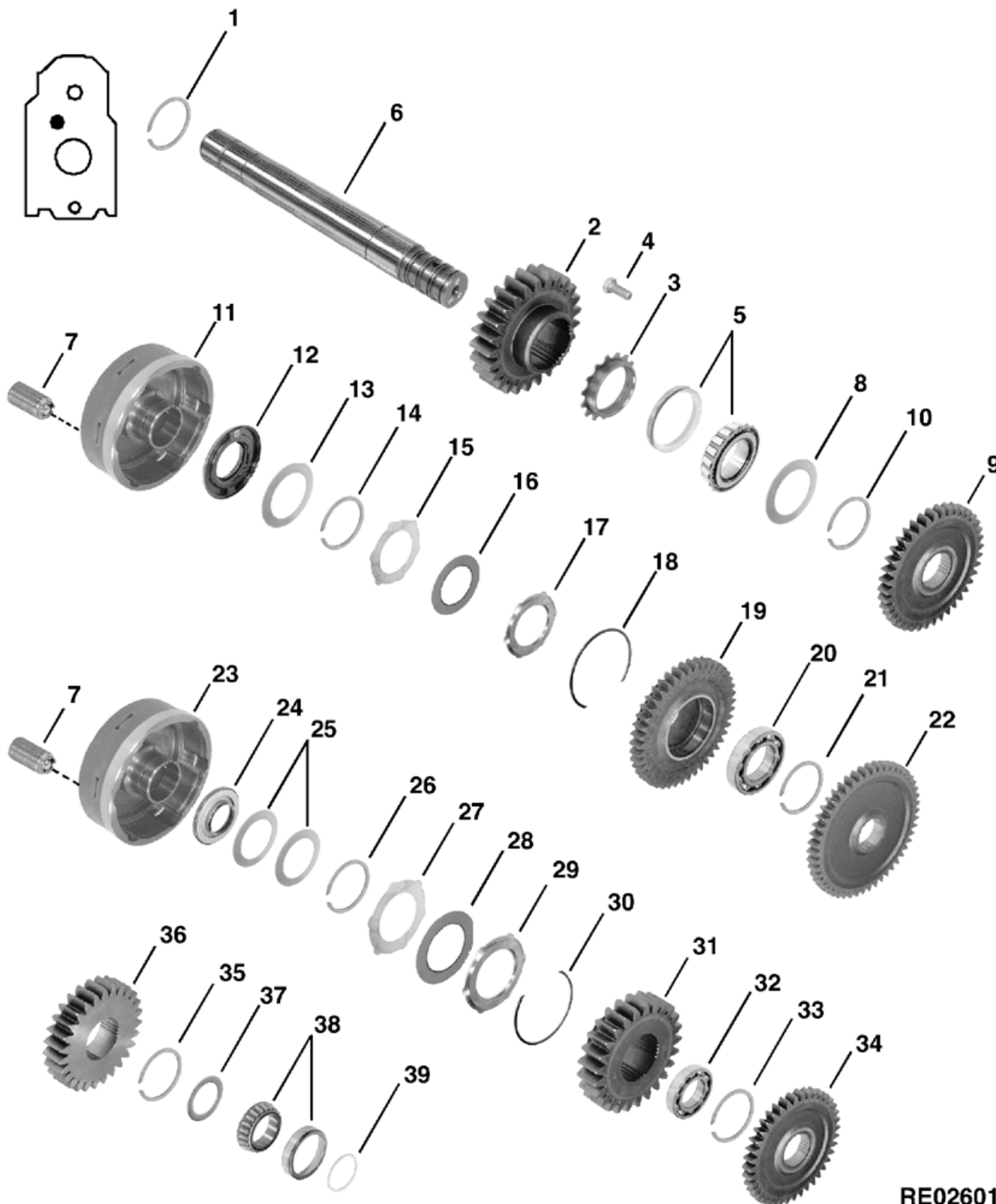
INPUT SHAFT-CONTINUED (TSN 8100,8200,8300,8400 020000-)
 ARBRE PRIMAIRE-A SUIVRE (TSN 8100,8200,8300,8400, 020000-)
 EINGANGSWELLE-FORTS. (TSN 8100,8200,8300,8400, 020000-)
 ALBERO DI INGRESSO-CONTINUA (TSN 8100,8200,8300,8400, 020000-)
 EJE DE ENTRADA-CONTINUACION (TSN 8100,8200,8300,8400, 020000-)
 INGAAENDE AXEL-FORTS. (TSN 8100,8200,8300,8400, 020000-)
 RXP022226 -UN-05SEP97



RXP022226

KEY	PART NO.	PART NAME	QTY	TRANSMISSION SERIAL NO.	A	REMARKS
					L	
25	R26246	SNAP RING	1		X	
26	R133095	DISK SPRING	5		X	
27	RE45374	PISTON	1		X	W/SEAL
28	RE70833	DRUM	1		X	(MARKED R135349)
29	R108584	GEAR	1		X	
30	R108496	SNAP RING	1		X	
31	RE67948	BEARING	1		X	
32	R132247	GEAR	1		X	
33	R99692	SNAP RING	1		X	
34	R108530	CLUTCH PLATE	1		X	
35	RE67458	DISK, WITH INNER SPLINE	5		X	
36	R108507	CLUTCH PLATE	5		X	
37	R135096	SNAP RING	1		X	
38	R133095	DISK SPRING	1		X	
39	RE45374	PISTON	1		X	W/SEAL
40	RE70833	DRUM	1		X	(MARKED R135349)
41	R115171	SNAP RING	1		X	
42	RE67948	BEARING	1		X	
43	R115508	RING	5		X	
44	R1612R	DOWEL PIN	1		X	
45	F3353R	O-RING	1		X	
46	R132237	O-RING	1		X	
47	R132239	O-RING	1		X	
48	RE71323	BREATHER	1		X	

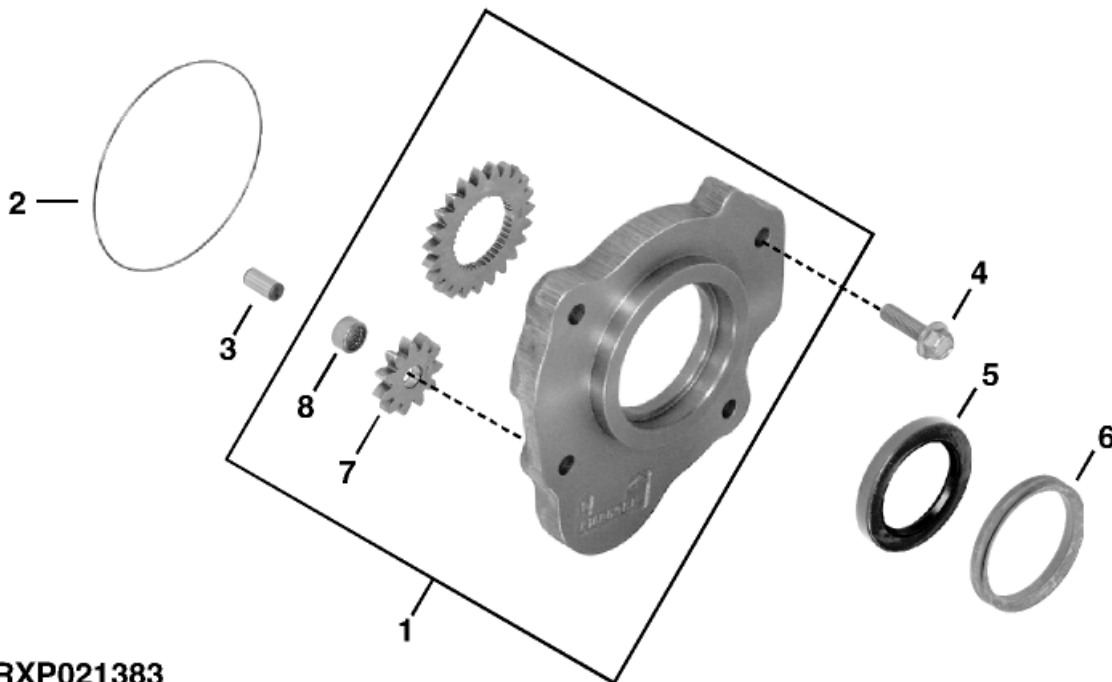
COUNTERSHAFT (TSN 8100,8200,8300,8400 020000-)
 ARBRE DE'ENVOI (TSN 8100,8200,8300,8400, 020000-)
 GEGENWELLE (TSN 8100,8200,8300,8400, 020000-)
 CONTRALBERO (TSN 8100,8200,8300,8400, 020000-)
 CONTRAEJE (TSN 8100,8200,8300,8400, 020000-)
 MELLANAXEL (TSN 8100,8200,8300,8400, 020000-)
 RE026014 -UN-13MAR95



RE026014

KEY	PART NO.	PART NAME	QTY	TRANSMISSION SERIAL NO.	A	REMARKS
					L	
1	R115171	SNAP RING	1		X	
2	R108437	GEAR	1		X	
3	R125196	NUT	1		X	
4	R91842	SCREW	1		X	
5	RE45399	ROLLER BEARING	1		X	
6	RE55581	SHAFT	1		X	
7	R1612R	DOWEL PIN	1		X	
8	R108573	THRUST WASHER	1		X	
9	R108447	GEAR	1		X	
10	R115171	SNAP RING	1		X	
11	RE70833	DRUM	1		X	
12	RE45374	PISTON	1		X	W/SEAL
13	R133095	DISK SPRING	5		X	
14	R26246	SNAP RING	1		X	
15	R108507	CLUTCH PLATE	5		X	
16	RE67458	DISK, WITH INNER SPLINE	5		X	
17	R108530	CLUTCH PLATE	1		X	
18	R99692	SNAP RING	1		X	
19	R132236	GEAR	1		X	
20	RE67948	BEARING	1		X	
21	R108496	SNAP RING	1		X	
22	R127196	GEAR	1		X	D-RANGE
23	RE70833	DRUM	1		X	
24	RE45374	PISTON	1		X	W/SEAL
25	R133095	DISK SPRING	5		X	
26	R26246	SNAP RING	1		X	
27	R108507	CLUTCH PLATE	5		X	
28	RE67458	DISK, WITH INNER SPLINE	5		X	
29	R108530	CLUTCH PLATE	1		X	
30	R99692	SNAP RING	1		X	
31	R132246	GEAR	1		X	
32	RE67948	BEARING	1		X	
33	R108496	SNAP RING	1		X	
34	R108460	GEAR	1		X	
35	R115171	SNAP RING	1		X	
36	R108459	GEAR	1		X	
37	R108573	THRUST WASHER	1		X	
38	RE45399	ROLLER BEARING	1		X	
39	R115508	RING	4		X	

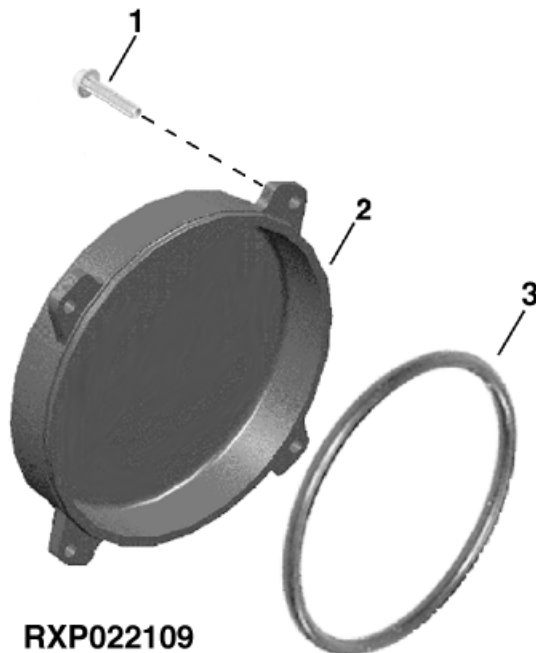
OIL PUMP (TSN 8100,8200,8300,8400 020000-)
 POMPE A HUILE (TSN 8100,8200,8300,8400, 020000-)
 OELPUMPE (TSN 8100,8200,8300,8400, 020000-)
 POMPA DELL'OLIO (TSN 8100,8200,8300,8400, 020000-)
 BOMBA DE ACEITE (TSN 8100,8200,8300,8400, 020000-)
 OLJEPUMP (TSN 8100,8200,8300,8400, 020000-)
 RXP021383 -UN-21NOV95



RXP021383

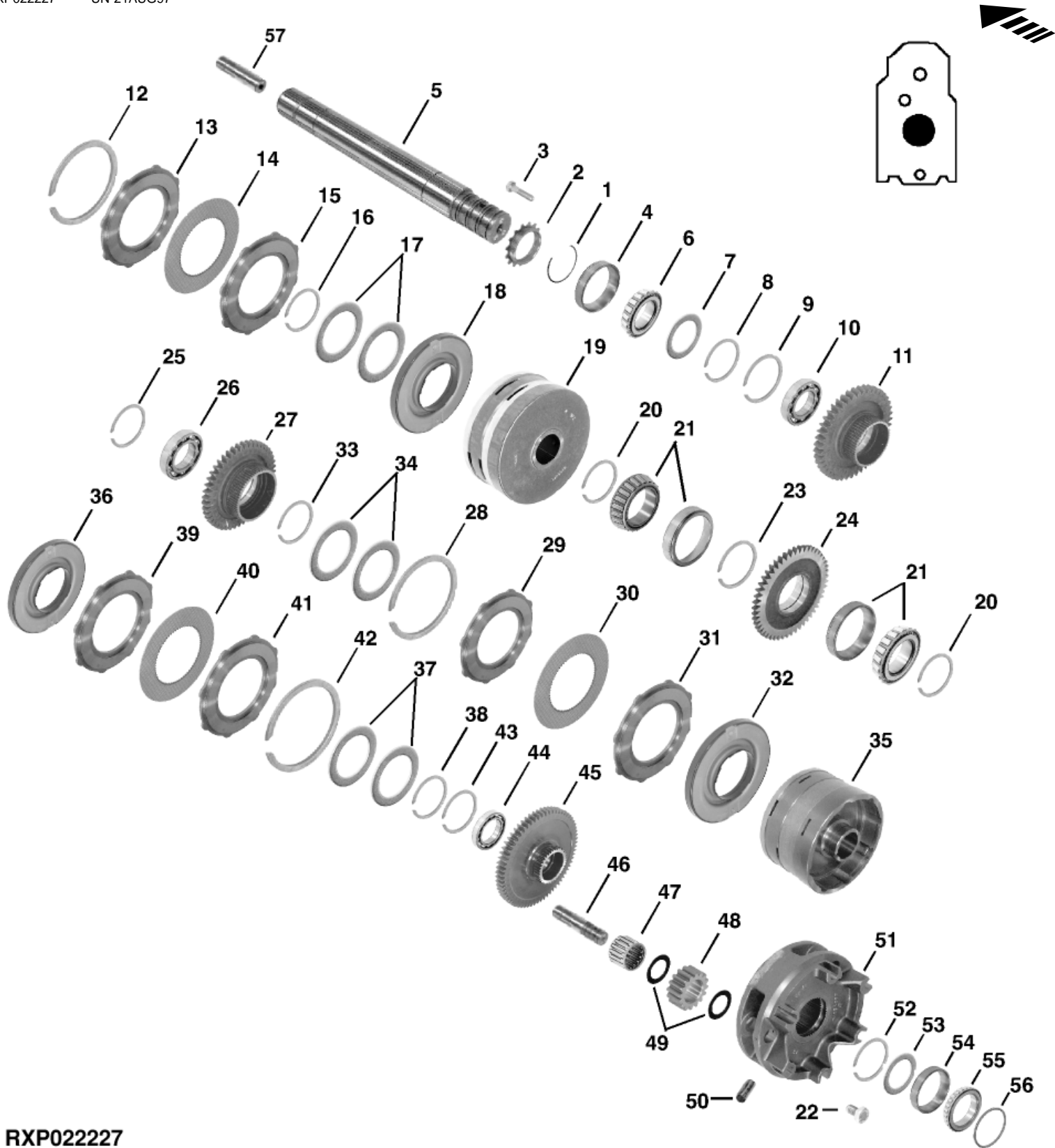
KEY	PART NO.	PART NAME	QTY	TRANSMISSION SERIAL NO.	A	REMARKS
					L	
1	RE63465	PUMP	1		X	(MARKED R134054)
2	R99039	O-RING	1		X	
3	R114219	SHAFT	1		X	
4	19M7835	SCREW	4		X	M10 X 35
5	RE32442	SEAL	1		X	
6	R119207	SEAL	1		X	
7	R108486	GEAR	1		X	
8	RE45406	NEEDLE BEARING	1		X	

TRANSMISSION COVER (W/O MFWD) (TSN 8100,8200,8300,8400 020000-)
 COUVERCLE DE TRANSMISSION (W/O MFWD) (TSN 8100,8200,8300,8400 020000-)
 GETRIEBEABDECKUNG (W/O MFWD) (TSN 8100,8200,8300,8400 020000-)
 COPERTURA DELLA TRANSMISSIONE (W/O MFWD) (TSN 8100,8200,8300,8400 020000-)
 CUBIERTA DE LA TRANSMISION (W/O MFWD) (TSN 8100,8200,8300,8400 020000-)
 KAAPA FOER TRANSMISSION (W/O MFWD) (TSN 8100,8200,8300,8400 020000-)
 RXP022109 -UN-07JUN97



KEY	PART NO.	PART NAME	QTY	TRANSMISSION SERIAL NO.	A		REMARKS
					L	L	
1	19M7789	SCREW	4		X		M12 X 30
2	R108569	COVER	1		X		
3	T39741	RING	1		X		

TRANSMISSION OUTPUT SHAFT (TSN 8100,8200,8300,8400 020000-)
 ARBRE DE SORTIE DE TRANSMISSION (TSN 8100,8200,8300,8400 020000-)
 GETRIEBEABTRIEBSWELLE (TSN 8100,8200,8300,8400 020000-)
 ALBERO DI USCITA DELLA TRASMISSIONE (TSN 8100,8200,8300,8400 020000-)
 EJE DE SALIDA DE LA TRANSMISION (TSN 8100,8200,8300,8400 020000-)
 TRANSMISSIONENS UTGAAENDE AXEL (TSN 8100,8200,8300,8400 020000-)
 RXP022227 -UN-21AUG97



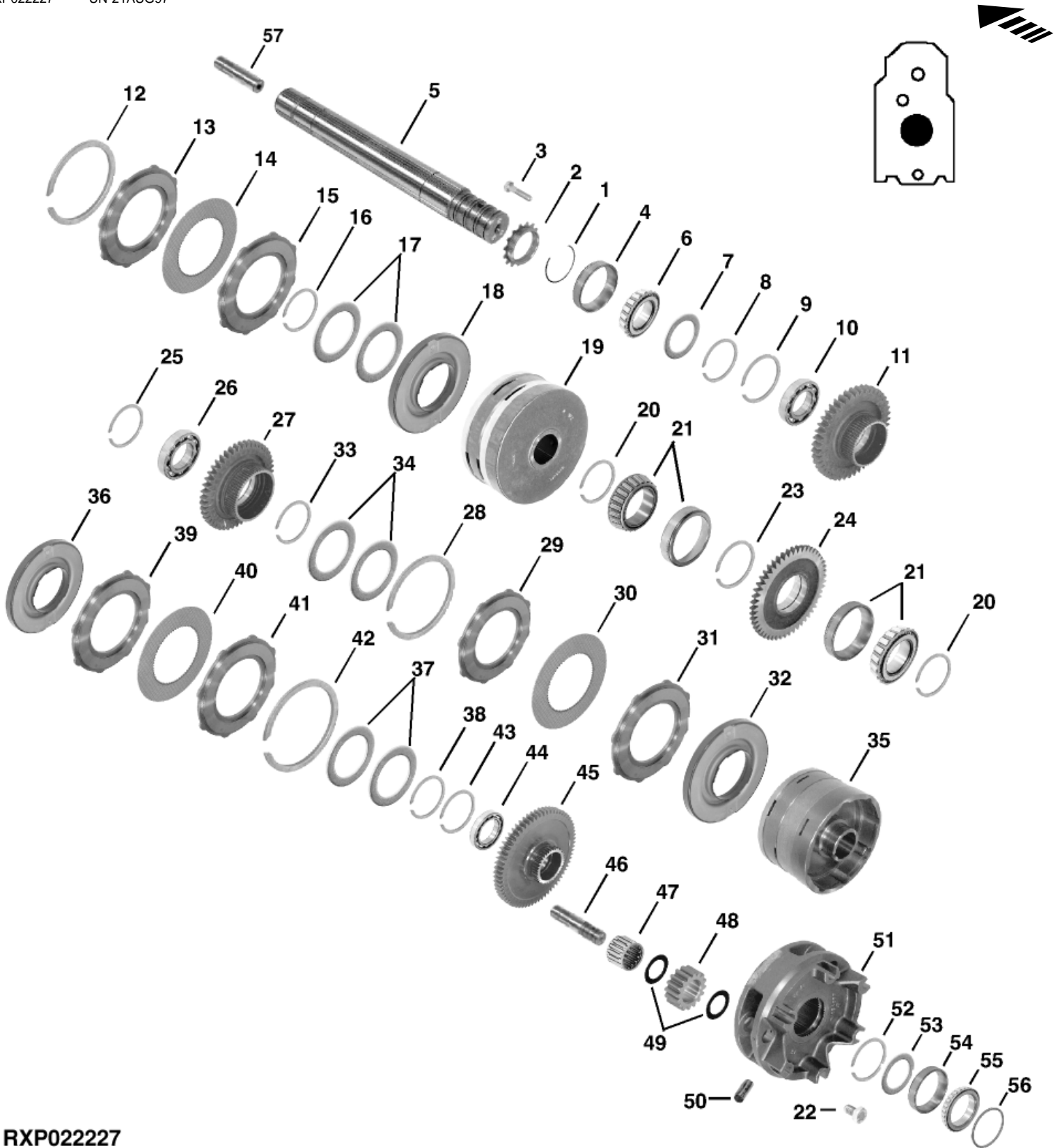
RXP022227

4110

POWER SHIFT TRANSMISSION

KEY	PART NO.	PART NAME	QTY	TRANSMISSION SERIAL NO.	A	REMARKS
					L	
1	R114345	SNAP RING	1		X	
2	R128775	NUT	1		X	
3	R91842	SCREW	1		X	
4	R108547	BEARING CUP	1		X	
5	RE150781	KIT	1		X	
	RE150608	VALVE	3		X	
	15H559	PIPE PLUG	3		X	1/4"
6	R108546	BEARING CONE	1		X	
7	R115331	THRUST WASHER	1		X	
8	R114345	SNAP RING	1		X	
9	R108496	SNAP RING	1		X	
10	RE67949	BALL BEARING	1		X	
11	R132250	GEAR	1		X	
12	R108512	SNAP RING	1		X	
13	R108511	CLUTCH PLATE	1		X	
14	RE67457	CLUTCH DISK	7		X	
15	R108509	CLUTCH PLATE	7		X	
16	R135364	SNAP RING	3		X	
17	R134075	DISK SPRING	7		X	
18	RE70838	PISTON	1		X	W/SEAL-3 GROOVES
19	R134986	DRUM	1		X	
20	R114345	SNAP RING	2		X	
21	R108546	BEARING CONE	2		X	
	R108547	BEARING CUP	2		X	
22	R122390	SELF-LOCKING SCREW	3		X	
23	R108528	SNAP RING	1		X	
24	R108449	GEAR	1		X	
25	R108496	SNAP RING	1		X	
26	RE67949	BALL BEARING	1		X	
27	R132249	GEAR	1		X	
28	R108512	SNAP RING	1		X	
29	R108511	CLUTCH PLATE	1		X	
30	RE67457	CLUTCH DISK	3		X	
31	R108509	CLUTCH PLATE	3		X	

TRANSMISSION OUTPUT SHAFT-CONTINUED (TSN 8100,8200,8300,8400 020000-)
 ARBRE DE SORTIE DE TRANSMISSION- A SUIVRE (TSN 8100,8200,8300,8400 020000-)
 GETRIEBEABTRIEBSWELLE-FORTE. (TSN 8100,8200,8300,8400 020000-)
 ALBERO DI USCITA DELLA TRASMISSIONE-CONTINUA (TSN 8100,8200,8300,8400 020000-)
 EJE DE SALIDA DE LA TRANSMISION-CONTINACION (TSN 8100,8200,8300,8400 020000-)
 TRANSMISSIONENS UTGAAENDE AXEL-FORTE. (TSN 8100,8200,8300,8400 020000-)
 RXP022227 -UN-21AUG97



RXP022227

4112

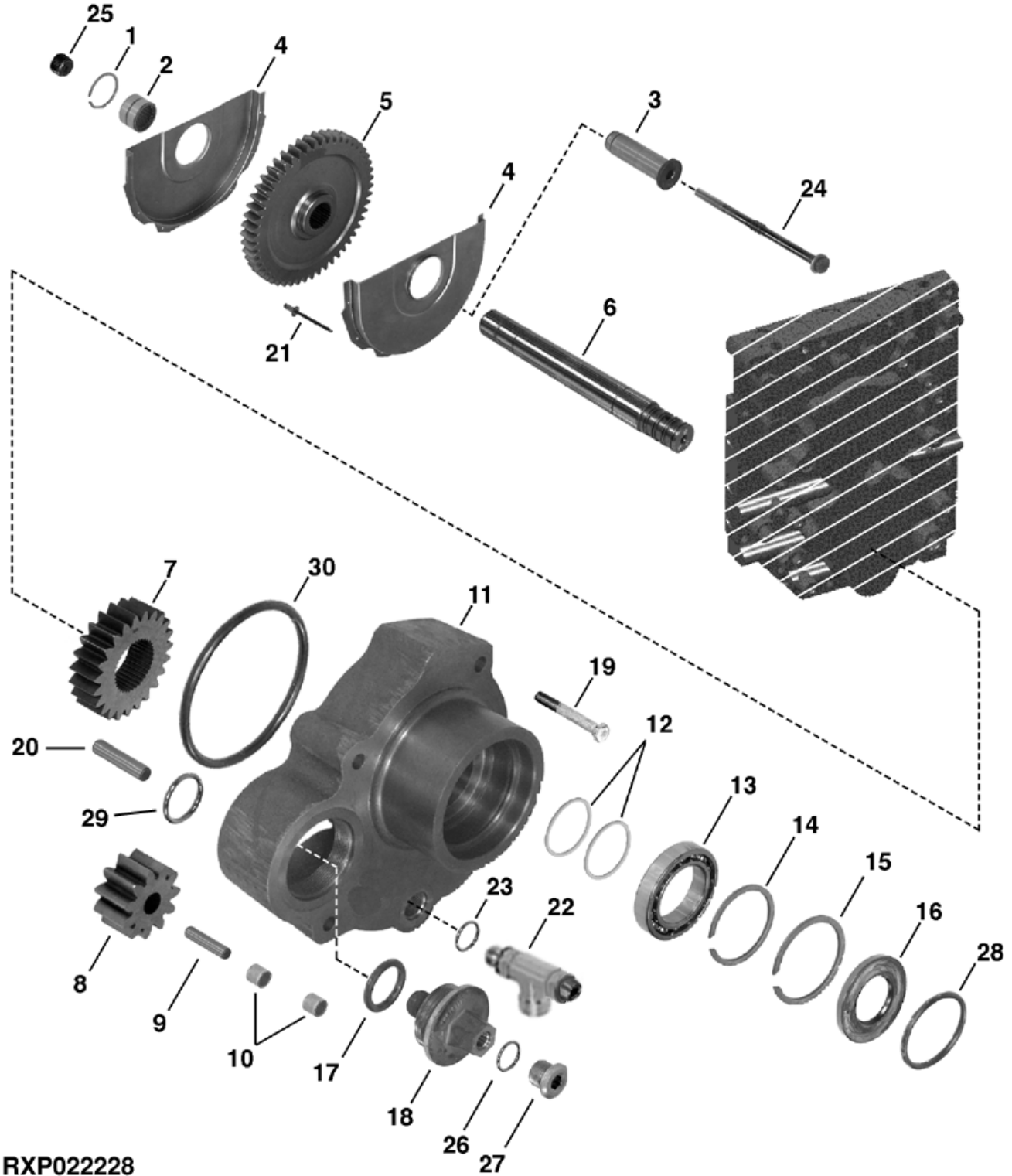
POWER SHIFT TRANSMISSION

KEY	PART NO.	PART NAME	QTY	TRANSMISSION SERIAL NO.	A	REMARKS
					L	
32	RE70838	PISTON	1		X	W/SEAL-3 GROOVES
33	R135364	SNAP RING	1		X	
34	R134075	DISK SPRING	5		X	
35	R135380	DRUM	1		X	C & D-RANGE
36	RE70838	PISTON	1		X	W/SEAL-3 GROOVES
37	R134075	DISK SPRING	7		X	
38	R124952	SNAP RING	1		X	
39	R108510	CLUTCH PLATE	7		X	
40	RE67457	CLUTCH DISK	7		X	
41	R108511	CLUTCH PLATE	1		X	
42	R108512	SNAP RING	1		X	
43	R108496	SNAP RING	1		X	
44	RE67949	BALL BEARING	1		X	
45	R132248	GEAR	1		X	C-RANGE Z=67
46	R108478	PINION SHAFT	3		X	
47	RE45410	NEEDLE BEARING	3		X	
48	R108473	PLANET PINION	3		X	
49	R108534	THRUST WASHER	6		X	
50	R122374	PIN	3		X	
51	R108469	PLANET PINION CARRIER	1		X	
52	R114345	SNAP RING	1		X	
53	R115331	THRUST WASHER	1		X	
54	R108547	BEARING CUP	1		X	
55	R108546	BEARING CONE	1		X	
56	R115507	RING	6		X	
57	N137598	SPRING PIN	1		X	

4113

POWER SHIFT TRANSMISSION

PTO SHAFT (TSN 8100,8200,8300,8400 020000-)
ARBRE DE PDF (TSN 8100,8200,8300,8400 020000-)
ZAPFWELLENSCHAFT (TSN 8100,8200,8300,8400 020000-)
ALBERO DELLA PTO (TSN 8100,8200,8300,8400 020000-)
EJE DE TDF (TSN 8100,8200,8300,8400 020000-)
KRAFTUTTAGSAXEL (TSN 8100,8200,8300,8400 020000-)
RXP022228 -UN-21AUG97



RXP022228

4114

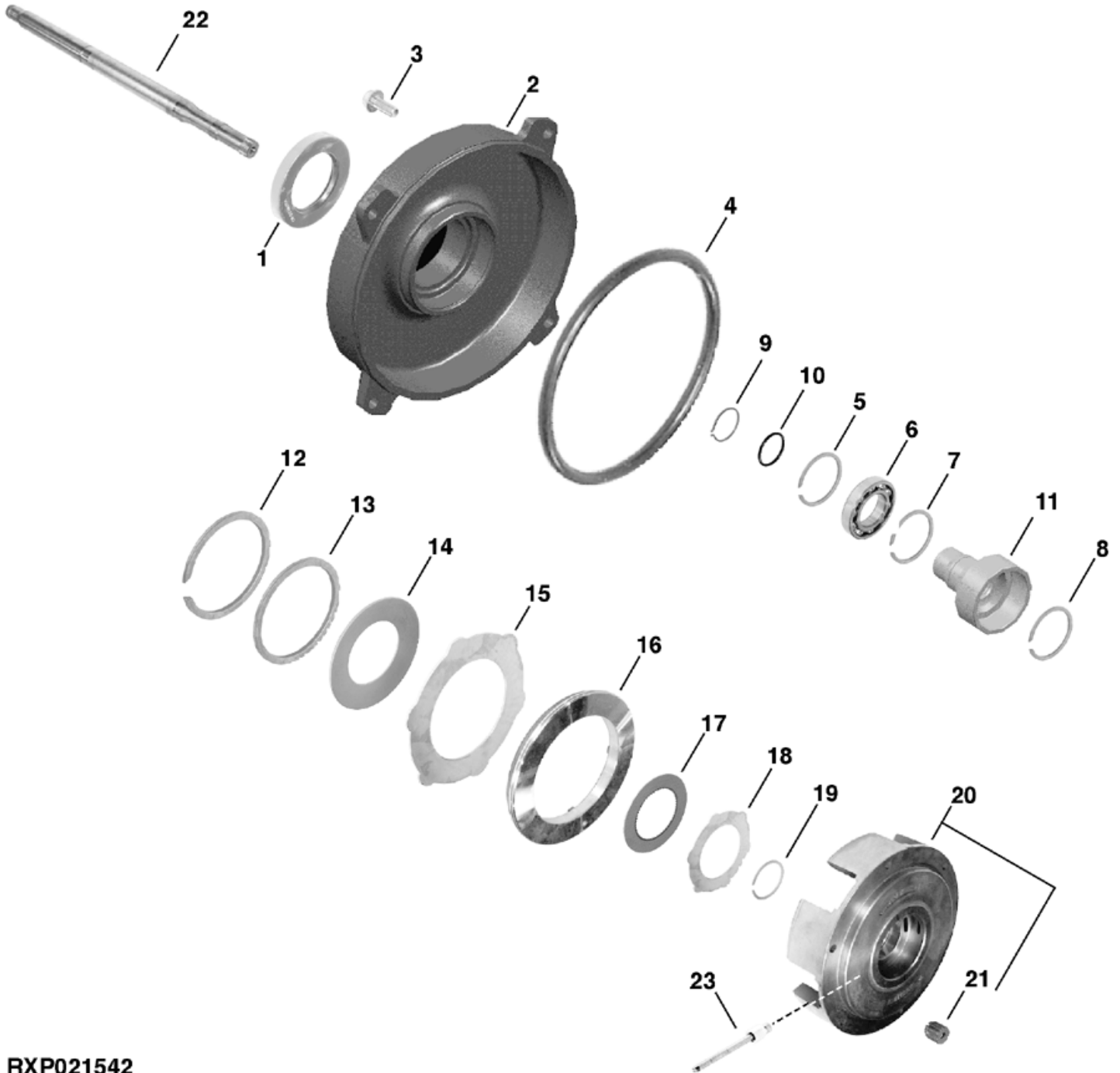
POWER SHIFT TRANSMISSION

KEY	PART NO.	PART NAME	QTY	TRANSMISSION SERIAL NO.	A	REMARKS
					L	
1	40M7201	SNAP RING	1		X	
2	RE57653	ROLLER BEARING	1		X	
3	R121603	SHAFT	1		X	
4	R108531	PTO POWR-GARD SHIELD	2		X	
5	R108471	GEAR	1		X	
6	R108508	SHAFT	1		X	
7	R108484	GEAR	1		X	
8	R108485	GEAR	1		X	
9	R115233	SHAFT	1		X	
10	JD10116	NEEDLE BEARING	2		X	
11	R108537	HOUSING	1		X	
12	R115508	RING	2		X	
13	JD8568	BALL BEARING	1		X	
14	R28640	SNAP RING	1		X	
15	40M7115	SNAP RING	1		X	
16	RE64427	SEAL	1	-026292	X	
	RE52341	SEAL	1	026293-	X	
17	H63262	O-RING	1		X	
18	R114108	PLUG	1		X	
19	19M7809	SCREW	4		X	M10 X 70
20	R28671	DOWEL PIN	2		X	
21	R126821	PIN	6		X	
22	38H5140	TEE FITTING	1		X	
23	51M7047	O-RING	1		X	
24	RE47959	BOLT	1		X	M12 X 1.75 HS 10.9
25	R125064	PIPE PLUG	1		X	
26	51M7042	O-RING	1		X	13.300 X 2.200 MM
27	RE52242	PLUG	1		X	
28	T121280	SEAL	1		X	
29	F3171R	O-RING	1		X	
30	N153493	O-RING	1		X	

4115

POWER SHIFT TRANSMISSION

MFWD CLUTCH (TSN 8100,8200,8300,8400 020000-)
EMBAYAGE DE TAM (TSN 8100,8200,8300,8400 020000-)
MF-KUPPLUNG (TSN 8100,8200,8300,8400 020000-)
FRIZIONE DELLA MFWD (TSN 8100,8200,8300,8400 020000-)
EMBRAGUE DE TDM (TSN 8100,8200,8300,8400 020000-)
MFHD-KOPPLING (TSN 8100,8200,8300,8400 020000-)
RXP021542 -UN-20JUN96



RXP021542

4116

POWER SHIFT TRANSMISSION

KEY	PART NO.	PART NAME	QTY	TRANSMISSION SERIAL NO.	A	REMARKS
					L	
1	AH89023	SEAL	1		X	
2	R131811	COVER	1		X	(A)
	R108569	COVER	1		X	(B)
3	19M7789	SCREW	4		X	M12 X 30, HS 10.9
4	T39741	RING	1		X	
5	T44824	SNAP RING	1		X	
6	RE67948	BEARING	1		X	
7	R108496	SNAP RING	1		X	
8	L1610N	SNAP RING	1		X	
9	R124576	SNAP RING	1		X	
10	U10289	O-RING	1		X	
11	R108519	HUB	1		X	
12	R108526	SNAP RING	1		X	
13	R108533	RETAINER	1		X	
14	R108525	DISK SPRING	1		X	
15	R108521	PLATE	1		X	
16	RE155037	SEAL	1		X	(SUB FOR R108520)
17	RE67458	DISK, WITH INNER SPLINE	6		X	
18	R108507	CLUTCH PLATE	6		X	
19	R114345	SNAP RING	1		X	
20	RE69122	DRUM	1		X	(MARKED R108517)
21	RE45393	VALVE SEAT	1		X	
22	R130895	SHAFT	1		X	
23	AT107509	PLUG	1		X	

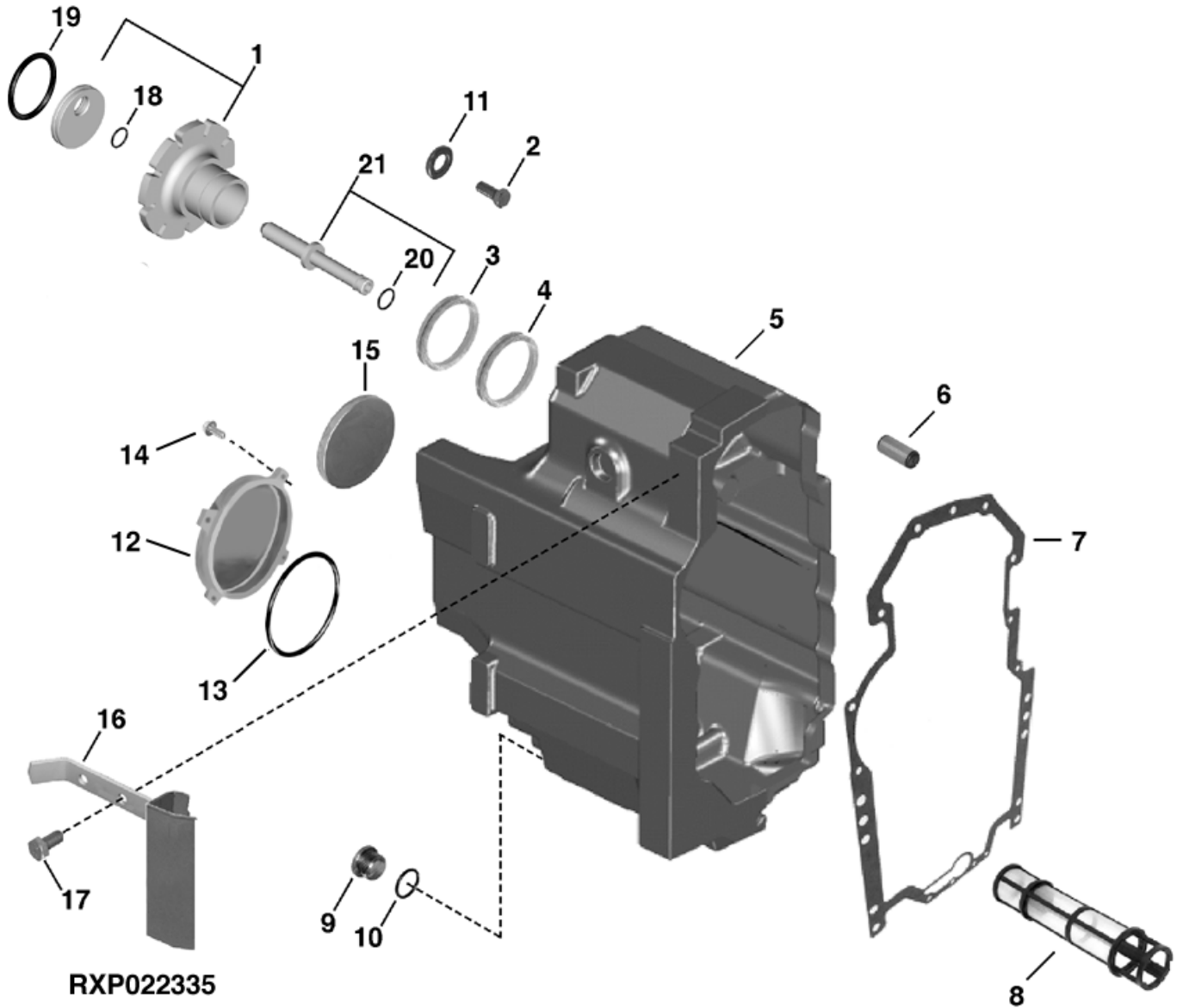
(A)MECHANICAL FRONT WHEEL DRIVE
 TRACTION AVANT MECANIQUE
 MECHANISCHER FRONTANTRIEB
 TRAZIONE ANTERIORE MECANNICA
 TRACCION DELANTERA
 MEKANISK FRAMHJULSDRIVNING

(B)W/O MECHANICAL FRONT WHEEL DRIVE
 W/O TRACTION AVANT MECANIQUE
 W/O MECHANISCHER FRONTANTRIEB
 W/O TRAZIONE ANTERIORE MECANNICA
 W/O TRACCION DELANTERA
 W/O MEKANISK FRAMHJULSDRIVNING

4117

POWER SHIFT TRANSMISSION

TRANSMISSION CASE (TSN 8100,8200,8300,8400 020000-)
CARTER DE TRANSMISSION (TSN 8100,8200,8300,8400 020000-)
GETRIEBEGEHAUSE (TSN 8100,8200,8300,8400 020000-)
SCATOLA DELLA TRASMISSIONE (TSN 8100,8200,8300,8400 020000-)
CAJA DE TRANSMISION (TSN 8100,8200,8300,8400 020000-)
TRANSMISSIONSKAAPA (TSN 8100,8200,8300,8400 020000-)
RXP022335 -UN-23OCT97



RXP022335

4118

POWER SHIFT TRANSMISSION

KEY	PART NO.	PART NAME	QTY	TRANSMISSION SERIAL NO.	A	REMARKS
					L	
1	RE70206	HUB	1		X	
2	19M7789	SCREW	9		X	M12 X 30, HS 10.9
3	R130561	V-RING SEAL	1		X	
4	RE158066	SEAL	1		X	(SUB FOR RE13181, THIS APPLICATION)
5	R136157	TRANSMISSION CASE	1		X	
6	R48685	DOWEL PIN	2		X	
7	R132860	GASKET	1		X	
8	RE45369	SCREEN	1		X	
9	R98012	PLUG	1		X	
10	P47889	O-RING	1		X	
11	24M7240	WASHER	9		X	
12	R108569	COVER	1		X	(A)
13	T39741	RING	1		X	
14	19M7789	SCREW	4		X	M12 X 30, HS 10.9
15	R108503	PLUG	1		X	
16	R120133	SUPPORT	1		X	RH
	RE62562	BRACKET	1		X	LH
17	19M7166	CAP SCREW	4		X	M10 X 20
18	F3353R	O-RING	1		X	
19	R132237	O-RING	1		X	
20	R132239	O-RING	1		X	
21	RE71323	BREATHER	1		X	

(A)W/O MECHANICAL FRONT WHEEL DRIVE
W/O TRACTION AVANT MECANIQUE
W/O MECHANISCHER FRONTANTRIEB
W/O TRAZIONE ANTERIORE MECANNICA
W/O TRACCION DELANTERA
W/O MEKANISK FRAMHJULSDRIVNING

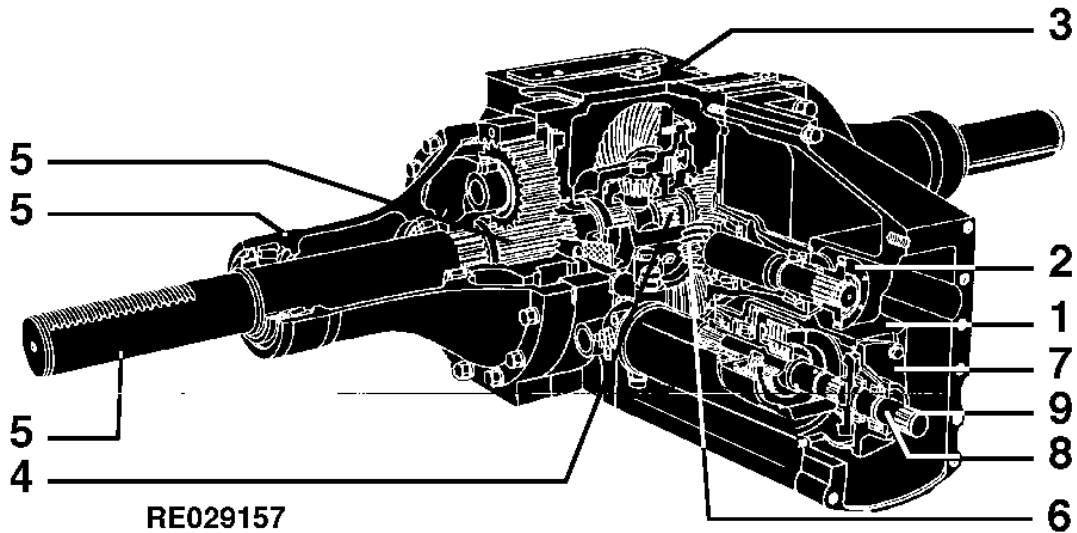
MEMORANDA
MEMORANDA
MEMORANDA
MEMORANDA
MEMORANDA

5D3

SECTIONAL INDEX
INDEX DE SECTION
GRUPPENINDEX
INDICE DELLA SEZIONE
INDICE DE SECCION
GRUPPSFORTECKNING

RE029157 -UN-10MAY99

1-	5D5
2-	5D11
3-	5D13
4-	5D15
5-	5D17
6-	5D25
7-	5E1
8-	5E3
9-	5E5



5D4

DIFFERENTIAL & PTO

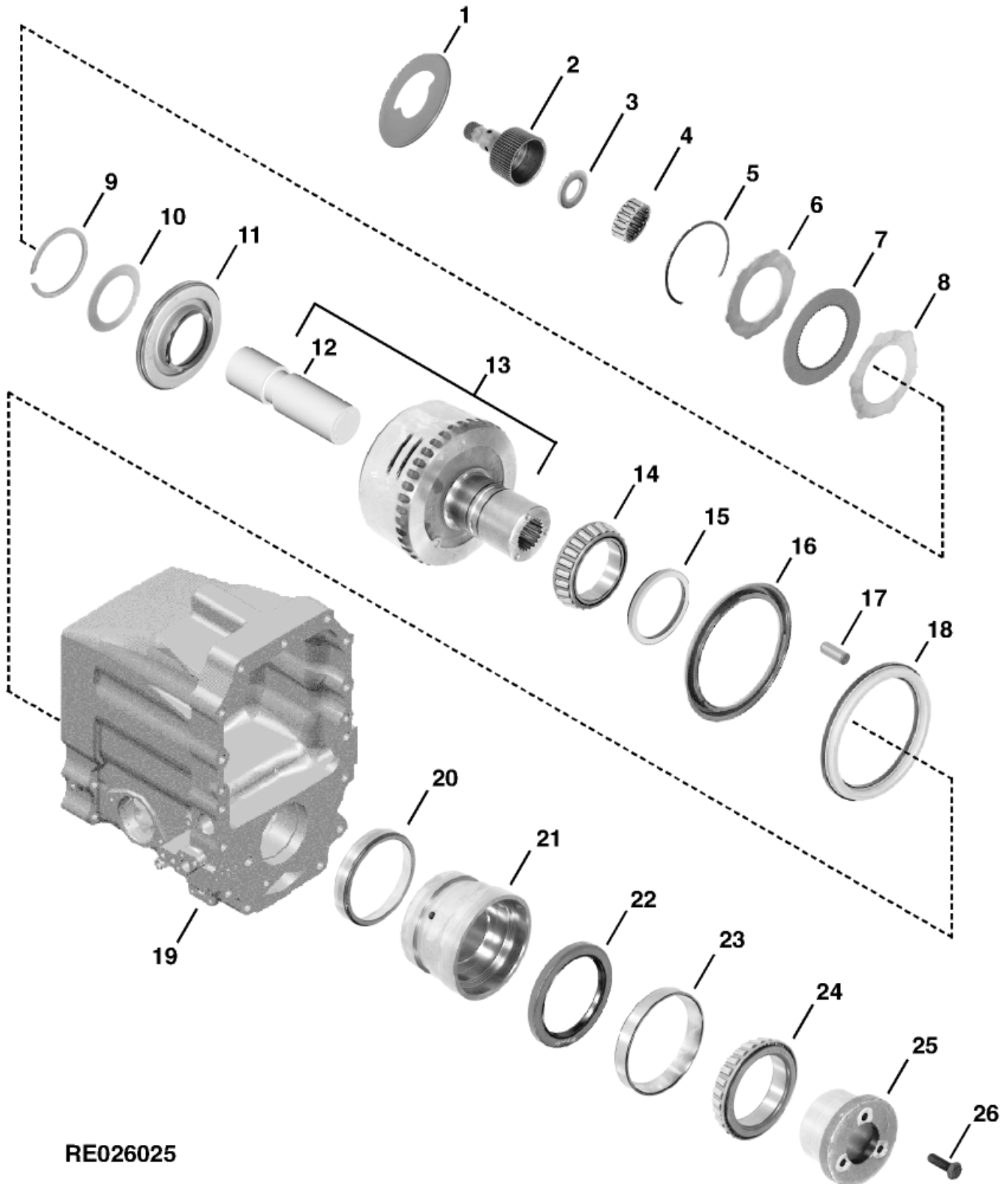
SECTIONAL INDEX
INDEX DE SECTION
GRUPPENINDEX
INDICE DELLA SEZIONE
INDICE DE SECCION
GRUPPSFORTECKNING

MEMORANDA
MEMORANDA
MEMORANDA
MEMORANDA
MEMORANDA

5D5

DIFFERENTIAL & PTO

PTO CLUTCH
EMBRAYAGE DE LA PDF AVANT
VORDERE ZAPFWELLE, KUPPLUNG
FRIZIONE DELLA PTO ANTERIORE
EMBRAGUE DE LA TDF DELANTERA
KOPPLING FOER FRAEMRE KRAFTUTTAG
RE026025 -UN-10SEP95



RE026025

5D6

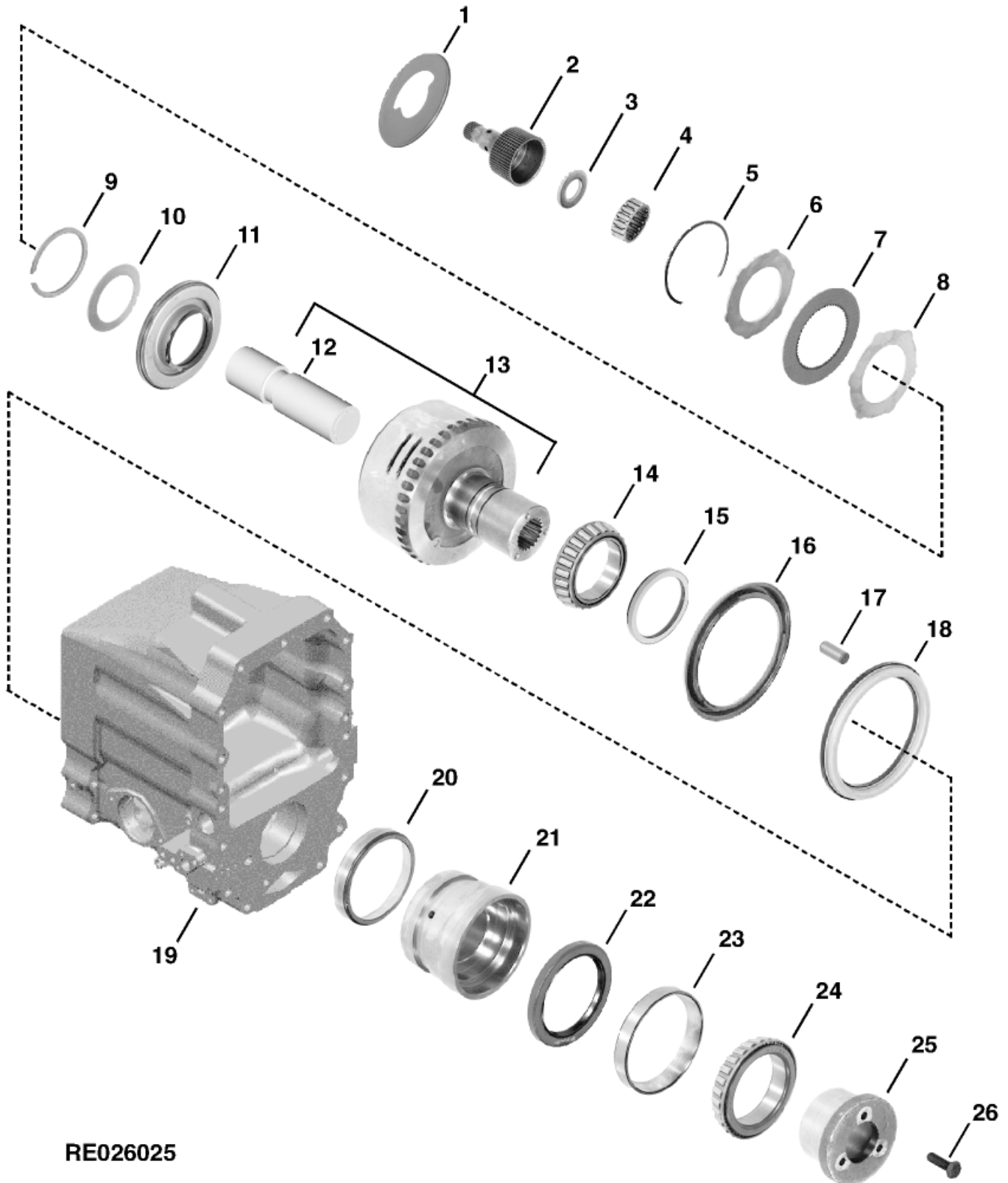
DIFFERENTIAL & PTO

KEY	PART NO.	PART NAME	QTY	AXLE		REMARKS
				SERIAL NO.		
				8	8	
				1	2	
				0	0	
				0	0	
1	R115403	DEFLECTOR	1	X	X	
2	R108580	HUB	1	X	X	
3	R119527	THRUST WASHER	1	X	X	
4	JD8870	NEEDLE BEARING	1	X	X	
5	R99692	SNAP RING	1	X	X	
6	R108530	CLUTCH PLATE	1	X	X	
7	RE67458	DISK, WITH INNER SPLINE	6	X	X	(SUB FOR AR94516, THIS APPLICATION)
8	R108507	CLUTCH PLATE	6	X	X	
9	C19243	SNAP RING	1	X	X	
10	R113435	DISK SPRING	9	X	X	
11	RE45374	PISTON	1	X	X	W/SEAL
12	R112314	SLEEVE	1	X	X	
13	RE55025	DRUM	1	X	X	
14	JD9075	BEARING CONE	1	X	X	
15	R112315	RING	2	X	X	
16	RE50747	BRAKE DISK	1	X	X	
17	R27302	DOWEL PIN	2	X	X	
18	R112313	PISTON	1	X	X	
19	RE164598	HOUSING	1	X	X	(SUB FOR R122901)
20	JD9132	BEARING CUP	1	X	X	
21	R115450	SLEEVE	1	X	X	
22	RE69802	SEAL	1	X	X	
23	JD8213	BEARING CUP	1	X	X	
24	JD8177	BEARING CONE	1	X	X	
25	R115451	QUILL	1	X	X	
26	19M7163	CAP SCREW	3	X	X	M8 X 25

5D7

DIFFERENTIAL & PTO

PTO CLUTCH
EMBRAYAGE DE LA PDF AVANT
VORDERE ZAPFWELLE, KUPPLUNG
FRIZIONE DELLA PTO ANTERIORE
EMBRAGUE DE LA TDF DELANTERA
KOPPLING FOER FRAEMRE KRAFTUTTAG
RE026025 -UN-10SEP95



RE026025

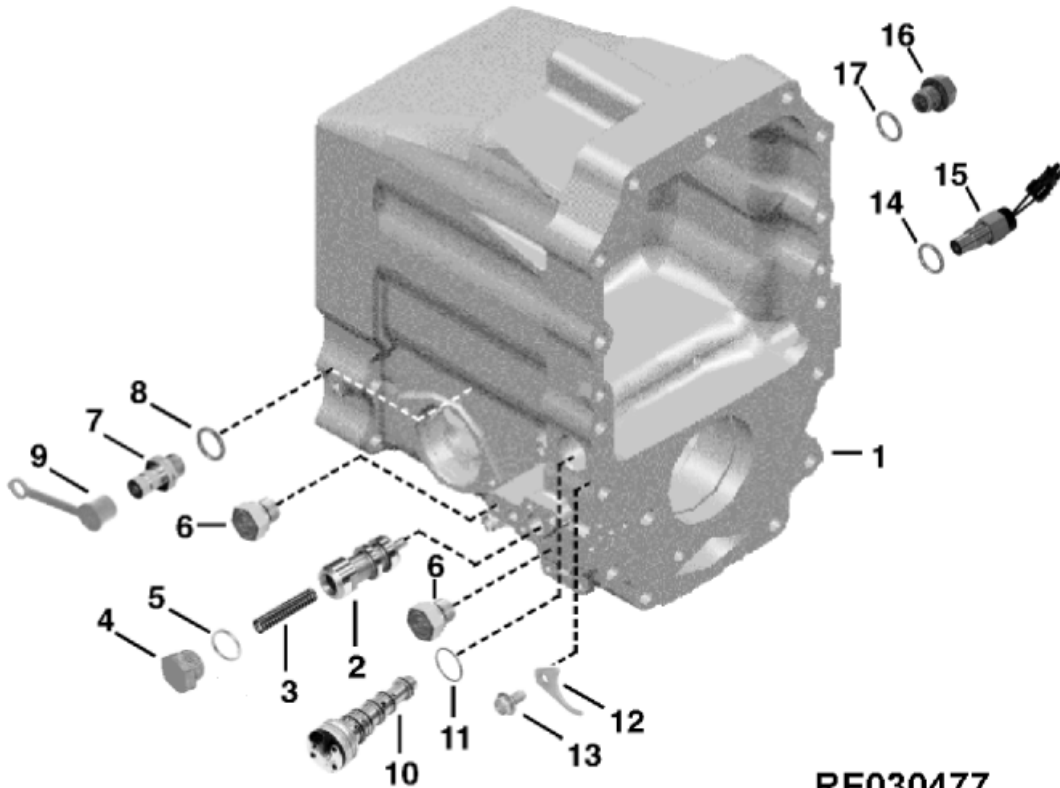
5D8

DIFFERENTIAL & PTO

KEY	PART NO.	PART NAME	QTY	AXLE		REMARKS
				SERIAL NO.		
				8	8	
				3	4	
				0	0	
				0	0	
1	R115403	DEFLECTOR	1	X	X	
2	R108580	HUB	1	X	X	
3	R119527	THRUST WASHER	1	X	X	
4	JD8870	NEEDLE BEARING	1	X	X	
5	R99692	SNAP RING	1	X	X	
6	R108530	CLUTCH PLATE	1	X	X	
7	RE67458	DISK, WITH INNER SPLINE	8	X	X	(SUB FOR AR94516, THIS APPLICATION)
8	R108507	CLUTCH PLATE	8	X	X	
9	C19243	SNAP RING	1	X	X	
10	R113435	DISK SPRING	9	X	X	
11	RE45374	PISTON	1	X	X	W/SEAL
12	R112314	SLEEVE	1	X	X	
13	RE52228	DRUM	1	X	X	
14	JD9075	BEARING CONE	1	X	X	
15	R112315	RING	2	X	X	
16	RE50747	BRAKE DISK	1	X	X	
17	R27302	DOWEL PIN	2	X	X	
18	R112313	PISTON	1	X	X	
19	RE164598	HOUSING	1	X	X	(SUB FOR R122901)
20	JD9132	BEARING CUP	1	X	X	
21	R115450	SLEEVE	1	X	X	
22	RE69802	SEAL	1	X	X	
23	JD8213	BEARING CUP	1	X	X	
24	JD8177	BEARING CONE	1	X	X	
25	R115451	QUILL	1	X	X	
26	19M7163	CAP SCREW	3	X	X	M8 X 25

5D9

PTO VALVES AND FITTINGS
PDF, SOUPAPES ET RACCORDS
ZAPFWELLE, VENTILE UND VERSCHRAUBUNGEN
PRESA DI FORZA, VALVOLE E RACCORDI
TDF, VALVULAS Y ADAPTADORES
KRAFTUTTAG, VENTILER OCH FOERSKRUVNINGAR
RE030477 -UN-15APR99



RE030477

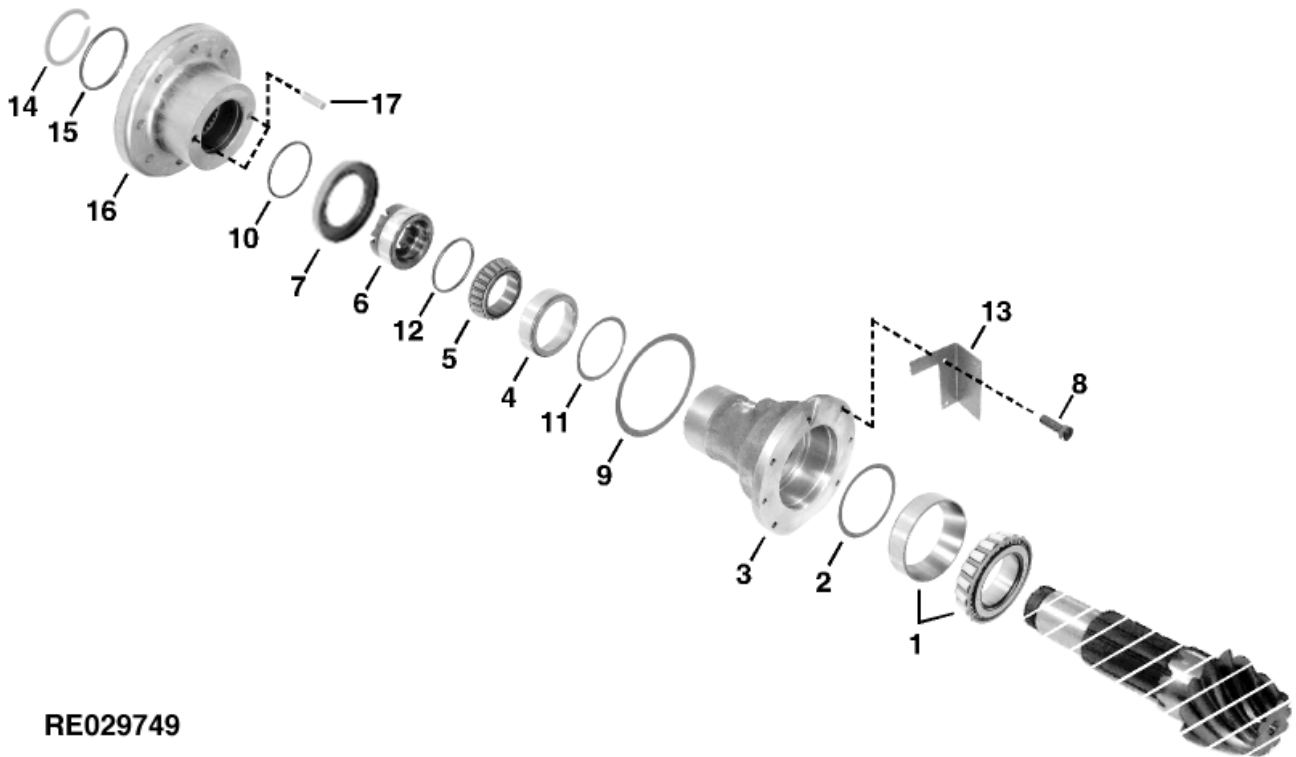
5D10

DIFFERENTIAL & PTO

KEY	PART NO.	PART NAME	QTY	AXLE SERIAL NO.	A L L	REMARKS
1	RE164598	HOUSING	1		X	(SUB FOR R122901)
2	R112316	VALVE	1		X	
3	R42057	SPRING	1		X	
4	R27175	DRAIN PLUG	1		X	
	R70534	PIPE PLUG	1		X	(USE WITH F3171)
5	F3171	O-RING	1		X	
6	RE46684	PLUG	2		X	
7	RE12187	RECEPTACLE	1		X	
8	51M7041	O-RING	1		X	11.300 X 2.200 MM
9	R77175	COVER	1		X	
10	RE55461	VALVE	1	-XXXXXX	X	(ALSO ORDER U11326, U41966, R106663, R62070, R27928 AND P42061)
	RE71489	VALVE	1	XXXXXX-XXXXXX	X	(ALSO ORDER U11326, U41966, R106663, R62070, R27928 AND P42061)
	RE150945	VALVE	1	XXXXXX-XXXXXX	X	(ALSO ORDER T143166, U41966, R106663, R62070, R27928 AND P42061)
	RE155966	VALVE	1	XXXXXX-	X	(ALSO ORDER U11326, U41966, R106663, R62070, R27928 AND P42061)
11	U41966	O-RING	1		X	
12	R95045	CLAMP	1		X	
13	19M7784	SCREW	1		X	M10 X 20
14	51M7044	O-RING	1		X	W/PTO
15	RE71121	SENSOR	1		X	W/PTO, (SUB FOR RE43511)
16	RE501938	PLUG	1		X	W/O PTO, (SUB FOR R101085)
17	51M7044	O-RING	1		X	17.300 X 2.200 MM, W/O PTO

5D11

INPUT HOUSING
CARTER D'ENTREE
EINGANGSGEHAUSE
SCATOLA DI INGRESSO
CAJA DE ENTRADA
INGAANGSHUS
RE029749 -UN-18JUN98



RE029749

5D12

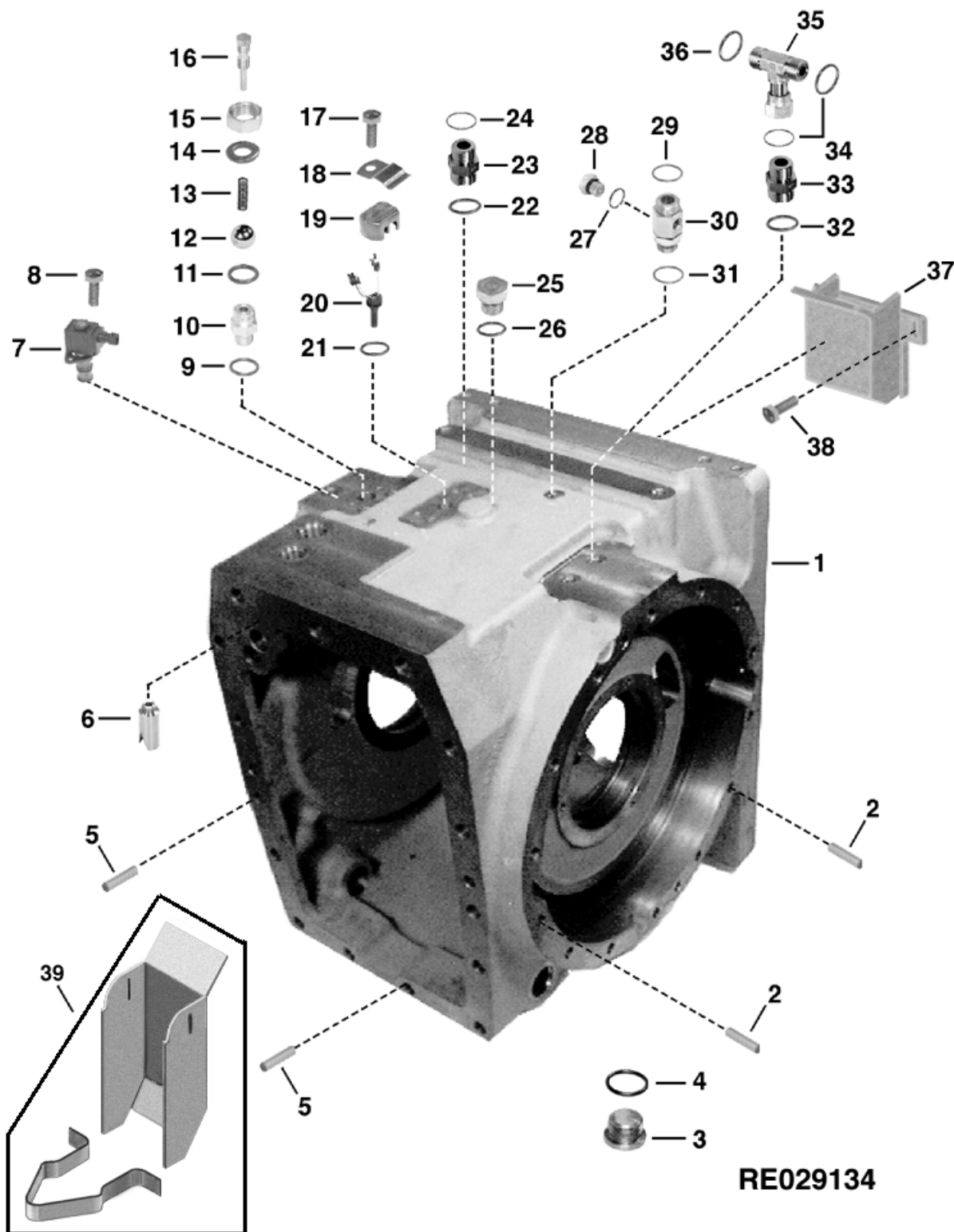
DIFFERENTIAL & PTO

KEY	PART NO.	PART NAME	QTY	AXLE SERIAL NO.	A L L	REMARKS
1	RE48761	ROLLER BEARING	1		X	
2	R81362	SHIM	2		X	
	R81363	SHIM	2		X	
	R81364	SHIM	2		X	
3	R112906	QUILL	1		X	
4	JD8255	BEARING CUP	1		X	
5	JD8941	BEARING CONE	1		X	
6	R113547	NUT	1		X	
7	RE40296	SEAL	1		X	
8	R132326	CAP SCREW	4		X	
9	U10624	O-RING	1		X	
10	R113668	BACK-UP RING	1		X	
11	R58255	SHIM	2		X	
	R58256	SHIM	2		X	
	R58257	SHIM	2		X	
	R58258	SHIM	2		X	
12	U42111	O-RING	1		X	
13	R116402	DEFLECTOR	1		X	
14	P46770	SNAP RING	1		X	
15	P50631	O-RING	1		X	
16	R108558	YOKE	1		X	
17	R116713	NEEDLE ROLLER	2		X	

5D13

DIFFERENTIAL & PTO

DIFFERENTIAL CASE
CARTER DE DIFFERENTIEL
DIFFERENTIALGEHAEUSE
SCATOLA DEL DIFFERENZIALE
CAJA DEL DIFERENCIAL
DIFFERENTIALKAAPA
RE029134 -UN-06MAR98



RE029134

5D14

DIFFERENTIAL & PTO

KEY	PART NO.	PART NAME	QTY	AXLE SERIAL NO.	A L L	REMARKS
1	RE62765	CASE	1	-023257	X	(MARKED R109528, R114238 OR R126506) (ALSO ORDER (6) 24M7242) (SUB RE150629, R150627 AND R150628)
	RE150629	CASE	1	023258-	X	(MARKED R150626)
2	R54380	DOWEL PIN	2		X	
3	R84262	FITTING PLUG	1		X	
4	F3171R	O-RING	1		X	
5	R54380	DOWEL PIN	2		X	
6	R125700	TUBE	1	-023257	X	
	R132574	TUBE	1	023258-	X	
7	RE52319	SOLENOID VALVE	1		X	
	R109690	CLAMP	1		X	
8	19M7560	CAP SCREW	2		X	M6 X 16
9	R26448	O-RING	2		X	
10	38H1160	ADAPTER	2		X	
11	T77613	O-RING	2		X	
12	R42849	BALL	2		X	
13	R39208	SPRING	2		X	
14	R27136	WASHER	2		X	
15	R26572	NUT	2		X	14.275 MM
16	R84015	SCREW	2		X	
17	19M7167	CAP SCREW	1		X	M10 X 25
18	R66477	CLAMP	1		X	
19	R69185	CAP	1		X	
20	RE56950	WHEEL SPEED SENSOR	1		X	
21	R375R	O-RING	1		X	
22	51M7043	O-RING	1		X	15.300 X 2.200 MM
23	38H5003	ADAPTER	1		X	
24	T77857	O-RING	1		X	
25	RE46685	PLUG	1		X	
26	51M7043	O-RING	1		X	15.300 X 2.200 MM
27	51M7043	O-RING	1		X	15.300 X 2.200 MM
28	RE46685	PLUG	1		X	(A)
29	T77857	O-RING	1		X	
30	RE58409	CONNECTOR	1		X	
31	51M7048	O-RING	1		X	
32	51M7043	O-RING	1		X	15.300 X 2.200 MM
33	38H5003	ADAPTER	1		X	
34	R26448	O-RING	2		X	
35	38H5059	TEE FITTING	1		X	
36	R26448	O-RING	1		X	
37	R150627	DEFLECTOR	1	023258-	X	
38	R150628	CAP SCREW	2	023258-	X	
39	RE154099	KIT	1		X	
..	UN7189	SEALANT	1		X	(SUB TY16021)

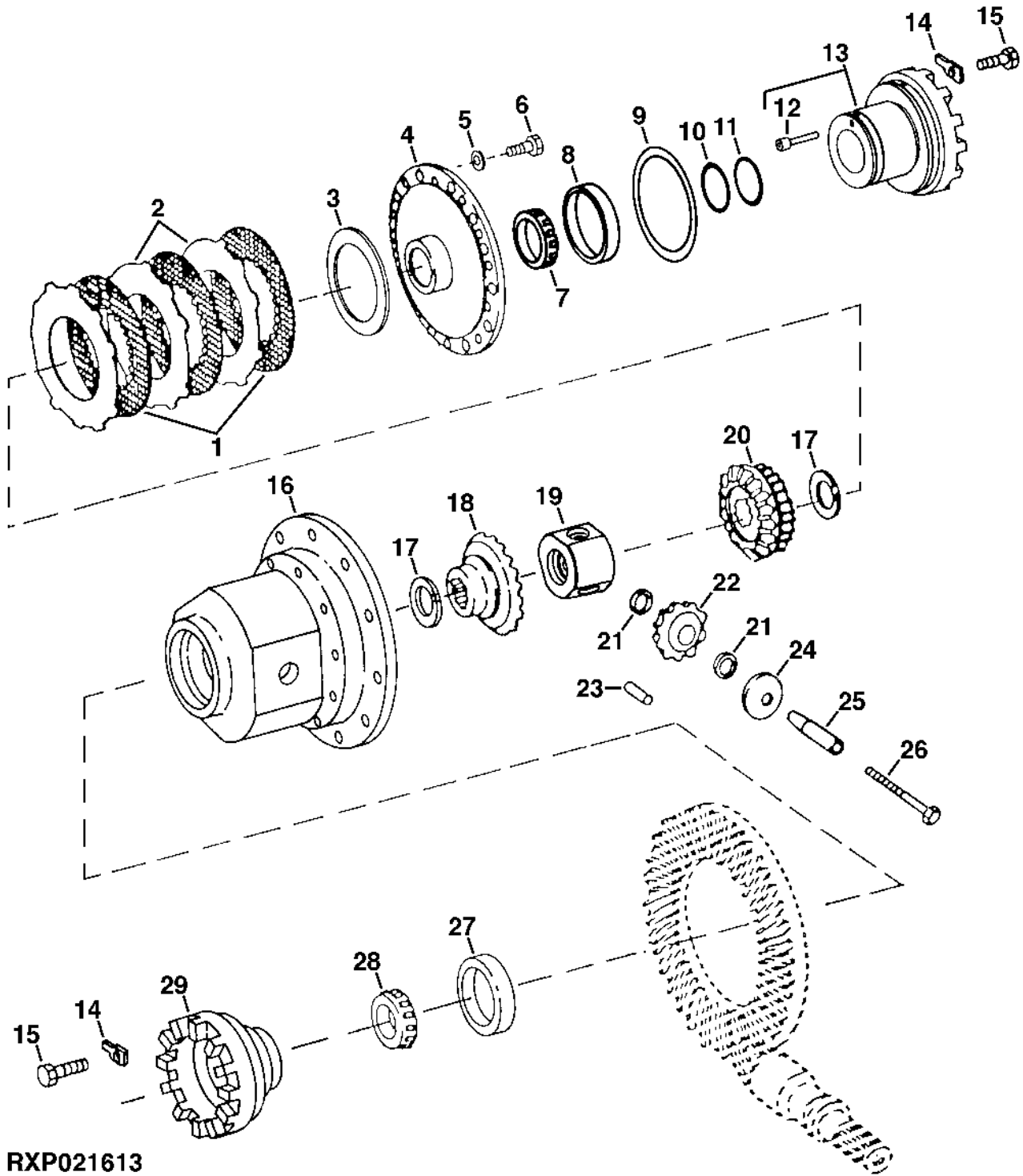
(A) W/O HITCH
W/O ATTELAGE
W/O ANHAENGEVORRICHTUNG
W/O ATTACCO
W/O ENGANCHE
W/O DRAG

5D15

DIFFERENTIAL & PTO

DIFFERENTIAL
DIFFERENTIEL
DIFFERENTIAL
DIFFERENZIALE
DIFERENCIAL
DIFFERENTIAL

RXP021613 -UN-21JUN96



RXP021613

5D16

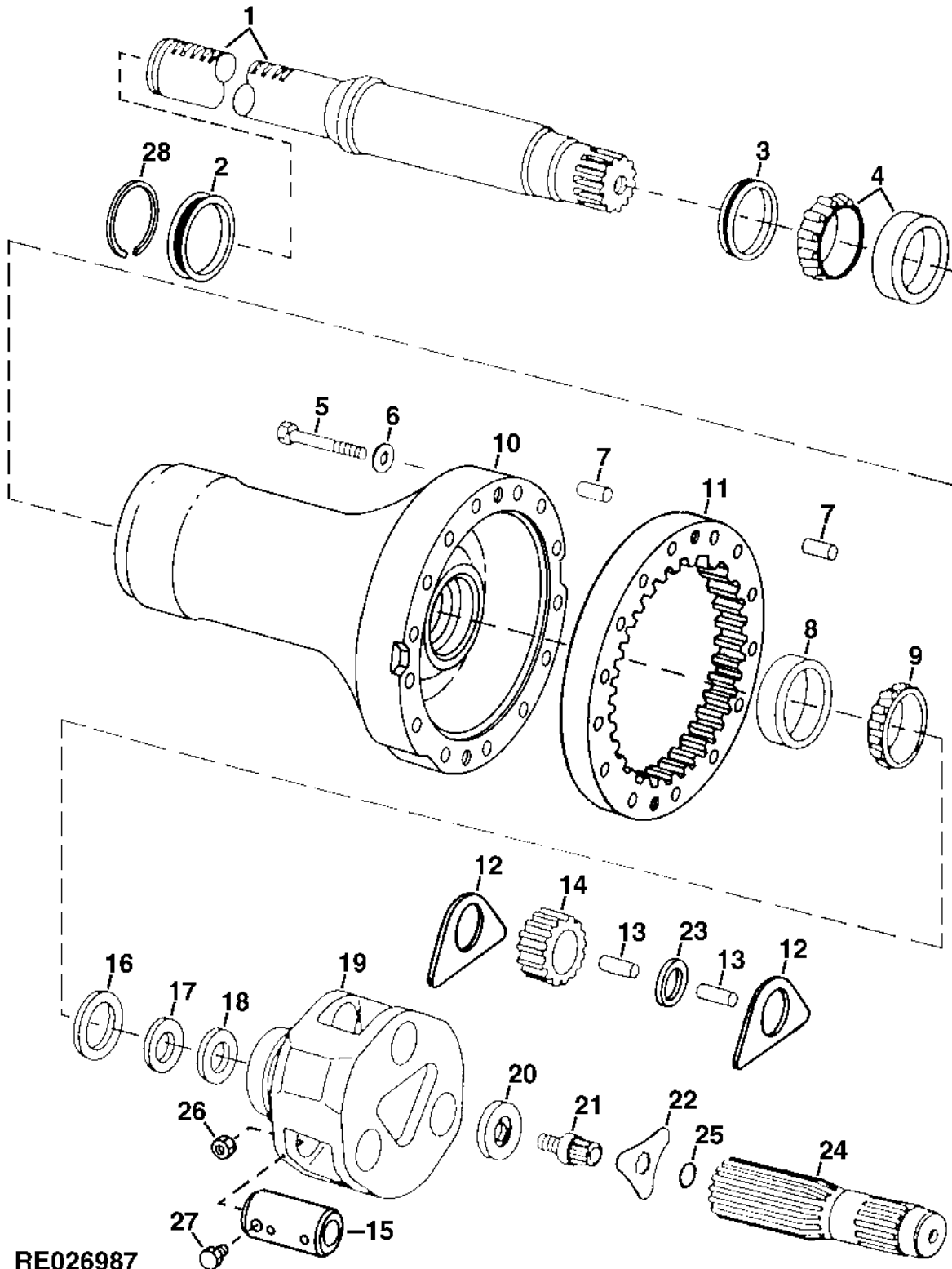
DIFFERENTIAL & PTO

KEY	PART NO.	PART NAME	QTY	AXLE SERIAL NO.	A L L	REMARKS
1	RE46800	DISK, WITH INNER SPLINE	3	-011593	X	(SUB RE64004) (ALSO ORDER R128328)
	RE64004	DISK, WITH INNER SPLINE	3	011594-	X	
2	R109486	CLUTCH DISK	3		X	
3	R109483	PISTON	1		X	
4	R109481	COVER	1		X	
5	R135543	WASHER	12		X	
6	R119211	SCREW	12		X	
7	JD9069	BEARING CONE	1		X	
8	JD9127	BEARING CUP	1		X	
9	R119126	RING	2		X	
10	R59384	RING	1		X	
11	R84609	O-RING	1		X	
12	AT107509	PLUG	1		X	
13	RE64806	QUILL	1		X	(MARKED R109487)
14	R109822	LOCK PLATE	2		X	
15	R88246	CAP SCREW	2		X	(SUB FOR R84570)
16	R109480	HOUSING	1		X	
17	R99466	THRUST WASHER	2		X	
18	R109489	BEVEL GEAR	1		X	
19	R129557	HUB	1		X	(SUB FOR R126002)
20	R109488	GEAR	1	-011593	X	(SUB R128328) (ALSO ORDER (3) RE64004)
	R128328	GEAR	1	011594-	X	
21	R68167	WASHER	6		X	
22	R134733	PINION	3		X	(SUB FOR R67784)
23	R55081	NEEDLE ROLLER	18		X	
24	R68166	THRUST WASHER	3		X	
25	R115566	SHAFT	3		X	
26	R115567	CAP SCREW	3		X	
27	JD8214	BEARING CUP	1		X	
28	JD8191	BEARING CONE	1		X	
29	R111410	QUILL	1		X	

5D17

DIFFERENTIAL & PTO

PLANETARY AND AXLE SHAFT (8100, 8200)(100MM)
PLANETAIRE ET ARBRE D'ESSIEU (8100, 8200)
PLANETENGETRIEBE UND ACHSWELLE (8100, 8200)
GRUPPO PLANETARIO ED ALBERO DELL'ASSALE (8100, 8200)
PLANETARIO Y EJE (8100, 8200)
PLANETVAEXEL OCH AXEL (8100, 8200)
RE026987 -UN-23MAY96



RE026987

5D18

DIFFERENTIAL & PTO

KEY	PART NO.	PART NAME	QTY	AXLE SERIAL NO.	8 8 1 2 0 0 0 0	REMARKS
1	R109847	SPINDLE	2		X X	(A)
	R109848	SHAFT	2		X X	(B)
	R109849	SHAFT	2		X X	(C)
2	R127247	SEAL	2	-042113	X X	(SUB FOR R114347)
	R163305	SEAL	2	042114-	X X	
3	R112071	BUSHING	2		X X	
4	RE50957	BEARING	2		X X	
5	19M8622	CAP SCREW	28		X X	HS 12.9
6	R135543	WASHER	28		X X	
7	R54380	DOWEL PIN	8		X X	
8	JD8248	BEARING CUP	2		X X	
9	JD9018	BEARING CONE	2		X X	
10	R109846	HOUSING	2		X X	
11	R135966	GEAR	2		X X	(SUB FOR R124631)
12	R121239	THRUST WASHER	12		X X	
13	R94655	NEEDLE ROLLER	408		X X	
14	R124629	PLANET PINION	6		X X	
15	R125069	PINION SHAFT	6		X X	
16	R52389	SHIM	AR		X X	
17	R59439	SHIM	AR		X X	0.13 MM
	R59440	SHIM	AR		X X	0.51 MM
	R61461	SHIM	AR		X X	0.076 MM
	R79989	SHIM	AR		X X	0.178 MM
18	F2380R	WASHER	2		X X	
19	R111467	PLANET PINION CARRIER	2		X X	
20	R110303	SPACER	2		X X	
21	R81162	BOLT	2		X X	
22	R94545	LOCK PLATE	2		X X	
23	R107242	SPACER	2		X X	
24	R111450	PINION	2		X X	
25	F3171R	O-RING	2		X X	
26	14M7452	LOCK NUT	6		X X	M8
27	R125362	BOLT	6		X X	
28	R59843	SNAP RING	1		X X	100 MM

(A) SHORT (857 X 100MM)
 COURT (857 X 100MM)
 KURZ (857 X 100MM)
 CORTO (857 X 100MM)
 CORTO (857 X 100MM)
 KORT (857 X 100MM)

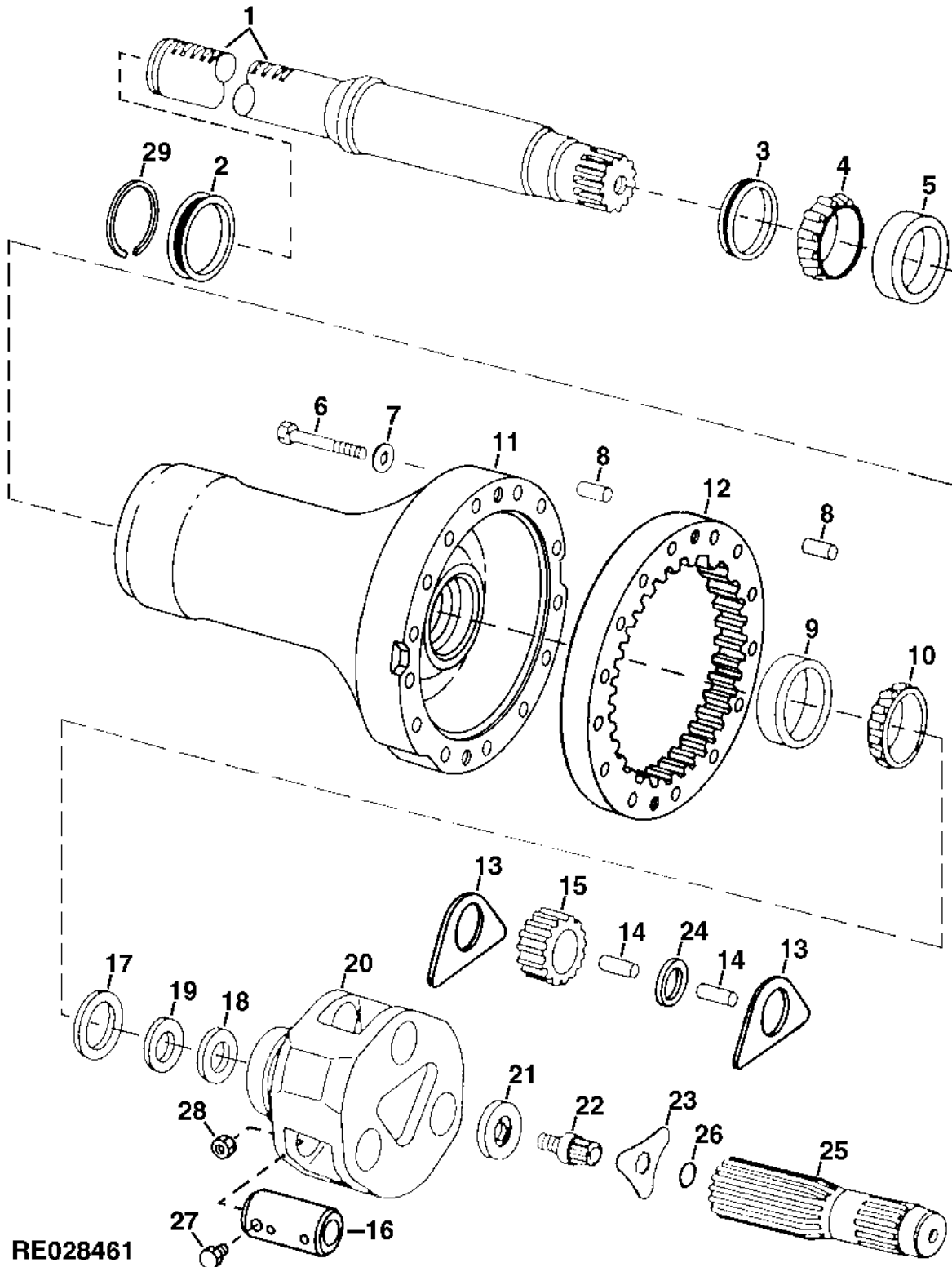
(B) LONG (1042 X 100MM)
 LONG (1042 X 100MM)
 LANG (1042 X 100MM)
 LUNGO (1042 X 100MM)
 LARGO (1042 X 100MM)
 LAANG (1042 X 100MM)

(C) EXTRA LONG (1144 X 100MM)
 EXTRA LONG (1144 X 100MM)
 EXTRALANG (1144 X 100MM)
 EXTRA LUNGO (1144 X 100MM)
 EXTRA LARGO (1144 X 100MM)
 EXTRALAANG (1144 X 100MM)

5D19

DIFFERENTIAL & PTO

PLANETARY AND AXLE SHAFT (8100, 8200)(110MM)
PLANETAIRE ET ARBRE D'ESSIEU (8100, 8200)
PLANETENGETRIEBE UND ACHSWELLE (8100, 8200)
GRUPPO PLANETARIO ED ALBERO DELL'ASSALE (8100, 8200)
PLANETARIO Y EJE (8100, 8200)
PLANETVAEXEL OCH AXEL (8100, 8200)
RE028461 -UN-17OCT97



RE028461

5D20

DIFFERENTIAL & PTO

KEY	PART NO.	PART NAME	QTY	AXLE		REMARKS
				SERIAL NO.		
					8 8	
					1 2	
					0 0	
					0 0	
1	R109843	SHAFT	2		X X	(A)
	R109845	SHAFT	2		X X	(B)
2	R111904	BUSHING	2		X X	
3	R127247	SEAL	2	-042113	X X	(SUB FOR R114347)
	R163305	SEAL	2	042114-	X X	
4	JD10134	BEARING CONE	2		X X	
5	JD10135	BEARING CUP	2		X X	
6	19M8190	CAP SCREW	28		X X	M16 X 180 HS 12.9
7	R135543	WASHER	28		X X	
8	R54380	DOWEL PIN	8		X X	
9	JD9127	BEARING CUP	2		X X	
10	JD9069	BEARING CONE	2		X X	
11	R109842	HOUSING	2		X X	
12	R135967	GEAR	2		X X	(SUB FOR R124632)
13	R121239	THRUST WASHER	12		X X	
14	R63575	NEEDLE ROLLER	408		X	(C)
15	R124629	PLANET PINION	6		X X	(C)
16	R125069	PINION SHAFT	6		X X	(C)
17	R63237	SHIM	2		X X	
18	R59439	SHIM	AR		X X	
	R59440	SHIM	AR		X X	
	R61461	SHIM	AR		X X	
	R79989	SHIM	AR		X X	
19	F2380R	WASHER	2		X X	
20	R111449	PLANET PINION CARRIER	2		X	(C)
21	R86675	SPACER	2		X X	
22	R81162	BOLT	2		X X	
23	R69549	PLATE	2		X X	
24	R107242	SPACER	2		X X	
25	R134669	PINION	2		X X	(SUB FOR R109840)
26	F3171R	O-RING	2		X X	
27	R125362	BOLT	6		X X	
28	14M7452	LOCK NUT	6		X X	M8
29	R71975	SNAP RING	1		X X	110 MM

(A) SHORT (824 X 110MM)
 COURT (824 X 110MM)
 KURZ (824 X 110MM)
 CORTO (824 X 110MM)
 CORTO (824 X 110MM)
 KORT (824 X 110MM)

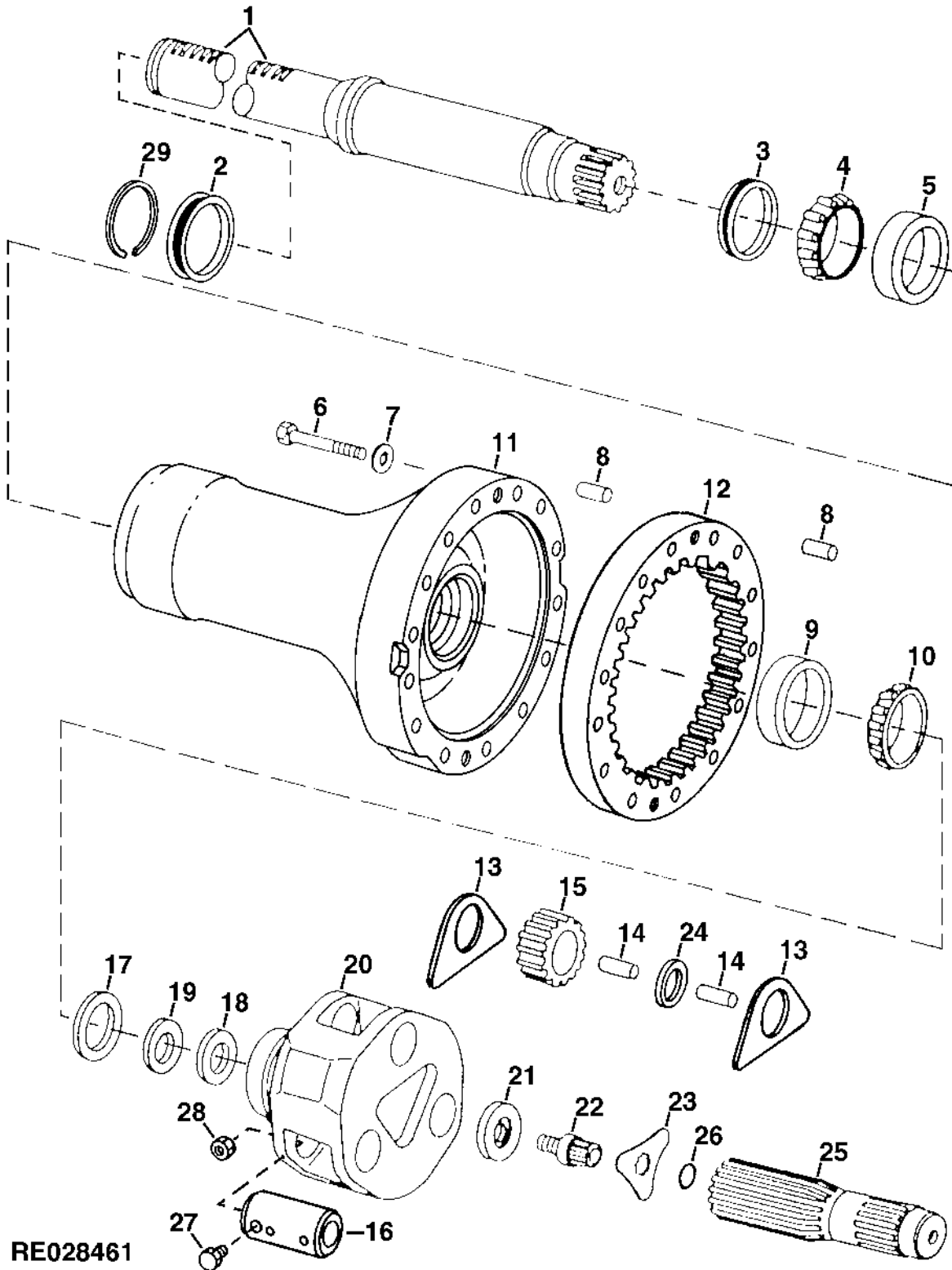
(B) LONG (1111 X 110MM)
 LONG (1111 X 110MM)
 LANG (1111 X 110MM)
 LUNGO (1111 X 110MM)
 LARGO (1111 X 110MM)
 LAANG (1111 X 110MM)

(C) W/O MECHANICAL FRONT WHEEL DRIVE
 W/O TRACTION AVANT MECANIQUE
 W/O MECHANISCHER FRONTANTRIEB
 W/O TRAZIONE ANTERIORE MECANICA
 W/O TRACCION DELANTERA
 W/O MEKANISK FRAMHJULSDRIVNING

5D21

DIFFERENTIAL & PTO

PLANETARY AND AXLE SHAFT (8300, 8400)(110MM)
PLANETAIRE ET ARBRE D'ESSIEU (8300, 8400)
PLANETENGETRIEVE UND ACHSWELLE (8300, 8400)
GRUPPO PLANETARIO ED ALBERO DELL'ASSALE (8300, 8400)
PLANETARIO Y EJE (8300, 8400)
PLANETVAEXEL OCH AXEL (8300, 8400)
RE028461 -UN-17OCT97



RE028461

KEY	PART NO.	PART NAME	QTY	AXLE SERIAL NO.	REMARKS
				8 8	
				3 4	
				0 0	
				0 0	
1	R109843	SHAFT	2		X X (A)
	R109845	SHAFT	2		X X (B)
2	R111904	BUSHING	2		X X
3	R127247	SEAL	1	-042113	X X (SUB FOR R114347)
	R163305	SEAL	1	042114-	X X
4	JD10134	BEARING CONE	2		X X
5	JD10135	BEARING CUP	2		X X
6	19M8190	CAP SCREW	28		X X M16 X 180 HS 12.9
7	R135543	WASHER	28		X X
8	R54380	DOWEL PIN	8		X X
9	JD9127	BEARING CUP	2		X X
10	JD9069	BEARING CONE	2		X X
11	R109842	HOUSING	2		X X
12	R135967	GEAR	2		X X (SUB FOR R124632)
13	R121239	THRUST WASHER	12		X X
14	R94655	NEEDLE ROLLER	408		X (C)
	R63575	NEEDLE ROLLER	408		X (D)
	R63575	NEEDLE ROLLER	408		X (C)
15	R124630	PLANET PINION	6		X (D)
	R124629	PLANET PINION	6		X (C)
	R124630	PLANET PINION	6		X (C)
16	R125070	PINION SHAFT	6		X (D)
	R125069	PINION SHAFT	6		X (C)
	R125070	PINION SHAFT	6		X (C)
17	R63237	SHIM	2		X X
18	R59439	SHIM	AR		X X
	R59440	SHIM	AR		X X
	R61461	SHIM	AR		X X
	R79989	SHIM	AR		X X
19	F2380R	WASHER	2		X X
20	R115413	PLANET PINION CARRIER	2		X (D)
	R111449	PLANET PINION CARRIER	2		X (C)
	R115413	PLANET PINION CARRIER	2		X (C)
21	R86675	SPACER	2		X X
22	R81162	BOLT	2		X X
23	R69549	PLATE	2		X X
24	R107242	SPACER	6		X X
25	R134669	PINION	2		X X (SUB FOR R109840)
26	F3171R	O-RING	2		X X
27	R125362	BOLT	6		X X
28	14M7452	LOCK NUT	6		X X M8
29	R71975	SNAP RING	1		X X 110 MM
..	TY16021	SEALANT	1		X X

(A) SHORT (824 X 110MM)
 COURT (824 X 110MM)
 KURZ (824 X 110MM)
 CORTO (824 X 110MM)
 CORTO (824 X 110MM)
 KORT (824 X 110MM)

(B) LONG (1111 X 110MM)
 LONG (1111 X 110MM)
 LANG (1111 X 110MM)
 LUNGO (1111 X 110MM)
 LARGO (1111 X 110MM)
 LAANG (1111 X 110MM)

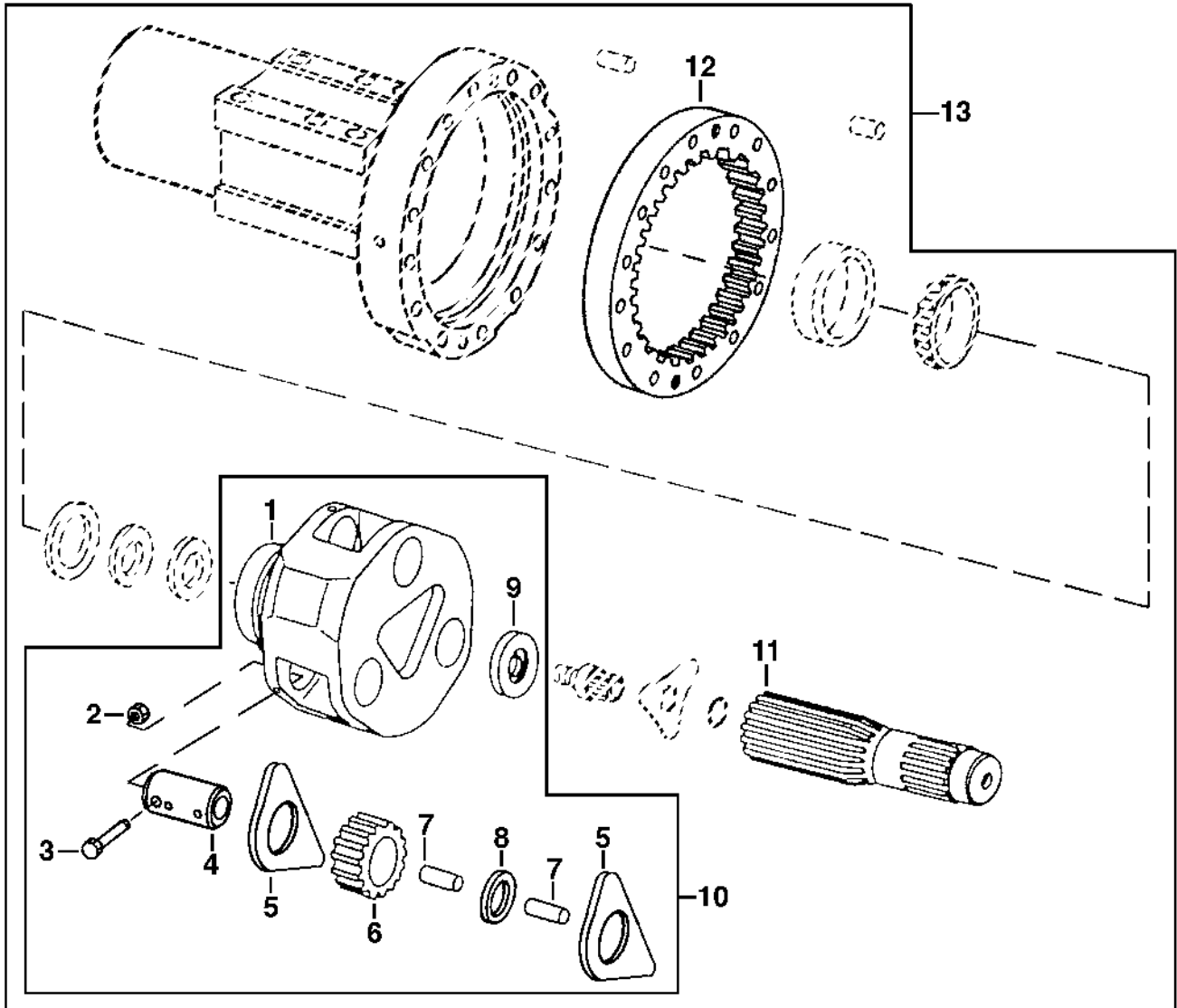
(C) W/ MECHANICAL FRONT WHEEL DRIVE
 W/ TRACTION AVANT MECHANIQUE
 W/ MECHANISCHER FRONTANTRIEB
 W/ TRAZIONE ANTERIORE MECANNICA
 W/ TRACCION DELANTERA
 W/ MEKANISK FRAMHJULSDRIVNING

(D) W/O MECHANICAL FRONT WHEEL DRIVE
 W/O TRACTION AVANT MECANIQUE
 W/O MECHANISCHER FRONTANTRIEB
 W/O TRAZIONE ANTERIORE MECANNICA
 W/O TRACCION DELANTERA
 W/O MEKANISK FRAMHJULSDRIVNING

5D23

DIFFERENTIAL & PTO

FINAL DRIVE/HEAVY DUTY KIT (8300, 8400)
REDUCTEUR/POUR SERVICE SEV'RE
ENDANTRIEBE/SCHWERE AUSFUEHRUNG
COPPIA CONICA/PER SERVIZIO PESANTE
MANDO FINAL/SERVICIO SEVERO
BAKAXELVAEXEL/EXTRA KRAFTIG
RXP021528 -UN-09MAY96



RXP021528

5D24

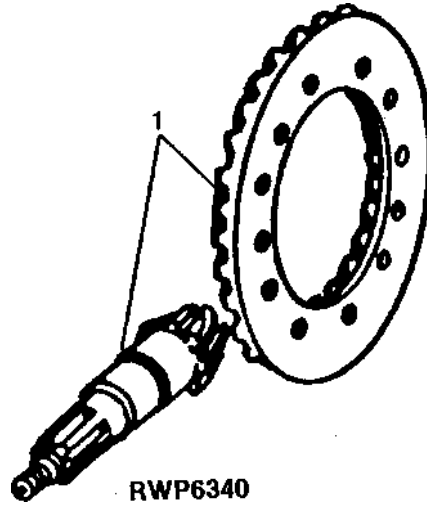
DIFFERENTIAL & PTO

KEY	PART NO.	PART NAME	QTY	AXLE		REMARKS
				SERIAL NO.		
				8	8	
				3	4	
				0	0	
				0	0	
1	R115413	PLANET PINION CARRIER	1		X X	
2	14M7452	LOCK NUT	3		X X	M8
3	R125362	BOLT	3		X X	
4	R125070	PINION SHAFT	3		X X	
5	R121239	THRUST WASHER	6		X X	
6	R124630	PLANET PINION	3		X X	
7	R63575	NEEDLE ROLLER	204		X X	
8	R107242	SPACER	3		X X	
9	R86675	SPACER	1		X X	
10	RE49256	PLANET PINION CARRIER	1		X X	
11	R134669	PINION	1		X X	(SUB FOR R109840)
12	R135967	GEAR	1		X X	(SUB FOR R124632)
13	RE63683	KIT	1		X X	

5D25

DIFFERENTIAL & PTO

SPIRAL BEVEL WITH SHAFT
ENGRENAGE HELICOIDAL AVEC ARBRE
SCHRAEGERZAHNTES KEGELRAD MIT WELLE
INGRANAGGIO CONICO SPIROIDALE CON ALBERO
ENGRANAJE HELICOIDAL CONICO CON EJE
KONISKT KUGGHJUL MED AXEL
RWP6340 -UN-01JAN94



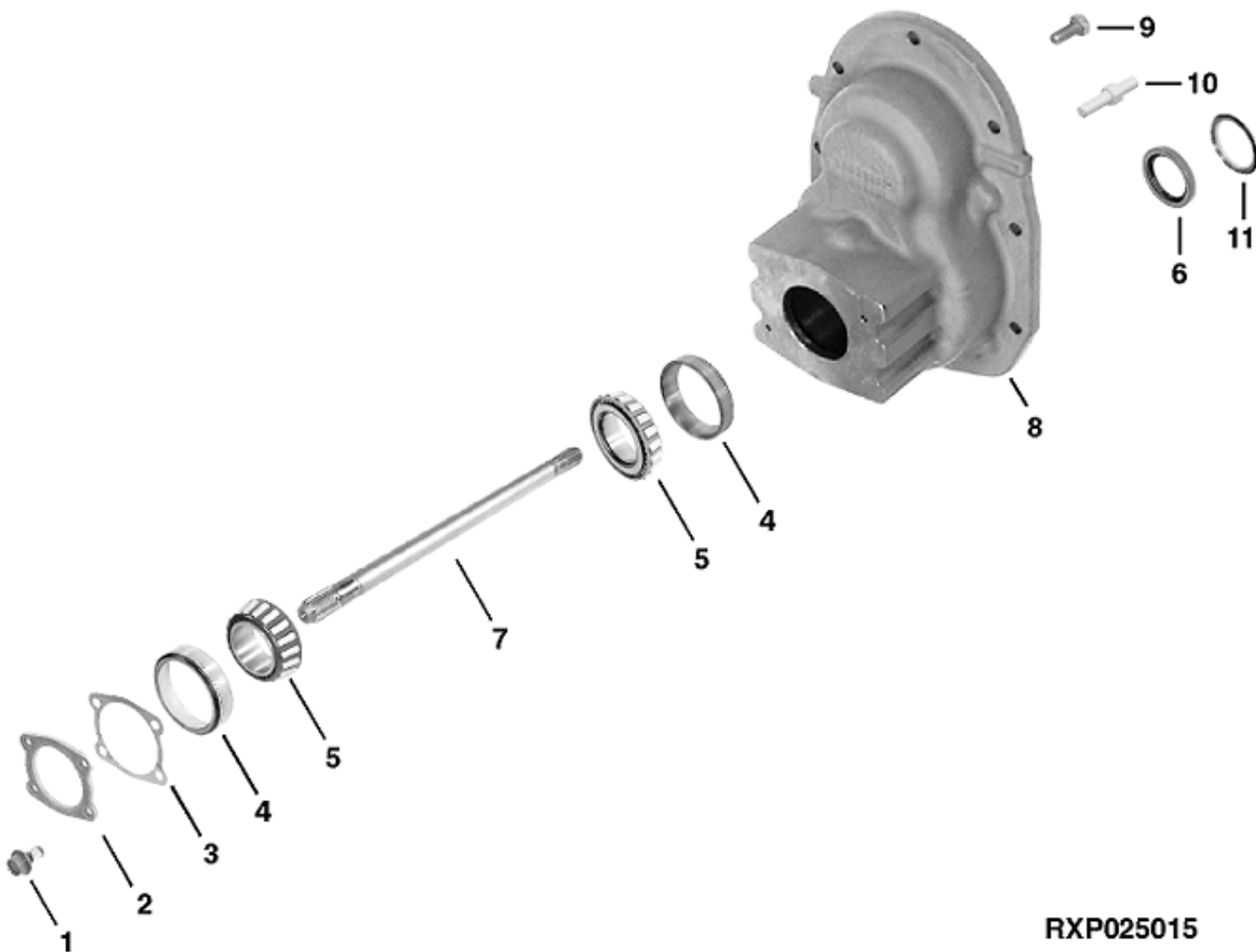
KEY	PART NO.	PART NAME	QTY	AXLE SERIAL NO.	A	REMARKS
					L	
1	RE54453	GEAR	1		L	X (MARKED R119442 AND R119443)

MEMORANDA
MEMORANDA
MEMORANDA
MEMORANDA
MEMORANDA

5E1

DIFFERENTIAL & PTO

STANDARD PTO
PDF STANDARD
STANDARD-ZAPFWELLE
PTO STANDARD
TDF NORMAL
STANDARD KRAFTUTTAG
RXP025015 -UN-01JAN94



RXP025015

5E2

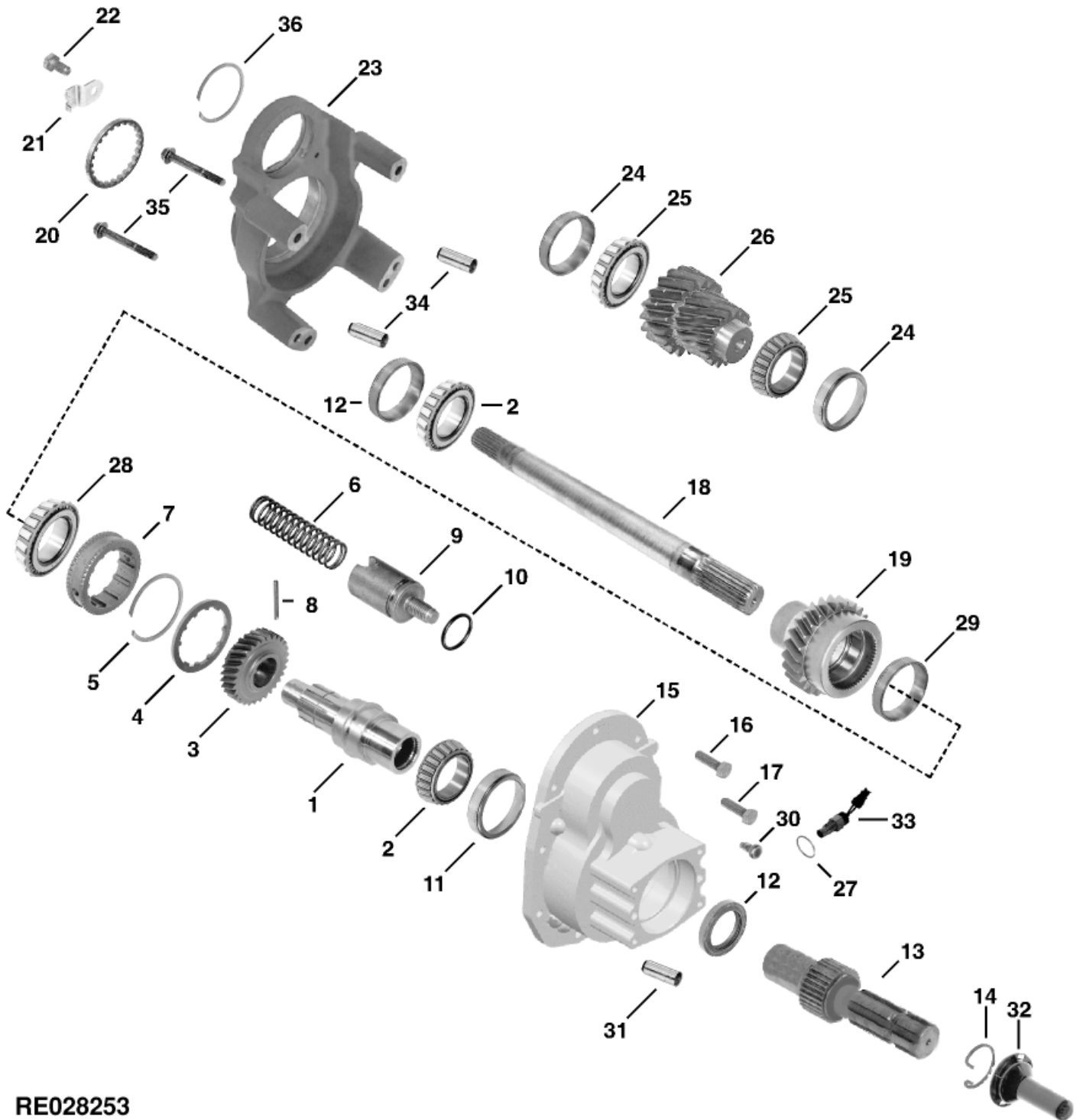
DIFFERENTIAL & PTO

KEY	PART NO.	PART NAME	QTY	AXLE SERIAL NO.	A L L	REMARKS
1	R153676	SCREW	4		X	HS 10.9
2	R73040	PLATE	1		X	
3	RE68293	KIT	2		X	
4	JD7297	BEARING CUP	2		X	
5	JD7370	BEARING CONE	2		X	
6	RE14439	SEAL	1		X	
7	R110061	SHAFT	1		X	
8	R122905	HOUSING	1		X	(SUB FOR R108568)
9	R153676	SCREW	5		X	HS 10.9
10	R126027	CAP SCREW	4		X	
11	R116086	SEAL	1		X	

5E3

DIFFERENTIAL & PTO

OPTIONAL PTO
PDF EN OPTION
ZUSATZ-ZAPFWELLE
PTO OPZIONALE
TDF OPCIONAL
ALTERNATIVT KRAFTUTTAG
RE028253 -UN-22AUG97



RE028253

5E4

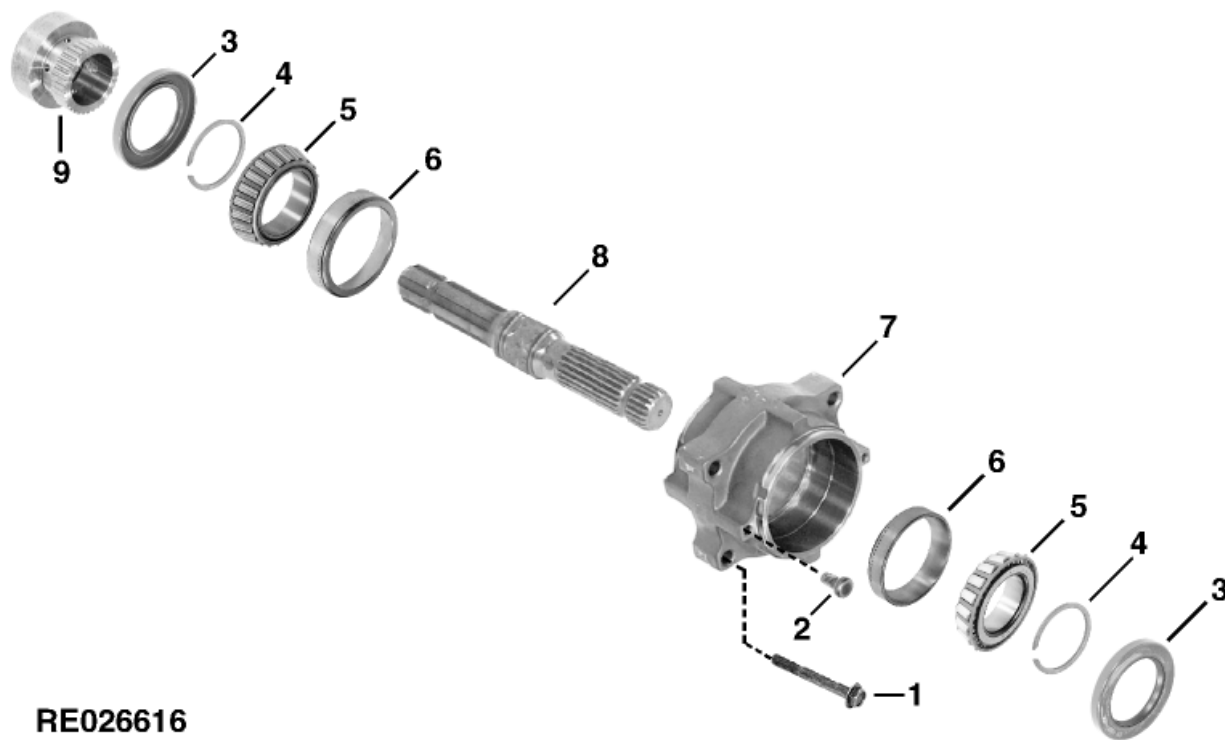
DIFFERENTIAL & PTO

KEY	PART NO.	PART NAME	QTY	AXLE SERIAL NO.	A L L	REMARKS
1	R122908	SHAFT	1		X	
2	JD7378	BEARING CONE	2		X	
3	R125980	GEAR	1		X	
4	R95784	THRUST WASHER	1		X	
5	L33035	SNAP RING	1		X	
6	R93485	SPRING	1		X	
7	R125178	SHIFT COLLAR	1		X	
8	34M7074	SPRING PIN	1		X	8 X 75 MM
9	R125086	PLUNGER	1		X	
10	R122750	O-RING	1		X	
11	JD7292	BEARING CUP	2		X	
12	RE38725	SEAL	1		X	
13	R122910	SHAFT	1		X	1-3/4" 1000 RPM
14	R38221	SNAP RING	1		X	
15	R122904	HOUSING	1		X	
16	R153676	SCREW	5		X	HS 10.9
17	R126027	CAP SCREW	4		X	
18	R122912	SHAFT	1		X	
19	R126104	GEAR	1		X	
20	R106843	RING	1		X	
21	R106839	RETAINER	1		X	
22	R88246	CAP SCREW	1		X	8M X 16
23	R122907	HOUSING	1		X	
24	JD8247	BEARING CUP	2		X	
25	JD10527	BEARING CONE	2		X	
26	R122906	GEAR	1		X	
27	51M7044	O-RING	1		X	
	RE501938	PLUG	1		X	
28	JD8100	BEARING CONE	1		X	
29	JD7424	BEARING CUP	1		X	
30	R27329	SCREW	2		X	(A)
31	44M7070	DOWEL PIN	2		X	
32	L64456	GUARD	1		X	(A)
33	RE71121	SENSOR	1		X	(SUB FOR RE43511)
34	44M7070	DOWEL PIN	2		X	
35	19M7810	SCREW	4		X	M10 X 80
36	RE47328	KIT	1		X	

(A) EUROPEAN VERSION
 VERSION EUROPEENNE
 EUROPÄISCHE AUSFÜHRUNG
 VERSIONE EUROPEA
 VERSION EUROPEA
 EUROPEISK VERSION

5E5

OPTIONAL PTO
PDF EN OPTION
ZUSATZ-ZAPFWELLE
PTO OPZIONALE
TDF OPCIONAL
ALTERNATIVT KRAFTUTTAG
RE026616 -UN-08DEC95



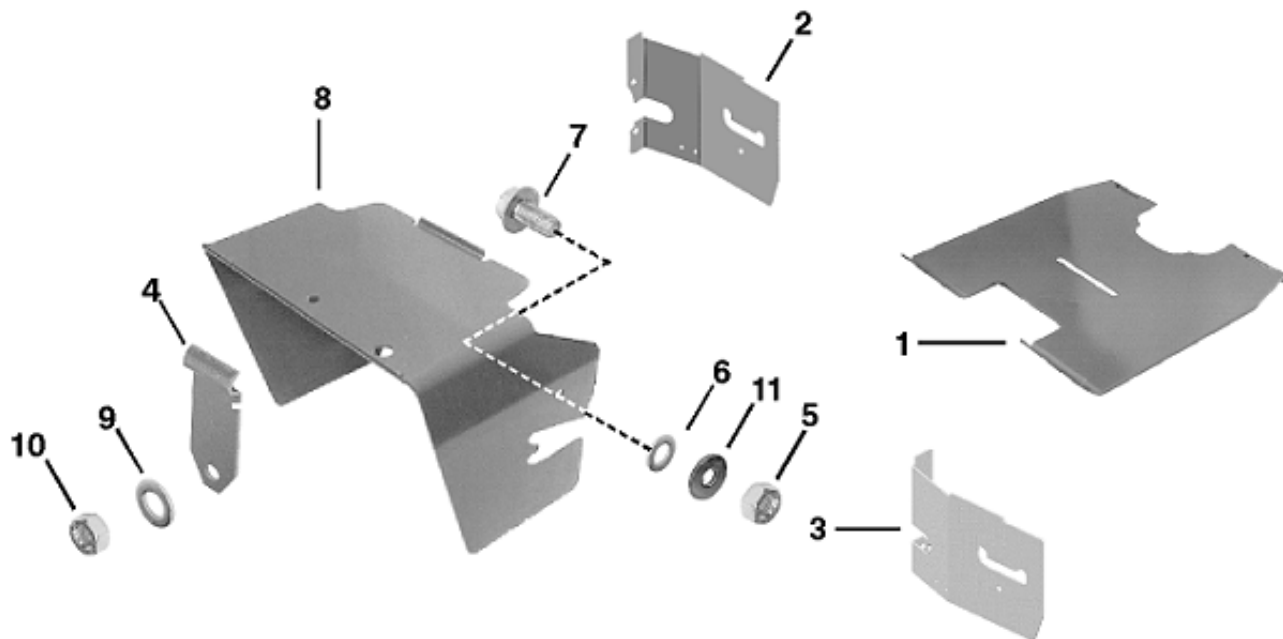
RE026616

5E6

DIFFERENTIAL & PTO

KEY	PART NO.	PART NAME	QTY	AXLE SERIAL NO.	A L L	REMARKS
1	19M7810	SCREW	4		X	M10 X 80, HS 10.9
2	R27329	SCREW	4		X	
3	RE60467	SEAL	2		X	
4	T44931	SNAP RING	2		X	4.724MM(.186")
	T44932	SNAP RING	1		X	4.267MM(.168")
	T44933	SNAP RING	1		X	4.318MM(.170")
	T44934	SNAP RING	1		X	4.368MM(.172")
	T44935	SNAP RING	1		X	4.445MM(.175")
	T44936	SNAP RING	1		X	4.597MM(.181")
	T44937	SNAP RING	1		X	4.673MM(.184")
5	JD7370	BEARING CONE	2		X	
6	JD7297	BEARING CUP	2		X	
7	R122914	HOUSING	1		X	
8	R122909	SHAFT	1		X	
9	R122915	BUSHING	1		X	

PTO MASTER SHIELD
 ECRAN DE PROTECTION DE PDF
 ZAPFWELLENHAUPTABDECKUNG
 PROTEZIONE PRINCIPALE DELLA PRESA DI FORZA
 ESCUDO PRINCIPAL DE LA TDF
 KRAFTUTTAGETS CENTRALSKYDDSPLAAT
 RXP025020 -UN-01JAN94



RXP025020

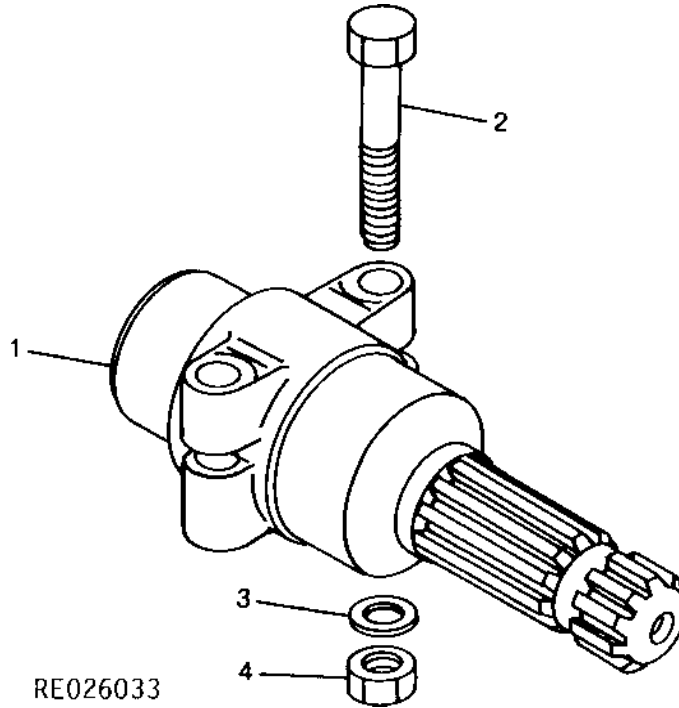
KEY	PART NO.	PART NAME	QTY	AXLE SERIAL NO.	A	REMARKS
					L	
1	RE44871	SHIELD	1		X	
2	RE60861	STEEL	1		X	
3	RE60862	SUPPORT	1		X	
4	R107454	PTO SHIELD RETAINER	2		X	
5	14M7274	NUT	2		X	M10
6	R116948	WASHER	6		X	
7	21M7442	SCREW	2		X	M10 X 20, HS 12.9
8	R124049	SHIELD	1		X	
9	24M7346	WASHER	4		X	(A) 11 X 20 X 2 MM
10	14M7274	NUT	4		X	M10
11	24M7178	WASHER	2		X	10.500 X 30 X 2.500 MM

(A) HARDENED
 TREMPE
 GEHAERTET
 TEMPRATO
 TEMPLADO
 HAERDAD

5E8

DIFFERENTIAL & PTO

ADAPTER FOR 1 3/8" PTO
 ADAPTATEUR POUR PDF DE 1 3/8" PO
 ADAPTER FUER 1 3/8" ZOLL ZAPFWELLE
 ADATTATORE PER PTO DA 1 3/8" POLLICI
 ADAPTADOR PARA TDF DE 1 3/8" PULG.
 ADAPTER FOER ETT KRAFTUTTAG PAA 1 3/8" TUM
 RE026033 -UN-27FEB95



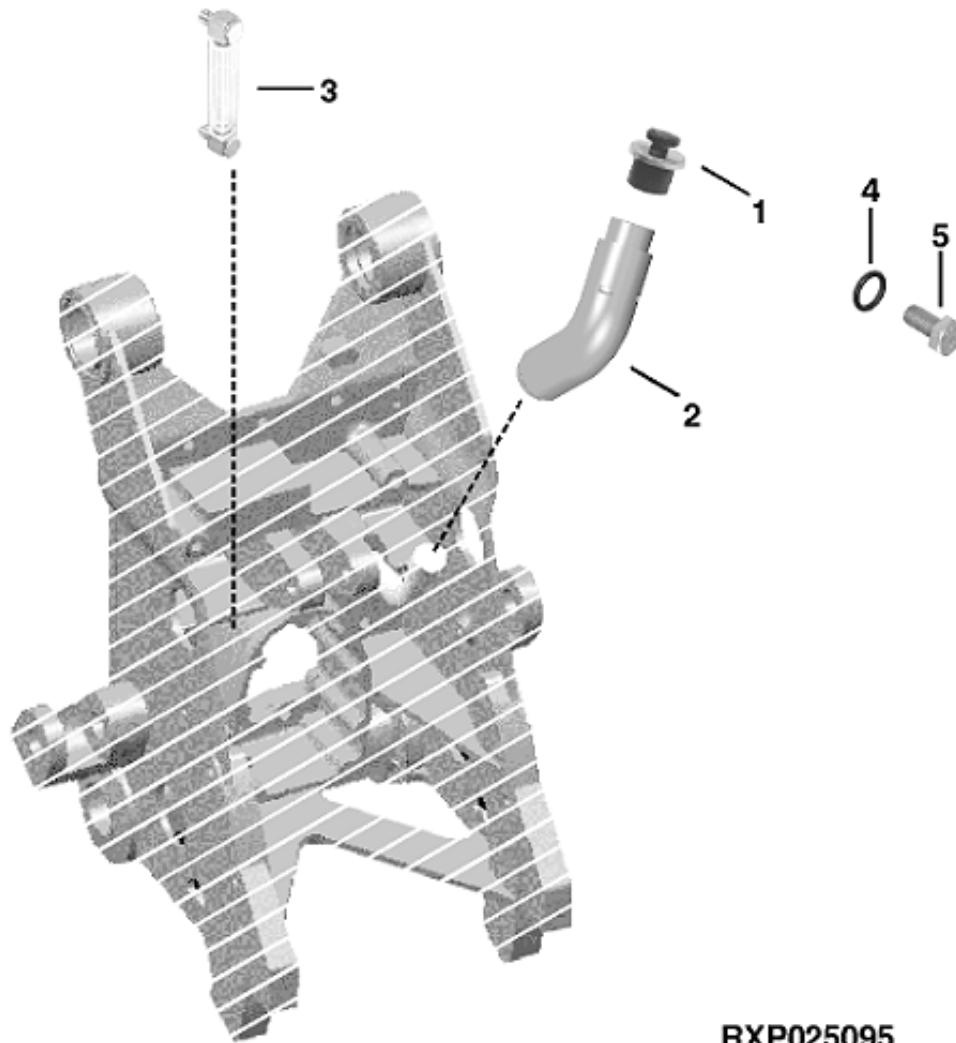
RE026033

KEY	PART NO.	PART NAME	QTY	AXLE SERIAL NO.	A	REMARKS
					L	
1	AR89543	ADAPTER	1		X	
2	19H1974	CAP SCREW	2		X	1/2" X 2-3/4"
3	12H301	LOCK WASHER	2		X	1/2"
4	14H1040	NUT	2		X	1/2"
..	R68682	LABEL	1		X	

5E9

DIFFERENTIAL & PTO

OIL FILL TUBE AND GAGE
TUBE DE REMPLISSAGE ET JAUGE D'HUILE
OELINFUELLROHR UND ANZEIGER
TUBO DI RIFORMENTO DELL'OLIO E INDICATORE
TUBO DE LLENADO DE ACEITE Y MEDIDOR
OLJEPAAFYLLNINGSRÖR OCH MÄTARE
RXP025095 -UN-01JAN94



5E10

DIFFERENTIAL & PTO

KEY	PART NO.	PART NAME	QTY	AXLE SERIAL NO.	A L L	REMARKS
1	RE28429	FILLER CAP	1		X	
2	RE60349	OIL TUBE	1		X	
3	RE57519	GAUGE	1		X	
4	R30319	O-RING	1		X	
5	19M7784	SCREW	1		X	M10 X 20, HS 10.9

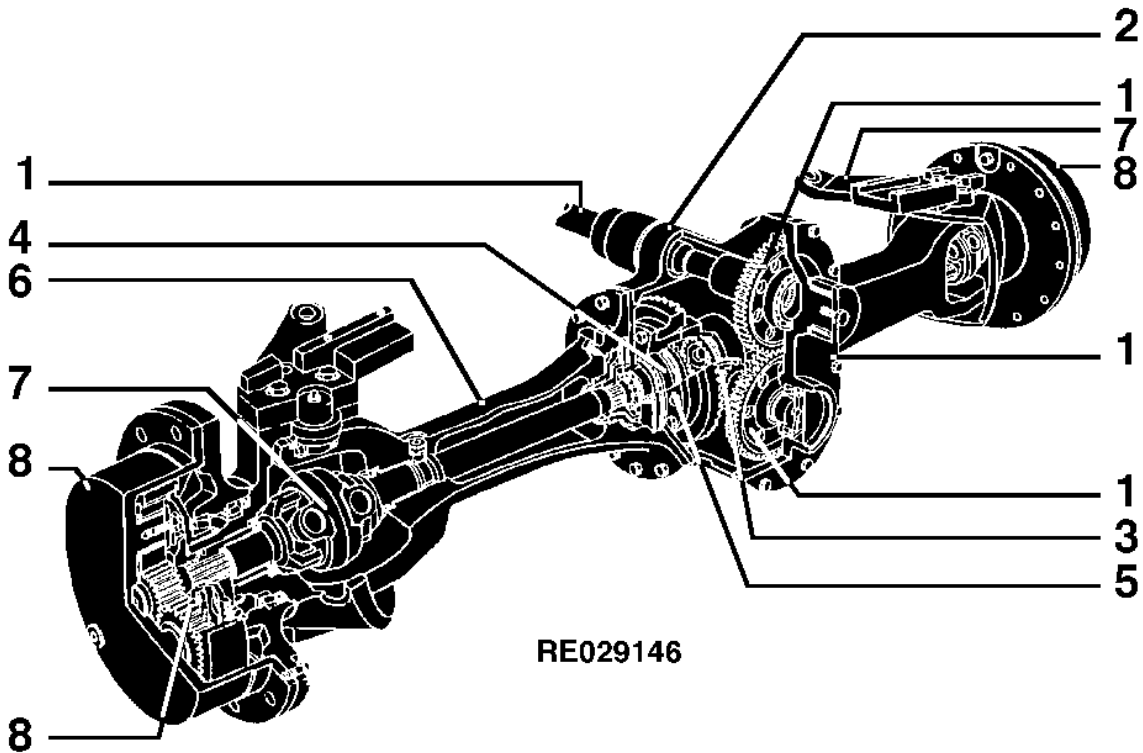
MEMORANDA
MEMORANDA
MEMORANDA
MEMORANDA
MEMORANDA

5E13

MFWD

SECTIONAL INDEX ASN(-077515)
INDEX DE SECTION ASN(-077515)
GRUPPENINDEX ASN(-077515)
INDICE DELLA SEZIONE ASN(-077515)
INDICE DE SECCION ASN(-077515)
GRUPPSFORTECKNING ASN(-077515)
RE029146 -UN-10MAY99

1 -	5E15
2 -	5E17
3 -	5E18
4 -	5E19
5 -	5E20
6 -	5E23
7 -	5F1
8 -	5F9
9 -	5F12
10 -	5F16
11 -	5F18
12 -	5F20
13 -	5F22
14 -	5F24
15 -	5G1
16 -	5G3

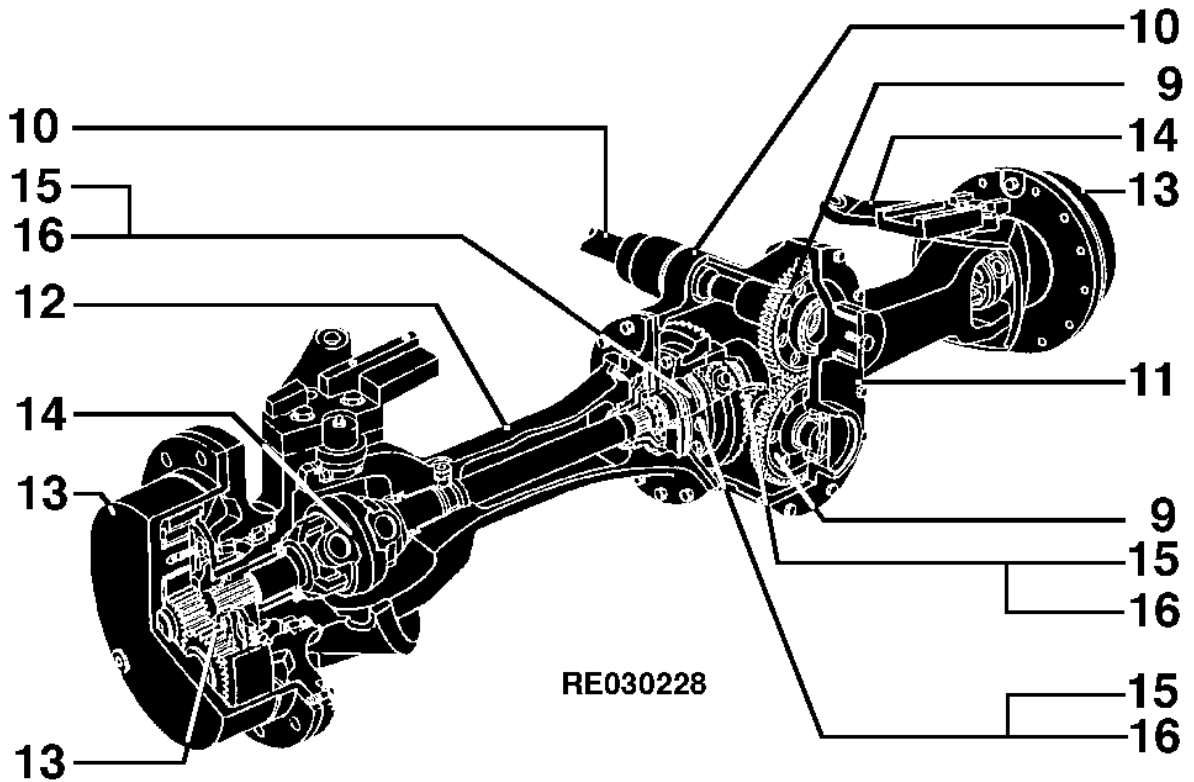


5E14

SECTIONAL INDEX ASN(800001-))
INDEX DE SECTION ASN(800001-))
GRUPPENINDEX ASN(800001-))
INDICE DELLA SEZIONE ASN(800001-))
INDICE DE SECCION ASN(800001-))
GRUPPSFORTECKNING ASN(800001-))

RE030228 -UN-10NOV98

1-	5E15
2-	5E17
3-	5E18
4-	5E19
5-	5E20
6-	5E23
7-	5F1
8-	5F9
9-	5F12
10-	5F16
11-	5F18
12-	5F20
13-	5F22
14-	5F24
15-	5G1
16-	5G3

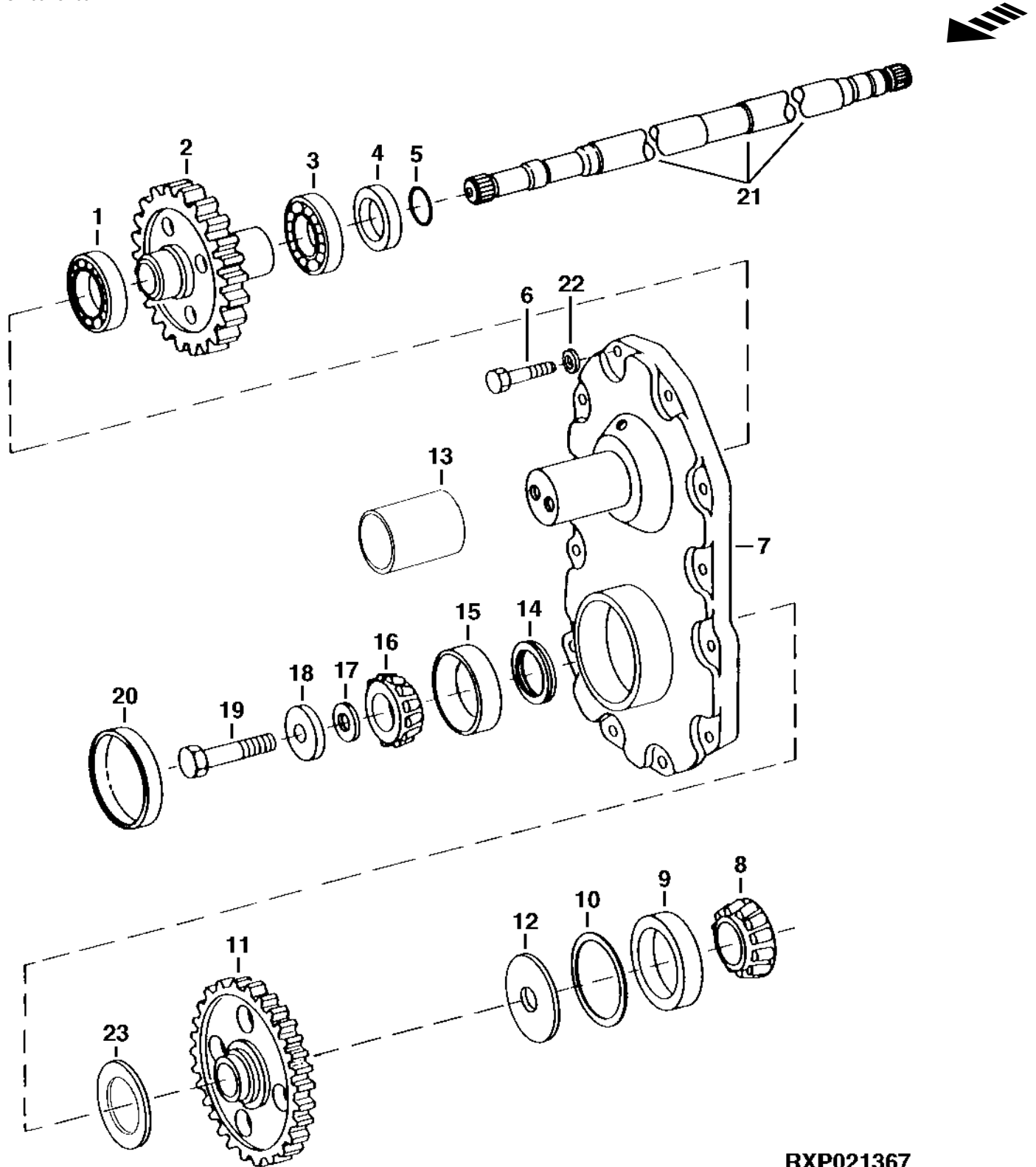


MEMORANDA
MEMORANDA
MEMORANDA
MEMORANDA
MEMORANDA

5E15

MFWD

SPUR GEAR DRIVE (MFWD) ASN(-077515)
ENTRAINEMENT PAR ENGRENAGE A PIGNON DROIT ASN(-077515)
STIRNRAD-ANTRIEB ASN(-077515)
INGRANAGGIO CILINDRICO DI DISTRIBUZIONE ASN(-077515)
MANDO DE ENGRANAJES RECTOS ASN(-077515)
DREV MED CYLINDRISKT KUGGHUJL ASN(-077515)
RXP021367 -UN-08NOV95



RXP021367

5E16

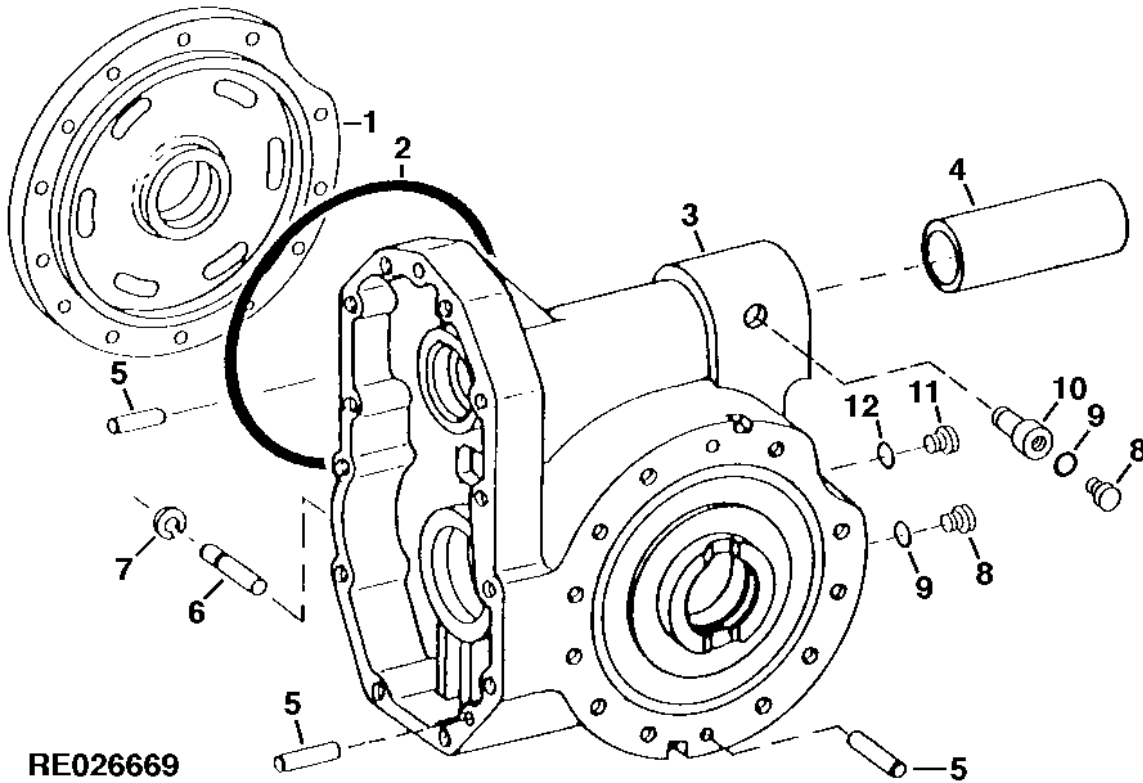
MFWD

KEY	PART NO.	PART NAME	QTY	AXLE SERIAL NO.	A L L	REMARKS
1	CH17453	BEARING	1		X	(SUB FOR JD9279)
2	R119221	GEAR	1	-031960	X	(SUB R130894) (ALSO ORDER R130895 AND CH17453)
	R130894	GEAR	1	031961-	X	
3	JD8537	BEARING	1		X	
4	RE49315	SEAL	1		X	
5	A4540R	O-RING	1		X	
6	19M7361	CAP SCREW	12	-029083	X	M12 X 50, HS 10.9
	19M7759	CAP SCREW	12	029084-	X	M16 X 60 M16
7	R124957	COVER	1	-018006	X	(SUB R127372 AND (12) 24M7240)
	R127372	COVER	1	018007-029083	X	
	R127420	COVER	1	029084-	X	
8	JD10353	BEARING CONE	1	-021454	X	(SUB RE63575)
	RE63575	ROLLER BEARING	1	021455-029083	X	
	JD10226	BEARING CONE	1	029084-	X	
9	JD10354	BEARING CUP	1	-021454	X	(SUB RE63575)
	RE63575	ROLLER BEARING	1	021455-029083	X	
	JD10227	BEARING CUP	1	029084-	X	
10	R83059	SHIM	3	-029083	X	0.08
	R83150	SHIM	3	029084-	X	0.08
	R83060	SHIM	2	-029083	X	0.13
	R83151	SHIM	4	029084-	X	0.13
	R83061	SHIM	1	-029083	X	0.25
	R83152	SHIM	1	029084-	X	0.25
11	R119222	GEAR	1	-029083	X	
	R128359	GEAR	1	029084-	X	
12	40M7027	SNAP RING	1	-029083	X	
	T61226	SNAP RING	1	029084-	X	
13	R107718	SLEEVE	1		X	
14	R83474	RING	1		X	
15	JD9109	BEARING CUP	1		X	
16	JD9043	BEARING CONE	1		X	
17	T13331	SHIM	1		X	0.003
	T13332	SHIM	2		X	0.005
	T13333	SHIM	1		X	0.010
	24H1390	SHIM	2		X	
18	R26333	WASHER	1	-023537	X	
	R126422	WASHER	1	023538-	X	
19	19M7409	CAP SCREW	1		X	M16 X 50, HS 10.9
20	T12529	CAP	1		X	
21	R108384	SHAFT	1	-031960	X	(SUB R130895) (ALSO ORDER R130894 AND CH17453)
	R130895	SHAFT	1	031961-	X	
22	24M7240	WASHER	12	-029083	X	13 X 25 X 3 MM
	24M7241	WASHER	12	029084-	X	17 X 34 X 4 MM
23	R128360	WASHER	1	029084-	X	

5E17

MFWD

DIFFERENTIAL CASE (MFWD) ASN(-077515)
 CARTER DE DIFFERENTIEL (MFWD) ASN(-077515)
 DIFFERENTIALGEHAEUSE (MFWD) ASN(-077515)
 SCATOLA DEL DIFFERENZIALE (MFWD) ASN(-077515)
 CAJA DEL DIFERENCIAL (MFWD) ASN(-077515)
 DIFFERENTIALKAAPA (MFWD) ASN(-077515)
 RE026669 -UN-13DEC95

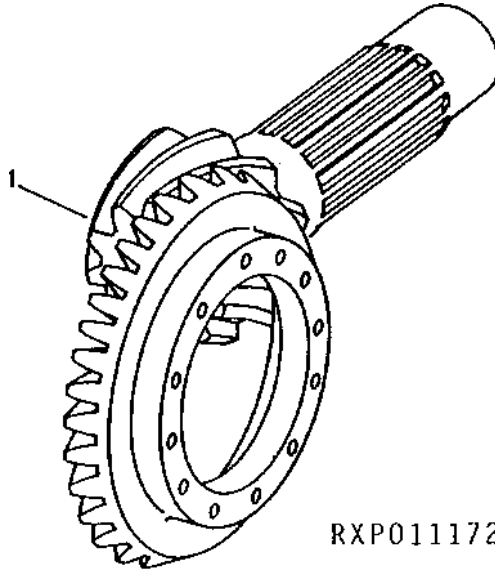


KEY	PART NO.	PART NAME	QTY	AXLE SERIAL NO.	A		REMARKS
					L	L	
1	R115436	COVER	1		X		(SUB R129090)
2	R37287	O-RING	1		X		
3	RE52321	CASE	1	-029083	X		(SUB RE63351, R127420, (12) 19M7759, (12) 24M7241, JD10226, JD10227, RE64060, R128360, T61226, (3) R83150, R83152, (4) R83151 AND R129090)
	RE63351	CASE	1	029084-	X		
4	R107719	BUSHING	1		X		
5	R48685	DOWEL PIN	4		X		
6	R98885	PIN	2		X		
7	P42894	SNAP RING	2		X		
8	R98012	PLUG	2		X		
9	P47889	O-RING	2		X		
10	R122120	PIN	1		X		
11	RE46685	PLUG	1		X		
12	51M7043	O-RING	1		X	0.08	

5E18

MFWD

SPIRAL BEVEL SET L.H. ASN(-077515)
 ENGRENAGE CONIQUE A DENTURE HELICONIDALE, GAUCHE ASN(-077515)
 SPIRALKEGELRAD LINKS ASN(-077515)
 INGRANNAGGIO CONICO SPIROIDALE SINISTRO ASN(-077515)
 ENGRANAJE CONICO ESPIRAL DEL LADO IZQUIERDO ASN(-077515)
 KONISKT KUGGHJUL MED SPIRALSKURNA KUGGAR, VAENSTER ASN(-077515)
 RXP011172 -UN-01JAN94

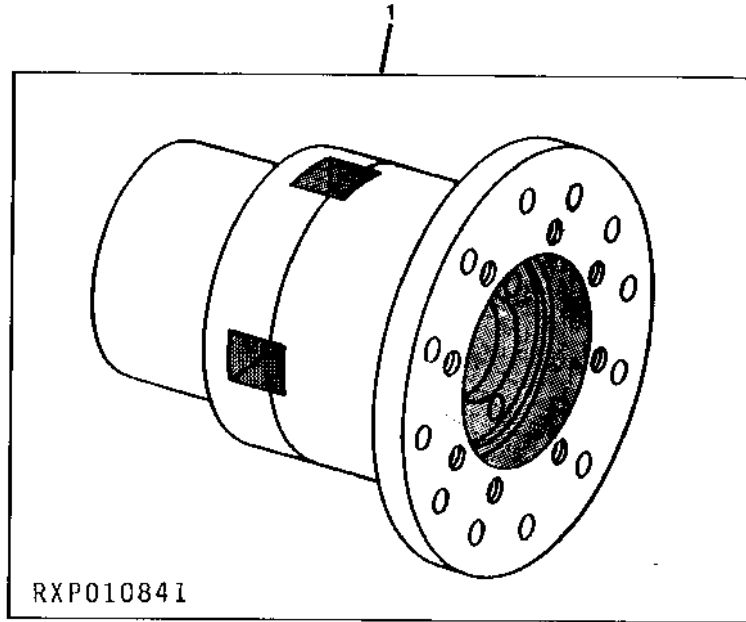


KEY	PART NO.	PART NAME	QTY	AXLE SERIAL NO.	A		REMARKS
					L	L	
1	RE44831	BEVEL GEAR	1	-027625	X		L.H. ASSEMBLY, (MARKED R107710 AND R99510) (SUB RE62677)
	RE62677	BEVEL GEAR	1	027626-029083	X		(MARKED R126566 AND R99510) L.H. ASSEMBLY
	RE64060	BEVEL GEAR	1	029084-	X		(MARKED R129108 AND R99510)

5E19

MFWD

DIFFERENTIAL HOUSING SET (MFWD) ASN(-077515)
JEU DE CARTER DE DIFFERENTIEL (MFWD) ASN(-077515)
DIFFERENTIALGEHAEUSE-SATZ (MFWD) ASN(-077515)
KIT DELLA SCATOLA DEL DIFFERENZIALE (MFWD) ASN(-077515)
JUEGO DE CAJA DEL DIFERENCIAL (MFWD) ASN(-077515)
DIFFERENTIALHUSSATS (MFWD) ASN(-077515)
RXP010841 -UN-01JAN94



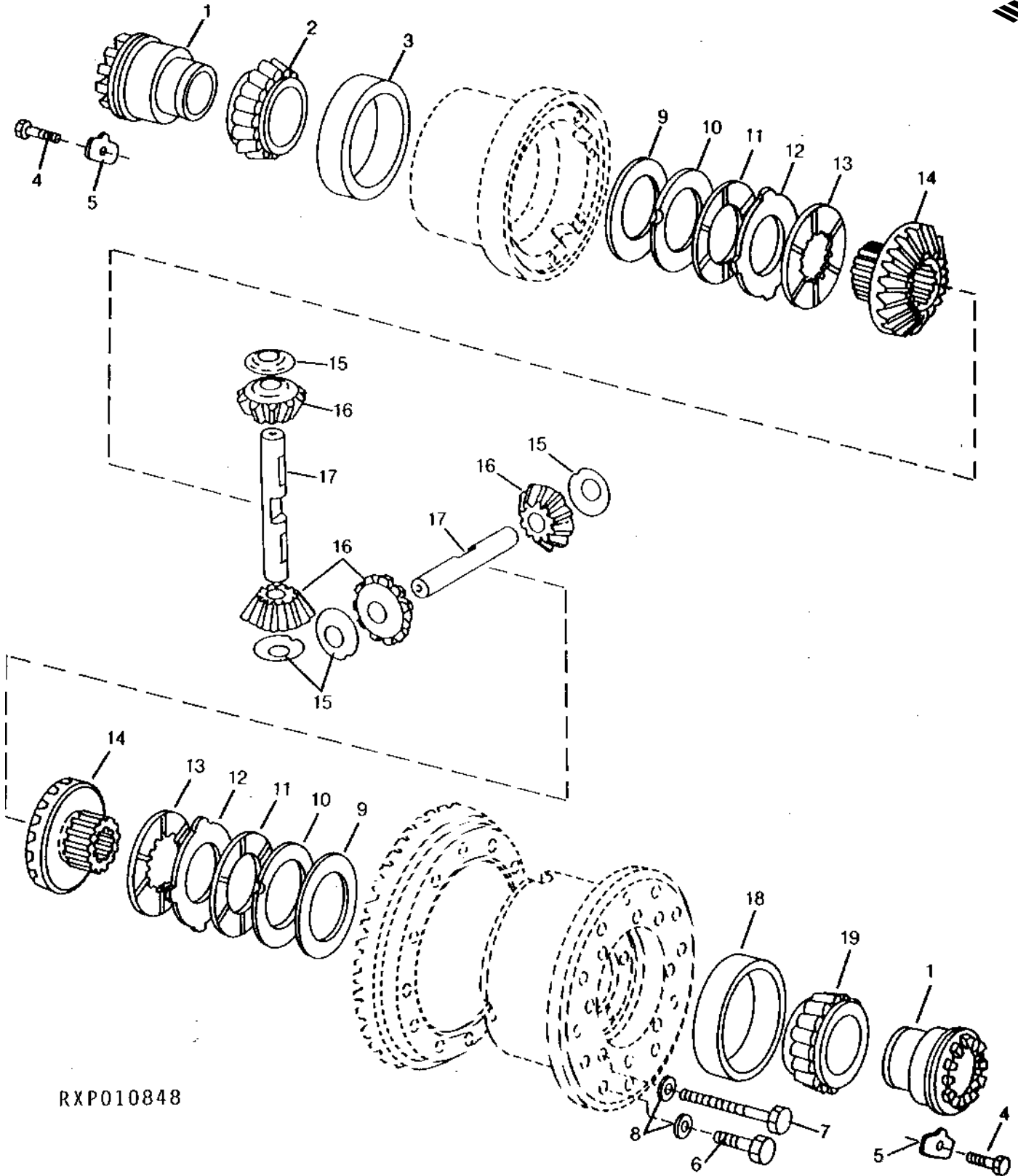
KEY	PART NO.	PART NAME	QTY	AXLE SERIAL NO.	A	REMARKS
					L	
1	RE61239	HOUSING	1		L	X (MARKED R114123 AND R83148)

MEMORANDA
MEMORANDA
MEMORANDA
MEMORANDA
MEMORANDA

5E20

MFWD

DIFFERENTIAL (MFWD) ASN(-077515)
DIFFERENTIAL (MFWD) ASN(-077515)
DIFFERENTIAL (MFWD) ASN(-077515)
DIFFERENZIALE (MFWD) ASN(-077515)
DIFERENCIAL (MFWD) ASN(-077515)
DIFFERENTIAL (MFWD) ASN(-077515)
RXP010848 -UN-01JAN94



RXP010848

5E21

MFWD

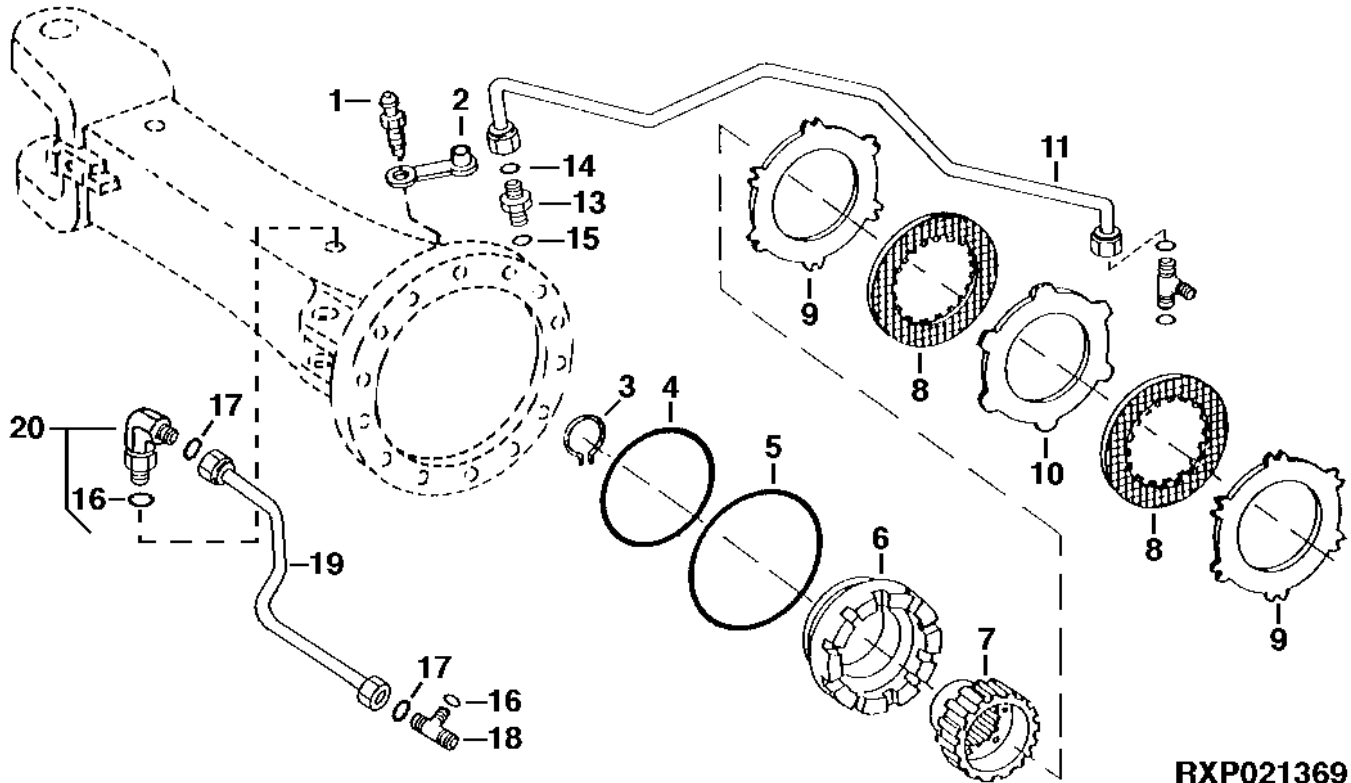
KEY	PART NO.	PART NAME	QTY	AXLE SERIAL NO.	A L L	REMARKS
1	R83120	QUILL	2		X	
2	RE62066	BEARING CONE	1		X	
3	JD7425	BEARING CUP	1		X	
4	19M7695	SCREW	2		X	M10 X 20
5	R97549	LOCK PLATE	2		X	
6	19M7403	CAP SCREW	12		X	M12 X 35, HS 10.9
7	R102839	BOLT	8		X	12M X 130, HS 10.9
8	R32214	WASHER	20		X	
9	R83559	SHIM	AR		X	
	R132971	SHIM	AR		X	
10	R83560	SHIM	AR		X	
11	RE22337	DISK	6	-XXXXXX	X	(SUB RE43059)
	RE43059	DISK	6	XXXXXX-	X	
	RE58267	DISK	10		X	(A)
12	R82908	PLATE	8		X	
	R82908	PLATE	12		X	(A)
13	RE22336	DISK	2	-XXXXXX	X	(SUB RE43058)
	RE43058	DISK	2	XXXXXX-	X	
	RE22336	DISK	2	-XXXXXX	X	(A) (SUB RE43058)
	RE43058	DISK	2	XXXXXX-	X	(A)
14	R83035	BEVEL GEAR	2		X	
15	R83121	THRUST WASHER	4		X	
16	R83036	PINION	4		X	
17	R83119	SHAFT	2		X	
18	JD7292	BEARING CUP	1		X	
19	JD7386	BEARING	1		X	

(A) EUROPEAN VERSION
 VERSION EUROPEENNE
 EUROPÄISCHE AUSFUEHRUNG
 VERSIONE EUROPEA
 VERSION EUROPEA
 EUROPEISK VERSION

5E22

MFWD

SECONDARY BRAKE (EUROPEAN VERSION) ASN(-077515)
 FREIN SECONDAIRE (VERSION EUROPEENNE) ASN(-077515)
 ZWEITBREMSE (EUROPAEISCHE AUSFUEHRUNG) ASN(-077515)
 FRENO SECONDAARIO (VERSIONE EUROPEA) ASN(-077515)
 FRENO SECUNDARIO (VERSION EUROPEA) ASN(-077515)
 PARKERINGSBROMS (EUROPEISK VERSION) ASN(-077515)
 RXP021369 -UN-20DEC95



RXP021369

KEY	PART NO.	PART NAME	QTY	AXLE SERIAL NO.	A		REMARKS
					L	L	
1	R21612	BLEED SCREW	2		X		
2	R100122	PLUG	2		X		
3	R34222	SNAP RING	2		X		
4	R126459	PACKING	2		X		(SUB FOR R115434)
5	R126458	PACKING	2		X		(SUB FOR R113486)
6	R115433	PISTON	2		X		(SUB R130599)
7	R98809	HUB	2		X		
8	RE41973	DISK, WITH INNER SPLINE	4		X		
9	R95110	CLUTCH PLATE	4		X		
10	R98810	BRAKE DISK	2		X		
11	RE56014	OIL LINE	1		X		
12	38H1023	TEE FITTING	1	-XXXXXX	X		(A)
	38H1160	ADAPTER	1	XXXXXX-	X		(B)
13	38H1160	ADAPTER	1	-XXXXXX	X		(A)
	38H1023	TEE FITTING	1	XXXXXX-	X		(B)
14	T77613	O-RING	2		X		
15	R26448	O-RING	2		X		
16	51M7043	O-RING	3	033995-	X		15.300 X 2.200 MM
17	T77857	O-RING	4	033995-	X		
18	38H5111	TEE FITTING	1	033995-	X		
19	RE65538	OIL LINE	1	033995-	X		L.H.
	RE65537	OIL LINE	1	033995-	X		R.H.
20	38H5017	ELBOW FITTING	2	033995-	X		

(A) (-XXXXXX) 8100-004722; 8200-003490; 8300-005814; 8400-006583

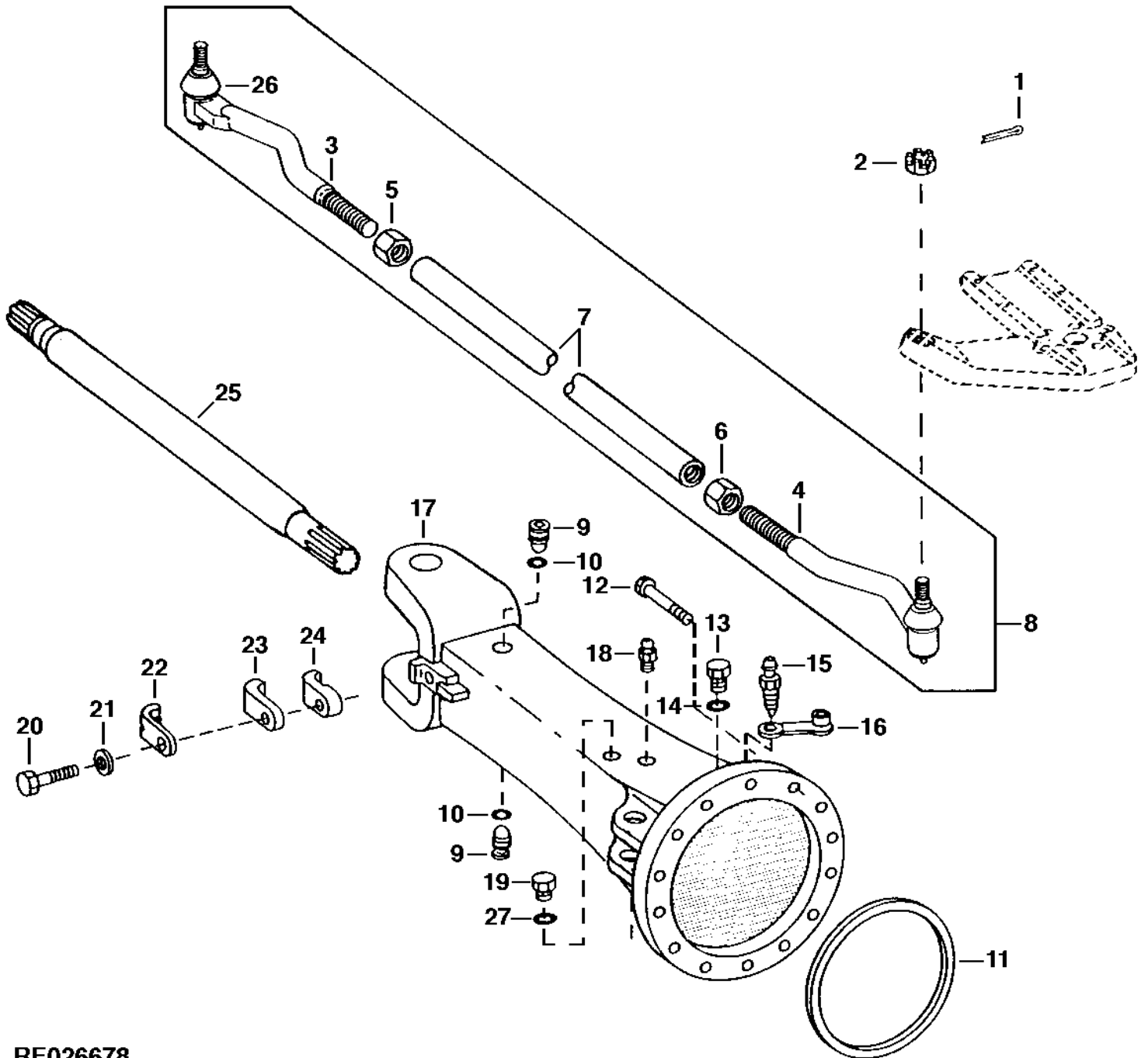
(B) (XXXXXX-) 8100-004723; 8200-003491; 8300-005815; 8400-006584

MEMORANDA
MEMORANDA
MEMORANDA
MEMORANDA
MEMORANDA

5E23

MFWD

AXLE HOUSING (MFWD) ASN(-077515)
TROMPETTE D'ESSIEU (MFWD) ASN(-077515)
ACHSGEHAEUSE (MFWD) ASN(-077515)
ALLOGGIAMENTO DELL'ASSALE (MFWD) ASN(-077515)
CAJA DEL EJE (MFWD) ASN(-077515)
AXELHUS (MFWD) ASN(-077515)
RE026678 -UN-13DEC95



RE026678

KEY	PART NO.	PART NAME	QTY	AXLE SERIAL NO.	A L L	REMARKS
1	11M7017	COTTER PIN	2		X	0.126" X 1.260"
2	14H875	NUT	2		X	7/8"
3	RE61402	TIE ROD	1		X	L.H.
4	RE61401	TIE ROD	1		X	R.H.
5	R121022	LOCK NUT	1		X	L.H.
6	R121023	LOCK NUT	1		X	R.H.
7	R124745	TIE ROD	1		X	
8	RE61217	TIE ROD	1		X	
9	R97605	SET SCREW	4		X	
10	H36256	O-RING	4		X	
11	T30349	WASHER	2		X	
12	19M7759	CAP SCREW	10		X	M16 X 60, HS 10.9, R.H.
	19M8020	CAP SCREW	1		X	M16 X 100, HS 10.9 R.H.
	19M7489	CAP SCREW	10		X	M16 X 45, HS 10.9 L.H.
	19M7720	CAP SCREW	1		X	M16 X 80, HS 10.9 L.H.
13	R27218	FITTING PLUG	2		X	
14	R26448	O-RING	2		X	
15	R21612	BLEED SCREW	2		X	
16	R100122	PLUG	2		X	
17	RE53050	HOUSING	1		X	(MARKED R124137, R130548, R124139 OR R130550) L.H. ALSO ORDER R108024 AND 51M7043 IF NOT PREVIOUSLY INSTALLED
	RE53049	HOUSING	1		X	(MARKED R124136, R130547, R124138 OR R130549) R.H. ALSO ORDER R108024 AND 51M7043 IF NOT PREVIOUSLY INSTALLED
18	JD5801	PRESSURE RELIEF FITTING	1	-018051	X	
	RE62981	PRESSURE RELIEF FITTING	1	018052-	X	
	P40098	ADAPTER	1	018052-	X	
19	R108024	DRAIN PLUG	2		X	
20	19M7361	CAP SCREW	2		X	M12 X 50
21	24M7240	WASHER	2		X	13 X 25 X 3 MM
22	R115093	STOP	2		X	(A)
23	R109831	STOP	2		X	(B)
24	R109830	STOP	2		X	(C)
25	R99088	SHAFT	2		X	
26	R78027	COVER	2		X	
27	51M7043	O-RING	2		X	15.300 X 2.200 MM

(A) OUTER
EXTERNE
AUSSEN
ESTERNO
EXTERIOR
YTTRE

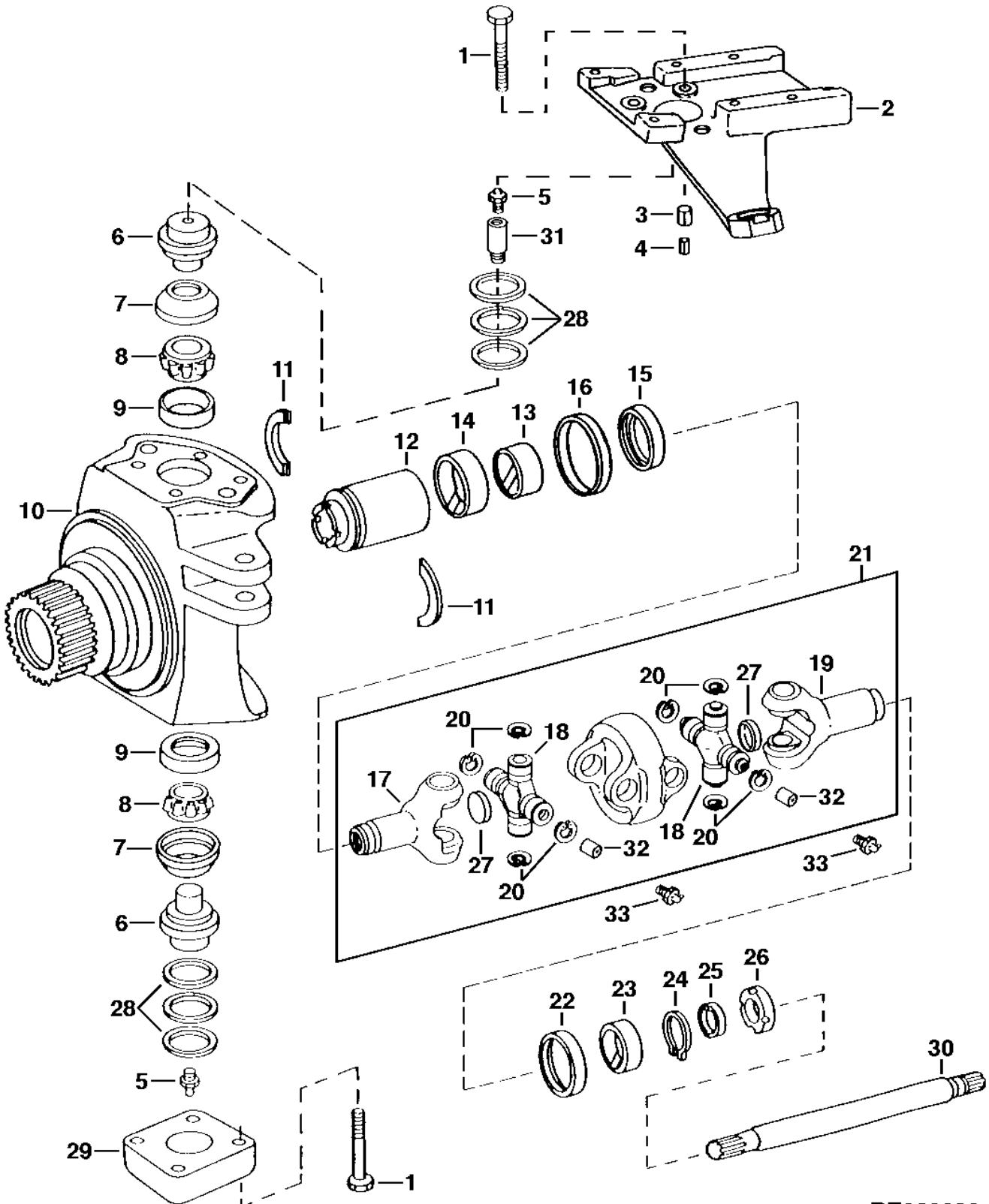
(B) CENTER
CENTRAL
MITTE
CENTRALE
CENTRAL
MITTEN

(C) INNER
INTERNE
INNEN
INTERNO
INTERIOR
INRE

5F1

MFWD

STEERING ARM AND KNUCKLE (ASN -059073)
BRAS ET ARTICULATION DE DIRECTION (ASN -059073)
SPURHEBEL UND LENKACHSSCHENKEL (ASN -059073)
BRACCIO DI GOVERNO E ARTICLAZIONE (ASN -059073)
ROTULA Y BRAZO DE LA DIRECCION (ASN -059073)
STYRARM OCH-SPINDEL (ASN -059073)
RE026680 -UN-15DEC95



RE026680

5F2

MFWD

KEY	PART NO.	PART NAME	QTY	AXLE SERIAL NO.	A L L	REMARKS
1	19M7409	CAP SCREW	16		X	M16 X 50
2	R127661	STEERING ARM	1		X	(SUB FOR R124380) L.H.
	R127660	STEERING ARM	1		X	(SUB FOR R124379) R.H.
3	34M7128	SPRING PIN	4		X	20 X 50 MM
4	34M7077	SPRING PIN	4		X	12 X 50 MM
5	JD7781	LUBRICATION FITTING	4		X	
6	RE63382	KINGPIN	4		X	(SUB FOR R106674 OR R126390)
7	RE50803	SEAL	4		X	
8	AR94761	BEARING CONE	4		X	
9	R72090	BEARING CUP	4		X	
10	R116537	HOUSING	1	-022786	X	L.H. (SUB R126437 AND RE67242)
	R126437	HOUSING	1	022787-	X	LH
	R116536	HOUSING	1	-022786	X	R.H. (SUB R126436 AND RE67242)
	R126436	HOUSING	1	022787-	X	RH
	R106879	WASHER	4		X	
12	R127715	SLEEVE	2		X	(SUB FOR R115438)
13	R82982	BUSHING	2		X	
14	R86488	BUSHING	2		X	
15	RE36282	SEAL	2		X	
16	RE61248	SEAL	2		X	
17	RE58646	YOKE	2		X	(A)
18	RE65621	UNIVERSAL JOINT CROSS	2		X	(SUB FOR RE47758)
19	RE58639	YOKE	2		X	(B)
20	40M7119	SNAP RING	8		X	
21	RE65603	UNIVERSAL JOINT CROSS	2		X	(SUB FOR RE46957) (SUB RE70738 AND RE150320)
22	RE61249	SEAL	2		X	
23	R82982	BUSHING	2		X	
24	R124576	SNAP RING	2		X	
25	R93055	SPACER	2		X	
26	R124701	SLEEVE	2		X	
27	R119118	PLUG	4		X	
28	RE48345	KIT	1		X	
29	R110039	CAP	2		X	
30	R99088	SHAFT	2		X	
31	R115881	EXTENSION	2		X	
32	15M7033	PIPE PLUG	8		X	
33	58M5578	LUBRICATION FITTING	8		X	

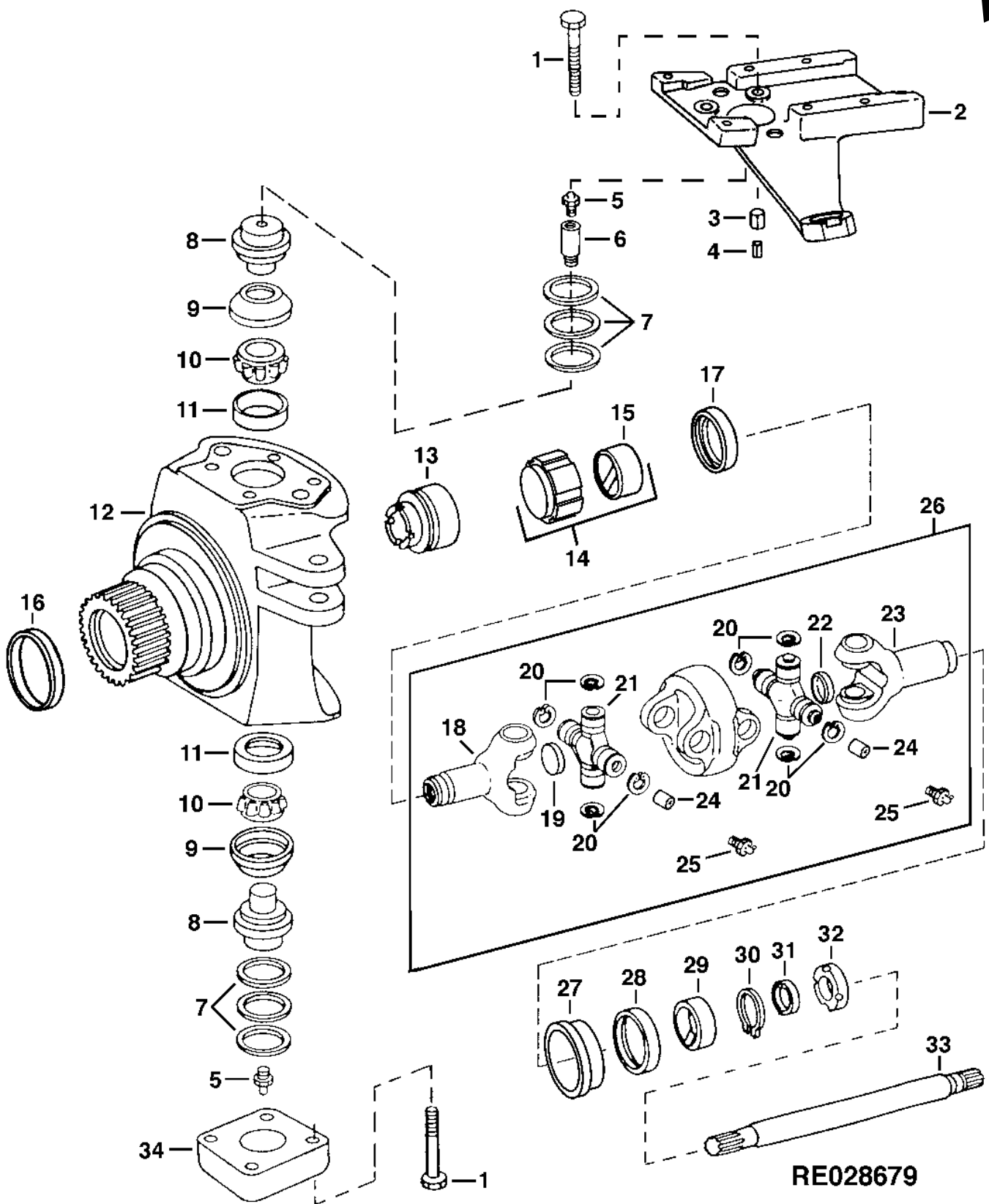
(A) OUTBOARD
EXTERIEUR
AUSSEN
ESTERNO
EXTERIOR
YTTRE

(B) INBOARD
INTERERIEUR
INNEN
INTERNO
INTERIOR
INRE

5F3

MFWD

STEERING ARM AND KNUCKLE (ASN 059074-077515)
BRAS ET ARTICULATION DE DIRECTION (ASN 059074-077515)
SPURHEBEL UND LENKACHSSCHENKEL (ASN 059074-077515)
BRACCIO DI GOVERNO E ARTICLAZIONE (ASN 059074-077515)
ROTULA Y BRAZO DE LA DIRECCION (ASN 059074-077515)
STYRARM OCH-SPINDEL (ASN 059074-077515)
RE028679 -UN-05DEC97



5F4

MFWD

KEY	PART NO.	PART NAME	QTY	AXLE SERIAL NO.	A	REMARKS
					L	
1	19M7409	CAP SCREW	16		X	M16 X 50
2	R127661	STEERING ARM	1		X	L.H.
	R127660	STEERING ARM	1		X	R.H.
3	34M7128	SPRING PIN	4		X	20 X 50 MM
4	34M7077	SPRING PIN	4		X	12 X 50 MM
5	JD7781	LUBRICATION FITTING	4		X	
6	R115881	EXTENSION	2		X	
7	RE48345	KIT	1		X	
8	RE63382	KINGPIN	4		X	
9	RE50803	SEAL	4		X	
10	AR94761	BEARING CONE	4		X	
11	R72090	BEARING CUP	4		X	
12	R126437	HOUSING	1		X	LH
	R126436	HOUSING	1		X	RH
13	R135218	SPACER	2		X	
14	RE150316	SLEEVE	2		X	
15	R136467	BUSHING	2		X	
16	RE154869	SEAL	2		X	(SUB FOR RE46365)
17	RE150317	SEAL	2		X	
18	RE71566	YOKE	2		X	(A)
19	R150315	PLUG	2		X	
20	40M7119	SNAP RING	8		X	
21	RE65621	UNIVERSAL JOINT CROSS	2		X	
22	R119118	PLUG	2		X	(B)
23	RE58639	YOKE	2		X	(B)
24	15M7033	PIPE PLUG	8		X	
25	58M5578	LUBRICATION FITTING	8		X	
26	RE70738	UNIVERSAL JOINT CROSS	2		X	
27	R135247	SLEEVE	2		X	
28	RE150318	SEAL	2		X	(INCLUDES RE64225)
29	R82982	BUSHING	2		X	
30	R124576	SNAP RING	2		X	
31	R93055	SPACER	2		X	
32	R124701	SLEEVE	2		X	
33	R99088	SHAFT	2		X	
34	R110039	CAP	2		X	

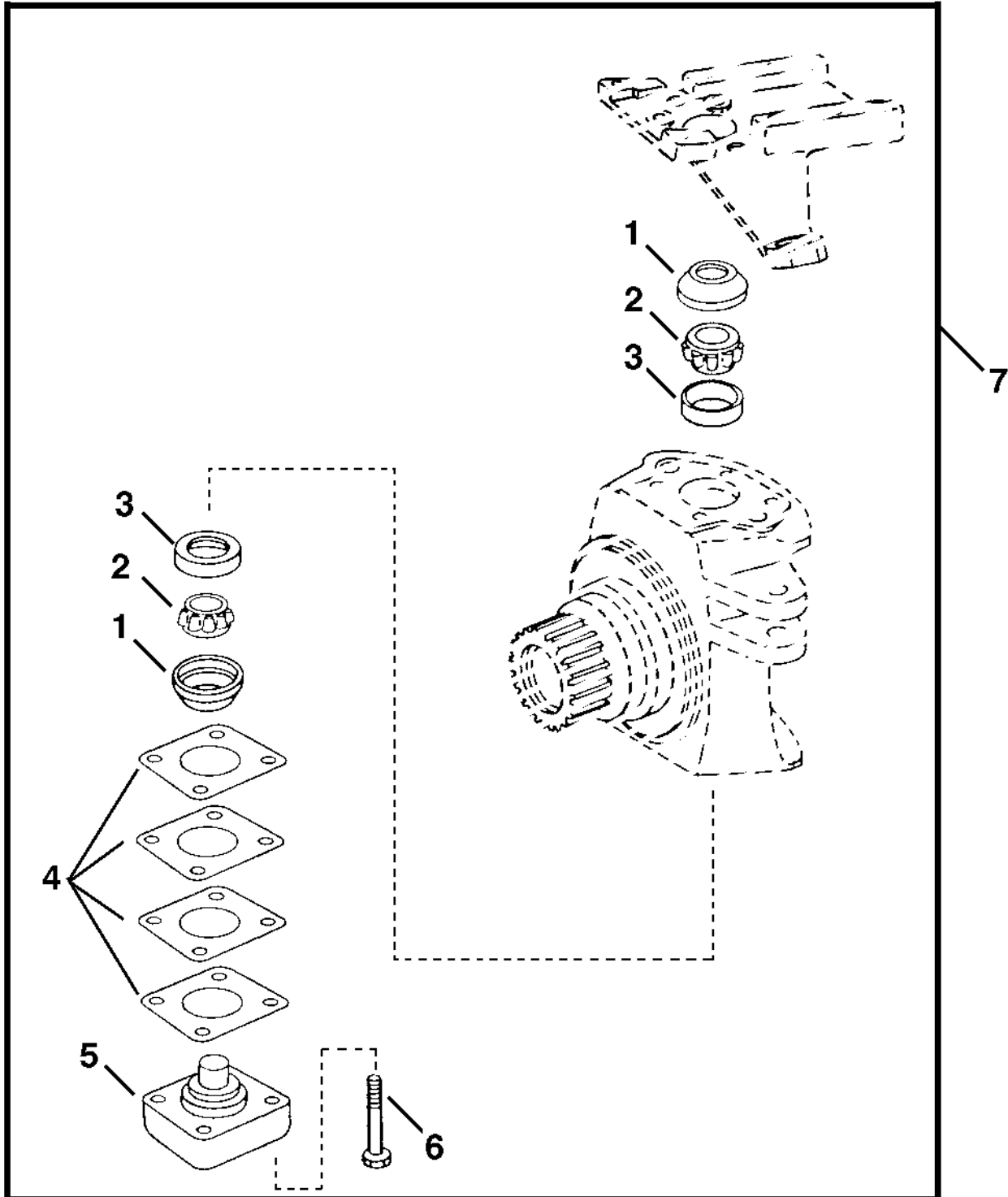
(A) OUTBOARD
EXTERIEUR
AUSSEN
ESTERNO
EXTERIOR
YTTRE

(B) INBOARD
INTERERIEUR
INNEN
INTERNO
INTERIOR
INRE

5F5

MFWD

KIT, HEAVY DUTY KINGPIN (ASN -077515)
KIT DE PIVOT DE FUSEE D'ESSIEU A USAGE INTENSIF (ASN -077515)
SATZ MIT VERSTAERKTEM ACHSSCHENKELBOLZEN (ASN -077515)
KIT PERNI DEI DUSI PER PRESTAZIONI PESANTI (ASN -077515)
JUEGO DE PIVOT DE DIRECCION PARA SERVICIO SEVERO (ASN -077515)
SATS MED EXTRA KRAFTIG HJULSPINDELBULT (ASN -077515)
RE030332 -UN-20JAN99



RE030332

5F6

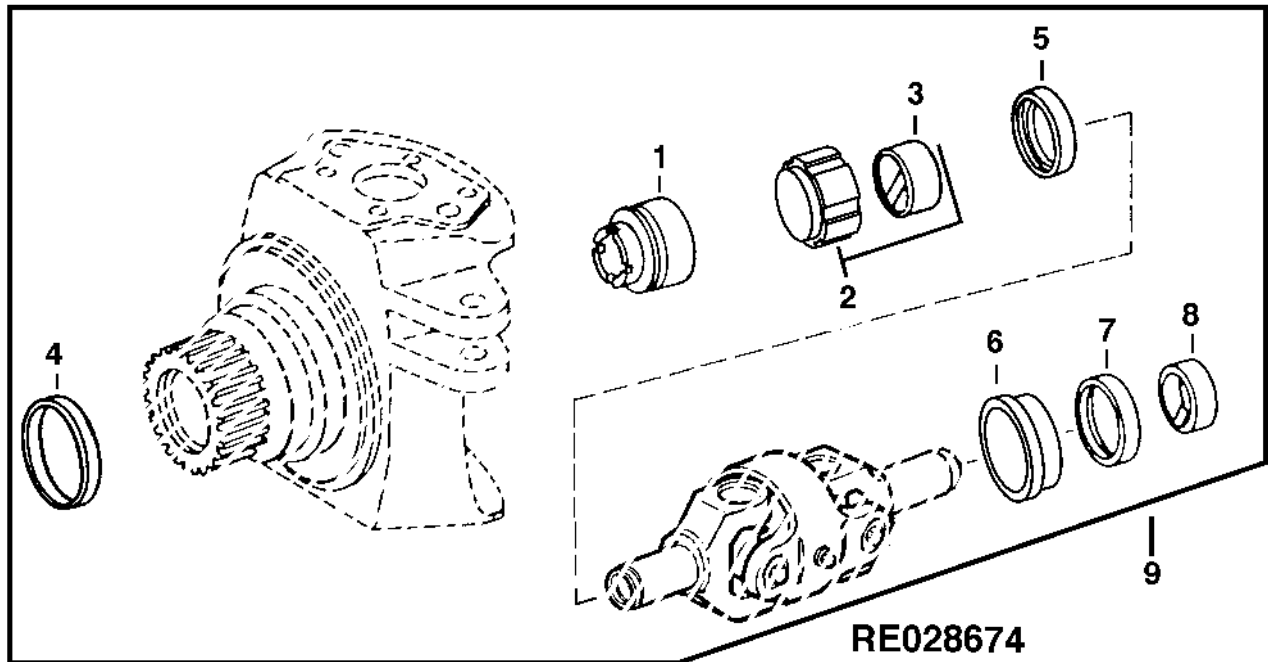
MFWD

KEY	PART NO.	PART NAME	QTY	AXLE SERIAL NO.	A L L	REMARKS
1	RE50803	SEAL	2			
2	AR94761	BEARING CONE	2			
3	R72090	BEARING CUP	2			
4	R156636	SHIM	1			
	R156637	SHIM	1			
	R156638	SHIM	2			
	R156639	SHIM	1			
5	R156627	KINGPIN	1			
6	19M7489	CAP SCREW	4			
7	RE156751	KIT	1			(ALSO ORDER RE155825 OR RE155826)

5F7

MFWD

RETROFIT SEAL KIT ASN(-077515)
KIT DE JOINTS DE MODIFICATION ASN(-077515)
NACHRUESTUNGS-DICHTRINGSATZ ASN(-077515)
KIT GUARNIZIONI DI AGGIORNAMENTO ASN(-077515)
JUEGO DE MODIFICACION DE SELLOS ASN(-077515)
TAETNINGSSATS FOER UPPDATERING ASN(-077515)
RE028674 -UN-05DEC97



5F8

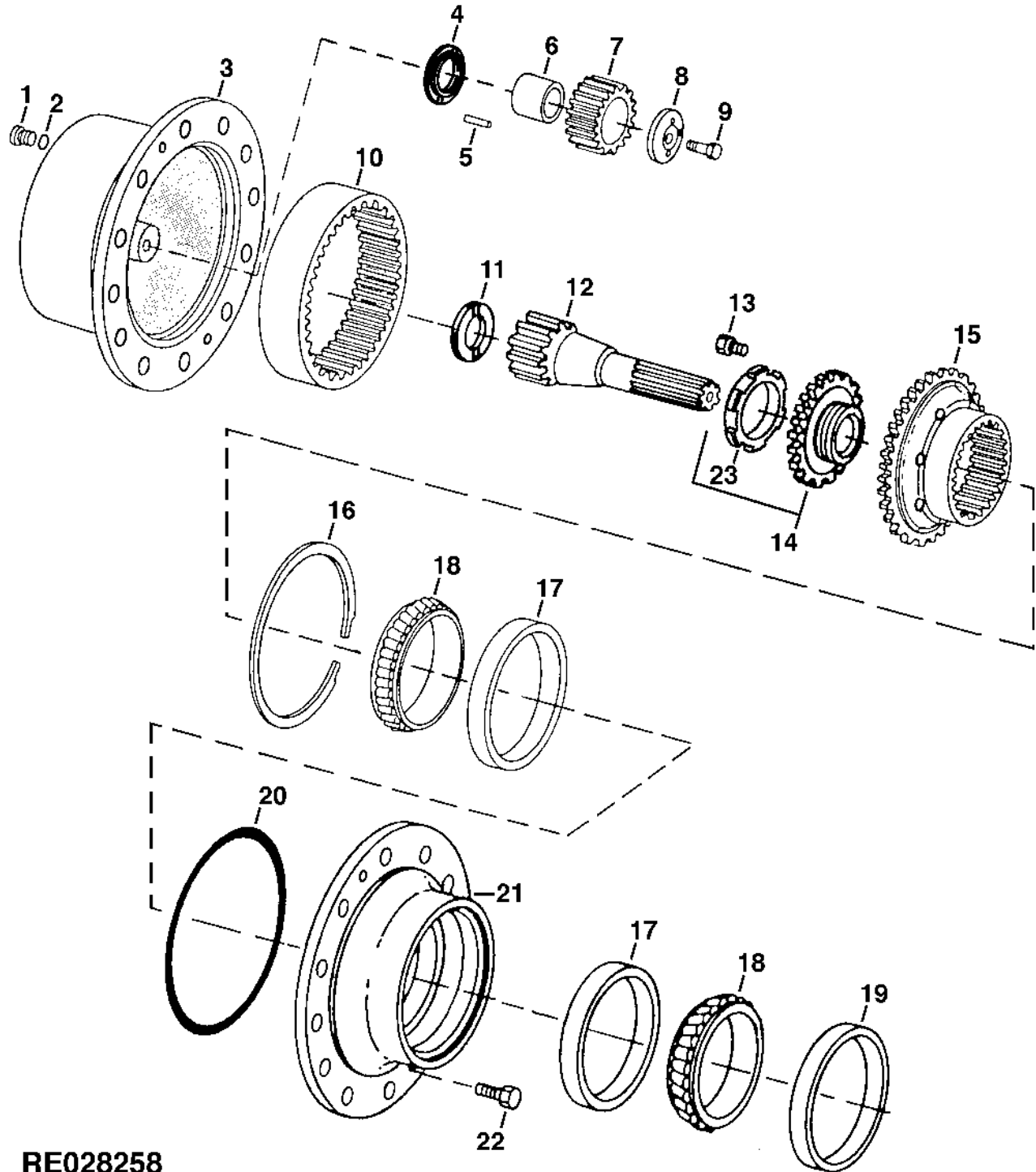
MFWD

KEY	PART NO.	PART NAME	QTY	AXLE SERIAL NO.	A L L	REMARKS
1	R135218	SPACER	1		X	
2	RE150316	SLEEVE	1		X	
3	R136467	BUSHING	1		X	
4	RE154869	SEAL	1		X	(SUB FOR RE46365)
5	RE150317	SEAL	1		X	
6	R135247	SLEEVE	1		X	
7	RE150318	SEAL	1		X	(INCLUDES RE64225)
8	R82982	BUSHING	1		X	
9	RE150320	SEAL KIT	1	-022787	X	(ALSO ORDER RE71566 OR RE70738 AND RE150319)
	RE150320	SEAL KIT	1	022788-035964	X	(ALSO ORDER RE71566 OR RE70738 AND RE67242)
	RE150320	SEAL KIT	1	035966-059073	X	(ALSO ORDER RE71566 OR RE70738)
	RE150320	SEAL KIT	1	059074-	X	

5F9

MFWD

FINAL DRIVE (MFWD) ASN(-077515)
REDUCTEUR (MFWD) ASN(-077515)
ENDANTRIEB (MFWD) ASN(-077515)
COPPIA CONICA (MFWD) ASN(-077515)
MANDO FINAL (MFWD) ASN(-077515)
NSKSCRLBSRCL (MFWD) ASN(-077515)
RE028258 -UN-14AUG97



RE028258

5F10

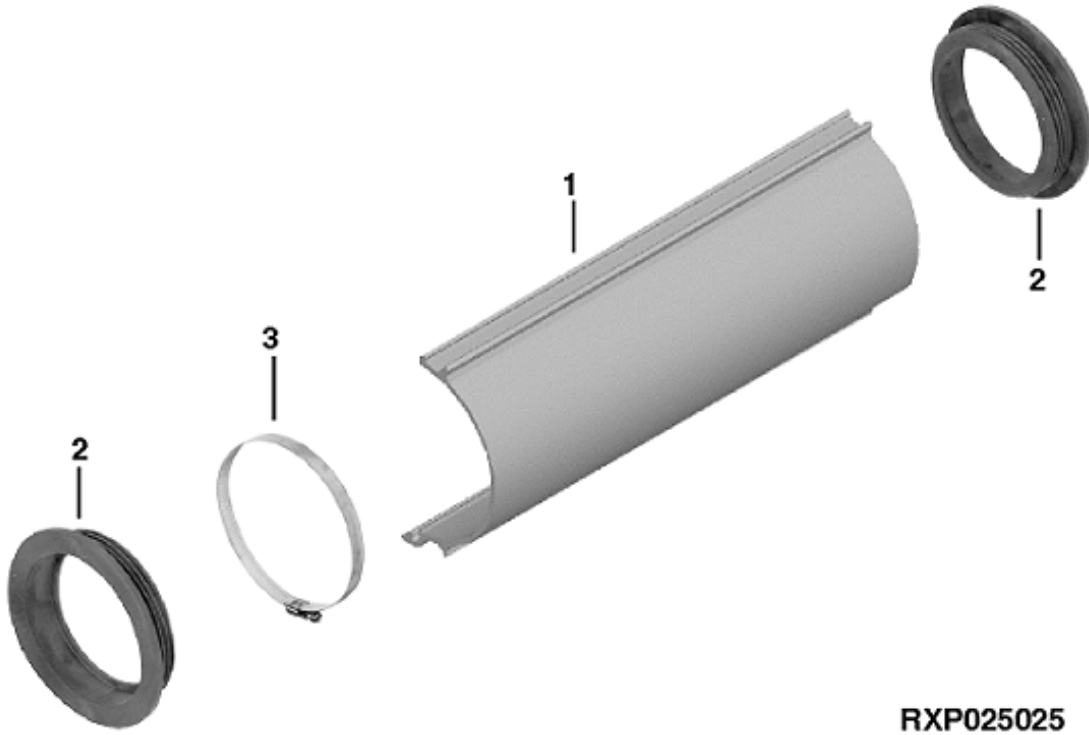
MFWD

KEY	PART NO.	PART NAME	QTY	AXLE SERIAL NO.	A L L	REMARKS
1	R98012	PLUG	2		X	
2	P47889	O-RING	2		X	
3	R104755	PLANET PINION CARRIER	2		X	
4	R92872	THRUST WASHER	6		X	
5	R121283	NEEDLE ROLLER	198		X	
6	R121362	BEARING RACE	6		X	
7	R121282	PLANET PINION	6		X	
8	R92871	RETAINER	6		X	
9	R112888	CAP SCREW	6		X	16M X 40, HS 10.9
10	R99498	RING GEAR	2		X	
11	R100774	THRUST WASHER	2		X	
12	R100246	PINION SHAFT	2	-035803	X	(SUB R131740)
	R131740	PINION SHAFT	1	035804-	X	
13	R91842	SCREW	2		X	10M X 1.5, HS 12.9
14	R99353	RETAINER	2	-022786	X	(SUB RE150319)
	R124404	RETAINER	2	022787-035803	X	(SUB RE67242)
	RE67242	RETAINER	1	035804-	X	
15	R99499	HUB	2		X	
16	R99673	SNAP RING	2		X	
17	JD9115	BEARING CUP	2		X	
18	JD9050	BEARING CONE	2		X	
19	RE154869	SEAL	2		X	(SUB FOR RE46365)
20	R87047	RING	2		X	
21	R104756	HUB	2		X	
22	19M8011	CAP SCREW	4		X	M12 X 30, HS 10.9
23	R131738	SPACER	1		X	

5F11

MFWD

DRIVELINE SHIELDING (MFWD)
 ECRAN PROTECTEUR DE L'ARBRE D'ENTRAINEMENT (TRACTION AVANT MECANIQUE)
 KARDANWELLEN SCHUTZ (MECHANISCHER FRONTANTRIEB)
 SCHERMATURA PER LENEA DI GUIDA (TRAZIONE ANTERIORE MECANICA)
 PROTECCION DEL SISTEMA DE TRANSMISION (TRACCION DELANTERA)
 KRAFTOEVERFOERINGSSKYDD (MEKANISK FRAMHJULSDRIVNING)
 RXP025025 -UN-01JAN94



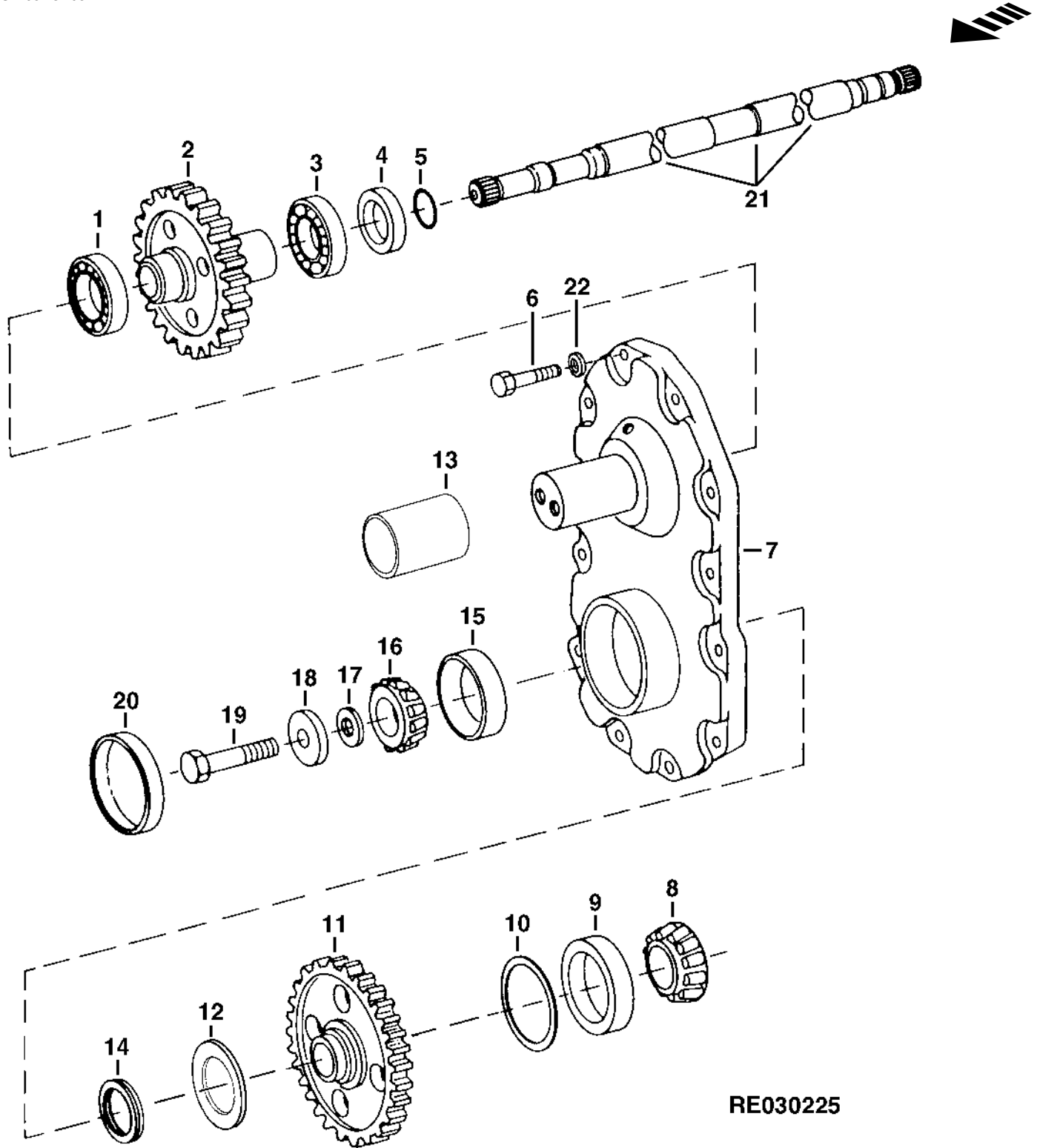
KEY	PART NO.	PART NAME	QTY	AXLE SERIAL NO.	A	REMARKS
					L	
1	R124886	SHIELD	2		X	
2	R116353	SEAL	2		X	
3	C16054	CLAMP	2		X	(SUB TY22475)

MEMORANDA
MEMORANDA
MEMORANDA
MEMORANDA
MEMORANDA

5F12

MFWD

SPUR GEAR DRIVE (MFWD) ASN(800001-)
ENTRAINEMENT PAR ENGRENAGE A PIGNON DROIT
STIRNRAD-ANTRIEB
INGRANAGGIO CILINDRICO DI DISTRIBUZIONE
MANDO DE ENGRANAJES RECTOS
DREV MED CYLINDRISKT KUGGHUJL
RE030225 -UN-06NOV98



RE030225

5F13

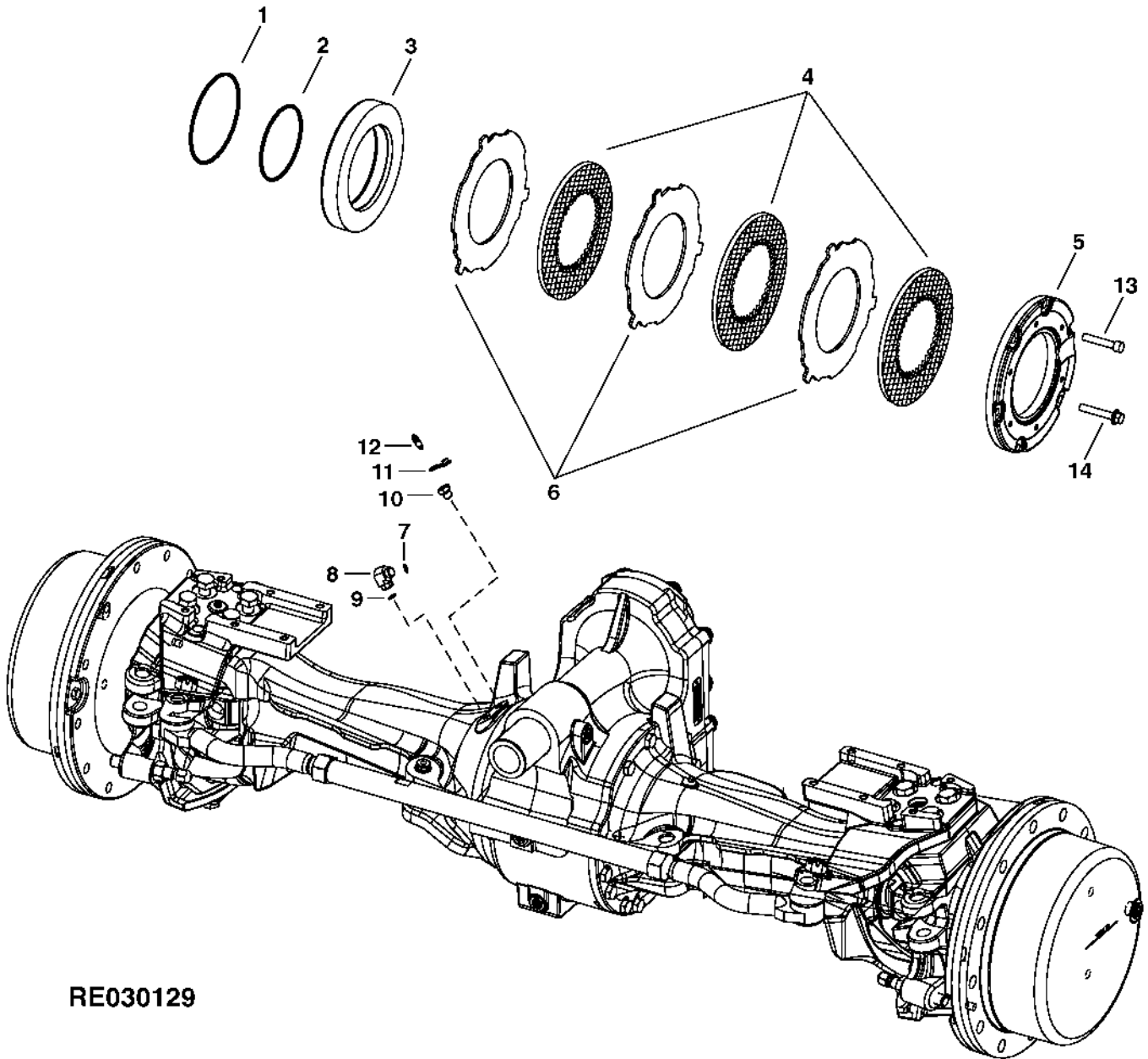
MFWD

KEY	PART NO.	PART NAME	QTY	AXLE SERIAL NO.	A L L	REMARKS
1	CH17453	BEARING	1		X	
2	R130894	GEAR	1		X	
3	JD8537	BEARING	1		X	
4	RE49315	SEAL	1		X	
5	A4540R	O-RING	1		X	
6	19M7759	CAP SCREW	12		X	M16 X 60 M16
7	R127420	COVER	1		X	
8	JD10226	BEARING CONE	1		X	
9	JD10227	BEARING CUP	1		X	
10	T61226	SNAP RING	1		X	
11	R128359	GEAR	1		X	
12	R128360	WASHER	1		X	
13	R107718	SLEEVE	1		X	
14	R83474	RING	1		X	
15	JD9109	BEARING CUP	1		X	
16	JD9043	BEARING CONE	1		X	
17	T13331	SHIM	AR		X	0.003
	T13332	SHIM	AR		X	0.005
	T13333	SHIM	AR		X	0.010
	24H1390	SHIM	AR		X	
18	R126422	WASHER	1		X	
19	19M7409	CAP SCREW	1		X	M16 X 50, HS 10.9
20	T12529	CAP	1		X	
21	R130895	SHAFT	1		X	
22	24M7241	WASHER	12		X	17 X 34 X 4 MM

5F14

MFWD

SECONDARY BRAKE (EUROPEAN VERSION) ASN(800001-))
FREIN SECONDAIRE (VERSION EUROPEENNE) ASN(800001-))
ZWEITBREMSE (EUROPAEISCHE AUSFUEHRUNG) ASN(800001-))
FRENO SECONDAARIO (VERSIONE EUROPEA) ASN(800001-))
FRENO SECUNDARIO (VERSION EUROPEA) ASN(800001-))
PARKERINGSBROMS (EUROPEISK VERSION) ASN(800001-))
RE030129 -UN-06NOV98



RE030129

5F15

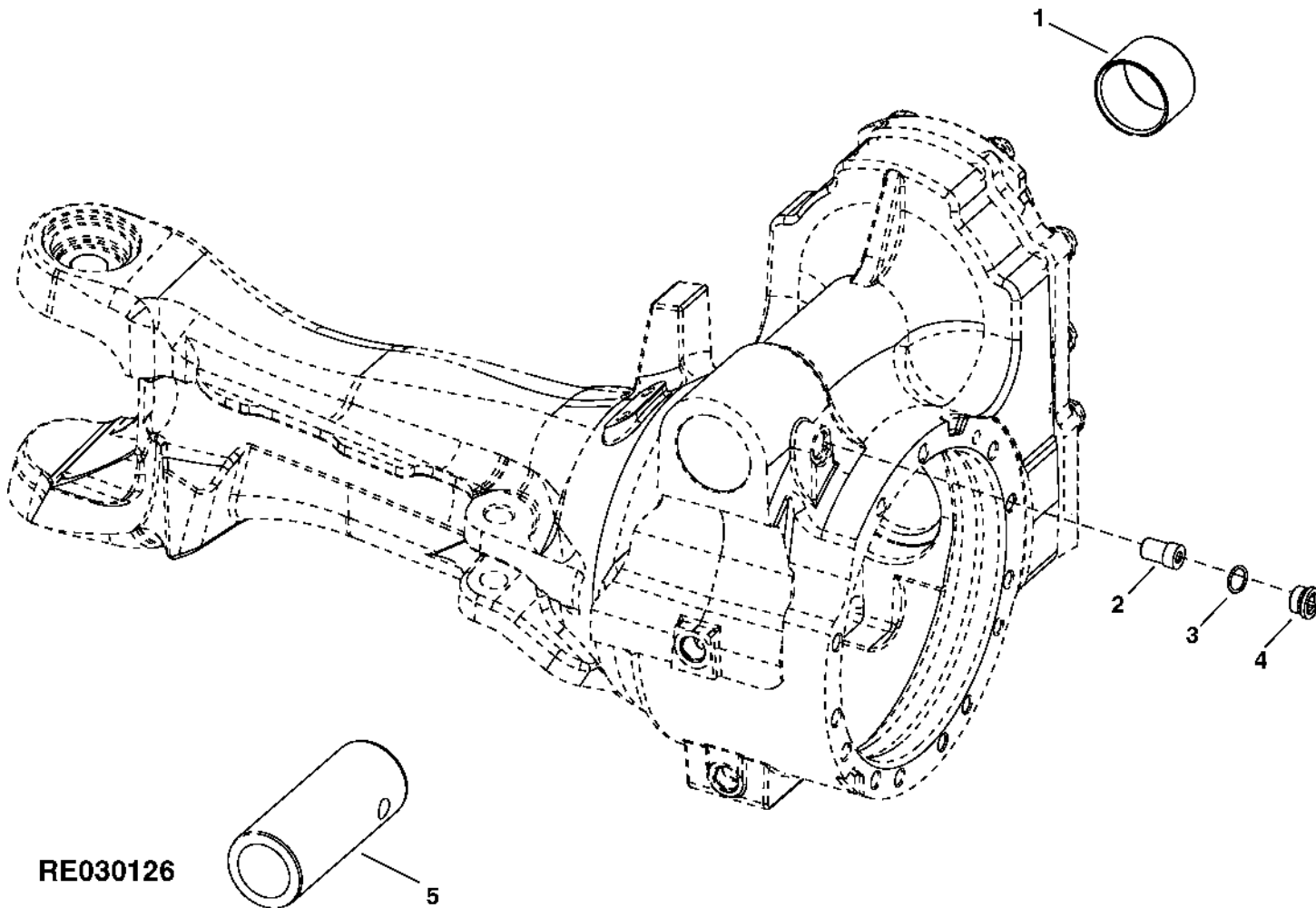
MFWD

KEY	PART NO.	PART NAME	QTY	AXLE SERIAL NO.	A L L	REMARKS
1	R158630	SEAL	1		X	
2	R158631	SEAL	1		X	
3	R150222	PISTON	1		X	
4	RE159560	DISK, WITH INNER SPLINE	3		X	
5	R136355	BRAKE DISK	1		X	
6	R150350	BRAKE DISK	3		X	
7	T77613	O-RING	1		X	
8	38H1004	ELBOW FITTING	1		X	
9	R26448	O-RING	1		X	
10	R106789	BUSHING	1		X	
11	R100122	PLUG	1		X	
12	R21612	BLEED SCREW	1		X	
13	19M8912	SCREW	1		X	
14	19M7817	SCREW	5		X	

5F16

MFWD

MFWD PIVOT ASN(800001-)
PIVOT DE PONT AVANT ASN(800001-)
VORDERACHSGELENKZAPFEN ASN(800001-)
PERNO MFWD ASN(800001-)
PIVOTE DE TDM ASN(800001-)
MFWD-SVAENGTAPP ASN(800001-)
RE030126 -UN-06NOV98



5F17

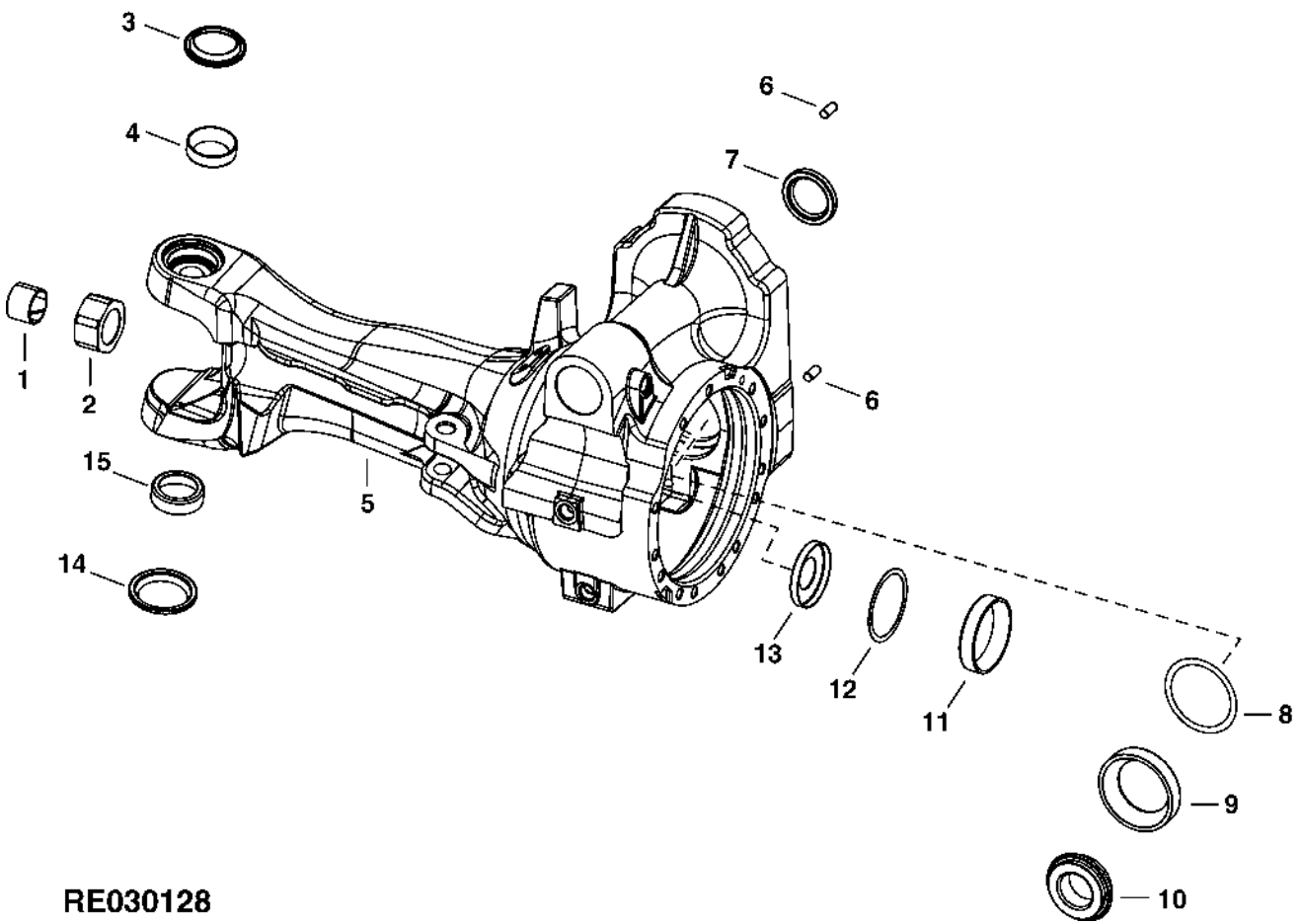
MFWD

KEY	PART NO.	PART NAME	QTY	AXLE SERIAL NO.	A L L	REMARKS
1	R107718	SLEEVE	1		X	
2	R122120	PIN	1		X	
3	P47889	O-RING	1		X	
4	R98012	PLUG	1		X	
5	R107719	BUSHING	1		X	

5F18

MFWD

AXLE HOUSING (LH) (MFWD) ASN(800001-)
TROMPETTE D'ESSIEU (LH) (MFWD) ASN(800001-)
ACHSGEHAEUSE (LH) (MFWD) ASN(800001-)
ALLOGGIAMENTO DELL'ASSALE (LH) (MFWD) ASN(800001-)
CAJA DEL EJE (LH) (MFWD) ASN(800001-)
AXELHUS (LH) (MFWD) ASN(800001-)
RE030128 -UN-06NOV98



RE030128

5F19

MFWD

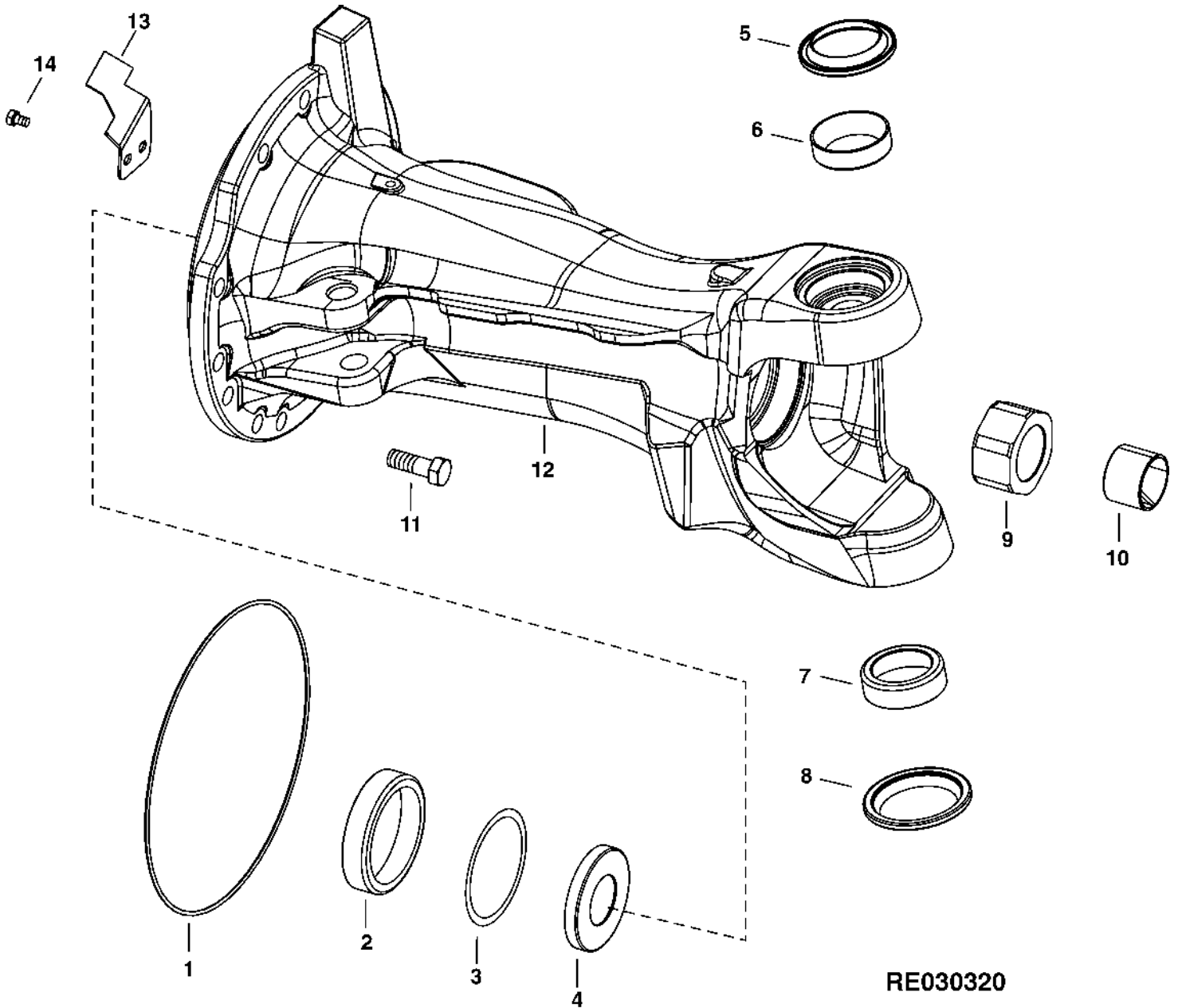
KEY	PART NO.	PART NAME	QTY	AXLE SERIAL NO.	A L L	REMARKS
1	R130069	BUSHING	1		X	
2	R133871	SPACER	1		X	
3	RE50803	SEAL	1		X	
4	JD7292	BEARING CUP	1		X	
5	R135989	CASE	1		X	
	R135990	CASE	1		X	(A)
6	R48685	DOWEL PIN	2		X	
7	RE49315	SEAL	1		X	
8	R83150	SHIM	AR		X	
	R83151	SHIM	AR		X	
	R83152	SHIM	AR		X	
9	JD10227	BEARING CUP	1		X	
10	JD10226	BEARING CONE	1		X	
11	JD7292	BEARING CUP	1		X	
12	R131996	SHIM	AR		X	
	R131997	SHIM	AR		X	
	R131998	SHIM	AR		X	
	R131999	SHIM	AR		X	
	R132000	SHIM	AR		X	
	R132001	SHIM	AR		X	
13	R150907	PLUG	1		X	
14	RE71181	SEAL	1		X	
15	JD8252	BEARING CUP	1		X	

EUROPEAN VERSION

5F20

MFWD

AXLE HOUSING (RH) (MFWD) ASN(800001-)
TROMPETTE D'ESSIEU (RH) (MFWD) ASN(800001-)
ACHSGEHAEUSE (RH) (MFWD) ASN(800001-)
ALLOGGIAMENTO DELL'ASSALE (RH) (MFWD) ASN(800001-)
CAJA DEL EJE (RH) (MFWD) ASN(800001-)
AXLEHUS (RH) (MFWD) ASN(800001-)
RE030320 -UN-19JAN99



RE030320

5F21

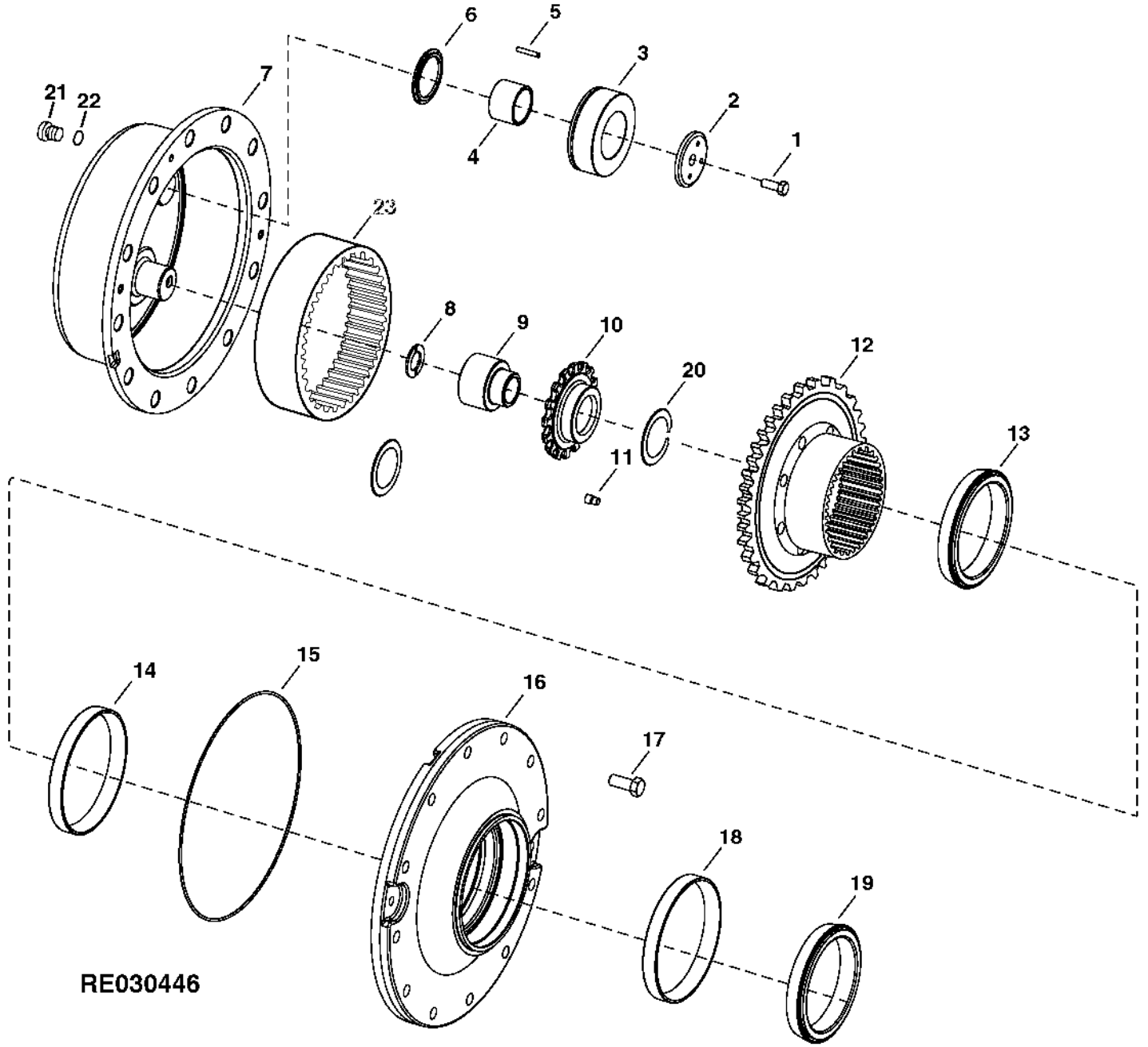
MFWD

KEY	PART NO.	PART NAME	QTY	AXLE SERIAL NO.	A L L	REMARKS
1	R37287	O-RING	1		X	
2	JD7292	BEARING CUP	1		X	
3	R131996	SHIM	AR		X	
	R131997	SHIM	AR		X	
	R131998	SHIM	AR		X	
	R131999	SHIM	AR		X	
	R132000	SHIM	AR		X	
	R132001	SHIM	AR		X	
4	R150907	PLUG	1		X	
5	RE50803	SEAL	1		X	
6	JD8252	BEARING CUP	1		X	
7	R72090	BEARING CUP	1		X	
8	RE71181	SEAL	1		X	
9	R133871	SPACER	1		X	
10	R130069	BUSHING	1		X	
11	19M7489	CAP SCREW	13		X	M16 X 45
12	R135991	HOUSING	1		X	
13	R159204	DEFLECTOR	1		X	
14	19M7932	CAP SCREW	2		X	

5F22

MFWD

FINAL DRIVE (MFWD) ASN(800001-)
REDUCTEUR (MFWD) ASN(800001-)
ENDANTRIEB (MFWD) ASN(800001-)
COPPIA CONICA (MFWD) ASN(800001-)
MANDO FINAL (MFWD) ASN(800001-)
NSKSCRLBSRCL (MFWD) ASN(800001-)
RE030446 -UN-11MAY99



RE030446

5F23

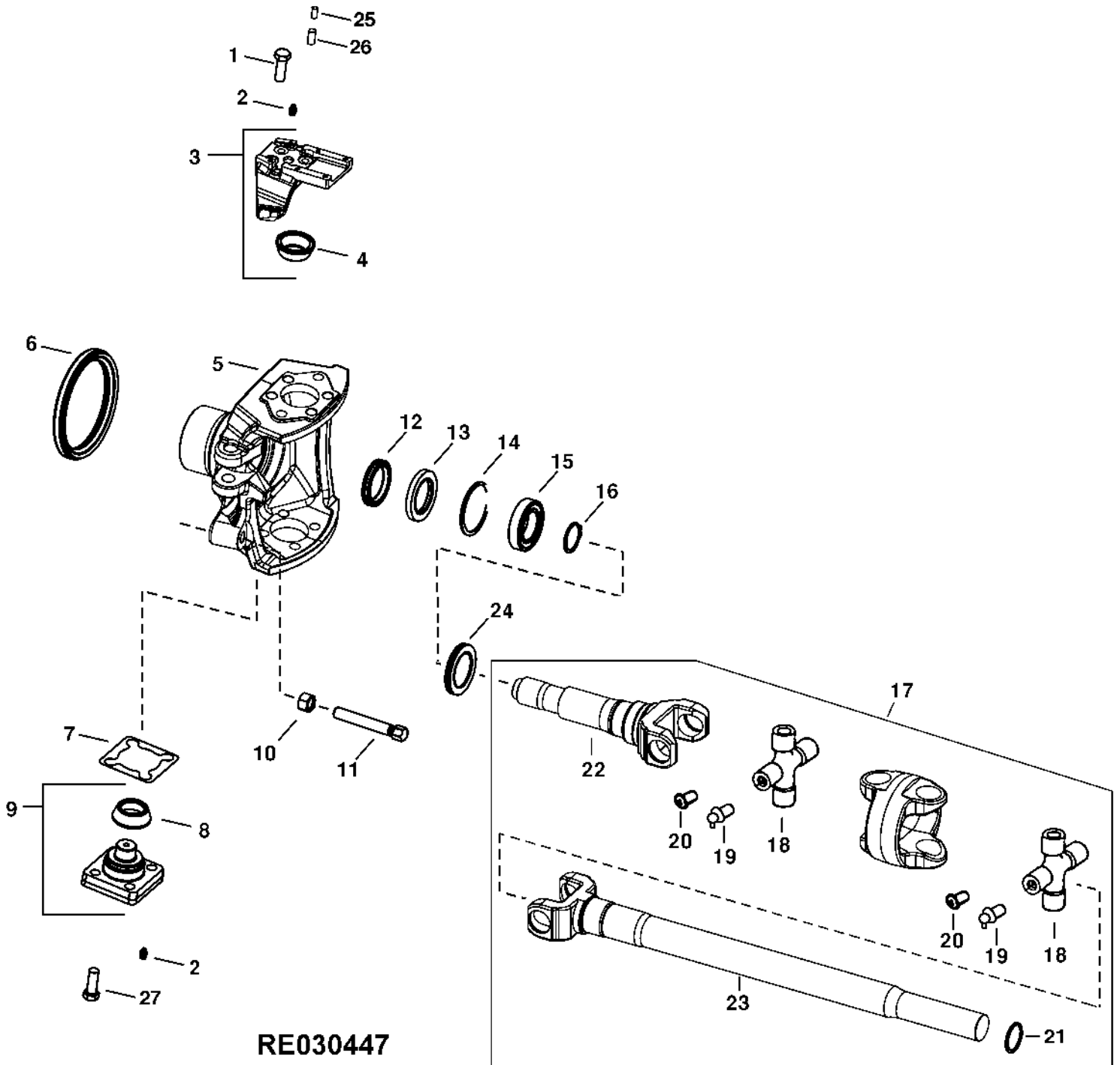
MFWD

KEY	PART NO.	PART NAME	QTY	AXLE SERIAL NO.	A L L	REMARKS
1	R112888	CAP SCREW	3		X	
2	R92871	RETAINER	3		X	
3	R121282	PLANET PINION	3		X	
4	R121362	BEARING RACE	3		X	
5	R121283	NEEDLE ROLLER	99		X	
6	R92872	THRUST WASHER	3		X	
7	R104755	PLANET PINION CARRIER	1		X	
8	R100774	THRUST WASHER	1		X	
9	R130078	PINION	1		X	
10	R124404	RETAINER	1		X	
11	R91842	SCREW	1		X	
12	R99499	HUB	1		X	
13	JD9050	BEARING CONE	1		X	
14	JD9115	BEARING CUP	1		X	
15	R87047	RING	1		X	
16	R135866	HUB	1		X	
17	19M8011	CAP SCREW	1		X	
18	JD9115	BEARING CUP	1		X	
19	JD9050	BEARING CONE	1		X	
20	R99673	SNAP RING	1		X	
21	R98012	PLUG	1		X	
22	P47889	O-RING	1		X	
23	R156869	RING GEAR	1		X	

5F24

MFWD

STEERING ARM AND KNUCKLE ASN(800001-)
BRAS ET ARTICULATION DE DIRECTION ASN(800001-)
SPURHEBEL UND LENKACHSSCHENKEL ASN(800001-)
BRACCIO DI GOVERNO E ARTICLAZIONE ASN(800001-)
ROTULA Y BRAZO DE LA DIRECCION ASN(800001-)
STYRARM OCH-SPINDEL ASN(800001-)
RE030447 -UN-15APR99



5F25

MFWD

KEY	PART NO.	PART NAME	QTY	AXLE SERIAL NO.	A L L	REMARKS
1	19M8002	CAP SCREW	4		X	M20 X 55
2	JD7759	LUBRICATION FITTING	2		X	
3	RE158048	ARM	1		X	L.H.
	RE158047	ARM	1		X	R.H.
4	AR94761	BEARING CONE	1		X	
5	R135865	HOUSING	1		X	L.H.
	R135864	HOUSING	1		X	R.H.
6	RE154869	SEAL	1		X	
7	R131673	SHIM	AR		X	
	R131675	SHIM	AR		X	
	R131676	SHIM	AR		X	
	R131985	SHIM	AR		X	
8	JD8930	BEARING CONE	1		X	
9	RE71437	KINGPIN	1		X	
10	14M7277	NUT	1		X	
11	R133288	BOLT	1		X	
12	RE65592	SEAL	1		X	
13	RE65591	SEAL	1		X	
14	40M1873	SNAP RING	1		X	
15	JD9346	BALL BEARING	1		X	
16	40M7166	SNAP RING	1		X	
17	RE65595	SHAFT	1	-800511	X	
	RE157739	UNIVERSAL JOINT	1	800512-	X	
18	RE65621	UNIVERSAL JOINT CROSS	2		X	
19	58M5578	LUBRICATION FITTING	4		X	
20	15M7033	PIPE PLUG	4		X	
21	RE65596	SEAL	1		X	
22	R153306	YOKE	1	-800511	X	(A)
	R157897	YOKE	1	800512-	X	(A)
23	R153307	YOKE	1		X	(B)
24	R157679	OIL SLINGER	1	800512-	X	
25	34M7077	SPRING PIN	2		X	
26	34M7128	SPRING PIN	2		X	
27	19M7496	CAP SCREW	4		X	

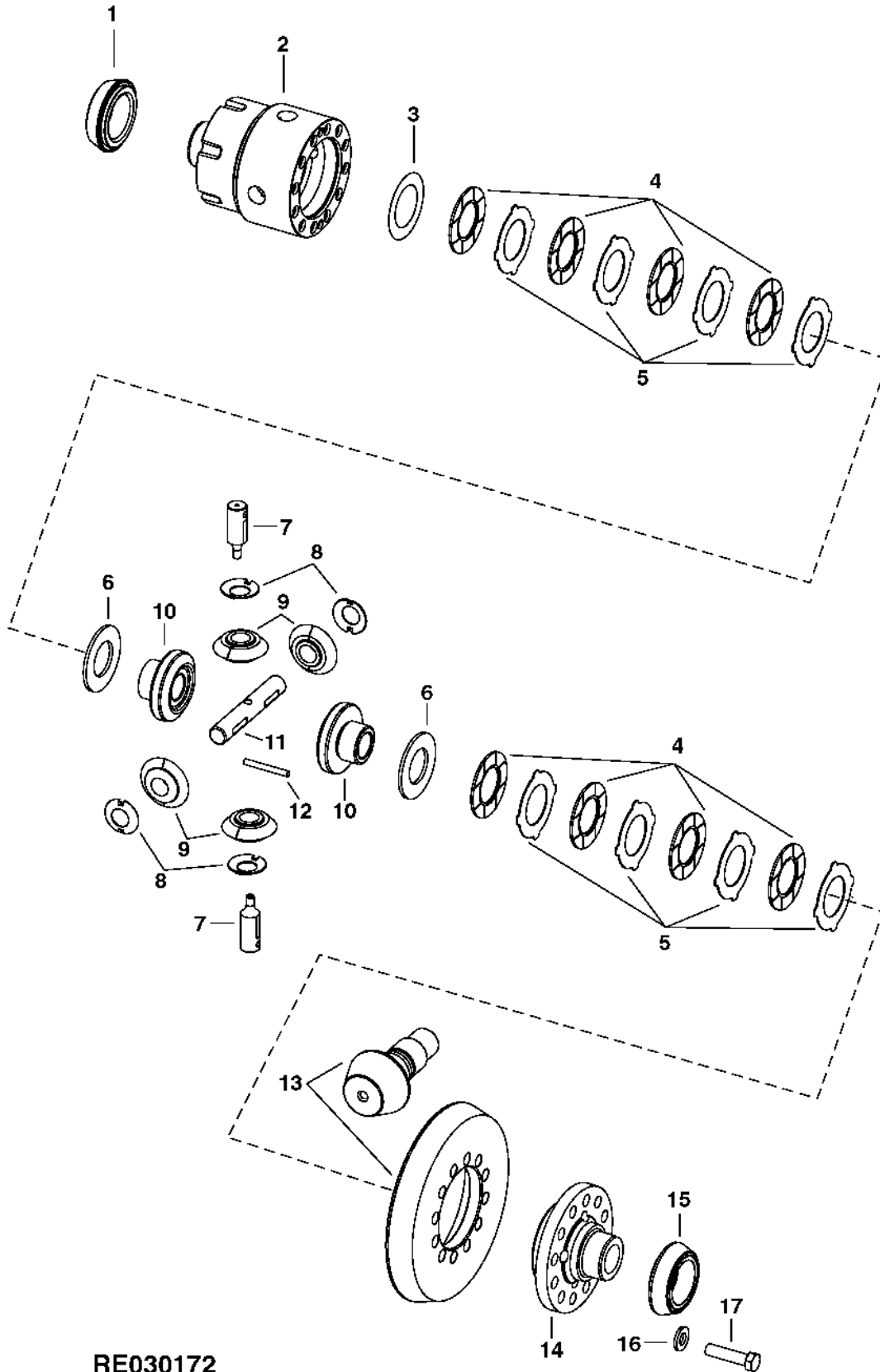
(A) OUTBOARD
EXTERIEUR
AUSSEN
ESTERNO
EXTERIOR
YTTRE

(B) INBOARD
INTERERIEUR
INNEN
INTERNO
INTERIOR
INRE

5G1

MFWD

DIFFERENTIAL(STANDARD)(MFWD)ASN(800001-))
DIFFERNTIEL (STANDARD) (MFWD)ASN(800001-))
DIFFERENTIAL (STANDARD) (MFWD)ASN(800001-))
DIFFERENZIALE (STANDARD) (MFWD)ASN(800001-))
DIFFERENCIAL (NORMAL) (MFWD) ASN(800001-))
DIFFERENTIAL (STANDARD) (MFWD)ASN(800001-))
RE030172 -UN-06NOV98



RE030172

5G2

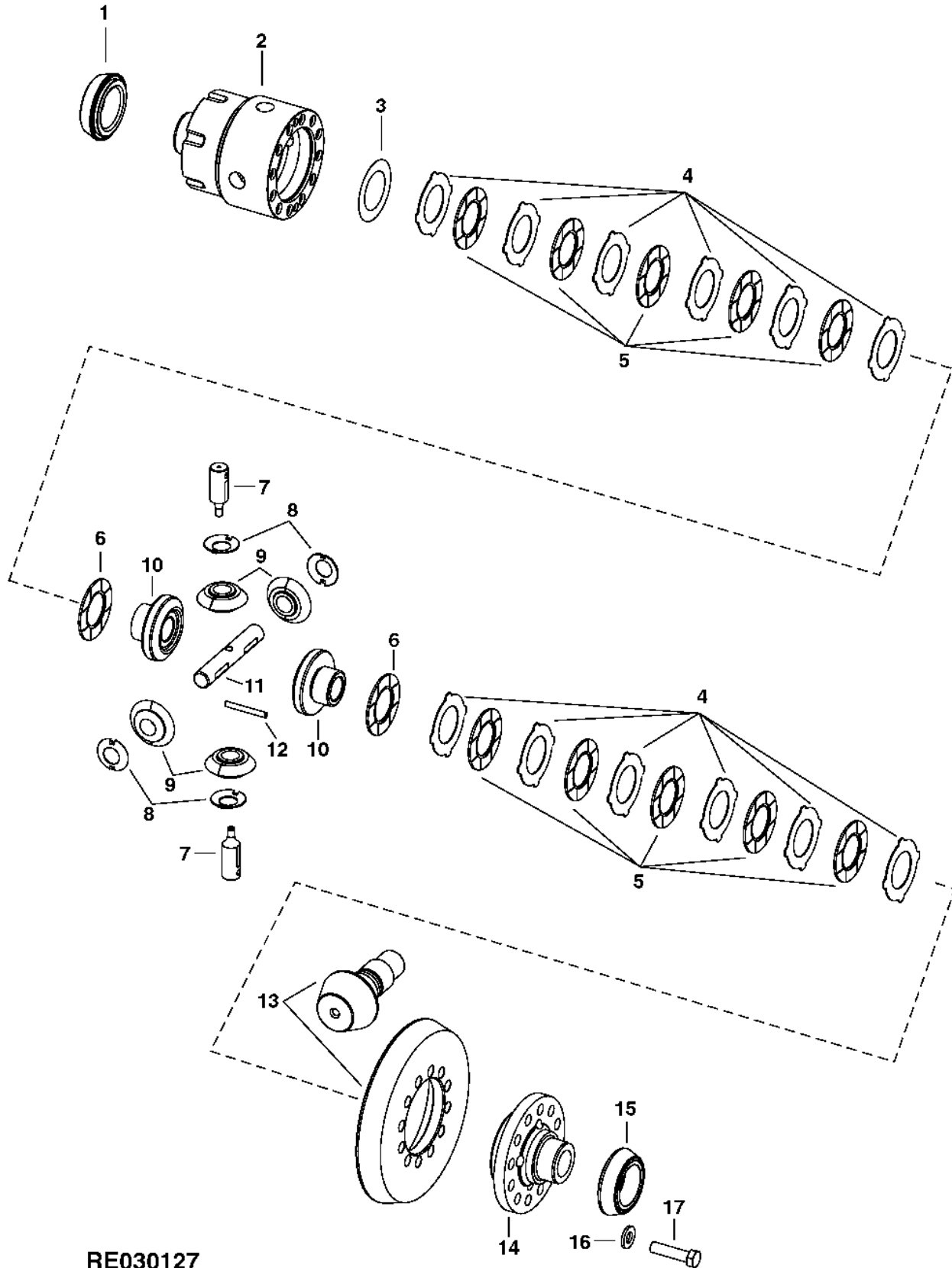
MFWD

KEY	PART NO.	PART NAME	QTY	AXLE SERIAL NO.	A L L	REMARKS
1	JD7242	BEARING CONE	1		X	
2	R133867	HOUSING	1		X	
3	R132971	SHIM	AR		X	
	R83559	SHIM	AR		X	
	R83560	SHIM	AR		X	
4	RE43059	DISK	4		X	
5	R82908	PLATE	4		X	
6	R131336	SPACER	2		X	
7	R131511	SHAFT	2		X	
8	R135876	THRUST WASHER	4		X	
9	R135875	PINION	4		X	
10	R133149	BEVEL GEAR	2		X	
11	R131346	SHAFT	1		X	
12	R62129	PIN	2		X	
13	RE67924	BEVEL GEAR	1		X	(MARKED R129108 AND R132916)
14	R130753	HOUSING	1		X	
15	JD7242	BEARING CONE	1		X	
16	24M7338	WASHER	12		X	
17	19M8995	CAP SCREW	12		X	

5G3

MFWD

DIFFERENTIAL(HIGH CAPACITY)(MFWD)ASN(800001-))
DIFFERENTIAL (HAUTE CAPACITE) (MFWD)ASN(800001-))
DIFFERENTIAL (HOHE KAPZAITAET) (MFWD)ASN(800001-))
DIFFERENZIALE (ALTA CAPACITA) (MFWD)ASN(800001-))
DIFFERENCIAL (CPACIDAD ALTA) (MFWD)ASN(800001-))
DIFFERNTIAL (HOEG KAPACITET) (MFWD)ASN(800001-))
RE030127 -UN-06NOV98



RE030127

5G4

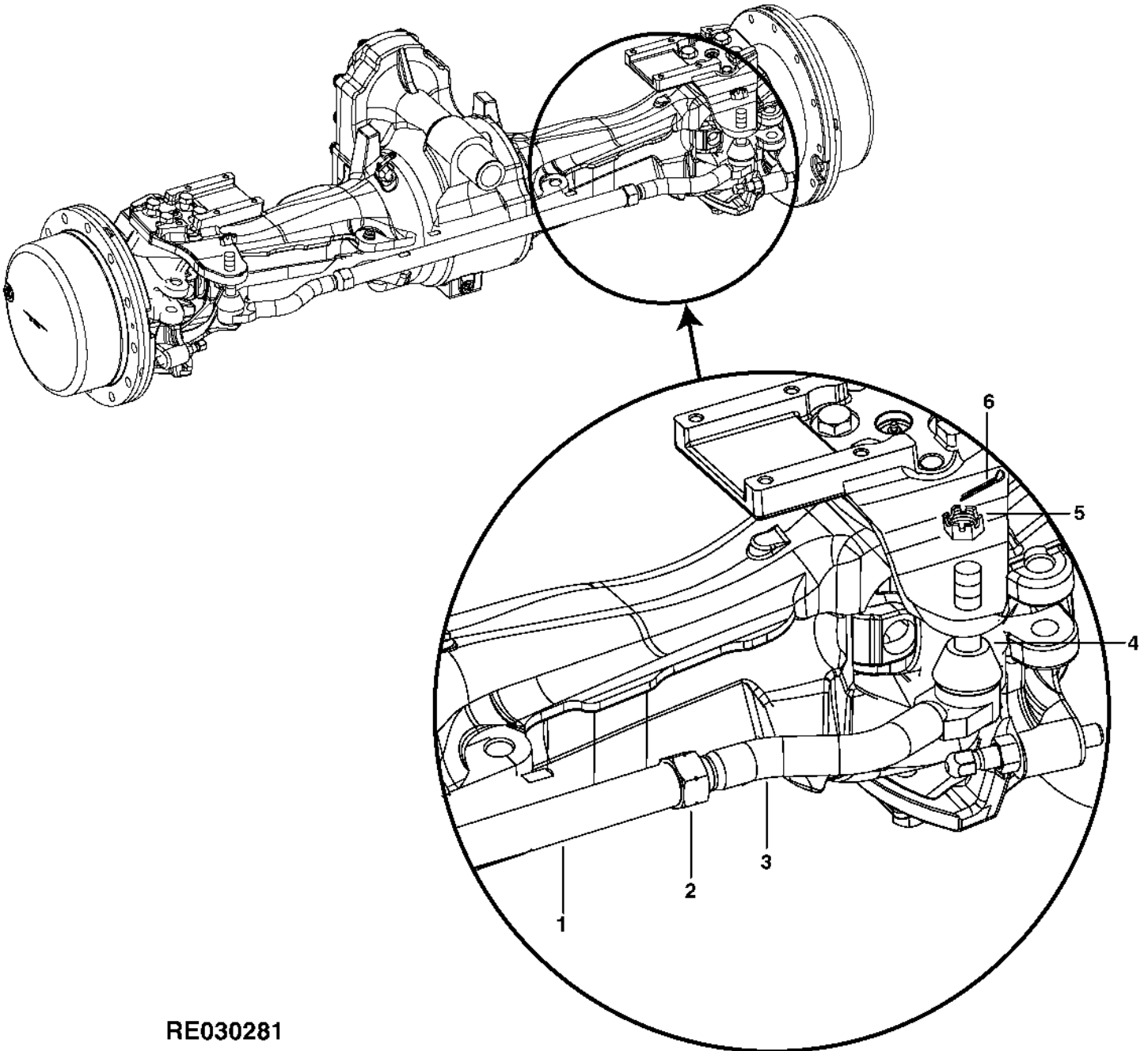
MFWD

KEY	PART NO.	PART NAME	QTY	AXLE SERIAL NO.	A L L	REMARKS
1	JD7242	BEARING CONE	1		X	
2	R131418	HOUSING	1		X	
3	R132971	SHIM	AR		X	
	R83559	SHIM	AR		X	
	R83560	SHIM	AR		X	
4	R82908	PLATE	12		X	
5	RE43059	DISK	10		X	
6	RE43058	DISK	2		X	
7	R131511	SHAFT	2		X	
8	R135876	THRUST WASHER	4		X	
9	R135875	PINION	4		X	
10	R133149	BEVEL GEAR	2		X	
11	R131346	SHAFT	1		X	
12	R62129	PIN	2		X	
13	RE67924	BEVEL GEAR	1		X	(MARKED R129108 AND R132916)
14	R130753	HOUSING	1		X	
15	JD7242	BEARING CONE	1		X	
16	24M7338	WASHER	12		X	
17	19M8995	CAP SCREW	12		X	

5G5

MFWD

TIE ROD (MFWD) ASN(800001-)
BARRE D'ACCOUPLMENT (MFWD) ASN(800001-)
SPURSTANGE (MFWD) ASN(800001-)
BARRA D'ACCOPIAMENTO (MFWD) ASN(800001-)
BARRA TRANSV. DE DIRECTION (MFWD) ASN(800001-)
PARALLELLSTAG (MFWD) ASN(800001-)
RE030281 -UN-22DEC98



RE030281

5G6

MFWD

KEY	PART NO.	PART NAME	QTY	AXLE SERIAL NO.	A L L	REMARKS
1	R124745	TIE ROD	1		X	
2	R121022	LOCK NUT	1		X	RH
	R121023	LOCK NUT	1		X	LH
3	RE61402	TIE ROD	1		X	RH
	RE61401	TIE ROD	1		X	LH
4	R78027	COVER	2		X	
5	14H875	NUT	2		X	
6	11M7017	COTTER PIN	2		X	
..	RE61217	TIE ROD	1		X	(INCLUDES R124745, R121022, R121023, RE61401, RE61402, (2) R78027, (2) 14H875 AND (2) 11M7017)

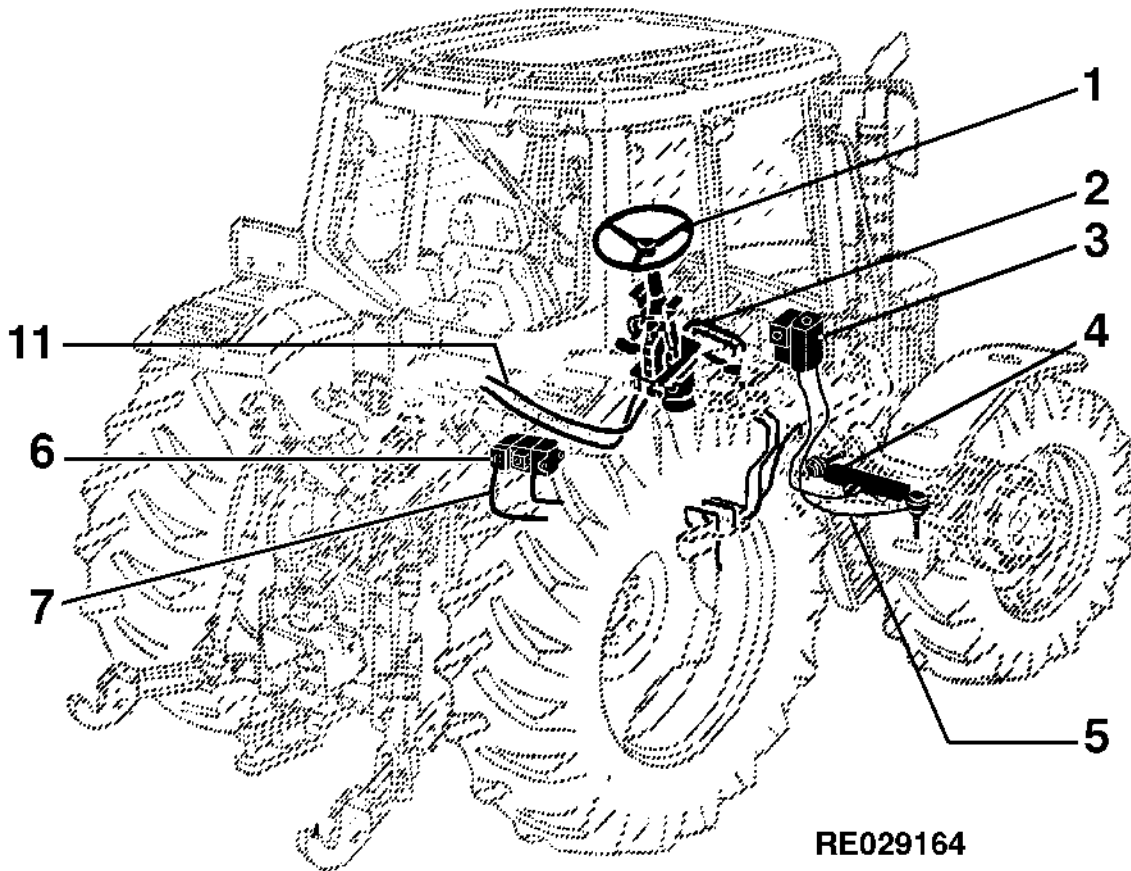
MEMORANDA
MEMORANDA
MEMORANDA
MEMORANDA
MEMORANDA

6D4

SECTIONAL INDEX
INDEX DE SECTION
GRUPPENINDEX
INDICE DELLA SEZIONE
INDICE DE SECCION
GRUPPSFORTECKNING

RE029164 -UN-10MAY99

1 -	6D6
2 -	6D8
3 -	6D14
4 -	6D20
5 -	6E3
6 -	6E9
7 -	6E13
8 -	6E19
9 -	6F2
10 -	6F4
11 -	6F5
12 -	6F13
16 -	6F17
13 -	6G13
14 -	6H10
15 -	6I5

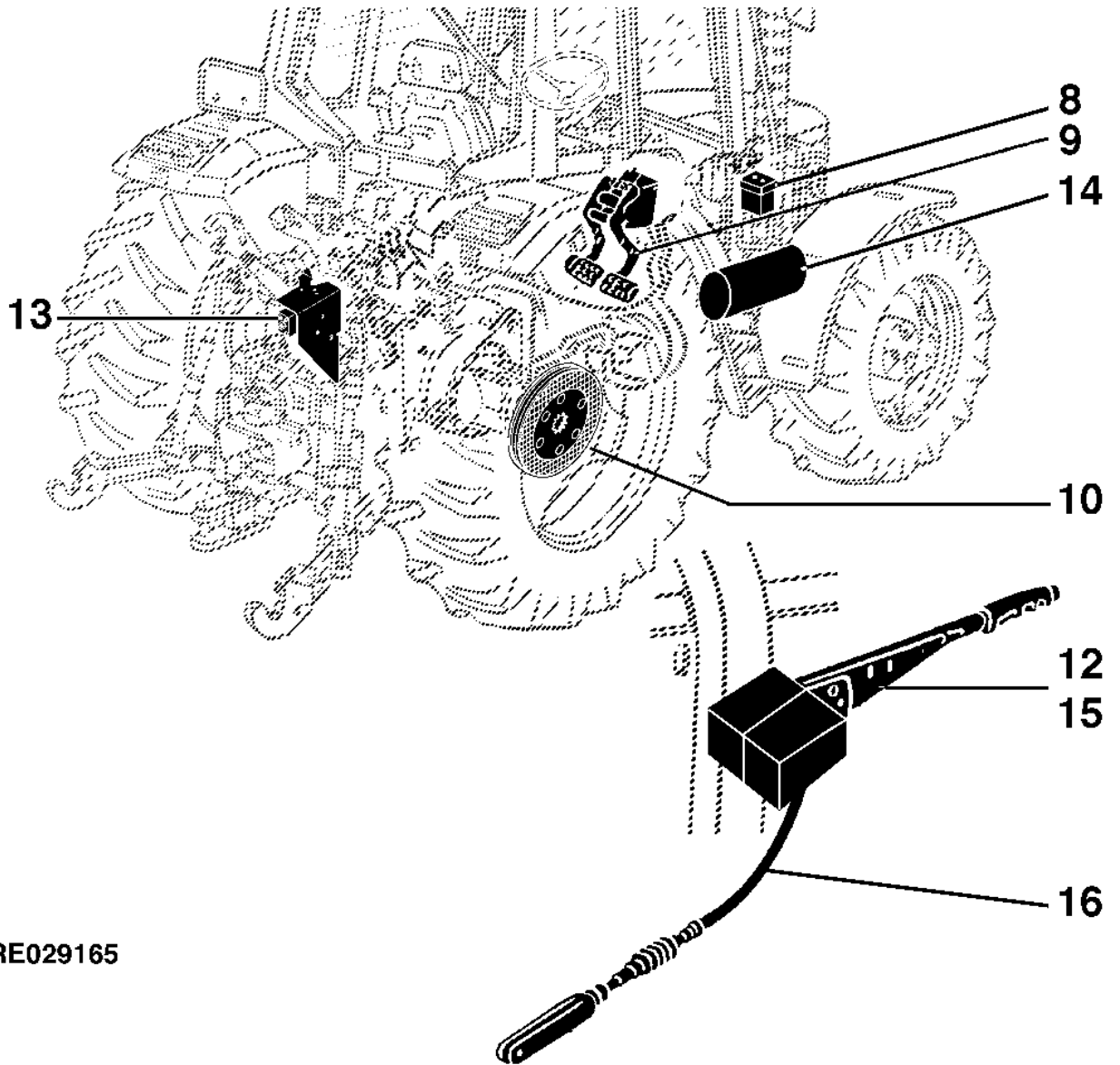


6D5

SECTIONAL INDEX
INDEX DE SECTION
GRUPPENINDEX
INDICE DELLA SEZIONE
INDICE DE SECCION
GRUPPSFORTECKNING

RE029165 -UN-10MAY99

1-	6D6
2-	6D8
3-	6D14
4-	6D20
5-	6E3
6-	6E9
7-	6E13
8-	6E19
9-	6F2
10-	6F4
11-	6F5
12-	6F13
16-	6F17
13-	6G13
14-	6H10
15-	6I5

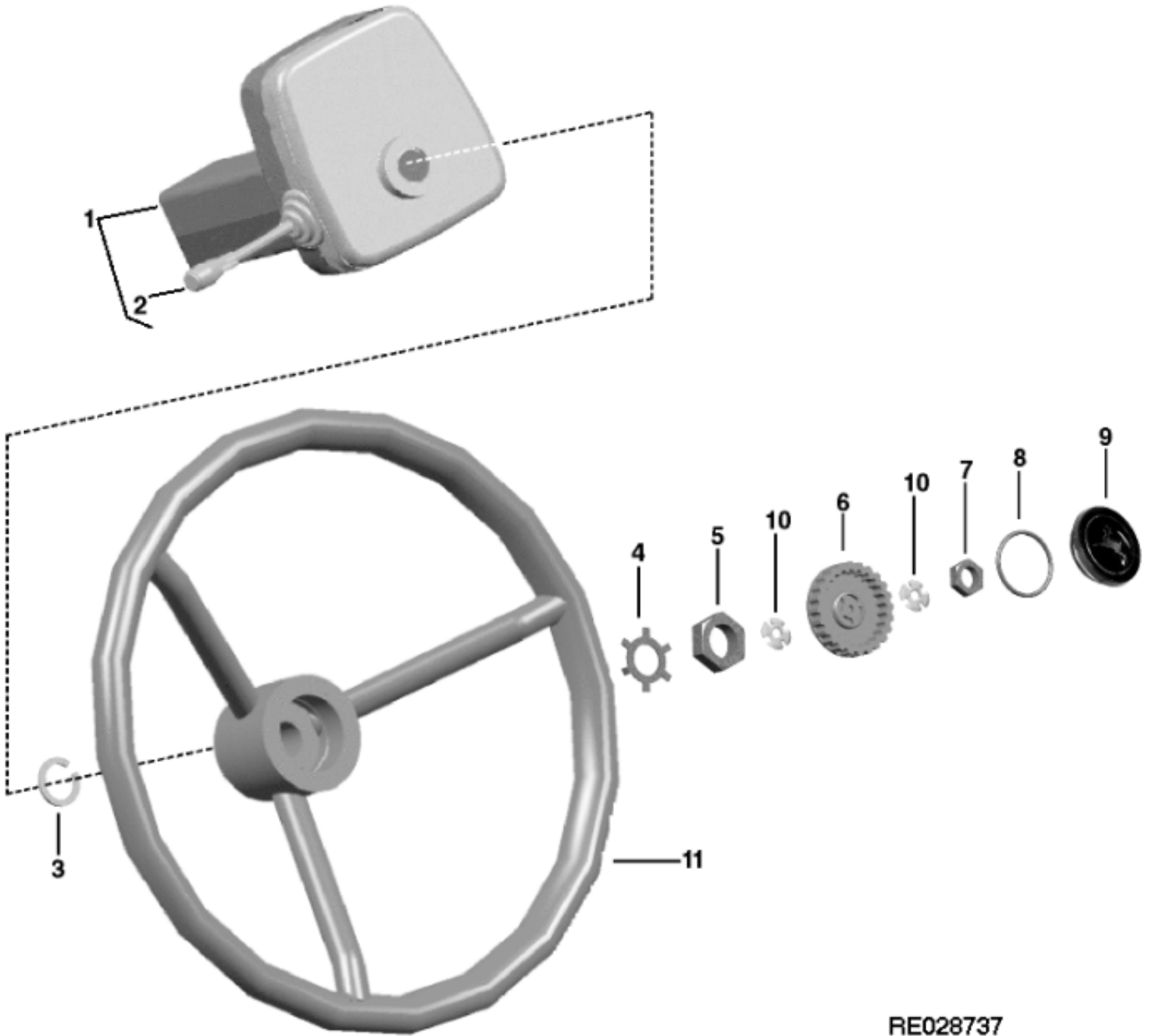


RE029165

MEMORANDA
MEMORANDA
MEMORANDA
MEMORANDA
MEMORANDA

6D6

STEERING WHEEL
VOLANT DE DIRECTION
LENKRAD
VOLANTE
VOLANTE DE LA DIRECCION
RATT
RE028737 -UN-08JAN98



RE028737

6D7

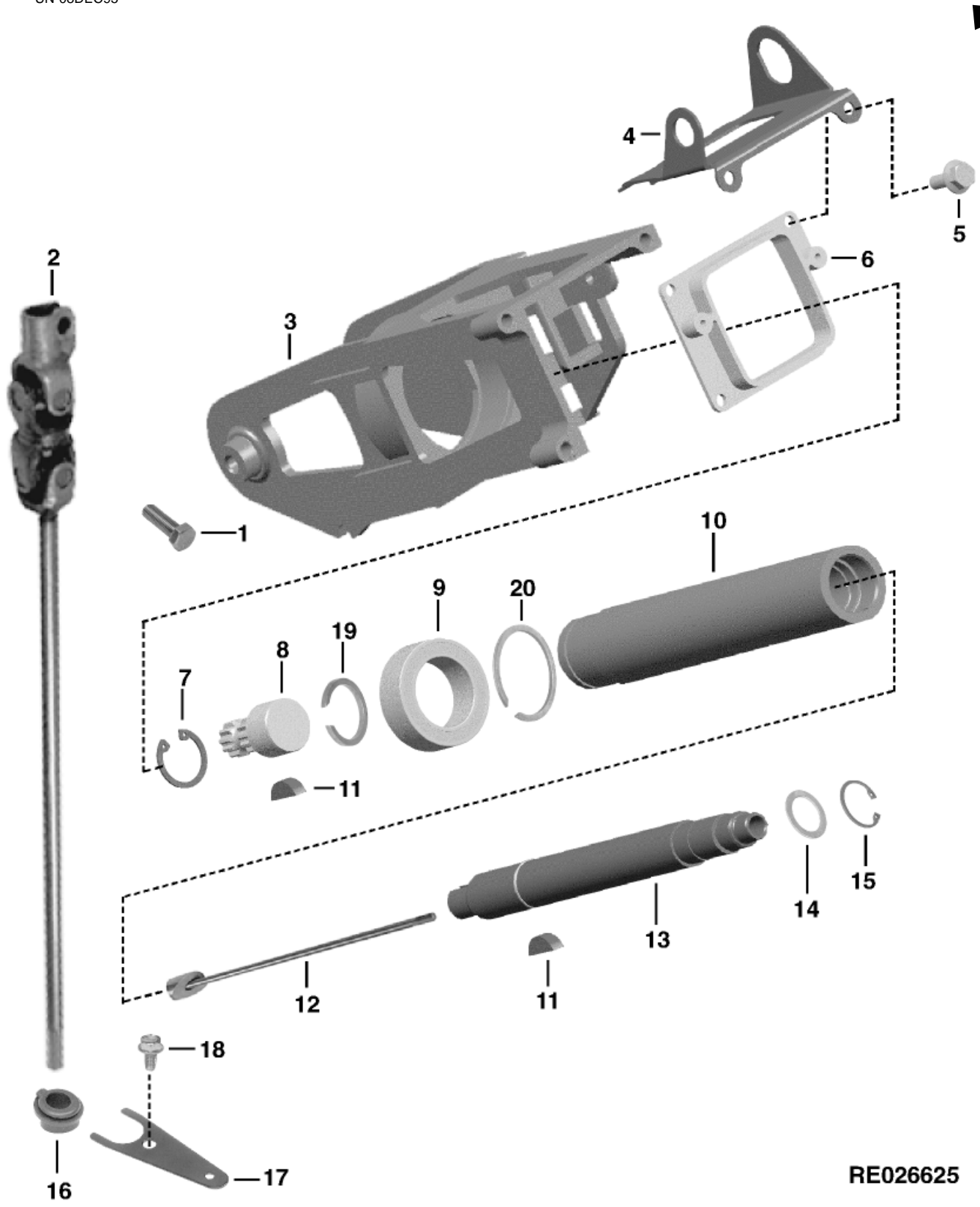
STEERING AND BRAKES

KEY	PART NO.	PART NAME	QTY	TRACTOR SERIAL NO.	A L L	REMARKS
1	RE63512	MODULE	1		X	(SUB FOR RE60588) (INCLUDES (3) R107890)
	RE63513	TURN SIGNAL SWITCH	1		X	(A) (SUB FOR RE60589 OR RE63422) (INCLUDES (7) R107890)
2	RE151774	DETENT	1		X	
3	R114841	SNAP RING	1		X	
4	T17148	LOCK WASHER	1		X	
5	14M7257	NUT	1		X	M20
6	R117432	KNOB	1		X	
7	14M7426	LOCK NUT	1		X	M8
8	B3690R	O-RING	1		X	
9	R47998	CAP	1		X	
10	L100436	WASHER	2		X	
11	RE39719	STEERING WHEEL	1		X	

(A) EUROPEAN VERSION
VERSION EUROPEENNE
EUROPAEISCHE AUSFUEHRUNG
VERSIONE EUROPEA
VERSION EUROPEA
EUROPEISK VERSION

6D8

STEERING COLUMN PIVOT
COLONNE DE DIRECTION, PIVOT
LENKSAEULEN-GELENKZAPFEN
ARTICOLAZIONE DEL PIANTONE DELLO STERZO
PIVOTE DE COLUMNA DE DIRECCION
RATTSTAANGSTAPP
RE026625 -UN-08DEC95



RE026625

6D9

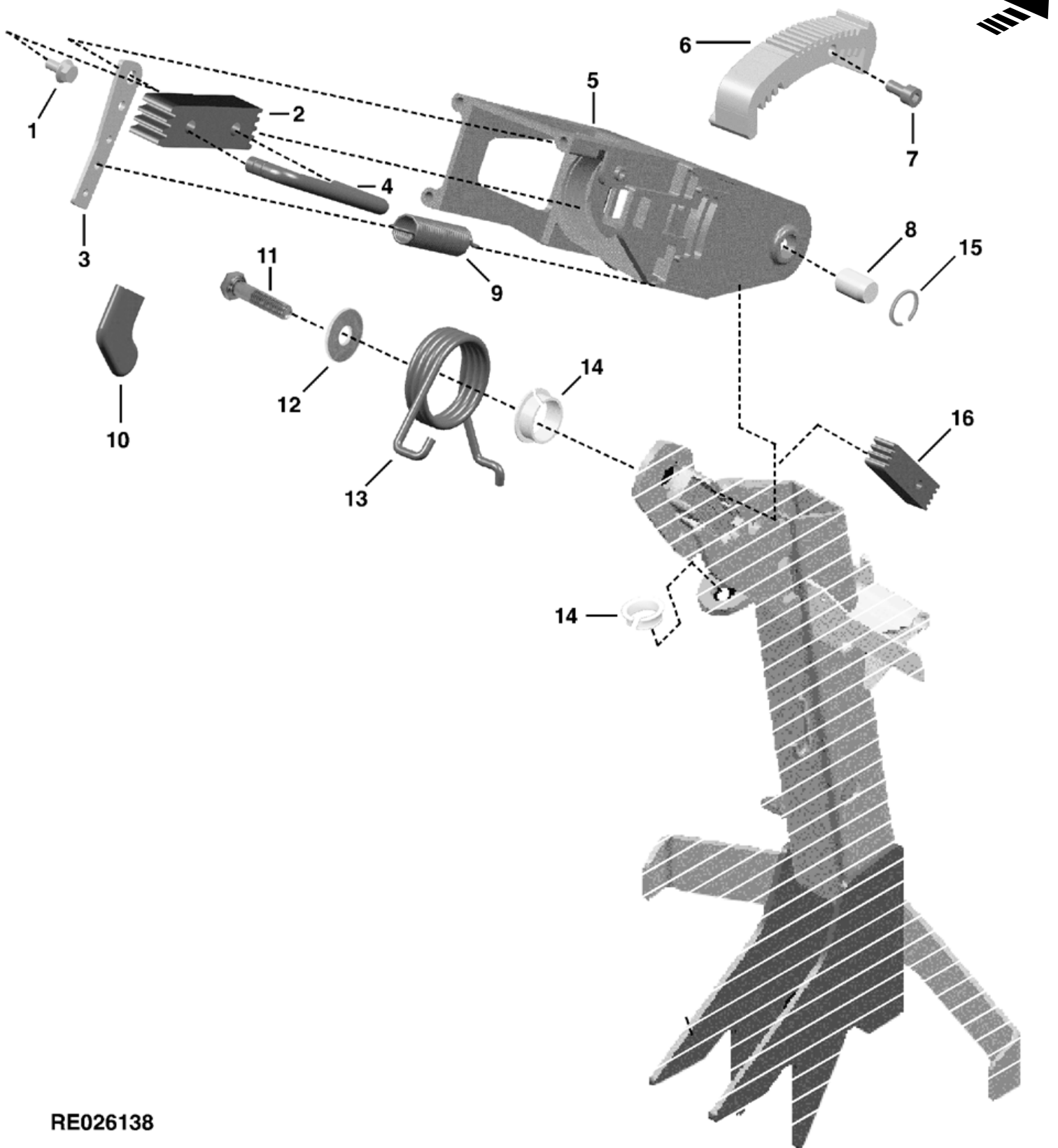
STEERING AND BRAKES

KEY	PART NO.	PART NAME	QTY	TRACTOR SERIAL NO.	A L L	REMARKS
1	19M8584	CAP SCREW	1		X	M10 X 30, HS 10.9
2	RE62130	UNIVERSAL JOINT CROSS	1		X	
3	R126039	PIVOT	1		X	
4	R107598	BRACKET	1		X	
5	19M7775	SCREW	3		X	M6 X 16, HS 10.9
6	R126024	GUIDE	1		X	
7	40M7256	SNAP RING	1		X	
8	R107561	END	1		X	
9	R119596	BEARING	1		X	
10	R126040	HOUSING	1		X	
11	26H86	SHAFT KEY	2		X	5/16" X 1"
12	RE57594	ROD	1		X	
	24H1283	WASHER	1		X	7/32" X 1/2" X 0.049"
13	R107567	SHAFT	1		X	
14	24H1439	WASHER	1		X	1" X 1-3/8" X 0.060"
15	40M7119	SNAP RING	1		X	
16	R114569	GROMMET	1		X	
17	R126911	STRAP	1		X	(SUB FOR (2) R122173)
18	37M7090	SCREW	1		X	M6 X 16
19	A364R	SNAP RING	1		X	
20	A3815R	SNAP RING	1		X	

6D10

STEERING AND BRAKES

STEERING SHAFT
ARBRE DE DIRECTION
LENKSPINDEL
PIANTONE DELLO STERZO
EJE DE DIRECCION
STYRAXEL
RE026138 -UN-13MAR95



RE026138

6D11

STEERING AND BRAKES

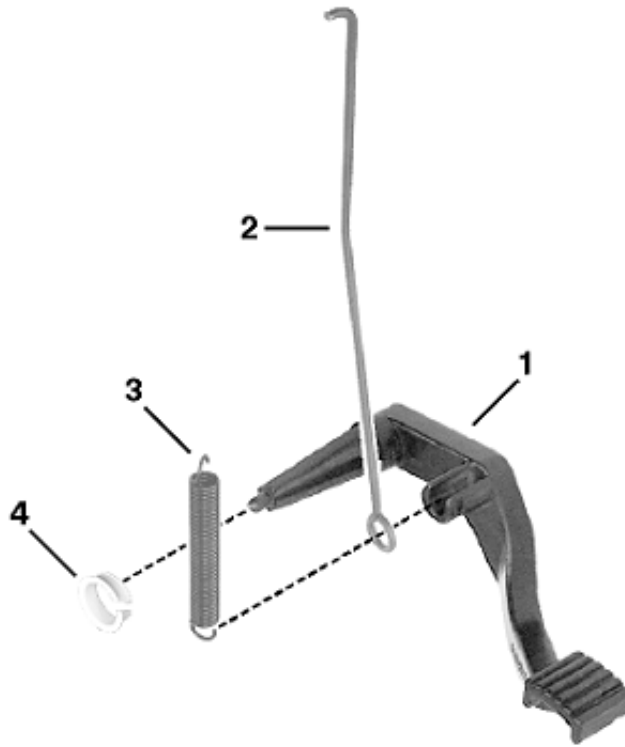
KEY	PART NO.	PART NAME	QTY	TRACTOR SERIAL NO.	A L L	REMARKS
1	19M7774	SCREW	1		X	M6 X 12, HS 10.9
2	R126570	PAWL	1		X	(SUB FOR R107554)
3	R107563	LEVER	1		X	
4	R120055	ROD	1		X	
5	R126039	PIVOT	1		X	
6	R124242	SECTOR	1	-XXXXXX	X	(A) (SUB R126569 AND R126570)
	R126569	SECTOR	1	XXXXXX-	X	(B)
7	19M7887	SCREW	1		X	M5 X 10, HS 12.9
8	R121466	DOWEL PIN	1		X	
9	H80128	SPRING	1		X	
10	L76191	HANDLE	1		X	
11	19M7932	CAP SCREW	1		X	M8 X 16, HS 10.9
12	24M7207	WASHER	1		X	8.400 X 24 X 2 MM
13	R107548	SPRING	1		X	
14	R111774	BUSHING	2		X	
15	R73380	SNAP RING	1		X	
16	R107554	PAWL	1	-XXXXXX	X	(A) (SUB R126570)
	R126570	PAWL	1	XXXXXX-	X	(B)

(A) (-XXXXXX) 8100-001569; 8200-001513; 8300-002605; 8400-001211

(B) (XXXXXX-) 8100-001570; 8200-001514; 8300-002606; 8400-001212

6D12

PIVOT RELEASE PEDAL
PEDALE DE DEVERROUILLAGE DE PIVOT
GELENKZAPFEN-AUSRUECKPEDAL
PEDALE DI RILASCIO DELL'ARTICOLAZIONE
PEDAL DE LIBERACION DE PIVOTE
VAENDTAPPENS UTLOESNINGSPEDAL
 RXP025206 -UN-01JAN94

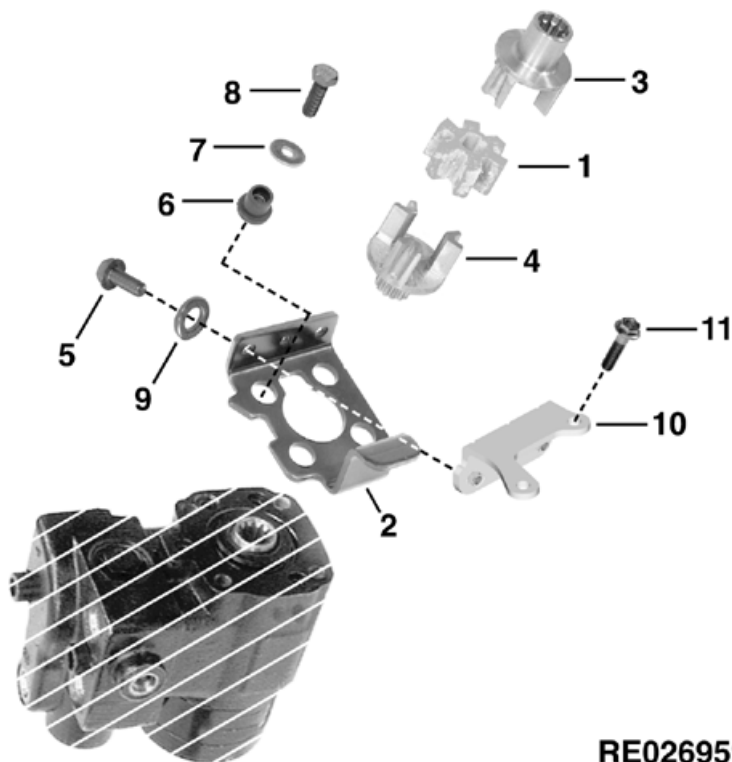


RXP025206

KEY	PART NO.	PART NAME	QTY	TRACTOR SERIAL NO.	A	REMARKS
					L	
1	R107551	PEDAL	1		X	
2	R107552	ROD	1		X	
3	R60730	SPRING	1		X	
4	R111774	BUSHING	1		X	

6D13

STEERING VALVE BRACKET
 DISTRIBUTEUR DE DIRECTION, SUPPORT
 LENKVENTILHALTERUNG
 VALVOLA DELLO STERZO, STAFFA
 VALVULA DE DIRECCION, SOPORTE
 STYRVENTILFAESTE
 RE026959 -UN-17MAY96



RE026959

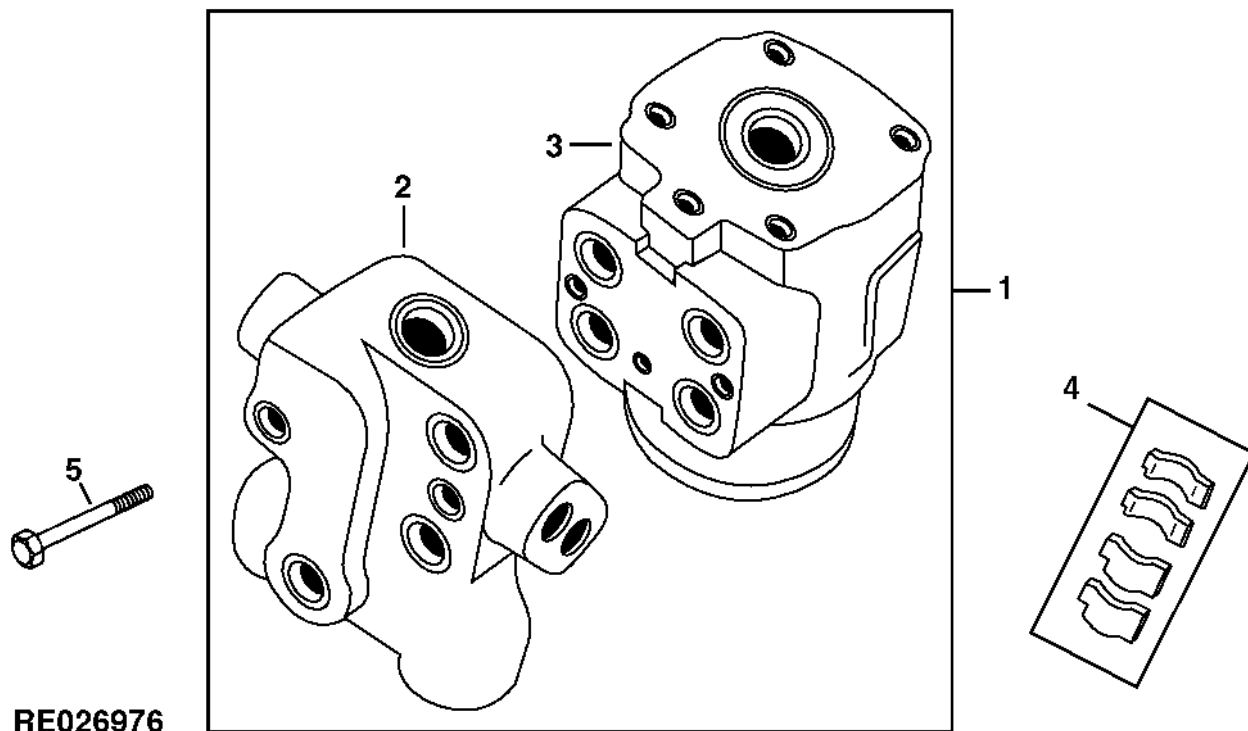
KEY	PART NO.	PART NAME	QTY	TRACTOR SERIAL NO.	A	REMARKS
					L	
1	R126636	ISOLATOR	1		X	(SUB FOR H134624, THIS APPLICATION)
2	R124619	BRACKET	1	-XXXXXX	X	(A) (SUB R132275)
	R132275	BRACKET	1	XXXXXX-	X	(B)
3	R126640	FITTING	1		X	(SUB FOR R107555)
4	R126641	COUPLING	1		X	(SUB FOR R107556)
5	19M7402	CAP SCREW	2		X	M10 X 25, HS 10.9
6	AT116162	RUBBER MOUNT	4		X	
7	24M7178	WASHER	4		X	10.500 X 30 X 2.500 MM
8	19M7168	CAP SCREW	4		X	M10 X 30
9	24M7028	WASHER	2		X	10.500 X 20 X 2 MM
10	RE66710	BRACKET	1	XXXXXX-	X	(B)
11	37M7087	SCREW	2	XXXXXX-	X	(B) M10 X 25

(A) (-XXXXXX) 8100-010371; 8200-010237; 8300-010414; 8400-010420

(B) (XXXXXX-) 8100-010372; 8200-010238; 8300-010415; 8400-010421

6D14

STEERING VALVE WITH PRIORITY VALVE (MFWD)
 DISTRIBUTEUR DE DIRECTION AVEC SOUPAPE PRIORITAIRE (MFWD)
 LENKVENTIL MIT VORRANGVENTIL (MFWD)
 VALVOLA DELLO STERZO CON VALVOLA PRIORITARIA (MFWD)
 VALVULA DE DIRECCION CON VALVULA PRIORITARIA (MFWD)
 STYRVENTIL MED PRIORITETSVENTIL (MFWD)
 RE026976 -UN-15MAY96



RE026976

KEY	PART NO.	PART NAME	QTY	TRACTOR SERIAL NO.	A	REMARKS
					L	
1	RE61046	VALVE	1		X	
2	RE57817	VALVE	1		X	(A) (B)
3	RE60562	VALVE	1		X	(B)
4	RE50401	KIT	1		X	(C)
5	19M8489	SCREW	1		X	M12 X 65, HS 12.9
	19M8548	SCREW	1		X	M12 X 80, HS 12.9

(A) PRIORITY VALVE
 SOUPAPE PRIORITAIRE
 VORRANGVENTIL
 VALVOLA DI PRIORITA'
 VALVULA PRIORITARIA
 PRIORITETSVENTIL

(B) W/ SEAL KIT
 W/ JEU DE JOINTS
 W/ DICHTUNGSSATZ
 W/ SERIE ANELLI DI
 W/ JUEGO DE RETENES
 W/ LAGER-OCH

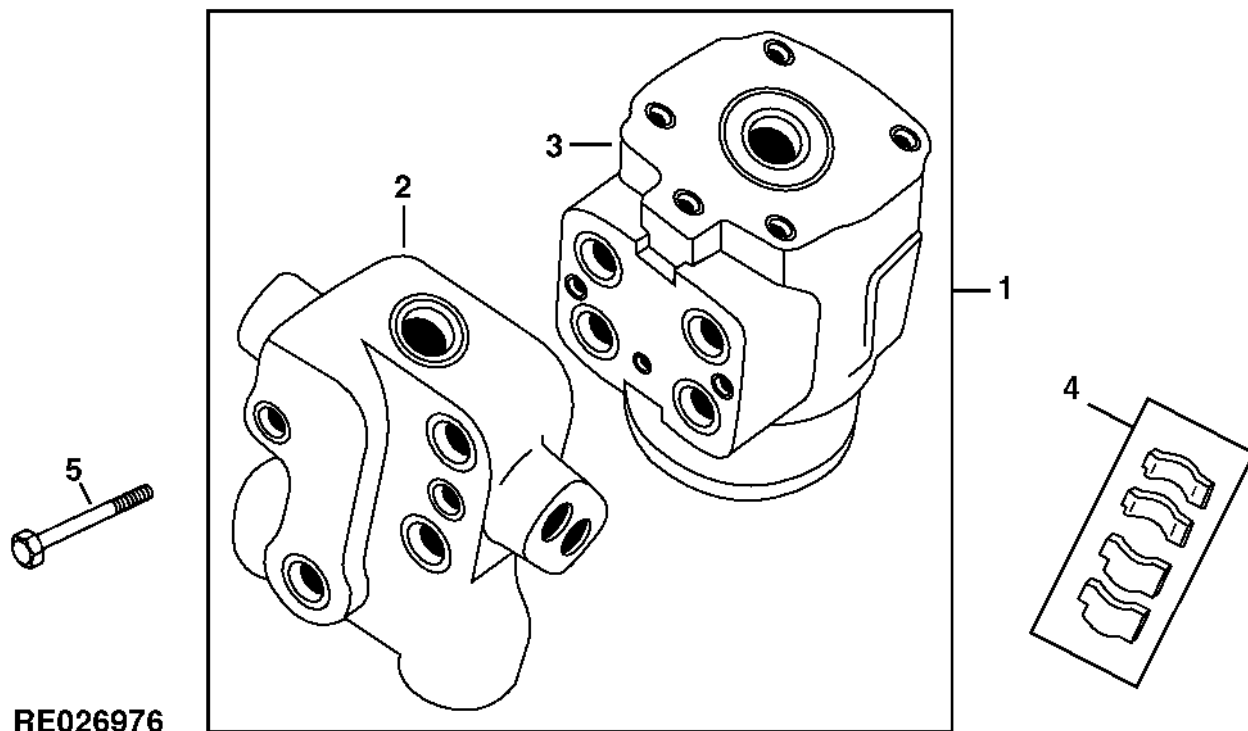
(C) CENTERING SPRING
 RESSORT DE CENTRAGE
 ZENTRIERFEDER
 MOLLA DE CENTRAGGIO
 RESORTE CENTRADOR
 CENTERINGSFJAEDER

6D15

STEERING AND BRAKES

STEERING VALVE WITH PRIORITY VALVE (WITHOUT MFWD)
 DISTRIBUTEUR DE DIRECTION AVEC SOUPAPE PRIORITAIRE (SANS MFWD)
 LENKVENTIL MIT VORRANGVENTIL (OHNE MFWD)
 VALVOLA DELLO STERZO CON VALVOLA PRIORITARIA (SENZA MFWD)
 VALVULA DE DIRECCION CON VALVULA PRIORITARIA (SIN MFWD)
 STYRVENTIL MED PRIORITETSVENTIL (UTAN MFWD)

RE026976 -UN-15MAY96



RE026976

KEY	PART NO.	PART NAME	QTY	TRACTOR SERIAL NO.			REMARKS
				8	8	8	
				1	2	3	
				0	0	0	
				0	0	0	
1	RE61047	VALVE	1	X	X	X	
2	RE57817	VALVE	1	X	X	X	(A) (B)
3	RE60561	VALVE	1	X	X	X	(B)
4	RE50401	KIT	1	X	X	X	(C)
5	19M8489	SCREW	1	X	X	X	M12 X 65, HS 12.9
	19M8548	SCREW	1	X	X	X	M12 X 80, HS 12.9

(A) PRIORITY VALVE
 SOUPAPE PRIORITAIRE
 VORRANGVENTIL
 VALVOLA DI PRIORITA'
 VALVULA PRIORITARIA
 PRIORITETSVENTIL

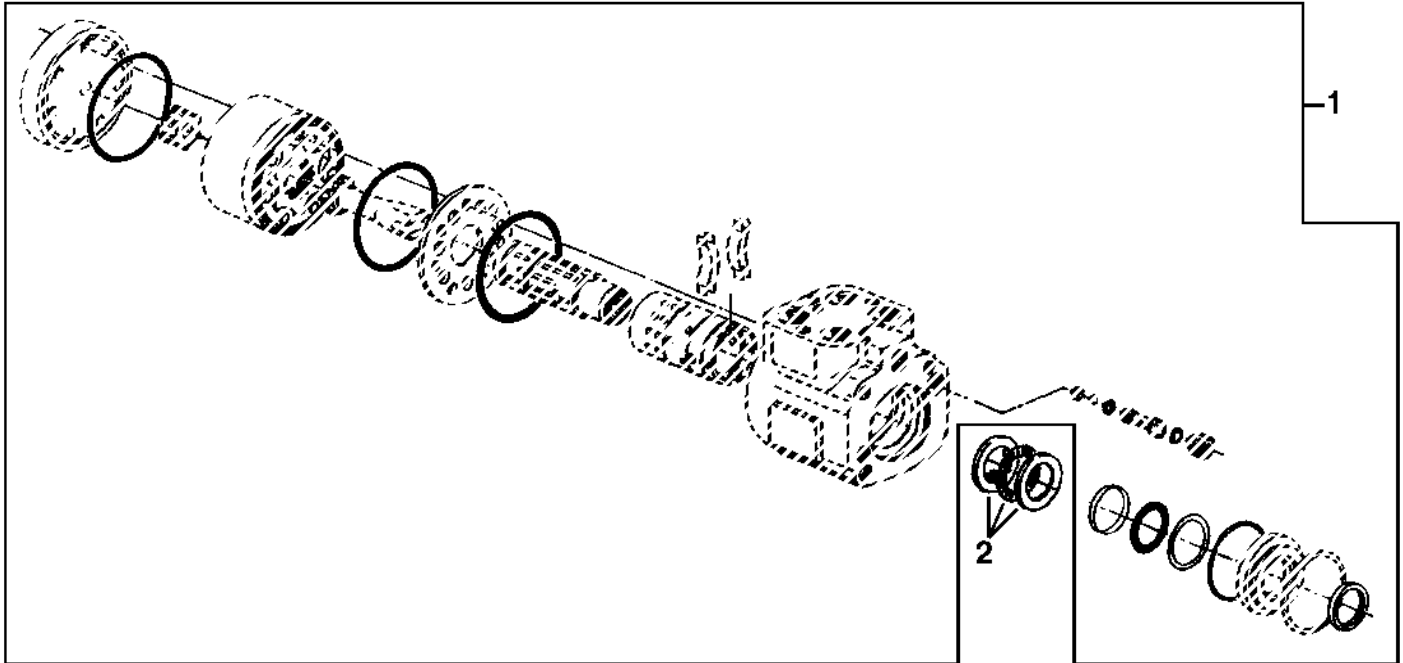
(B) W/ SEAL KIT
 W/ JEU DE JOINTS
 W/ DICHTUNGSSATZ
 W/ SERIE ANELLI DI
 W/ JUEGO DE RETENES
 W/ LAGER-UCH

(C) CENTERING SPRING
 RESSORT DE CENTRAGE
 ZENTRIERFEDER
 MOLLA DE CENTRAGGIO
 RESORTE CENTRADOR
 CENTRERINGSFJAEDER

6D16

STEERING AND BRAKES

SEAL KIT/THRUST NEEDLE BEARING KIT
 KIT D'ETANCHEITE A FAIBLE COUPLE / KIT DE PALIER DE BUTEE A AIGUILLES
 NIEDRIG-DREHMOMENT-DICHTUNGSSATZ / NADEL-DRUCKLAGER
 KIT DELLA GUARNIZIONE A BASSA COPPIA DI TORSIONE / KIT DEL CUSCINETTO DI SPINTA A RULLINI
 JUEGO DE SELLOS DE BAJO APRIETE / JUEGO DE COJINETES DE AGUJAS DE EMPUJE
 TAETNINGSSATS FOR LAAGT VRIDMOMENT / SATS MED TRYCKNAALLAGER
 RE027003 -UN-19JUN96



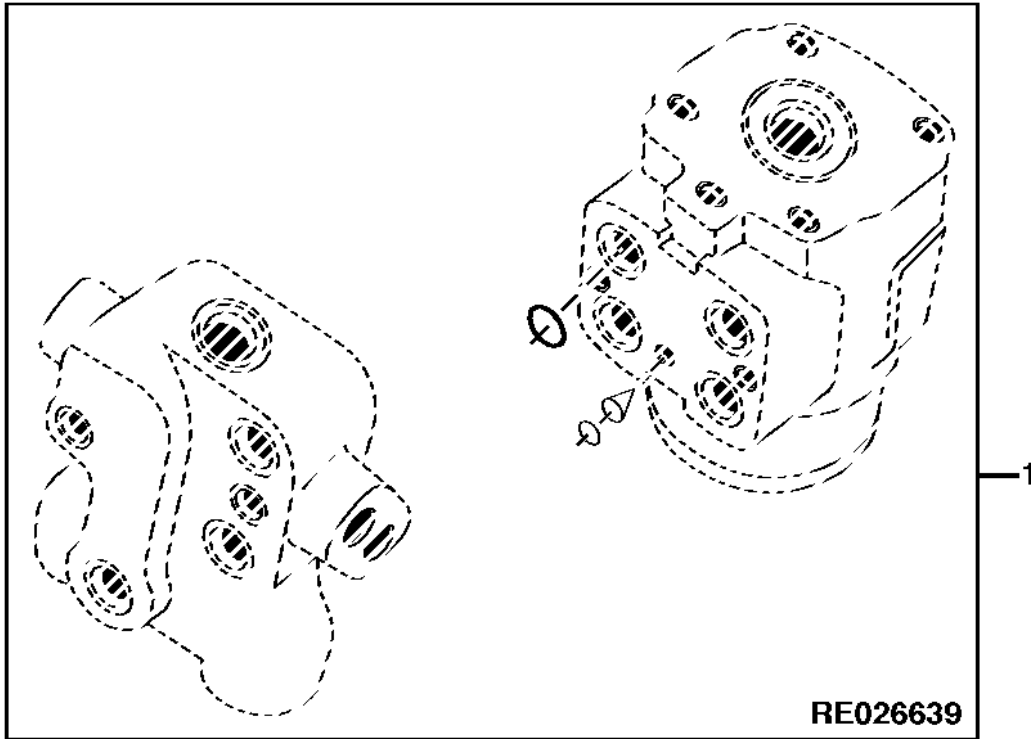
RE027003

KEY	PART NO.	PART NAME	QTY	TRACTOR SERIAL NO.	A L L REMARKS
1	RE153242	SEAL KIT	1		X (SUB FOR RE61797)
2	RE58878	BEARING KIT	1		X

6D17

STEERING AND BRAKES

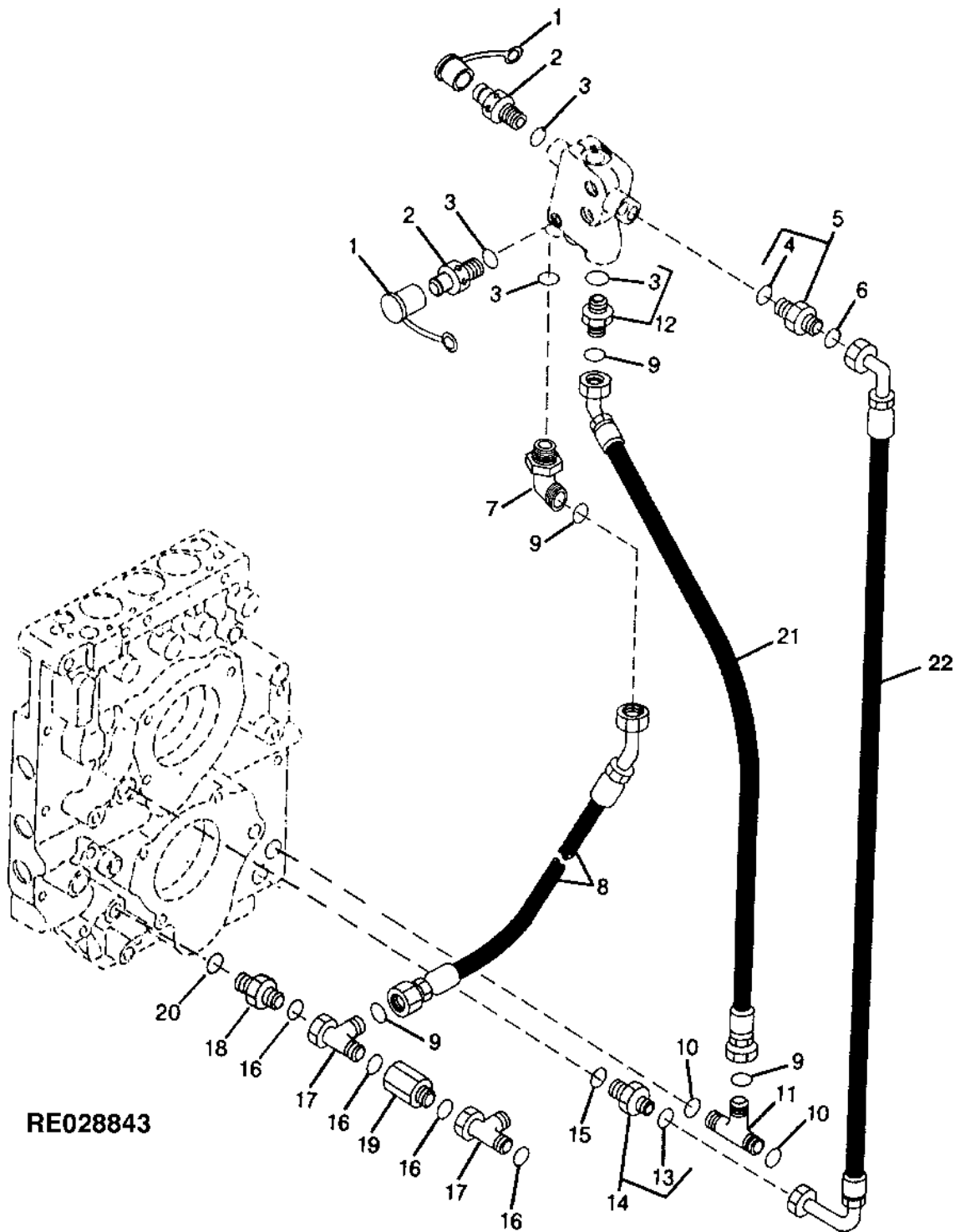
STEERING VALVE SEAL KIT
KIT D'ETANCHEITE DE SOUPAPE DE DIRECTION
LENKVENTIL-DICHTUNGSSATZ
KIT DELLA GUARNIZIONE DELLA VALVOLA DELLO STERZO
JUEGO DE SELLOS DE VALVULA DE LA DIRECCION
TÆTNINGSSATS FOER STYRVENTIL
RE026639 -UN-08DEC95



KEY	PART NO.	PART NAME	QTY	TRACTOR SERIAL NO.	A	REMARKS
					L	
1	RE57815	SEAL KIT	1		X	

6D18

PRIORITY VALVE LINES
SOUPAPE PRIORITAIRE, CONDUITES
VORRANGVENTIL, LEITUNGEN
VALVOLA PRIORITARIA, TUBI
VALVULA PRIORITARIA, LINEAS
PRIORITETSVENTIL, LEDNINGAR
RE028843 -UN-27FEB98



RE028843

6D19

STEERING AND BRAKES

KEY	PART NO.	PART NAME	QTY	TRACTOR SERIAL NO.	A L L	REMARKS
1	R77175	COVER	2		X	
2	RE12187	RECEPTACLE	2		X	
3	51M7045	O-RING	4		X	19.300 X 2.200 MM
4	51M7040	O-RING	1		X	9.300 X 2.200 MM
5	38H5001	ADAPTER	1		X	
6	T77814	O-RING	1		X	
7	38H5004	ADAPTER	1	-009999	X	
	38H5146	ELBOW FITTING	1	010000-	X	
8	RE62191	HYDRAULIC HOSE	1	-009999	X	(SUB RE154628 AND 38H5146)
	RE154628	HYDRAULIC HOSE - FABRICATE	1	010000-	X	(SUB FOR RE66537 OR RE70844)
9	T77932	O-RING	4		X	
10	51M7047	O-RING	1		X	23.600 X 2.900 MM
11	38H5140	TEE FITTING	1		X	
12	38H5004	ADAPTER	1		X	
13	51M7041	O-RING	1		X	11.300 X 2.200 MM
14	38H5002	ADAPTER	1		X	
15	T77613	O-RING	1		X	
16	T77858	O-RING	4		X	
17	38H5136	TEE FITTING	2		X	
18	38H5005	ADAPTER	1		X	
19	RE51573	FITTING	1		X	
20	51M7047	O-RING	1		X	23.600 X 2.900 MM
21	RE60681	HYDRAULIC HOSE - FABRICATE	1		X	
22	RE70845	HYDRAULIC HOSE - FABRICATE	1		X	(SUB FOR RE60679)

6D20

STEERING CYLINDER (ADJUSTABLE AXLE) (8100 -021582; 8200 -021323; 8300 -022376)
 VERIN DE DIRECTION POUR ESSIEU REGLABLE (8100 -021582; 8200 -021323; 8300 -022376)
 LENKZYLINDER FUER EINSTELLBARE ACHSE (8100 -021582; 8200 -021323; 8300 -022376)
 CILINDRO DI GUIDA DELL'ASSALE REGOLABILE (8100 -021582; 8200 -021323; 8300 -022376)
 CILINDRO DE LA DIRECCION PARA EJE AJUSTABLE (8100 -021582; 8200 -021323; 8300 -022376)
 STYRCYLINDER FOER REGLERBAR AXEL (8100 -021582; 8200 -021323; 8300 -022376)
 RXP010860 -UN-01JAN94



RXP010860

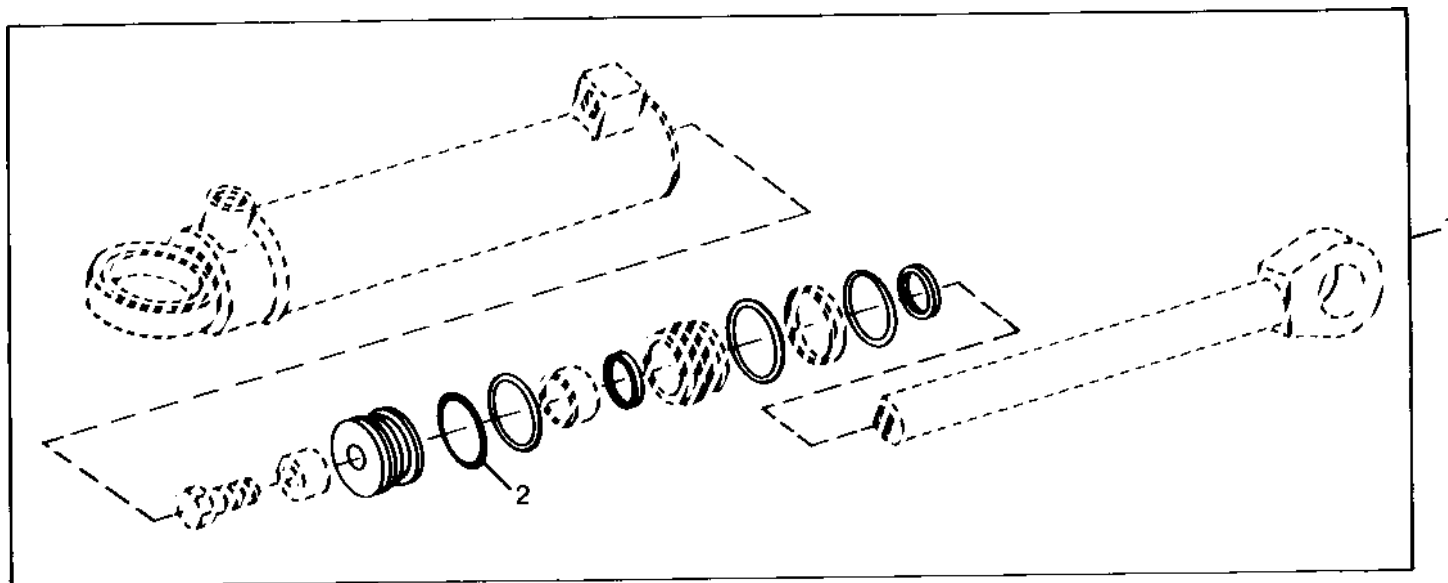
KEY	PART NO.	PART NAME	QTY	TRACTOR SERIAL NO.	8 8 8 1 2 3 0 0 0 0 0 0	REMARKS
1	RE62060	HYDRAULIC CYLINDER	1	-XXXXXX	X X X	(A) (SUB RE155989)
	RE155989	HYDRAULIC CYLINDER	1	XXXXXX-	X X X	(B)
2	AL75721	END	2		X X X	
3	A5518R	SNAP RING	2		X X X	
4	14M7173	LOCK NUT	2		X X X	M20

(A) (-XXXXXX) 8100-021582; 8200-021323; 8300-022376
 (B) (XXXXXX-) 8100-021583; 8200-021324; 8300-022377

6D21

STEERING AND BRAKES

STEERING CYLINDER SEAL KIT (ADJUSTABLE AXLE) (8100 -021582; 8200 -021323; 8300 -022376)
 JEU DE JOINTS DE VERIN DE DIRECTION (ESSIEU REGLABLE)(8100 -021582;8200 -021323;8300 -022376)
 KENKZYLINDER-DICHTUNGSSATZ (EINSTELLBARE ACHSE) (8100 -021582; 8200 -021323; 8300 -022376)
 KIT DE TENUTA DEL CILINDRO DELLO STERZO(ASSALE REGOLABILE)(8100 -021582;8200 -021323;8300 -022376)
 JUEGO DE SELLOS DEL CILINDRO DE LA DIRECCION(EJE AJUSTABLE)(8100 -021582;8200 -021323;8300 -022376)
 TAETNINGSSATS FOER STYRCYLINDER (REGLERBAR AXEL)(8100 -021582; 8200 -021323; 8300 -022376)
 RE026141 -UN-23MAR95



RE026141

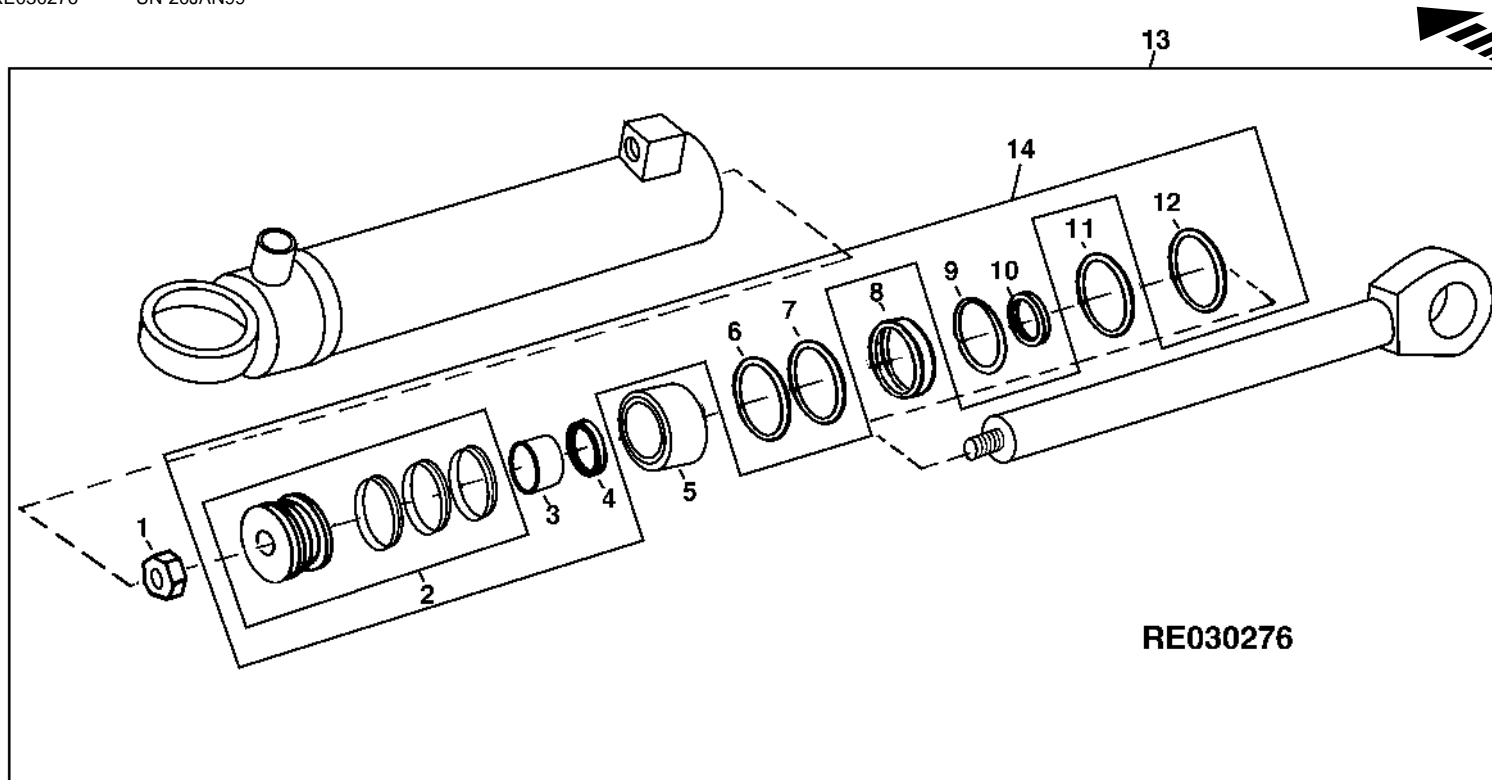
KEY	PART NO.	PART NAME	QTY	TRACTOR SERIAL NO.	REMARKS
				8 8 8 1 2 3 0 0 0 0 0 0	
1	RE61764	HYDRAULIC CYLINDER KIT	1		(USE WITH RE62060)
2	U46335	O-RING	1		

MEMORANDA
MEMORANDA
MEMORANDA
MEMORANDA
MEMORANDA

6D22

STEERING AND BRAKES

STEERING CYLINDER (ADJUSTABLE AXLE) (8100 021583- ; 8200 0213424- ; 8300 022377-)
 VERIN DE DIRECTION POUR ESSIEU REGLABLE (8100 021583- ; 8200 0213424- ; 8300 022377-)
 LENKZYLINDER FUER EINSTELLBARE ACHSE (8100 021583- ; 8200 0213424- ; 8300 022377-)
 CILINDRO DI GUIDA DELL'ASSALE REGOLABILE (8100 021583- ; 8200 0213424- ; 8300 022377-)
 CILINDRO DE LA DIRECCION PARA EJE AJUSTABLE (8100 021583- ; 8200 0213424- ; 8300 022377-)
 STYRCYLINDER FOER REGLERBAR AXEL (8100 021583- ; 8200 0213424- ; 8300 022377-)
 RE030276 -UN-20JAN99

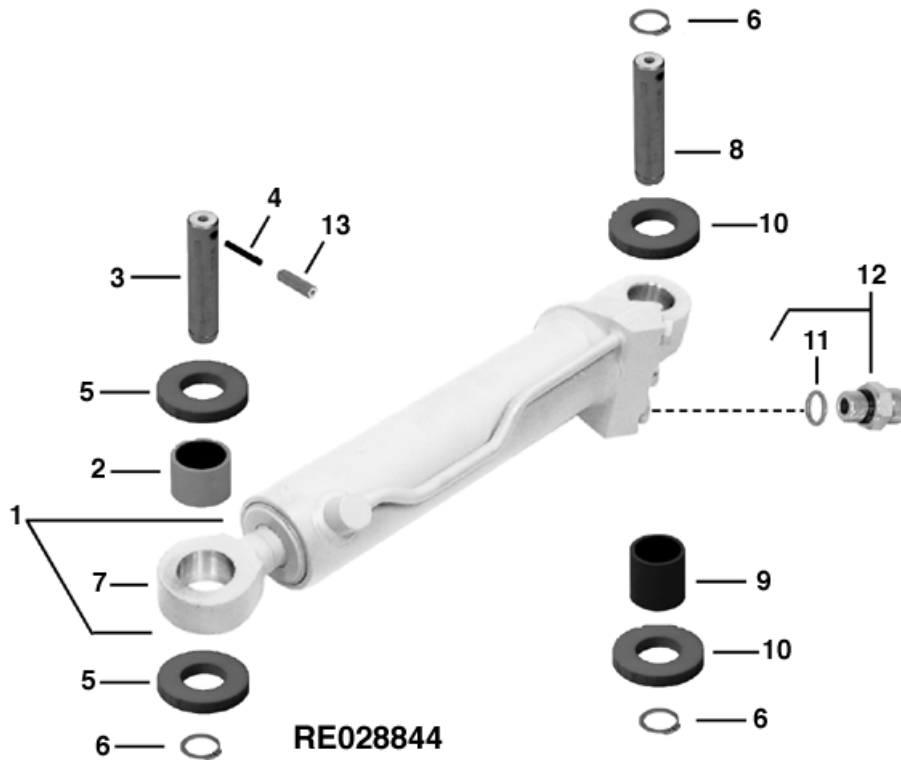


RE030276

KEY	PART NO.	PART NAME	QTY	TRACTOR SERIAL NO.			REMARKS
				8	8	8	
				1	2	3	
				0	0	0	
				0	0	0	
1	H153834	LOCK NUT	1	X	X	X	
2	AH160036	PISTON	1	X	X	X	
3	H151629	WEAR RING	1	X	X	X	
4	H153659	SEAL	1	X	X	X	
5	H168109	HYDR. CYLINDER ROD GUIDE	1	X	X	X	
6	H158942	O-RING	1	X	X	X	
7	R79117	BACK-UP RING	1	X	X	X	
8	H164359	SNAP RING	1	X	X	X	
9	T22828	O-RING	1	X	X	X	
10	H150411	SEAL	1	X	X	X	
11	H164360	SNAP RING	1	X	X	X	
12	H169509	BACK-UP RING	1	X	X	X	
13	RE155989	HYDRAULIC CYLINDER	1	X	X	X	
14	AH158827	HYDRAULIC CYLINDER KIT	1	X	X	X	(USE WITH RE155989)

6D23

STEERING CYLINDER (MFWD) (ASN -077515)
 VERIN DE DIRECTION (MFWD) (ASN -077515)
 LENKZYLINDER (MFWD) (ASN -077515)
 CILINDRO DI GUIDA (MFWD) (ASN -077515)
 CILINDRO DE LA DIRECCION (MFWD) (ASN -077515)
 STYRCYLINDER (MFWD) (ASN -077515)
 RE028844 -UN-27FEB98



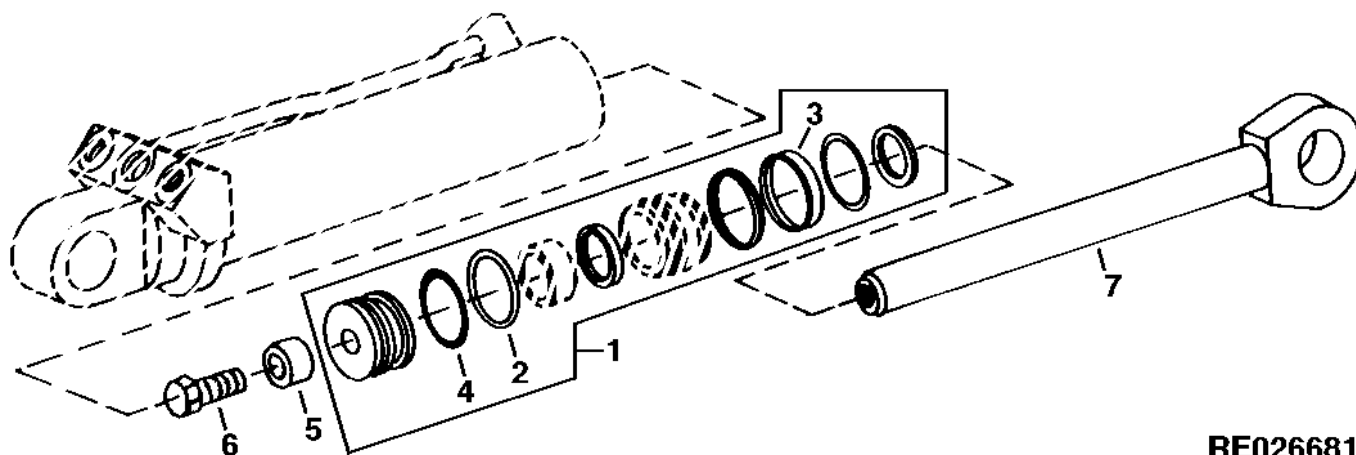
RE028844

KEY	PART NO.	PART NAME	QTY	AXLE SERIAL NO.	A	
					L	REMARKS
1	RE60867	CYLINDER	1	-029259	X	R.H. (SUB RE65292)
	RE65292	CYLINDER	1	029260-	X	
	RE60868	CYLINDER	1	-029259	X	L.H. (SUB RE65293)
	RE65293	CYLINDER	1	029260-	X	
2	R95118	BUSHING	2		X	
3	R95117	PIN	2	-068186	X	(SUB R153160, 34H421 AND 34H305)
	R153160	PIN	2	068187-	X	
4	34M7044	SPRING PIN	2	-068168	X	6 X 50 MM
	34H421	SPRING PIN	2	068187-	X	3/8" X 2"
5	R95119	SEAL	4		X	
6	40M7259	SNAP RING	6		X	
7	R158652	ROD	2		X	(USE WITH RE60867 OR RE60868) (SUB FOR R123988)
	AH163058	ROD	2		X	(USE WITH RE65292 OR RE65293) (SUB FOR AH146050)
8	R116206	PIN	2		X	
9	R95250	BUSHING	2		X	
10	R112954	SEAL	4		X	
11	51M7043	O-RING	2		X	15.300 X 2.200 MM
12	38H5002	ADAPTER	2		X	
13	34H305	SPRING PIN	2	068187-	X	7/32" X 2"

6D24

STEERING AND BRAKES

STEERING CYLINDER SEAL KIT (MFWD) (ASN -029259)
 JEU DE JOINTS DE VERIN DE DIRECTION (MFWD) (ASN -029259)
 LENKZYLINDER-DICHTUNGSSATZ (MFWD) (ASN -029259)
 KIT DI TENUTA DEL CILINDRO DELLO STERZO (MFWD) (ASN -029259)
 JUEGO DE SELLOS DEL CILINDRO DE LA DIRECCION (MFWD) (ASN -029259)
 TAETNINGSSATS FOER STYRCYLINDER (MFWD) (ASN -029259)
 RE026681 -UN-13DEC95



RE026681

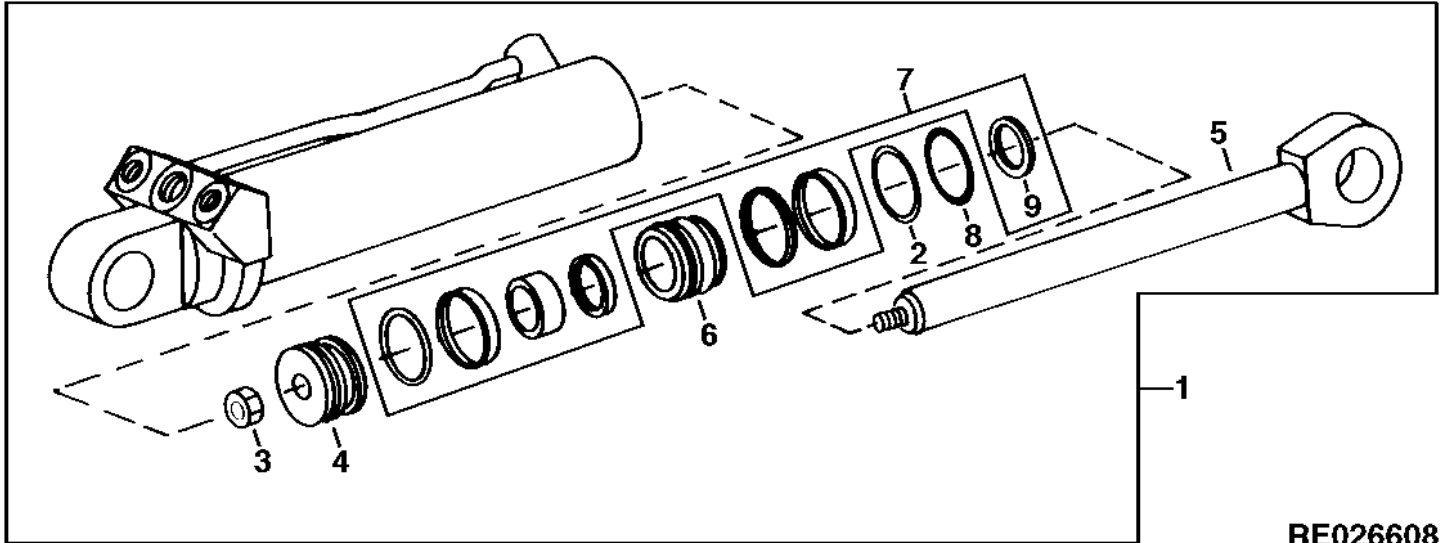
KEY	PART NO.	PART NAME	QTY	TRACTOR SERIAL NO.	A		REMARKS
					L	L	
1	RE61543	HYDRAULIC CYLINDER KIT	1		X		
2	R113066	BACK-UP RING	1		X		
3	R125153	SPACER	1		X		
4	T34248	O-RING	1		X		
5	R122557	SPACER	1		X		
6	19H3726	CAP SCREW	1		X		9/16" X 2", HS SAE 8
7	R158652	ROD	1		X		(SUB FOR R123988)

MEMORANDA
MEMORANDA
MEMORANDA
MEMORANDA
MEMORANDA

6D25

STEERING AND BRAKES

STEERING CYLINDER (MFWD) (ASN 029260-077515)
 JEU DE JOINTS DE VERIN DE DIRECTION (MFWD) (ASN 029260-077515)
 LENKZYLINDER-DICHTUNGSSATZ (MFWD) (ASN 029260-077515)
 KIT DE TENUTA DEL CILINDRO DELLO STERZO (MFWD) (ASN 029260-077515)
 JUEGO DE SELLOS DEL CILINDRO DE LA DIRECCION (MFWD) (ASN 029260-077515)
 TAETNINGSSATS FOER STYRCYLINDER (MFWD) (ASN 029260-077515)
 RE026608 -UN-19DEC95



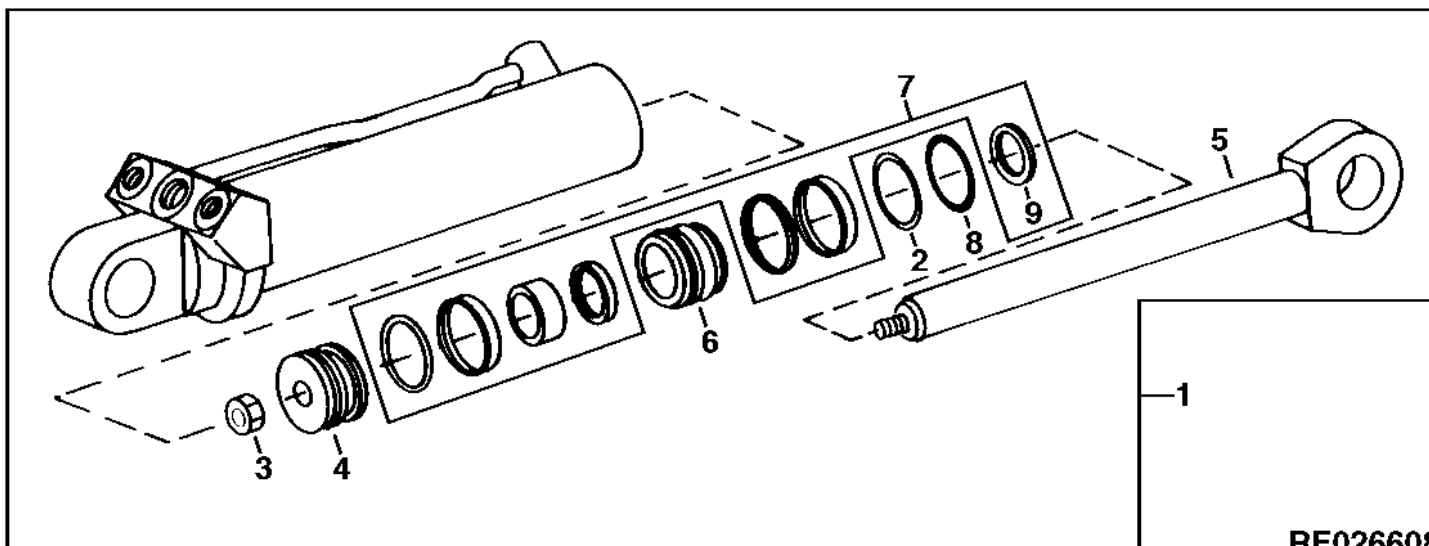
RE026608

KEY	PART NO.	PART NAME	QTY	TRACTOR SERIAL NO.	A	
					L	REMARKS
1	RE65292	CYLINDER	1		X	R.H.
	RE65293	CYLINDER	1		X	L.H.
2	H152104	SNAP RING	1		X	
3	H153834	LOCK NUT	1		X	
4	AH146443	PISTON	1		X	
5	AH163058	ROD	1		X	(SUB FOR AH146050)
6	H151674	HYDR. CYLINDER ROD GUIDE	1		X	
7	AH146052	KIT	1		X	
8	N34349	SNAP RING	1		X	
9	P50635	O-RING	1		X	

6E1

STEERING AND BRAKES

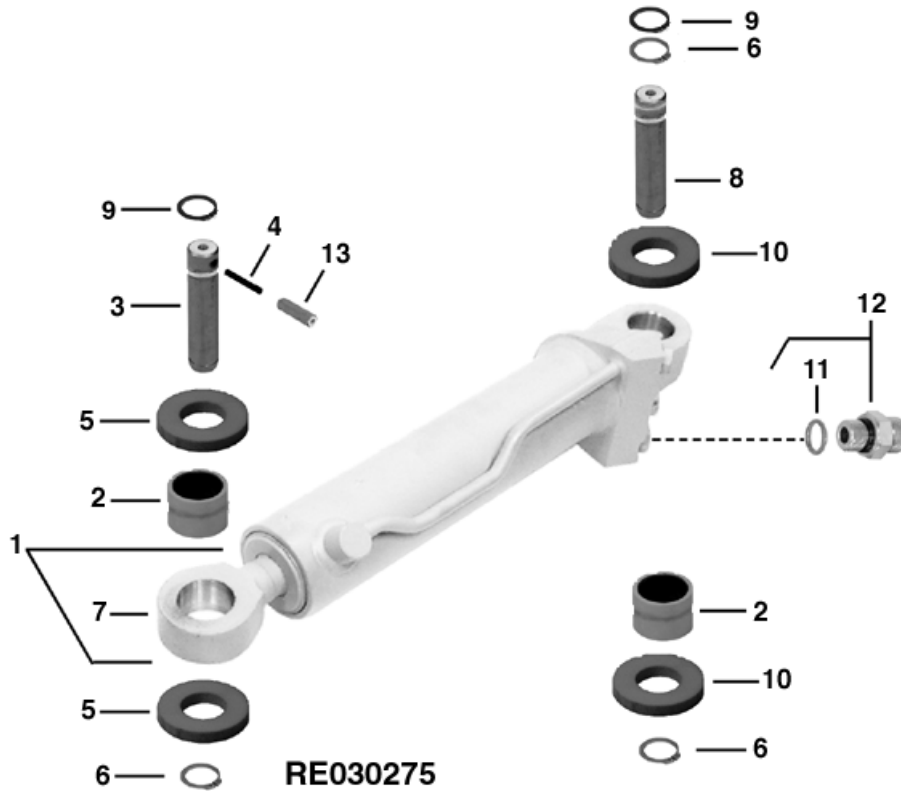
STEERING CYLINDER (MFWD) (ASN 800001-)
 JEU DE JOINTS DE VERIN DE DIRECTION (MFWD) (ASN 800001-)
 LENKZYLINDER-DICHTUNGSSATZ (MFWD) (ASN 800001-)
 KIT DE TENUTA DEL CILINDRO DELLO STERZO (MFWD) (ASN 800001-)
 JUEGO DE SELLOS DEL CILINDRO DE LA DIRECCION (MFWD) (ASN 800001-)
 TAETNINGSSATS FOER STYRCYLINDER (MFWD) (ASN 800001-)
 RE026608 -UN-19DEC95



RE026608

KEY	PART NO.	PART NAME	QTY	TRACTOR SERIAL NO.	A	
					L	REMARKS
1	RE161017	HYDRAULIC CYLINDER	1		X	R.H. (SUB FOR RE68622)
	RE161018	HYDRAULIC CYLINDER	1		X	L.H. (SUB FOR RE68623)
2	H152104	SNAP RING	1		X	
3	H153834	LOCK NUT	1		X	
4	AH146443	PISTON	1		X	
5	AH163057	ROD	1		X	(SUB FOR AH149964)
6	H151674	HYDR. CYLINDER ROD GUIDE	1		X	
7	AH146052	KIT	1		X	
8	N34349	SNAP RING	1		X	
9	P50635	O-RING	1		X	

STEERING CYLINDER ATTACHING PINS (MFWD) (ASN 800001-)
 VERIN DE DIRECTION (MFWD) (ASN 800001-)
 LENKZYLINDER (MFWD) (ASN 800001-)
 CILINDRO DI GUIDA (MFWD) (ASN 800001-)
 CILINDRO DE LA DIRECCION (MFWD) (ASN 800001-)
 STYRCYLINDER (MFWD) (ASN 800001-)
 RE030275 -UN-21DEC98

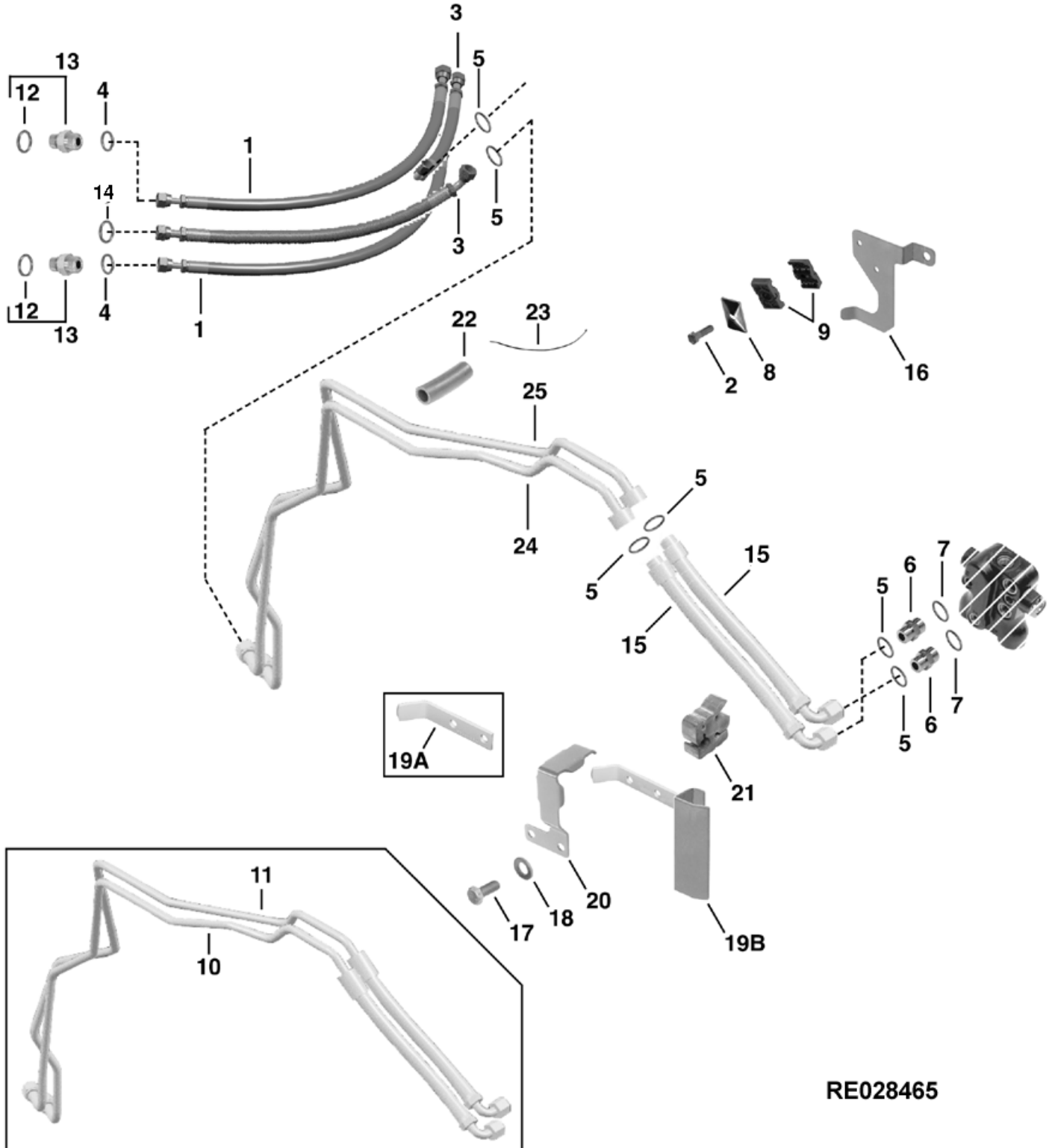


RE030275

KEY	PART NO.	PART NAME	QTY	AXLE SERIAL NO.	A L L REMARKS
1	RE161017	HYDRAULIC CYLINDER	1	X	R.H. (SUB FOR RE68622)
	RE161018	HYDRAULIC CYLINDER	1	X	L.H. (SUB FOR RE68623)
2	R152274	BUSHING	4	X	
3	R133564	PISTON	2	X	
4	34H421	SPRING PIN	2	X	3/8" X 2"
5	R95119	SEAL	4	X	
6	40M7259	SNAP RING	6	X	
7	AH163057	ROD	2	X	(SUB FOR AH149964)
8	R133572	PIN	2	X	
9	P47889	O-RING	2	X	
10	R112954	SEAL	4	X	
11	51M7043	O-RING	2	X	15.300 X 2.200 MM
12	38H5002	ADAPTER	2	X	
13	34H305	SPRING PIN	2	X	7/32" X 2"

6E3

STEERING CYLINDER LINES (MFWD)
CONDUITES DES VERINS DE DIRECTION (MFWD)
LENKZYLINDERLEITUNGEN (MFWD)
LINEE DEL CILINDRO CELLO STERZO (MFWD)
LINEAS DE LOS CILINDROS DE LA DIRECCION (MFWD)
STYRCYLINDERLEDNINGAR (MFWD)
RE028465 -UN-22OCT97



RE028465

6E4

STEERING AND BRAKES

KEY	PART NO.	PART NAME	QTY	TRACTOR SERIAL NO.	A L L	REMARKS
1	RE44737	HYDRAULIC HOSE	2		X	
2	19M8318	SCREW	2	-XXXXXX	X	(B) M8 X 45, HS 10.9
	19M8318	SCREW	3	XXXXXX-	X	(C) M8 X 45, HS 10.9
3	RE60847	HYDRAULIC HOSE	2		X	
4	T77613	O-RING	4		X	
5	T77857	O-RING	6		X	
6	38H5003	ADAPTER	2		X	
7	51M7043	O-RING	2		X	15.300 X 2.200 MM
8	H121168	PLATE	2	-XXXXXX	X	(B)
	H121168	PLATE	3	XXXXXX-	X	(C)
9	H135156	CLAMP	4	-XXXXXX	X	(B)
	H135156	CLAMP	6	XXXXXX-	X	(C)
10	RE61141	OIL LINE	1		X	R.H. (SUB RE66235, RE66236, H121168, (2) H135156, 19M8318 AND (2) RE62783)
	RE61141	OIL LINE	1		X	(A) R.H. (SUB RE66235, RE66236, H121168, 19M8318, (2) H135156, (2) RE62783, RE66231 AND T13814)
11	RE61142	OIL LINE	1		X	L.H. (SUB RE66236, RE66235, H121168, 19M8318, (2) H135156 AND (2) RE62783)
	RE61142	OIL LINE	1		X	(A) L.H. (SUB RE66235, RE66236, H121168, 19M8318, (2) H135156, (2) RE62783, RE66231 AND T13814)
12	51M7041	O-RING	4		X	11.300 X 2.200 MM
13	38H5002	ADAPTER	4		X	
14	51M7043	O-RING	2		X	15.300 X 2.200 MM
15	RE62783	HYDRAULIC HOSE - FABRICATE	2		X	
16	R135811	BRACKET	1		X	(SUB FOR R124824)
17	19M7167	CAP SCREW	2		X	M10 X 25
18	24M7346	WASHER	2		X	11 X 20 X 2 MM
19A	R120133	SUPPORT	1	-XXXXXX	X	
19B	RE62562	BRACKET	1	XXXXXX-	X	
20	R121776	BRACKET	1	-XXXXXX	X	
	R151216	BRACKET	1	XXXXXX-	X	
21	R126381	CLAMP	1		X	
22	N32491	ISOLATOR	2		X	
23	R44302	TIE BAND	2		X	
24	RE62779	OIL LINE	1	-XXXXXX	X	(B) (SUB RE66235, RE66236, H121168, 19M8318 AND (2) H135156)
	RE62779	OIL LINE	1	-XXXXXX	X	(A) (B) (SUB RE66235, RE66236, H121168, 19M8318, (2) H135156, RE66231 AND T13814)
	RE66235	OIL LINE	1	XXXXXX-	X	
25	RE62780	OIL LINE	1	-XXXXXX	X	(SUB RE66236, RE66235, H121168, 19M8318 AND (2) H135156)
	RE62780	OIL LINE	1	-XXXXXX	X	(A) (SUB RE66235, RE66236, H121168, 19M8318, (2) H135156, RE66231 AND T13814)
	RE66236	OIL LINE	1	XXXXXX-	X	

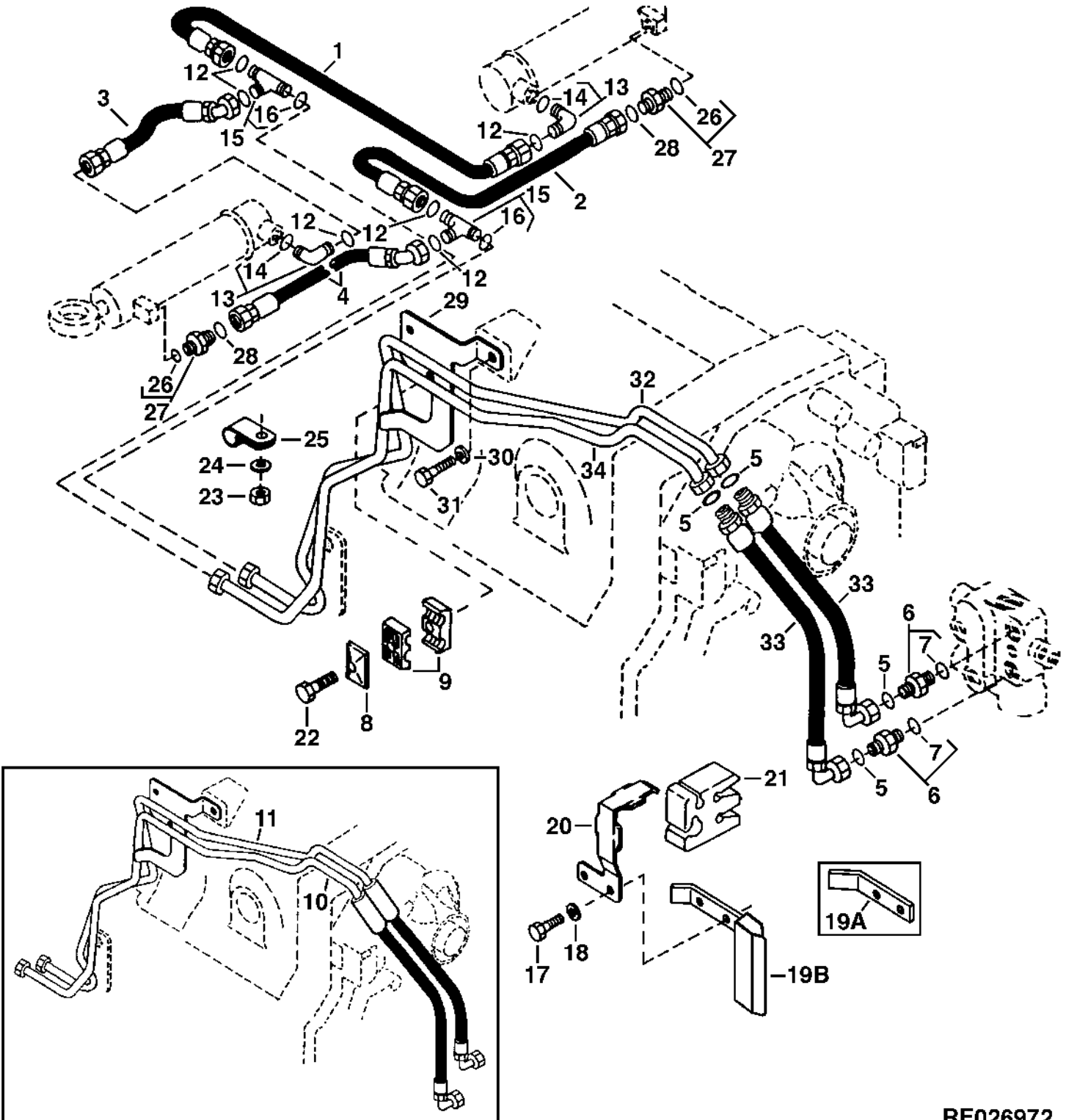
(A) SECONDARY BRAKE
FREIN SECONDAIRE
ZWEITBREMSE
FRENO SECONDARIO
FRENO SECUNDARIO
PARKERINGSBROMS

(B) (-XXXXXX) 8100 004722; 8200 003490; 8300 005814; 8400 006583
(C) (XXXXXX-) 8100 004723; 8200 003491; 8300 005815; 8400 006584

6E5

STEERING AND BRAKES

STEERING CYLINDER LINES (W/O MFWD) (8100 -004262; 8200 -003194; 8300 -005441)
CONDUITES DES VERINS DE DIRECTION (W/O MFWD) (8100 -004262; 8200 -003194; 8300 -005441)
LENKZYLINDERLEITUNGEN (W/O MFWD) (8100 -004262; 8200 -003194; 8300 -005441)
LINEE DEL CILINDRO DELLO STERZO (W/O MFWD) (8100 -004262; 8200 -003194; 8300 -005441)
LINEAS DE LOS CILINDROS DE LA DIRECCION (W/O MFWD)(8100 -004262; 8200 -003194; 8300 -005441)
STYRCYLINDERLEDNINGAR (W/O MFWD) (8100 -004262; 8200 -003194; 8300 -005441)
RE026972 -UN-31MAY96



RE026972

6E6

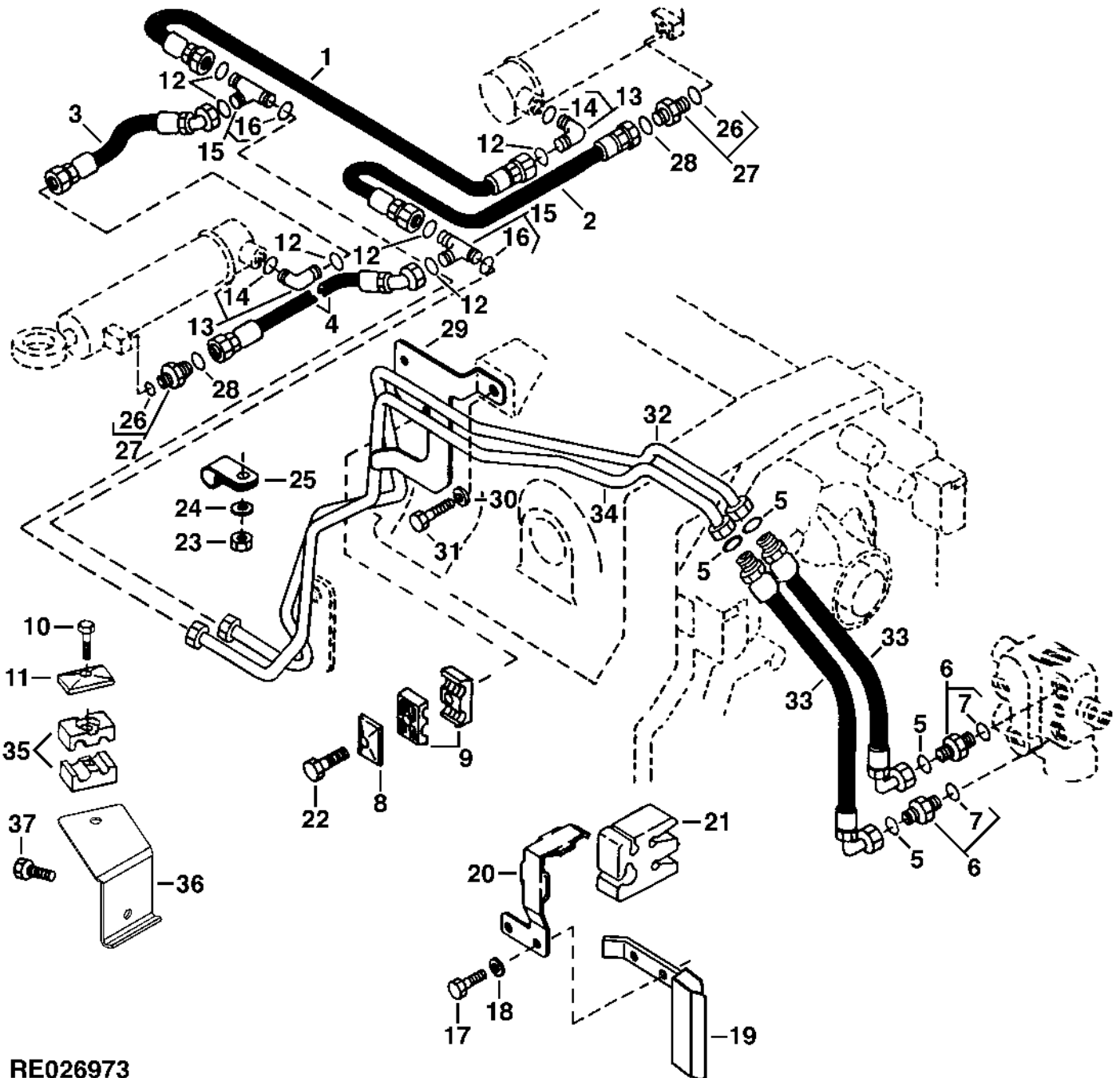
STEERING AND BRAKES

KEY	PART NO.	PART NAME	QTY	TRACTOR SERIAL NO.			REMARKS
				8	8	8	
				1	2	3	
				0	0	0	
				0	0	0	
1	RE61746	HYDRAULIC HOSE	1	X	X	X	
2	RE61745	HYDRAULIC HOSE	1	X	X	X	
3	RE61576	HYDRAULIC HOSE	1	X	X	X	
4	RE61578	HYDRAULIC HOSE	1	X	X	X	
5	T77857	O-RING	4	X	X	X	
6	38H5003	ADAPTER	2	X	X	X	
7	51M7043	O-RING	2	X	X	X	15.300 X 2.200 MM
8	H121168	PLATE	2	X	X	X	
9	H135156	CLAMP	4	X	X	X	
10	RE61141	OIL LINE	1	X	X	X	(SUB (2) RE62783, RE65254, RE65255, RE65330, H112567, (2) H141510, 19M7162 AND 19M7185)
	RE61141	OIL LINE	1	X	X	X	(A) (SUB (2) RE62783, RE65254, RE65255, RE65330, (2) RE66231, H112567, (2) H141510, T13814, 19M7162 AND 19M7185)
11	RE61142	OIL LINE	1	X	X	X	(SUB (2) RE62783, RE65254, RE65255, RE65330, H112567, (2) H141510, 19M7162 AND 19M7185)
	RE61142	OIL LINE	1	X	X	X	(A) (SUB (2) RE62783, RE65254, RE65255, RE65330, RE66231, H112567, (2) H141510, T13814, 19M7162 AND 19M7185)
12	T77857	O-RING	6	X	X	X	
13	38H5017	ELBOW FITTING	2	X	X	X	
14	51M7043	O-RING	2	X	X	X	15.300 X 2.200 MM
15	38H5031	TEE FITTING	2	X	X	X	
16	T77857	O-RING	2	X	X	X	
17	19M7167	CAP SCREW	2	X	X	X	M10 X 25
18	24M7346	WASHER	2	X	X	X	11 X 20 X 2 MM
19A	R120133	SUPPORT	1	-XXXXXX	X	X	
19B	RE62562	BRACKET	1	XXXXXX-	X	X	
20	R121776	BRACKET	1	X	X	X	
21	R126381	CLAMP	1	X	X	X	(SUB FOR R121777)
22	19M8318	SCREW	2	X	X	X	M8 X 45, HS 10.9
23	14M7275	NUT	2	X	X	X	M12
24	24M7240	WASHER	2	X	X	X	13 X 25 X 3 MM
25	R125461	CLAMP	2	X	X	X	
26	51M7041	O-RING	4	X	X	X	11.300 X 2.200 MM
27	38H5002	ADAPTER	2	X	X	X	
28	T77613	O-RING	2	X	X	X	
29	R135811	BRACKET	1	X	X	X	(SUB FOR R124824)
30	24M7240	WASHER	1	X	X	X	13 X 25 X 3 MM
31	19M7872	CAP SCREW	1	X	X	X	M12 X 25, HS 10.9
32	RE62780	OIL LINE	1	X	X	X	(SUB (2) RE62783, RE65254, RE65255, RE65330, H112567, (2) H141510, 19M7162 AND 19M7185)
	RE62780	OIL LINE	1	X	X	X	(A) (SUB RE65254, RE65255, RE65330, RE66231, H112567, (2) H141510, T13814 AND 19M7162)
33	RE62783	HYDRAULIC HOSE - FABRICATE	2	X	X	X	
34	RE62779	OIL LINE	1	X	X	X	(SUB (2) RE62783, RE65254, RE65255, RE65330, H112567, (2) H141510, 19M7162 AND 19M7185)
	RE62779	OIL LINE	1	X	X	X	(A) (SUB RE65254, RE65255, RE65330, RE66231, H112567, (2) H141510, T13814, 19M7162 AND 19M7185)

(A) SECONDARY BRAKE
 FREIN SECONDAIRE
 ZWEITBREMSE
 FRENO SECONDARIO
 FRENO SECUNDARIO
 PARKERINGSBROMS

6E7

STEERING CYLINDER LINES (W/O MFWD) (8100 004263- ; 8200 003195- ; 8300 005442-)
CONDUITES DES VERINS DE DIRECTION (W/O MFWD) (8100 004263- ; 8200 003195- ; 8300 005442-)
LENKZYLINDERLEITUNGEN (W/O MFWD) (8100 004263- ; 8200 003195- ; 8300 005442-)
LINEE DEL CILINDRO DELLO STERZO (W/O MFWD) (8100 004263- ; 8200 003195- ; 8300 005442-)
LINEAS DE LOS CILINDROS DE LA DIRECCION (W/O MFWD) (8100 004263- ; 8200 003195- ; 8300 005442-)
STYRCYLINDERLEDNINGAR (W/O MFWD) (8100 004263- ; 8200 003195- ; 8300 005442-)
RE026973 -UN-30JUL96



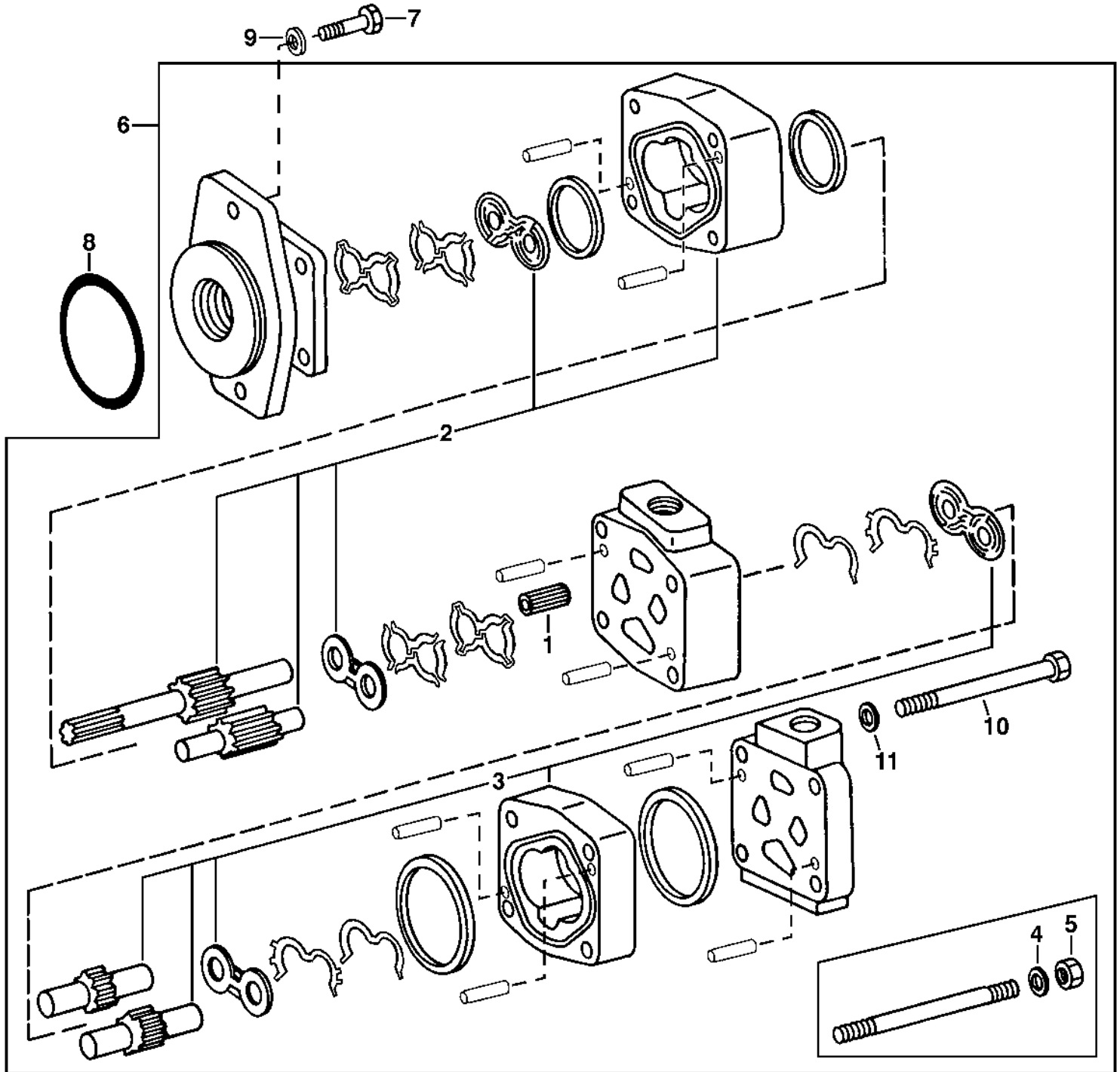
RE026973

6E8

STEERING AND BRAKES

KEY	PART NO.	PART NAME	QTY	TRACTOR			REMARKS
				SERIAL NO.	8 8 8	1 2 3	
					0 0 0		
					0 0 0		
1	RE61746	HYDRAULIC HOSE	1		X X X		
2	RE61745	HYDRAULIC HOSE	1		X X X		
3	RE61576	HYDRAULIC HOSE	1		X X X		
4	RE61578	HYDRAULIC HOSE	1		X X X		
5	T77857	O-RING	4		X X X		
6	38H5003	ADAPTER	2		X X X		
7	51M7043	O-RING	2		X X X		15.300 X 2.200 MM
8	H121168	PLATE	1		X X X		
9	H135156	CLAMP	2		X X X		
10	19M7185	CAP SCREW	1		X X X		M8 X 60
11	H112567	PLATE	1		X X X		
12	T77857	O-RING	6		X X X		
13	38H5017	ELBOW FITTING	2		X X X		
14	51M7043	O-RING	2		X X X		15.300 X 2.200 MM
15	38H5031	TEE FITTING	2		X X X		
16	R77857	RING	2		X X X		
17	19M7167	CAP SCREW	2		X X X		M10 X 25
18	24M7346	WASHER	2		X X X		11 X 20 X 2 MM
19	RE62562	BRACKET	1		X X X		
20	R121776	BRACKET	1		-XXXXXX	X X X	
	R151216	BRACKET	1		XXXXXX-	X X X	
21	R126381	CLAMP	1		X X X		(SUB FOR R121777)
22	19M8318	SCREW	1		X X X		M8 X 45, HS 10.9
23	14M7275	NUT	2		X X X		M12
24	24M7240	WASHER	2		X X X		13 X 25 X 3 MM
25	R125461	CLAMP	2		X X X		
26	51M7041	O-RING	4		X X X		11.300 X 2.200 MM
27	38H5002	ADAPTER	2		X X X		
28	T77613	O-RING	2		X X X		
29	R135811	BRACKET	1		X X X		(SUB FOR R124824)
30	24M7240	WASHER	1		X X X		13 X 25 X 3 MM
31	19M7872	CAP SCREW	1		X X X		M12 X 25, HS 10.9
32	RE65254	OIL LINE	1		X X X		
33	RE62783	HYDRAULIC HOSE - FABRICATE	2		X X X		
34	RE65255	OIL LINE	1		X X X		
35	H141510	CLAMP	2		X X X		
36	RE65330	BRACKET	1		X X X		
37	19M7162	CAP SCREW	1		X X X		M8 X 16

STEERING PUMP/CHARGE PUMP
 POMPE DE DIRECTION/POMPE DE GAVAGE
 LENKPUMPE/LADEPUMPE
 POMPA DELLO STERZO/POMPA DI CARICA
 BOMBA DE DIRECCION/BOMBA DE CARGA
 STYRPUMP/LADDNINGSPUMP
 RXP021645 -UN-30JUL96



RXP021645

6E10

STEERING AND BRAKES

KEY	PART NO.	PART NAME	QTY	TRACTOR SERIAL NO.	A	REMARKS
					L	
1	R114224	EXTERNAL HALF COUPLER	1		X	
2	RE58978	GEAR	1	-XXXXXX	X	(A) (C) (USE WITH RE58979)
	RE64237	GEAR	1	XXXXXX-	X	(A) (D) (USE WITH RE64236)
3	RE58976	GEAR	1		X	(B)
4	24M7240	WASHER	4	-XXXXXX	X	13 X 25 X 3 MM
5	14H1040	NUT	4	-XXXXXX	X	1/2"
6	RE60323	HYDRAULIC PUMP	1		X	
7	19M7285	CAP SCREW	2		X	M12 X 30
8	T42302	O-RING	1		X	
9	24M7240	WASHER	2		X	13 X 25 X 3 MM
10	19H3339	CAP SCREW	1	XXXXXX-	X	1/2" X 9-1/2", HS, SAE 8
11	R135088	WASHER	1	XXXXXX-	X	

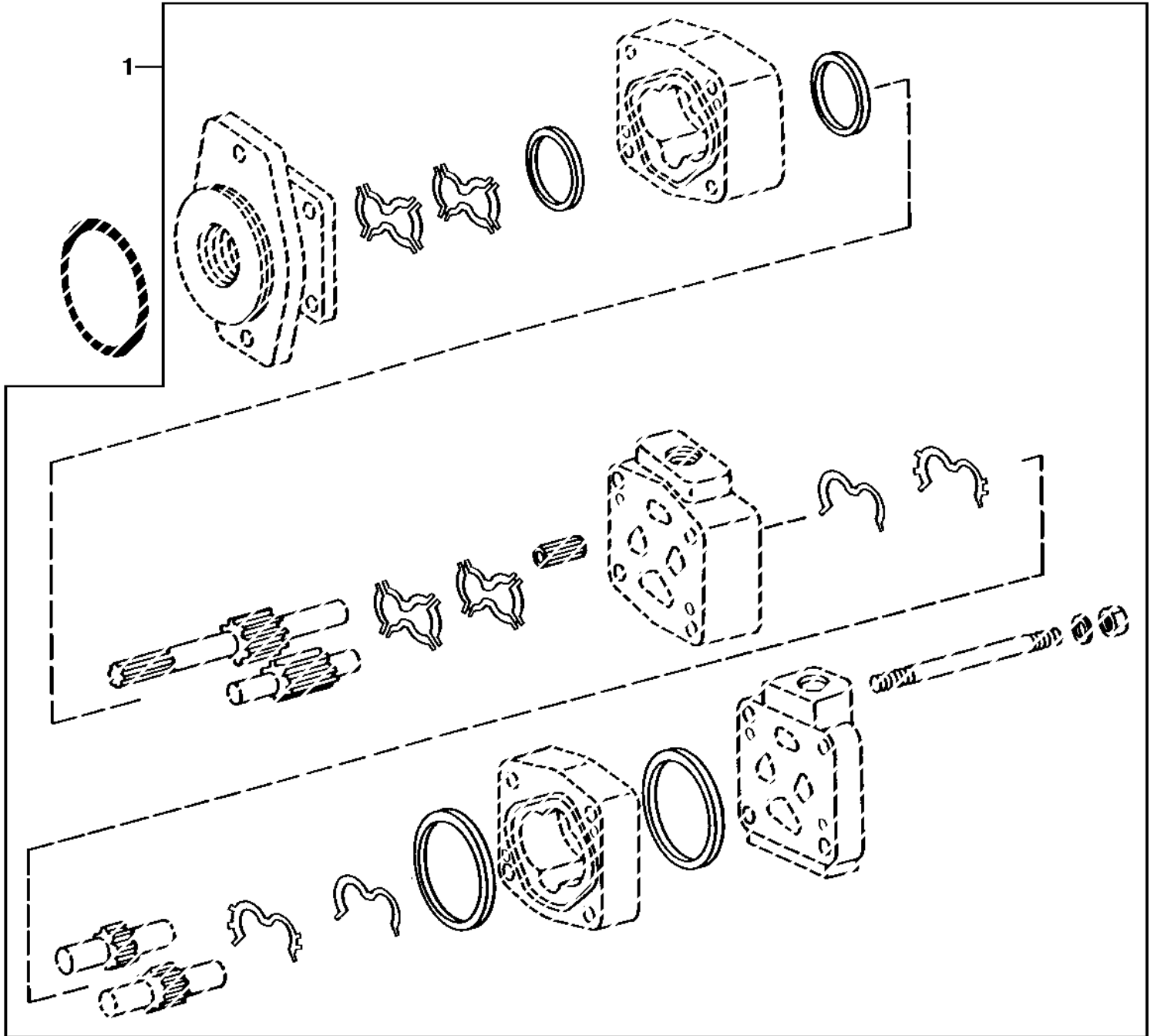
(A) CHARGE PUMP
 POMPE DE GAVAGE
 LADEPUMPE
 POMPA DI CARICA
 BOMBA DE CARGA
 LADDNINGSPUMP

(B) STEERING PUMP
 POMPE DE DIRECTION
 LENKPUMPE
 POMPA DELLO STERZO
 BOMBA DE DIRECCION
 STYRPUMP

(C) (-XXXXXX) 8100-002227; 8200-001921; 8300-003409; 8400-002192
 (D) (XXXXXX-) 8100-002228; 8200-001922; 8300-003410; 8400-002193

6E11

GEAR PUMP SEAL KIT
JEU D'ETANCHEITE DE LA POMPE A ENGRENAGES
ZAHNRADPUMPEN-DICHTUNGSSATZ
KIT DI TENUTA DELLA POMPA AD INGRANAGGI
CONJUNTO DE SELLOS DE BOMBA DE ENGRANAJES
TAETNINGSSATS FOER KUGGHJULSPUMP
RE026667 -UN-19DEC95



RE026667

6E12

STEERING AND BRAKES

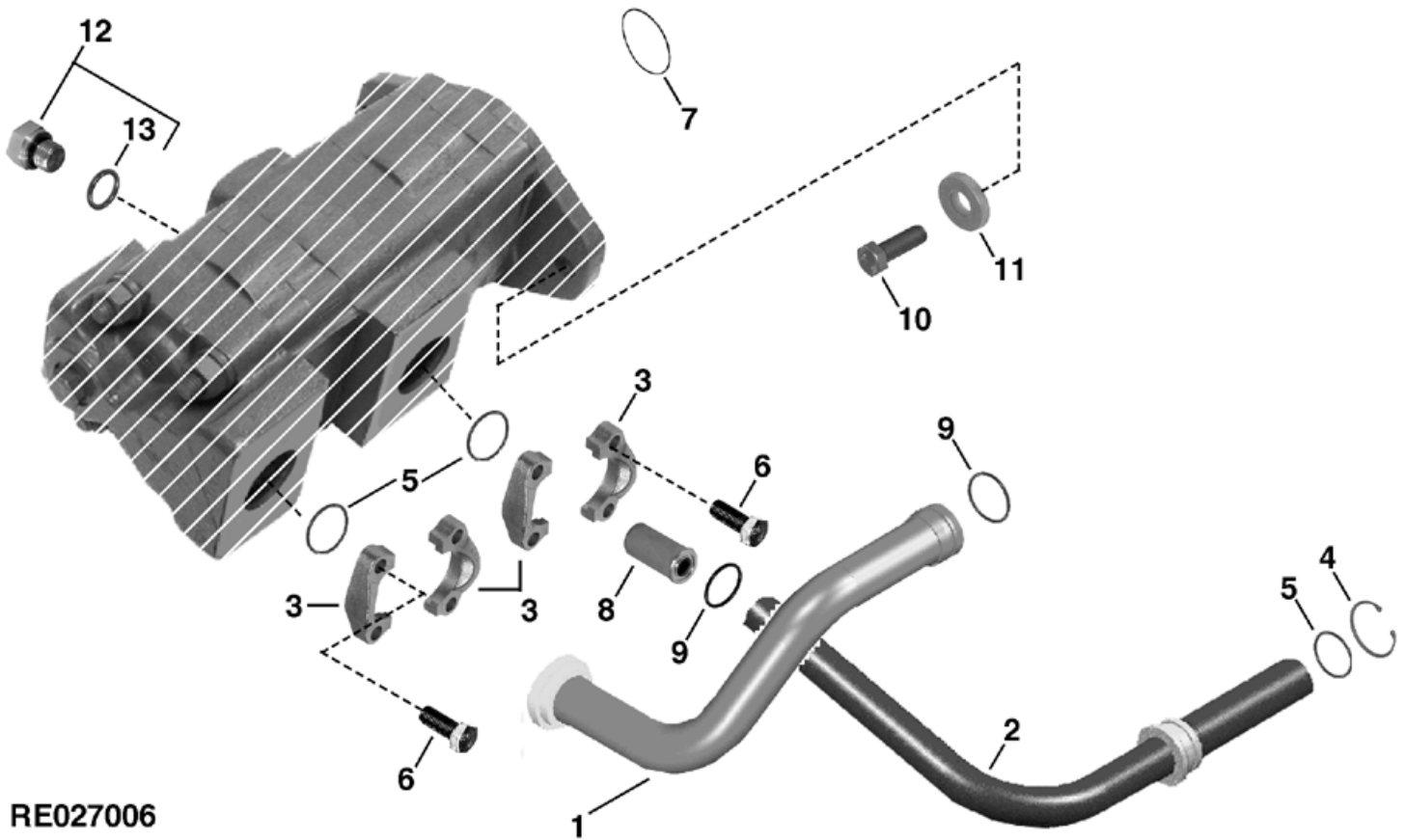
KEY	PART NO.	PART NAME	QTY	TRACTOR SERIAL NO.	A L L	REMARKS
1	RE58979	SEAL	1	-XXXXXX	X	(A) (USE WITH RE58978)
	RE64236	SEAL KIT	1	XXXXXX-	X	(B) (USE WITH RE64237)

(A) (-XXXXXX) 8100-002227; 8200-001921; 8300-003409; 8400-002192

(B) (XXXXXX-) 8100-002228; 8200-001922; 8300-003410; 8400-002193

6E13

STEERING PUMP REAR LINES/CHARGE PUMP REAR LINES
POMPE DE DIRECTION, CONDUITES ARRIERE/POMPE DE GAVAGE, CONDUITES ARRIERE
LENPUMPE, HINTERE LEITUNGEN/LADEPUMPE, HINTERE LEITUNGEN
POMPA DELLO STERZO, TUBI POSTERIORI/POMPA DI CARICAMENTO, TUBI POSTERIORI
BOMBA DE DIRECCION, LINEAS TRASERAS/BOMBA DE CARGA, LINEAS TRASERAS
STYRPUMP, BAKRE LEDNINGAR/LADDNINGSPUMP, BAKRE LEDNINGAR
RE027006 -UN-20JUN96



RE027006

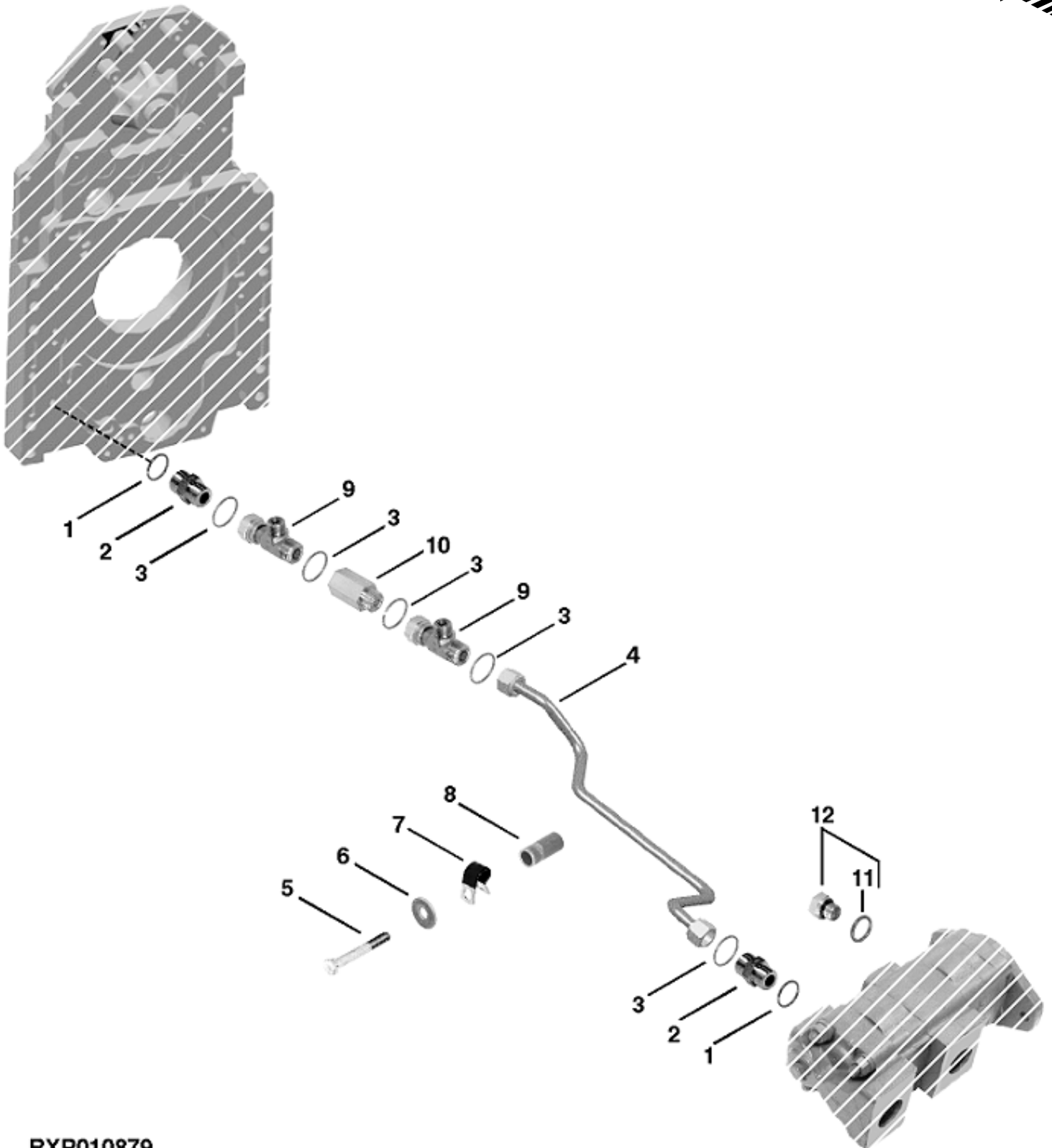
6E14

STEERING AND BRAKES

KEY	PART NO.	PART NAME	QTY	TRACTOR SERIAL NO.	A L L	REMARKS
1	RE44747	OIL LINE	1		X	
2	RE56319	LINE	1		X	
3	T47649	FLANGE FITTING	4		X	
4	M70619	SNAP RING	1		X	
5	B3690R	O-RING	3		X	
6	19M8011	CAP SCREW	8		X	M12 X 30, HS 10.9
7	T42302	O-RING	1		X	
8	R116598	CONNECTOR	1		X	
9	U10289	O-RING	2		X	
10	19M7789	SCREW	4		X	M12 X 30, HS 10.9
11	24M7240	WASHER	4		X	13 X 25 X 3 MM, (SUB FOR R106714) (ALSO ORDER 19M7789)
12	RE46684	PLUG	2		X	
13	51M7041	O-RING	2		X	11.300 X 2.200 MM

6E15

STEERING PUMP FRONT LINES
POMPE DE DIRECTION, CONDUITES AVANT
LENKPUMPE, VORDERE LEITUNGEN
POMPA DELLO STERZO, TUBI ANTERIORI
BOMBA DE DIRECCION, LINEAS DELANTERAS
STYRPUMP, FRAEMRE LEDNINGAR
RXP010879 -UN-01JAN94



RXP010879

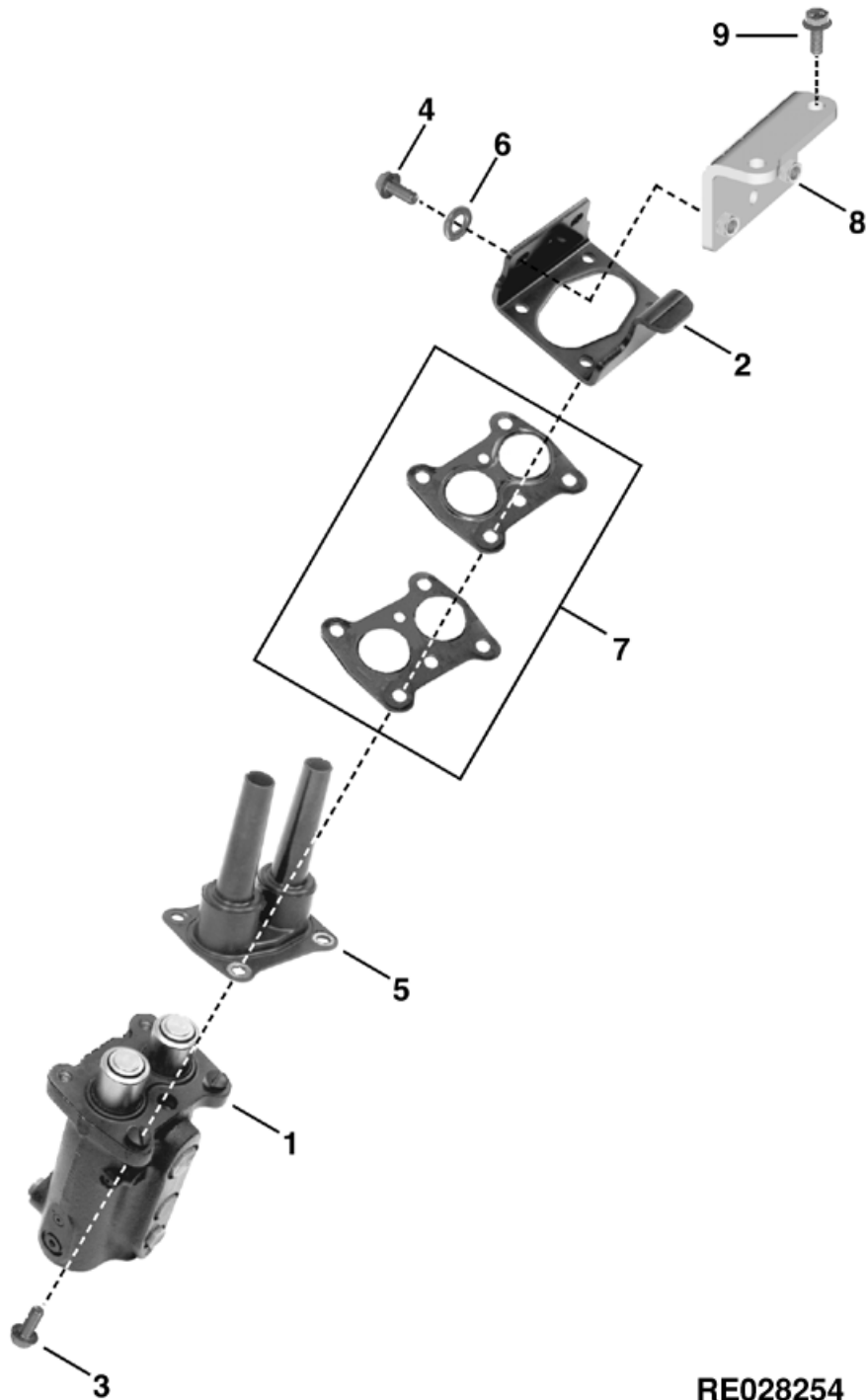
6E16

STEERING AND BRAKES

KEY	PART NO.	PART NAME	QTY	TRACTOR SERIAL NO.	A	REMARKS
					L	
1	51M7047	O-RING	2		X	23.600 X 2.900 MM
2	38H5005	ADAPTER	2		X	
3	T77858	O-RING	5		X	
4	RE65442	OIL LINE	1		X	(SUB FOR RE44752 OR RE64438)
5	37M7262	SCREW	1		X	M10 X 50
6	24M7178	WASHER	1	-XXXXXX	X	10.500 X 30 X 2.500 MM
7	R73291	CLAMP	1		X	
8	28H1497	BUSHING	1		X	0.493" X 0.675" X 1-1/2"
9	38H5136	TEE FITTING	2		X	
10	RE51573	FITTING	1		X	
11	51M7041	O-RING	2		X	11.300 X 2.200 MM
12	RE46684	PLUG	2		X	

6E17

BRAKE VALVE BRACKET
MAITRE-CYLINDRE
BREMSVENTIL
VALVOLA FRENO
VALVULA DE MANDO DEL FRENO
BROMSVENTIL
RE028254 -UN-27AUG97



RE028254

6E18

STEERING AND BRAKES

KEY	PART NO.	PART NAME	QTY	TRACTOR SERIAL NO.	A L L	REMARKS
1	RE60815	VALVE	1	-009999	X	(SUB RE67965 OR RE158282)
	RE158282	VALVE	1	010000-XXXXXX	X	(B) (SUB FOR RE67965)
	RE158282	VALVE	1	XXXXXX-	X	(C)
2	R119869	BRACKET	1		X	
3	19M7166	CAP SCREW	4		X	M10 X 20
4	19M7402	CAP SCREW	2		X	M10 X 25, HS 10.9
5	R126571	BOOT	1		X	
6	24M7028	WASHER	2		X	10.500 X 20 X 2 MM
7	RE60531	KIT	1		X	
8	RE66712	SUPPORT	1	XXXXXX-	X	(A)
9	37M7087	SCREW	1	XXXXXX-	X	(A) M10 X 25

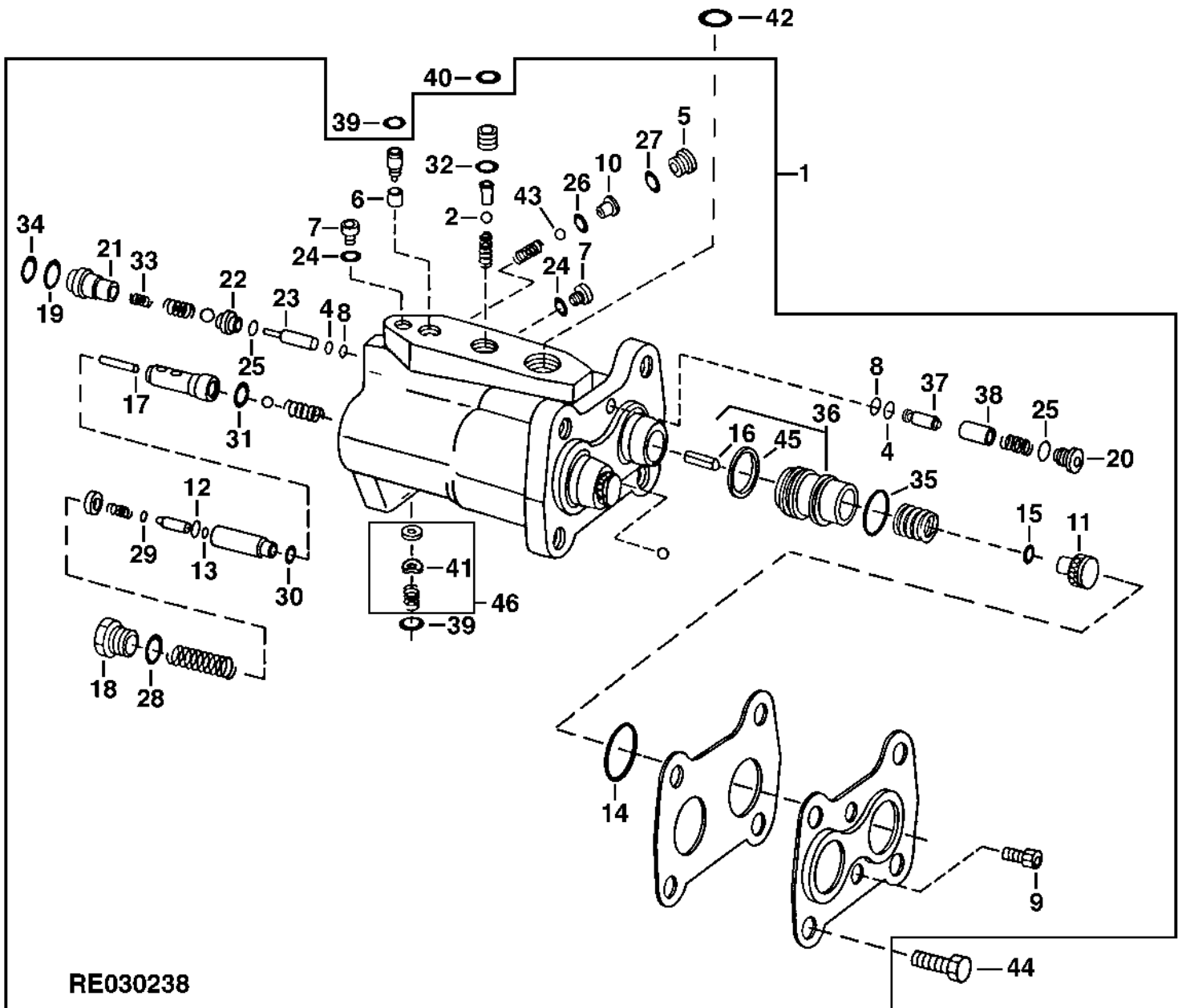
(A) (XXXXXX-) 8100-010372; 8200-010238; 8300-010415; 8400-010421

(B) (-XXXXXX) 8100-024289; 8200-024284; 8300-024310; 8400-024306

(C) (XXXXXX-) 8100-024290; 8200-024285; 8300-024311; 8400-024307

6E19

BRAKE VALVE
MAITRE-CYLINDRE
BREMSVENTIL
VALVOLA FRENO
VALVULA DE MANDO DEL FRENO
BROMSVENTIL
RE030238 -UN-21DEC98



6E20

STEERING AND BRAKES

KEY	PART NO.	PART NAME	QTY	TRACTOR SERIAL NO.	A L L	REMARKS
1	RE60815	VALVE	1	-009999	X	(SUB RE67965 OR RE158282)
	RE158282	VALVE	1	010000-XXXXXX	X	(B) (SUB FOR RE67965)
	RE158282	VALVE	1	XXXXXX-	X	(C)
2	R26552	BALL	1		X	
3	R124462	O-RING	2		X	
4	T42571	BACK-UP RING	2		X	
5	R108037	PLUG	1		X	
6	N191770	ORIFICE	1		X	
7	R108038	PLUG	2		X	
8	R108066	O-RING	2		X	
9	19M8493	SCREW	2		X	M8 X 12, HS 10.9
10	R108045	VALVE SEAT INSERT	1		X	
11	R124478	SHEAR PIN	2		X	
12	R108042	BACK-UP RING	2		X	
13	R108067	SEAL	2		X	
14	R108041	SEAL	2		X	
15	R124464	SEAL	2		X	
16	34M7102	SPRING PIN	2	-XXXXXX	X	(B) 5 X 26 MM
	25M7039	GROOVE PIN	1	XXXXXX-	X	(C) 5 X 24 MM
17	R60755	NEEDLE ROLLER	2		X	
18	R108062	PLUG	2		X	
19	T77932	O-RING	1		X	
20	R107799	PLUG	2		X	
21	R108049	PLUG	1	-009999	X	
	R132840	PLUG	1	010000-	X	
22	R113056	VALVE SEAT INSERT	1	-009999	X	(SUB R132841)
	R132841	VALVE SEAT INSERT	1	010000-	X	
23	R108051	PISTON	1		X	
24	R30903	O-RING	2		X	
25	R113057	PACKING	2		X	
26	R26287	O-RING	1		X	
27	R26448	O-RING	1		X	
28	U17409	O-RING	2		X	
29	A4365R	O-RING	2		X	
30	R10093	O-RING	2		X	
31	T77932	O-RING	2		X	
32	R28776	O-RING	1		X	
33	R132843	SPRING	1		X	
34	R113054	BACK-UP RING	1	-009999	X	
35	R124463	SEAL	2		X	
36	RE159217	KIT	1	-XXXXXX	X	(A) (C) (SUB FOR RE60534)
	RE159217	KIT	1	XXXXXX-	X	(B)
37	R159216	PISTON	1	-XXXXXX	X	(A) (SUB FOR R124477)
	R159216	PISTON	1	XXXXXX-	X	(B)
38	R124475	SPOOL	1		X	
39	51M7041	O-RING	3		X	11.300 X 2.200 MM
40	51M7043	O-RING	1		X	15.300 X 2.200 MM
41	R127771	SPRING	2		X	
42	51M7045	O-RING	1		X	19.300 X 2.200 MM
43	R113061	BALL	1		X	
44	19M7166	CAP SCREW	4		X	M10 X 20
45	R124462	O-RING	1	XXXXXX-	X	(B)
46	RE69092	KIT	1		X	

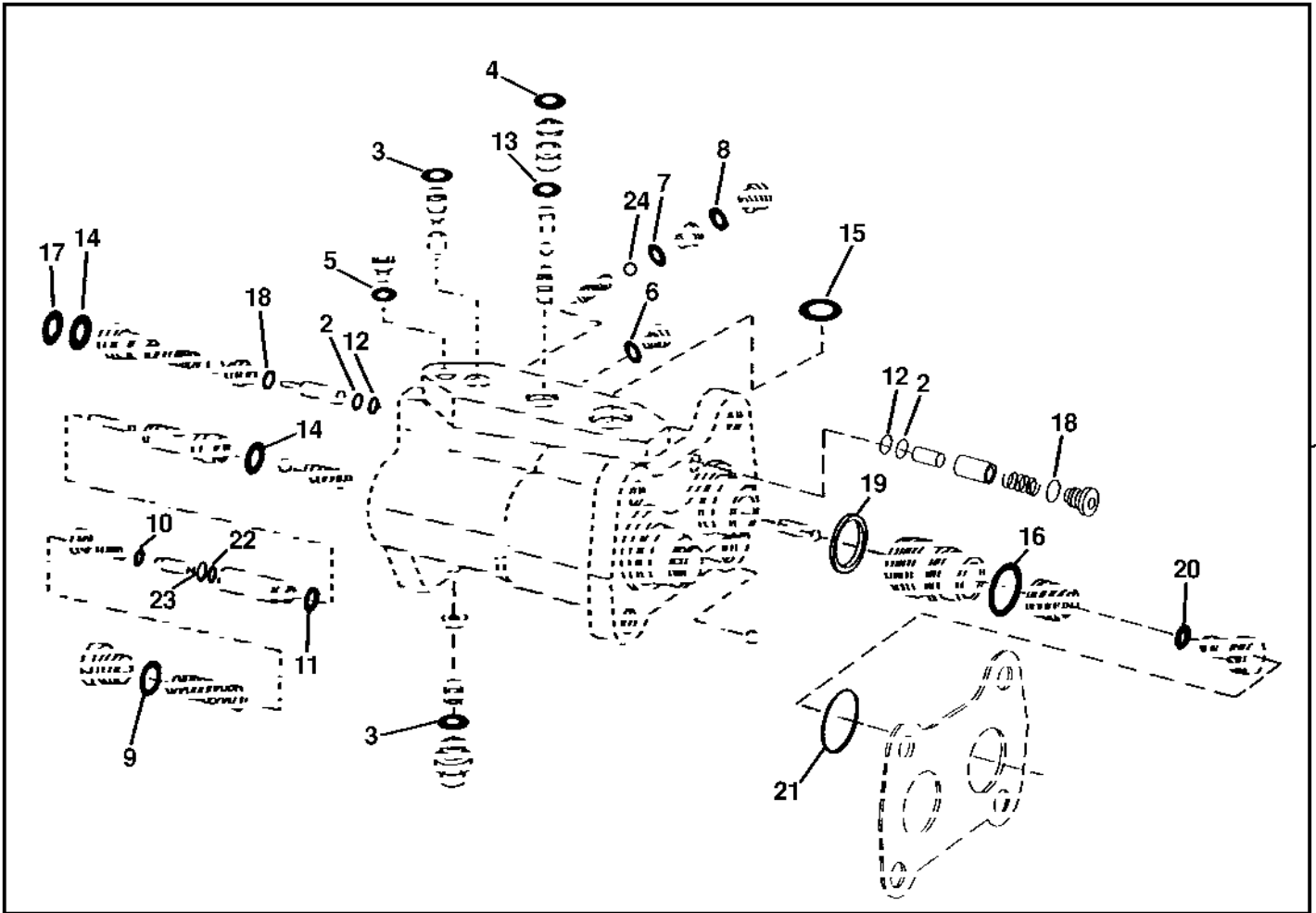
(A) RING NOT INCLUDED

(B) (-XXXXXX) 8100-024289; 8200-024284; 8300-024310; 8400-024306

(C) (XXXXXX-) 8100-024290; 8200-024285; 8300-024311; 8400-024307

6E21

BRAKE VALVE OVERHAUL KIT
JEU DE PIECES DE REMPLACEMENT DE SOUPEPE DE FREIN
BREMSVENTILUEBERHOLSATZ
KIT SOSTITUZIONE VALVOLA FRENO
JUEGO DE REVISION DEL FRENO DE VALVULA
RENOVERINGSSATS FOER BROMSVENTIL
RE028256 -UN-27AUG97



RE028256

6E22

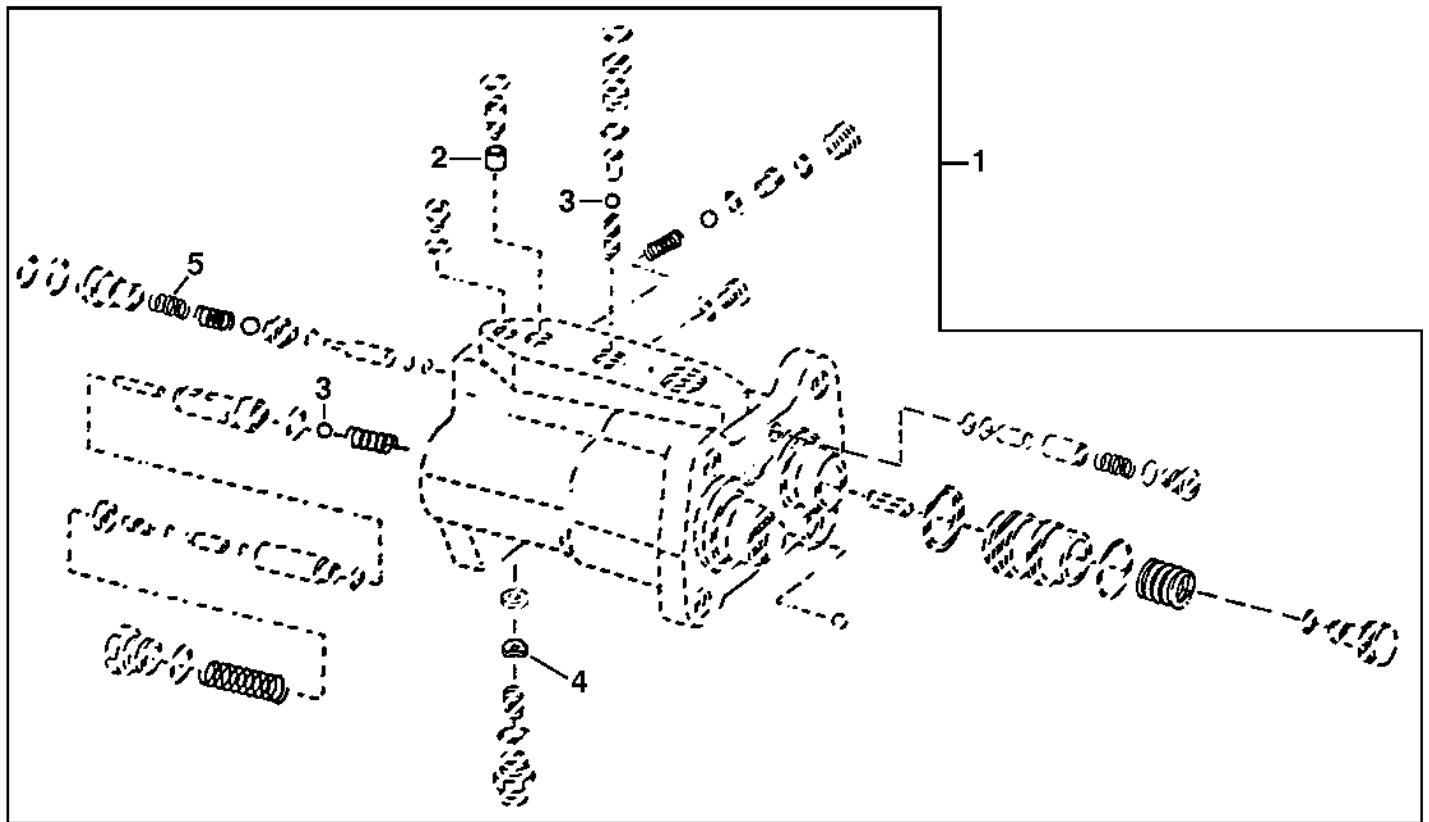
STEERING AND BRAKES

KEY	PART NO.	PART NAME	QTY	TRACTOR SERIAL NO.	A L L	REMARKS
1	RE60529	KIT	1	-009999	X	(SUB RE68237)
	RE68237	KIT	1	010000-XXXXXX	X	(A)
	RE157111	KIT	1	XXXXXX-	X	(B)
2	T42571	BACK-UP RING	1		X	
3	51M7041	O-RING	3		X	11.300 X 2.200 MM
4	51M7043	O-RING	1		X	15.300 X 2.200 MM
5	R30903	O-RING	1		X	
6	R30903	O-RING	4		X	
7	R26287	O-RING	1		X	
8	R26448	O-RING	1		X	
9	U17409	O-RING	2		X	
10	A4365R	O-RING	2		X	
11	R10093	O-RING	2		X	
12	R108066	O-RING	2		X	
13	R28776	O-RING	1		X	
14	T77932	O-RING	3		X	
15	51M7045	O-RING	1		X	19.300 X 2.200 MM
16	R124463	SEAL	2		X	
17	R113054	BACK-UP RING	1	-009999	X	
18	R113057	PACKING	2		X	
19	R124462	O-RING	2		X	
20	R124464	SEAL	2		X	
21	R108041	SEAL	2		X	
22	R108067	SEAL	2		X	
23	R108042	BACK-UP RING	2		X	
24	R113061	BALL	1		X	

(A) (-XXXXXX) 8100-024289; 8200-024284; 8300-024310; 8400-024306

(B) (XXXXXX-) 8100-024290; 8200-024285; 8300-024311; 8400-024307

BRAKE VALVE HARDWARE KIT
JEU DE BOULONNERIE DE SOUPEPE DE FREIN
BREMSVENTIL-BEFESTIGUNGSTEILESATZ
KIT BULLONERIA DELLA VALVOLA DI RITENUTA DEL FRENO
CONJUNTO DE SUJETADORES DE LA VALVULA DEL FRENO
FAESTELEMENT FOER BROMSVENTIL
RE028257 -UN-27AUG97



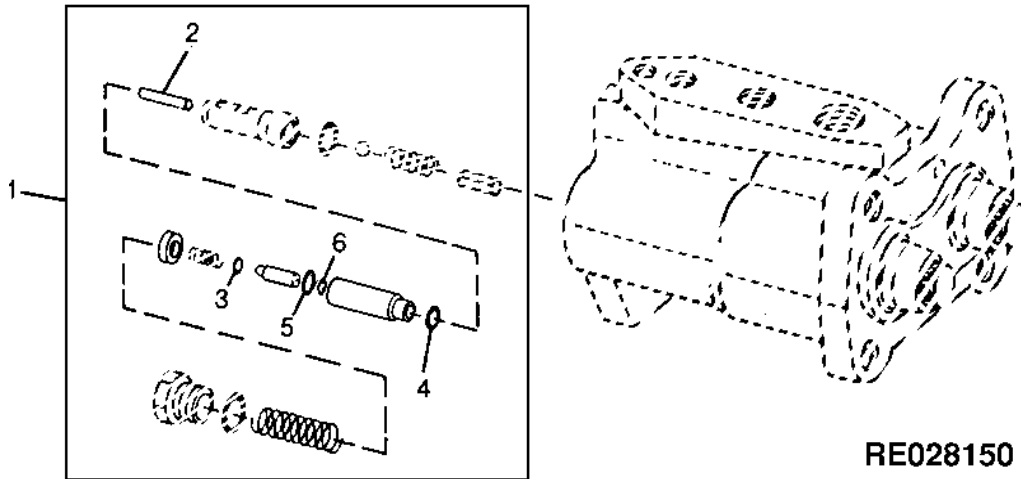
RE028257

6E24

STEERING AND BRAKES

KEY	PART NO.	PART NAME	QTY	TRACTOR SERIAL NO.	A L L	REMARKS
1	RE66140	KIT	1	-009999	X	(SUB FOR RE60535) (SUB RE67963)
	RE67963	KIT	1	010000-	X	
2	N191770	ORIFICE	1		X	
3	R26552	BALL	3		X	
4	R127771	SPRING	2	-009999	X	
5	R132843	SPRING	1	010000-	X	

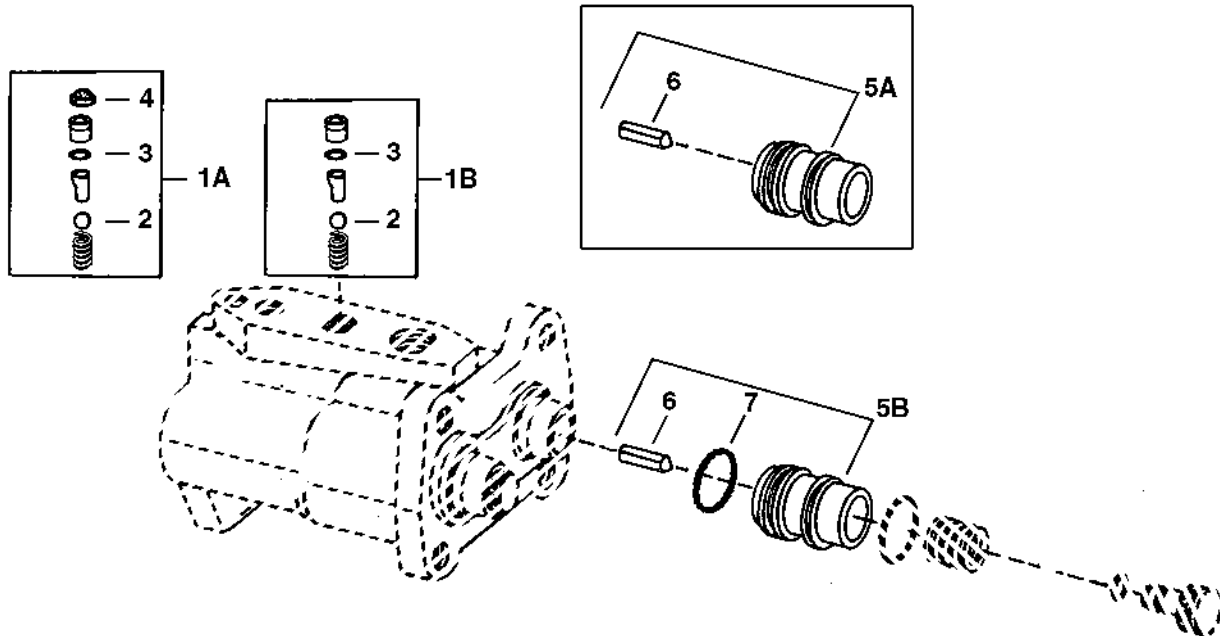
BRAKE MAKE-UP CHECK VALVE KIT
JEU DE CLAPET DE RETENUE DE COMPENSATION DE FREIN
BREMSAUSGLEICH-RUECHSCHLAGVENTILSATZ
KIT VALVOLA DI RITENUTA COMPENSAZIONE DEI FRENI
CONJUNTO DE VALVULA DE RETENCION DE COMPENSACION DEL FRENO
REDUCERVENTILSATZ FOER BROMSUTJAEMNING
 RE028150 -UN-02JUL97



KEY	PART NO.	PART NAME	QTY	TRACTOR SERIAL NO.	A	REMARKS
					L	
1	RE60708	KIT	1		X	
2	R60755	NEEDLE ROLLER	1		X	
3	A4365R	O-RING	1		X	
4	R10093	O-RING	1		X	
5	R108042	BACK-UP RING	1		X	
6	R108067	SEAL	1		X	

6F1

BRAKE PRESSURE INLET CHECK VALVE KIT
JEU DE CLAPET DE RETENUE D'ORIFICE D'ENTREE DE PRESSION DE FREIN
BREMSDRUCKEINLASS-RUECKSCHLAGVENTILSATZ
KIT VALVOLA DI RITENUTA ENTRATA DELLA PRESSIONE DEI FRENI
CONJUNTO DE VALVULA DE RETENCION DE ENTRADA DE PRESION DEL FRENO
REDUCERVENTILSATZ FOR BROMSTRYCKSINLOPP
 RE030179 -UN-19NOV98



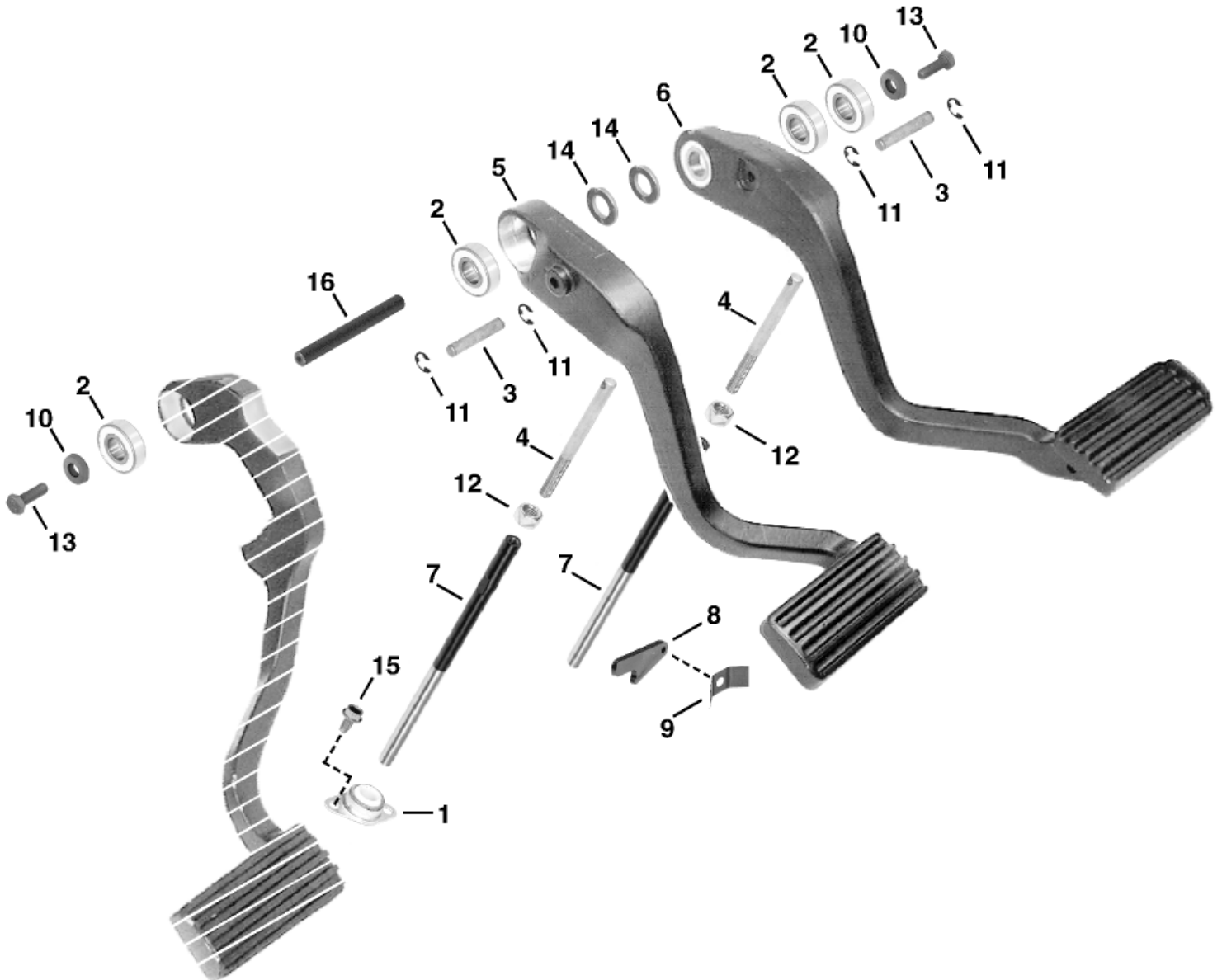
RE030179

KEY	PART NO.	PART NAME	QTY	TRACTOR SERIAL NO.	A		REMARKS
					L	L	
1A	RE60532	KIT	1	-009999	X		(SUB RE68243)
	RE155450	KIT	1	010000-XXXXXX	X	(A)	(SUB FOR RE68243)
1B	RE155450	KIT	1	XXXXXX-	X		(B)
2	R26552	BALL	1		X		
3	R28776	O-RING	1		X		
4	R113058	FILTER	1	-XXXXXX	X	(A)	
5A	RE159217	KIT	2	-XXXXXX	X	(A)	(SUB FOR RE60534)
5B	RE159217	KIT	2	XXXXXX-	X	(B)	
6	34M7102	SPRING PIN	2	-XXXXXX	X	(A)	5 X 26 MM
	25M7039	GROOVE PIN	2	XXXXXX-	X	(B)	5 X 24 MM
7	R124462	O-RING	2		X		

(A) (-XXXXXX) 8100-024289; 8200-024284; 8300-024310; 8400-024306
 (B) (XXXXXX-) 8100-024290; 8200-024285; 8300-024311; 8400-024307

6F2

BRAKE PEDALS
PEDALE DE FREIN
BREMSFUSSHEBEL
PEDALI FRENO
PEDAL DE FRENO
BROMSPEDALER
RE028297 -UN-05SEP97



RE028297

6F3

STEERING AND BRAKES

KEY	PART NO.	PART NAME	QTY	TRACTOR SERIAL NO.	A	REMARKS
					L	
1	AH129236	BEARING	2	-XXXXXX	X	(A)
	RE65233	BEARING	2	XXXXXX-	X	(B)
2	JD8535	BALL BEARING	4		X	
3	R53226	PIN	2		X	
4	R126384	END	2		X	
5	R124312	PEDAL	1		X	
6	R124313	PEDAL	1		X	
7	R125999	ROD	2		X	
8	R50879	ARM	1		X	
9	R50034	LEAF SPRING	1		X	
10	R56397	WASHER	2		X	
11	R72653	SNAP RING	4		X	
12	14M7275	NUT	2		X	M12
13	19M7932	CAP SCREW	2		X	M8 X 16, HS 10.9
14	24M7053	WASHER	2		X	17 X 30 X 3 MM
15	37M7089	SCREW	4		X	M6 X 12
16	R124430	SHAFT	1		X	

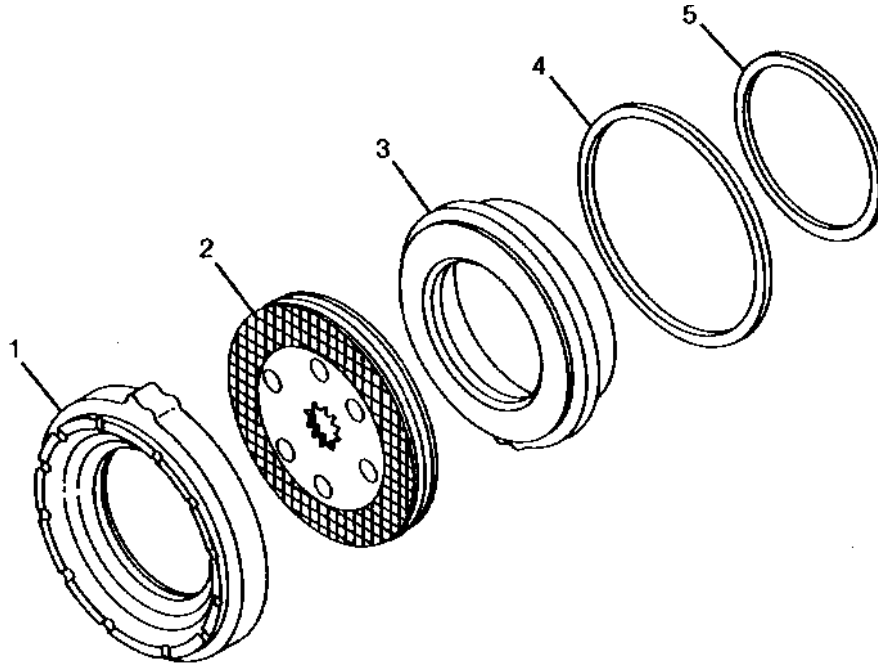
(A) (-XXXXXX) 8100-002963; 8200-002331; 8300-004077; 8400-002645

(B) (XXXXXX-) 8100-002964; 8200-002332; 8300-004078; 8400-002646

MEMORANDA
MEMORANDA
MEMORANDA
MEMORANDA
MEMORANDA

6F4

BRAKE DISK
DISQUE DE FREIN
BREMSSCHEIBE
DISCO FRENO
DISCO DEL FRENO
BROMSENHET
 RXP010803 -UN-01JAN94

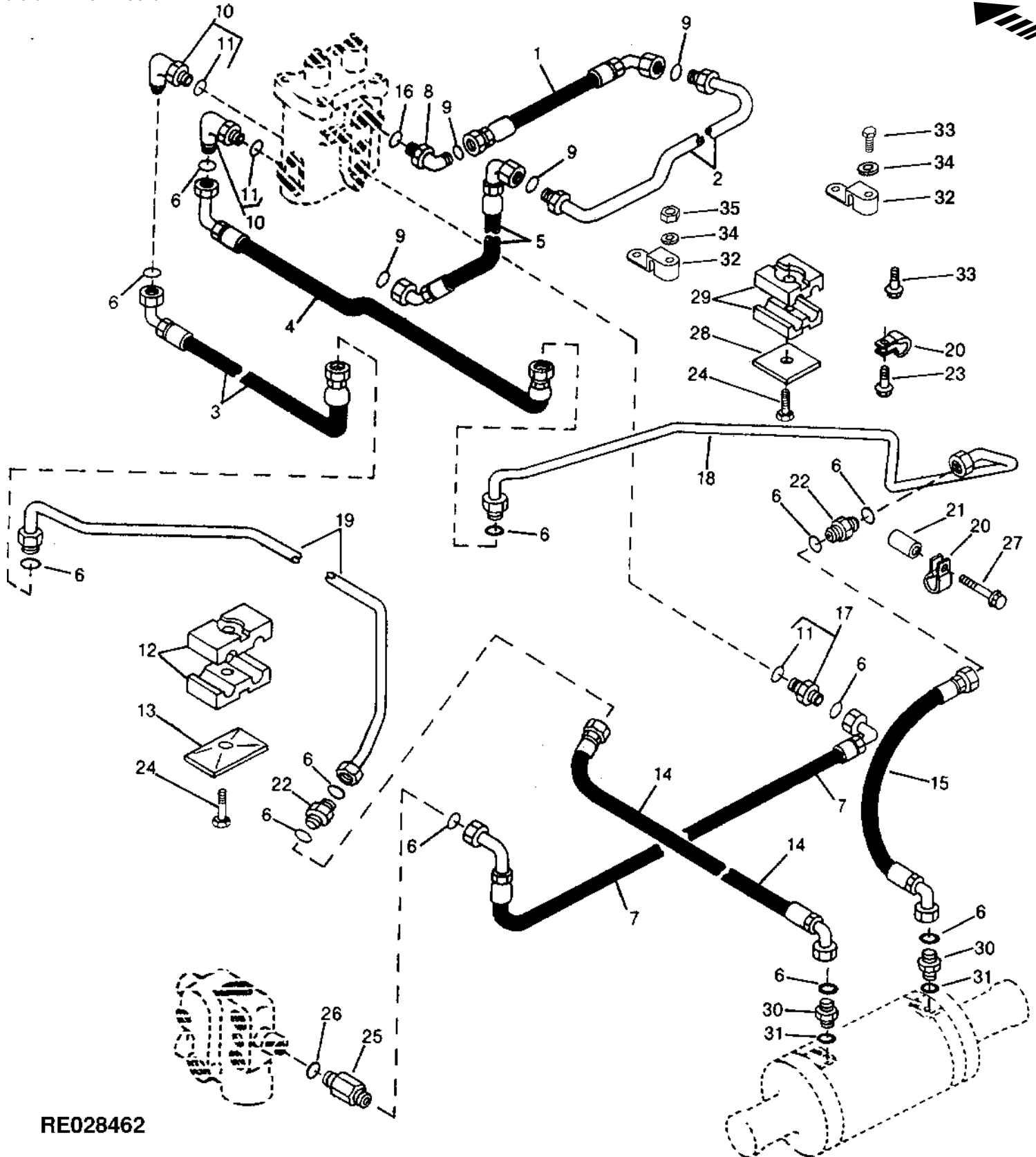


RXP010803

KEY	PART NO.	PART NAME	QTY	TRACTOR SERIAL NO.	A	REMARKS
					L	
1	R124067	PLATE	2		X	
2	RE154280	BRAKE DISK	2		X	(SUB FOR RE46460)
3	R124815	PISTON	2		X	
4	R125667	RING	2		X	
5	R125666	RING	2		X	

6F5

BRAKE OIL LINES
CONDUITES D'HUILE DE FREIN
BREMSOELLEITUNGEN
TUBAZIONI FRENO
TUBERIAS DE ACEITE DEL FRENO
BROMSOLJELEDNINGAR
RE028462 -UN-24OCT97



RE028462

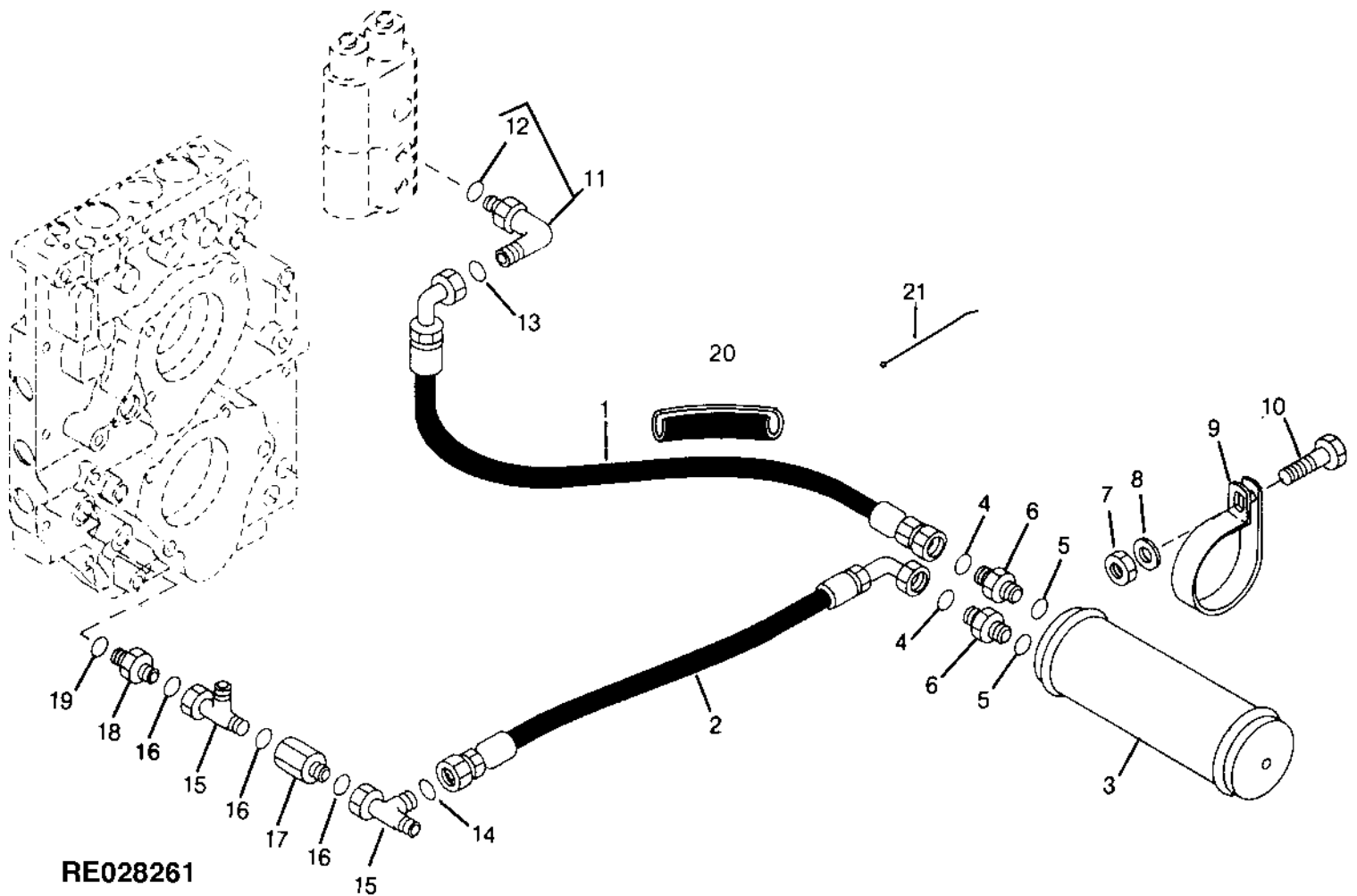
6F6

STEERING AND BRAKES

KEY	PART NO.	PART NAME	QTY	TRACTOR SERIAL NO.	A L L	REMARKS
1	RE60675	HYDRAULIC HOSE - FABRICATE	1	-009999	X	
2	RE58581	OIL LINE	1	-009999	X	
3	RE44778	HYDRAULIC HOSE - FABRICATE	1		X	
4	RE44738	HYDRAULIC HOSE - FABRICATE	1		X	
5	RE60676	HYDRAULIC HOSE - FABRICATE	1	-009999	X	
6	T77613	O-RING	4	-009999	X	
	T77613	O-RING	8		X	
7	RE62188	HYDRAULIC HOSE - FABRICATE	1		X	
8	38H5018	ELBOW FITTING	1		X	
9	T77932	O-RING	3	-009999	X	
	T77932	O-RING	1		X	
10	38H5016	ELBOW FITTING	2		X	
11	51M7041	O-RING	3		X	11.300 X 2.200 MM
12	H108291	CLAMP	4	-009999	X	
13	H121168	PLATE	2	-009999	X	
14	RE61577	HYDRAULIC HOSE - FABRICATE	1	-009999	X	
15	RE61300	HYDRAULIC HOSE - FABRICATE	1	-009999	X	
16	51M7045	O-RING	1		X	19.300 X 2.200 MM
17	38H5002	ADAPTER	1		X	
18	RE44727	HYDRAULIC LINE	1	-009999	X	
19	RE61135	HYDRAULIC LINE	1	-009999	X	
	HOSE	1		X	47 MM (1.85") (MAKE FROM T57822)
20	T13814	CLAMP	2	-009999	X	
21	28H3390	SPACER	2	-009999	X	0.364" X 0.540" X 1"
22	38H5060	UNION FITTING	2	-009999	X	
23	37M7058	SCREW	3	-009999	X	M8 X 20
24	37M7103	SCREW	3	-009999	X	M8 X 45
25	RE60969	FITTING	1		X	
26	51M7040	O-RING	1		X	9.300 X 2.200 MM
27	37M7108	SCREW	1	-009999	X	M8 X 60
28	H121163	COVER	1	-009999	X	
29	H128515	CLAMP	2	-009999	X	
30	38H1160	ADAPTER	2		X	
31	R26448	O-RING	2		X	
32	H112162	CLAMP	2	-009999	X	
33	19M7298	CAP SCREW	1	-009999	X	M8 X 35
34	24M7055	WASHER	2	-009999	X	8.400 X 16 X 1.600 MM
35	14M7273	NUT	1	-009999	X	M8

6F7

BRAKE VALVE ATTENUATOR
AMORTISSEUR HUILE HYDRAULIQUE
HYDRAULIKOELDAEMPFER
AMORTIZZATORE OLIO IDRAULICO
AMORTIGUADOR DE ACEITE HIDRAULICO
HYDRAULOLJEDAMPARE
RE028261 -UN-12SEP97



6F8

STEERING AND BRAKES

KEY	PART NO.	PART NAME	QTY	TRACTOR SERIAL NO.	A L L	REMARKS
1	RE60677	HYDRAULIC HOSE	1	-XXXXXX	X	(A) (SUB RE151968)
	RE70846	HOSE	1	XXXXXX-XXXXXX	X	(B) (C) (SUB RE151968)
	RE151968	HYDRAULIC HOSE - FABRICATE	1	XXXXXX-	X	(D)
2	RE60678	HYDRAULIC HOSE - FABRICATE	1		X	
3	AR75693	ATTENUATOR	1		X	(SUB FOR AR150551)
4	T77857	O-RING	2		X	
5	R26448	O-RING	2		X	
6	38H1173	ADAPTER	2		X	
7	14M7273	NUT	2		X	M8
8	24M7336	WASHER	2		X	9 X 16 X 1.600 MM
9	R35794	CLAMP	2		X	
10	03M7187	BOLT	2		X	M8 X 35
11	38H5017	ELBOW FITTING	1		X	
12	51M7043	O-RING	1		X	15.300 X 2.200 MM
13	T77857	O-RING	1		X	
14	T77932	O-RING	1		X	
15	38H5136	TEE FITTING	2		X	
16	T77858	O-RING	3		X	
17	RE51573	FITTING	1		X	
18	38H5005	ADAPTER	1		X	
19	51M7047	O-RING	1		X	23.600 X 2.900 MM
20	T21959	ISOLATOR	1	-XXXXXX	X	(A)
21	R44302	TIE BAND	1	-XXXXXX	X	(A)

(A) (-XXXXXX) 8100-011074; 8200-011042; 8300-011076; 8400-011098

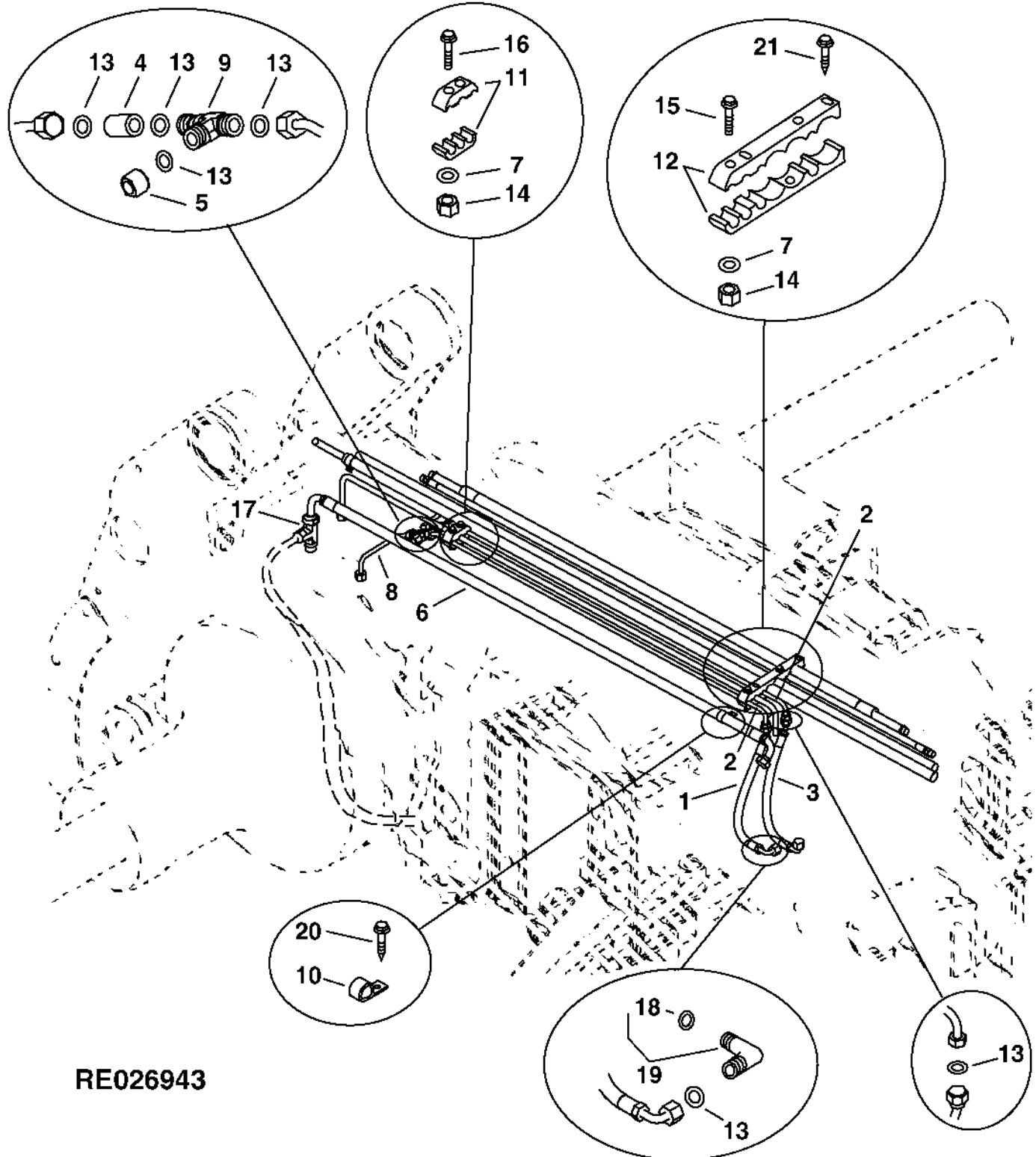
(B) (XXXXXX-) 8100-011075; 8200-011043; 8300-011077; 8400-011099

(C) (-XXXXXX) 8100-012738; 8300-012227; 8300-013121; 8400-013079

(D) (XXXXXX-) 8100-012739; 8200-012228; 8300-013122; 8400-013080

6F9

BRAKE OIL LINES (REAR) (TRAILER BRAKE) (8100,8200,8300,8400 010000-)
CONDUITES D'HUILE DE FREIN (ARRIERE) (W/ FREIN DE REMARQUE HYDR.) (8100,8200,8300,8400 010000-)
BREMSOELLEITUNGEN (HINTEN) (W/ HYDR. ANHAENGERBREMSE) (8100,8200,8300,8400 010000-)
TUBAZIONI FRENO (POSTERIORE) (W/ FRENO IDRAUL RIMORCHIO) (8100,8200,8300,8400 010000-)
TUBERIAS DE ACEITE DEL FRENO (TRASERO) (W/ FRENO HIDRAULREMOLQUE) (8100,8200,8300,8400 010000-)
BROMSOLJEDNINGAR (BAK,BAKRE) (W/ SL'PVAGNSBROMS) (8100,8200,8300,8400 010000-)
RE026943 -UN-18JUL96



RE026943

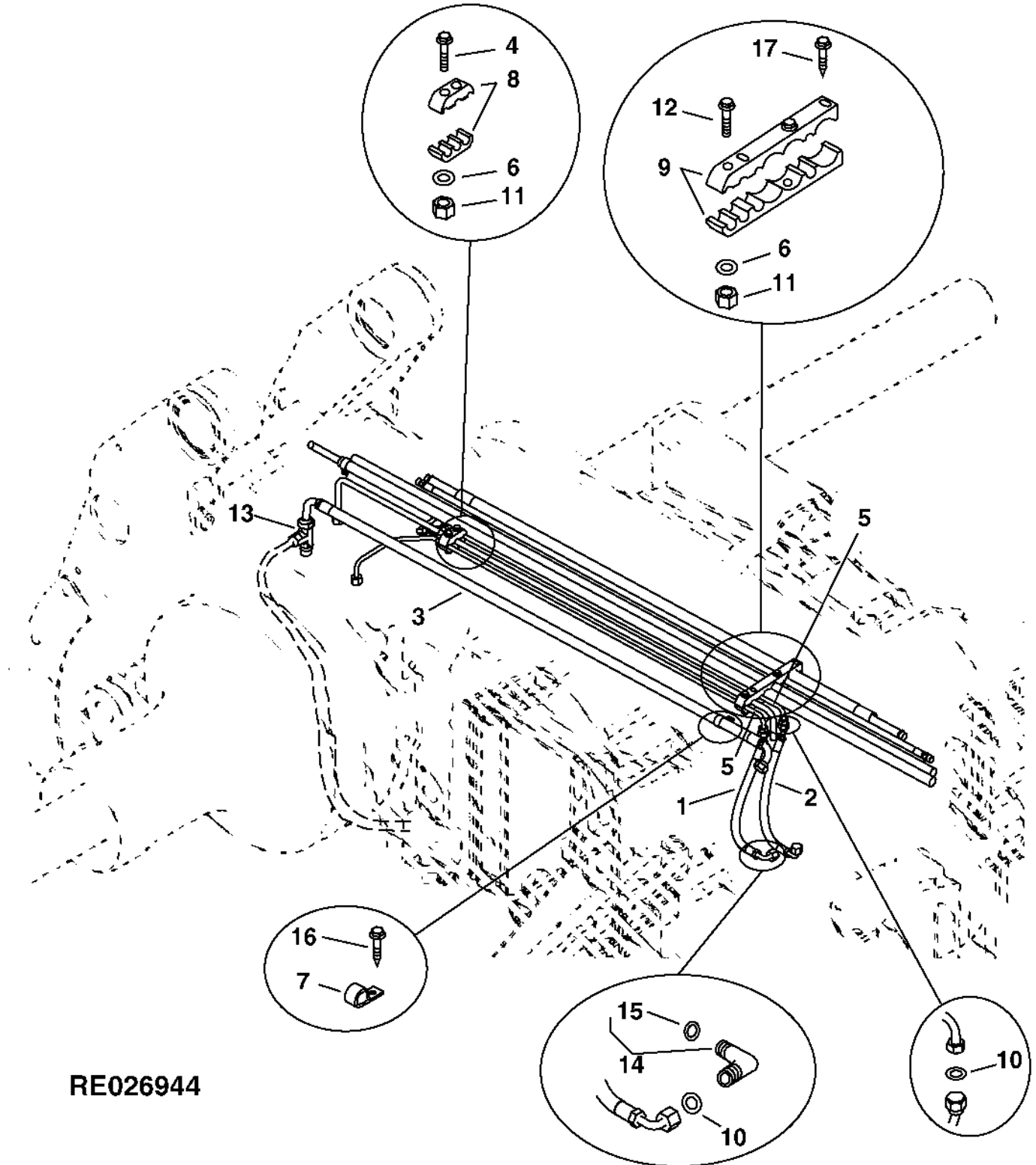
6F10

STEERING AND BRAKES

KEY	PART NO.	PART NAME	QTY	TRACTOR SERIAL NO.	A	REMARKS
					L	
1	RE66670	HYDRAULIC HOSE - FABRICATE	1		X	R.H.
2	RE67653	OIL LINE	2		X	
3	RE68018	HYDRAULIC HOSE - FABRICATE	1		X	L.H.
4	RE68257	CHECK VALVE	1		X	
5	RE68259	CAP	2		X	
6	RE68686	HYDRAULIC HOSE - FABRICATE	1		X	
7	24M7055	WASHER	4		X	8.400 X 16 X 1.600 MM
8	RE69074	OIL LINE	1		X	R.H.
	RE69075	OIL LINE	1		X	L.H.
9	38H5127	TEE FITTING	2		X	
10	R109479	CLAMP	1		X	
11	R131196	HALF CLAMP	1		X	
12	R131197	HALF CLAMP	2		X	
13	T77613	O-RING	4		X	
14	14M7273	NUT	4		X	M8
15	19M7801	SCREW	2		X	M8 X 60, HS 10.9
16	19M7868	SCREW	2		X	M8 X 30, HS 10.9
17	38H5170	TEE FITTING	1		X	
18	51M7041	O-RING	2		X	11.300 X 2.200 MM
19	38H5016	ELBOW FITTING	2		X	
20	37M7084	SCREW	1		X	M8 X 25
21	37M7108	SCREW	2		X	M8 X 60
..	R76477	TIE BAND	AR		X	

6F11

BRAKE OIL LINES (REAR) (W/O TRAILER BRAKE) (8100,8200,8300,8400 010000-)
CONDUITES D'HUILE DE FREIN (ARRIERE) (W/O FREIN DE REMARQUE HYDR.) (8100,8200,8300,8400 010000-)
BREMSOELLEITUNGEN (HINTEN) (W/O HYDR. ANHAENGERBREMSE) (8100,8200,8300,8400 010000-)
TUBAZIONI FRENO (POSTERIORE) (W/O FRENO IDRAUL. RIMORCHIO) (8100,8200,8300,8400 010000-)
TUBERIAS DE ACEITE DEL FRENO (TRASERO) (W/O FRENO HIDRAULREMOIQUE)(8100,8200,8300,8400 010000-)
BROMSOLJEDNINGAR (BAK,BAKRE) (W/O SL'PVAGNSBROMS) (8100,8200,8300,8400 010000-)
RE026944 -UN-18JUL96



RE026944

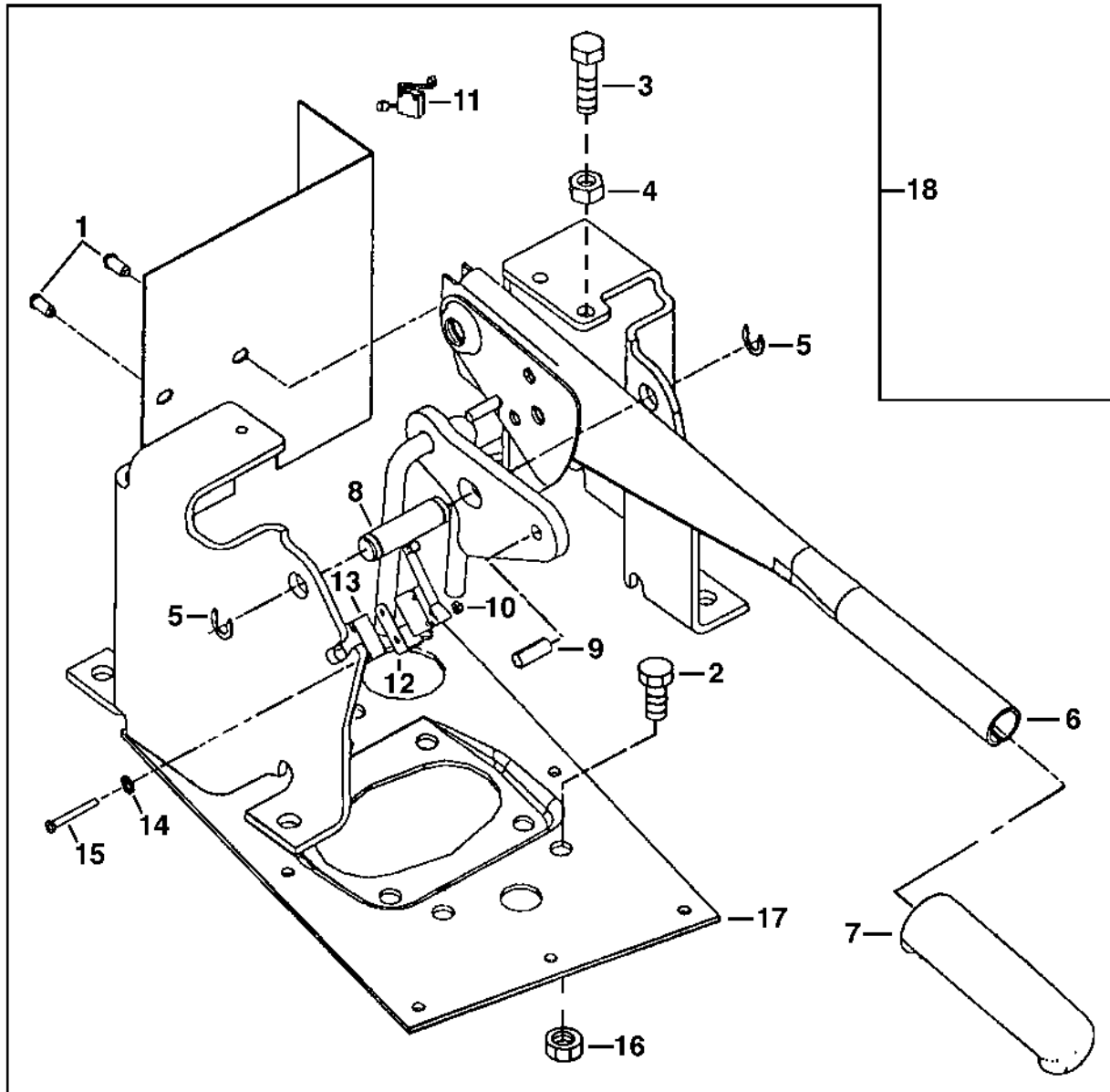
6F12

STEERING AND BRAKES

KEY	PART NO.	PART NAME	QTY	TRACTOR SERIAL NO.	A	REMARKS
					L	
1	RE66670	HYDRAULIC HOSE - FABRICATE	1		X	R.H.
2	RE68018	HYDRAULIC HOSE - FABRICATE	1		X	L.H.
3	RE68686	HYDRAULIC HOSE - FABRICATE	1		X	
4	19M7868	SCREW	2		X	M8 X 30, HS 10.9
5	RE69072	BRAKE LINE	1		X	R.H.
	RE69073	BRAKE LINE	1		X	L.H.
6	24M7055	WASHER	4		X	8.400 X 16 X 1.600 MM
7	R109479	CLAMP	1		X	
8	R131196	HALF CLAMP	1		X	
9	R131197	HALF CLAMP	2		X	
10	T77613	O-RING	4		X	
11	14M7273	NUT	4		X	M8
12	19M7801	SCREW	2		X	M8 X 60, HS 10.9
13	38H5170	TEE FITTING	1		X	
14	38H5016	ELBOW FITTING	2		X	
15	51M7041	O-RING	2		X	11.300 X 2.200 MM
16	37M7084	SCREW	1		X	M8 X 25
17	37M7108	SCREW	2		X	M8 X 60
..	R76477	TIE BAND	AR		X	

6F13

SECONDARY BRAKE LEVER (EUROPEAN VERSION)(8100 -002255;8200 -001938;8300 -003429;8400 -002236)
FREINS A AIR COMPRIE, LEVIER(VERSION EUROPEENNE)(8100 -02255;8200 -01938;8300 -03429;8400 -02236)
DRUCKLUFTBREMSE, HEBEL (EUROPAEISCHE AUSFUEHRUNG) (8100 -2255;8200 -1938;8300 -3429;8400 -2236)
FRENO AD ARIA COMPRESSA, LEVA (VERSIONE EUROPEA) (8100 -02255;8200 01938;8300 -03429;8400 -02236)
FRENO NEUMATICO, PALANCA (VERSION EUROPEA) (8100 -02255;8200 -01938;8300 -03429;8400 -02236)
TRYCKLUFTSBROMS, SPAK (EUROPEISK VERSION) (8100 -02255;8200 -01938;8300 -03429;8400 -02236)
RE027007 -UN-30MAY96



RE027007

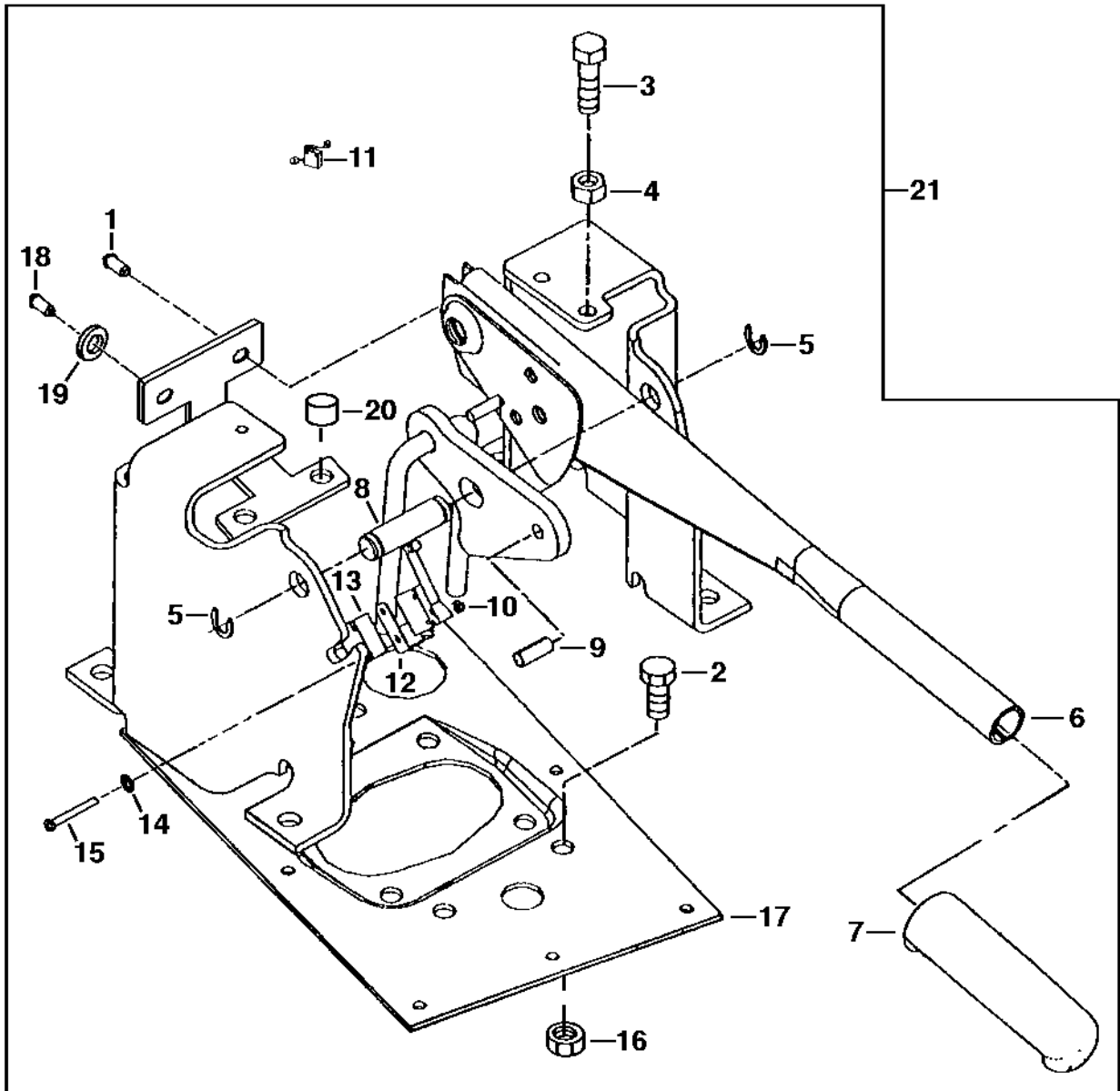
6F14

STEERING AND BRAKES

KEY	PART NO.	PART NAME	QTY	TRACTOR SERIAL NO.	A	REMARKS
					L	
1	37M7090	SCREW	2		X	M6 X 16
2	19M7166	CAP SCREW	4		X	M10 X 20
3	19M7550	CAP SCREW	1		X	M10 X 35, HS 10.9
4	14M7274	NUT	1		X	M10
5	40M7030	SNAP RING	2		X	
6	AL78581	HANDBRAKE LEVER	1		X	
7	R119972	GRIP	1		X	
8	R124282	PIN	1		X	
9	34M7061	SPRING PIN	1		X	8 X 20 MM
10	14M7354	LOCK NUT	2		X	M3
11	RE30714	SWITCH	1		X	
12	R93849	STRAP	1		X	
13	R126503	SPACER	1		X	(SUB FOR R125512)
14	12M7084	LOCK WASHER	2		X	4.300 MM
15	21M7357	SCREW	2		X	M3 X 30
16	14M7274	NUT	4		X	M10
17	R124344	SUPPORT	1		X	
18	RE62250	LEVER	1		X	(SUB RE63888)

6F15

SECONDARY BRAKE LEVER(E.V.)(8100 02256-09999;8200 01939-09999;8300 03430-09999;8400 02237-09999)
FREINS A AIR COMPRIME, LEVIER(V.E.)(8100 2256-9999;8200 1938-9999;8300 3430-9999;8400 2237-9999)
DRUCKLUFTBREMSE, HEBEL (E. A.) (8100 2256-9999; 8200 1938-9999; 8300 3430-9999; 8400 2237-9999)
FRENO AD ARIA COMPRESSA, LEVA (V. E.)(8100 2256-9999;8200 1938-9999;8300 3430-9999;8400 2237-9999)
FRENO NEUMATICO, PALANCA (V.E.)(8100 2256-9999;8200 1938-9999;8300 3430-9999;8400 2237-9999)
TRYCKLUFTSBROMS, SPAK (E.V.)(8100 2256-9999; 8200 1938-9999; 8300 3430-9999; 8400 2237-9999)
RE026579 -UN-21DEC95



RE026579

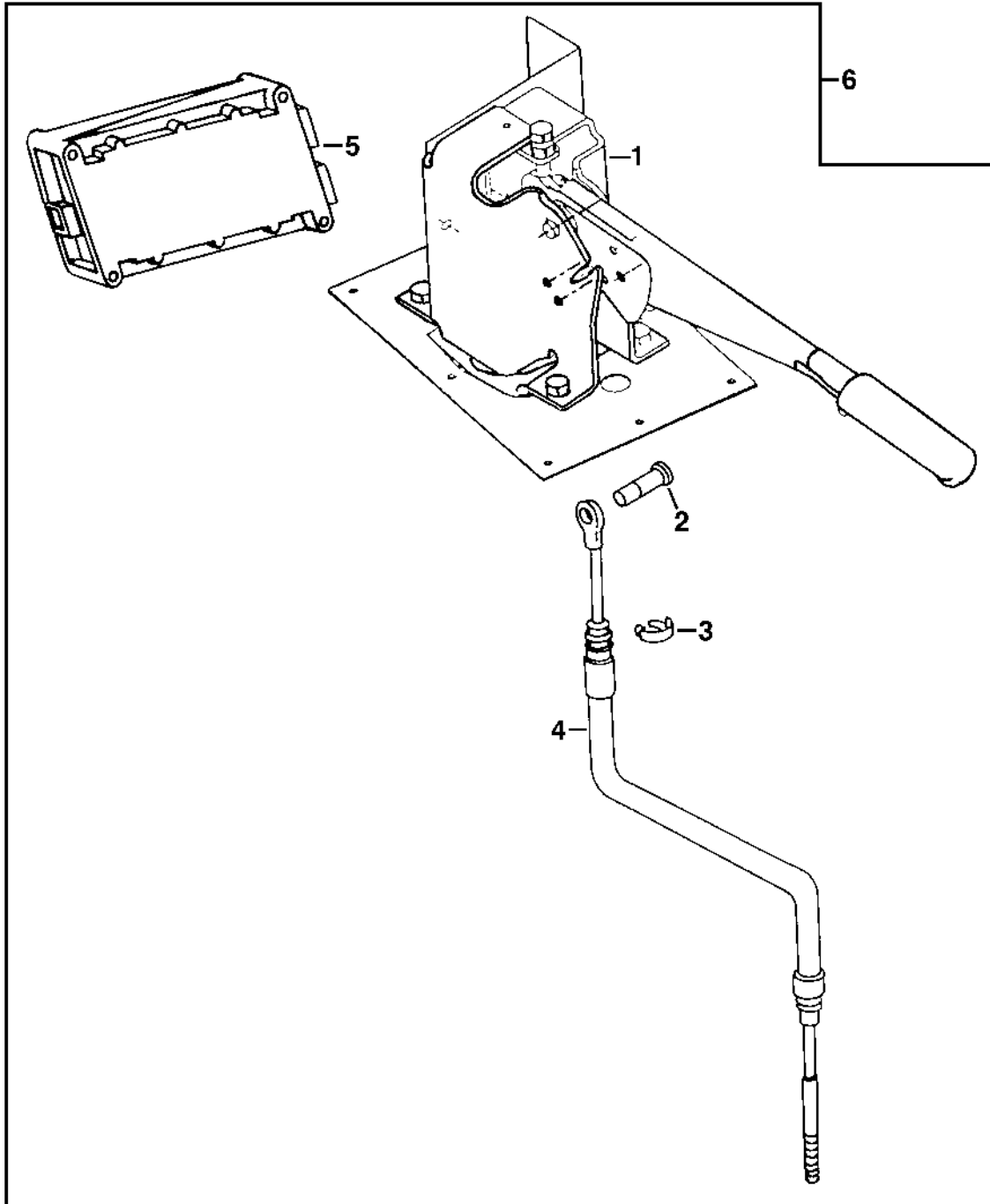
6F16

STEERING AND BRAKES

KEY	PART NO.	PART NAME	QTY	TRACTOR SERIAL NO.	A L L	REMARKS
1	37M7104	SCREW	1		X	M6 X 30
2	19M7166	CAP SCREW	4		X	M10 X 20
3	19M7550	CAP SCREW	1		X	M10 X 35, HS 10.9
4	14M7274	NUT	1		X	M10
5	40M7030	SNAP RING	2		X	
6	AL78581	HANDBRAKE LEVER	1		X	
7	R119972	GRIP	1		X	
8	R124282	PIN	1		X	
9	34M7061	SPRING PIN	1		X	8 X 20 MM
10	14M7354	LOCK NUT	2		X	M3
11	RE30714	SWITCH	1		X	
12	R93849	STRAP	1		X	
13	R126503	SPACER	1		X	
14	12M7084	LOCK WASHER	2		X	4.300 MM
15	21M7290	SCREW	2		X	M3 X 35
16	14M7274	NUT	4		X	M10
17	R124344	SUPPORT	1		X	
18	37M7090	SCREW	1		X	M6 X 16
19	24M7139	WASHER	4		X	6.400 X 18 X 1.600 MM
20	R41076	GROMMET	2		X	
21	RE63888	LEVER	1		X	

6F17

SECONDARY BRAKE KIT (EUROPEAN VERSION) (8100,8200,8300,8400 -009999)
KIT DE FREIN AUXILIAIRE (VERSION EUROPEENNE) (8100,8200,8300,8400 -009999)
HANDBREMSEN-TEILESATZ (EUROPAEISCHE AUSFUEHRUNG) (8100,8200,8300,8400 -009999)
KIT DEL FRENO SECONDARIO (VERSIONE EUROPEA) (8100,8200,8300,8400 -009999)
JUEGO DE FRENO AUXILIAR (VERSION EUROPEA) (8100,8200,8300,8400 -009999)
HANDBROMSSATS (EUROPEISK VERSION) (8100,8200,8300,8400 -009999)
RE027041 -UN-17JUN96



RE027041

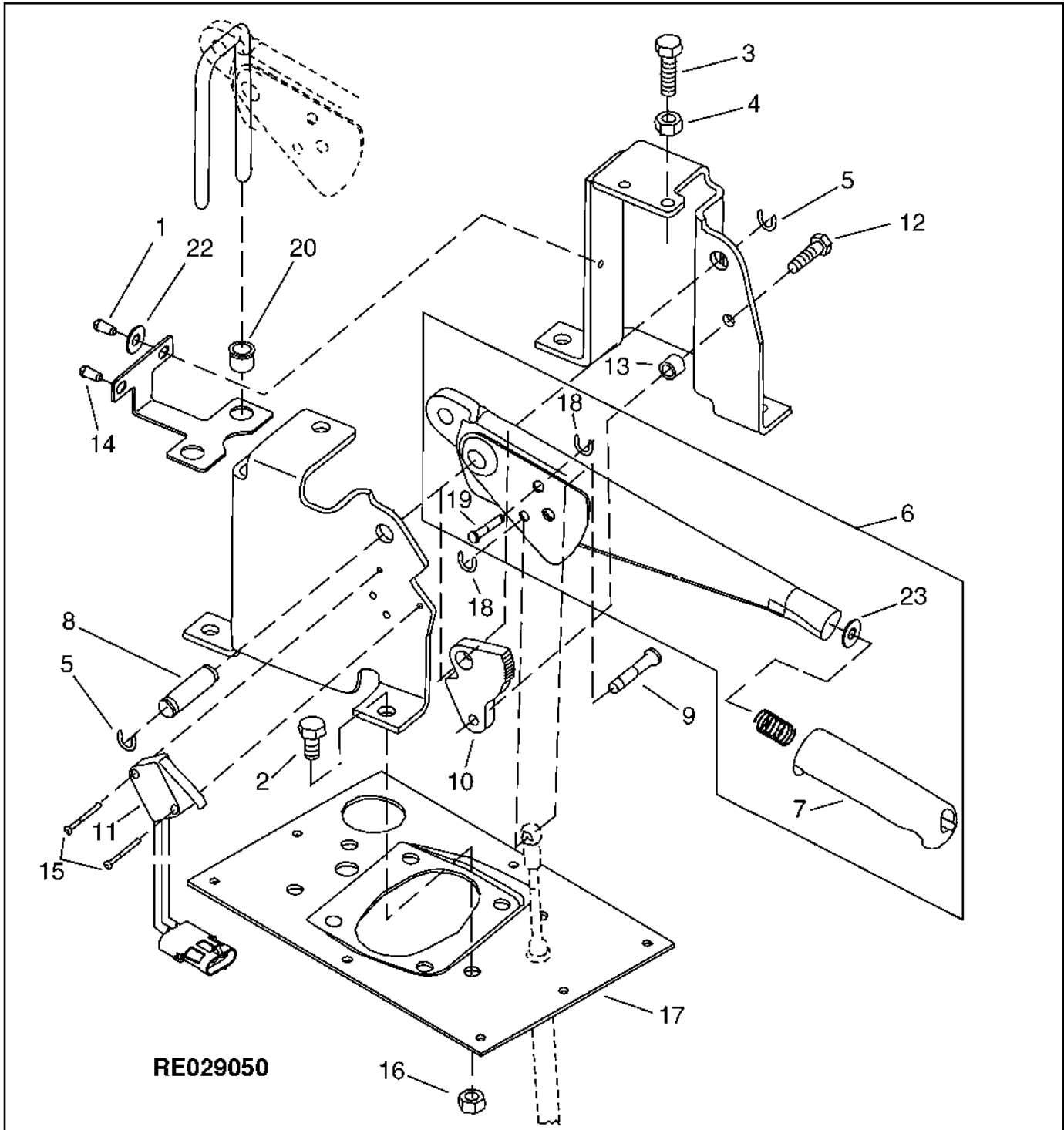
6F18

STEERING AND BRAKES

KEY	PART NO.	PART NAME	QTY	TRACTOR SERIAL NO.	A L L	REMARKS
1	RE68604	SUPPORT	1		X	
2	R135786	PIN	1		X	(SUB FOR R133546)
3	R112612	CLIP	2		X	
4	RE68777	PUSH PULL CABLE	1		X	
5	RE165401	VEHICLE CONTROLLER	1		X	40 K, (SUB FOR RE69214 OR RE152005)
	RE165402	VEHICLE CONTROLLER	1		X	30 K, (SUB FOR RE69215 OR RE152006)
6	RE69597	KIT	1		X	40 K

6F19

SECONDARY BRAKE LEVER (EUROPEAN VERSION) (8100,8200,8300,8400 010000-)
FREINS A AIR COMPRIME, LEVIER (VERSION EUROPEENNE) (8100,8200,8300,8400 010000-)
DRUCKLUFTBREMSE, HEBEL (EUROPAEISCHE AUSFUEHRUNG) (8100,8200,8300,8400 010000-)
FRENO AD ARIA COMPRESSA, LEVA (VERSIONE EUROPEA) (8100,8200,8300,8400 010000-)
FRENO NEUMATICO, PALANCA (VERSION EUROPEA) (8100,8200,8300,8400 010000-)
TRYCKLUFTSBROMS, SPAK (EUROPEISK VERSION) (8100,8200,8300,8400 010000-)
RE029050 -UN-25FEB98



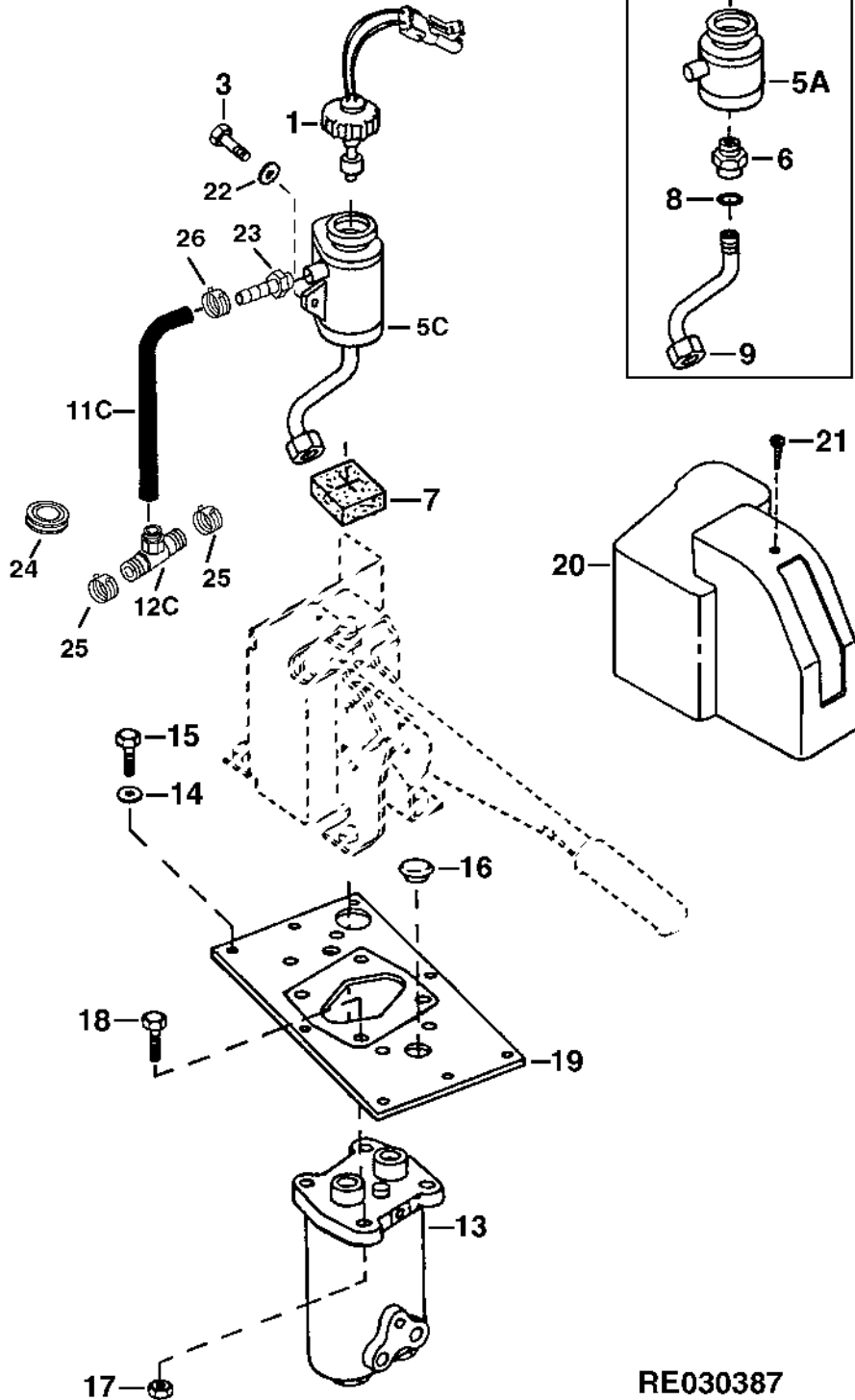
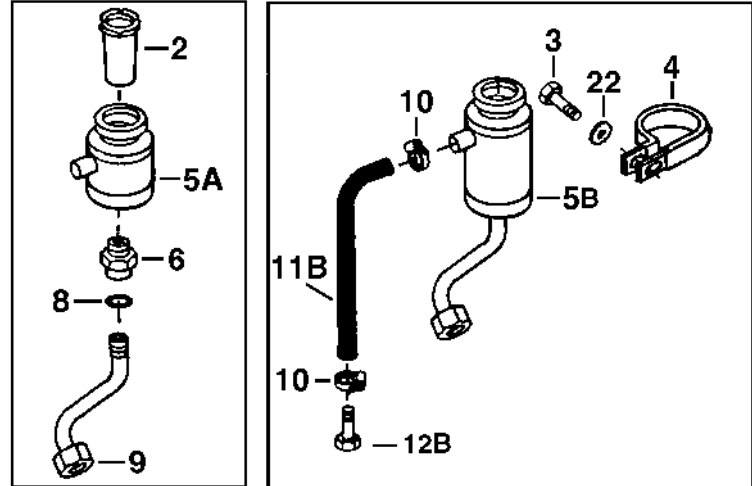
6F20

STEERING AND BRAKES

KEY	PART NO.	PART NAME	QTY	TRACTOR SERIAL NO.	A	REMARKS
					L	
1	37M7090	SCREW	1		X	M6 X 16
2	19M7166	CAP SCREW	4		X	M10 X 20
3	19M7550	CAP SCREW	1		X	M10 X 35, HS 10.9
4	14M7274	NUT	1		X	M10
5	40M7030	SNAP RING	2		X	
6	RE68586	HANDBRAKE LEVER	1		X	
7	R133517	GRIP	1		X	
8	R124282	PIN	1		X	
9	R135786	PIN	1		X	(SUB FOR R133546)
10	R133497	SECTOR	1		X	
11	RE48234	SWITCH	1		X	
12	19M7407	CAP SCREW	1		X	M8 X 25, HS 10.9
13	28H3405	BUSHING	1		X	0.364" X 0.540" X 7/16"
14	37M7104	SCREW	1		X	M6 X 30
15	21M7216	SCREW	2		X	M4 X 20
16	14M7274	NUT	4		X	M10
17	R133544	SUPPORT	1		X	
18	40M7040	SNAP RING	2		X	
19	L79404	PIN	1		X	
20	R41076	GROMMET	2		X	
21	RE68604	SUPPORT	1		X	
22	24M7139	WASHER	1		X	6.400 X 18 X 1.600 MM
23	24M7238	WASHER	1		X	8.700 X 17 X 2 MM

6F21

SECONDARY BRAKE RESERVOIR (EUROPEAN VERSION)
FREIN SECONDAIRE, CLAPET (VERSION EUROPEENNE)
NOTBREMSVENTIL (EUROPAEISCHE AUSFUEHRUNG)
VALVOLA DEL FRENO SECONDARIO (VERSIONE EUROPEA)
VALVULA DEL FRENO AUXILIAR (VERSION EUROPEA)
HANDBROMSVENTIL (EUROPEISK VERSION)
RE030387 -UN-22APR99



RE030387

6F22

STEERING AND BRAKES

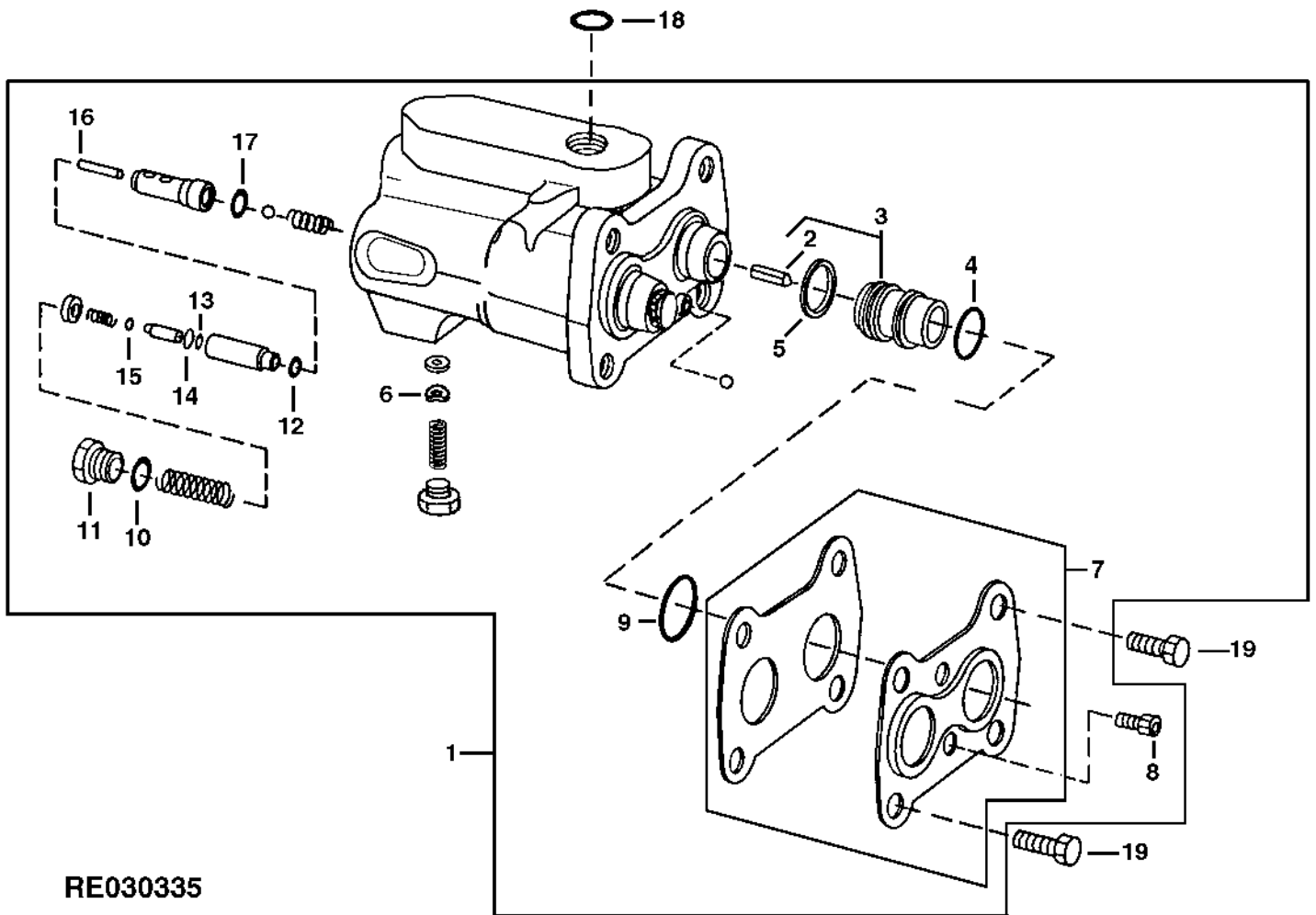
KEY	PART NO.	PART NAME	QTY	TRACTOR SERIAL NO.	A		REMARKS
					L	L	
1	RE63427	FILLER CAP	1	-XXXXXX	X	(A)	(SUB FOR RE60446) (SUB RE63981)
	RE63981	FILLER CAP	1	XXXXXX-	X	(B)	
2	L40799	STRAINER	1	-XXXXXX	X	(A)	
3	37M7090	SCREW	2		X		M6 X 16
4	F1451R	CLAMP	1	-026820	X		
5A	RE56629	RESERVOIR	1	-XXXXXX	X	(A)	(SUB RE155637)
5B	RE64161	RESERVOIR	1	XXXXXX-026820	X	(B)	(SUB RE155637)
5C	RE155637	RESERVOIR	1	026821-	X		
6	38H5004	ADAPTER	1	-XXXXXX	X	(A)	
	51M7045	O-RING	1	-XXXXXX	X	(A)	19.300 X 2.200 MM
7	R125547	SEAL	1	-026820	X		(SUB R157334)
	R157334	SEAL	1	026821-	X		
8	B2762R	O-RING	1	-026820	X		
9	RE61689	OIL LINE	1	-XXXXXX	X	(A)	(SUB RE64161)
	T77932	O-RING	1	-XXXXXX	X	(A)	
10	TY22462	CLAMP	2	-026820	X		
11B	R122493	HOSE	1	-026820	X		
11C	R163173	HOSE	1	026821-	X		
12B	19M7382	CAP SCREW	1	-026820	X		M10 X 40
12C	M87795	TEE FITTING	1	026821-	X		
13	RE60468	VALVE	1		X		
14	24M7040	WASHER	4		X		11 X 20 X 2 MM
15	19M7167	CAP SCREW	4		X		M10 X 25
16	R117237	PLUG	1	-009999	X		
	B2982R	PLUG	1	010000-	X		
17	14M7274	NUT	4		X		M10
18	19M7166	CAP SCREW	4		X		M10 X 20
19	R124344	SUPPORT	1	-009999	X		
	R133544	SUPPORT	1	010000-	X		
20	R124338	COVER	1	-XXXXXX	X	(C)	(SUB R128164)
	R128164	COVER	1	XXXXXX-026820	X	(D)	
	R154539	COVER	1	026821-	X		
21	37M7090	SCREW	1	-XXXXXX	X	(C)	M6 X 16, (USE WITH R124338)
	37M7257	SCREW	1	XXXXXX-	X	(D)	M8 X 16, (USE WITH R128164 OR R154539)
22	24M7139	WASHER	1		X		6.400 X 18 X 1.600 MM
23	R65785	FITTING	1	026821-	X		
24	R165034	GROMMET	1	026821-	X		
25	R56101	CLIP	2	026821-	X		
26	TY22464	CLAMP	1	026821-	X		
..	R44302	TIE BAND	1		X		
..	SEAL	1		X		800 MM (31.5") (MAKE FROM R83066)

- (A) (-XXXXXX) 8100-002003; 8200-001785; 8300-003183; 8400-001883
 (B) (XXXXXX-) 8100-002004; 8200-001786; 8300-003184; 8400-001884
 (C) (-XXXXXX) 8100-002255; 8200-001938; 8300-003429; 8400-002236
 (D) (XXXXXX-) 8100-002256; 8200-001939; 8300-003430; 8400-002237

6F23

STEERING AND BRAKES

SECONDARY BRAKE VALVE (EUROPEAN VERSION) (TSN -025704)
FREIN SECONDAIRE, CLAPET (VERSION EUROPEENNE) (TSN -025704)
NOTBREMSVENTIL (EUROPAEISCHE AUSFUEHRUNG) (TSN -025704)
VALVOLA DEL FRENO SECONDARIO (VERSIONE EUROPEA) (TSN -025704)
VALVULA DEL FRENO AUXILIAR (VERSION EUROPEA) (TSN -025704)
HANDBROMSVENTIL (EUROPEISK VERSION) (TSN -025704)
RE030335 -UN-16FEB99



RE030335

6F24

STEERING AND BRAKES

KEY	PART NO.	PART NAME	QTY	TRACTOR SERIAL NO.	A L L	REMARKS
1	RE60468	VALVE	1		X	
2	34M7102	SPRING PIN	2		X	5 X 26 MM
3	RE60880	PISTON	2		X	
4	R124463	SEAL	2		X	
5	R124462	O-RING	2		X	
6	R127771	SPRING	1		X	
7	RE60531	KIT	1		X	
8	19M8493	SCREW	4		X	M8 X 12, HS 10.9
9	R108041	SEAL	2		X	
10	U17409	O-RING	2		X	
11	R108062	PLUG	2		X	
12	R10093	O-RING	2		X	
13	R108067	SEAL	2		X	
14	R108042	BACK-UP RING	2		X	
15	A4365R	O-RING	2		X	
16	R60755	NEEDLE ROLLER	2		X	
17	T77932	O-RING	2		X	
18	T57246	O-RING	1		X	
19	19M7166	CAP SCREW	4		X	
20	T57246	O-RING	1		X	
..	RE60529	KIT	1	-009999	X	(A)
..	RE68237	KIT	1	010000-	X	(A)
..	RE60708	KIT	1		X	(B)

(A) OVERHAUL

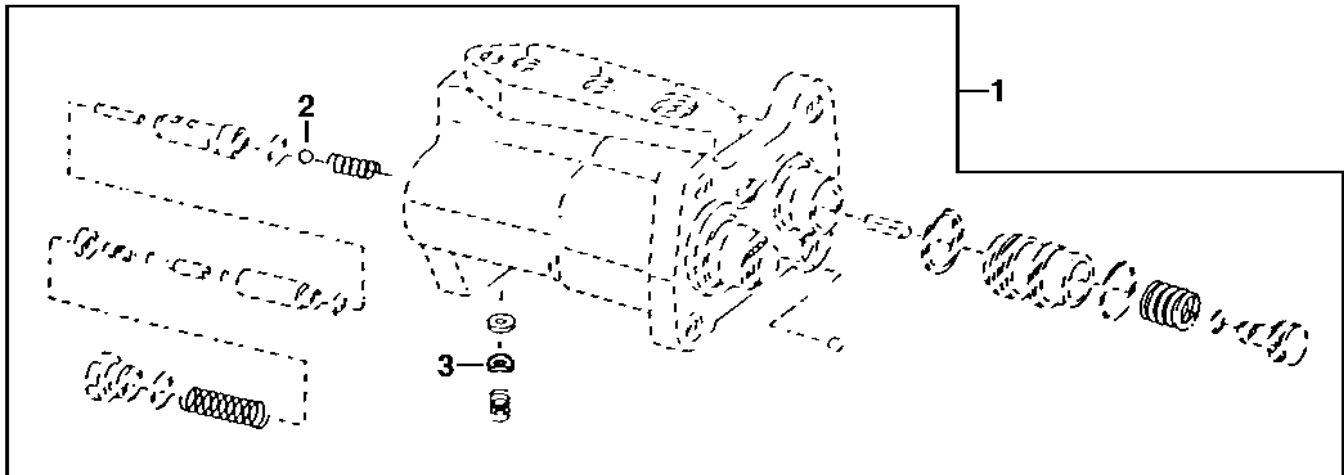
JEU DE REMISE EN ETAT
 UEBERHOLUNGSSATZ
 KIT DI REVISIONE
 CONJUNTO PARA REACONDICIONAMIENTO
 OEVERSYNSSATS

(B) MAKE-UP CHECK VALVE

JEU DE CLAPET ANTI-RETOUR D'APPOINT
 ZUSATZ-RUECKSCHLAGVENTIL
 KIT DELLA VALVOLA DI NON RITORNO DI
 CONJUNTO DE VALVULA DE RETENCION DE
 SATS MED TILLSATSBACKVENTIL

6F25

SECONDARY BRAKE VALVE HARDWARE KIT (EUROPEAN VERSION)
 JEU DE BOULONNERIE DE SOUPE DE FREIN SECONDAIRE (VERSION EUROPEENNE)
 HANDBREMSVENTIL-BEFESTIGUNGSTEILSATZ (EUROPÄISCHE AUSFÜHRUNG)
 KIT DI MINUTERIA DELLA VALVOLA DEL FRENO SECONDARIO (VERSIONE EUROPEA)
 JUEGO DE TORNILLERIA DE VALVULA DE FRENO SECUNDARIO (VERSION EUROPEA)
 FAESTELEMENTSATS FOER HANDBROMSVENTIL (EUROPEISK VERSION)
 RE026612 -UN-07DEC95

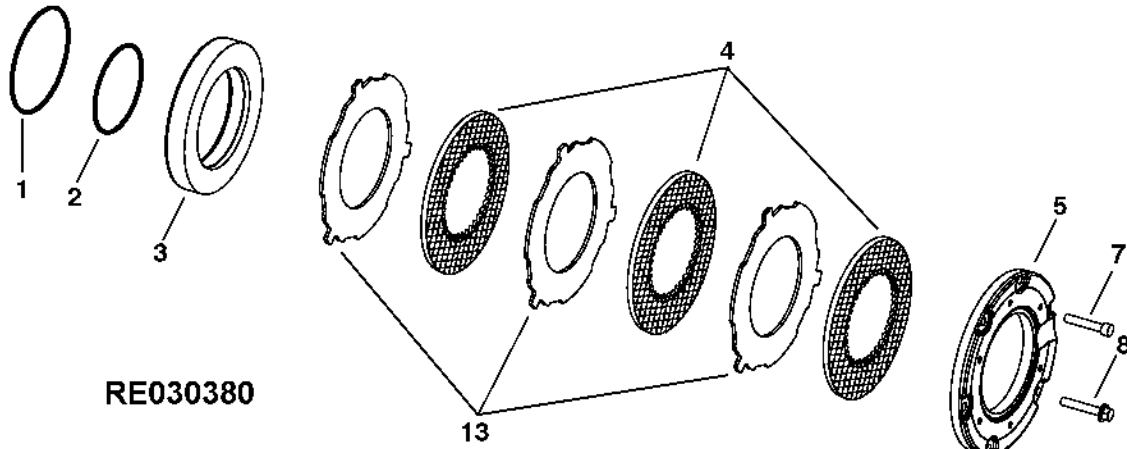


RE026612

KEY	PART NO.	PART NAME	QTY	TRACTOR SERIAL NO.	A	REMARKS
					L	
1	RE66141	VALVE	1		X	(SUB FOR RE60882)
2	R26552	BALL	2		X	
3	R127771	SPRING	2		X	

6G1

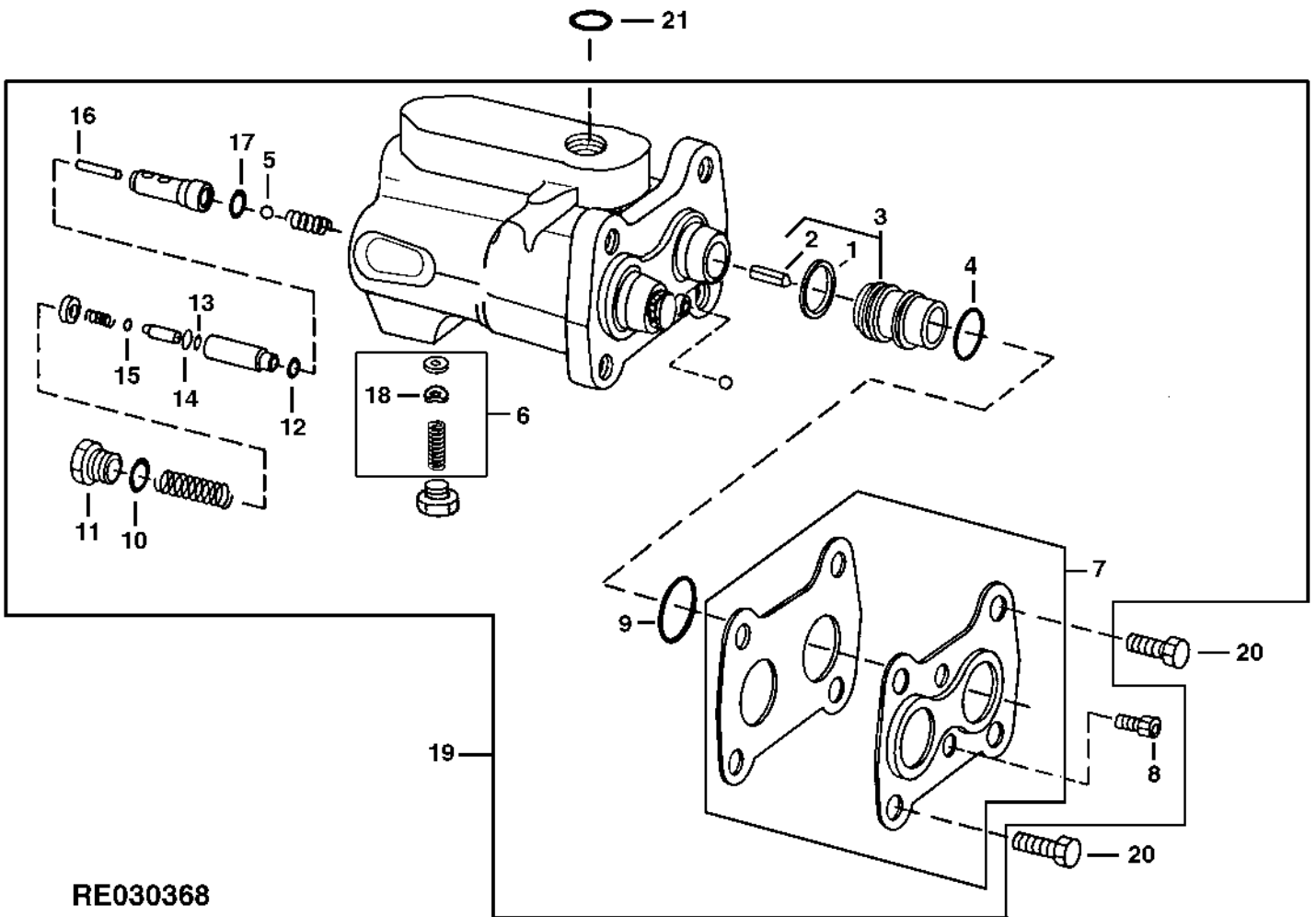
SECONDARY BRAKE (EUROPEAN VERSION) ASN(800001-))
 FREIN SECONDAIRE (VERSION EUROPEENNE) ASN(800001-))
 ZWEITBREMSE (EUROPAEISCHE AUSFUEHRUNG) ASN(800001-))
 FRENO SECONDARIO (VERSIONE EUROPEA) ASA(800001-))
 FRENO SECUNDARIO (VERSION EUROPEA) ASA(800001-))
 PARKERINGSBROMS (EUROPEISK VERSION) ASN(800001-))
 RE030380 -UN-22MAR99



KEY	PART NO.	PART NAME	QTY	AXLE SERIAL NO.	A		REMARKS
					L	L	
1	R158630	SEAL	1		X		
2	R158631	SEAL	1		X		
3	R150222	PISTON	1		X		
4	RE159560	DISK, WITH INNER SPLINE	3		X		
5	R136355	BRAKE DISK	1		X		
6	R150350	BRAKE DISK	3		X		

6G2

SECONDARY BRAKE VALVE (EUROPEAN VERSION) (TSN 025705-))
FREIN SECONDAIRE, CLAPET (VERSION EUROPEENNE) (TSN 025705-))
NOTBREMSVENTIL (EUROPAEISCHE AUSFUEHRUNG) (TSN 025705-))
VALVOLA DEL FRENO SECONDARIO (VERSIONE EUROPEA) (TSN 025705-))
VALVULA DEL FRENO AUXILIAR (VERSION EUROPEA) (TSN 025705-))
HANDBROMSVENTIL (EUROPEISK VERSION) (TSN 025705-))
RE030368 -UN-16FEB99



RE030368

6G3

STEERING AND BRAKES

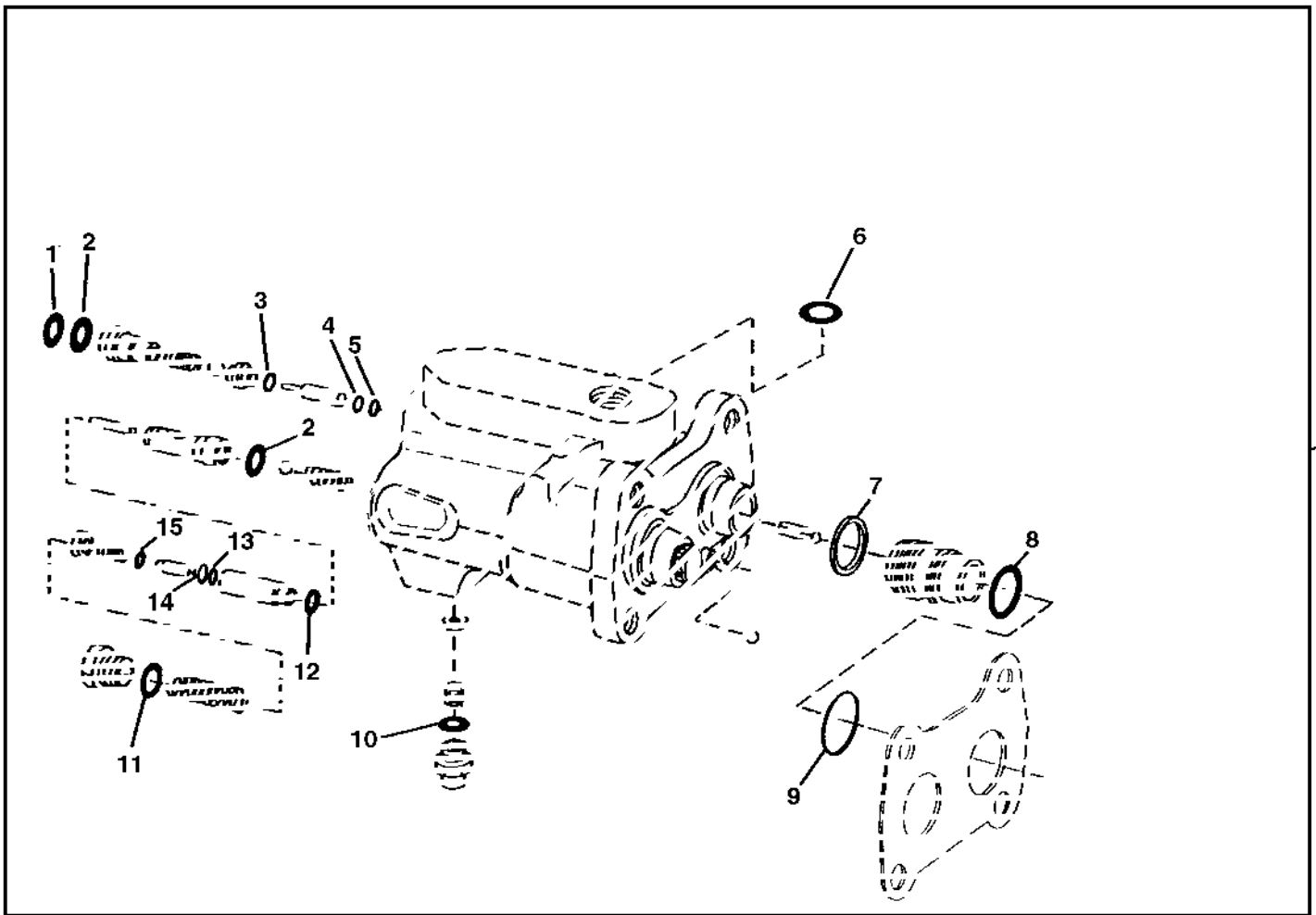
KEY	PART NO.	PART NAME	QTY	TRACTOR SERIAL NO.	A L L	REMARKS
1	R124462	O-RING	2		X	
2	25M7039	GROOVE PIN	1		X	5 X 24 MM
3	RE159108	PISTON	2		X	
4	R124463	SEAL	2		X	
5	R26552	BALL	2		X	
6	RE69092	KIT	1		X	(A)
7	RE60531	KIT	1		X	
8	19M8493	SCREW	4		X	M8 X 12, HS 10.9
9	R108041	SEAL	2		X	
10	U17409	O-RING	2		X	
11	R108062	PLUG	2		X	
12	R10093	O-RING	2		X	
13	R108067	SEAL	2		X	
14	R108042	BACK-UP RING	2		X	
15	A4365R	O-RING	2		X	
16	R60755	NEEDLE ROLLER	2		X	
17	T77932	O-RING	2		X	
18	R127771	SPRING	2		X	
19	RE154766	VALVE	1		X	
20	19M7166	CAP SCREW	4		X	M10 X 20
21	B2762R	O-RING	1		X	

(A) PREFILL PISTON KIT

JEU DE PISTON DE PRE-REEMPLISSAGE DES FREIN
 BREMS-VORFUELLKOLBENSATZ
 KIT DEL PISTONE DI PRERIEMPIMENTO DEI FRENI
 CONJUNTO DE PISTON DE PRELLENADO DEL FRENO
 KOLVSATS FOER FOERFYLLNING AV BROMSSYSTEM

6G4

BRAKE VALVE OVERHAUL KIT (SECONDARY BRAKE) (TSN 025705-)
JEU DE PIECES DE REMPLACEMENT DE SOUPEPE DE FREIN (FREIN SCONDAIRE) (TSN 025705-)
BREMSVENTILUEBERHOLSATZ (ZWEITBREMSE) (TSN 025705-)
KIT SOSTITUZIONE VALVOLA FRENO (FRENO SECONDARIO) (TSN 025705-)
JUEGO DE REVISION DEL FRENO DE VALVULA (FRENO SECUNDARIO) (TSN 025705-)
RENOVERINGSSATS FOER BROMSVENTIL (PARKERINGSBROMS) (TSN 025705-)
RE030369 -UN-16FEB99



RE030369

6G5

STEERING AND BRAKES

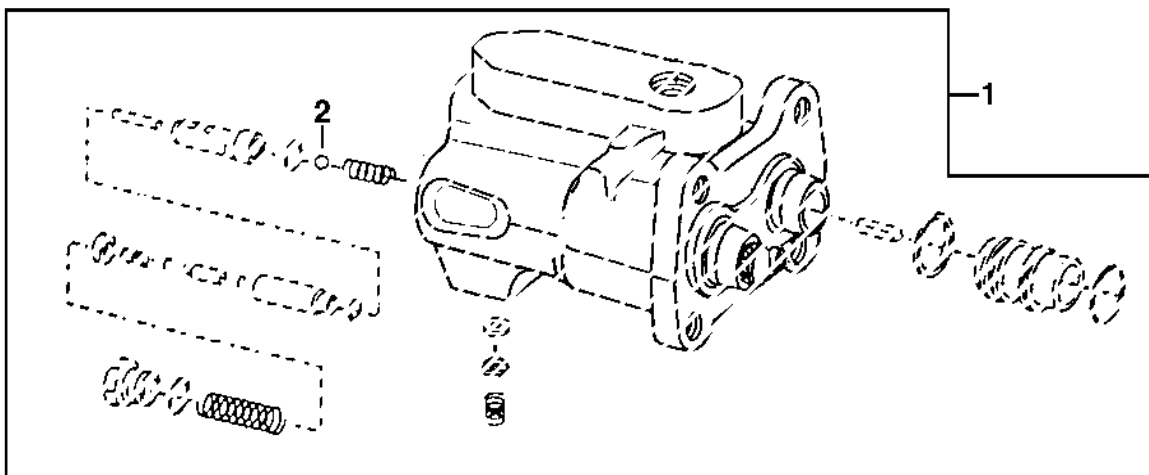
KEY	PART NO.	PART NAME	QTY	TRACTOR SERIAL NO.	A L L	REMARKS
1	R113054	BACK-UP RING	1		X	
2	T77932	O-RING	3		X	
3	R113057	PACKING	2		X	
4	T42571	BACK-UP RING	2		X	
5	R108066	O-RING	2		X	
6	B2762R	O-RING	1		X	
7	R124462	O-RING	2		X	
8	R124463	SEAL	2		X	
9	R108041	SEAL	2		X	
10	51M7041	O-RING	3		X	11.300 X 2.200 MM
11	U17409	O-RING	2		X	
12	R10093	O-RING	2		X	
13	R28776	O-RING	1		X	
14	R108042	BACK-UP RING	2		X	
15	A4365R	O-RING	2		X	
16	RE157111	KIT	1		X	

MEMORANDA
MEMORANDA
MEMORANDA
MEMORANDA
MEMORANDA

6G6

STEERING AND BRAKES

SECONDARY BRAKE VALVE HARDWARE KIT (EUROPEAN VERSION) (TSN 025705-))
 JEU DE BOULONNERIE DE SOUPEPE DE FREIN SECONDAIRE (VERSION EUROPEENNE) (TSN 025705-))
 HANDBREMSVENTIL-BEFESTIGUNGSTEILSATZ (EUROPAEISCHE AUSFUEHRUNG) (TSN 025705-))
 KIT DI MINUTERIA DELLA VALVOLA DEL FRENO SECONDARIO (VERSIONE EUROPEA) (TSN 025705-))
 JUEGO DE TORNILLERIA DE VALVULA DE FRENO SECUNDARIO (VERSION EUROPEA) (TSN 025705-))
 FAESTELEMENTSATS FOER HANDBROMSVENTIL (EUROPEISK VERSION) (TSN 025705-))
 RE030370 -UN-16FEB99

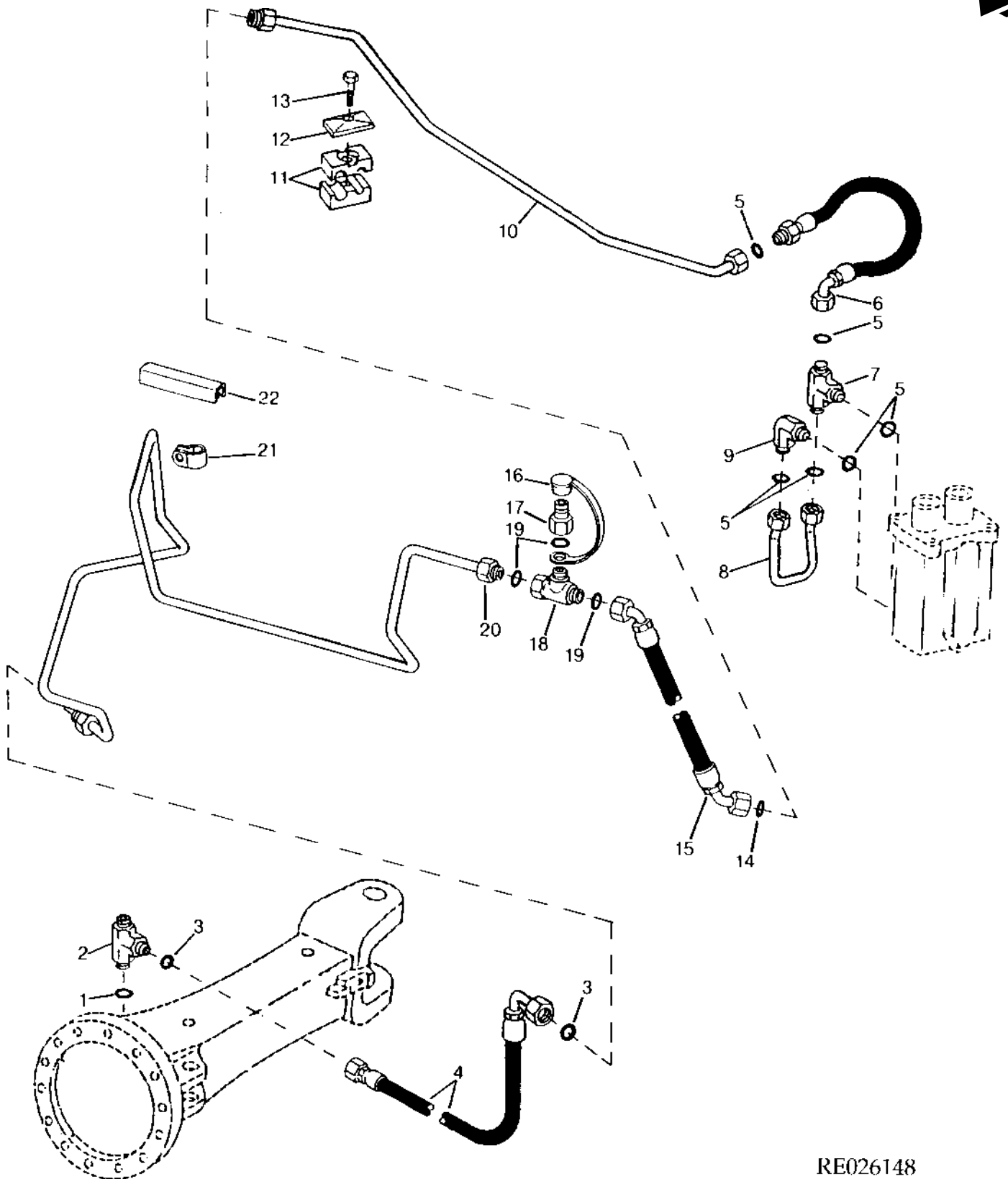


RE030370

KEY	PART NO.	PART NAME	QTY	TRACTOR SERIAL NO.	REMARKS	
					A	L
1	RE67963	KIT	1		X	
2	R26552	BALL	2		X	

6G7

SECONDARY BRAKE LINES (EUROPEAN VERSION) (8100 -004722;8200 -003490;8300 -005814;8400 -006583)
FREIN SECONDAIRE, CONDUITES (VERSION EUROPEENNE)(8100 -4722;8200 -3490;8300 -5814;8400 -6583)
NOTBREMSLEITUNGEN (EUROPAISCHE AUSFUEHRUNG)(8100 -04722;8200 -03490;8300 -05814;8400 -06583)
CONDOTTI DEL FRENO SECONDARIO(VERSION EUROPEA)(8100 -4722;8200 -3490;8300 -5814;8400 -6583)
LINEAS DEL FRENO AUXILIAR (VERSION EUROPEA) (8100 -04722;8200 -03490;8300 -05814;8400 -06583)
HANDBROMSLEDNINGAR (EUROPEISK VERSION) (8100 -04722; 8200 -03490; 8300 -05814; 8400 -06583)
RE026148 -UN-22MAR95



RE026148

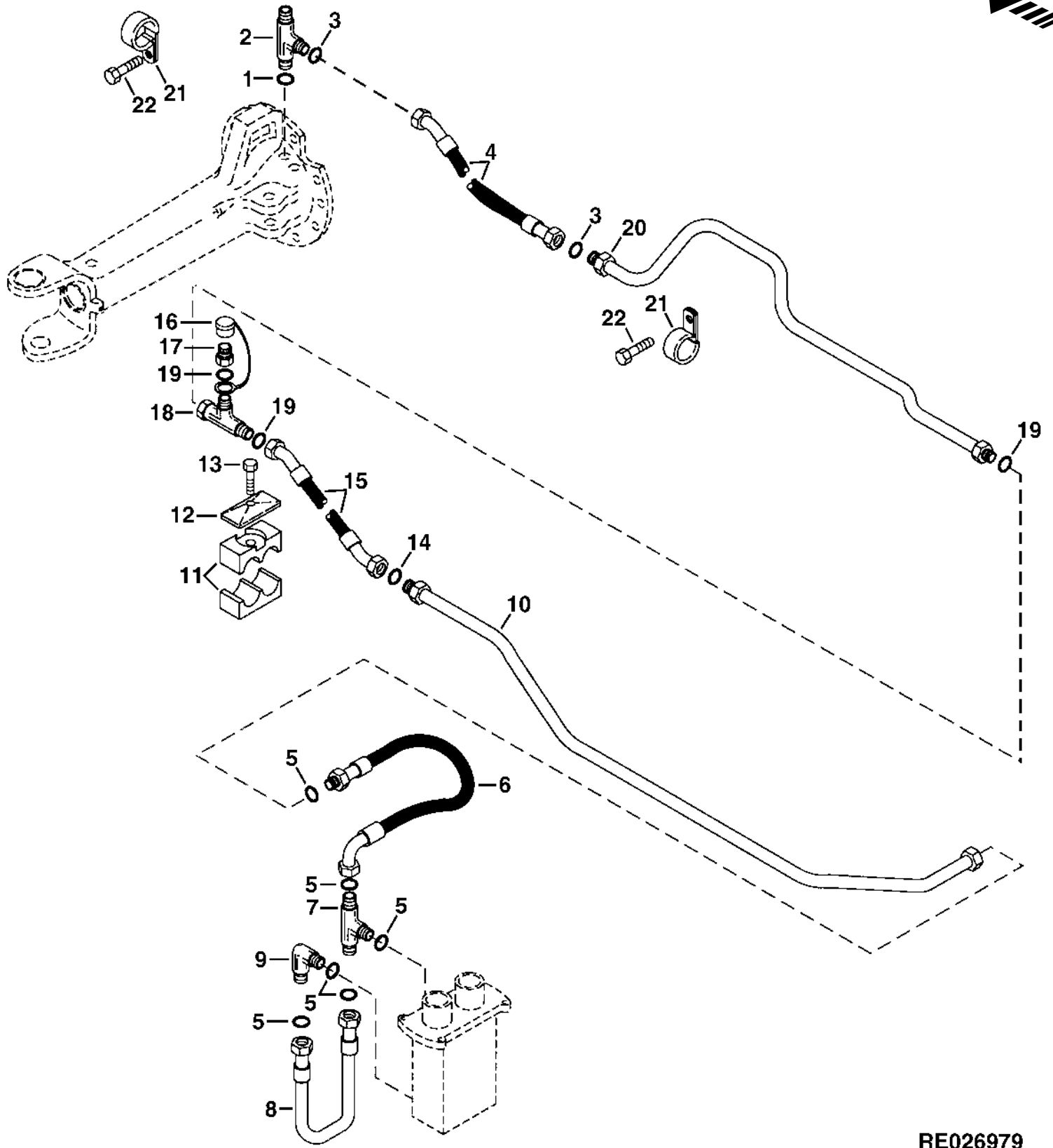
6G8

STEERING AND BRAKES

KEY	PART NO.	PART NAME	QTY	TRACTOR SERIAL NO.	A L L	REMARKS
1	R26448	O-RING	1		X	
2	38H1023	TEE FITTING	1		X	
3	T77613	O-RING	2		X	
4	RE60674	HYDRAULIC HOSE	1		X	
5	T77613	O-RING	6		X	
6	RE48579	HYDRAULIC HOSE	1		X	
7	38H5123	TEE FITTING	1		X	
8	RE48610	OIL LINE	1		X	
9	38H5016	ELBOW FITTING	1		X	
10	RE62678	OIL LINE	1		X	(SUB FOR RE48609)
11	H114865	CLAMP	4		X	
12	H112567	PLATE	1		X	
13	37M7108	SCREW	2		X	M8 X 60
14	T77613	O-RING	1		X	
15	RE60848	HYDRAULIC HOSE	1		X	
16	R77175	COVER	1		X	
17	RE43774	FITTING	1		X	
18	38H5069	TEE FITTING	1		X	
19	T77857	O-RING	3		X	
20	RE62626	OIL LINE	1		X	(SUB FOR RE61623) (SUB RE66231, RE66235, RE66236, T13814, H121168, (2) H125156 AND 19M8318)
21	T13814	CLAMP	2		X	
22	RE54810	ISOLATOR	1		X	

6G9

SECONDARY BRAKE LINES (E.V.)(8100 04723-09999;8200 03491-09999;8300 05815-09999;8400 06584-09999)
FREIN SECONDAIRE, CONDUITES (V. E.) (8100 4723-9999;8200 3491-9999;8300 5815-9999;8400 6584-9999)
NOTBREMSLEITUNGEN (E. A.) (8100 04723-09999;8200 03491-09999;8300 -05815-09999; 8400 06584-09999)
CONDOTTI DEL FRENO SECONDARIO (V. E.)(8100 4723-9999;8200 3491-9999;8300 5815-9999;8400 6584-9999)
LINEAS DEL FRENO AUXILIAR (V. E.) (8100 4723-9999;8200 3491-9999;8300 5815-9999;8400 6584-9999)
HANDBROMSLEDNINGAR (E. V.) (8100 04723-09999;8200 03491-09999;8300 -05815-09999; 8400 06584-09999)
RE026979 -UN-31JUL96



RE026979

6G10

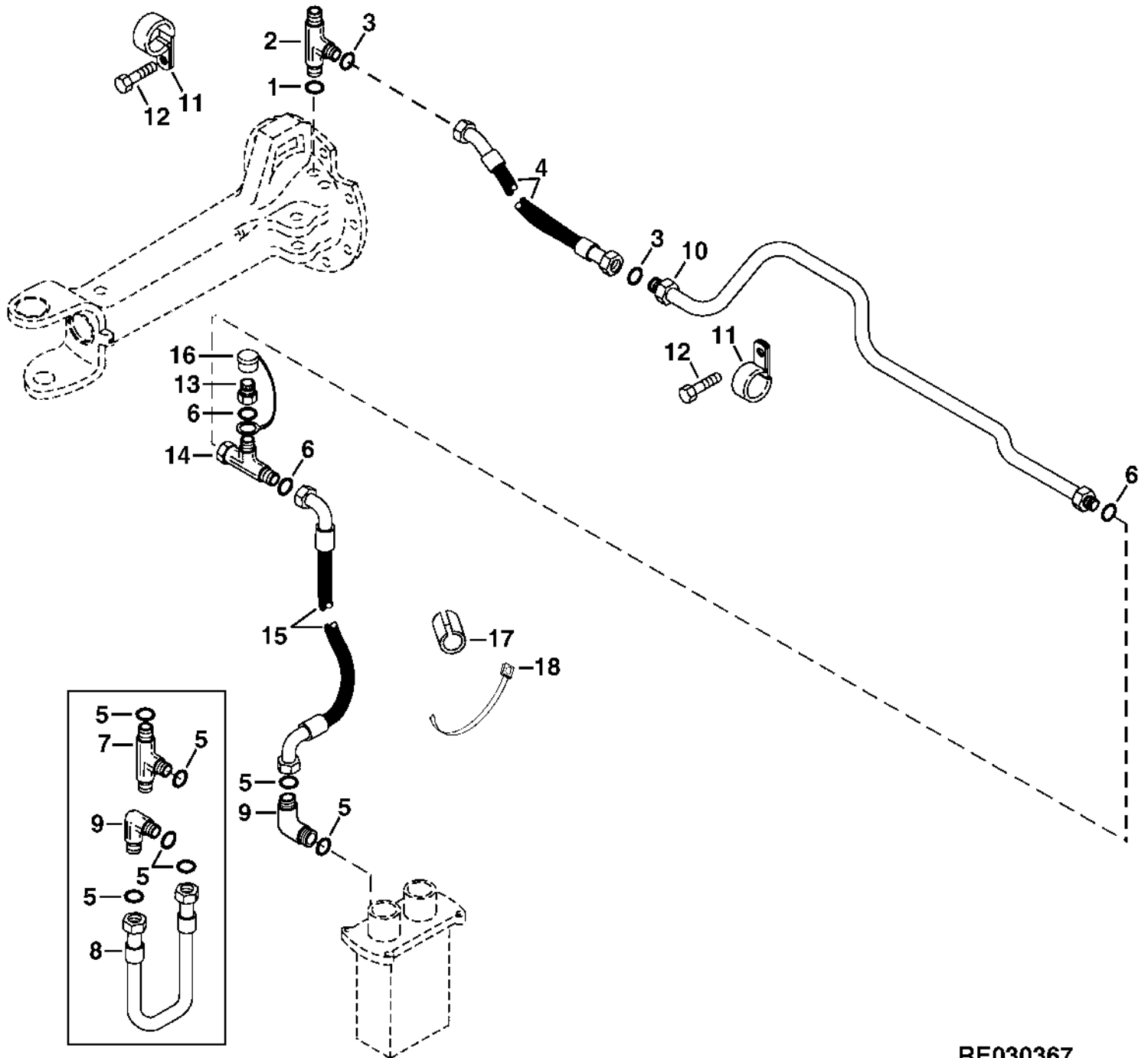
STEERING AND BRAKES

KEY	PART NO.	PART NAME	QTY	TRACTOR SERIAL NO.	A L L	REMARKS
1	R26448	O-RING	1		X	
2	38H1023	TEE FITTING	1		X	
3	T77613	O-RING	2		X	
4	RE68298	HYDRAULIC HOSE	1		X	
5	T77613	O-RING	6		X	
6	RE48579	HYDRAULIC HOSE	1		X	
7	38H5123	TEE FITTING	1		X	
8	RE48610	OIL LINE	1		X	
9	38H5016	ELBOW FITTING	1		X	
10	RE62678	OIL LINE	1		X	
11	H114865	CLAMP	4		X	
12	H112567	PLATE	1		X	
13	37M7108	SCREW	2		X	M8 X 60
14	T77613	O-RING	1		X	
15	RE60868	CYLINDER	1		X	
16	R77175	COVER	1		X	
17	RE43774	FITTING	1		X	
18	38H5069	TEE FITTING	1		X	
19	T77857	O-RING	3		X	
20	RE66231	OIL LINE	1		X	
21	T13814	CLAMP	3		X	
22	19M8318	SCREW	3		X	M8 X 45, HS 10.9

6G11

STEERING AND BRAKES

SECONDARY BRAKE LINES (EUROPEAN VERSION) (8100,8200,8300,8400 010000-))
FREIN SECONDAIRE, CONDUITES (VERSION EUROPEENNE) (8100,8200,8300,8400 010000-))
NOTBREMSLEITUNGEN (EUROPAEISCHE AUSFUEHRUNG) (8100,8200,8300,8400 010000-))
CONDOTTI DEL FRENO SECONDARIO (VERSIONE EUROPEA) (8100,8200,8300,8400 010000-))
LINEAS DEL FRENO AUXILIAR (VERSION EUROPEA) (8100,8200,8300,8400 010000-))
HANDBROMSLEDNINGAR (EUROPEISK VERSION) (8100,8200,8300,8400 010000-))
RE030367 -UN-16FEB99



RE030367

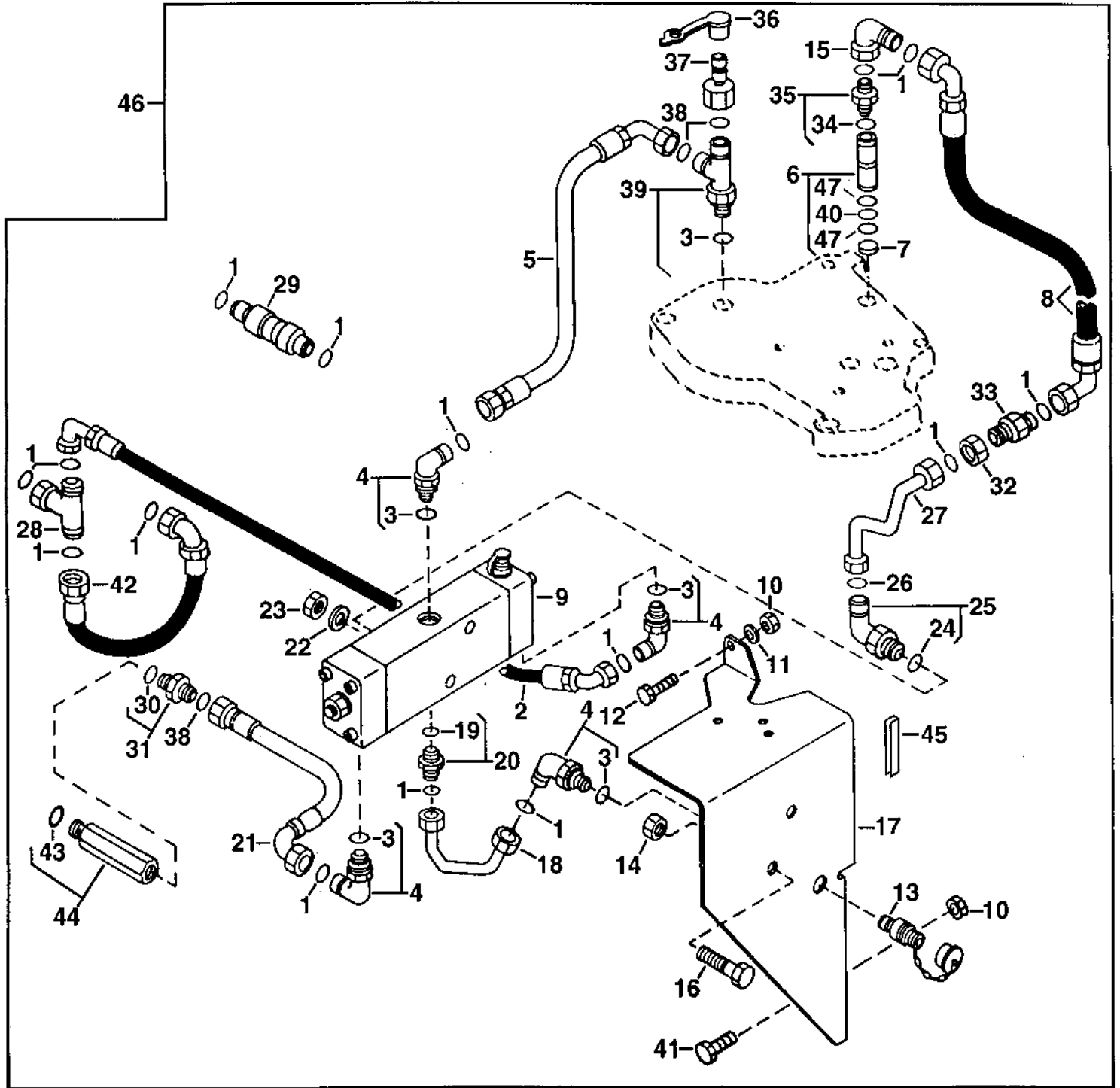
6G12

STEERING AND BRAKES

KEY	PART NO.	PART NAME	QTY	TRACTOR SERIAL NO.	A L L	REMARKS
1	R26448	O-RING	1		X	
2	38H1023	TEE FITTING	1		X	
3	T77613	O-RING	2		X	
4	RE68298	HYDRAULIC HOSE	1		X	
5	T77613	O-RING	2		X	
6	T77857	O-RING	3		X	
7	38H5123	TEE FITTING	1	-025704	X	
8	RE48610	OIL LINE	1	-025704	X	
9	38H5016	ELBOW FITTING	1		X	
10	RE68209	OIL LINE	1		X	
11	T13814	CLAMP	3		X	
12	19M8318	SCREW	3		X	M8 X 45, HS 10.9
13	RE60701	DIAGNOSTIC RECEPTACLE	1		X	
14	38H5127	TEE FITTING	1		X	
15	RE67784	HYDRAULIC HOSE	1		X	
16	R77175	COVER	1		X	
17	N32491	ISOLATOR	1		X	
18	R76477	TIE BAND	1		X	

6G13

TRAILER BRAKE VALVE KIT (EUROPEAN VERSION)
JEU DE SOUPEPE DE FREIN DE REMORQUE (VERSION EUROPEENNE)
ANHAENGERBREMSVENTIL-BAUSATZ (EUROPAEISCHE AUSFUEHRUNG)
KIT DELLA VALVOLA DEL FRENO DEL RIMORCHIO (VERSIONE EUROPEA)
JUEGO DE VALVULAS DEL FRENO DEL REMOLQUE (VERSION EUROPEA)
VENTILASTS FOER SLAEPVAGNSBROMS (EUROPEISK VERSION)
RE028478 -UN-04NOV97



RE028478

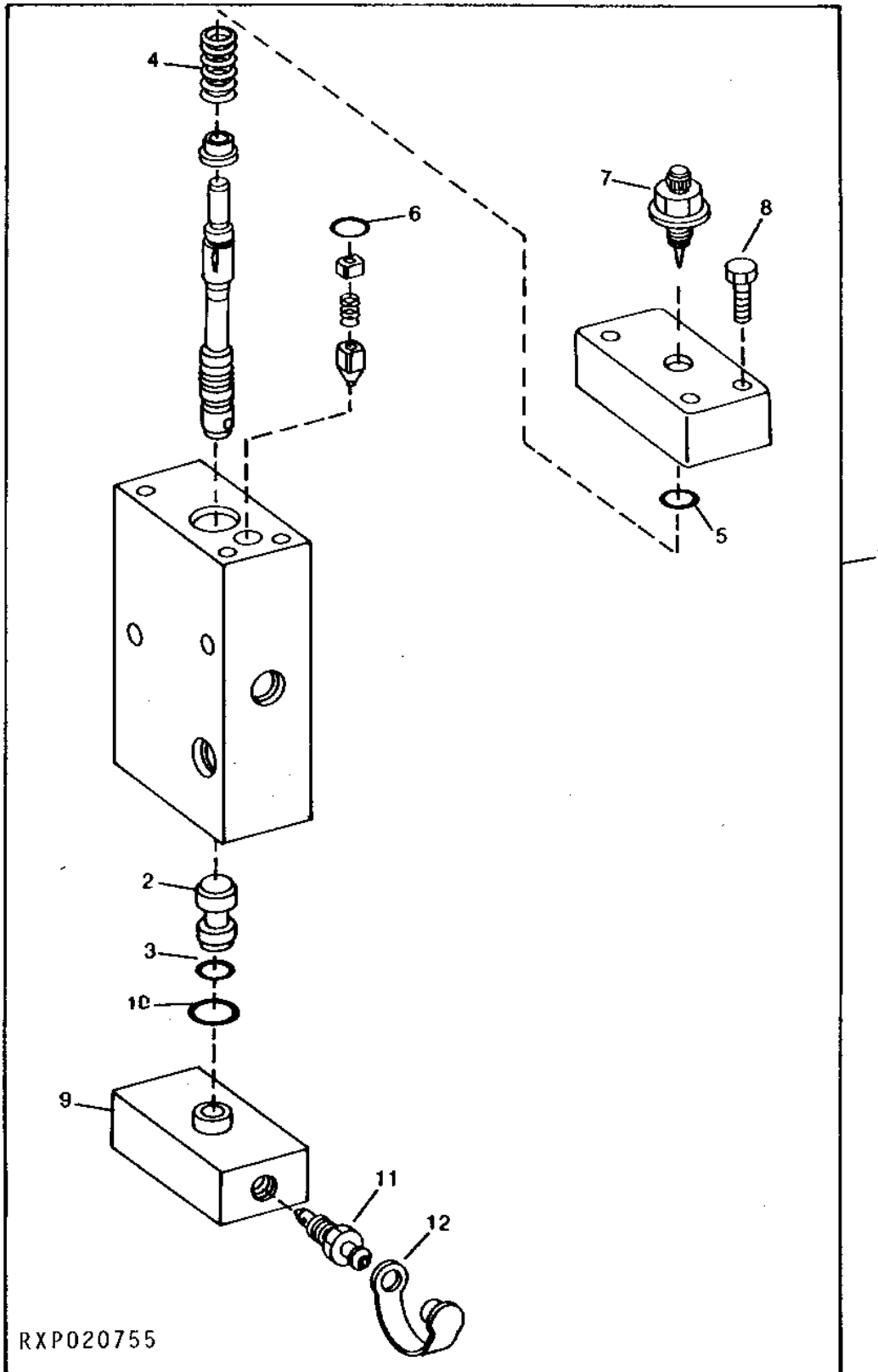
6G14

STEERING AND BRAKES

KEY	PART NO.	PART NAME	QTY	TRACTOR SERIAL NO.	A L L	REMARKS
1	T77613	O-RING	17		X	
2	RE48580	HYDRAULIC HOSE	1	-009999	X	
	RE68808	HYDRAULIC HOSE	1	010000-	X	
3	51M7041	O-RING	5		X	11.300 X 2.200 MM
4	38H5016	ELBOW FITTING	4		X	
5	RE60849	OIL LINE	1		X	
6	RE58763	SPACER	1		X	
7	R122147	CHECK VALVE	1		X	
8	RE61336	HYDRAULIC HOSE	1	-XXXXXX	X	
	RE62555	HYDRAULIC HOSE	1	XXXXXX-	X	
9	AL78795	VALVE	1		X	
10	14M7274	NUT	2		X	M10
11	24M7040	WASHER	1		X	11 X 20 X 2 MM
12	19M7168	CAP SCREW	1		X	M10 X 30
13	AL39859	INTERNAL HALF COUPLER	1		X	
14	14M7257	NUT	1		X	M20
15	38H5145	ELBOW FITTING	1		X	
16	19M7295	CAP SCREW	2		X	M8 X 45
17	R124441	BRACKET	1	-XXXXXX	X	
	R150365	BRACKET	1	XXXXXX-	X	
18	RE44766	HYDRAULIC LINE	1		X	
19	51M7041	O-RING	1		X	11.300 X 2.200 MM
20	38H5002	ADAPTER	1		X	
21	RE48637	HOSE	1		X	(SUB RE62872 AND RE61791)
	RE62872	OIL LINE	1		X	
22	24M7036	WASHER	2		X	9 X 16 X 1.600 MM
23	14M7273	NUT	2		X	M8
24	51M7040	O-RING	1		X	9.300 X 2.200 MM
25	38H5015	ELBOW FITTING	1		X	
26	T77814	O-RING	1		X	
27	RE48638	HYDRAULIC LINE	1		X	
28	38H5144	TEE FITTING	1		X	
29	RE55955	CHECK VALVE	2		X	
30	51M7045	O-RING	1		X	19.300 X 2.200 MM
31	38H5076	ADAPTER	1		X	
32	38H5091	NUT	1		X	
33	38H5100	UNION FITTING	1		X	
34	51M7045	O-RING	1		X	19.300 X 2.200 MM
35	RE49091	FITTING	1		X	
36	R77175	COVER	1		X	
37	RE43774	FITTING	1		X	
38	T77857	O-RING	3		X	
39	38H5065	TEE FITTING	1		X	
40	T11899	O-RING	1		X	
41	R153676	SCREW	1		X	HS 10.9
42	RE61395	HYDRAULIC HOSE	1		X	
43	51M7045	O-RING	1		X	19.300 X 2.200 MM
44	RE61791	FITTING	1		X	(USE WITH RE62872)
45	RE62489	MOLDING	1		X	
46	AR113759	KIT	1		X	(FI)
47	R133794	BACK-UP RING	2		X	

6G15

TRAILER BRAKE VALVE (EUROPEAN VERSION)
SOUPAPE DE FREIN DE REMORQUE (VERSION EUROPEENNE)
ANHAENGERBREMSVENTIL (EUROPAEISCHE AUSFUEHRUNG)
VALVOLA DEL FRENO DEL RIMORCHIO (VERSIONE EUROPEA)
VALVULA DEL FRENO DEL REMOLQUE (VERSION EUROPEA)
SLAEPVAGNSBROMSVENTIL (EUROPEISK VERSION)
RXP020755 -UN-01JAN94



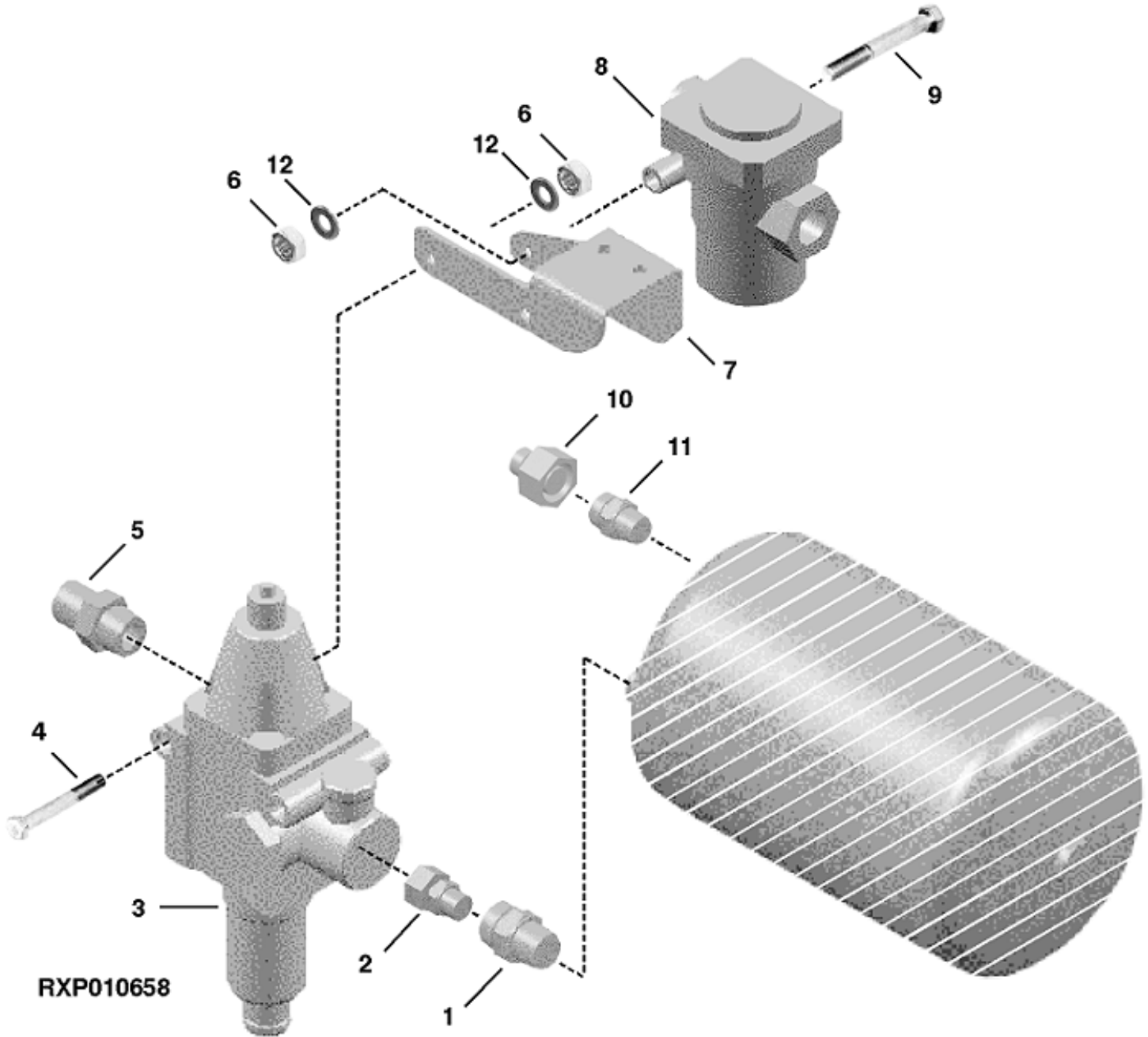
6G16

STEERING AND BRAKES

KEY	PART NO.	PART NAME	QTY	TRACTOR SERIAL NO.	A L L	REMARKS
1	AL78795	VALVE	1		X	
2	L30706	CYLINDER	1		X	
3	L53826	O-RING	1		X	
4	L62682	COMPRESSION SPRING	1		X	
5	R28776	O-RING	1		X	
6	L53976	O-RING	1		X	
7	AL63927	SCREW	1		X	
8	19M8263	SCREW	5		X	M6 X 30
9	L78625	COVER	1		X	
10	R28776	O-RING	1		X	
11	L102453	BLEED SCREW	1		X	(SUB FOR L77569)
12	R47862	CAP	1		X	

6G17

AIR BRAKE PRESSURE REGULATING VALVE(E.V.) (8100 -12327;8200 -11933;8300 -12566;8400 -12683)
FREINS A AIR COMPRIE,REGUALTEUR DE PRESSION(V.E.)(81 -12327;82 -11933;83 -12566;84 -12683)
DRUCKLUFTBREMSE, DRUCKREGULIERVENTIL (E. A.)(8100 -12327;8200 -11933;8300 -12566;8400 -12683)
VALVOLA DI REGOLAZIONE DELLA PRESSIONE(V.E.)(81 -012327;82 -011933;83 -012566;84 -012683)
FRENO NEUMATICO,VALVULA REGULADORA DE PRESION(V.E.)(81 -12327;82 -11933;83 -12566;8400 -12683)
TRYCKLUFTSBROMS, TRYCKREGLERVENTIL (E. V.) (8100 -12327;8200 -11933;8300 -12566;8400 - 12683)
RXP010658 -UN-01JAN94



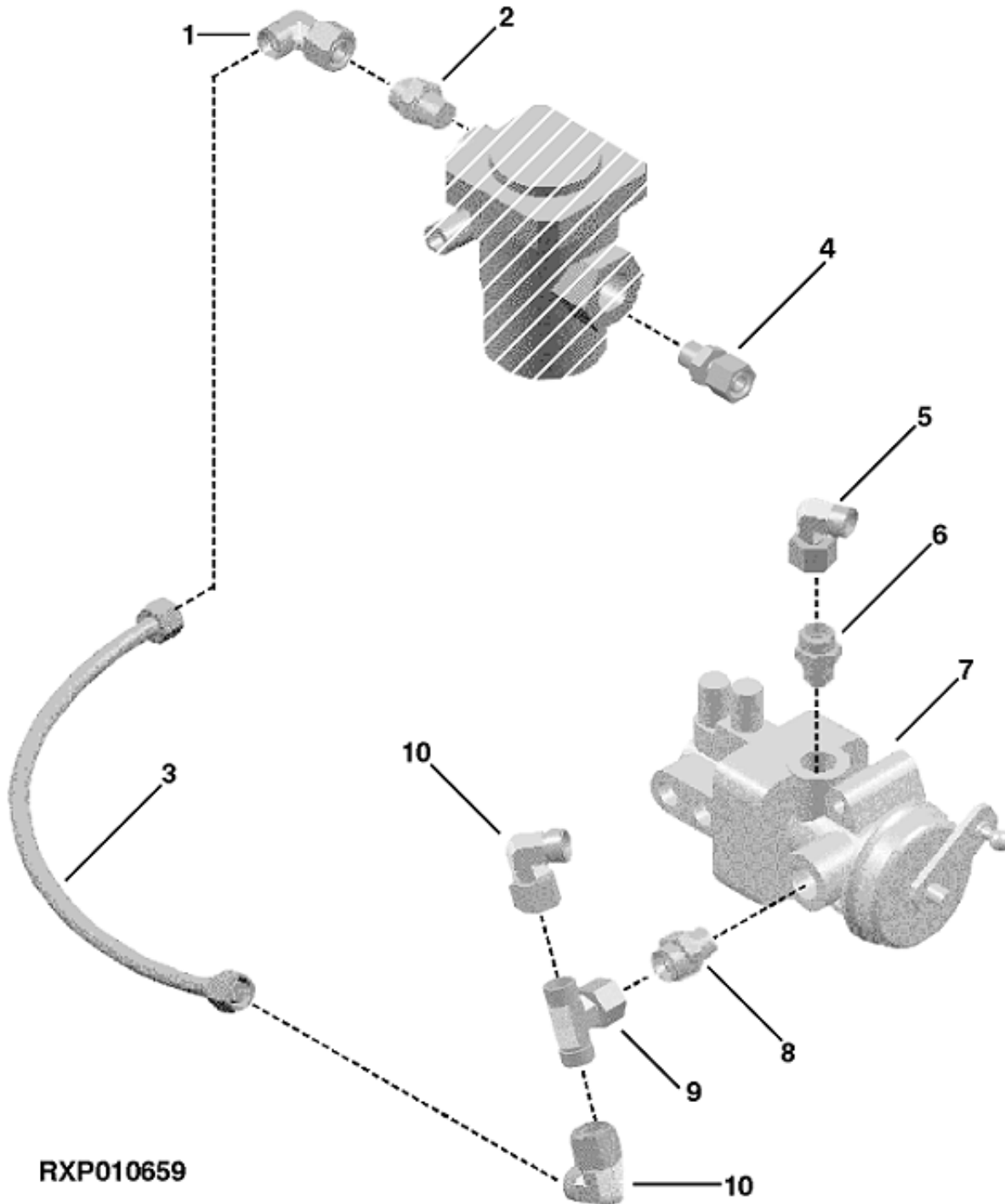
6G18

STEERING AND BRAKES

KEY	PART NO.	PART NAME	QTY	TRACTOR SERIAL NO.	A L L	REMARKS
1	RE54602	CONNECTOR	1		X	
2	RE54582	CONNECTOR	1		X	
3	AL78941	VALVE	1		X	
4	19M7663	CAP SCREW	2		X	M8 X 70
5	RE58382	FITTING	1		X	
6	14M7273	NUT	2		X	M8
7	R124525	BRACKET	1		X	
8	AL67648	VALVE	1		X	
9	19M7274	CAP SCREW	1		X	M8 X 70
10	RE54575	REDUCER	1		X	
11	RE54602	CONNECTOR	1		X	
12	24M7238	WASHER	3		X	8.700 X 17 X 2 MM

6G19

AIR BRAKE CONTROL VALVE (EUROPEAN VERSION) (8100 -012327;8200 -011933; 8300 -012566; 8400 -012683)
FREINS A AIR COMPRIME, SOUPAPE DE COMMANDE (V.E.)(8100 -12327;8200 -11933;8300 -12566;8400 -12683)
DRUCKLUFTBREMSE, STEUERVENTIL (E. A.) (8100 -12327; 8200 -11933; 8300 -12566; 8400 -12683)
FRENO AD ARIA COMPRESSA, VALVOLA DI COMANDO(V.E.)(8100 -12327;8200 -11933;8300 -12566;8400 -12683)
FRENO NEUMATICO, VALVULA DE CONTROL (V. E.) (8100 -12327; 8200 -11933; 8300 -12566; 8400 -12683)
TRYCKLUFTSBROMS, MANOEVERVENTIL (E. V.) (8100 -12327; 8200 -11933; 8300 -12566; 8400 -12683)
RXP010659 -UN-01JAN94



RXP010659

6G20

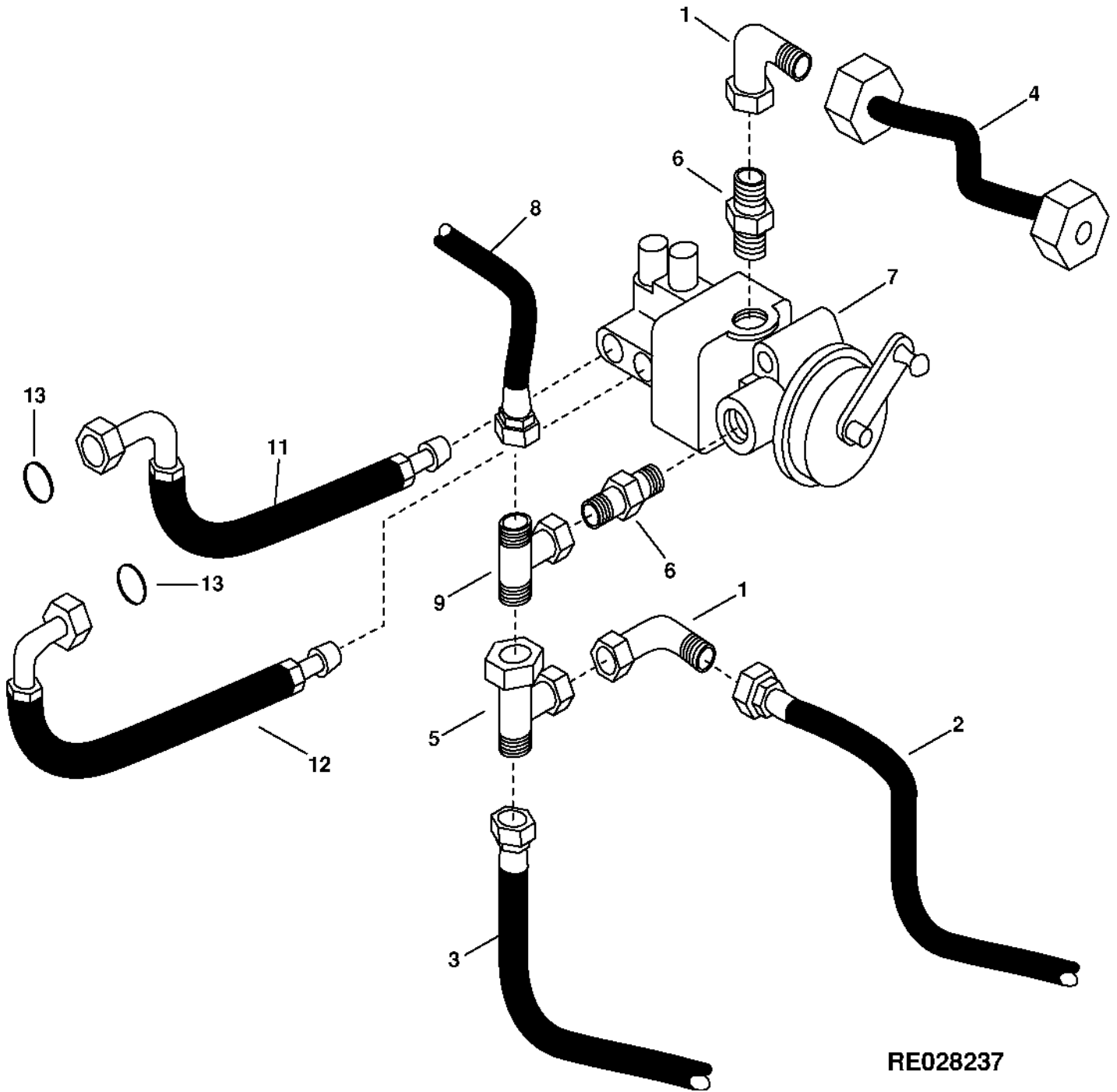
STEERING AND BRAKES

KEY	PART NO.	PART NAME	QTY	TRACTOR SERIAL NO.	A L L	REMARKS
1	RE54579	ELBOW FITTING	1		X	
2	RE54601	CONNECTOR	1		X	
3	RE57553	LINE	1		X	
4	RE54583	CONNECTOR	1		X	
5	RE54579	ELBOW FITTING	1		X	
6	RE54601	CONNECTOR	1		X	
7	AL81937	CONTROL VALVE	1		X	
8	RE54601	CONNECTOR	1		X	
9	RE54578	TEE FITTING	1		X	
10	RE54579	ELBOW FITTING	2		X	

6G21

STEERING AND BRAKES

AIR BRAKE CONTROL VALVE(EUROPEAN VERSION)(8100 012328- ;8200 011934- ;8300 012567- ;8400 012684-)
FREINS A AIR COMPRIE,SOUPEPE DE COMMANDE(V.E.)(8100 12328-;8200 11934-;8300 12567-;8400 12684-)
DRUCKLUFTBREMSE, STEUERVENTIL (E. A.) (8100 012328- ;8200 011934- ;8300 012567- ;8400 012684-)
FRENO AD ARIA COMPRESSA,VALVOLA DI COMANDO(V.E.)(8100 12328-;8200 11934-;8300 12567-;8400 012684-)
FRENO NEUMATICO, VALVULA DE CONTROL (V.E.)(8100 012328- ;8200 011934- ;8300 012567- ;8400 012684-)
TRYCKLUFTSBROMS, MANOEVERVENTIL (E. V.) (8100 012328- ;8200 011934- ;8300 012567- ;8400 012684-)
RE028237 -UN-11SEP97



RE028237

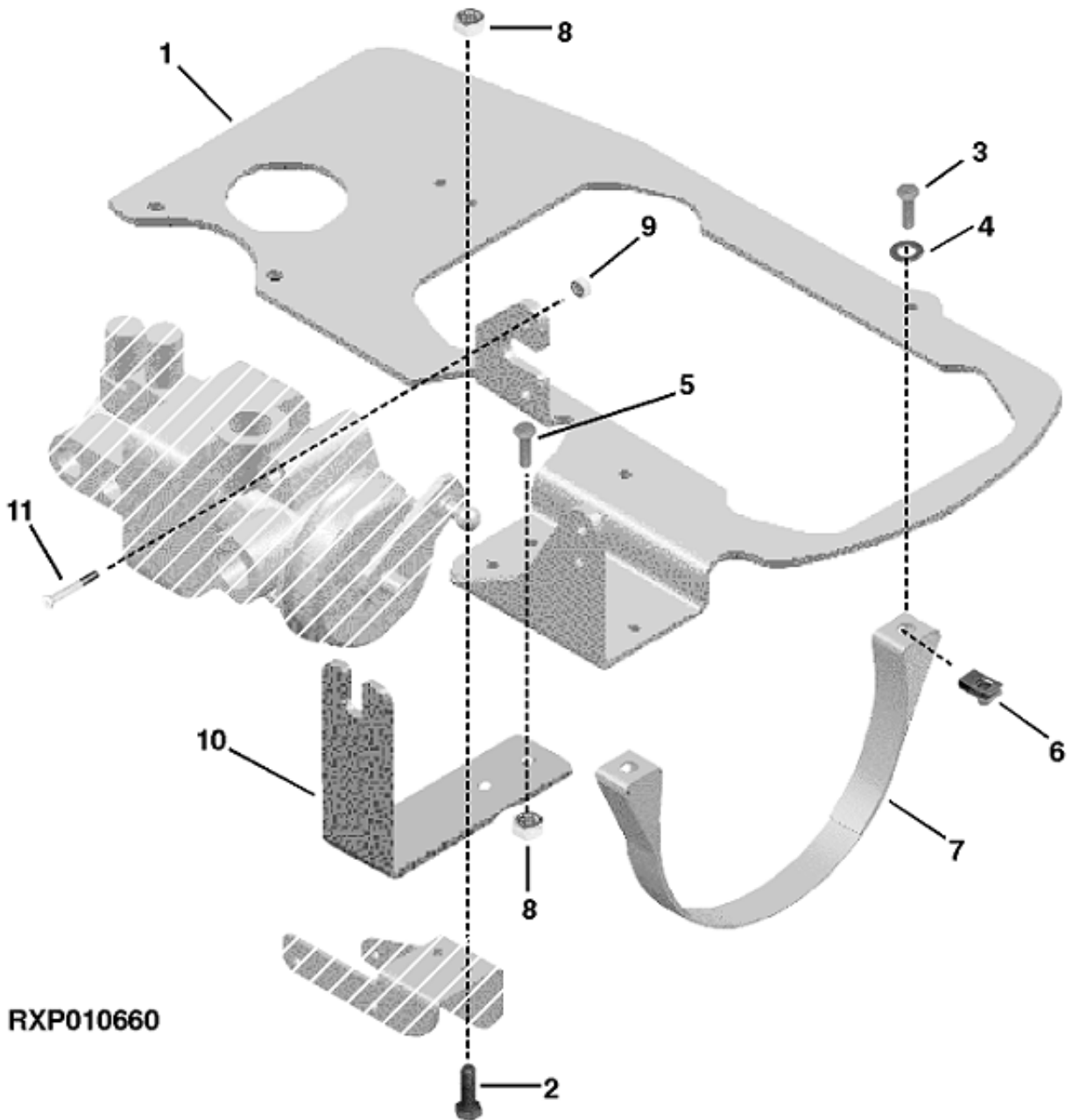
6G22

STEERING AND BRAKES

KEY	PART NO.	PART NAME	QTY	TRACTOR SERIAL NO.	A L L	REMARKS
1	RE54579	ELBOW FITTING	2		X	
2	RE150842	HOSE	1		X	
3	RE150843	HOSE	1		X	
4	RE150841	HOSE	1		X	
5	RE54577	TEE FITTING	1		X	
6	RE54601	CONNECTOR	2		X	
7	AL81937	CONTROL VALVE	1		X	
8	RE150840	LINE	1		X	
9	RE54578	TEE FITTING	1		X	
10	RE150903	REDUCER	1		X	
11	RE67781	HYDRAULIC HOSE	1		X	
12	RE67782	HYDRAULIC HOSE	1		X	
13	T77613	O-RING	2		X	

6G23

AIR BRAKE CONTROL VALVE BRACKETS(EUROPEAN VERSION)(8100 -12327;8200 -11933;8300 -12566;8400 -12683
FREINS A AIR COMPRIE,SUPPORTS DE SOUPEPE DE COMMANDE(V.E.)(81 -12327;82 -11933;83 -12566;84-12683
DRUCKLUFTBREMSE, STEUVENTILHALTERUNGEN (E.A.)(8100 -12327;8200 -11933;8300 -12566;8400 -12683)
FRENO AD ARIA COMPRESSA,STAFFE DELLA VALVOLA DI COM.(V.E.)(81 -12327;82 -11933;83 -12566;84 -12683)
FRENO NEUMATICO,SOPORTES DE VALVULA DE CONTROL(V.E.)(81 -12327;82 -11933;8300 -12566;84 -12683)
TRYCKLUFTSBROMS, MANOEVERVENTILFAESTE (E.V.)(8100 -12327;8200 -11933;8300 -12566;8400 -12683)
RXP010660 -UN-01JAN94



RXP010660

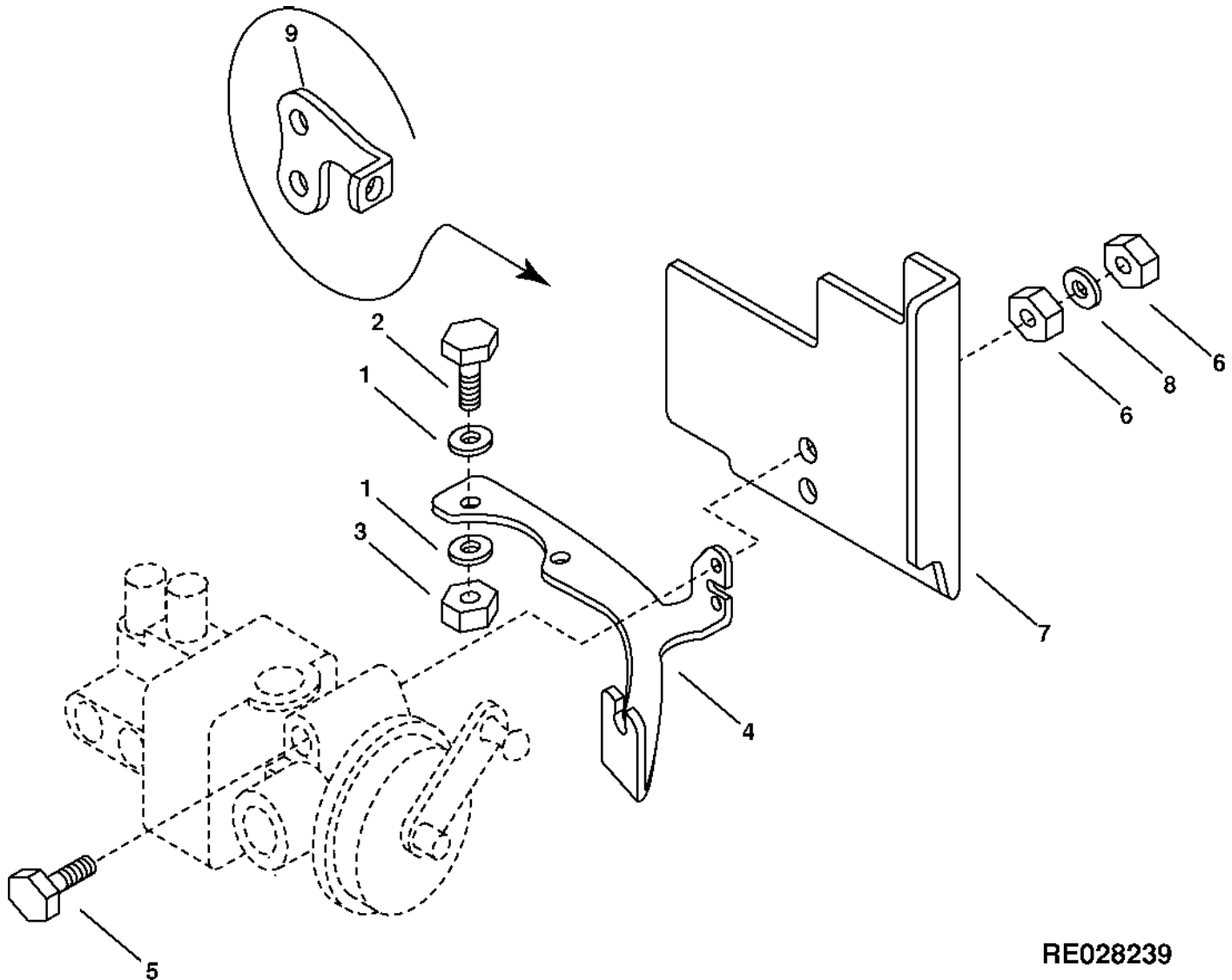
6G24

STEERING AND BRAKES

KEY	PART NO.	PART NAME	QTY	TRACTOR SERIAL NO.	A L L	REMARKS
1	R121257	BRACKET	1		X	
2	19M7163	CAP SCREW	2		X	M8 X 25
3	19M7295	CAP SCREW	2		X	M8 X 45
4	24M7055	WASHER	2		X	8.400 X 16 X 1.600 MM
5	19M7163	CAP SCREW	2		X	M8 X 25
6	M84971	NUT	2		X	
7	R124163	STRAP	1		X	
8	14M7273	NUT	4		X	M8
9	14M7273	NUT	2		X	M8
10	R121260	ANGLE	1		X	
11	19M7185	CAP SCREW	2		X	M8 X 60

6H1

AIR BRAKE CONTROL VALVE BRACKETS(E.V.) (8100 12328- ;8200 11934- ;8300 12567- ;8400 12684-)
AIR COMPRIME, SUPPORTS DE SOUPAPE DE COMMANDE (V. E.)(81 12328- ;82 11934- ;83 12567- ;84 12684-)
DRUCKLUFTBREMSE, STEUVENTILHALTERUNGEN(E.A.)(81 12328- ;82 11934- ;83 12567- ;84 12684-)
FRENO AD ARIA COMPRESSA,STAFFE DELLA VALVOLA DI COM.(V.E.)(81 12328-;82 11934-;83 12567-;84 12684-)
FRENO NEUMATICO, SOPORTES DE VALVULA DE CONTROL(V.E.)(81 12328- ;82 11934- ;83 12567- ;84 12684-)
TRYCKLUFTSBROMS, MANOEVERTENTILFAESTE(E.V.)(81 12328- ;82 11934- ;83 12567- ;84 12684-)
RE028239 -UN-11SEP97



RE028239

6H2

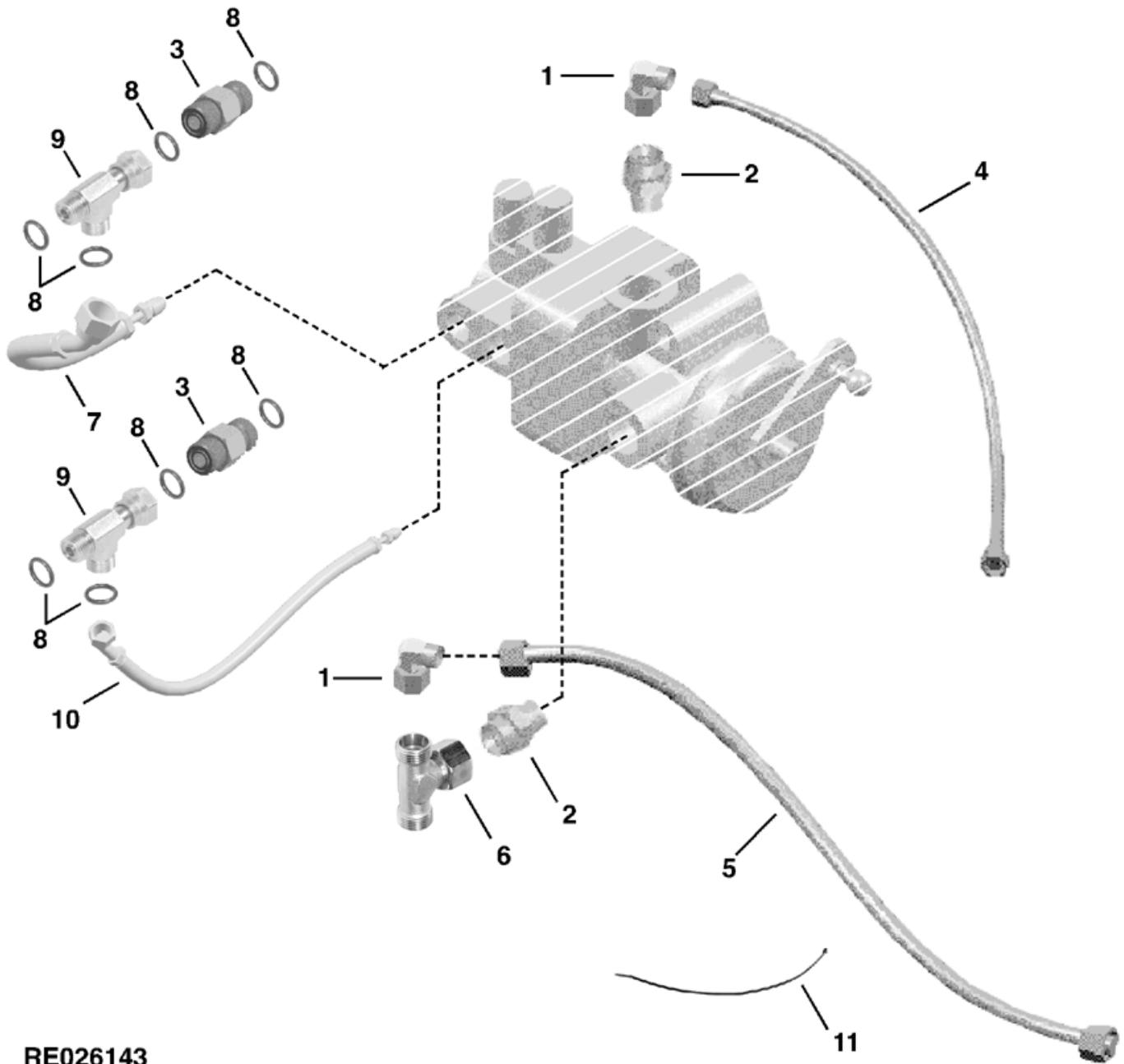
STEERING AND BRAKES

KEY	PART NO.	PART NAME	QTY	TRACTOR SERIAL NO.	A L L	REMARKS
1	24M7346	WASHER	4		X	11 X 20 X 2 MM
2	19M7550	CAP SCREW	2		X	M10 X 35, HS 10.9
3	14M7274	NUT	2		X	M10
4	R150538	BRACKET	1		X	
5	19M7274	CAP SCREW	2		X	M8 X 70
6	14M7273	NUT	4		X	M8
7	R150815	SHIELD	1		X	
8	24M7238	WASHER	2		X	8.700 X 17 X 2 MM
9	R150539	STOP	1		X	(A)

(A) LESS SECONDARY BRAKE
W/O FREIN SECONDAIRE
W/O ZWEITBREMSE
W/O FRENO SECONDARIO
W/O FRENO SECUNDARIO
W/O PARKERINGSBROMS

6H3

AIR BRAKE CONTROL VALVE LINES (EUROPEAN VERSION) (8100,8200,8300,8400 -009999)
FREINS A AIR COMPRIE, CONDUITES DE SOUPEPE DE COMMANDE (V. E.) (8100,8200,8300,8400 -009999)
DRUCKLUFTBREMSE, STEUERVENTILLEITUNGEN(EUROPAEISCHE AUSFUEHRUNG)(8100,8200,8300,8400 -009999)
FRENO AD ARIA COMPRESSA, TUBI DELLA VALVOLA DI COMANDO (V. E.) (8100,8200,8300,8400 -009999)
FRENO NEUMATICO, LINEAS DE VALVULA DE CONTROL (VERSION EUROPEA)(8100,8200,8300,8400 -009999)
TRYCKLUFTSBROMS, MANOEVERVENTILLEDNINGAR (EUROPEISK VERSION) (8100,8200,8300,8400 -009999)
RE026143 -UN-13MAR95



RE026143

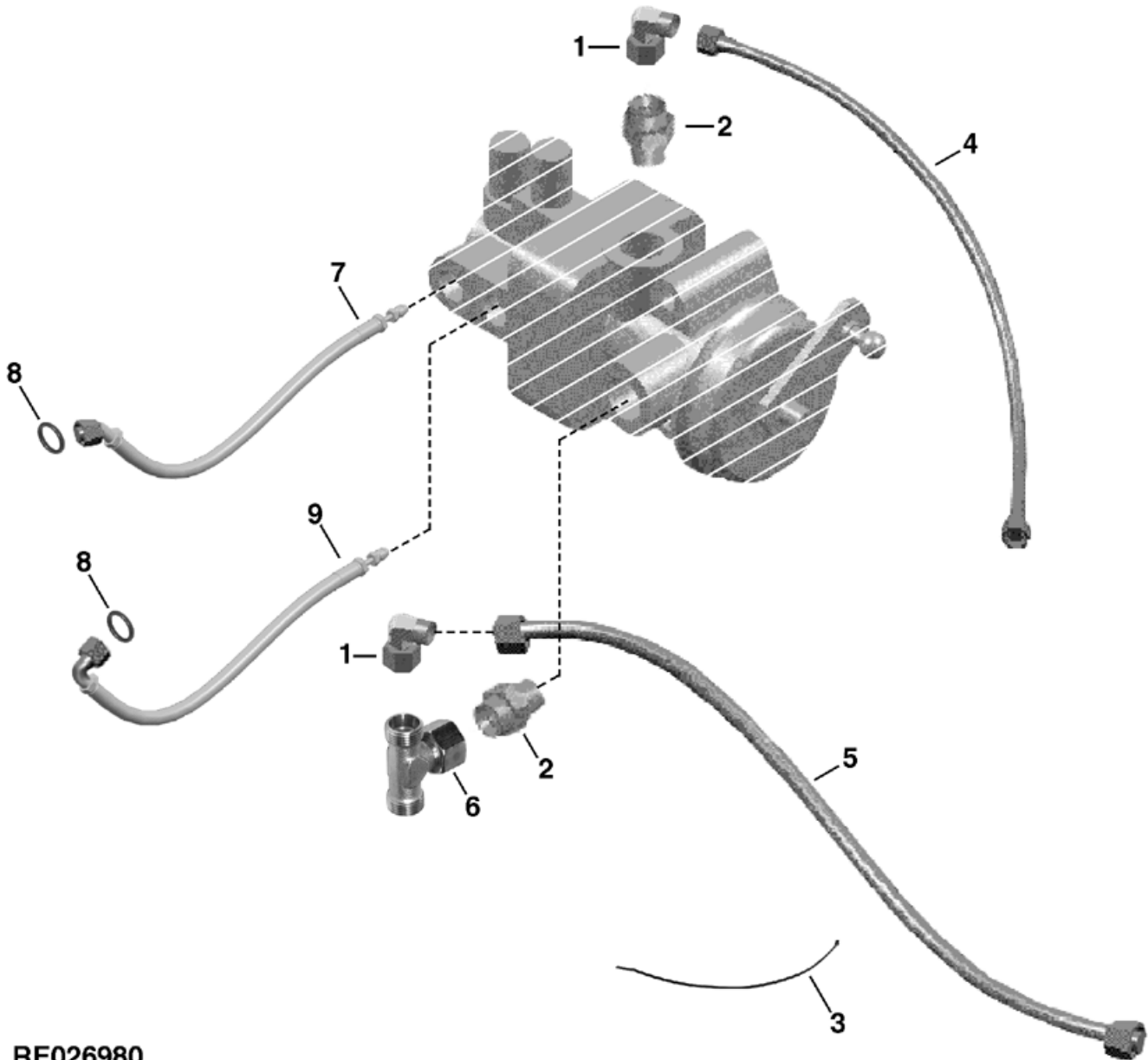
6H4

STEERING AND BRAKES

KEY	PART NO.	PART NAME	QTY	TRACTOR SERIAL NO.	A L L	REMARKS
1	RE54579	ELBOW FITTING	2		X	
2	RE54601	CONNECTOR	2		X	
3	RE55955	CHECK VALVE	2		X	
4	RE57554	LINE	1		X	
5	RE57555	LINE	1		X	
6	RE54578	TEE FITTING	1		X	
7	RE61391	HYDRAULIC HOSE	1		X	
8	T77613	O-RING	8		X	
9	38H5105	TEE FITTING	2		X	
10	RE61388	HYDRAULIC HOSE	1		X	
11	R44302	TIE BAND	1		X	

6H5

AIR BRAKE CONTROL VALVE LINES (EUROPEAN VERSION)(8100 010000-012327;8200 010000-011933)
FREINS A AIR COMPRIE,CONDUITES DE SOUPEPE DE COMMANDE(V.E.)(8100 10000-12327;8200 10000-119933)
DRUCKLUFTBREMSE, STEUERVENTILLEITUNGEN (E.A.) (8100 010000-012327;8200 010000-011933)
FRENO AD ARIA COMPRESSA,TUBI DELLA VALVOLA DI COMANDO(V.E.)(8100 010000-012327;8200 010000-011933)
FRENO NEUMATICO, LINEAS DE VALVULA DE CONTROL (V. E.) (8100 010000-012327;8200 010000-011933)
TRYCKLUFTSBROMS, MANOEVERVENTILLEDNINGAR (E. V.) (8100 010000-012327;8200 010000-011933)
RE026980 -UN-20JUN96



RE026980

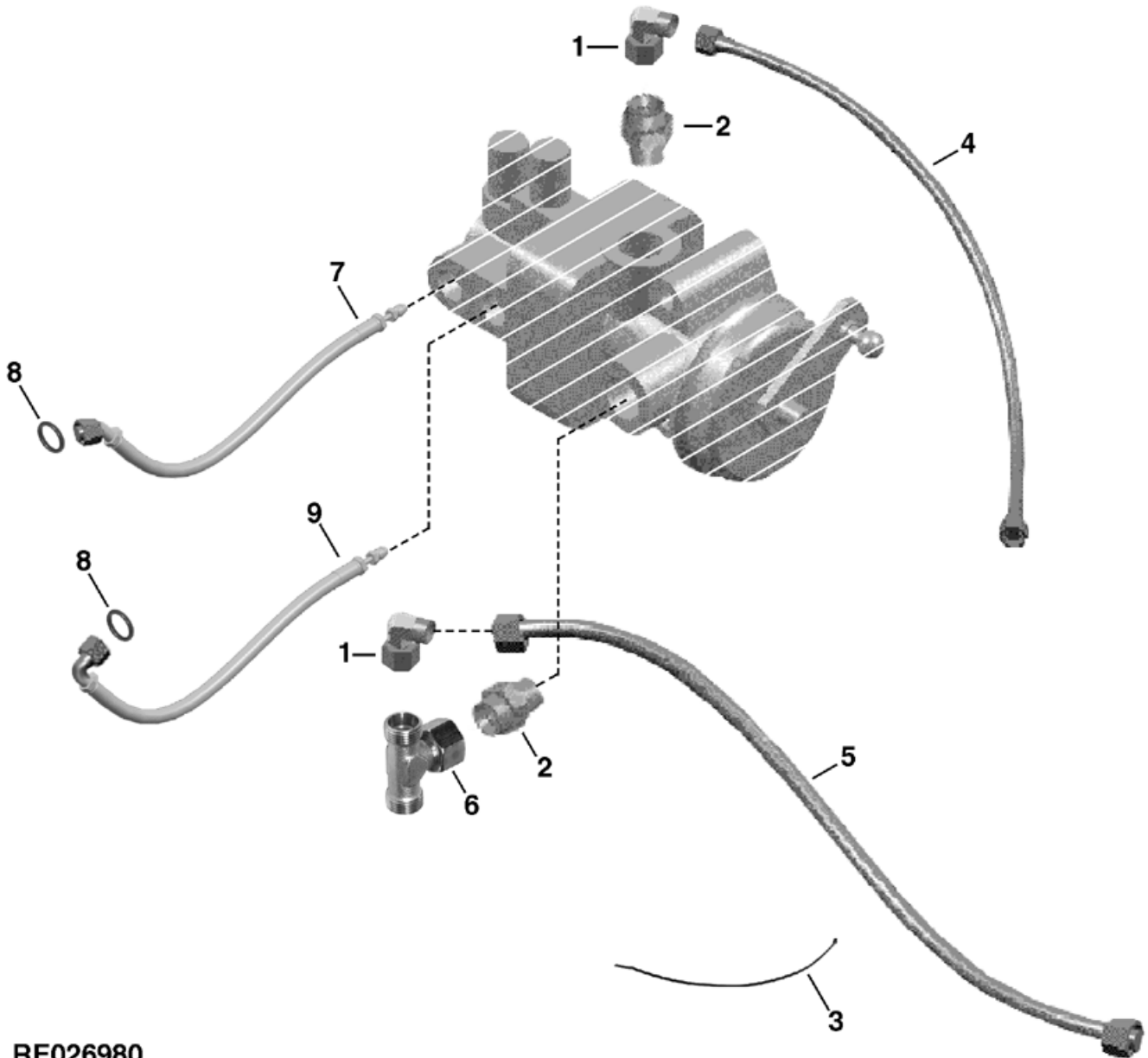
6H6

STEERING AND BRAKES

KEY	PART NO.	PART NAME	QTY	TRACTOR		REMARKS
				SERIAL NO.		
				8	8	
				1	2	
				0	0	
				0	0	
1	RE54579	ELBOW FITTING	2		X X	
2	RE54601	CONNECTOR	2		X X	
3	R44302	TIE BAND	1		X X	
4	RE57554	LINE	1		X X	
5	RE57555	LINE	1		X X	
6	RE54578	TEE FITTING	1		X X	
7	RE67781	HYDRAULIC HOSE	1		X X	R.H.
8	T77613	O-RING	2		X X	
9	RE67782	HYDRAULIC HOSE	1		X X	L.H.

6H7

AIR BRAKE CONTROL VALVE LINES(EUROPEAN VERSION)(8300 010000-012566;8400 010000-012683)
FREINS A AIR COMPRIE,CONDUITES DE SOUPEPE DE COMMANDE(V.E.)(8300 10000-12566;8400 10000-12683)
DRUCKLUFTBREMSE, STEUERVENTILLEITUNGEN (E.A.) (8300 010000-012566; 8400 010000-012683)
FRENO AD ARIA COMPRESSA,TUBI DELLA VALVOLA DI COMANDO(V.E.)(8300 10000-12566;8400 10000-12683)
FRENO NEUMATICO, LINEAS DE VALVULA DE CONTROL (V. E.) (8300 010000-012566; 8400 010000-012683)
TRYCKLUFTSBROMS, MANOEVERTENTILLEDNINGAR (E. V.) (8300 010000-012566; 8400 010000-012683)
RE026980 -UN-20JUN96



RE026980

6H8

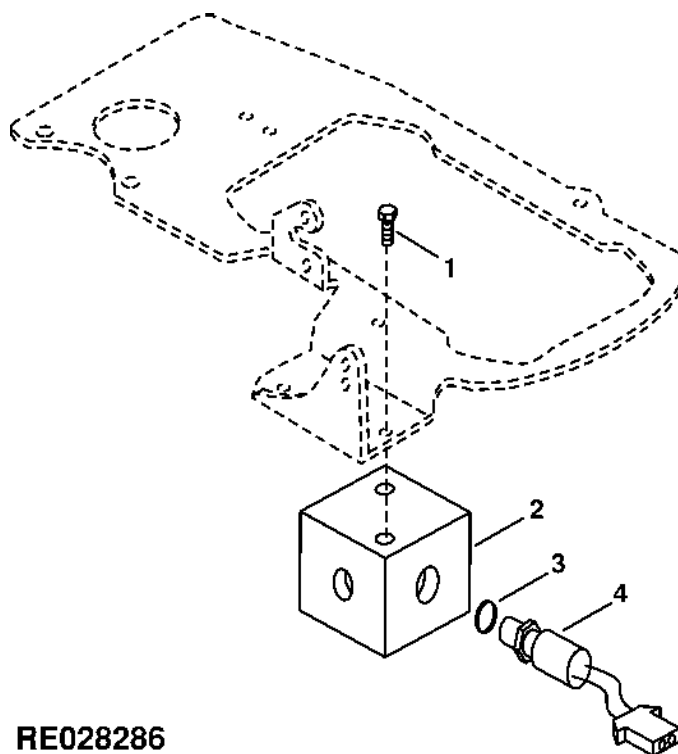
STEERING AND BRAKES

KEY	PART NO.	PART NAME	QTY	TRACTOR		REMARKS
				SERIAL NO.		
				8	8	
				3	4	
				0	0	
				0	0	
1	RE54579	ELBOW FITTING	2		X X	
2	RE54601	CONNECTOR	2		X X	
3	R44302	TIE BAND	1		X X	
4	RE57554	LINE	1		X X	
5	RE57555	LINE	1		X X	
6	RE54578	TEE FITTING	1		X X	
7	RE67782	HYDRAULIC HOSE	1		X X	L.H.
8	T77613	O-RING	2		X X	
9	RE67781	HYDRAULIC HOSE	1		X X	R.H.

MEMORANDA
MEMORANDA
MEMORANDA
MEMORANDA
MEMORANDA

6H9

AIR BRAKE PRESSURE SWITCH MANIFOLD(E.V.)(8100 -12327;8200 -11933;8300 -12566;8400 -12683)
 FREINS A AIR COMPRIME,COLLECTEUR DE MANOSTAT(V.E.)(8100 -12327;8200 -11933;8300 -12566;8400 -12683)
 DRUCKLUFTBREMSE, DRUCKSCHALTERVERTEILER (E.A.)(8100 -12327;8200 -11933;8300 -12566;8400 -12683)
 FRENO AD ARIA COMPRESSA,COLLETORE DEL PRESSOSTATO(V.E.)(81 -12327;82 -11933;83 -12566;84 -12683)
 FRENO NEUMATICO,MULTIPLE DEL INTERRUPTOR DE PRESION(V.E.)(81 -12327;82 -11933;83 -12566;84 -12683)
 TRYCKLUFTSBROMS,KOMMUTATOR FOER TRYCKKONTAKT(E.V.)(8100 -12327;8200 -11933;8300 -12566;8400 -12683)
 RE028286 -UN-05SEP97

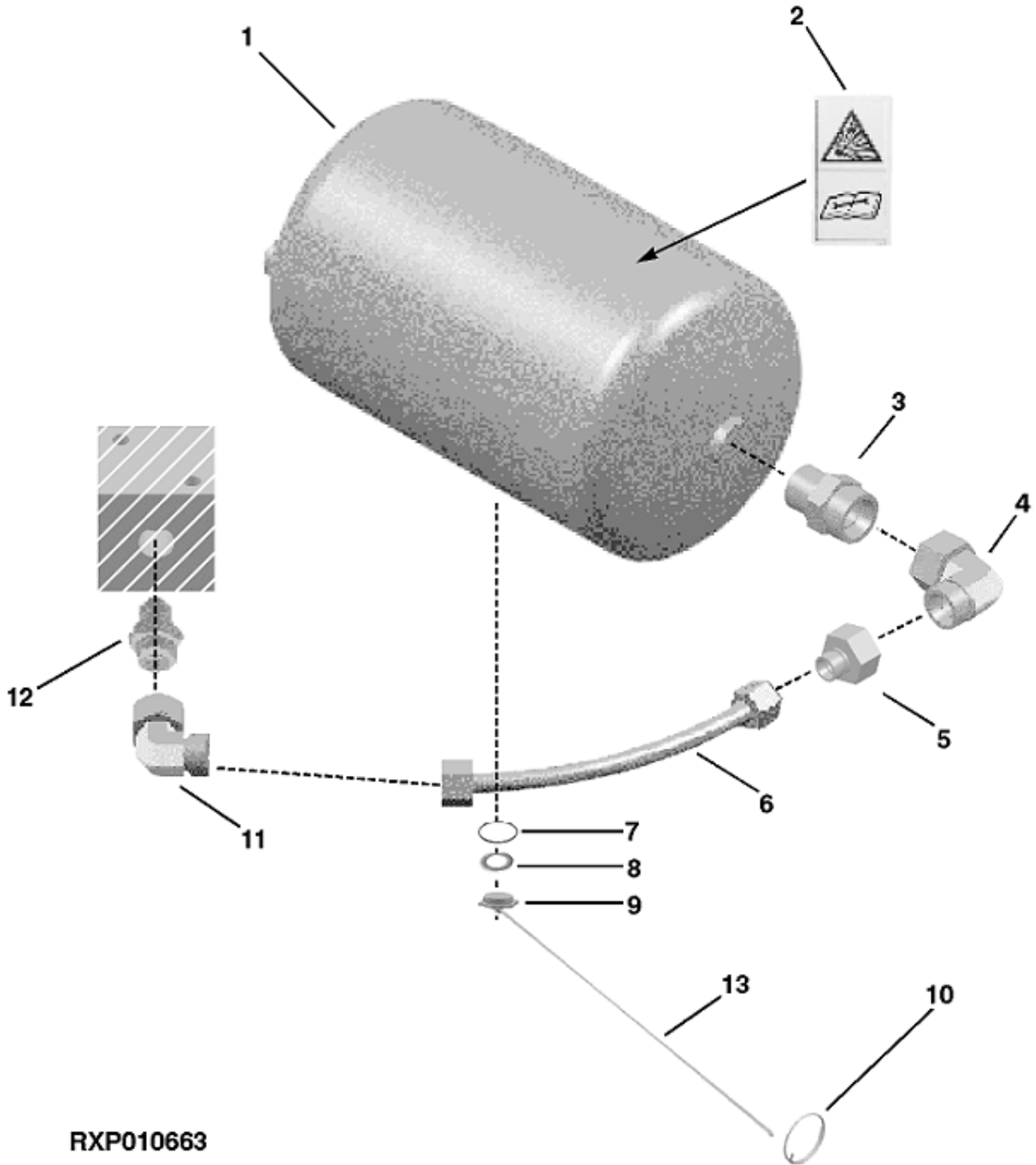


RE028286

KEY	PART NO.	PART NAME	QTY	TRACTOR SERIAL NO.	A	REMARKS
					L	
1	19M7163	CAP SCREW	2		X	M8 X 25
2	RE58479	VALVE	1		X	
3	51M7039	O-RING	1		X	8.100 X 1.600 MM
4	RE55363	PRESSURE SWITCH	1		X	

6H10

AIR BRAKE AIR TANK (EUROPEAN VERSION)(8100 -012327;8200 -011933;8300 -012566;8400 -012683)
FREINS A AIR COMPRIME RESERVOIR(VERSION EUROPEENNE)(81 -12327;82 -11933;83 -12566;84 -12683)
DRUCKLUFTBREMSE, LUFTBEHAELTER(EUROPAEISCHE AUSFUEHRUNG)(81 -12327;82 -11933;83 -12566;84 -12683)
FRENO AD ARIA COMPRESSA,SERBATOIO DELL'ARIA(V.E.)(81 -12327;82 -11933;83 -12566;84 -12683)
FRENO NEUMATICO, DEPOSITO DE AIRE (VERSION EUROPEA)(81 -12327;82 -11933;83 -12566;84 -12683)
TRYCKLUFTSBROMS, LUFTBEHAALLARE (EUROPEISK VERSION)(81 -12327;82 -11933;83 -12566;84 -12683)
RXP010663 -UN-01JAN94



RXP010663

6H11

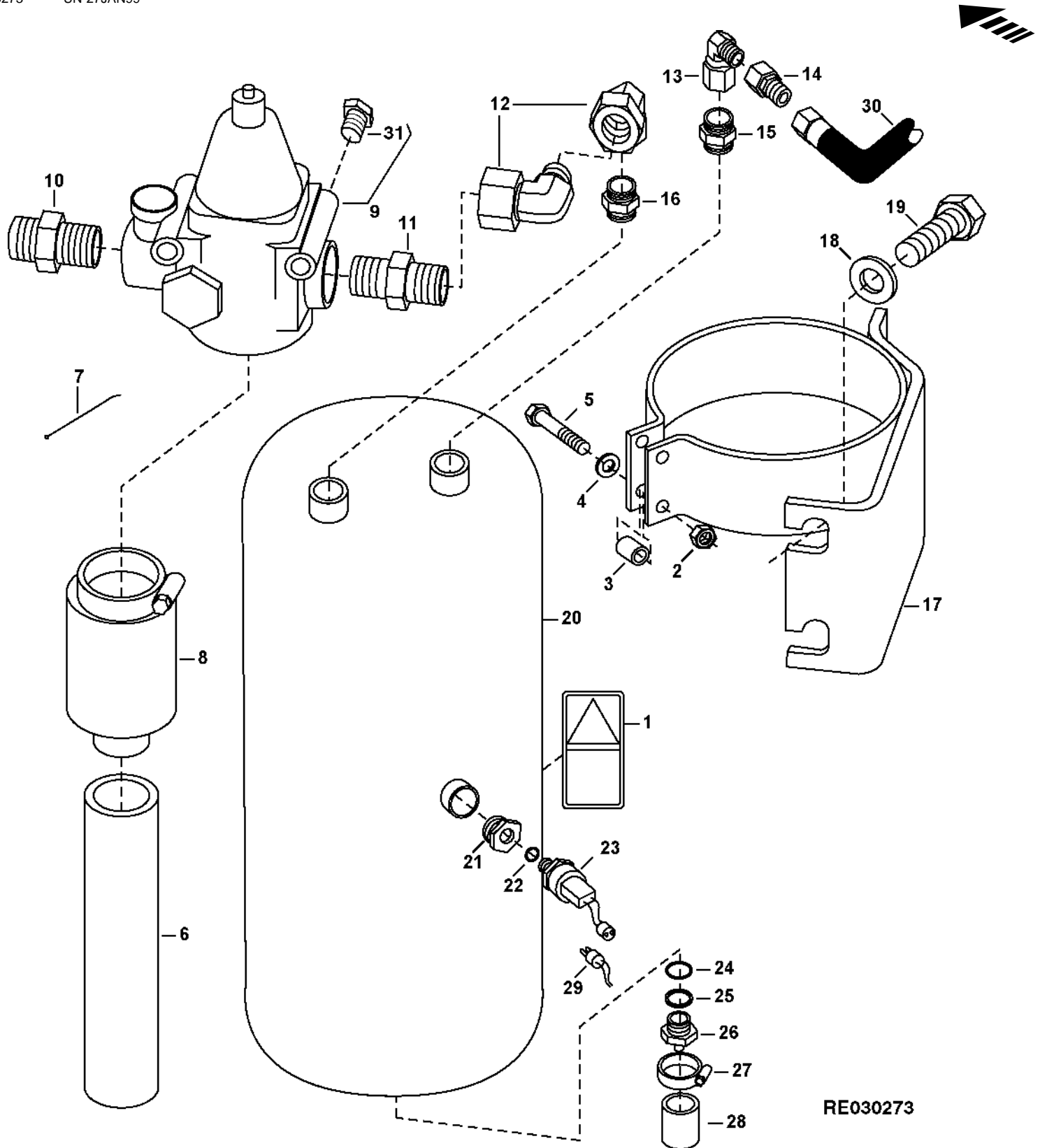
STEERING AND BRAKES

KEY	PART NO.	PART NAME	QTY	TRACTOR SERIAL NO.	A L L	REMARKS
1	L64185	RESERVOIR	1		X	
2	L113583	LABEL	1		X	(SUB FOR L65043)
3	RE54602	CONNECTOR	1		X	
4	RE54581	ELBOW FITTING	1		X	
5	RE54575	REDUCER	1		X	
6	RE57556	OIL LINE	1		X	
7	L62893	O-RING	1		X	
8	L63816	WASHER	1		X	
9	AL68589	VALVE	1		X	
10	R80436	RING	1		X	
11	RE54579	ELBOW FITTING	1		X	
12	RE54601	CONNECTOR	1		X	
13	RE63899	CABLE	1		X	(SUB FOR RE60931)

6H12

STEERING AND BRAKES

AIR BRAKE AIR TANK (EUROPEAN VERSION)(8100 012328- ;8200 011934- ;8300 012567- ;8400 012684-)
FREINS A AIR COMPRIME RESERVOIR (VERSION EUROPEENNE)(81 12328- ;82 11934;83 12567- ;84 12684-)
DRUCKLUFTBREMSE,LUFTBEHAELTER(EUROPAEISCHE AUSFUEHRUNG)(81 12328- ;82 11934- ;83 12567- ;84 12684-)
FRENO AD ARIA COMPRESSA, SERBATOIO DELL'ARIA (V.E.)(81 12328- ;82 11934- ;83 12567- ;84 12684-)
FRENO NEUMATICO,DEPOSITO DE AIRE (VERSION EUROPEA)(81 12328- ;82 11934- ;83 12567- ;84 12684-)
TRYCKLUFTSBROMS, LUFTBEHAALLARE (EUROPEISK VERSION)(81 12328- ;82 11934- ;83 12567- ;8400 12684-)
RE030273 -UN-27JAN99



RE030273

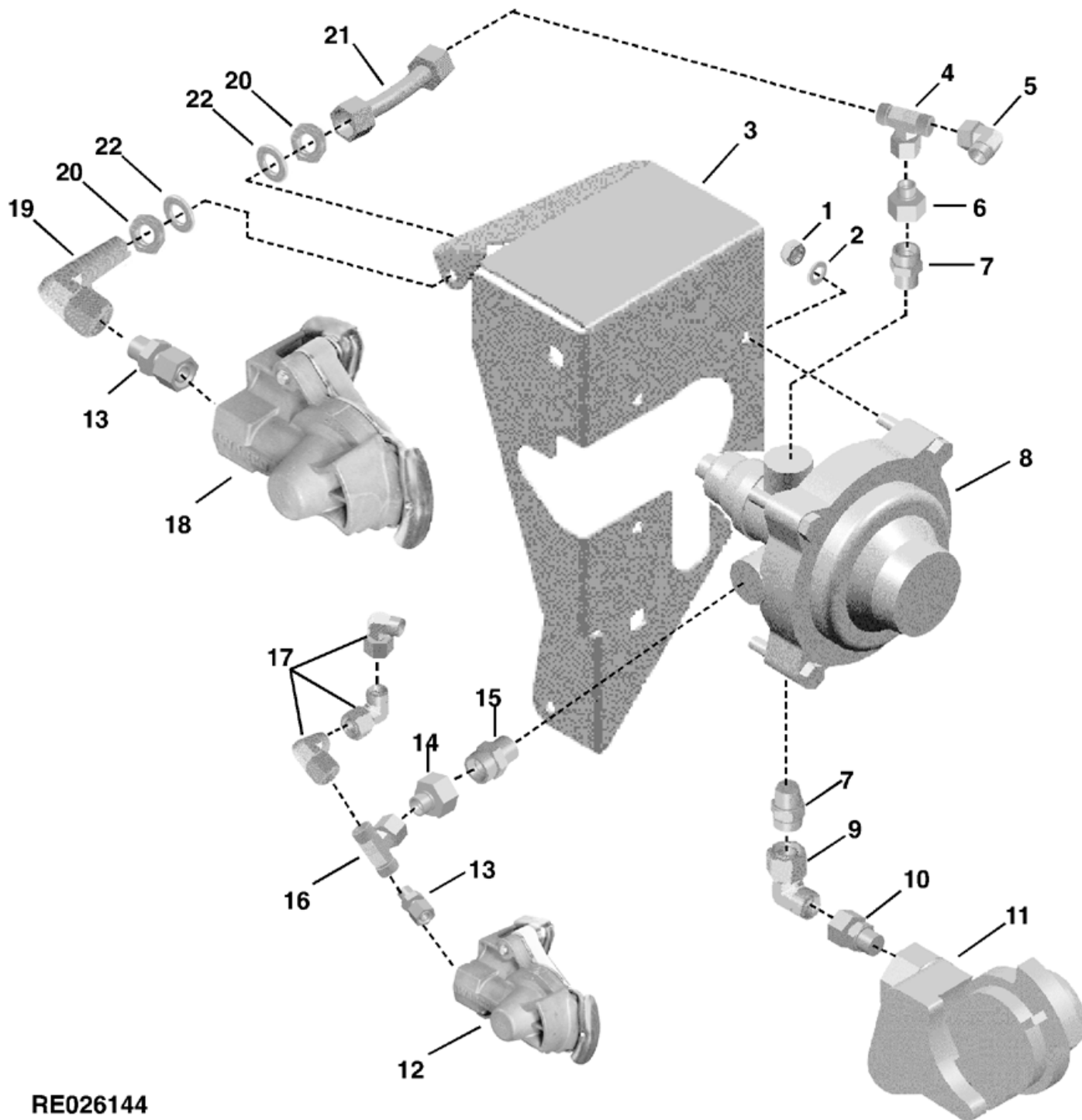
6H13

STEERING AND BRAKES

KEY	PART NO.	PART NAME	QTY	TRACTOR SERIAL NO.	A L L	REMARKS
1	L113583	LABEL	1		X	(SUB FOR L65043)
2	14M7275	NUT	2		X	M12
3	28H3457	BUSHING	2		X	0.546" X 0.840" X 1-1/16"
4	24M7240	WASHER	4		X	13 X 25 X 3 MM
5	19M7361	CAP SCREW	2		X	M12 X 50, HS 10.9
6	R150664	HOSE	1		X	
7	R44302	TIE BAND	1		X	
8	AL111719	ABSORBER	1		X	
9	AL112538	REGULATOR	1	-XXXXXX	X	
	L41079	PIPE PLUG	1		X	
	L64173	O-RING	1		X	
	L64413	SEAL	1		X	
	RE159802	CONTROL VALVE	1	XXXXXX-	X	
10	RE58382	FITTING	1		X	
11	RE54582	CONNECTOR	1		X	
12	RE54581	ELBOW FITTING	2		X	
13	RE54579	ELBOW FITTING	1		X	
14	RE150903	REDUCER	1		X	
15	RE150839	CONNECTOR	1		X	
16	RE54602	CONNECTOR	1		X	
17	RE150778	BRACKET	1		X	
18	24M7344	WASHER	2		X	22 X 37 X 3 MM
19	19M7946	CAP SCREW	2		X	M20 X 40, HS 10.9
20	AL111802	RESERVOIR	1		X	
21	RE150663	CONNECTOR	1		X	
22	51M7040	O-RING	1		X	9.300 X 2.200 MM
23	RE150606	SWITCH	1		X	
24	L62893	O-RING	1		X	
25	L63816	WASHER	1		X	
26	AL68589	VALVE	1		X	
27	TY22467	CLAMP	1		X	
28	R150662	HOSE	1		X	
29	RE150545	WIRING HARNESS	1		X	
30	RE150840	LINE	1		X	
31	RE159805	PLUG	1	XXXXXX-	X	

6H14

AIR BRAKE COUPLERS (EUROPEAN VERSION)(8100 -012327;8200 -011933;8300 -012566; 8400 -012683)
FREINS A AIR COMPRIE, RACCORDS (VERSION EUROPEENNE)(81 -12327;82 -11933;83 -12566;8400 -12683)
DRUCKLUFTBREMSE, KUPPLUNGEN (EUROPAEISCHE AUSFUEHRUNG) (81 -12327;82 -11933;83 -12566;84 -12683)
FRENO AD ARIA COMPRESSA,RACCORDI(VERSIONE EUROPEA)(81 -12327;82 -11933;83 -12566;84 -12683)
FRENO NEUMATICO, ACOPLADORES(VERSION EUROPEA)(8100 -12327;8200 -11933;8300 -12566;8400 -12683)
TRYCKLUFTSBROMS, KOPPLINGAR (EUROPEISK VERSION) (81 -12327;82 -11933;83 -12566;8400 -12683)
RE026144 -UN-13MAR95



RE026144

6H15

STEERING AND BRAKES

KEY	PART NO.	PART NAME	QTY	TRACTOR SERIAL NO.	A L L	REMARKS
1	14M7274	NUT	4		X	M10
2	24M7028	WASHER	4		X	10.500 X 20 X 2 MM
3	R125324	SUPPORT	1		X	
4	RE54578	TEE FITTING	1		X	
5	RE54579	ELBOW FITTING	1		X	
6	RE54575	REDUCER	1		X	
7	RE150839	CONNECTOR	2		X	
8	AL68577	VALVE	1		X	
9	RE54581	ELBOW FITTING	1		X	
10	RE54582	CONNECTOR	1		X	
11	AL68573	HITCH COUPLING	1		X	(A)
12	AL68572	HITCH COUPLING	1		X	(B)
13	RE54583	CONNECTOR	2		X	
14	RE54575	REDUCER	1		X	
15	RE54602	CONNECTOR	1		X	
16	RE54578	TEE FITTING	1		X	
17	RE54579	ELBOW FITTING	2		X	
18	AL68571	HITCH COUPLING	1		X	(C)
19	RE54573	ELBOW FITTING	1		X	
20	14M7209	NUT	2		X	M18
21	RE60934	HOSE	1		X	
22	R63667	WASHER	2		X	

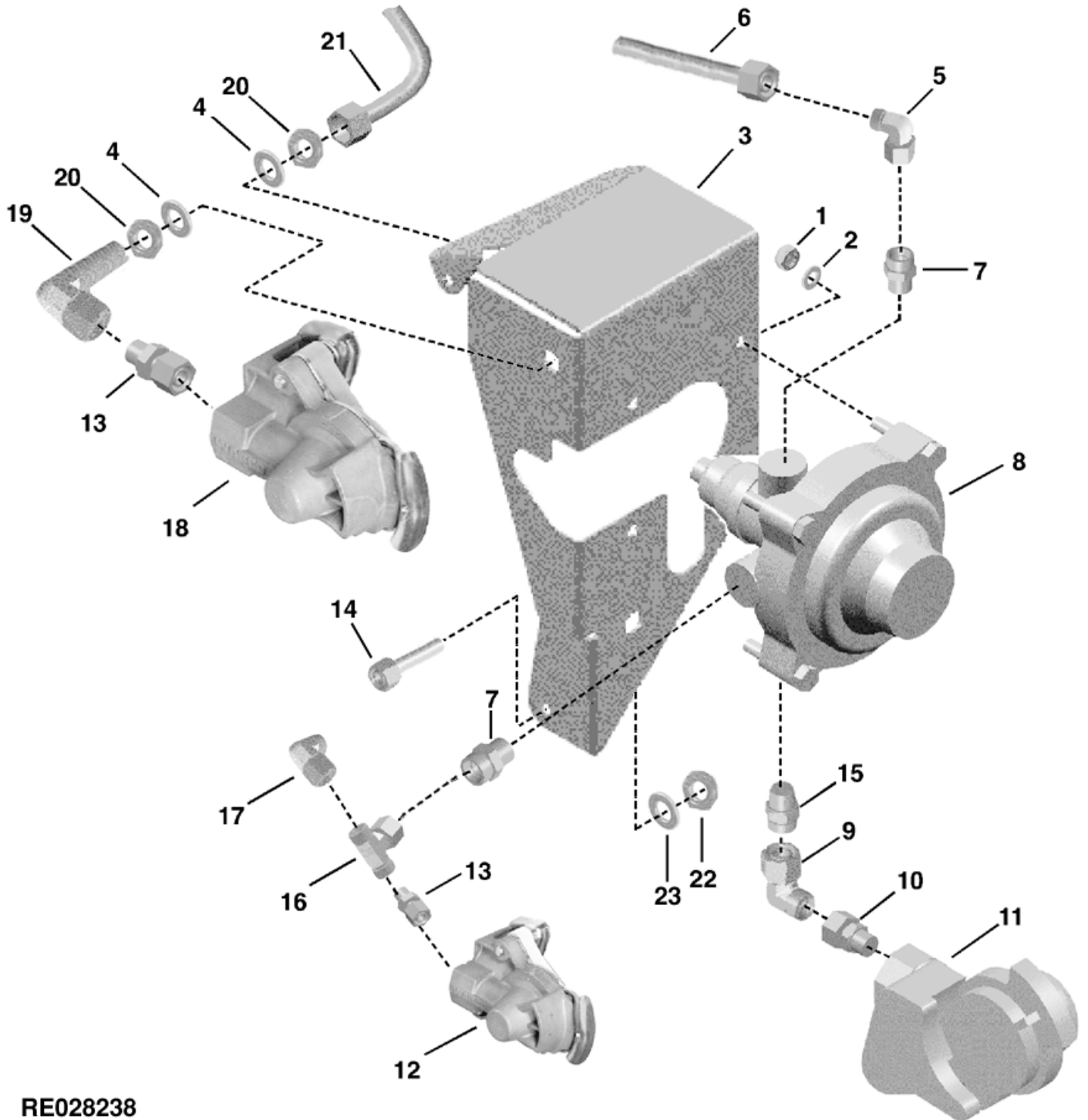
(A) BLACK
NOIR
SCHWARZ
NERO
NEGRO
SVART

(B) YELLOW
JAUNE
GELB
GIALLO
AMARILLO
GUL

(C) RED
ROUGE
ROT
ROSSO
ROJO
ROED

6H16

AIR BRAKE COUPLERS (EUROPEAN VERSION)(8100 012328- ;8200 011934- ;8300 012567- ; 8400 012684-)
FREINS A AIR COMPRIE, RACCORDS (VERSION EUROPEENNE)(81 12328- ;82 11934- ;83 12567- ;84 12684-)
DRUCKLUFTBREMSE, KUPPLUNGEN (EUROPAEISCHE AUSFUEHRUNG)(81 12328- ;82 11934- ;83 12567- ;84 12684-)
FRENO AD ARIA COMPRESSA, RACCORDI (VERSIONE EUROPEA)(81 12328- ;82 11934- ;83 12567- ;84 12684-)
FRENO NEUMATICO, ACOPLADORES (VERSION EUROPEA) (81 12328- ;82 11934- ;83 12567- ;84 12684-)
TRYCKLUFTSBROMS, KOPPLINGAR (EUROPEISK VERSION) (81 12328- ;82 11934- ;83 12567- ;84 12684-)
RE028238 -UN-11SEP97



RE028238

6H17

STEERING AND BRAKES

KEY	PART NO.	PART NAME	QTY	TRACTOR SERIAL NO.	A L L	REMARKS
1	14M7274	NUT	4		X	M10
2	24M7028	WASHER	4		X	10.500 X 20 X 2 MM
3	R125324	SUPPORT	1		X	
4	R63667	WASHER	2		X	
5	RE54579	ELBOW FITTING	1		X	
6	RE150843	HOSE	1		X	
7	RE150839	CONNECTOR	2		X	
8	AL68577	VALVE	1		X	
9	RE54581	ELBOW FITTING	1		X	
10	RE54582	CONNECTOR	1		X	
11	AL68573	HITCH COUPLING	1		X	(A)
12	AL68572	HITCH COUPLING	1		X	(B)
13	RE54583	CONNECTOR	2		X	
14	19M7550	CAP SCREW	2		X	M10 X 35, HS 10.9
15	RE54602	CONNECTOR	1		X	
16	RE54578	TEE FITTING	1		X	
17	RE54579	ELBOW FITTING	2		X	
18	AL68571	HITCH COUPLING	1		X	(C)
19	RE54573	ELBOW FITTING	1		X	
20	14M7209	NUT	2		X	M18
21	RE150842	HOSE	1		X	
22	14M7274	NUT	2		X	M10
23	24M7346	WASHER	4		X	11 X 20 X 2 MM

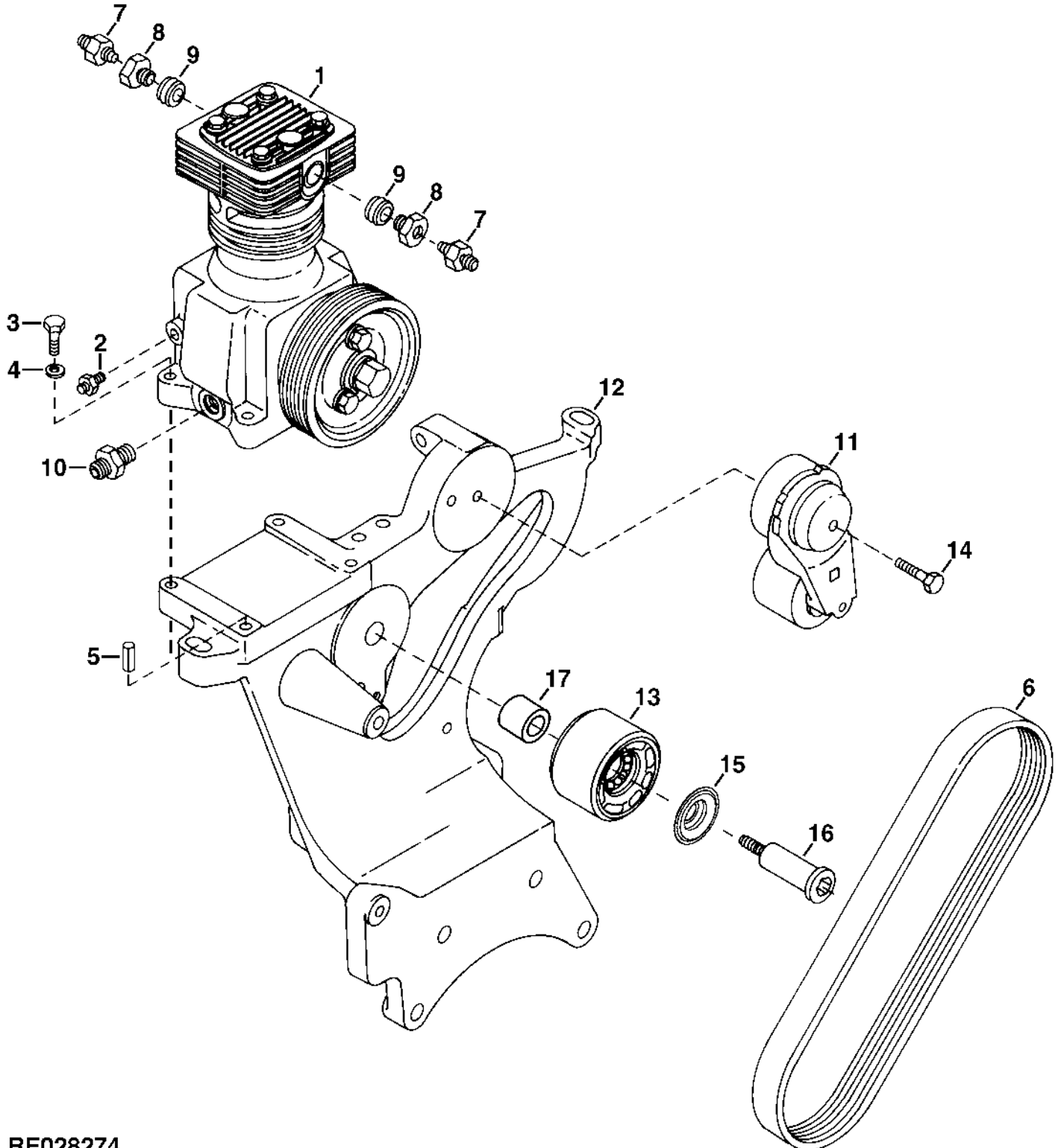
(A) BLACK
NOIR
SCHWARZ
NERO
NEGRO
SVART

(B) YELLOW
JAUNE
GELB
GIALLO
AMARILLO
GUL

(C) RED
ROUGE
ROT
ROSSO
ROJO
ROED

6H18

AIR BRAKE AIR COMPRESSOR (EUROPEAN VERSION)
FREINS A AIR COMPRIME, COMPRESSEUR (VERSION EUROPEENNE)
DRUCKLUFTBREMSE, KOMPRESSOR (EUROPAEISCHE AUSFUEHRUNG)
FRENO AD ARIA COMPRESSA, COMPRESSORE (VERSIONE EUROPEA)
FRENO NEUMATICO, COMPRESOR DE AIRE (VERSION EUROPEA)
TRYCKLUFTSBROMS, KOMPRESSOR (EUROPEISK VERSION)
RE028274 -UN-27AUG97



RE028274

6H19

STEERING AND BRAKES

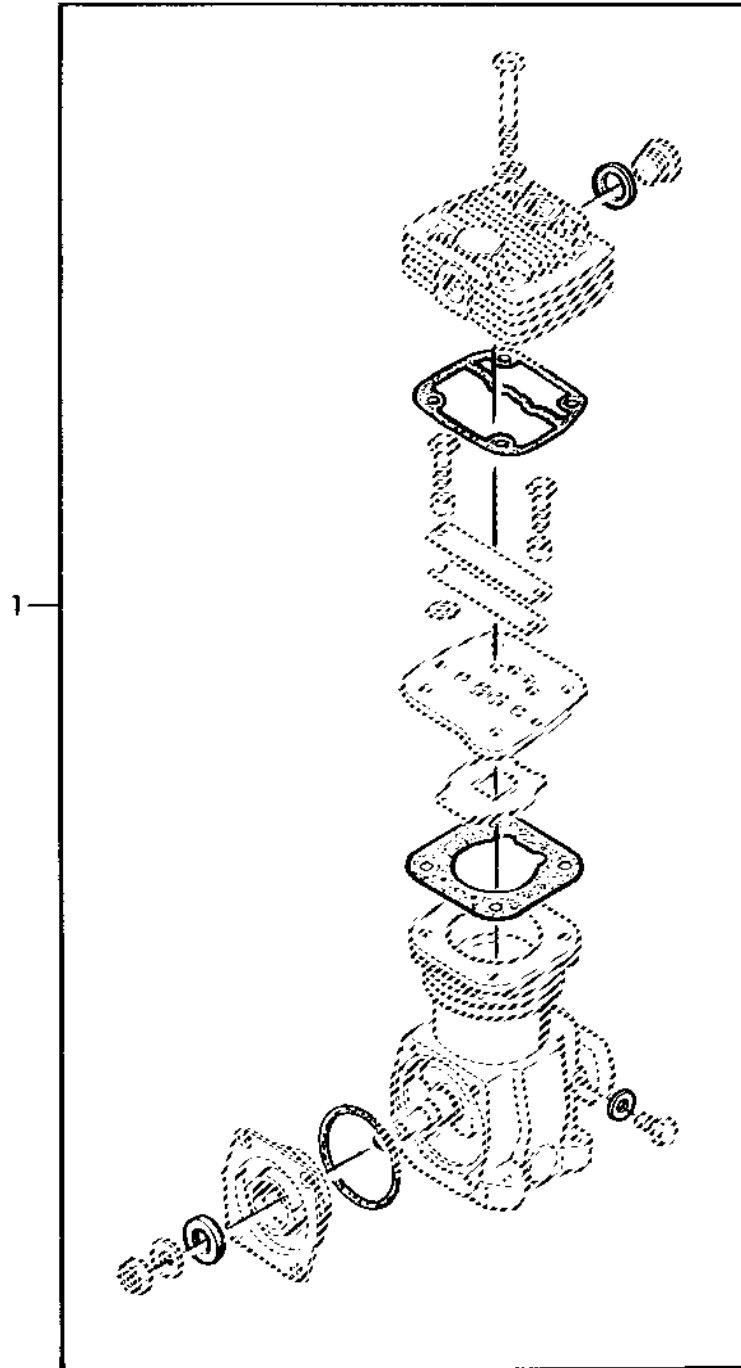
KEY	PART NO.	PART NAME	QTY	TRACTOR SERIAL NO.	A L L	REMARKS
1	RE58386	COMPRESSOR	1		X	
	AL113954	GASKET KIT	1		X	
2	RE54603	CONNECTOR	1		X	
3	19M8300	SCREW	4		X	M8 X 40
4	24M7336	WASHER	4		X	9 X 16 X 1.600 MM
5	34M7189	SPRING PIN	2		X	11 X 8 MM
6	R124786	BELT	1		X	
7	N112193	ADAPTER	2		X	
8	R117153	ADAPTER	2		X	
9	R117307	RING	2		X	
10	RE58382	FITTING	1		X	
11	RE57498	TIGHTENER	1		X	
12	R121379	SUPPORT	1		X	
13	RE68722	PULLEY	1		X	(SUB FOR RE51281)
14	19M7810	SCREW	1		X	M10 X 80, HS 10.9
15	R114837	DUST SHIELD	1		X	
16	R120143	BOLT	1		X	
17	T14386	BUSHING	1		X	

6H20

STEERING AND BRAKES

GASKET KIT FOR AIR COMPRESSOR (TRAILER AIR BRAKE)
JEU DE JOINTS POUR COMPRESSEUR (FREIN PNEUMATIQUE DE REMORQUE)
DICHTUNGSSATZ FÜR LUFTKOMPRESSOR (DRUCKLUFT-ANHAENGERBREMSE)
SERIE GUARNIZIONI PER COMPRESSORE ARIA (FRENATURA PNEUMATICA RIMORCHIO)
JUEGO DE JUNTAS PARA COMPRESOR DE AIRE (FRENO NEUMATICO PARA REMOLQUE)
PACKNINGSSATS FOR LUFTKOMPRESSOR (TRYCKLUFTVAGNSBROMS)

LX016556 -UN-24JUL97



LX016556

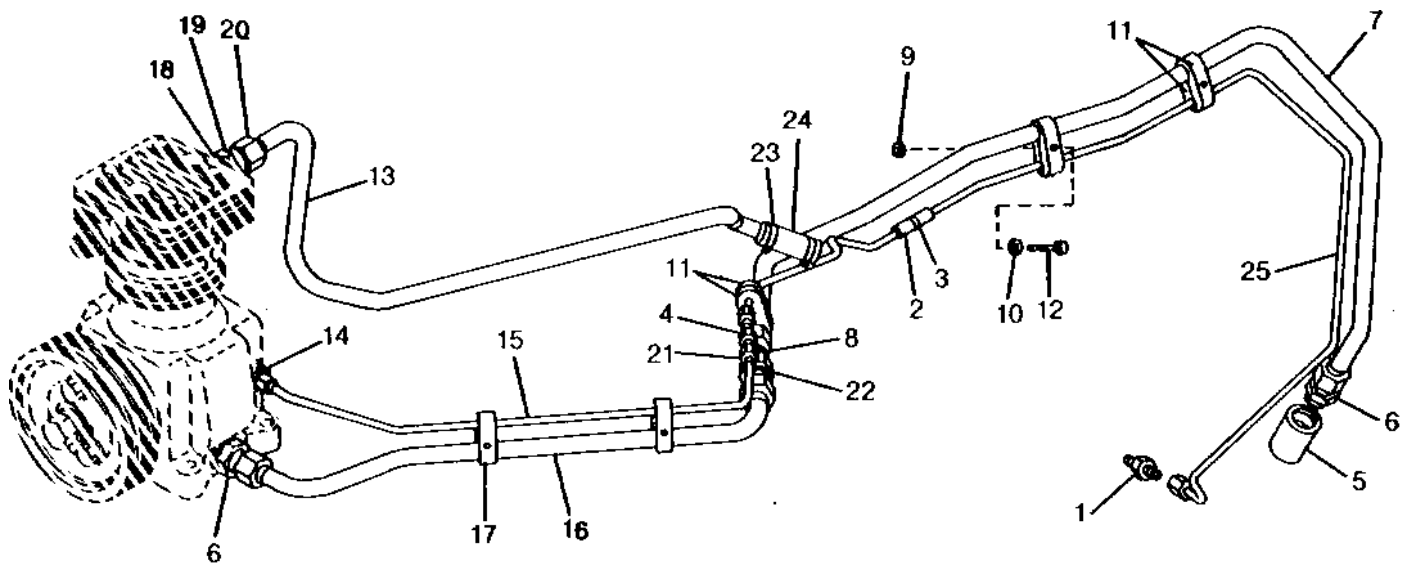
6H21

STEERING AND BRAKES

KEY	PART NO.	PART NAME	QTY	TRACTOR SERIAL NO.	A L L	REMARKS
1	AL113954	GASKET KIT	1		X	

6H22

AIR BRAKE LINES (FRONT) (EUROPEAN VERSION) (8100,8200,8300 -009999)
CONDUITE DE FREIN A AIR COMPRI ME (AVANT) (VERSION EUROPEENNE) (8100,8200,8300 -009999)
DRUCKLUFTBREMSLEITUNG (VORN) (EUROPAEISCHE AUSFUEHRUNG) (8100,8200,8300 -009999)
LINEA DEL FRENO AD ARIA COMPRESSA (ANTERIORE) (VERSIONE EUROPEA) (8100,8200,8300 -009999)
LINEA DE FRENOS NEUMATICOS (FRENTE) (VERSION EUROPEA) (8100,8200,8300 -009999)
TRYCKLUFTSBROMSLEDNING (FRAM) (EUROPEISK VERSION) (8100,8200,8300 -009999)
RXP011238 -UN-01JAN94



RXP011238

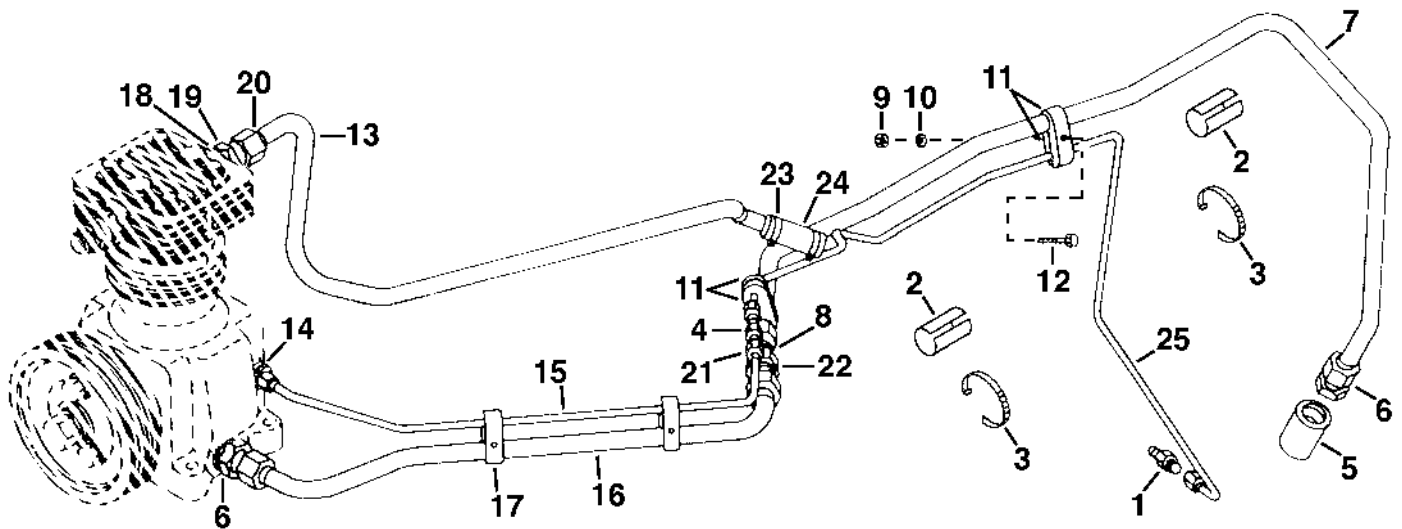
6H23

STEERING AND BRAKES

KEY	PART NO.	PART NAME	QTY	TRACTOR			REMARKS
				SERIAL NO.	8 8 8	1 2 3	
1	R35352	FITTING	1		X X X		
2	H23941	ISOLATOR	1		X X X		
3	R44302	TIE BAND	1		X X X		
4	H33795	UNION FITTING	1		X X X		
5	R121835	ADAPTER	1		X X X		
6	RE58382	FITTING	2		X X X		
7	RE60886	LINE	1		X X X		
8	R35717	FITTING	1		X X X		
9	14M7272	NUT	2		X X X	M6	
10	24M7088	WASHER	2		X X X	6.600 X 12 X 1.600 MM	
11	R122318	CLAMP	4		X X X		
12	19M7833	SCREW	2		X X X	M6 X 35, HS 10.9	
13	RE60872	LINE	1		X X X		
14	RE54603	CONNECTOR	1		X X X		
15	RE60885	LINE	1		X X X		
16	RE60883	LINE	1		X X X		
17	R122318	CLAMP	6		X X X		
	24M7088	WASHER	3		X X X	6.600 X 12 X 1.600 MM	
	14M7272	NUT	3		X X X	M6	
	19M7833	SCREW	3		X X X	M6 X 35, HS 10.9	
18	R117307	RING	1		X X X		
19	R117153	ADAPTER	1		X X X		
20	N112193	ADAPTER	1		X X X		
21	H33795	UNION FITTING	1		X X X		
22	R35717	FITTING	1		X X X		
23	TY22465	CLAMP	2		X X X	(SUB FOR AR21837)	
24	R122611	HOSE	1		X X X		
25	RE60876	LINE	1		X X X		

6H24

AIR BRAKE LINES (FRONT) (EUROPEAN VERSION) (8100,8200,8300 010000- ; 8400 001000-)
CONDUITE DE FREIN A AIR COMPRI ME(AVANT)(VERSION EUROPEENE)(8100,8200,8300 010000- ;8400 001000-)
DRUCKLUFTBREMSLEITUNG (VORN) (EUROPAEISCHE AUSFUEHRUNG) 8100,8200,8300 010000- ;8400 001000-)
LINEA DEL FRENO AD ARIA COMPRESSA(ANTERIORE)(VERSIONE EUROPEA)8100,8200,8300 010000- ;8400 001000-)
LINEA DE FRENOS NEUMATICOS (FRENTE) (VERSIONE EUROPEA) (8100,8200,8300 010000- ;8400 001000-)
TRYCKLUFTSBROMSLEDNING (FRAM) (EUROPEISK VERSION) 8100,8200,8300 010000- ; 8400 001000-)
RE026982 -UN-21JUN96



RE026982

6H25

STEERING AND BRAKES

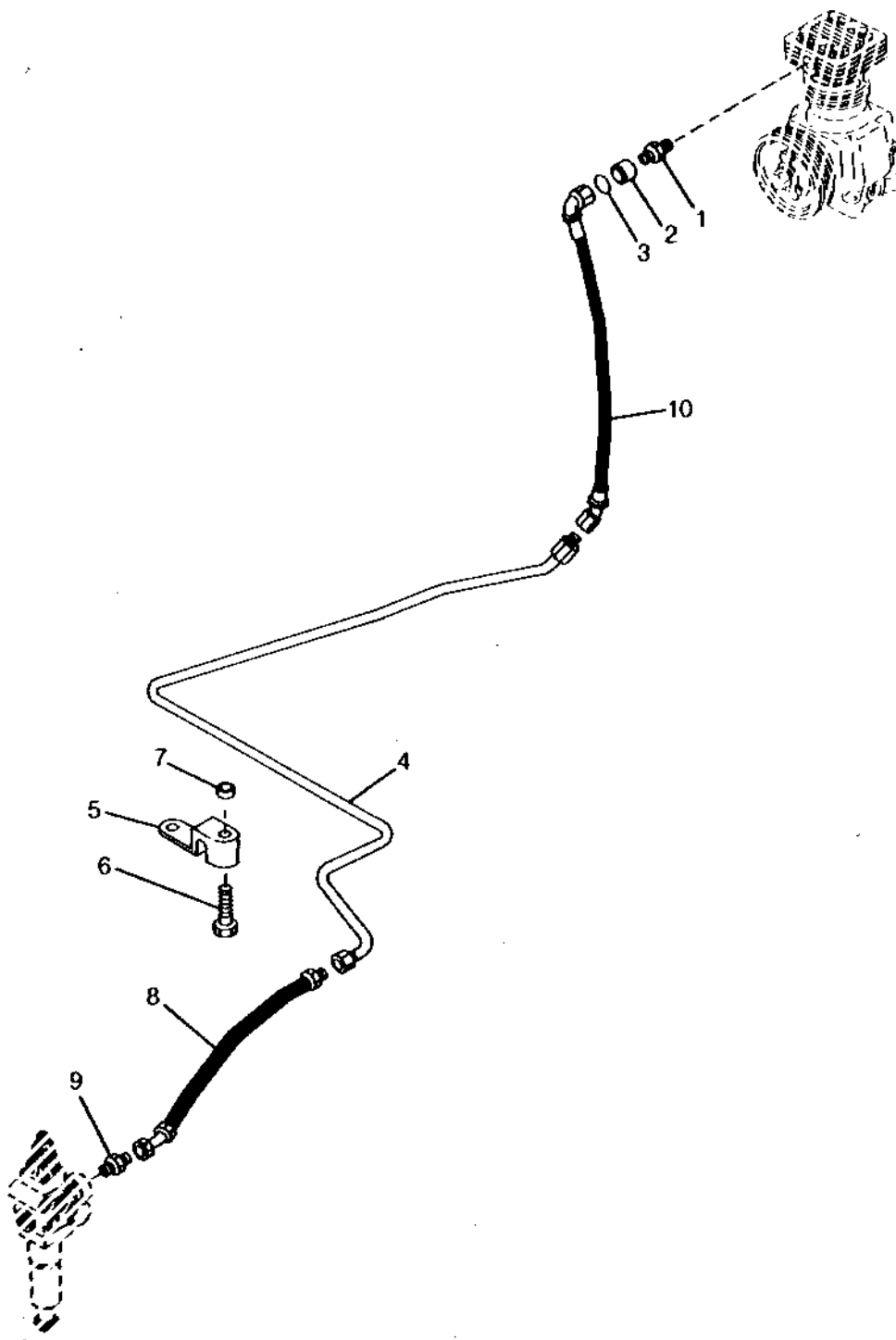
KEY	PART NO.	PART NAME	QTY	TRACTOR SERIAL NO.	A L L	REMARKS
1	R35352	FITTING	1		X	
2	H23941	ISOLATOR	2		X	
3	R44302	TIE BAND	2		X	
4	H33795	UNION FITTING	1		X	
5	R121835	ADAPTER	1		X	
6	RE58382	FITTING	2		X	
7	RE60886	LINE	1		X	(B)
8	R35717	FITTING	1		X	
9	14M7272	NUT	2		X	M6
10	24M7088	WASHER	2		X	6.600 X 12 X 1.600 MM
11	R122318	CLAMP	4		X	
12	19M7833	SCREW	2		X	M6 X 35, HS 10.9
13	RE60872	LINE	1		X	
14	RE54603	CONNECTOR	1		X	
15	RE60885	LINE	1		X	
16	RE60883	LINE	1		X	
17	R122318	CLAMP	4		X	
	24M7088	WASHER	2		X	6.600 X 12 X 1.600 MM
	14M7272	NUT	2		X	M6
	19M7833	SCREW	2		X	M6 X 35, HS 10.9
18	R117307	RING	1		X	
19	R117153	ADAPTER	1		X	
20	N112193	ADAPTER	1		X	
21	H33795	UNION FITTING	1		X	
22	R35717	FITTING	1		X	
23	TY22465	CLAMP	2		X	(SUB FOR AR21837)
24	R122611	HOSE	1		X	(SUB FOR RE61919)
25	RE153099	LINE	1		X	(A)
26	H23941	ISOLATOR	1		X	

(A) PRESSURE
PRESSION
DRUCK
PRESSIONE
PRESION
TRYCK

(B) RETURN
RETOUR
RUECKLAUF
RETORNO
RITORNO
RETUR

AIR BRAKE LINES (REAR) (EUROPEAN VERSION) (8100,8200,8300,8400 -009999)
 CONDUITE DE FREIN A AIR COMPRIE (ARRIERE) (VERSION EUROPEENNE) (8100,8200,8300,8400 -009999)
 DRUCKLUFTBREMSLEITUNG (HINTEN) (EUROPAEISCHE AUSFUEHRUNG) (8100,8200,8300,8400 -009999)
 LINEA DEL FRENO AD ARIA COMPRESSA (POSTERIORE) (VERSIONE EUROPEA) (8100,8200,8300,8400 -009999)
 LINEA DE FRENOS NEUMATICOS (TRASERO) (VERSION EUROPEA) (8100,8200,8300,8400 -009999)
 TRYCKLUFTSBROMSLEDNING (BAK) (EUROPEISK VERSION) (8100,8200,8300,8400 -009999)

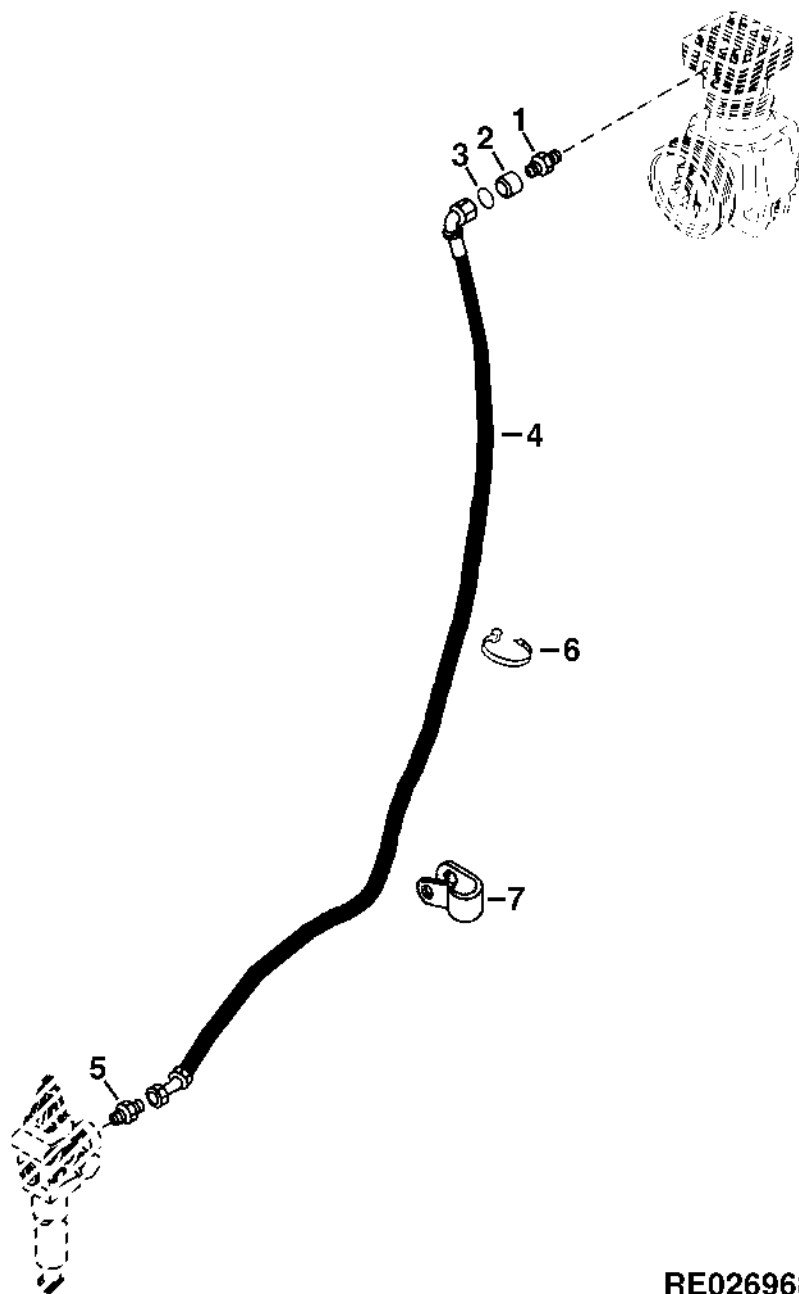
RXP011240 -UN-01JAN94



RXP011240

KEY	PART NO.	PART NAME	QTY	TRACTOR SERIAL NO.	A	REMARKS
					L L	
1	N112193	ADAPTER	1		X	
2	R117153	ADAPTER	1		X	
3	R117307	RING	1		X	
4	RE60889	LINE	1		X	
5	H112162	CLAMP	1		X	
6	37M7103	SCREW	1		X	M8 X 45
7	T131169	SPACER	1		X	
8	RE66566	HOSE	1		X	(SUB FOR RE60932)
9	RE58382	FITTING	1		X	
10	RE60937	HOSE	1		X	

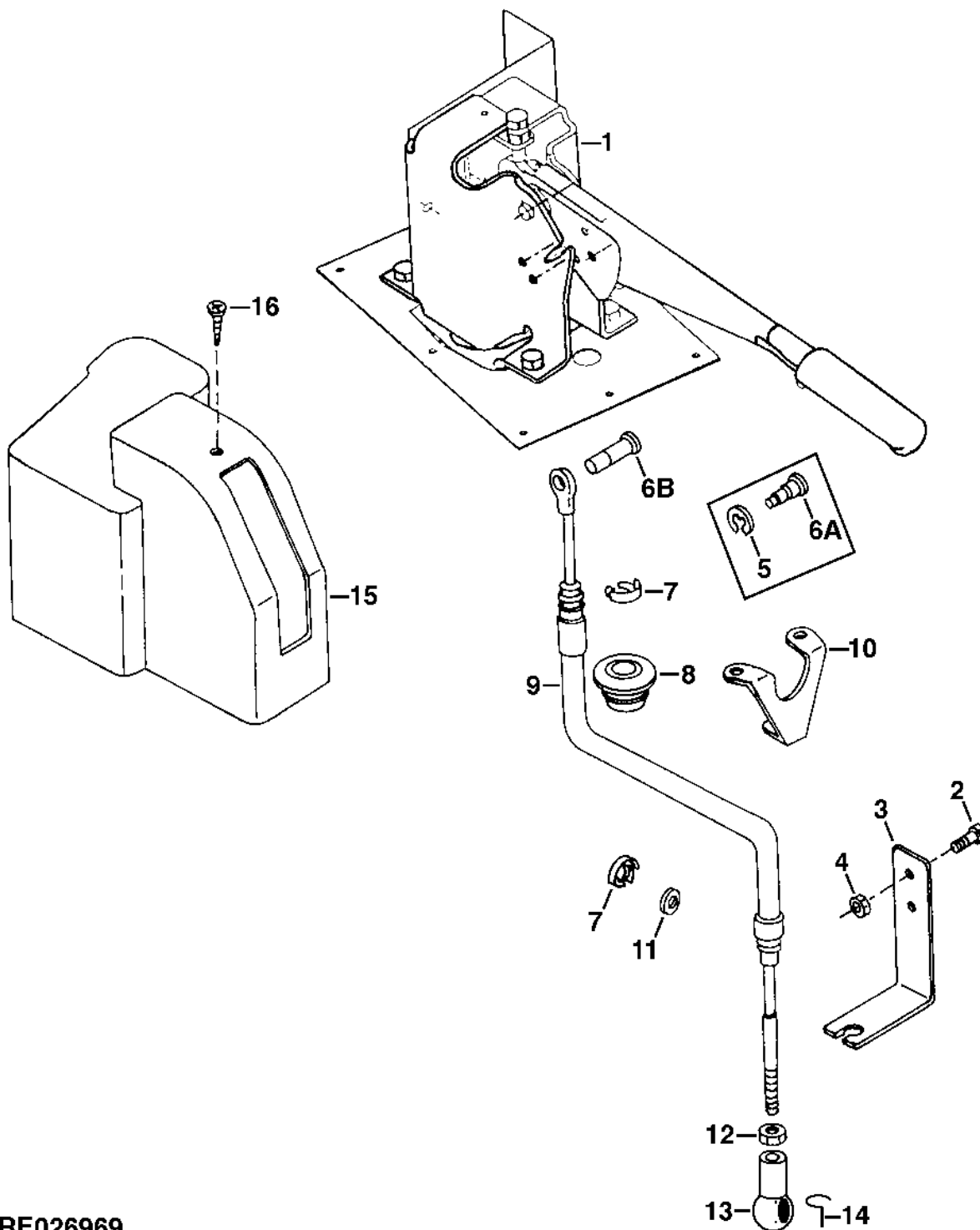
AIR BRAKE LINE (REAR) (EUROPEAN VERSION) (8100,8200,8300,8400 010000-)
 CONDUITE DE FREIN A AIR COMPRIE (ARRIERE) (VERSION EUROPEENNE) (8100,8200,8300,8400 010000-)
 DRUCKLUFTBREMSLEITUNG (HINTEN) (EUROPAEISCHE AUSFUEHRUNG) (8100,8200,8300,8400 010000-)
 LINEA DEL FRENO AD ARIA COMPRESSA (POSTERIORE) (VERSIONE EUROPEA) (8100,8200,8300,8400 010000-)
 LINEA DE FRENOS NEUMATICOS (TRASERO) (VERSION EUROPEA) (8100,8200,8300,8400 010000-)
 TRYCKLUFTSBROMSLEDNING (BAK) (EUROPEISK VERSION) (8100,8200,8300,8400 010000-)
 RE026968 -UN-19JUN96



RE026968

KEY	PART NO.	PART NAME	QTY	TRACTOR SERIAL NO.	A L L	REMARKS
1	N112193	ADAPTER	1		X	
2	R117153	ADAPTER	1		X	
3	R117307	RING	1		X	
4	RE68214	HOSE	1		X	
5	RE58382	FITTING	1		X	
6	R44302	TIE BAND	AR		X	
7	R46414	CLAMP	1		X	

AIR BRAKE CABLE (EUROPEAN VERSION)
 CABLE DE FREIN A AIR COMPRIE (VERSION EUROPEENNE)
 DRUCKLUFTBREMSKABEL (EUROPAEISCHE AUSFUEHRUNG)
 CAVO DEL FRENO AD ARIA COMPRESSA (VERSIONE EUROPEA)
 CABLE DE FRENOS NEUMATICOS (VERSION EUROPEA)
 TRYCKLUFTSBROMSKABEL (EUROPEISK VERSION)
 RE026969 -UN-31MAY96



RE026969

KEY	PART NO.	PART NAME	QTY	TRACTOR SERIAL NO.	A L L	REMARKS
1	RE62250	LEVER	1		X	(SUB RE63888)
2	19M7163	CAP SCREW	1	-XXXXXX	X	(A) M8 X 25
3	R121260	ANGLE	1	-XXXXXX	X	(A)
4	14M7273	NUT	1	-XXXXXX	X	(A) M8
5	R72655	SNAP RING	1	-XXXXXX	X	
	40M7041	SNAP RING	1	XXXXXX-009999	X	
6A	R124493	PIN	1	-XXXXXX	X	(SUB L79404)
	R127179	PIN	1	XXXXXX-009999	X	(SUB L79404)
6B	R135786	PIN	1	010000-	X	(SUB R133546)
7	R112612	CLIP	2		X	
8	L76801	GROMMET	1	-009999	X	(SUB FOR L76711)
9	RE60898	PUSH PULL CABLE	1	-009999	X	
	RE68777	PUSH PULL CABLE	1	010000-	X	
10	R107455	BRACKET	1	-009999	X	
11	24H1363	WASHER	1		X	41/64" X 1-1/16" X 0.105"
12	14M7274	NUT	4		X	M10
13	56M7006	BALL JOINT SOCKET	1		X	
14	56M7007	BALL JOINT RETAINER	1		X	
15	R124338	COVER	1		X	
16	37M7090	SCREW	1		X	M6 X 16

(A) (-XXXXXX) 8100-012327; 8200-011933; 8300-012566; 8400-012683

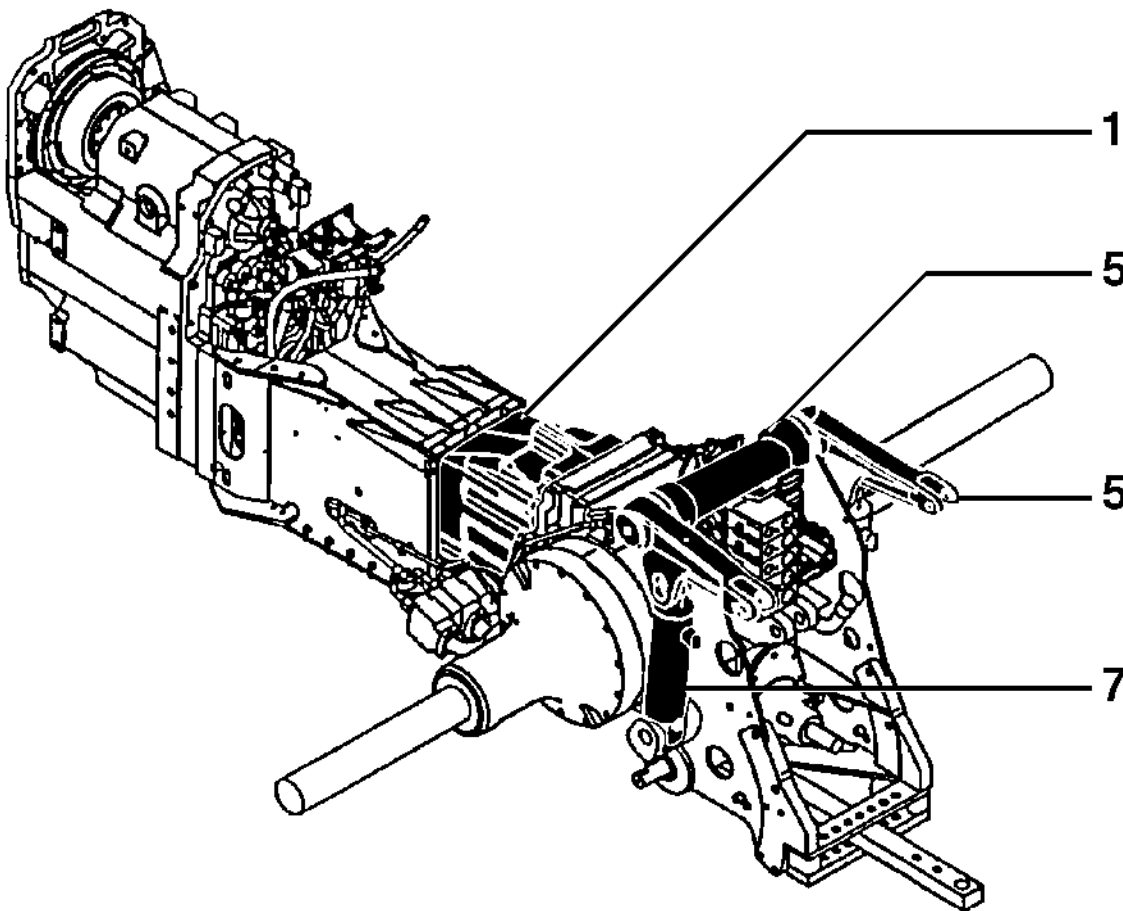
MEMORANDA
MEMORANDA
MEMORANDA
MEMORANDA
MEMORANDA

7D5

SECTIONAL INDEX
INDEX DE SECTION
GRUPPENINDEX
INDICE DELLA SEZIONE
INDICE DE SECCION
GRUPPSFORTECKNING

RE029166 -UN-10MAY99

1-	7D10
2-	7D14
3-	7E1
4-	7E6
5-	7E8
6-	7E12
7-	7E14
8-	7F5
9-	7F7
10-	7F9
11-	7F11
12-	7F17
13-	7F23
14-	7G3
15-	7G23
16-	7H3
17-	7H19



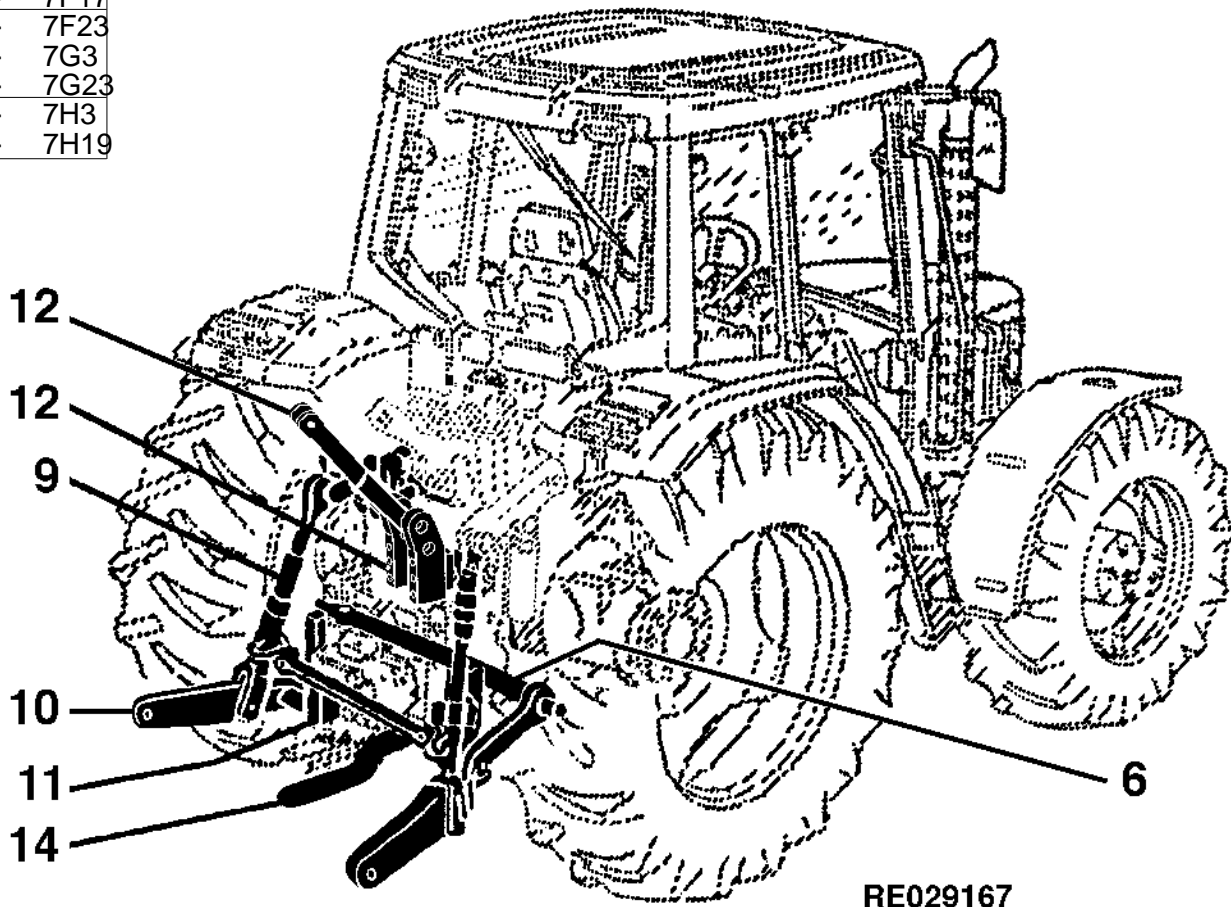
RE029166

7D6

SECTIONAL INDEX
INDEX DE SECTION
GRUPPENINDEX
SECTIONAL INDEX
INDICE DE SECCION
GRUPPSFORTECKNING

RE029167 -UN-10MAY99

1-	7D10
2-	7D14
3-	7E1
4-	7E6
5-	7E8
6-	7E12
7-	7E14
8-	7F5
9-	7F7
10-	7F9
11-	7F11
12-	7F17
13-	7F23
14-	7G3
15-	7G23
16-	7H3
17-	7H19



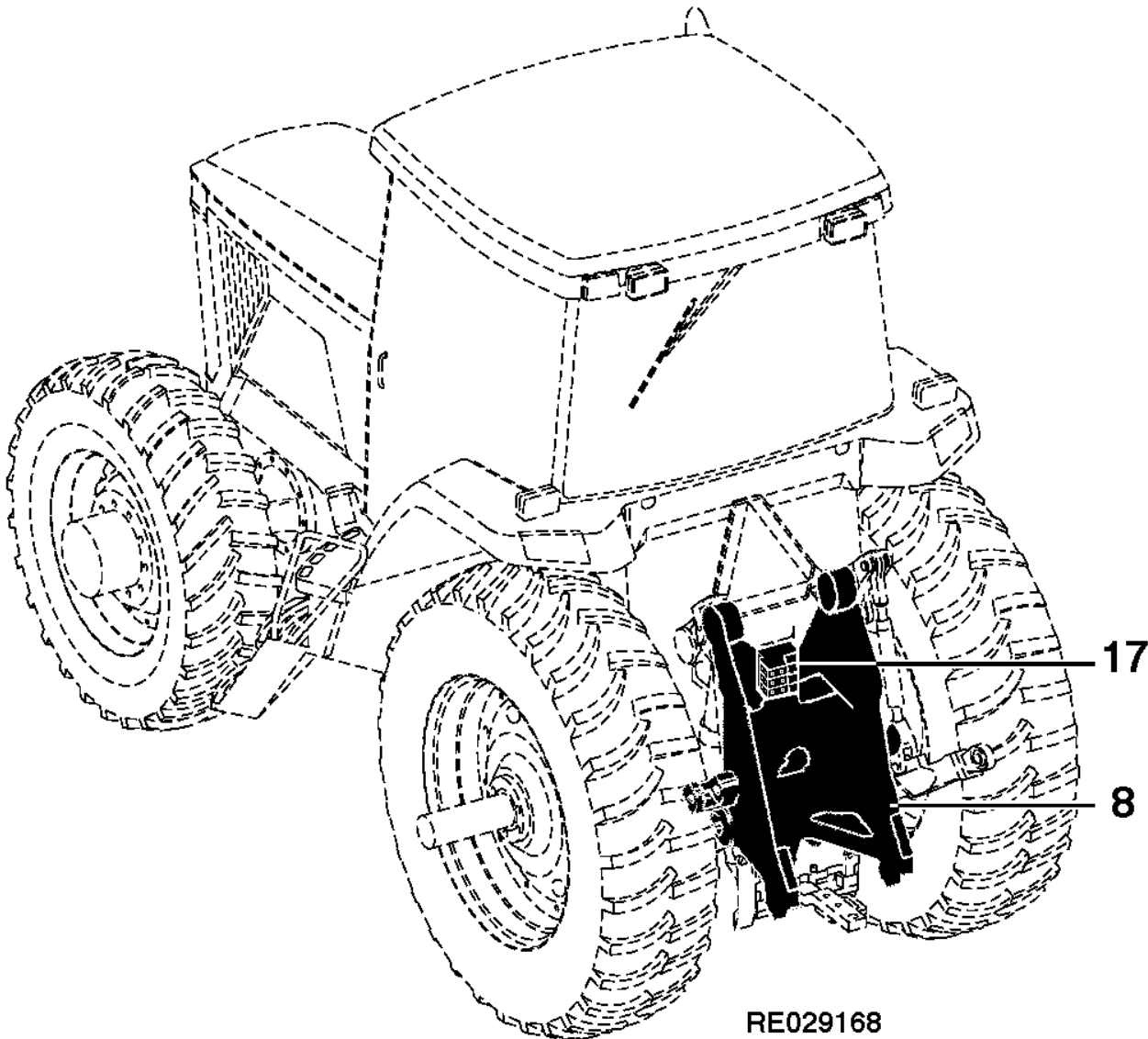
7D7

HYDRAULICS

SECTIONAL INDEX
INDEX DE SECTION
GRUPPENINDEX
SECTIONAL INDEX
INDICE DE SECCION
GRUPPSFORTECKNING

RE029168 -UN-10MAY99

1-	7D10
2-	7D14
3-	7E1
4-	7E6
5-	7E8
6-	7E12
7-	7E14
8-	7F5
9-	7F7
10-	7F9
11-	7F11
12-	7F17
13-	7F23
14-	7G3
15-	7G23
16-	7H3
17-	7H19

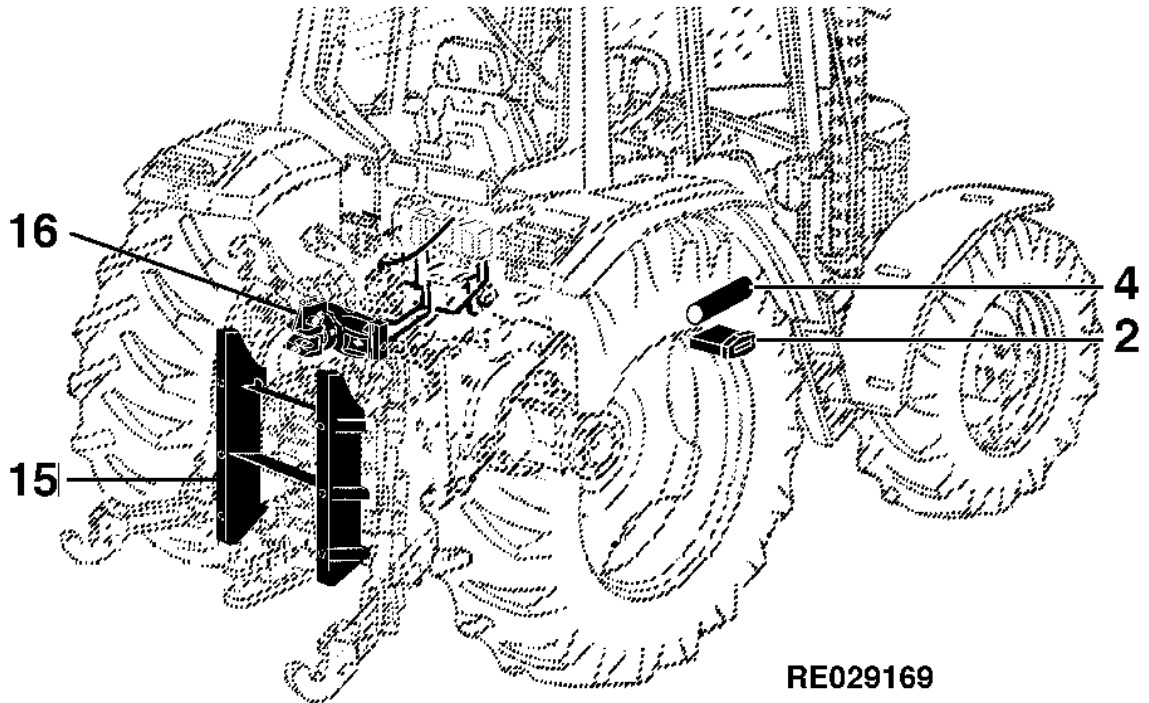
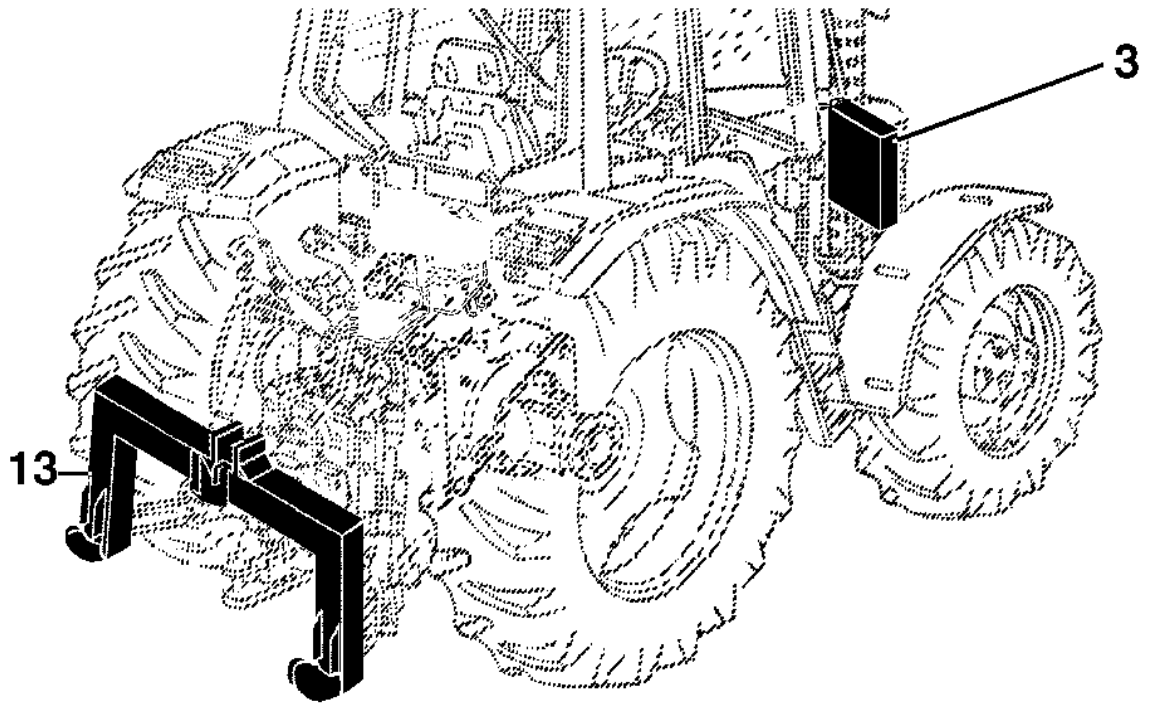


7D8

SECTIONAL INDEX
INDEX DE SECTION
GRUPPENINDEX
SECTIONAL INDEX
INDICE DE SECCION
GRUPPSFORTECKNING

RE029169 -UN-10MAY99

1-	7D10
2-	7D14
3-	7E1
4-	7E6
5-	7E8
6-	7E12
7-	7E14
8-	7F5
9-	7F7
10-	7F9
11-	7F11
12-	7F17
13-	7F23
14-	7G3
15-	7G23
16-	7H3
17-	7H19



RE029169

TRANSMISSION AND HYDRAULIC OIL
 HUILE DE TRANSMISSION ET HUILE HYDRAULIQUE
 GETRIEBE- UND HYDRAULIK-OEL
 OLIO PER TRASMISSIONE E IDRAULICO
 ACEITE DE TRANSMISION E HIDRAULICO
 VAEXELLAADS- OCH HYDRAULOLJA
 RE026740 -UN-20FEB96



RE026740

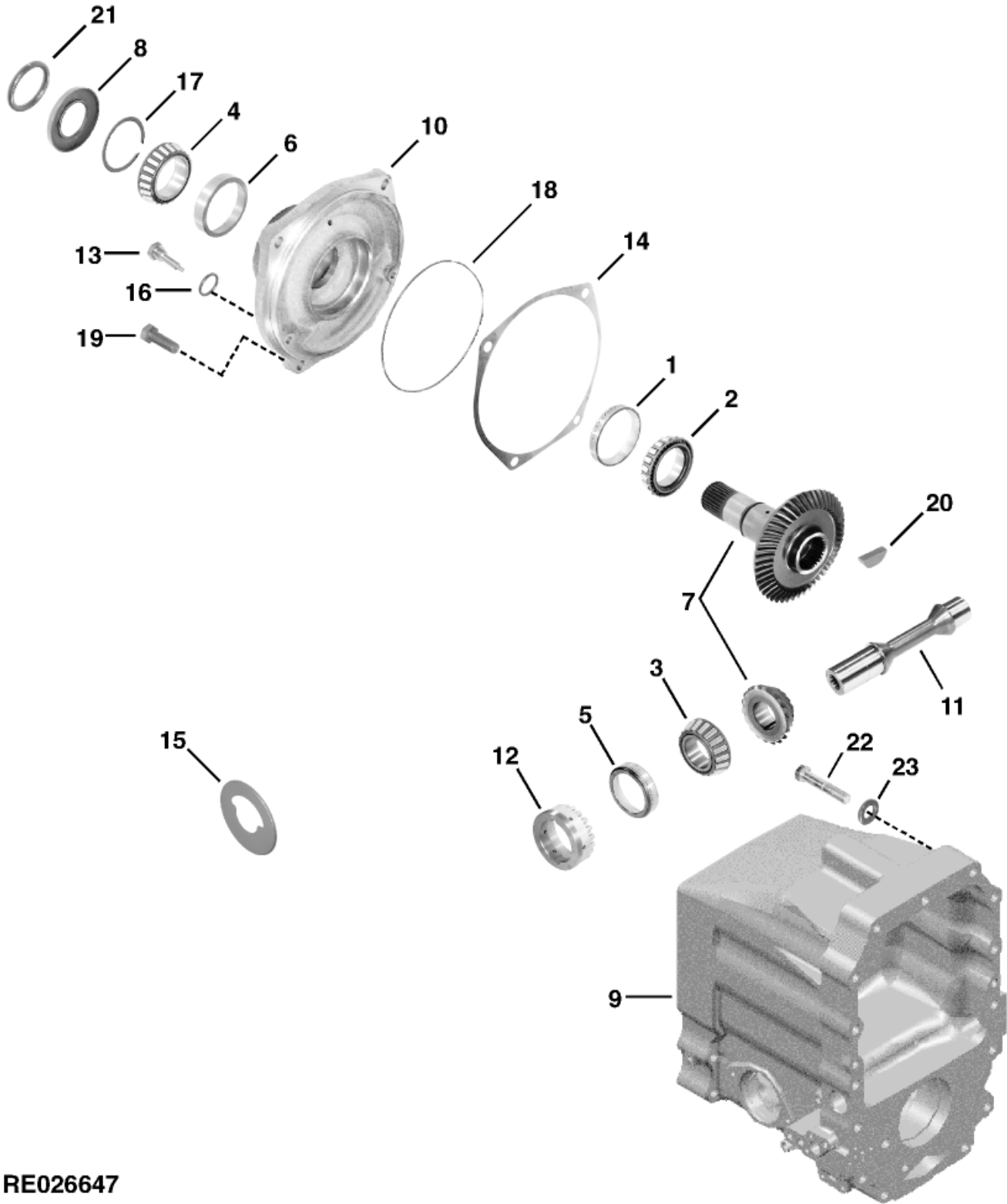


KEY	PART NO.	PART NAME	QTY	TRACTOR SERIAL NO.	A	REMARKS
					L	
1	AR69444	HY-GARD	1		X	19 L (5 GAL)
	AR69445	HY-GARD	1		X	208 L (55 GAL)
2	TY22043	OIL	1		X	(1 GAL.)
	TY22044	OIL	1		X	19 L (5 GAL.)
	TY22063	OIL	1		X	208 L (55 GAL.)

7D10

HYDRAULICS

HYDRAULIC PUMP DRIVE
ELEMENTS D'ENTRAINEMENT DE LA POMPE HYDRAULIQUE
ANTRIEBSTEILE FUER HYDRALIKPUMPE
COMANDO PER POMPA IDRAULICA
MANDOS DE LA BOMBA HIDRAULICA
DRIVNING FOR HYDRAULPUMP
RE026647 -UN-08DEC95



RE026647

7D11

HYDRAULICS

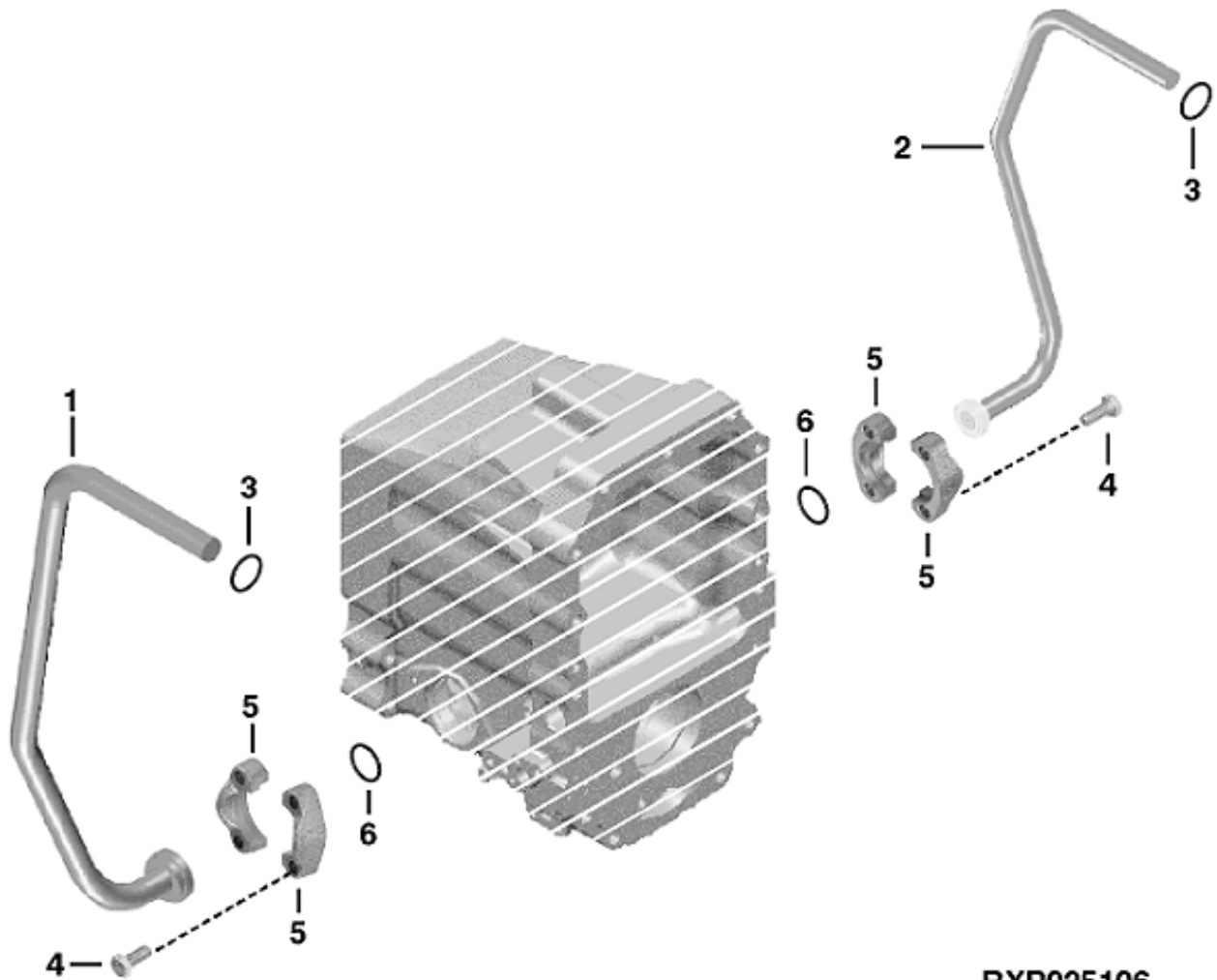
KEY	PART NO.	PART NAME	QTY	AXLE SERIAL NO.	A L L	REMARKS
1	JD7425	BEARING CUP	1		X	
2	RE62066	BEARING CONE	1		X	(SUB FOR JD8147, THIS APPLICATION)
3	JD9043	BEARING CONE	2		X	
4	JD9049	BEARING CONE	1		X	
5	JD9109	BEARING CUP	2		X	
6	JD9114	BEARING CUP	1		X	
7	RE50178	GEAR	1		X	
8	RE52341	SEAL	1	-009985	X	(SUB RE151144, THIS APPLICATION)
	RE151144	SEAL	1	009986-	X	(SUB FOR RE64427)
9	RE164598	HOUSING	1		X	(SUB FOR R122901)
10	R122903	QUILL	1		X	
11	R122902	SHAFT	1		X	
12	R113445	QUILL	2		X	
13	R113555	PLUG	2		X	
14	RE57520	KIT	3		X	(A)
15	24M7242	WASHER	15		X	21.400 X 42 X 5 MM
16	51M7041	O-RING	2		X	11.300 X 2.200 MM
17	R64234	SNAP RING	1		X	
	R64235	SNAP RING	1		X	
	R64236	SNAP RING	1		X	
	R64237	SNAP RING	1		X	
	T49616	SNAP RING	1		X	
18	U42016	O-RING	1		X	
19	R153676	SCREW	4		X	HS 10.9
20	26H85	SHAFT KEY	1		X	1/4" X 1"
21	T121280	SEAL	1		X	
22	19M7969	CAP SCREW	14		X	M20 X 110, HS 10.9
	19M8389	CAP SCREW	1		X	M20 X 280, HS 10.9

(A) SHIM
 CALE D'EPaisseur
 DISTANZSCHEIBE
 SPESSORE
 SUPLEMENTO
 SHIMS

7D12

HYDRAULICS

PUMP DRIVE LINES
POMPE, CONDUITES D'ENTRAINEMENT
PUMPE, ANTRIEBSLEITUNGEN
LINEE DI COMANDO DELLA POMPA
LINEAS DE MANDO DE LA BOMBA
PUMP, DRIVLEDNINGAR
RXP025106 -UN-01JAN94



7D13

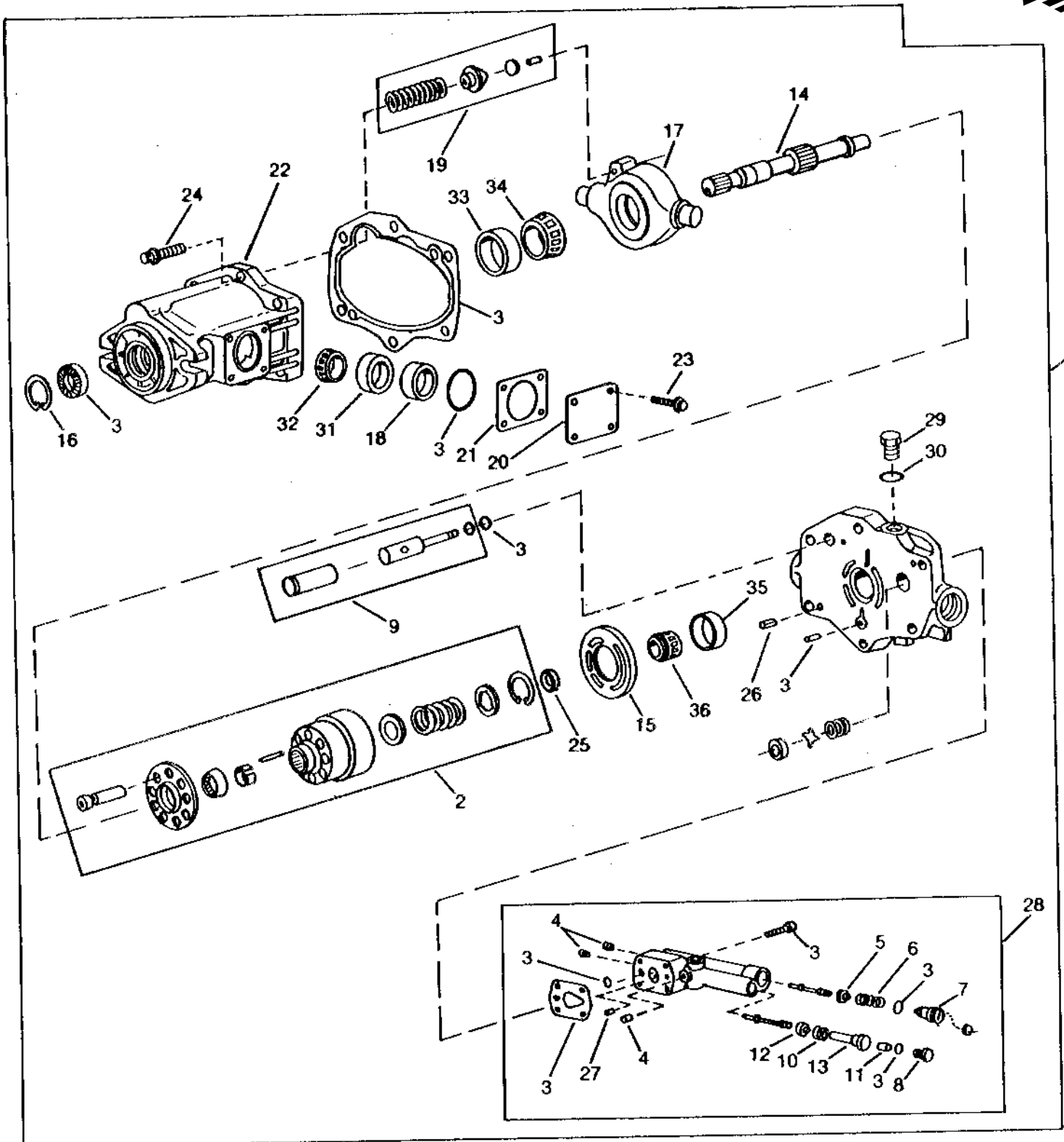
HYDRAULICS

KEY	PART NO.	PART NAME	QTY	TRACTOR SERIAL NO.	A L L	REMARKS
1	RE50172	OIL TUBE	1		X	
2	RE50173	OIL TUBE	1		X	
3	R495R	O-RING	2		X	
4	R153676	SCREW	8		X	HS 10.9
5	H61354	FLANGE FITTING	4		X	
6	T78313	O-RING	2		X	

7D14

HYDRAULICS

HYDRAULIC PUMP (45 CM3 (2.75 IN.3))
POMPE HYDRAULIQUE (45 CM3 (2.75 IN.3))
HYDRAULIKPUMPE (45 CM3 (2.75 IN.3))
POMPE IDRAULICA (45 CM3 (2.75 IN.3))
BOMBA HIDRAULICA (45 CM3 (2.75 IN.3))
HYDRAULPUMP (45 CM3 (2.75 IN.3))
RXP020023 -UN-01JAN94



RXP020023

7D15

HYDRAULICS

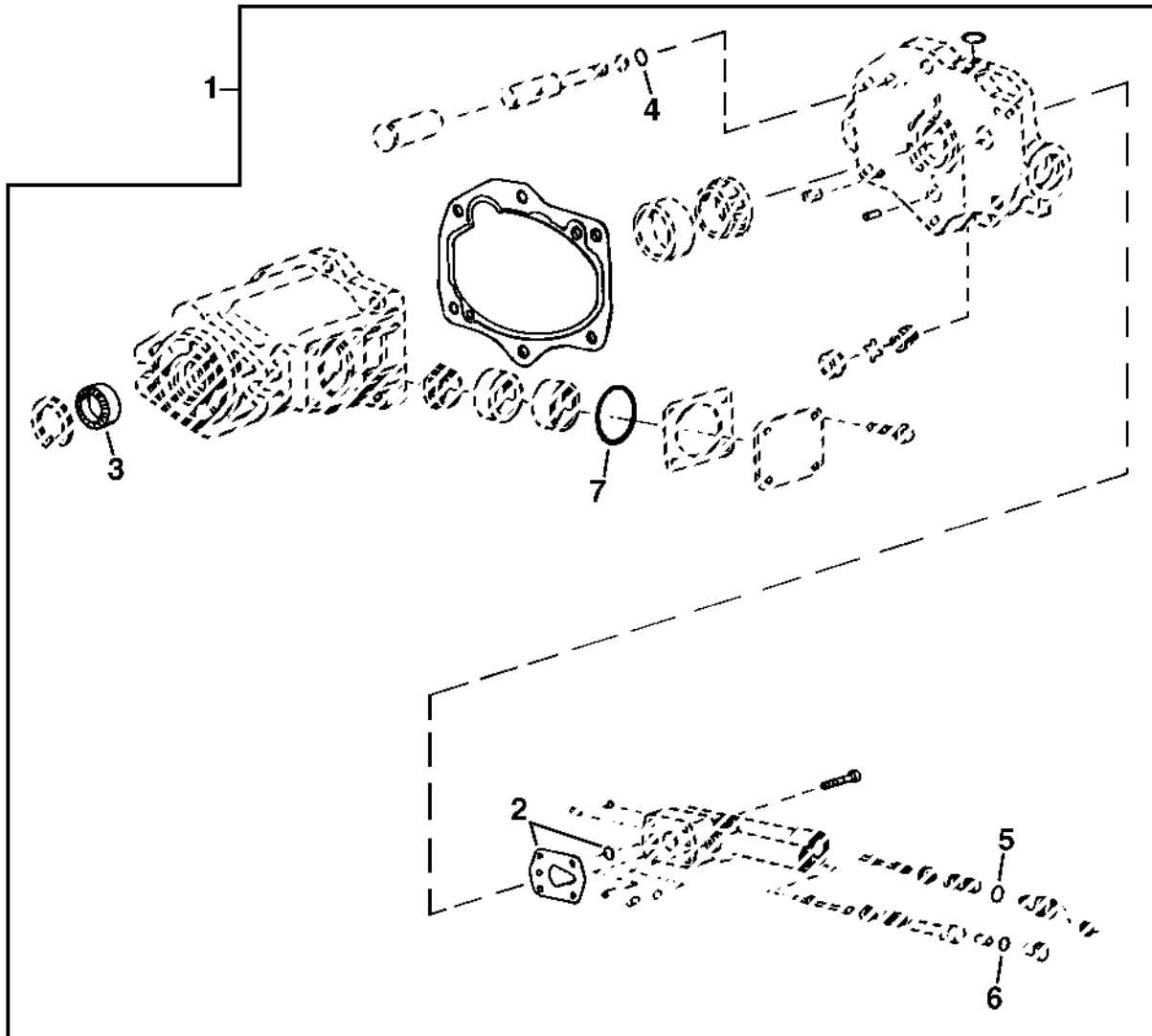
KEY	PART NO.	PART NAME	QTY	PUMP SERIAL NO.	A L L	REMARKS
1	RE60267	PUMP	1		X	
2	RE60275	PUMP	1		X	
3	KIT	1		X	(ORDER RE43836)
4	R107795	PLUG	3		X	
5	R107796	SEAT	1		X	
6	R107797	SPRING	1		X	
7	R107798	PLUG	1		X	
8	R107799	PLUG	1		X	
9	RE43837	PISTON REPLACEMENT KIT	1		X	(SUB RE67354)
10	R107800	SPRING	1		X	
11	R107801	SCREW	1		X	
12	R107802	SEAT	1		X	
13	R107803	SEAT	1		X	
14	R123962	SHAFT	1		X	
15	R123963	PLATE	1		X	
16	R107810	SNAP RING	1		X	
17	R107811	YOKE	1		X	
18	R107814	SPACER	2		X	
19	RE49136	KIT	1		X	
20	R107816	COVER	2		X	
21	RE52579	SHIM KIT	1		X	(A)
22	R107818	HOUSING	1		X	
23	R108015	CAP SCREW	8		X	
24	R108016	BOLT	6		X	
25	RE52580	KIT	1		X	
26	R108019	SPRING PIN	2		X	
27	RE46648	CHECK VALVE	1		X	
28	RE60276	COMPENSATOR	1		X	
29	RE46684	PLUG	1		X	
30	51M7041	O-RING	1		X	11.300 X 2.200 MM
31	JD8253	BEARING CUP	2		X	
32	JD8935	BEARING CONE	2		X	
33	JD7449	BEARING CUP	1		X	
34	JD8118	BEARING CONE	1		X	
35	JD8239	BEARING CUP	1		X	
36	JD8905	BEARING CONE	1		X	

(A) SHIM
 CALE D'EPaisseur
 DISTANZSCHEIBE
 SPESSORE
 SUPLEMENTO
 SHIMS

7D16

HYDRAULICS

HYDRAULIC PUMP SEAL KIT (45 CM3 (2.75 IN3))
JEU DE JOINTS D-ETANCHEITE DE LA POMPE HYDRAULIQUE (45 CM3 (2.75 IN3))
HYDRAULIKPUMPEN-DICHTRINGSATZ (45 CM3 (2.75 IN3))
KIT DI TENUTA DELLA POMPA IDRAULICA (45 CM3 (2.75 IN3))
JUEGO DE SELLOS DE LA BOMBA HIDRAULICA (45 CM3 (2.75 IN3))
TAETNINGSSATS FOER HYDRAULPUMP (45 CM3 (2.75 IN3))
RE026741 -UN-14MAY96



RE026741

7D17

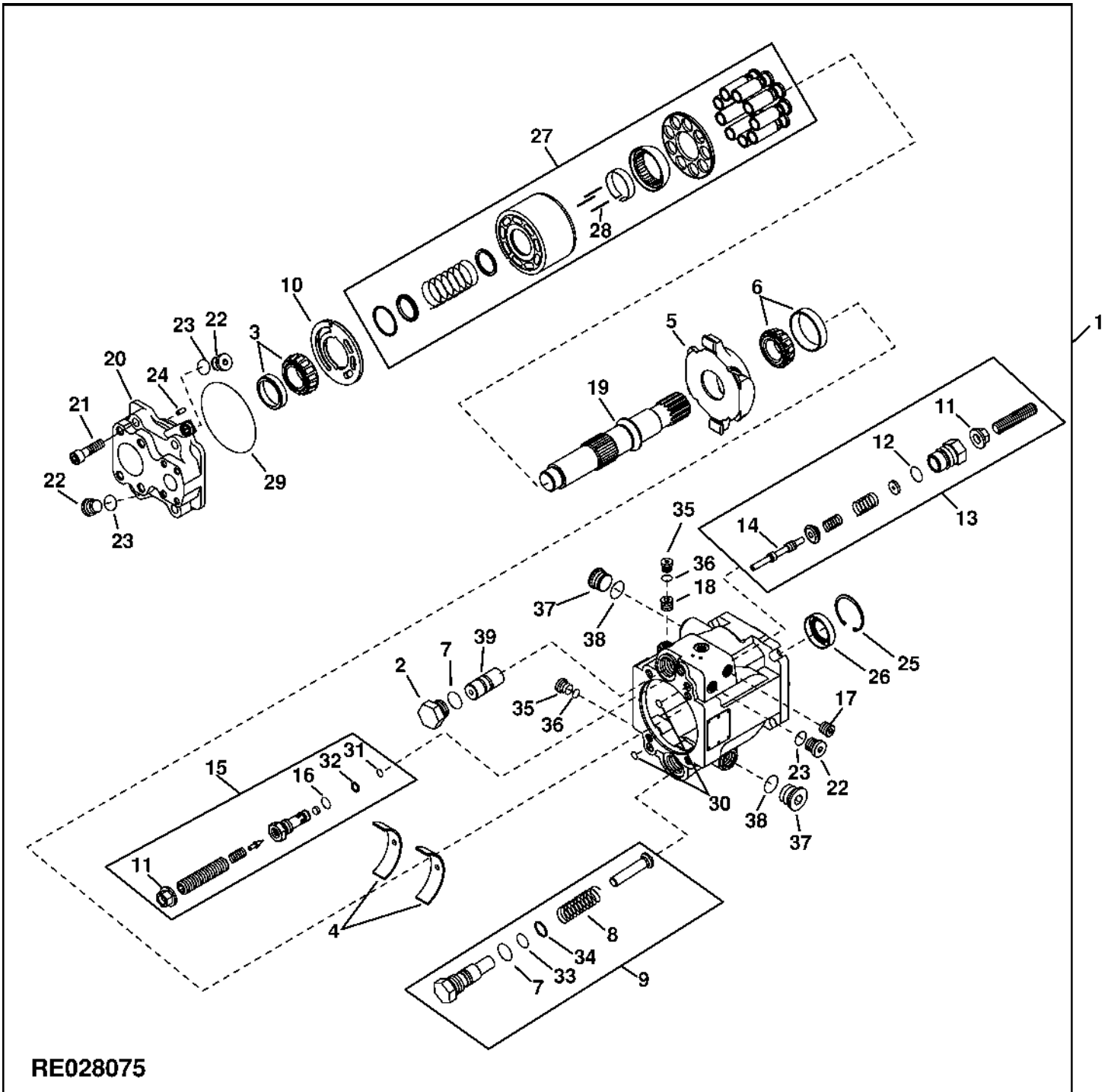
HYDRAULICS

KEY	PART NO.	PART NAME	QTY	PUMP SERIAL NO.	A L L	REMARKS
1	RE43836	SEAL KIT	1		X	
2	RE66529	GASKET	1		X	
3	R131148	SEAL	1		X	
4	R131149	O-RING	1		X	
5	L60365	O-RING	1		X	
6	R26286	O-RING	1		X	
7	U40708	O-RING	1		X	

7D18

HYDRAULICS

HYDRAULIC PUMP (57 CM3 (3.5 IN3))
POMPE HYDRAULIQUE (57 CM3 (3.5 IN3))
HYDRAULIKPUMPE (57 CM3 (3.5 IN3))
POMPE IDRAULICA (57 CM3 (3.5 IN3))
BOMBA HIDRAULICA (57 CM3 (3.5 IN3))
HYDRAULPUMP (57 CM3 (3.5 IN3))
RE028075 -UN-27AUG97



RE028075

7D19

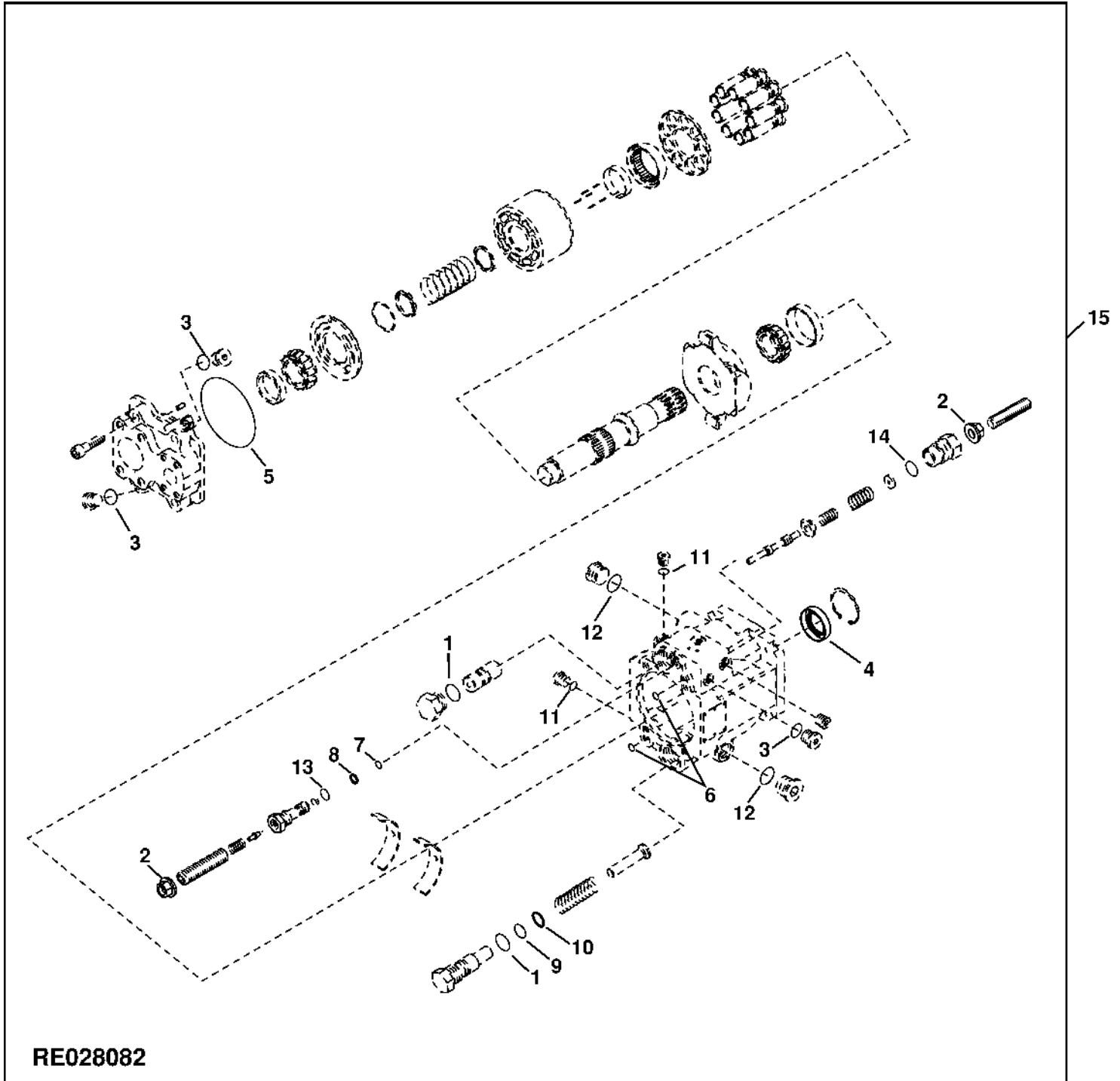
HYDRAULICS

KEY	PART NO.	PART NAME	QTY	TRACTOR SERIAL NO.	A L L	REMARKS
1	RE65337	PUMP	1	010000-	X	
2	R136576	PLUG	1		X	
3	RE71649	BEARING KIT	1		X	
4	RE71650	BEARING KIT	2		X	
5	RE71651	SWASH PLATE	1		X	
6	RE71652	BEARING KIT	1		X	
7	R56751	O-RING	2		X	
8	R136564	SPRING	1		X	
9	RE71653	PISTON REPLACEMENT KIT	1		X	
10	R136565	PLATE	1		X	
11	R136566	NUT	1		X	
12	M45379	O-RING	1		X	
13	RE71654	KIT	1		X	
14	R136567	SPOOL	1		X	
15	RE71655	KIT	1		X	
16	M74600	O-RING	1		X	
17	R136568	ORIFICE	1		X	
18	R136569	ORIFICE	1		X	
19	R136570	SHAFT	1		X	
20	R136571	CAP	1		X	
21	19M8341	SCREW	4		X	M12 X 45 HS 12.9
22	T54904	FITTING PLUG	3		X	
23	R28782	O-RING	3		X	
24	R136572	PIN	1		X	
25	M44677	SNAP RING	1		X	
26	R136573	SEAL	1		X	
27	RE151898	KIT	1		X	
28	R136574	PIN	3		X	
29	T60657	O-RING	1		X	
30	T72280	O-RING	2		X	
31	T77814	O-RING	1		X	
32	R151641	BACK-UP RING	1		X	
33	N203491	O-RING	1		X	
34	R151642	BACK-UP RING	1		X	
35	R90584	FITTING PLUG	2		X	
36	51M7041	O-RING	2		X	11.300 X 2.200 MM
37	R95065	FITTING	2		X	
38	51M7045	O-RING	2		X	19.300 X 2.200 MM
39	R136575	PISTON	1		X	

7D20

HYDRAULICS

HYDRAULIC PUMP SEAL KIT (57 CM3 (3.5 IN3))
JEU DE JOINTS D'ETANCHEITE DE LA POMPE HYDRAULIQUE (57 CM3 (3.5 IN3))
HYDRAULIKPUMPEN-DICHTRINGSATZ (57 CM3 (3.5 IN3))
KIT DI TENUTA DELLA POMPA IDRAULICA (57 CM3 (3.5 IN3))
JUEGO DE SELLOS DE LA BOMBA HIDRAULICA (57 CM3 (3.5 IN3))
TAETNINGSSATS FOER HYDRAULPUMP (57 CM3 (3.5 IN3))
RE028082 -UN-27AUG97



7D21

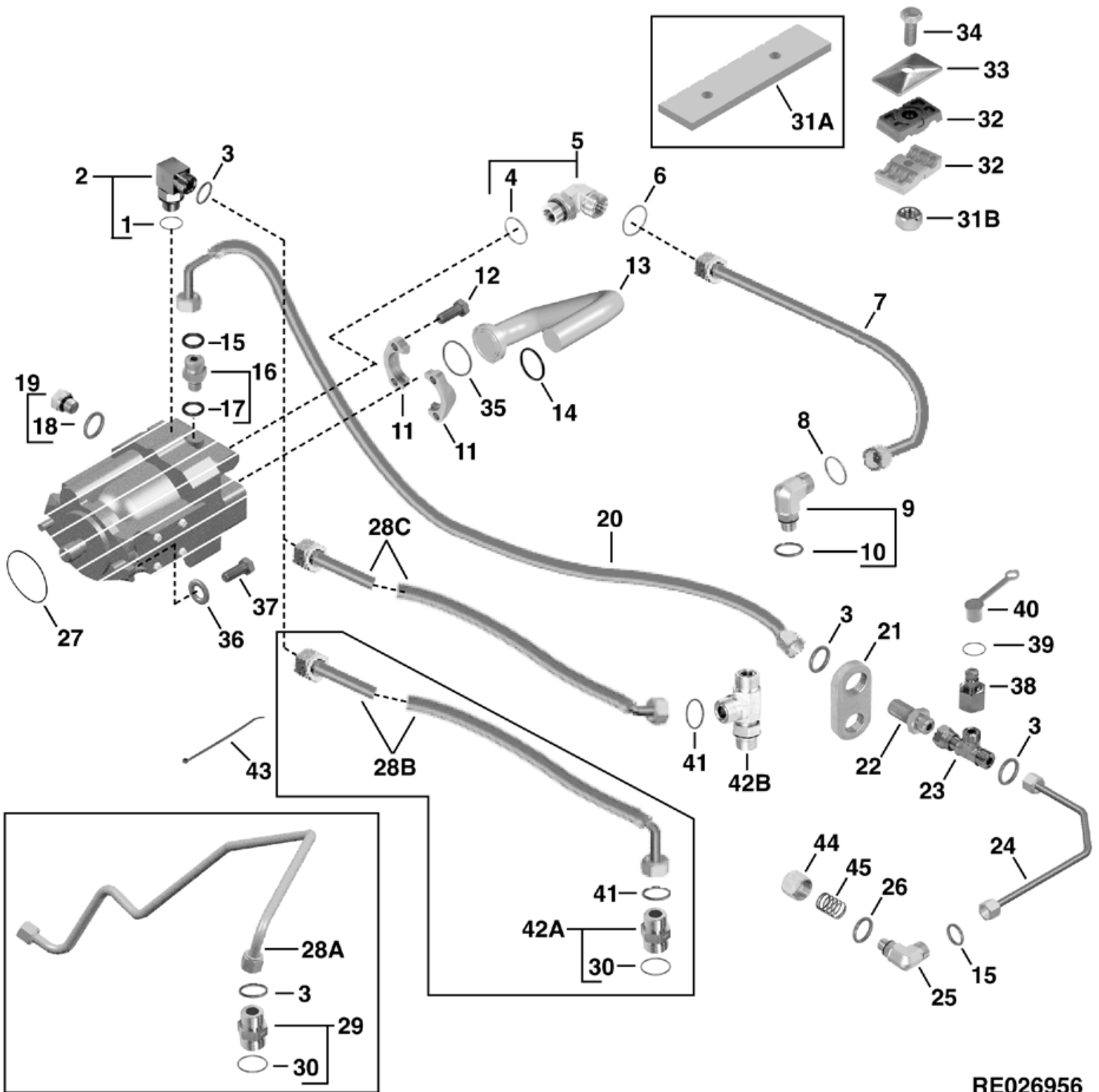
HYDRAULICS

KEY	PART NO.	PART NAME	QTY	TRACTOR SERIAL NO.	A L L	REMARKS
1	R56751	O-RING	2		X	
2	R136566	NUT	2		X	
3	R28782	O-RING	2		X	
4	R136573	SEAL	1		X	
5	T60657	O-RING	1		X	
6	T72280	O-RING	2		X	
7	T77814	O-RING	1		X	
8	R151641	BACK-UP RING	1		X	
9	N203491	O-RING	1		X	
10	R151642	BACK-UP RING	1		X	
11	51M7041	O-RING	2		X	11.300 X 2.200 MM
12	51M7045	O-RING	2		X	19.300 X 2.200 MM
13	M74600	O-RING	1		X	
14	M45379	O-RING	1		X	
15	RE71657	SEAL KIT	1	010000-	X	

7D22

HYDRAULICS

HYDRAULIC PUMP LINES (45 CM3 (2.75 IN3))
 TUYAUTERIES HYDRAULIQUES (45 CM3 (2.75 IN3))
 HYDRAULIKOELLEITUNGEN (45 CM3 (2.75 IN3))
 LINEE IDRAULICHE (45 CM3 (2.75 IN3))
 TUBERIAS DE ACEITE HYDRAULICO (45 CM3 (2.75 IN3))
 HYDRAULLEDNINGAR (45 CM3 (2.75 IN3))
 RE026956 -UN-15JUL97



RE026956

7D23

HYDRAULICS

KEY	PART NO.	PART NAME	QTY	TRACTOR SERIAL NO.	A L L	REMARKS
1	51M7043	O-RING	1		X	15.300 X 2.200 MM
2	38H5017	ELBOW FITTING	1		X	
3	T77857	O-RING	4		X	
4	51M7047	O-RING	1		X	23.600 X 2.900 MM
5	38H5019	ELBOW FITTING	1		X	
6	T77858	O-RING	1		X	
7	RE61133	HYDRAULIC HOSE - FABRICATE	1		X	
8	T77858	O-RING	1		X	
9	38H5019	ELBOW FITTING	1		X	
10	51M7047	O-RING	1		X	23.600 X 2.900 MM
11	T47649	FLANGE FITTING	2		X	
12	19M8011	CAP SCREW	4		X	M12 X 30, HS 10.9
13	RE60590	OIL LINE	1	-XXXXXX	X	
	RE65441	OIL LINE	1	XXXXXX-	X	
14	U10289	O-RING	1		X	
15	T77613	O-RING	2		X	
16	38H5008	ADAPTER	1		X	
17	51M7040	O-RING	2		X	9.300 X 2.200 MM
18	51M7041	O-RING	2		X	11.300 X 2.200 MM
19	RE46684	PLUG	2		X	
20	RE61134	HYDRAULIC HOSE - FABRICATE	1		X	
21	R125963	PLATE	1		X	
22	38H5073	ADAPTER	1		X	
23	38H5069	TEE FITTING	1		X	
24	RE56716	OIL LINE	1	-XXXXXX	X	(SUB RE65564)
	RE65564	OIL LINE	1	XXXXXX-	X	
25	38H5016	ELBOW FITTING	2		X	
26	51M7041	O-RING	1		X	11.300 X 2.200 MM
27	T42302	O-RING	1		X	
28A	RE61622	OIL LINE	1	-XXXXXX	X	(B) (SUB RE65566, 38H5010, T77932 AND (2) R44302)
28B	RE65566	HYDRAULIC HOSE	1	XXXXXX-009999	X	(C)
28C	RE68757	HYDRAULIC HOSE - FABRICATE	1	010000-	X	
29	38H5003	ADAPTER	1	-XXXXXX	X	(B)
30	51M7043	O-RING	1		X	15.300 X 2.200 MM
31A	RE61652	PLATE	1	-XXXXXX	X	
31B	14M7273	NUT	1	XXXXXX-	X	M8
32	R125346	CLAMP	2		X	
33	R125347	PLATE	1		X	
34	19H1901	CAP SCREW	1		X	5/16" X 2", (USE WITH RE61652)
	19M7185	CAP SCREW	1		X	M8 X 60, (USE WITH 14M7273)
35	B3690R	O-RING	1		X	
36	24M7240	WASHER	2		X	13 X 25 X 3 MM, (SUB FOR R106714) (ALSO ORDER 19M7789)
37	19M7789	SCREW	2		X	M12 X 30, HS 10.9
38	RE43774	FITTING	1		X	
39	T77857	O-RING	1		X	
40	R77175	COVER	1		X	
41	T77932	O-RING	1	XXXXXX-009999	X	(C)
42A	38H5010	ADAPTER	1	XXXXXX-009999	X	(C)
	RE65746	FITTING	1	-009999	X	(A)
42B	38H5170	TEE FITTING	1	010000-	X	
43	R44302	TIE BAND	2	XXXXXX-	X	(C)
44	R111296	POPPET	1		X	
45	R111297	SPRING	1		X	

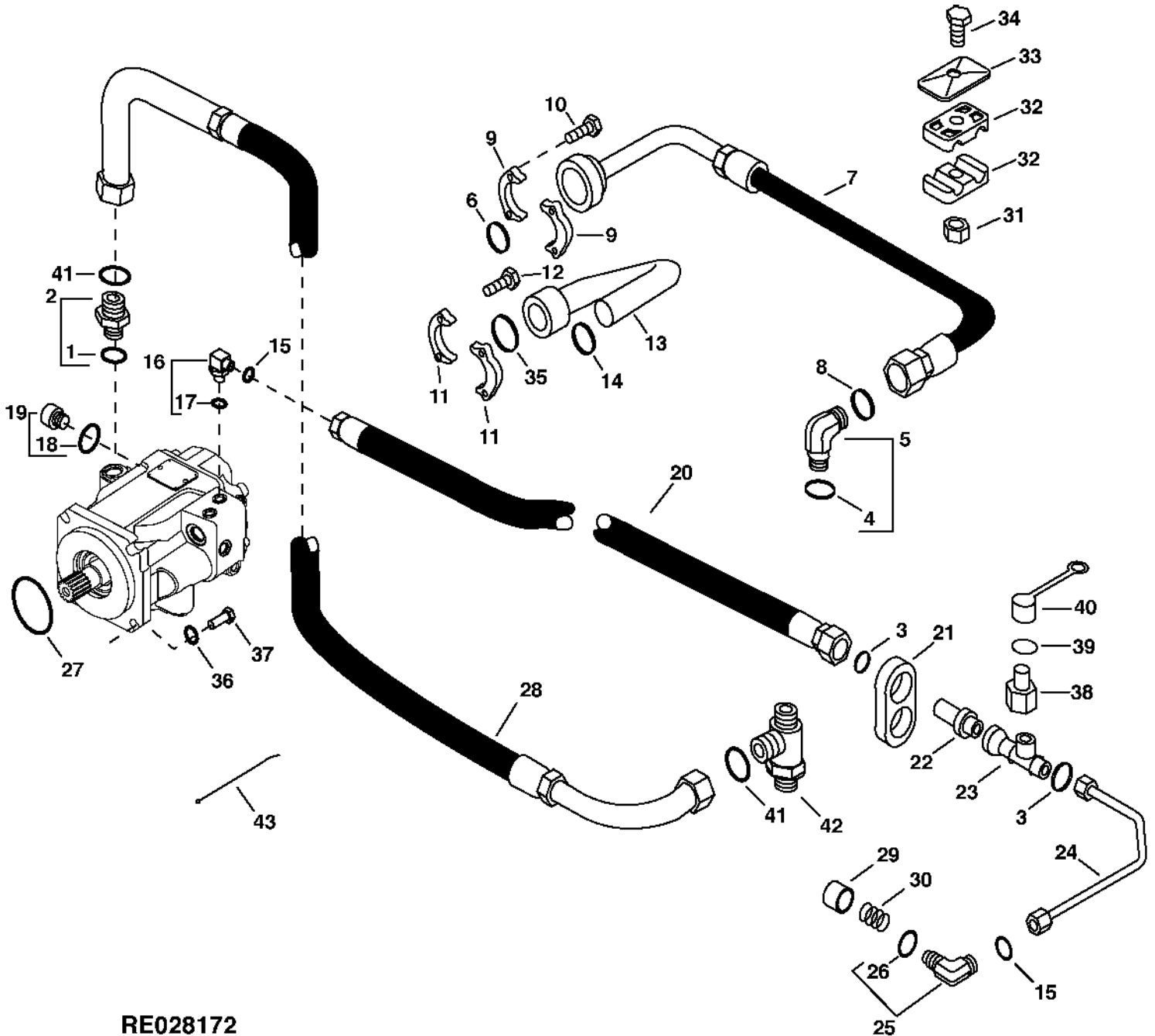
(A) AIR BRAKE
 FREINS A AIR COMPRIME
 DRUCKLUFTBREMSE
 FRENO AD ARIA COMPRESSA
 FRENO NEUMATICO
 TRYCKLUFTSBROMS

(B) (-XXXXXX) 8100-003506; 8200-002706; 8300-004597; 8400-003057
 (C) (XXXXXX-) 8100-003507; 8200-002707; 8300-004598; 8400-003058

7D24

HYDRAULICS

HYDRAULIC PUMP LINES(57 CM3(3.5 IN3))(8100 012675- ;8200 012154- ;8300 012874- ;8400 012647-)
TUYAUTERIES HYDRAULIQUES(57 CM3(3.5 IN3))
HYDRAULIKOELLEITUNGEN (57 CM3 (3.5 IN3))
LINEE IDRAULICHE (57 CM3 (3.5 IN3))
TUBERIAS DE ACEITE HYDRAULICO(57 CM3(3.5 IN3))
HYDRAULLEDNINGAR (57 CM3 (3.5 IN3))
RE028172 -UN-12SEP97



RE028172

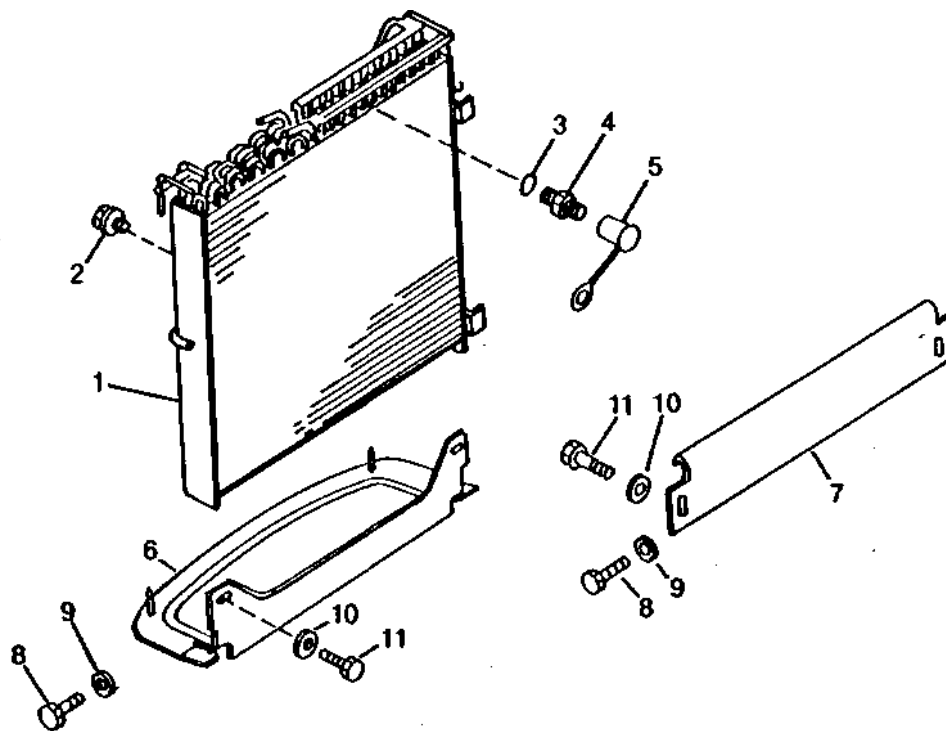
7D25

HYDRAULICS

KEY	PART NO.	PART NAME	QTY	TRACTOR SERIAL NO.	A L L	REMARKS
1	51M7045	O-RING	1		X	19.300 X 2.200 MM
2	38H5004	ADAPTER	1		X	
3	T77857	O-RING	2		X	
4	51M7047	O-RING	1		X	23.600 X 2.900 MM
5	38H5019	ELBOW FITTING	1		X	
6	T78313	O-RING	1		X	
7	RE66252	HYDRAULIC HOSE - FABRICATE	1		X	
8	T77858	O-RING	1		X	
9	H61354	FLANGE FITTING	2		X	
10	R153676	SCREW	4		X	HS 10.9
11	R37023	FLANGE FITTING	2		X	
12	19M7403	CAP SCREW	4		X	M12 X 35, HS 10.9
13	RE66251	OIL LINE	1		X	
14	U10289	O-RING	1		X	
15	T77613	O-RING	2		X	
16	38H5022	ELBOW FITTING	1		X	
17	51M7040	O-RING	2		X	9.300 X 2.200 MM
18	51M7041	O-RING	2		X	11.300 X 2.200 MM
19	RE46684	PLUG	2		X	
20	RE66253	HYDRAULIC HOSE - FABRICATE	1		X	
21	R125963	PLATE	1		X	
22	38H5073	ADAPTER	1		X	
23	38H5069	TEE FITTING	1		X	
24	RE65564	OIL LINE	1		X	
25	38H5016	ELBOW FITTING	2		X	
26	51M7041	O-RING	1		X	11.300 X 2.200 MM
27	T42302	O-RING	1		X	
28	RE66254	HYDRAULIC HOSE - FABRICATE	1		X	
29	R111296	POPPET	1		X	
30	R111297	SPRING	1		X	
31	14M7273	NUT	1		X	M8
32	R125346	CLAMP	2		X	
33	R125347	PLATE	1		X	
34	19M7185	CAP SCREW	1		X	M8 X 60
35	F1870R	O-RING	1		X	
36	24M7240	WASHER	2		X	13 X 25 X 3 MM
37	N275960	CAP SCREW	2		X	M12 X 30, HS 10.9
38	RE43774	FITTING	1		X	
39	T77857	O-RING	1		X	
40	R77175	COVER	1		X	
41	T77932	O-RING	2		X	
42	38H5170	TEE FITTING	1		X	
43	R44302	TIE BAND	2		X	

MEMORANDA
MEMORANDA
MEMORANDA
MEMORANDA
MEMORANDA

HYDRAULIC OIL COOLER
 REFROIDISSEUR D'HUILE
 OELKUEHLER
 RADIATORE ALIO
 REFRIGERADOR DE ACEITE
 OLJEKYLARE
 RXP025133 -UN-01JAN94

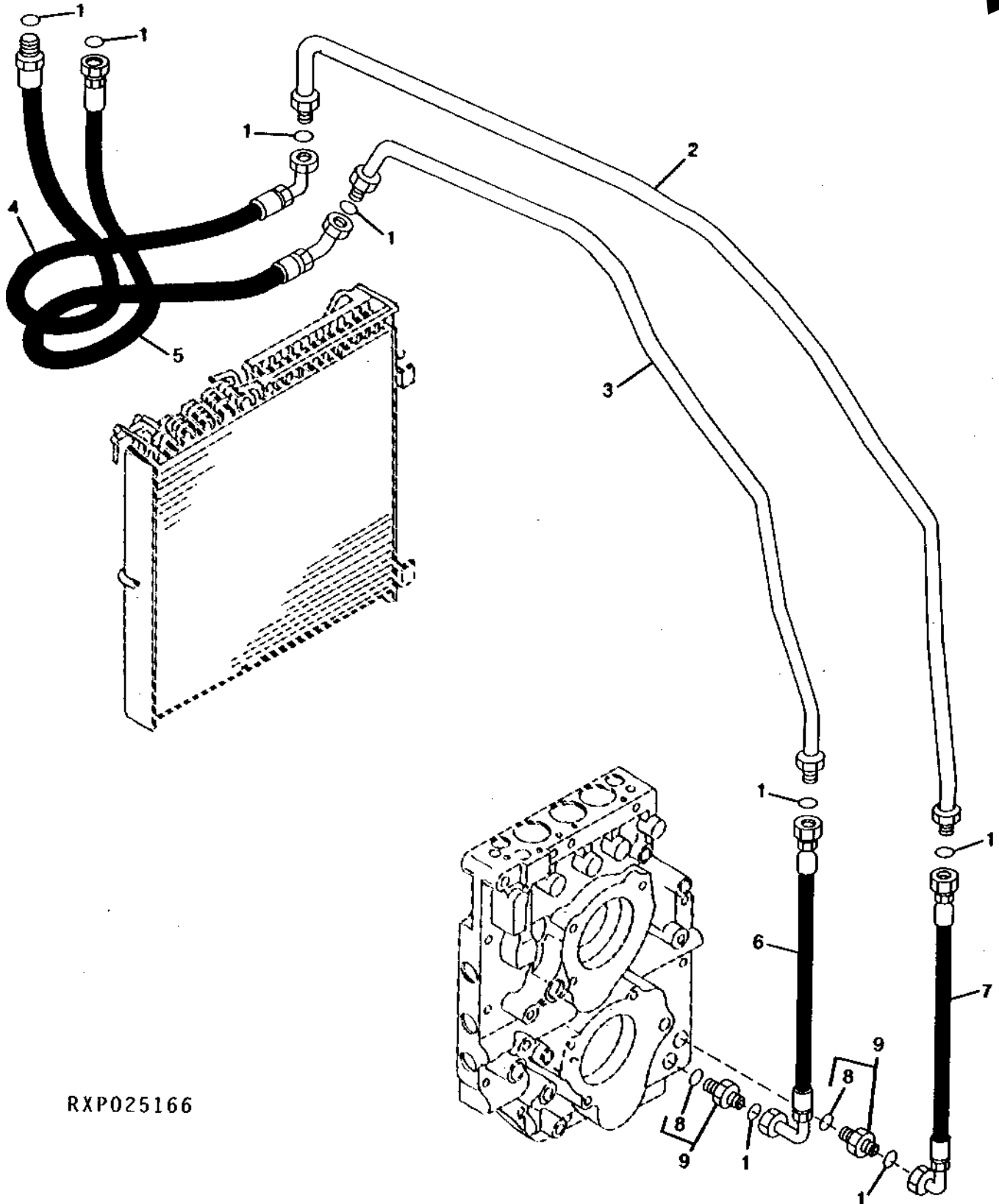


RXP025133

KEY	PART NO.	PART NAME	QTY	TRACTOR SERIAL NO.	A	
					L	REMARKS
1	RE61071	OIL COOLER	1	-XXXXXX	X	(A) (SUB RE63468)
	RE63468	OIL COOLER	1	XXXXXX-009999	X	(B)
	RE66573	OIL COOLER	1	010000-	X	
2	19M7783	SCREW	4		X	M10 X 16, HS 10.9
3	R26448	O-RING	1		X	
4	RE12187	RECEPTACLE	1		X	
5	R77175	COVER	1		X	
6	RE70714	SUPPORT	1		X	(SUB FOR RE54930)
7	R63647	SUPPORT	1		X	
8	19M7932	CAP SCREW	4		X	M8 X 16, HS 10.9
9	24M7336	WASHER	4		X	9 X 16 X 1.600 MM
10	24M7336	WASHER	4		X	9 X 16 X 1.600 MM
11	19M7932	CAP SCREW	4		X	M8 X 16, HS 10.9

(A) (-XXXXXX) 8100-001801; 8200-001721; 8300-002987; 8400-001703
 (B) (XXXXXX-) 8100-001802; 8200-001722; 8300-002988; 8400-001704

HYDRAULIC OIL COOLER LINES
CONDUITES DE REFROIDISSEUR D'HUILE HYDRAULIQUE
HYDRAULIKOELKUEHLER-LEITUNGEN
TUBI DEL REFRIGERANTE OLIO IDRAULICO
LINEAS DEL ENFRIADOR DE ACEITE HIDRAULICO
LEDNINGAR FOER HYDRAULOLJEKYLARE
RXP025166 -UN-01JAN94



RXP025166

7E3

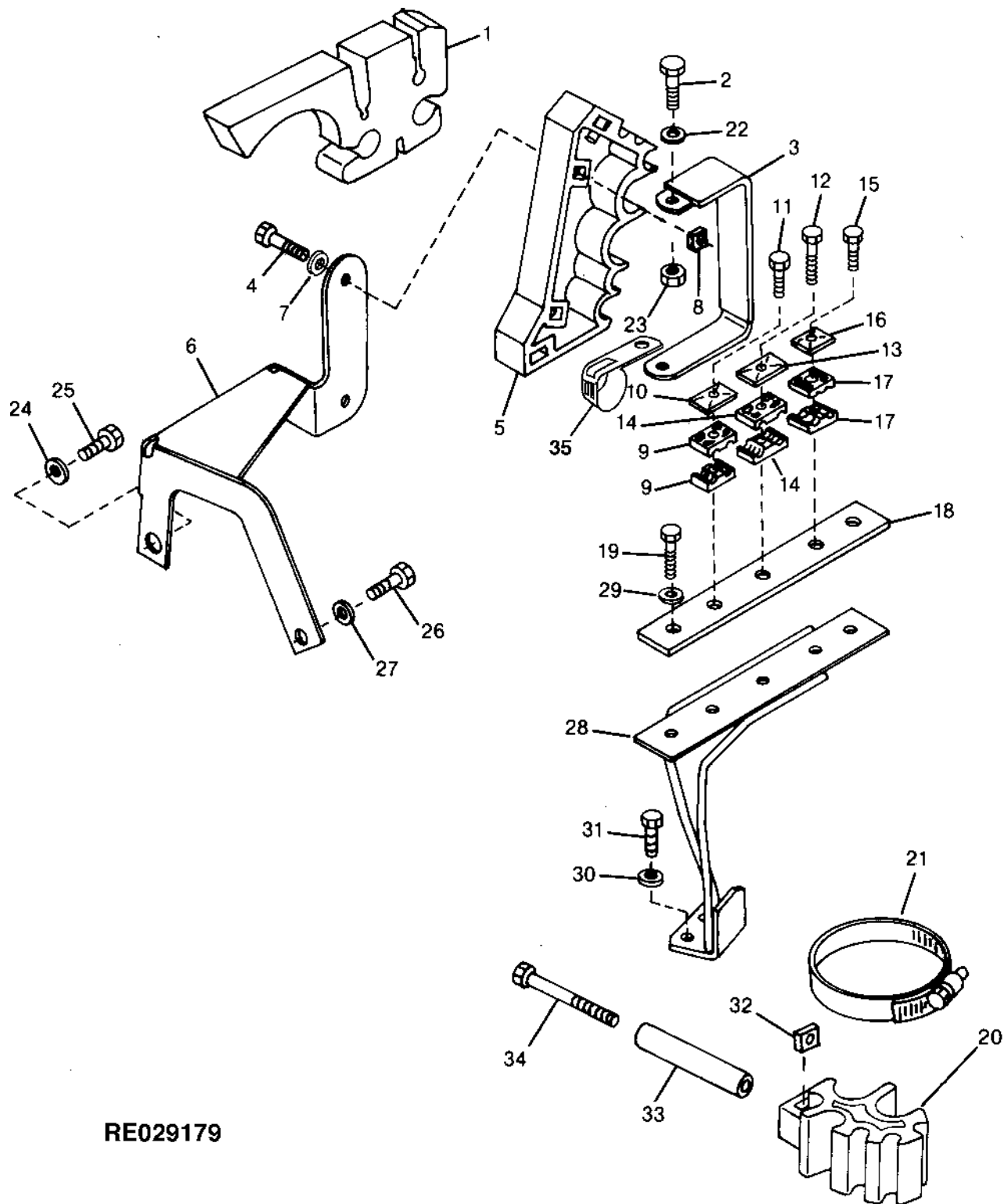
KEY	PART NO.	PART NAME	QTY	TRACTOR SERIAL NO.	A L L	REMARKS
1	T77858	O-RING	8		X	
2	RE61144	PIPE	1		X	(B)
3	RE61145	PIPE	1		X	(A)
4	RE61139	HYDRAULIC HOSE - FABRICATE	1		X	(B)
5	RE61140	HYDRAULIC HOSE - FABRICATE	1		X	(A)
6	RE57843	HYDRAULIC HOSE - FABRICATE	1		X	(A)
7	RE60680	HYDRAULIC HOSE - FABRICATE	1		X	(B)
8	51M7045	O-RING	2		X	19.300 X 2.200 MM
9	38H5121	ADAPTER	2		X	

(A) PRESSURE
 PRESSION
 DRUCK
 PRESSIONE
 PRESION
 TRYCK

(B) RETURN
 RETOUR
 RUECKLAUF
 RITORNO
 RETORNO
 RETUR

OIL COOLER LINE CLAMPS AND BRACKETS
 RADIATOR D'HUILE, COLLIERS ET SUPPORTS DE CONDUITE
 OELKUEHLER, LEITUNGSSCHELLEN UND -HALTERUNGEN
 RADIATOR DELL'OLIO, STAFFE E MORSETTI DELLE LINEE
 ENFRIADOR DE ACEITE, ABRAZADERAS Y PINZAS DE LINEAS
 OLJEKYLARE, LEDNINGSKLAEMMOR OCH FAESTEN

RE029179 -UN-20MAR98



RE029179

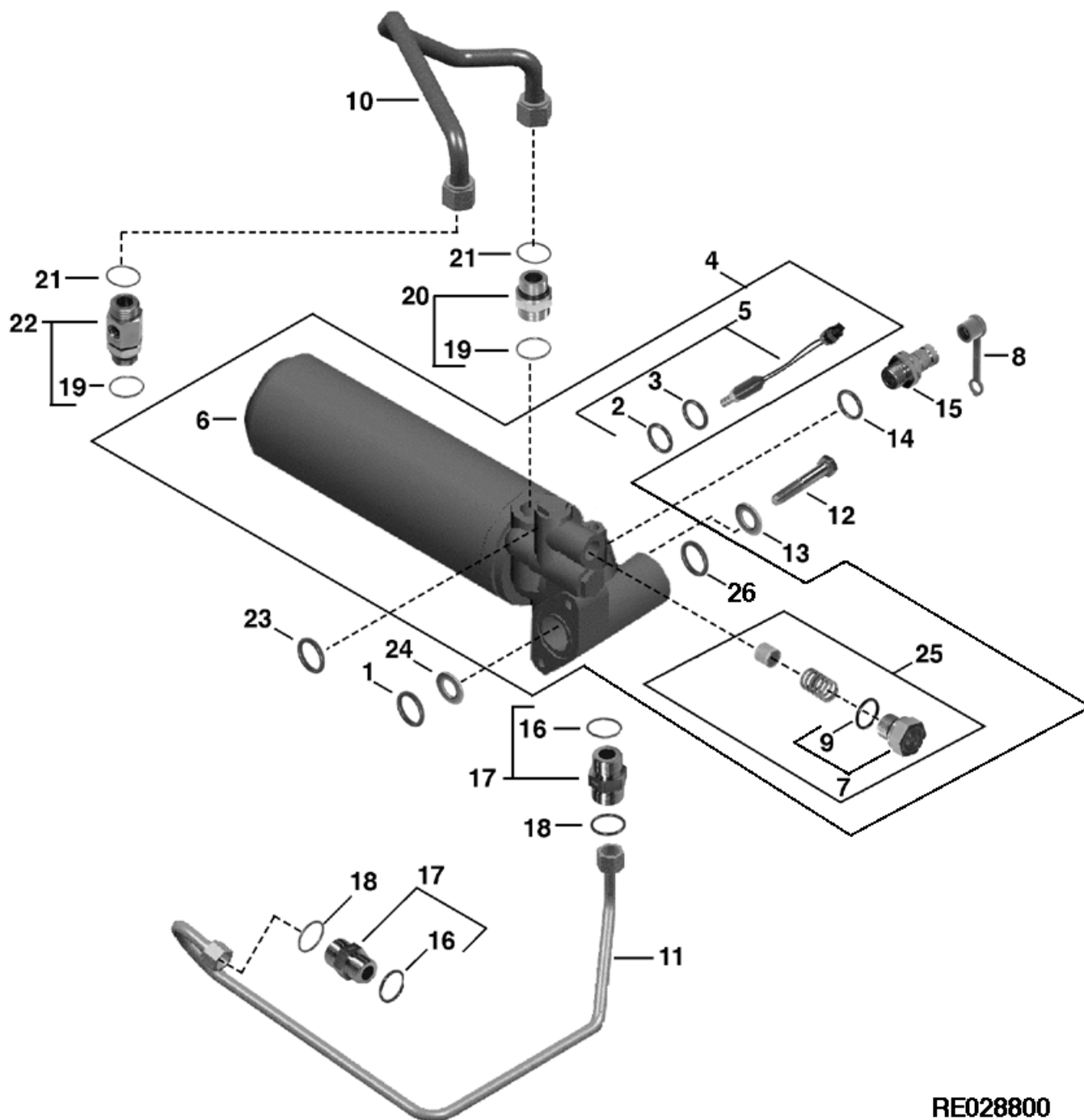
7E5

HYDRAULICS

KEY	PART NO.	PART NAME	QTY	TRACTOR SERIAL NO.	A L L	REMARKS
1	R124681	BARRIER	1		X	
2	19M7881	SCREW	2		X	M8 X 20, HS 10.9
3	R120759	CLAMP	1		X	
4	19M7881	SCREW	2		X	M8 X 20, HS 10.9
5	R120733	CLAMP	1		X	
6	R122424	RAIL	1		X	
7	24M7336	WASHER	2		X	9 X 16 X 1.600 MM
8	14M7098	NUT	2		X	M8
9	H109046	CLAMP	2		X	
10	H121168	PLATE	1		X	
11	19M8317	SCREW	1		X	M8 X 40, HS 10.9
12	19M8319	SCREW	1		X	M8 X 50, HS 10.9
13	H112567	PLATE	1		X	
14	H115379	CLAMP	2		X	
15	19M7868	SCREW	1		X	M8 X 30, HS 10.9
16	H121163	COVER	1		X	
17	H128515	CLAMP	4		X	
18	R122547	STRAP	1		X	
19	19M7513	CAP SCREW	2		X	M8 X 30, HS 10.9
20	R121967	CLAMP	1		X	
21	TY22473	CLAMP	1	-XXXXXX	X	(SUB FOR AR62936)
	TY22472	CLAMP	1	XXXXXX-	X	(SUB FOR RE41991)
22	24M7036	WASHER	2		X	9 X 16 X 1.600 MM
23	14M7098	NUT	2		X	M8
24	24M7242	WASHER	1		X	21.400 X 42 X 5 MM
25	R121794	SCREW	1		X	
26	19H1936	CAP SCREW	1		X	3/8" X 3/4"
27	24M7346	WASHER	1		X	11 X 20 X 2 MM
28	RE58680	SUPPORT	1		X	
29	24M7336	WASHER	2		X	9 X 16 X 1.600 MM
30	24M7336	WASHER	2		X	9 X 16 X 1.600 MM
31	19M7881	SCREW	2		X	M8 X 20, HS 10.9
32	14M7098	NUT	1		X	M8
33	R124828	FUEL LINE	1		X	
34	19M8404	CAP SCREW	1		X	M8 X 130, HS 10.9
35	R122472	CLIP	1		X	

7E6

HYDRAULIC OIL FILTER
FILTRE A HUILE HYDRAULIQUE
HYDRAULIKOELFILTER
FILTRO OLIO IDRAULICO
FILTRO P.ACEITE HIDRAULICO
HYDRAULOLJEFILTER
RE028800 -UN-18FEB98



RE028800

KEY	PART NO.	PART NAME	QTY	TRACTOR SERIAL NO.	A L L	REMARKS
1	B3690R	O-RING	1		X	
2	R27976	O-RING	1		X	
3	51M7041	O-RING	1		X	11.300 X 2.200 MM
4	RE152110	HOUSING	1	-XXXXXX	X	(C) (SUB FOR RE51570)
	RE152110	HOUSING	1	XXXXXX-	X	(D)
5	RE43508	SENSOR	1		X	
6	RE51797	OIL FILTER	1		X	
7	RE46684	PLUG	1		X	
8	R77175	COVER	2		X	
9	51M7041	O-RING	1		X	11.300 X 2.200 MM
10	RE61132	OIL LINE	1	-XXXXXX	X	
	RE69881	OIL LINE	1	XXXXXX-	X	
11	RE60851	OIL LINE	1		X	
12	19M8528	SCREW	2		X	M10 X 55, HS 10.9
13	24M7346	WASHER	2		X	(B) 11 X 20 X 2 MM
14	51M7041	O-RING	1		X	11.300 X 2.200 MM
15	RE12187	RECEPTACLE	2		X	
16	51M7047	O-RING	2		X	23.600 X 2.900 MM
17	38H5005	ADAPTER	2		X	
18	T77858	O-RING	2		X	
19	51M7048	O-RING	2		X	29.600 X 2.900 MM
20	38H5006	ADAPTER	1		X	
21	T76938	O-RING	2		X	
22	RE58409	CONNECTOR	1		X	
23	L57084	O-RING	1		X	
24	24H1648	WASHER	1		X	25/32" X 1-3/4" X 0.060"
25	RE58974	VALVE	1		X	(A)
26	U10289	O-RING	1	XXXXXX-	X	(D)

(A) VALVE BYPASS
 DERIVATION DE SOUPAPE
 VENTIL-UEBERBRUECKUNG
 BYPASS DELLE VALVOLE
 DERIVACION DE LA VALVULA
 VENTILSHUNT

(B) NO LONGER REQUIRED
 N'EST PLUS NECESSAIRE
 NICHT MEHR NOTWENDIG
 NON PIU' NECESSARIO
 AHORA NO SE REQUIERA
 EJ LAENGRE NOEDVAENDIG

(C) (-XXXXXX) 8100-020534; 8200-020364; 8300-020769; 8400-020676

(D) (XXXXXX-) 8100-020535; 8200-020365; 8300-020770; 8400-020677

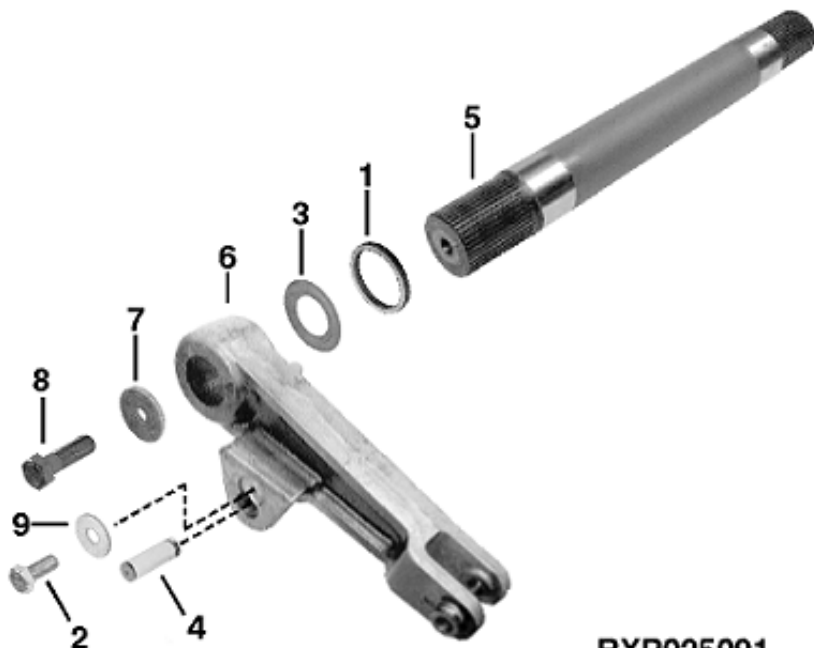
MEMORANDA
MEMORANDA
MEMORANDA
MEMORANDA
MEMORANDA

MEMORANDA
MEMORANDA
MEMORANDA
MEMORANDA
MEMORANDA

7E8

HYDRAULICS

ROCKSHAFT (8100 -025513; 8200 -025493; 8300 -025500; 8400 -025519)
 ARBRE DE RELEVAGE (8100-025513; 8200-025493; 8300-025500; 8400-025519)
 MIT KRAFTHEBER (8100-025513; 8200-025493; 8300-025500; 8400-025519)
 EJE OSCILANTE (8100-025513; 8200-025493; 8300-025500; 8400-025519)
 ALBERO OSCILLANTE (8100-025513; 8200-025493; 8300-025500; 8400-025519)
 LYFTARMSAXEL (8100-025513; 8200-025493; 8300-025500; 8400-025519)
 RXP025091 -UN-01JAN94



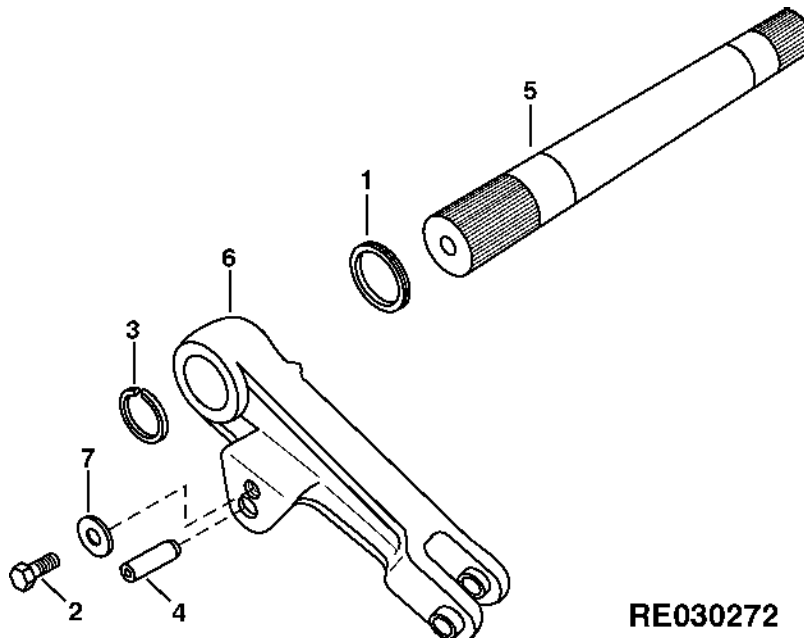
RXP025091

KEY	PART NO.	PART NAME	QTY	TRACTOR SERIAL NO.	A	REMARKS
					L	
1	L75841	SEAL	2		X	
2	19M7938	CAP SCREW	2		X	M10 X 20, HS 10.9
3	R106463	THRUST WASHER	2		X	
4	R122313	PIN	2		X	
5	R113686	ROCKSHAFT	1		X	
6	R113688	LIFT ARM	1		X	R.H.
	R113689	LIFT ARM	1		X	L.H.
7	R33877	WASHER	2		X	
8	19M8638	CAP SCREW	2		X	M20 X 65
9	R124347	WASHER	2		X	

7E9

HYDRAULICS

ROCKSHAFT (8100 025514- ; 8200 025494- ; 8300 025501- ; 8400 025520-)
 ARBRE DE RELEVAGE (8100 025514- ; 8200 025494- ; 8300 025501- ; 8400 025520-)
 MIT KRAFTHEBER (8100 025514- ; 8200 025494- ; 8300 025501- ; 8400 025520-)
 EJE OSCILANTE (8100 025514- ; 8200 025494- ; 8300 025501- ; 8400 025520-)
 ALBERO OSCILLANTE (8100 025514- ; 8200 025494- ; 8300 025501- ; 8400 025520-)
 LYFTARMSAXEL (8100 025514- ; 8200 025494- ; 8300 025501- ; 8400 025520-)
 RE030272 -UN-18DEC98

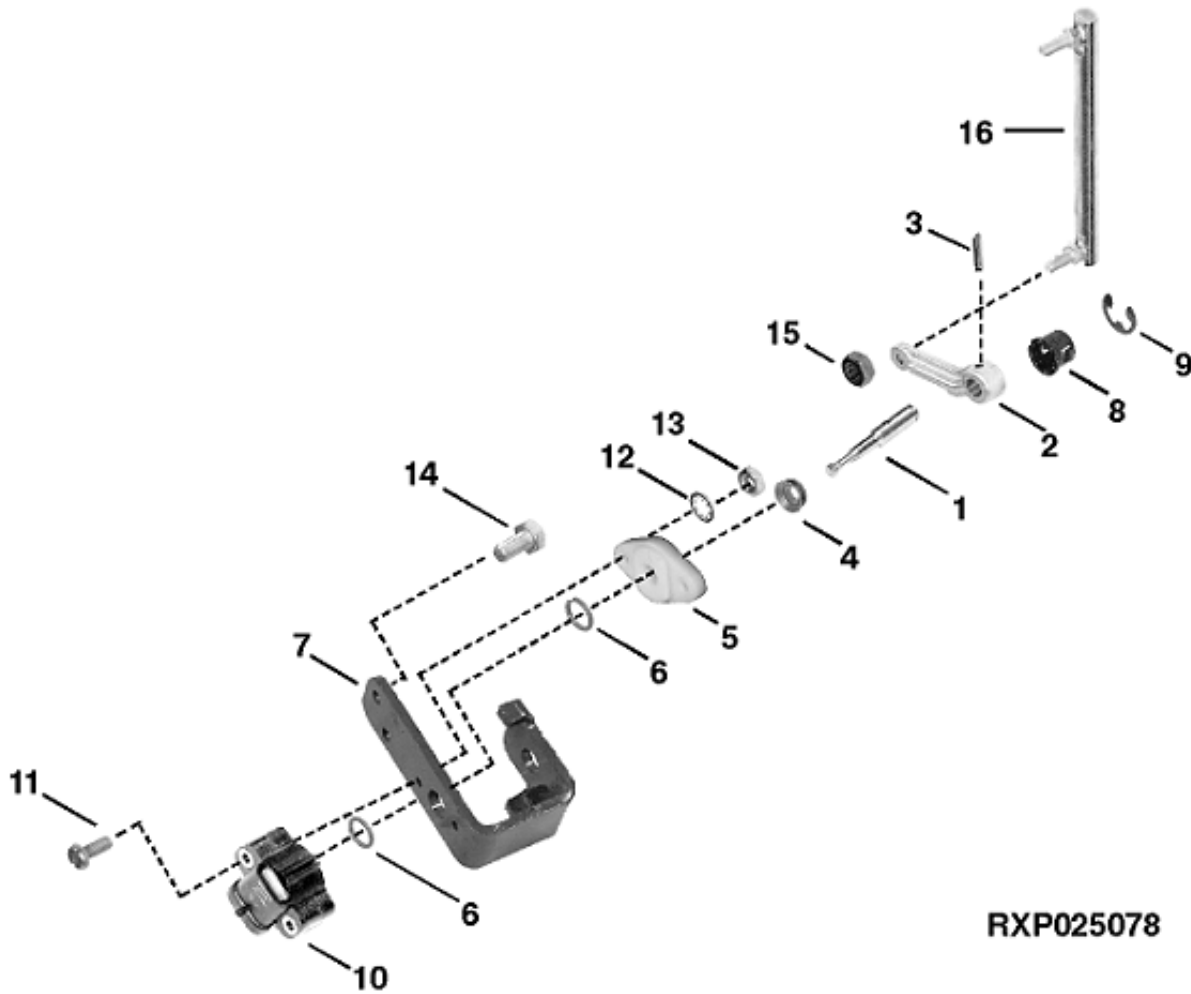


KEY	PART NO.	PART NAME	QTY	TRACTOR SERIAL NO.	A	REMARKS
					L	
1	R135001	SEAL	2		X	
2	19M7938	CAP SCREW	2		X	M10 X 20, HS 10.9
3	R53658	SNAP RING	2		X	
4	R122313	PIN	2		X	
5	R134705	ROCKSHAFT	1		X	
6	R113688	LIFT ARM	1		X	R.H.
	R113689	LIFT ARM	1		X	L.H.
7	R124347	WASHER	2		X	

7E10

HYDRAULICS

ROCKSHAFT POSITION SENSOR
CAPTEUR DE POSITION DE L'ARBRE DE RELEVAGE
REGELHYDRAULIKSTELLUNG-MESSWERTGEBER
SENSORE DI POSIZIONE DELL'ALBERO OSCILLANTE
SENSOR DE POSICION DEL EJE OSCILANTE
POSITIONSGIVARE FOER LYFTARMSAXEL
RXP025078 -UN-01JAN94



RXP025078

7E11

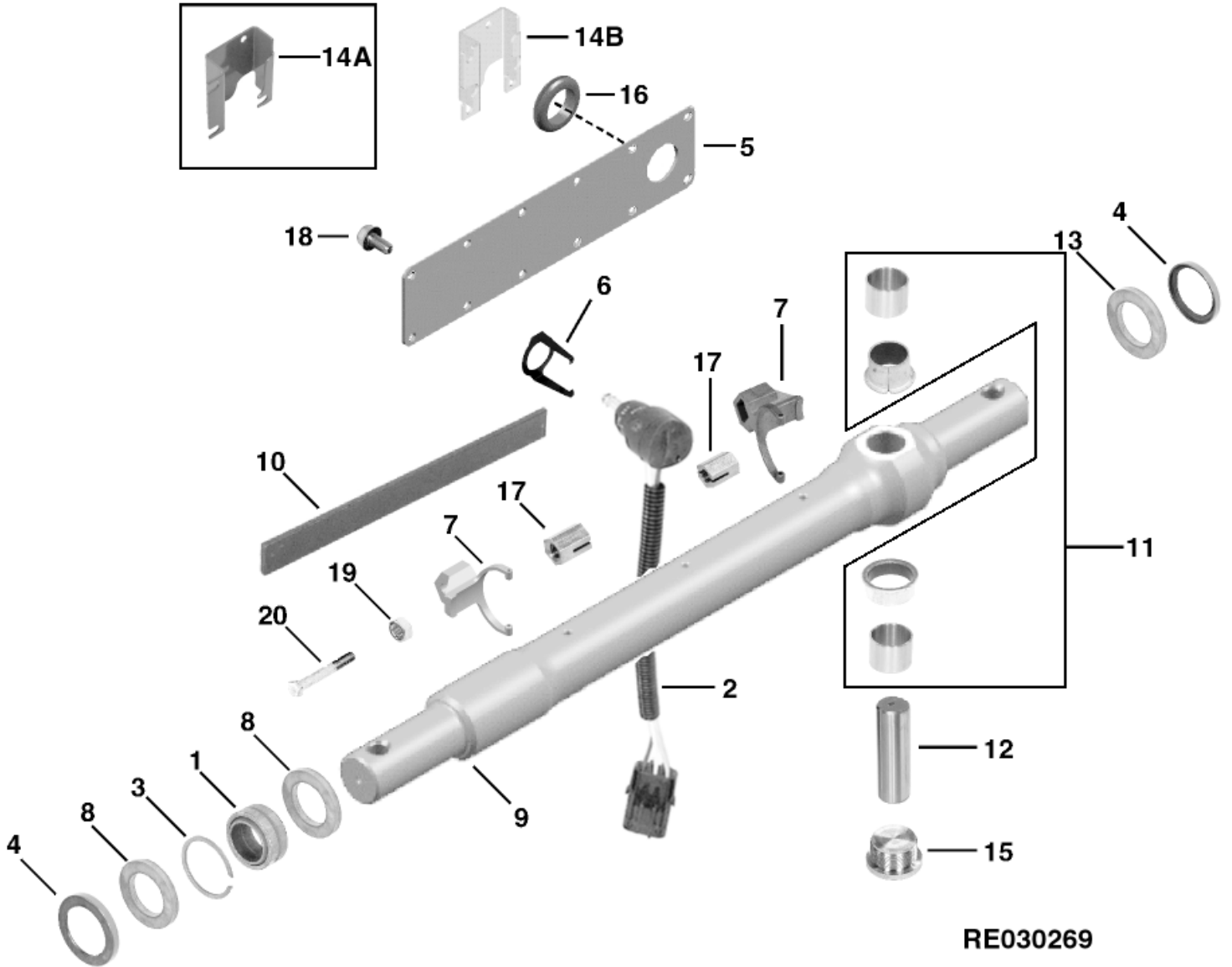
HYDRAULICS

KEY	PART NO.	PART NAME	QTY	TRACTOR SERIAL NO.	A L L	REMARKS
1	R111692	SHAFT	1		X	
2	R40915	LEVER	1		X	
3	R56504	SPRING PIN	1		X	
4	R112679	SEAL	1		X	
5	R86457	SUPPORT	1		X	
6	P48347	O-RING	2		X	
7	R111691	BRACKET	1		X	
8	R41076	GROMMET	1		X	
9	R26871	SNAP RING	1		X	
10	RE56165	SENSOR	1		X	(SUB FOR RE24467)
11	21H1390	SCREW	2		X	0.190" X 1-3/4"
12	12M7060	WASHER	2		X	5.300 MM
13	14H631	NUT	2		X	0.190"
14	19M7932	CAP SCREW	2		X	M8 X 16, HS 10.9
15	14H860	NUT	1		X	1/4"
16	RE54029	BALL JOINT	1		X	

7E12

HYDRAULICS

DRAFT LINK SUPPORT
SUPPORT DE BARRE DE TRACTION
UNTERLENKERSTUETZE
SUPPORTO DEL TIRANTE DI TRAZIONE
SOPORTE DEL BRAZO DE TIRO
DRAGARMSSTOED
RE030269 -UN-18DEC98



7E13

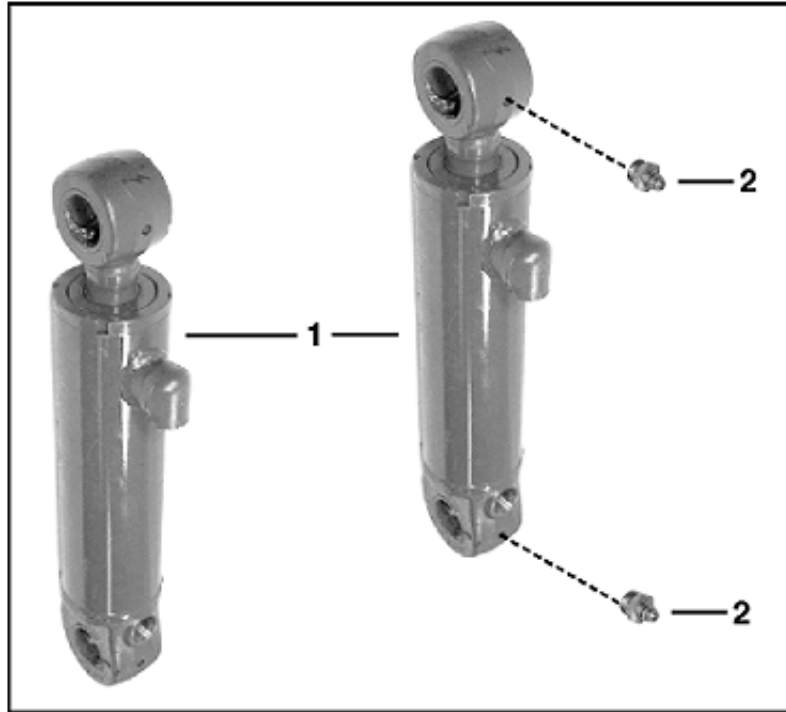
HYDRAULICS

KEY	PART NO.	PART NAME	QTY	AXLE SERIAL NO.	A L L	REMARKS
1	AT128774	SELF-ALIGNING BUSHING	1		X	
2	RE43738	HITCH DRAFT SENSOR	1		X	
3	40M1873	SNAP RING	1		X	
4	R107316	RETAINER	2		X	
5	R124043	COVER	1	-010585	X	
	R128044	COVER	1	010586-XXXXXX	X	
	R160281	COVER	1	XXXXXX-	X	
6	R107491	CLIP	1		X	
7	R107495	CLIP	2		X	
8	R107657	SEAL	2		X	
9	R108290	SHAFT	1		X	
10	R108303	REINFORCEMENT	1		X	
11	RE68295	KIT	2		X	
12	R108305	PIN	1		X	
13	R108306	SEAL	1		X	
14A	R124042	COVER	1		X	(SUB R126408)
14B	R126408	COVER	1		X	
15	R133691	PLUG	1		X	(SUB FOR R122158)
16	R120048	GROMMET	1		X	
	R111792	PLUG	1		X	(A)
17	R132852	NUT	2		X	(SUB FOR R120166)
18	19M7783	SCREW	12	-XXXXXX	X	M10 X 16, HS 10.9
	19M7783	SCREW	7	XXXXXX-	X	
19	14M7273	NUT	1		X	M8
20	19M7513	CAP SCREW	1		X	M8 X 30, HS 10.9
..	RE62967	ADHESIVE	1		X	

- (A) W/O HITCH
W/O ATTELAGE
W/O ANHAENGEVORRICHTUNG
W/O SOLLEVATORE
W/O ENGANCHE
W/O LIFT

7E14

LIFT CYLINDER KIT (NORTH AMERICAN VERSION)
 JEU DE VERIN DE RELEVAGE (VERSION NORD AMERICAINE)
 HUBZYLINDERSATZ (NORDAMERIKANISCHE AUSFUEHRUNG)
 KIT DEL CILINDRO DI SOLLEVAMENTO (VERSIONE NORDAMERICANA)
 JUEGO DE CILINDRO ELEVADOR (VERSION NORTEAMERICANA)
 LYFTCYLINDERSATS (NORDAMERIKANSK VERSION)
 RXP025084 -UN-01JAN94



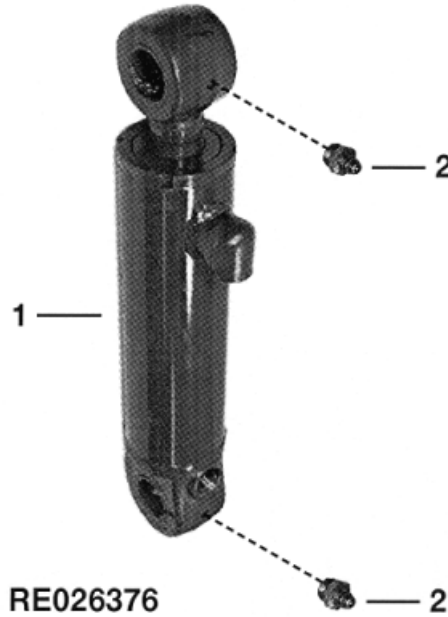
RXP025084

KEY	PART NO.	PART NAME	QTY	TRACTOR		REMARKS
				SERIAL NO.		
					8 8	
					1 2	
					0 0	
					0 0	
1	AH144351	HYDRAULIC CYLINDER	1	-XXXXXX	X X	(B) 80 MM, (SUB AH149420)
	AH149420	HYDRAULIC CYLINDER	1	XXXXXX-	X X	(C) 80 MM
	AH149422	HYDRAULIC CYLINDER	1	-XXXXXX	X X	(B) 90 MM, (SUB FOR AH144352)
	AH149422	HYDRAULIC CYLINDER	1	XXXXXX-	X X	(C) 90 MM
2	JD7798	LUBRICATION FITTING	1		X X	
3	AR114068	KIT	1		X X	(A) (FI)

(A) 1 - AH149420, 1 - AH149422 = 10,400 LBS
 (B) (-XXXXXX) 8100-011595; 8200-011401
 (C) (XXXXXX-) 8100-011596; 8200-011402

7E15

LIFT CYLINDER (NORTH AMERICAN HIGH-LIFT HITCH)
 VERIN DE RELEVAGE (NORD AMERICAINE ATTELAGE HIGH-LIFT)
 HUBZYLINDER (NORDAMERIKANISCHE HIGH-LIFT-ANHAENGEVORRICHTUNG)
 CILINDRO DI SOLLEVAMENTO (NORD AMERICANA ATTACCO HIGH-LIFT)
 CILINDRO ELEVADOR (NORTEAMERICANA ENGANCHE HIGH-LIFT)
 LYFTCYLINDER (NORDAMERIKANSK HIGH-LIFT-LYFT)
 RE026376 -UN-13MAR97



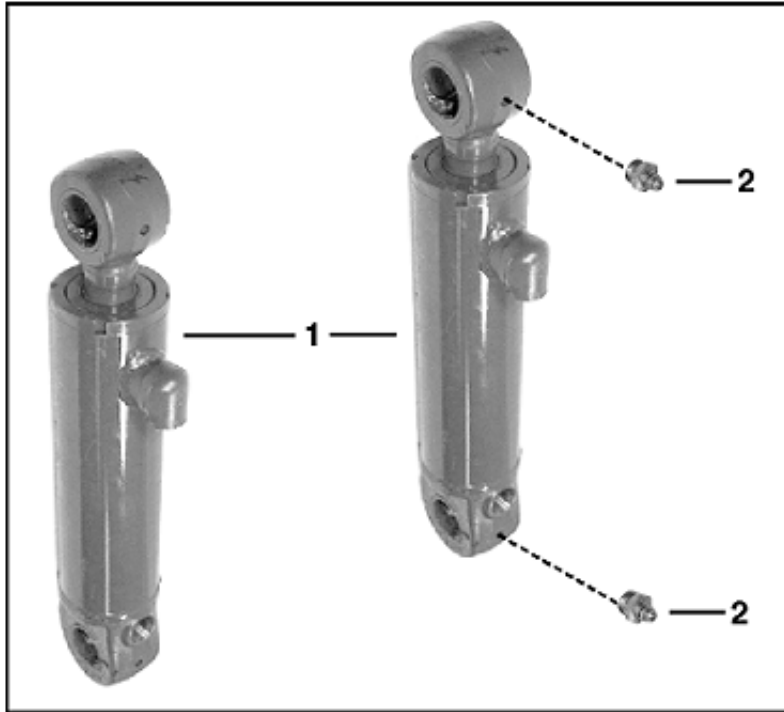
RE026376

KEY	PART NO.	PART NAME	QTY	TRACTOR SERIAL NO.	8	8	REMARKS
1	AH149422	HYDRAULIC CYLINDER	1	-XXXXXX	X	X	(B) 90 MM, (SUB FOR AH144352)
	AH149422	HYDRAULIC CYLINDER	1	XXXXXX-	X	X	(A) (C) 90 MM
	AH141063	HYDRAULIC CYLINDER	1	-XXXXXX	X	X	(B) 100 MM, (SUB AH148711)
	AH148711	HYDRAULIC CYLINDER	1	XXXXXX-	X	X	(A) (C) 100 MM
2	JD7798	LUBRICATION FITTING	4		X	X	

(A) 1 - AH 149422, 1 - AH148711 = 14,165 LBS
 (B) (-XXXXXX) 8100-011595; 8200-011401
 (C) (XXXXXX-) 8100-011596; 8200-011402

7E16

LIFT CYLINDER KIT (NORTH AMERICAN VERSION)
 JEU DE VERIN DE RELEVAGE (VERSION NORD AMERICAINE)
 HUBZYLINDERSATZ (NORDAMERIKANISCHE AUSFUEHRUNG)
 KIT DEL CILINDRO DI SOLLEVAMENTO (VERSIONE NORDAMERICANA)
 JUEGO DE CILINDRO ELEVADOR (VERSION NORTEAMERICANA)
 LYFTCYLINDERSATS (NORDAMERIKANSK VERSION)
 RXP025084 -UN-01JAN94



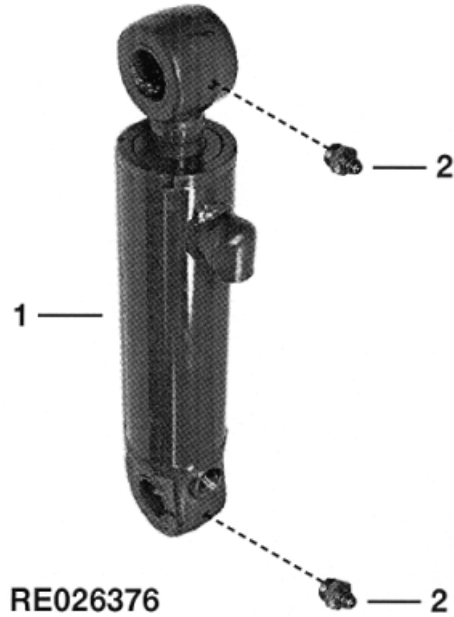
RXP025084

KEY	PART NO.	PART NAME	QTY	TRACTOR SERIAL NO.	8 8 3 4 0 0 0 0	REMARKS
1	AH149422	HYDRAULIC CYLINDER	2	-XXXXXX	X X	(B) 90 MM, (SUB FOR AH144352)
	AH149422	HYDRAULIC CYLINDER	2	XXXXXX-	X X	(C) 90 MM
2	JD7798	LUBRICATION FITTING	4		X X	
3	AR114069	KIT	1		X X	(A) (FI)

(A) 2 - AH149422 = 11,700 LBS
 (B) (-XXXXXX) 8300-011703; 8400-011727
 (C) (XXXXXX-) 8300-011704; 8400-011728

7E17

LIFT CYLINDER (NORTH AMERICAN HIGH-LIFT HITCH)
 VERIN DE RELEVAGE (NORD AMERICAINE ATTELAGE HIGH-LIFT)
 HUBZYLINDER (NORDAMERIKANISCHE HIGH-LIFT-ANHAENGEVORRICHTUNG)
 CILINDRO DI SOLLEVAMENTO (NORDAMERICANA ATTACCO HIGH-LIFT)
 CILINDRO ELEVADOR (NORTEAMERICANA ENGANCHE HIGH-LIFT)
 LYFTCYLINDER (NORDAMERIKANSK HIGH-LIFT-LYFT)
 RE026376 -UN-13MAR97

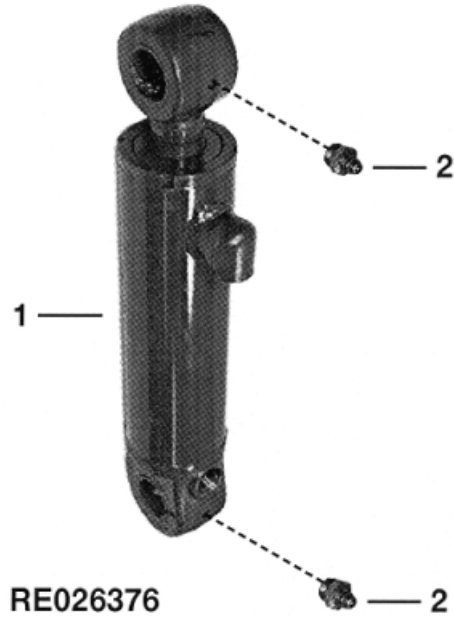


KEY	PART NO.	PART NAME	QTY	TRACTOR SERIAL NO.	8 8 3 4 0 0 0 0	REMARKS
1	AH141063	HYDRAULIC CYLINDER	1	-XXXXXX	X X	(B) 100 MM, (SUB AH148711)
	AH148711	HYDRAULIC CYLINDER	1	XXXXXX-	X X	(A) (C) 100 MM
2	JD7798	LUBRICATION FITTING	4		X X	

(A) 2 - AH148711 = 15,650 LBS
 (B) (-XXXXXX) 8300-011703; 8400-011727
 (C) (XXXXXX-) 8300-011704; 8400-011728

7E18

LIFT CYLINDER (EUROPEAN VERSION)
 VERIN DE RELEVAGE (VERSION EUROPEENNE)
 HUBZYLINDER (EUROPÄISCHE AUSFÜHRUNG)
 CILINDRO DI SOLLEVAMENTO (VERSIONE EUROPEA)
 CILINDRO ELEVADOR (VERSION EUROPEA)
 LYFTCYLINDER (EUROPEISK VERSION)
 RE026376 -UN-13MAR97



RE026376

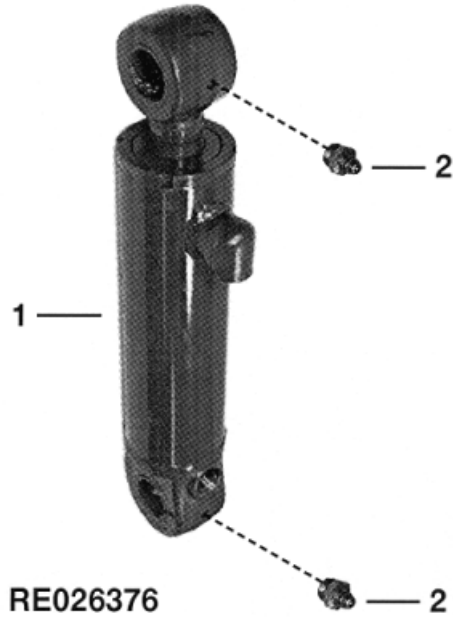
KEY	PART NO.	PART NAME	QTY	TRACTOR SERIAL NO.	8 8 1 2 0 0 0 0	REMARKS
1	AH149422	HYDRAULIC CYLINDER	1	-XXXXXX	X X	(B) 90 MM, (SUB FOR AH144352)
	AH149422	HYDRAULIC CYLINDER	1	XXXXXX-	X X	(A) (C) 90 MM
	AH141063	HYDRAULIC CYLINDER	1	-XXXXXX	X X	(B) 100 MM, (SUB AH148711)
	AH148711	HYDRAULIC CYLINDER	1	XXXXXX-	X X	(A) (C) 100 MM
2	JD7798	LUBRICATION FITTING	1		X X	

(A) 1 - AH149422, 1 - AH149811 = 14,165 LBS
 (B) (-XXXXXX) 8100-011595; 8200-011401
 (C) (XXXXXX-) 8100-011596; 8200-011402

7E19

HYDRAULICS

LIFT CYLINDER (EUROPEAN VERSION)
 VERIN DE RELEVAGE (VERSION EUROPEENNE)
 HUBZYLINDER (EUROPÄISCHE AUSFÜHRUNG)
 CILINDRO DI SOLLEVAMENTO (VERSIONE EUROPEA)
 CILINDRO ELEVADOR (VERSION EUROPEA)
 LYFTCYLINDER (EUROPEISK VERSION)
 RE026376 -UN-13MAR97



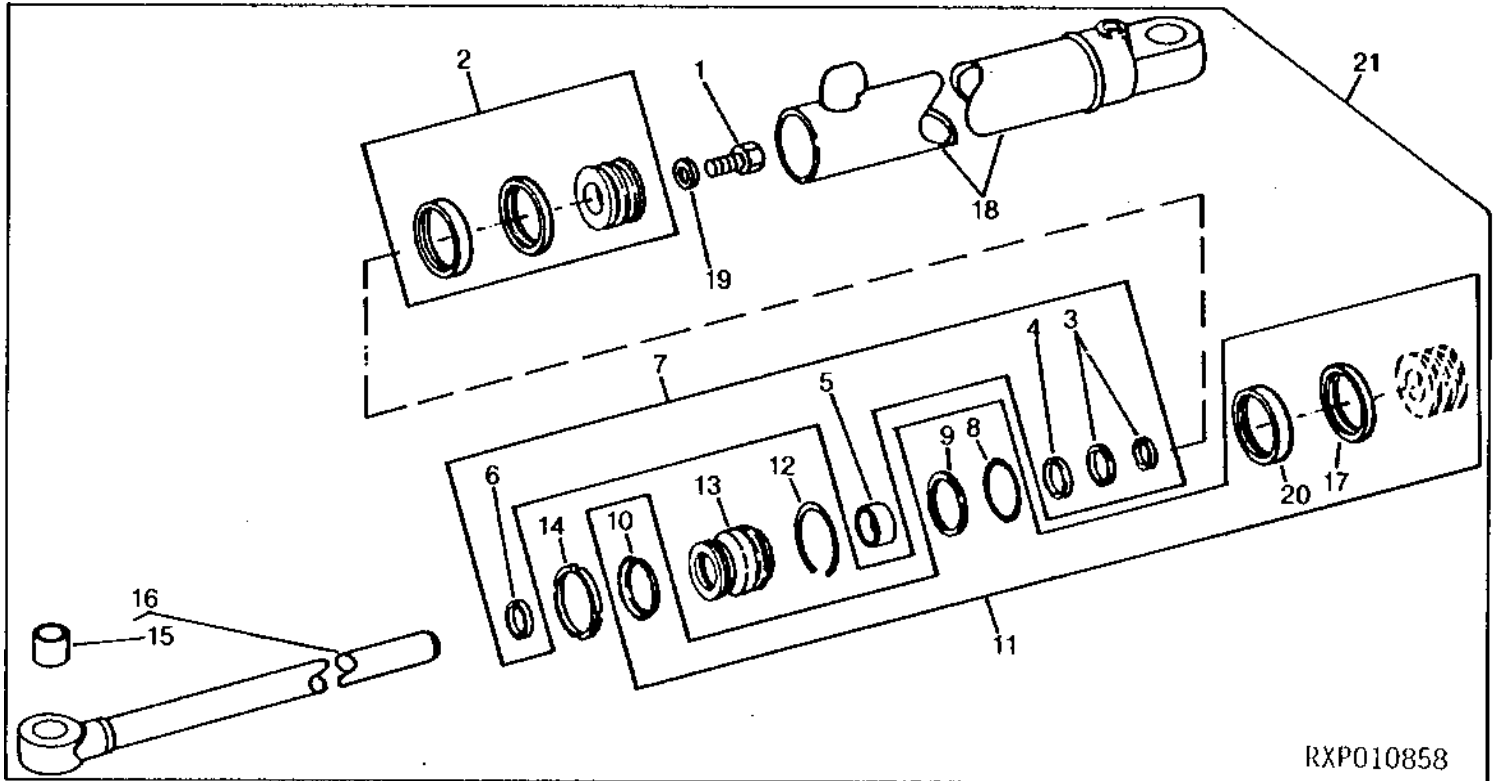
KEY	PART NO.	PART NAME	QTY	TRACTOR SERIAL NO.	8	8	3	4	0	0	REMARKS
1	AH141063	HYDRAULIC CYLINDER	2	-XXXXXX	X	X	(B)	100	MM,	(SUB AH148711)	
	AH148711	HYDRAULIC CYLINDER	2	XXXXXX-	X	X	(A)	(C)	100	MM	
2	JD7798	LUBRICATION FITTING	4		X	X					

(A) 2 - AH148711 = 15,650 LBS
 (B) (-XXXXXX) 8300-011703; 8400-011727
 (C) (XXXXXX-) 8300-011704; 8400-011728

7E20

HYDRAULICS

LIFT CYLINDER (80 MM) (8100 -011595; 8200 -011401)
 VERIN DE RELEVAGE (80 MM) (8100 -011595; 8200 -011401)
 HUBZYLINDER (80 MM) (8100 -011595; 8200 -011401)
 CILINDRO DI SOLLEVAMENTO (80 MM) (8100 -011595; 8200 -011401)
 CILINDRO DE ELEVACION (80 MM) (8100 -011595; 8200 -011401)
 LYFTCYLINDER (80 MM) (8100 -011595; 8200 -011401)
 RXP010858 -UN-01JAN94



RXP010858

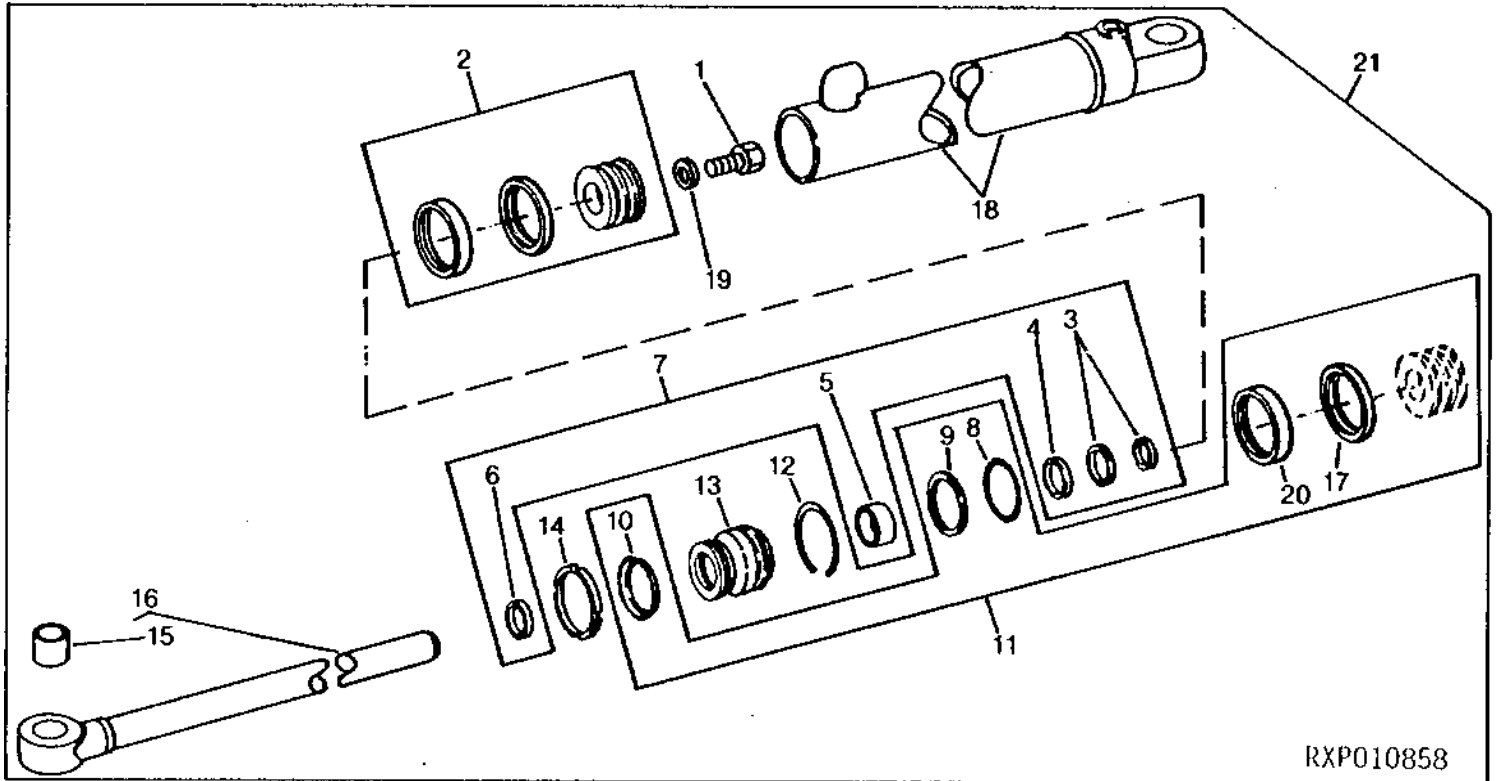
KEY	PART NO.	PART NAME	QTY	TRACTOR SERIAL NO.	REMARKS
				8 8	
				1 2	
				0 0	
				0 0	
1	19H3632	CAP SCREW	1	X X	1" X 3", HS SAE 8
2	RE33968	PISTON	1	X X	
3	RE20491	SEAL	1	X X	
4	R81856	SEAL	1	X X	
5	R81779	WEAR RING	1	X X	
6	RE24535	SEAL	1	X X	
7	RE20434	HYDRAULIC CYLINDER KIT	1	X X	
8	R83575	O-RING	1	X X	
9	R81864	BACK-UP RING	1	X X	
10	R91729	RING	1	X X	
11	RE37003	HYDRAULIC CYLINDER KIT	1	X X	
12	R81789	RING	1	X X	
13	R81767	HYDR. CYLINDER ROD GUIDE	1	X X	(A) (SUB H152347 AND AH149813)
14	R81795	NUT	1	X X	
15	R89940	BUSHING	1	X X	
16	AH137764	ROD	1	X X	
17	R98322	SEAL	1	X X	
18	AH144349	HYDRAULIC CYLINDER BARREL	1	X X	
19	H145176	WASHER	1	X X	
20	R98323	SEAL	1	X X	
21	AH144351	HYDRAULIC CYLINDER	1	X X	(SUB AH149420)

W/O V GROOVE
 SANS RAINURE EN V
 OHNE V-RILLE
 SENZA SCANALATURA A V
 SIN RANURA EN V
 UTAN V-SKAARA

7E21

HYDRAULICS

LIFT CYLINDER (80 MM) (8100 011595- ; 8200 011401-)
 VERIN DE RELEVAGE (80 MM) (8100 011595- ; 8200 011401-)
 HUBZYLINDER (80 MM) (8100 011595- ; 8200 011401-)
 CILINDRO DI SOLLEVAMENTO (80 MM) (8100 011595- ; 8200 011401-)
 CILINDRO DE ELEVACION (80 MM) (8100 011595- ; 8200 011401-)
 LYFTCYLINDER (80 MM) (8100 011595- ; 8200 011401-)
 RXP010858 -UN-01JAN94



RXP010858

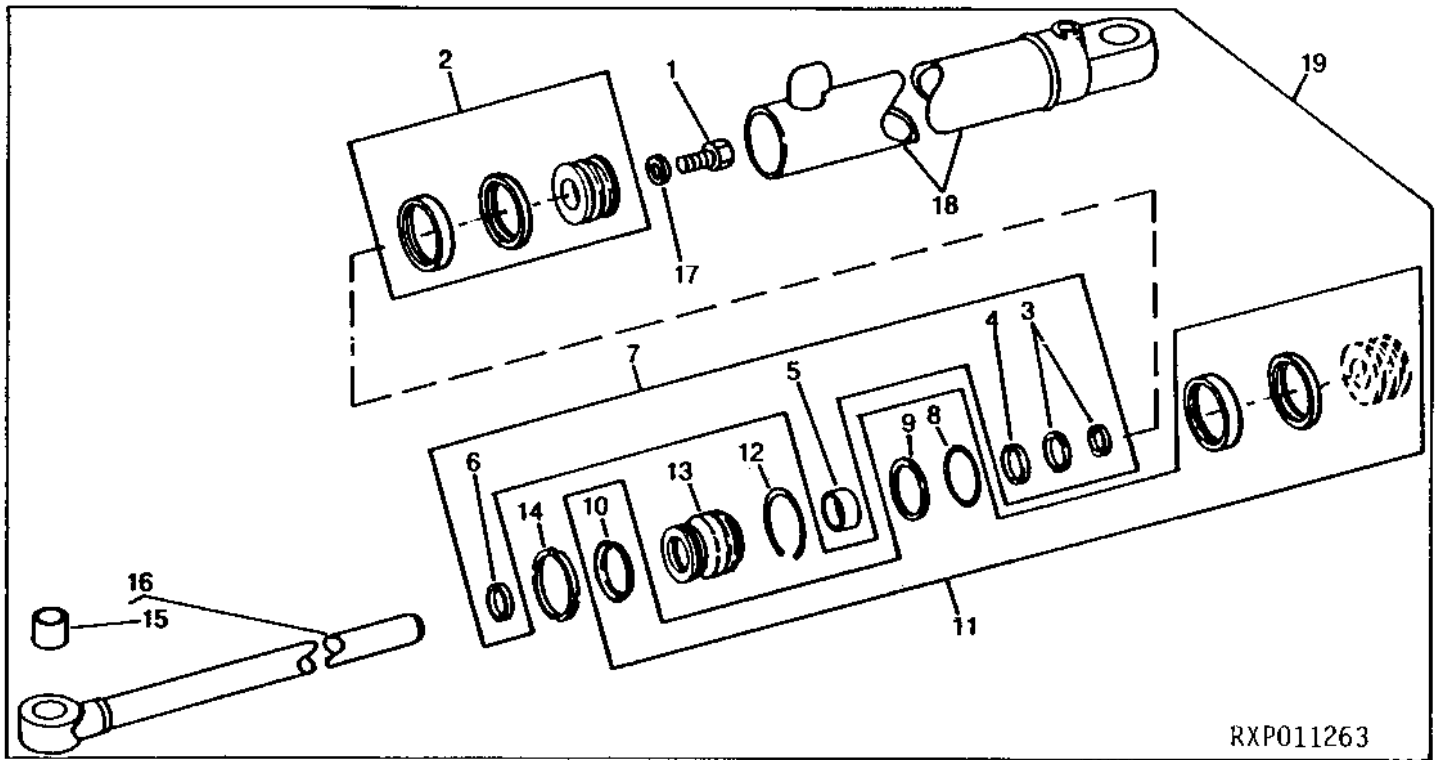
KEY	PART NO.	PART NAME	QTY	TRACTOR SERIAL NO.	REMARKS
				8 8	
				1 2	
				0 0	
				0 0	
1	19H3632	CAP SCREW	1	X X	1" X 3", HS SAE 8
2	RE33968	PISTON	1	X X	
3	AH146460	SEAL	1	X X	
4	H152202	SEAL	1	X X	
5	H152793	BACK-UP RING	1	X X	
6	AH146556	SEAL	1	X X	
7	AH149813	HYDRAULIC CYLINDER KIT	1	X X	
8	R83575	O-RING	1	X X	
9	R81864	BACK-UP RING	1	X X	
10	R91729	RING	1	X X	
11	RE37003	HYDRAULIC CYLINDER KIT	1	X X	
12	R81789	RING	1	X X	
13	H152347	HYDR. CYLINDER ROD GUIDE	1	X X	(A)
14	R81795	NUT	1	X X	
15	R89940	BUSHING	1	X X	
16	AH137764	ROD	1	X X	
17	R98322	SEAL	1	X X	
18	AH144349	HYDRAULIC CYLINDER BARREL	1	X X	
19	H145176	WASHER	1	X X	
20	R98323	SEAL	1	X X	
21	AH149420	HYDRAULIC CYLINDER	1	X X	

WITH V GROOVE
 AVEC RAINURE EN U
 MIT V-RILLE
 CON SCANALATURA A V
 CON RANURA EN V
 MED V-SKAARA

7E22

HYDRAULICS

LIFT CYLINDER (90 MM) (8100 -011595; 8200 -011401; 8300 -011703; 8400 -011727)
 VERIN DE RELEVAGE (90 MM) (8100 -011595; 8200 -011401; 8300 -011703; 8400 -011727)
 HUBZYLINDER (90 MM) (8100 -011595; 8200 -011401; 8300 -011703; 8400 -011727)
 CILINDRO DI SOLLEVAMENTO (90 MM) (8100 -011595; 8200 -011401; 8300 -011703; 8400 -011727)
 CILINDRO DE ELEVACION (90 MM) (8100 -011595; 8200 -011401; 8300 -011703; 8400 -011727)
 LYFTCYLINDER (90 MM) (8100 -011595; 8200 -011401; 8300 -011703; 8400 -011727)
 RXP011263 -UN-01JAN94



RXP011263

KEY	PART NO.	PART NAME	QTY	TRACTOR SERIAL NO.	A	REMARKS
					L	
1	19H3632	CAP SCREW	1		X	1" X 3", HS SAE 8
2	AH136453	PISTON	1		X	
3	RE20491	SEAL	1		X	
4	R81856	SEAL	1		X	
5	R81779	WEAR RING	1		X	
6	RE24535	SEAL	1		X	
7	RE20434	HYDRAULIC CYLINDER KIT	1		X	
8	R83576	O-RING	1		X	
9	R79101	BACK-UP RING	1		X	
10	R91730	RING	1		X	
11	AH134955	HYDRAULIC CYLINDER KIT	1		X	
12	R81788	RING	1		X	
13	R81766	HYDR. CYLINDER ROD GUIDE	1		X	(A) (SUB H157642 AND AH149813)
14	R81794	NUT	1		X	
15	R89940	BUSHING	1		X	
16	AH137764	ROD	1		X	
17	H145176	WASHER	1		X	
18	AH144350	HYDRAULIC CYLINDER BARREL	1		X	
19	AH149422	HYDRAULIC CYLINDER	1		X	(SUB FOR AH144352)

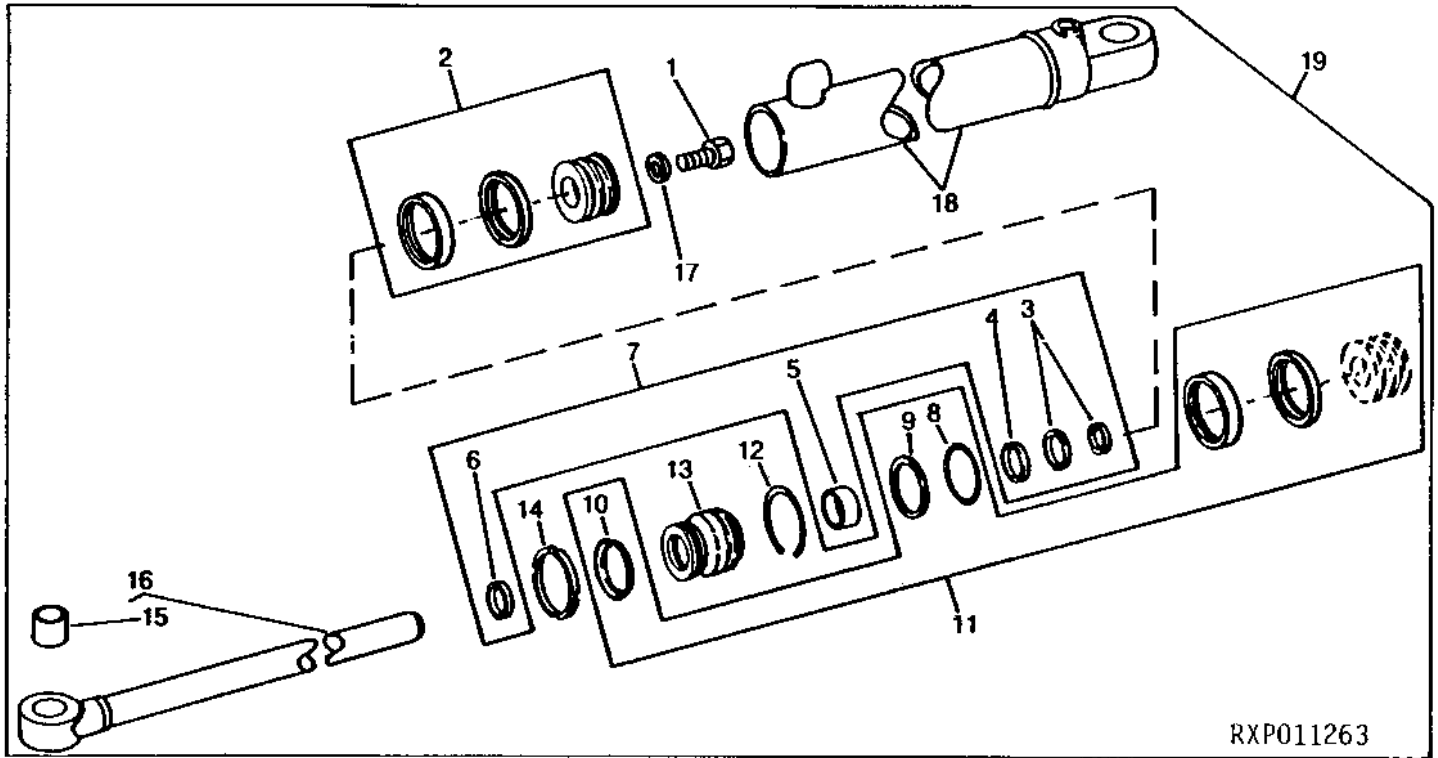
W/O V GROOVE
 SANS RAINURE EN V
 OHNE V-RILLE
 SENZA SCANALATURA A V
 SIN RANURA EN V
 UTAN V-SKAARA

7E23

HYDRAULICS

LIFT CYLINDER (90 MM) (8100 011596- ; 8200 011401- ; 8300 011703- ; 8400 011727-)
 VERIN DE RELEVAGE (90 MM) (8100 011596- ; 8200 011401- ; 8300 011703- ; 8400 011727-)
 HUBZYLINDER (90 MM) (8100 011596- ; 8200 011401- ; 8300 011703- ; 8400 011727-)
 CILINDRO DI SOLLEVAMENTO (90 MM) (8100 11596- ; 8200 11401- ; 8300 11703- ; 8400 11727-)
 CILINDRO DE ELEVACION (90 MM) (8100 11596- ; 8200 11401- ; 8300 11703- ; 8400 11727-)
 LYFTCYLINDER (90 MM) (8100 011596- ; 8200 011401- ; 8300 011703- ; 8400 011727-)

RXP011263 -UN-01JAN94



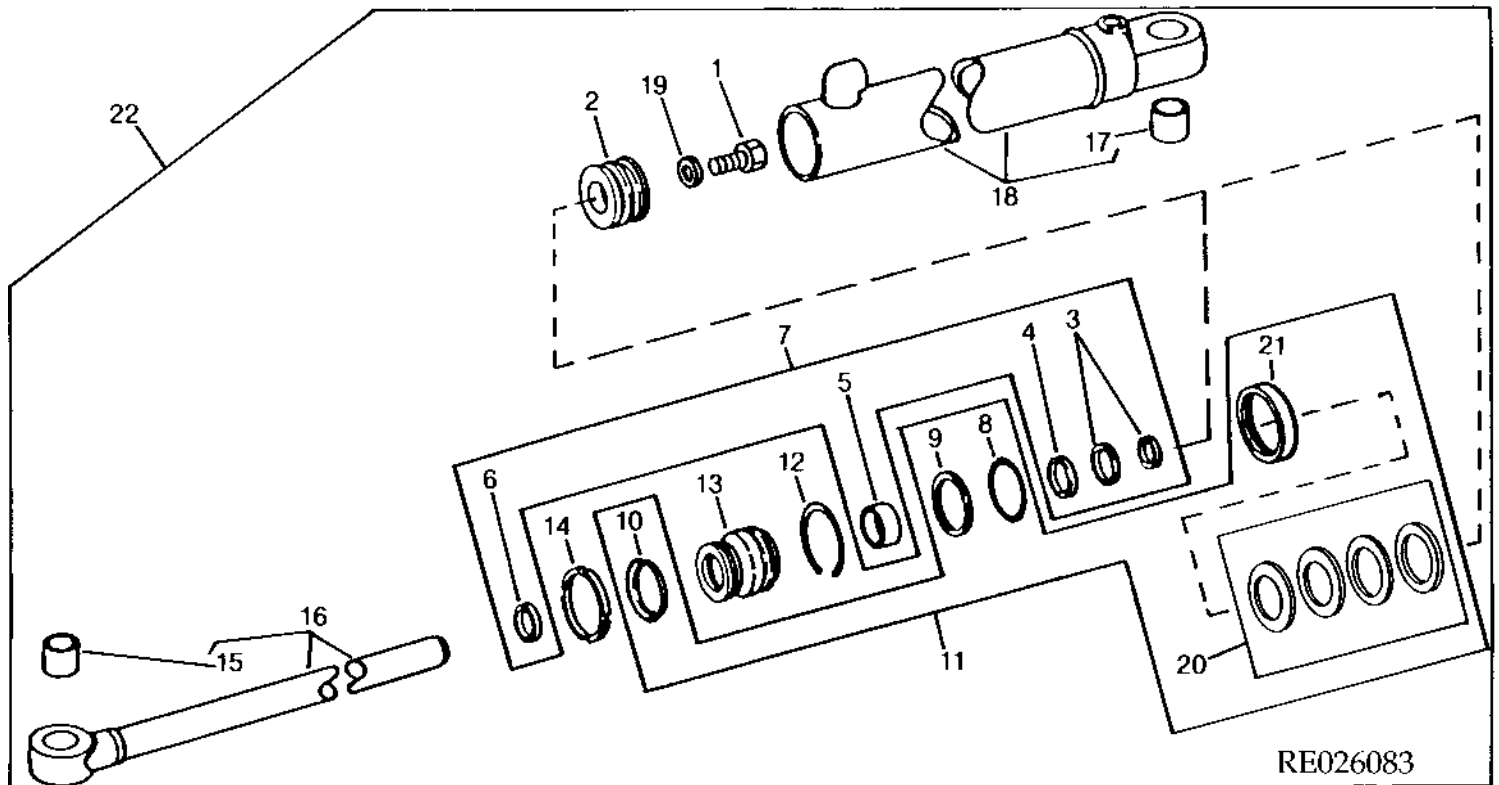
KEY	PART NO.	PART NAME	QTY	TRACTOR SERIAL NO.	A	
					L	REMARKS
1	19H3632	CAP SCREW	1		X	1" X 3", HS SAE 8
2	AH136453	PISTON	1		X	
3	AH146560	SEAL	1		X	
4	H152202	SEAL	1		X	
5	H152793	BACK-UP RING	1		X	
6	AH146556	SEAL	1		X	
7	AH149813	HYDRAULIC CYLINDER KIT	1		X	
8	R83576	O-RING	1		X	
9	R79101	BACK-UP RING	1		X	
10	R91730	RING	1		X	
11	AH134955	HYDRAULIC CYLINDER KIT	1		X	
12	R81788	RING	1		X	
13	H157642	HYDR. CYLINDER ROD GUIDE	1		X	(A)
14	R81794	NUT	1		X	
15	R89940	BUSHING	1		X	
16	AH137764	ROD	1		X	
17	H145176	WASHER	1		X	
18	AH144350	HYDRAULIC CYLINDER BARREL	1		X	
19	AH149422	HYDRAULIC CYLINDER	1		X	

WITH V GROOVE
 AVEC RAINURE EN U
 MIT V-RILLE
 CON SCANALATURA A V
 CON RANURA EN V
 MED V-SKAARA

7E24

HYDRAULICS

LIFT CYLINDER (N.A.HIGH LIFT HITCH) (100 MM) (8100 -011595;8200 -011401;8300 -011703;8400 -011727)
 VERIN DE RELEVAGE (N.A.ATTELAGE HIGH-LIFT)(81 -11595;82 -11401;83 -11703;8400 -11727)
 HUBZYLINDER (NORDAMERIKANISCHE HIGH-LIFT) (81 -011595;82 -011401;8300 -011703;8400 -011727)
 CILINDRO DI SOLLEVAMENTO(N.A.ATTACCO HIGH-LIFT)(81 -11595;82 -11401;83 -11703;84 -11727)
 CILINDRO DE ELEVACION (N.A. ENGANCHE HIGH-LIFT)(81 -11595;82 -11401;83 -11703;84 -11727)
 LYFTCYLINDER (NORDAMERIKANSK HIGH-LIFT-LYFT) (81 -011595;82 -011401;83 -011703;8400 -011727)
 RE026083 -UN-22MAR95



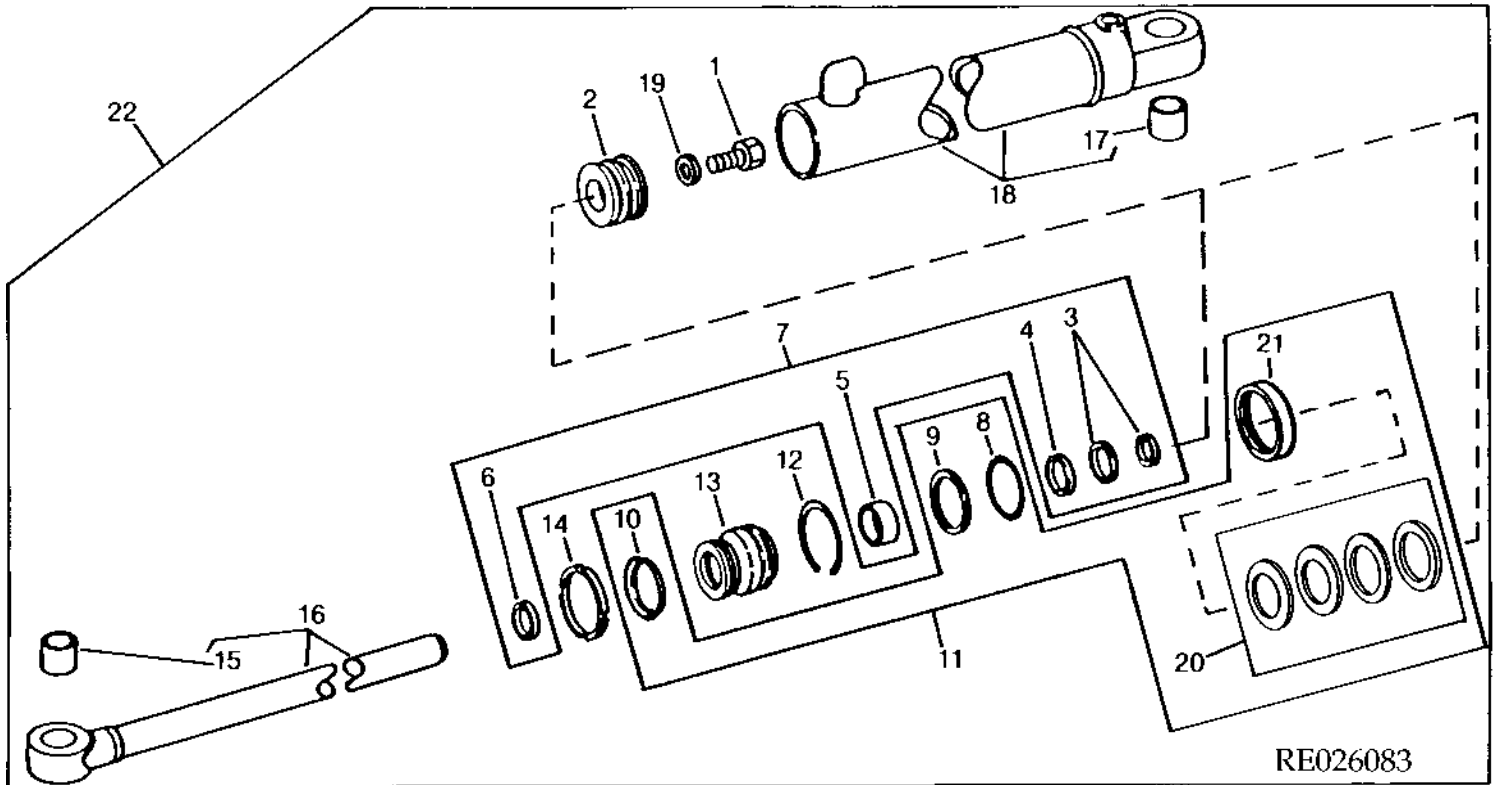
KEY	PART NO.	PART NAME	QTY	TRACTOR SERIAL NO.	A	
					L	REMARKS
1	19M8353	CAP SCREW	1		X	M30 X 80, HS 10.9
2	H145456	PISTON	1		X	
3	RE20757	SEAL	1		X	
4	R81973	SEAL	1		X	
5	R81975	WEAR RING	1		X	
6	RE24536	SEAL	1		X	
7	RE20595	HYDRAULIC CYLINDER KIT	1		X	
8	R83577	O-RING	1		X	
9	R81862	BACK-UP RING	1		X	
10	R91731	RING	1		X	
11	AH137687	HYDRAULIC CYLINDER KIT	1		X	(SUB AH149844)
12	R81787	RING	1		X	
13	R81972	HYDR. CYLINDER ROD GUIDE	1		X	(A) (SUB H157978 AND AH148164)
14	R81793	NUT	1		X	
15	R89940	BUSHING	1		X	
16	AH142570	ROD	1		X	
17	R89940	BUSHING	1		X	
18	AH142569	HYDRAULIC CYLINDER BARREL	1		X	
19	H145175	WASHER	1		X	
20	RE20343	SEAL	1		X	
21	R81775	WEAR RING	1		X	
22	AH141063	HYDRAULIC CYLINDER	1		X	(100 MM) (SUB AH148711)

W/O V GROOVE
 SANS RAINURE EN V
 OHNE V-RILLE
 SENZA SCANALATURA A V
 SIN RANURA EN V
 UTAN V-SKAARA

7E25

HYDRAULICS

LIFT CYLINDER (N.A.HIGH LIFT HITCH) (100 MM) (8100 11596- ;8200 11402- ;8300 11704- ;8400 11728-)
 VERIN DE RELEVAGE(N.A.ATTelage HIGH-LIFT)(100 MM)(81 11596- ;82 11402- ;83 11704- ;84 11728-)
 HUBZYLINDER (NORD AMERIKANISCHE HIGH-LIFT)(81 11596- ;82 11402- ;83 11704- ;8400 11728-)
 CILINDRO DI SOLLEVAMENTO (N.A.ATTACCO HIGH-LIFT)(81 11596- ;82 11402- ;83 11704- ;84 11728-)
 CILINDRO DE ELEVACION (N.A.ENGANCHE HIGH-LIFT)(81 11596- ;82 11402- ;83 11704- ;84 11728-)
 LYFTCYLINDER(NORDAMERIKANSK HIGH-LIFT-LYFT)(8100 11596- ;8200 11402- ;8300 11704- ;8400 11728-)
 RE026083 -UN-22MAR95



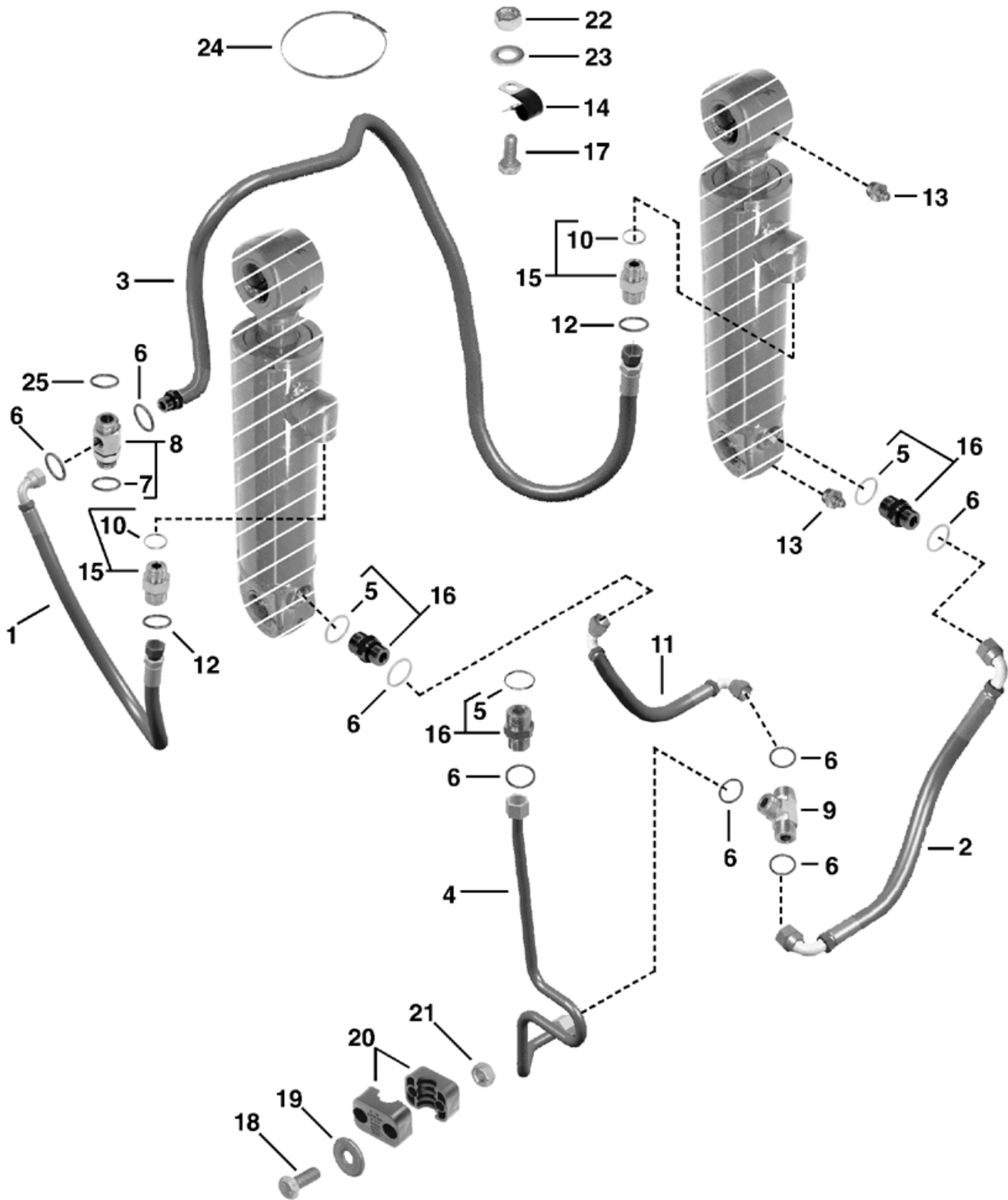
KEY	PART NO.	PART NAME	QTY	TRACTOR SERIAL NO.	A	
					L	REMARKS
1	19M8353	CAP SCREW	1		X	M30 X 80, HS 10.9
2	H145456	PISTON	1		X	
3	AH146561	SEAL	1		X	
4	H152203	SEAL	1		X	
5	H152794	WEAR RING	1		X	
6	AH146557	SEAL	1		X	
7	AH148164	HYDRAULIC CYLINDER KIT	1		X	
8	R83577	O-RING	1		X	
9	R81862	BACK-UP RING	1		X	
10	R91731	RING	1		X	
11	AH149844	KIT	1		X	
12	R81787	RING	1		X	
13	H157978	HYDR. CYLINDER ROD GUIDE	1		X	(A)
14	R81793	NUT	1		X	
15	R89940	BUSHING	1		X	
16	AH142570	ROD	1		X	
17	R89940	BUSHING	1		X	
18	AH142569	HYDRAULIC CYLINDER BARREL	1		X	
19	H145175	WASHER	1		X	
20	RE20343	SEAL	1		X	
21	R81775	WEAR RING	1		X	
22	AH148711	HYDRAULIC CYLINDER	1		X	(100 MM)

WITH V GROOVE
 AVEC RAINURE EN U
 MIT V-RILLE
 CON SCANALATURA A V
 CON RANURA EN V
 MED V-SKAARA

7F1

HYDRAULICS

LIFT CYLINDER LINES (NORTH AMERICAN VERSION)
CONDUITES DE VERIN DE RELEVAGE (VERSION NORD AMERICAINE)
HUBZYLINDERLEITUNGEN (NORDAMERIKANISCHE AUSFUEHRUNG)
TUBI DEL CILINDRO DI SOLLEVAMENTO (VERSIONE NORDAMERICANA)
LINEAS DEL CILINDRO DE ELEVACION (VERSION NORTEAMERICANA)
LYFTCYLINDERLEDNINGAR (NORDAMERIKANSK VERSION)
RE026088 -UN-13MAR95



RE026088

7F2

HYDRAULICS

KEY	PART NO.	PART NAME	QTY	TRACTOR SERIAL NO.	A L L	REMARKS
1	RE44743	HYDRAULIC HOSE	1		X	
2	RE60619	HYDRAULIC HOSE - FABRICATE	1		X	
3	RE44774	HYDRAULIC HOSE	1		X	
4	RE60852	OIL LINE	1	-XXXXXX	X	
	RE62507	OIL LINE	1	XXXXXX-	X	
5	51M7045	O-RING	3		X	19.300 X 2.200 MM
6	T77932	O-RING	8		X	
7	51M7048	O-RING	1		X	29.600 X 2.900 MM
	51M7043	O-RING	1		X	(A) 15.300 X 2.200 MM
8	RE58409	CONNECTOR	1		X	
	RE46685	PLUG	1		X	(A)
9	38H5112	TEE FITTING	1		X	
10	51M7045	O-RING	2		X	19.300 X 2.200 MM
11	RE60623	HYDRAULIC HOSE	1	-XXXXXX	X	(SUB RE62785)
	RE62785	HYDRAULIC HOSE - FABRICATE	1	XXXXXX-	X	
12	T77857	O-RING	2		X	
13	JD7798	LUBRICATION FITTING	4		X	
14	T70659	CLAMP	1		X	
15	38H5076	ADAPTER	2		X	
16	38H5004	ADAPTER	2		X	
17	19M7167	CAP SCREW	1		X	M10 X 25
18	19M7834	SCREW	2		X	M6 X 45, HS 10.9
19	24M7139	WASHER	2		X	6.400 X 18 X 1.600 MM
20	H115533	CLAMP	2		X	
21	14M7272	NUT	2		X	M6
22	14M7274	NUT	1		X	M10
23	24M7207	WASHER	1		X	8.400 X 24 X 2 MM
24	R76477	TIE BAND	AR		X	
25	T76938	O-RING	1		X	

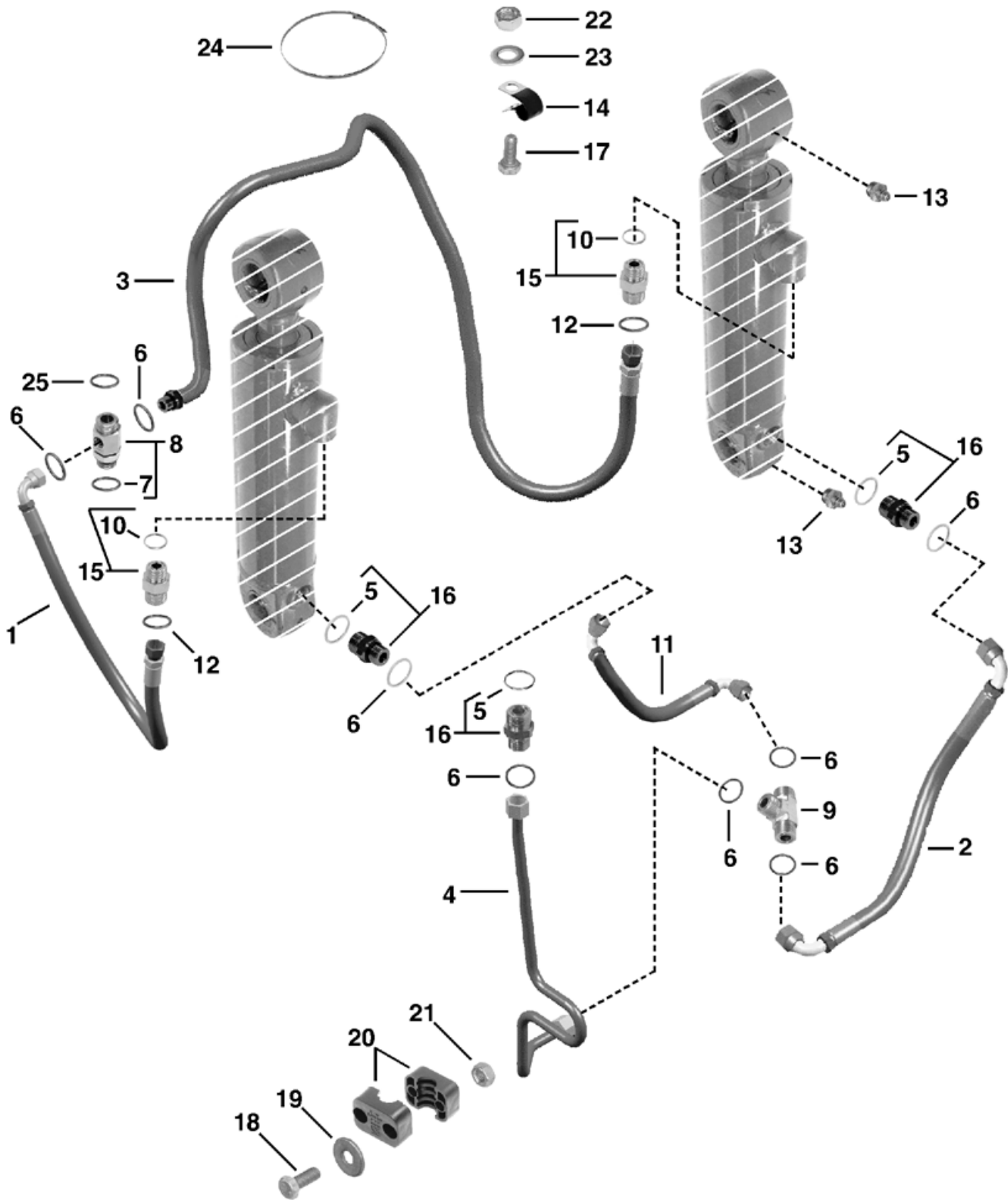
(A) W/O HITCH
 SANS ATTELAGE
 OHNE DREIPUNKTAUFHAENGUNG
 SENZA ATTACCO
 SENZA ENCANCHE
 UTAN DRAGKOPPLING

7F3

HYDRAULICS

LIFT CYLINDER LINES (EUROPEAN VERSION)
CONDUITES DE VERIN DE RELEVAGE (VERSION EUROPEENNE)
HUBZYLINDERLEITUNGEN (EUROPAEISCHE AUSFUEHRUNG)
TUBI DEL CILINDRO DI SOLLEVAMENTO (VERSIONE EUROPEA)
LINEAS DEL CILINDRO DE ELEVACION (VERSION EUROPEA)
LYFTCYLINDERLEDNINGAR (EUROPEISK VERSION)

RE026088 -UN-13MAR95



RE026088

7F4

HYDRAULICS

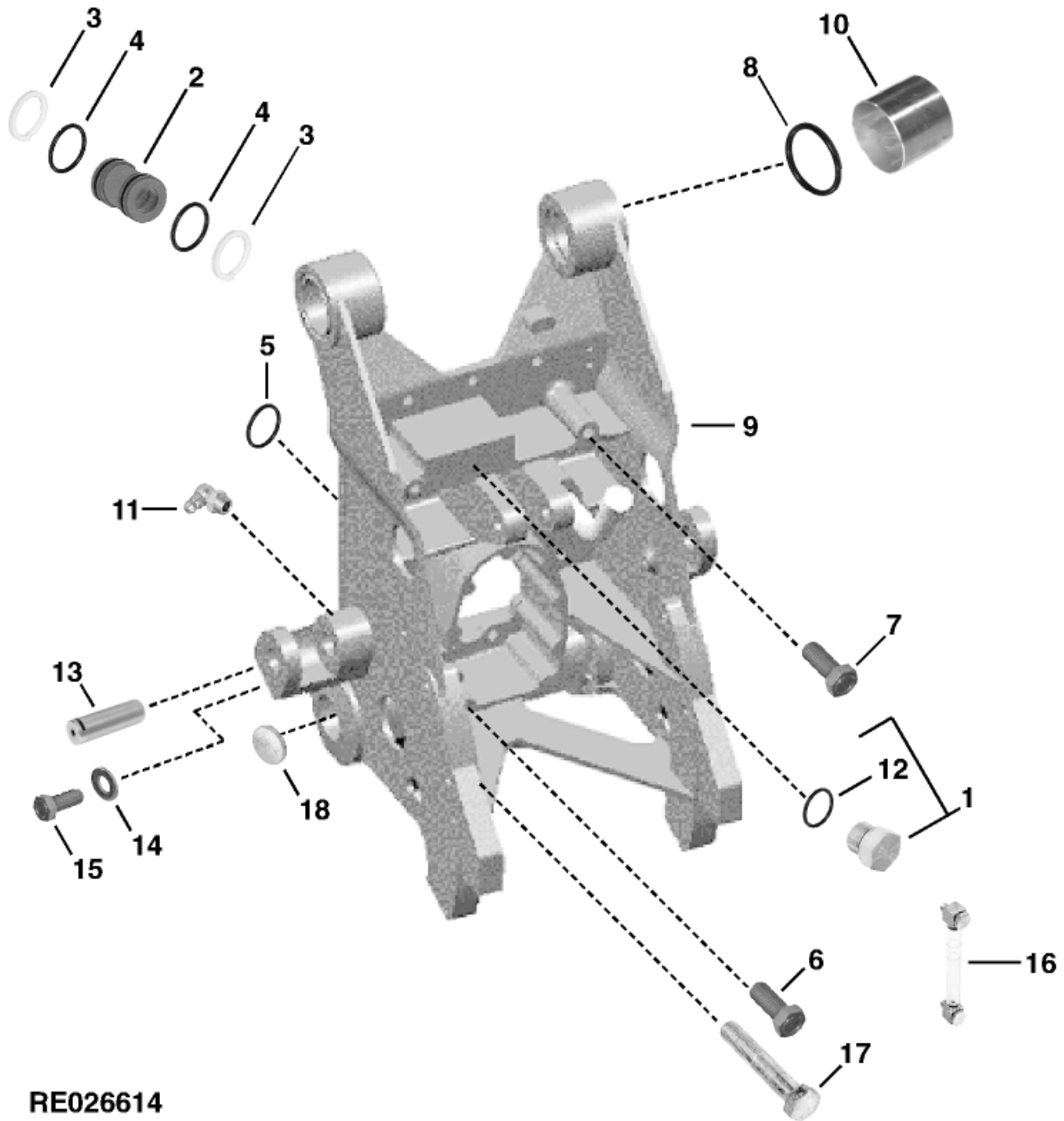
KEY	PART NO.	PART NAME	QTY	TRACTOR SERIAL NO.	A L L	REMARKS
1	RE44743	HYDRAULIC HOSE	1		X	
2	RE60619	HYDRAULIC HOSE - FABRICATE	1		X	
3	RE44774	HYDRAULIC HOSE	1		X	
4	RE60852	OIL LINE	1	-XXXXXX	X	
	RE62507	OIL LINE	1	XXXXXX-	X	
5	51M7045	O-RING	3		X	19.300 X 2.200 MM
6	T77932	O-RING	8		X	
7	51M7048	O-RING	1		X	29.600 X 2.900 MM
	51M7043	O-RING	1		X	(A) 15.300 X 2.200 MM
8	RE58409	CONNECTOR	1		X	
	RE46685	PLUG	1		X	(A)
9	38H5112	TEE FITTING	1		X	
10	51M7045	O-RING	2		X	19.300 X 2.200 MM
11	RE60623	HYDRAULIC HOSE	1	-XXXXXX	X	(SUB RE62785)
	RE62785	HYDRAULIC HOSE - FABRICATE	1	XXXXXX-	X	
12	T77857	O-RING	2		X	
13	JD7798	LUBRICATION FITTING	4		X	
14	T70659	CLAMP	1		X	
15	38H5076	ADAPTER	2		X	
16	38H5004	ADAPTER	2		X	
17	19M7167	CAP SCREW	1		X	M10 X 25
18	19M7834	SCREW	2		X	M6 X 45, HS 10.9
19	24M7139	WASHER	2		X	6.400 X 18 X 1.600 MM
20	H115533	CLAMP	2		X	
21	14M7272	NUT	2		X	M6
22	14M7274	NUT	1		X	M10
23	24M7207	WASHER	1		X	8.400 X 24 X 2 MM
24	R76477	TIE BAND	AR		X	
25	T76938	O-RING	1		X	

(A) W/O HITCH
 SANS ATTELAGE
 OHNE DREIPUNKTAUFHAENGUNG
 SENZA ATTACCO
 SENZA ENCANCHE
 UTAN DRAGKOPPLING

7F5

HYDRAULICS

HITCH FRAME
BATI D'ATTELAGE
RAHMEN DER ANHAENGEVORRICHTUNG
TELAIO DEL SOLLEVATORE
BASTIDOR DEL ENGANCHE
LYFTRAM
RE026614 -UN-08DEC95



RE026614

7F6

HYDRAULICS

KEY	PART NO.	PART NAME	QTY	AXLE SERIAL NO.	A L L	REMARKS
1	RE46687	FITTING	3		X	
2	R114349	TUBE	1		X	(B)
3	R26485	BACK-UP RING	2		X	
4	U11647	O-RING	2		X	
5	T74425	O-RING	1		X	(C)
6	19M7597	CAP SCREW	11		X	M20 X 50, HS 10.9
7	19M8026	CAP SCREW	2		X	M20 X 170, HS 10.9
8	A5598R	O-RING	2	-XXXXXX	X	(D)
	R135000	PACKING	2	XXXXXX-	X	(E)
9	R122866	FRAME	1	-010585	X	(SUB R128134, R128044 AND R126408)
	R128134	FRAME	1	010586-XXXXXX	X	(D)
	R134737	FRAME	1	XXXXXX-	X	(E)
	JD7781	LUBRICATION FITTING	2	XXXXXX-	X	(E)
10	R107755	BUSHING	2		X	
11	JD7799	LUBRICATION FITTING	4		X	
	N158796	PLUG	1		X	(A)
12	51M7045	O-RING	3		X	19.300 X 2.200 MM
13	R122313	PIN	2		X	
14	R124347	WASHER	2		X	
15	19M7938	CAP SCREW	2		X	M10 X 20, HS 10.9
16	RE57519	GAUGE	1		X	
17	19M7969	CAP SCREW	2		X	M20 X 110
18	R111793	PLUG	1		X	(A) R.H.
	R111794	PLUG	1		X	(A) L.H.
..	TY16021	SEALANT	1		X	

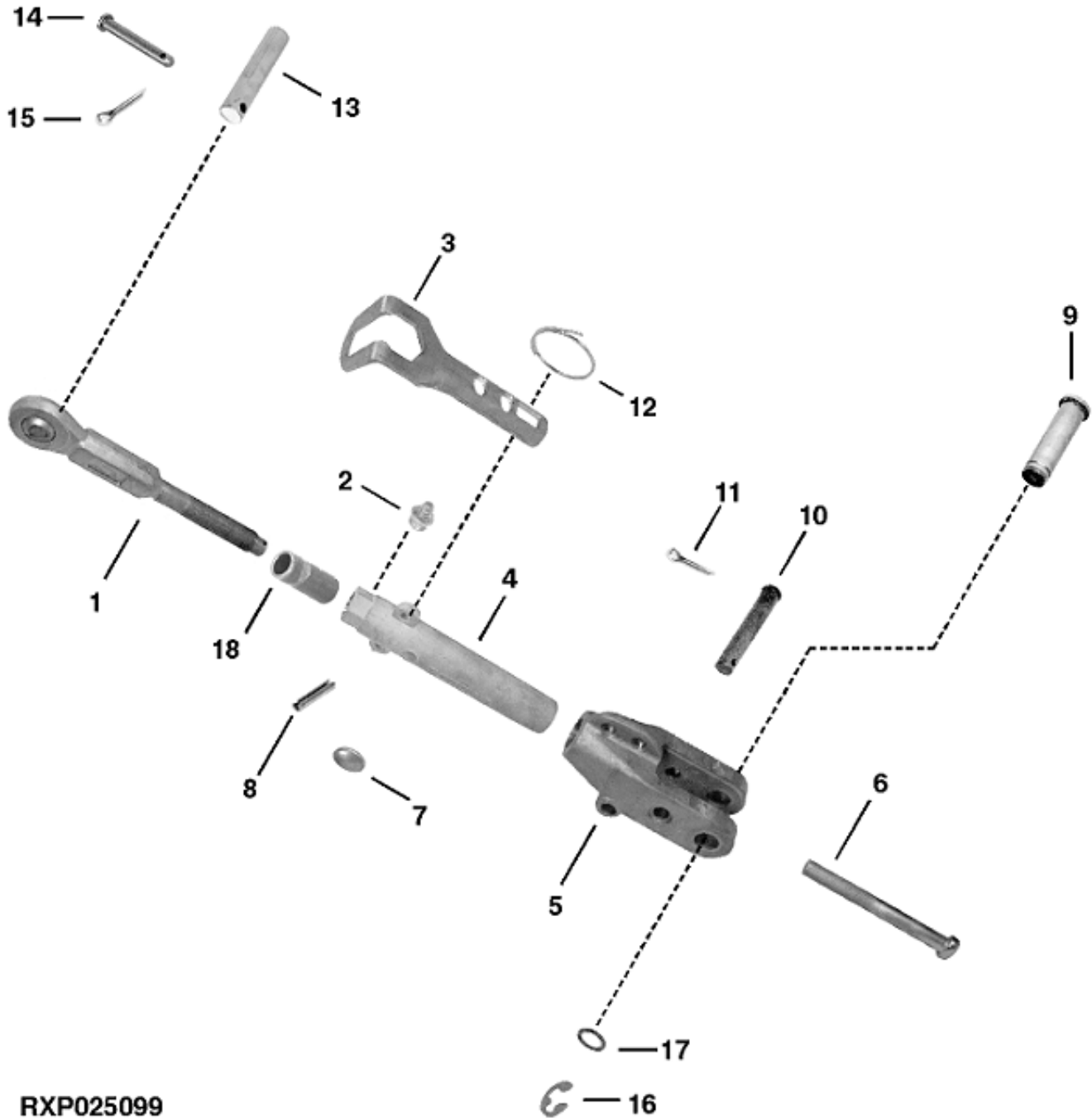
(A) W/O HITCH
W/O ATTELAGE
W/O ANHAENGEVORRICHTUNG
W/O ATTACCO
W/O ENGANCHE
W/O LYFT

(B) PRESSURE
PRESSION
DRUCK
PRESSIONE
PRESION
TRYCK

(C) RETURN
RETOUR
RUECKLAUF
RETORNO
RITORNO
RETUR

(D) (-XXXXXX) 8100-025513; 8200-025493; 8300-025500; 8400-025519
(E) (XXXXXX-) 8100-025514; 8200-025494; 8300-025501; 8400-025520

LIFT LINK
BIELLES DE RELEVAGE
HUBSPINDELN
TIRANTI DI SOLLEVAMENTO
BRAZOS DE ELEVACION
LYFTARMAR
RXP025099 -UN-01JAN94



RXP025099

7F8

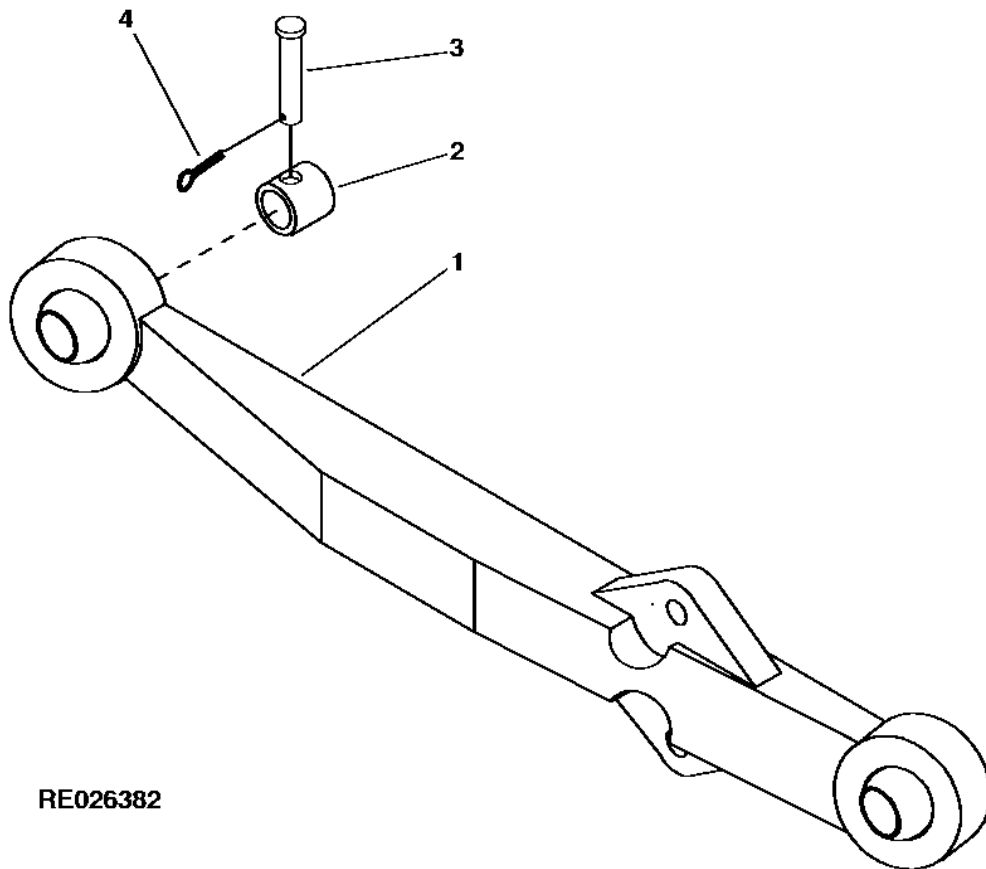
HYDRAULICS

KEY	PART NO.	PART NAME	QTY	TRACTOR SERIAL NO.	A L L	REMARKS
1	RE39700	END	1		X	
2	JD7798	LUBRICATION FITTING	2		X	
3	R96295	LOCK	1		X	
4	R96293	LINK BODY	1		X	
5	R117872	YOKE	1		X	
6	R107759	LIFT LINK	1		X	
7	30H6	PLUG	1		X	9/16"
8	34M7102	SPRING PIN	1		X	5 X 26 MM
9	R65239	PIN	2		X	
10	R63737	PIN	1		X	
11	11M7021	COTTER PIN	1		X	4 X 25 MM
12	R80436	RING	2		X	
13	R79916	DOWEL PIN	2		X	
14	R69166	PIN	2		X	
15	11M7059	COTTER PIN	2		X	3.200 X 20 MM
16	A602R	SNAP RING	2		X	
17	R65240	WASHER	2		X	
18	28H407	SPACER	1		X	0.824" X 1.050" X 3-1/4"

7F9

HYDRAULICS

DRAFT LINK (NORTH AMERICAN VERSION)
BARRES DE TRACTION (VERSION NORD AMERICAINE)
UNTERLENKER (NORDAMERIKANISCHE AUSFUEHRUNG)
TIRANTI DI TRAZIONE (VERSIONE NORDAMERICANA)
BRAZOS DE TIRO (VERSION NORTEAMERICANA)
DRAGARMAR (NORDAMERIKANSK VERSION)
RE026382 -UN-14JUL95



RE026382

7F10

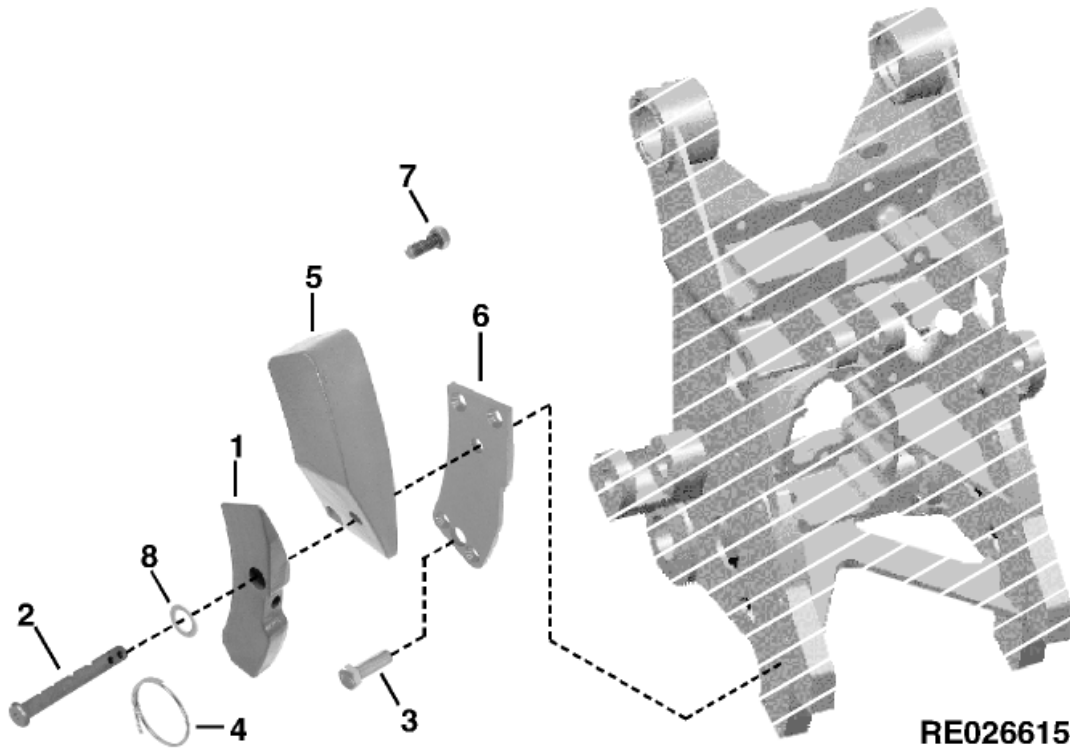
HYDRAULICS

KEY	PART NO.	PART NAME	QTY	TRACTOR SERIAL NO.	A L L	REMARKS
1	RE68475	DRAFT LINK	2		X	(SUB FOR RE44872)
2	R108270	LOCKING COLLAR	2		X	
3	R108282	PIN	2		X	
4	11M7028	COTTER PIN	2		X	5 X 32 MM

7F11

HYDRAULICS

SWAY BLOCK
 CALE STABILISATRICE
 STABILISIERUNGSANSCHLAG
 BLOCCO STABILIZZATORE
 BLOQUE ESTABILIZADOR
 STABILISERINGSBLOCK
 RE026615 -UN-08DEC95

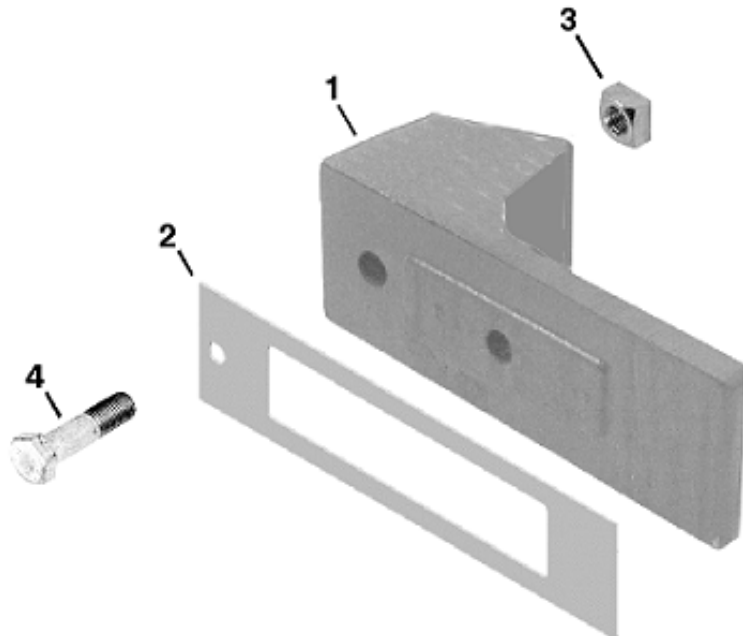


KEY	PART NO.	PART NAME	QTY	TRACTOR SERIAL NO.	A	
					L	REMARKS
1	R122794	SWAY BLOCK	1		X	R.H.
	R122795	SWAY BLOCK	1		X	L.H.
2	R57528	PIN	2		X	
3	R134232	BOLT	8		X	(SUB FOR R121564)
	R80436	RING	2		X	(SUB FOR AR62151)
5	R108277	EXTENSION	1		X	R.H.
	R108278	EXTENSION	1		X	L.H.
6	R122792	WEAR PLATE	1		X	R.H.
	R122793	WEAR PLATE	1		X	L.H.
7	19M8639	CAP SCREW	4		X	M20 X 70, HS 10.9
8	24H1658	WASHER	AR		X	21/32" X 1" X 0.060"

7F12

HYDRAULICS

DRAFT LINK BUMPER
BUTOIR DE BARRE DE TRACTION
UNTERLENKER-PUFFR
PARAURTI DEL TIRANTE DE TRAZIONE
PARAGOLPE DEL BRAZO DE TIRO
GUMMIBUFFERT FOER DRAGARM
 RXP025125 -UN-01JAN94



RXP025125

KEY	PART NO.	PART NAME	QTY	TRACTOR SERIAL NO.	A	REMARKS
					L	
1	R108285	BUMPER	2		X	
	R124819	BUMPER	2		X	(A) (B) (C) (D)
	28H3382	BUSHING	2		X	(A) (B) (C) (D) 0.546" X 0.840" X 5/8"
2	R124780	SHIM	AR		X	
3	14M7191	NUT	4		X	M12
4	19M8122	CAP SCREW	4		X	M12 X 85, HS 10.9

(A) EUROPEAN VERSION
 VERSION EUROPEENNE
 EUROPÄISCHE AUSFUEHRUNG
 VERSIONE EUROPEA
 VERSION EUROPEA
 EUROPEISK VERSION

(B) W/ CATEGORY II
 W/ CATEGORIE II
 W/ KATEGORIE II
 W/ CATEGORIA II
 W/ CATEGORIA II
 W/ KATEGORI II

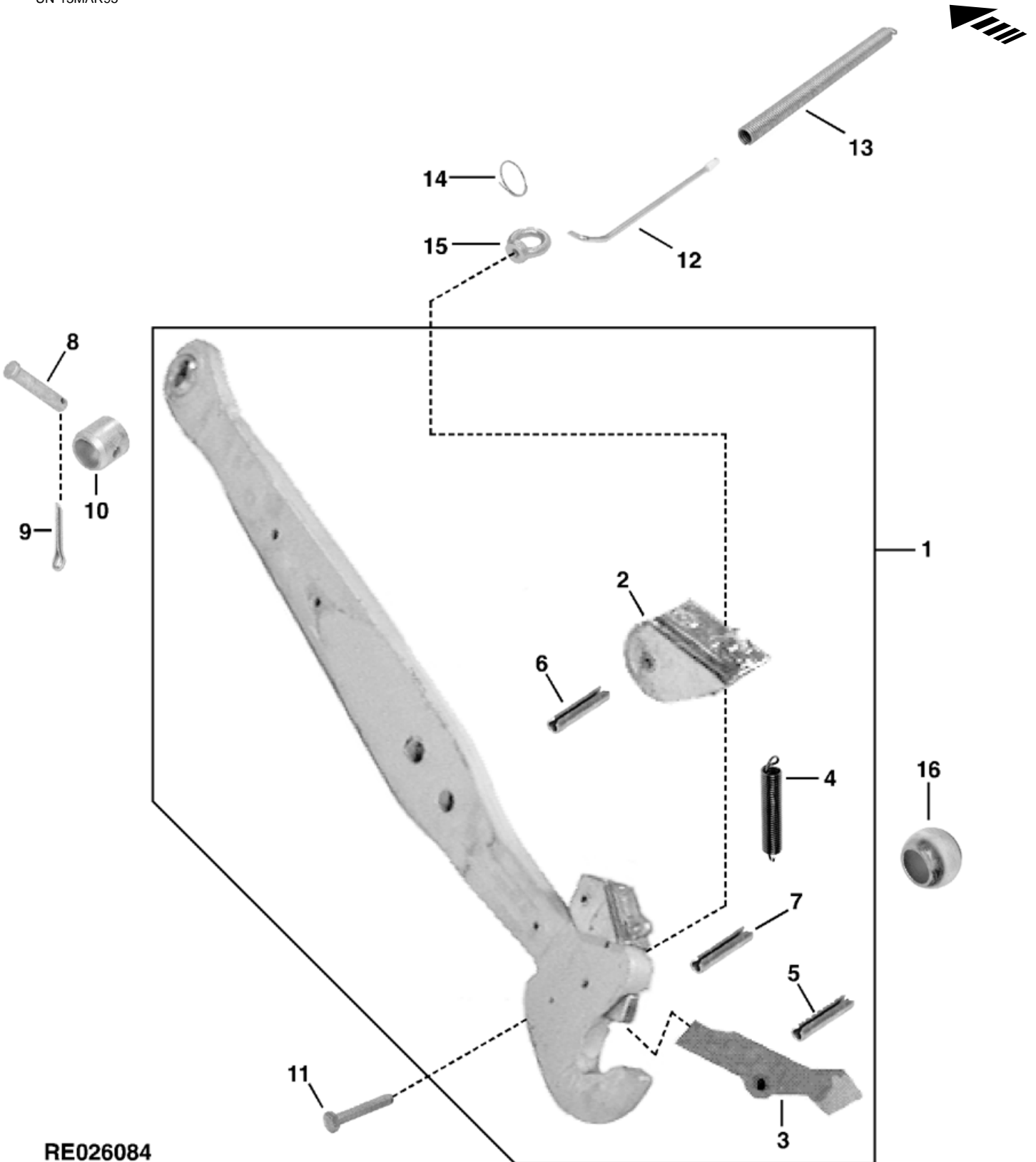
(C) W/ PICK-UP HITCH
 W/ ATTELAGE TELESCOPIQUE
 W/ PICK-UP ANHAENGEVORRICHTUNG
 W/ ATTACCO TELESCOPICO
 W/ ENGANCHE EXTENSIBLE
 W/ UTSKJUTBAR DRAGANORDNING

(D) W/ SWAY BLOCKS
 W/ CALE STABILISATRICE
 W/ STABILISIERUNGSANSCHLAG
 W/ BLOCCO STABILIZZATORE
 W/ BLOQUE ESTABILIZADOR
 W/ STABILISERINGSBLOCK

7F13

HYDRAULICS

DRAFT LINK (EUROPEAN VERSION)
BARRES DE TRACTION (VERSION EUROPEENNE)
UNTERLENKER (EUROPAEISCHE AUSFUEHRUNG)
TIRANTI DI TRAZIONE (VERSIONE EUROPEA)
BRAZOS DE TIRO (VERSION EUROPEA)
DRAGARMAR (EUROPEISK VERSION)
RE026084 -UN-13MAR95



RE026084

7F14

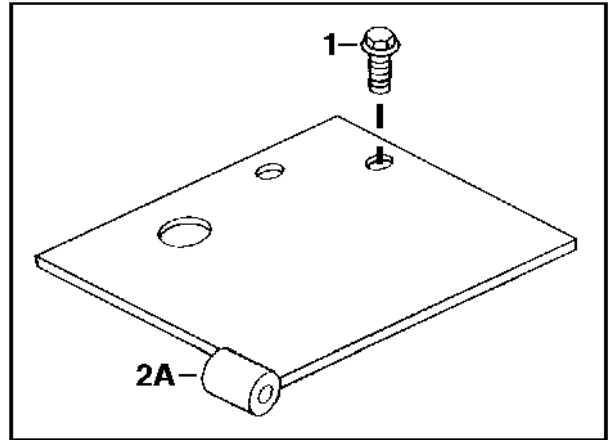
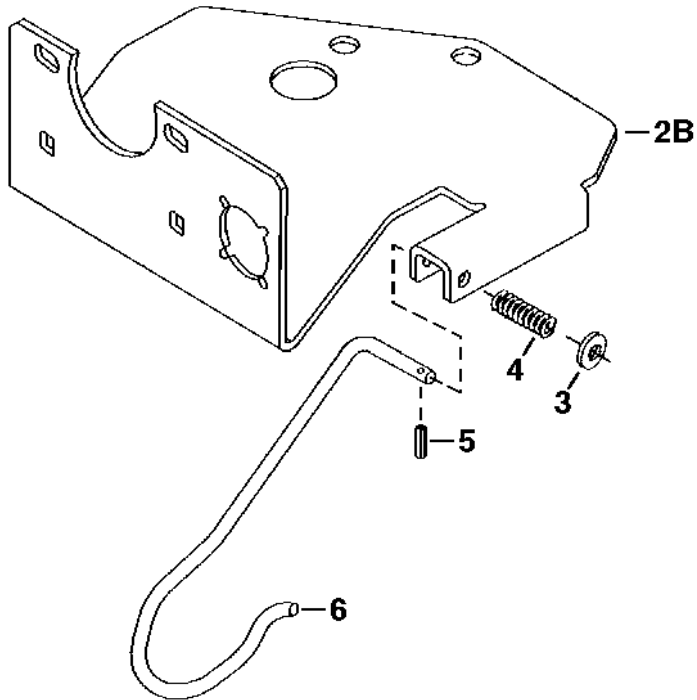
HYDRAULICS

KEY	PART NO.	PART NAME	QTY	TRACTOR SERIAL NO.	A	REMARKS
					L	
1	RE61514	DRAFT LINK	1	-XXXXXX	X	R.H. (SUB RE68597)
	RE68597	DRAFT LINK	1	XXXXXX-	X	R.H.
	RE61515	DRAFT LINK	1	-XXXXXX	X	L.H.
	RE68598	DRAFT LINK	1	XXXXXX-	X	L.H.
2	AL38684	LEVER	2		X	
3	L40811	PAWL	2		X	
4	L35036	SPRING	2		X	
5	34M7216	SPRING PIN	2		X	6 X 35 MM
6	34M7067	SPRING PIN	2		X	13 X 50 MM
7	34M7220	SPRING PIN	2		X	13 X 35 MM
8	R108282	PIN	2		X	
9	11M7028	COTTER PIN	2		X	5 X 32 MM
10	R108270	LOCKING COLLAR	2		X	
11	19M7378	CAP SCREW	2		X	M8 X 45
12	AL76943	ROD	1		X	
13	L32997	SPRING	1		X	
14	R80436	RING	1		X	
15	14M7284	NUT	2		X	M8
16	L40829	BALL	2		X	

7F15

HYDRAULICS

CENTER LINK HOOK (EUROPEAN VERSION)
 CROCHET DE BIELLE CENTRALE (VERSION EUROPEENNE)
 OBERLENKERHAKEN (EUROPAEISCHE AUSFUEHRUNG)
 GANCIO DEL TIRANTE CENTRALE (VERSIONE EUROPEA)
 GANCHO DEL BRAZO CENTRAL (VERSION EUROPEA)
 TOPPSTAANGSKROK (EUROPEISK VERSION)
 RE026655 -UN-19DEC95



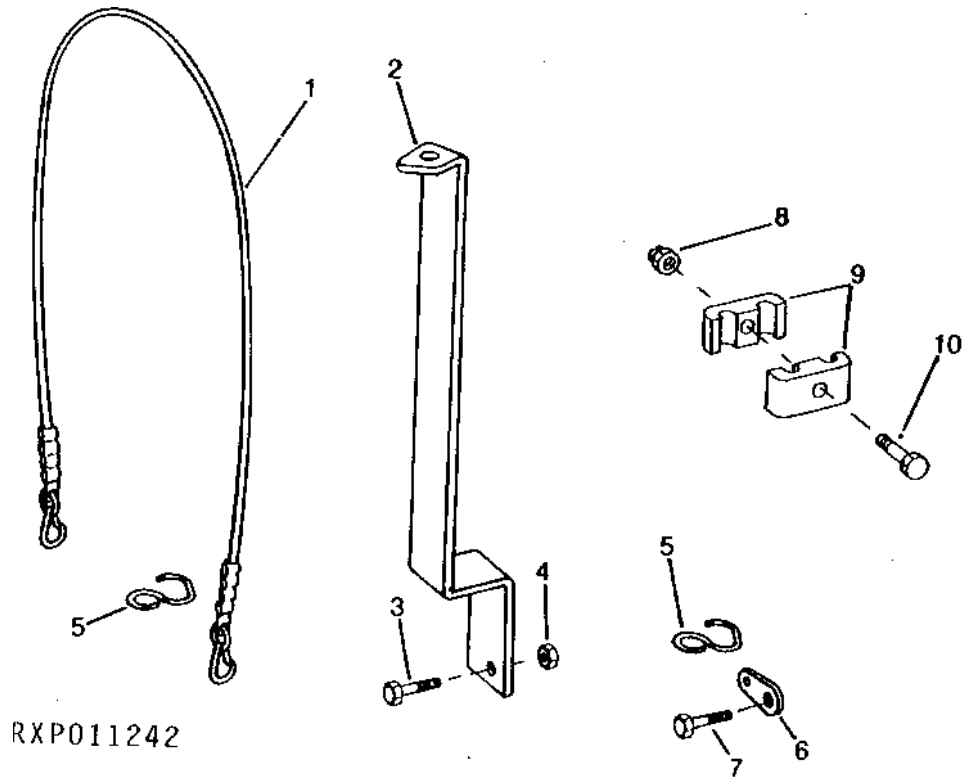
RE026655

KEY	PART NO.	PART NAME	QTY	TRACTOR SERIAL NO.	A		REMARKS
					L	L	
1	19M7787	SCREW	2	-XXXXXX	X		M12 X 20, HS 10.9
2A	RE61207	RETAINER	1	-XXXXXX	X		(SUB R128387)
2B	R128387	BRACKET	1	XXXXXX-	X		
3	24M7055	WASHER	1		X		8.400 X 16 X 1.600 MM
4	L41880	COMPRESSION SPRING	1		X		
5	34M7091	SPRING PIN	1		X		3.500 X 16 MM
6	L55431	HOOK	1		X		

7F16

HYDRAULICS

DRAFT LINK RELEASE CABLE (EUROPEAN VERSION)
 CABLE DE RELACHEMENT DE BARRE DE TRACTION (VERSION EUROPEENNE)
 UNTERLENKER-AUSRUECKKABEL (EUROPAEISCHE AUSFUEHRUNG)
 CAVO DI SGANCIO DEL TIRANTE DI TRAZIONE (VERSIONE EUROPEA)
 CABLE SOLTADOR DEL BRAZO DE TIRO (VERSION EUROPEA)
 UTLOESNINGSKABEL FOER DRAGARM (EUROPEISK VERSION)
 RXP011242 -UN-01JAN94



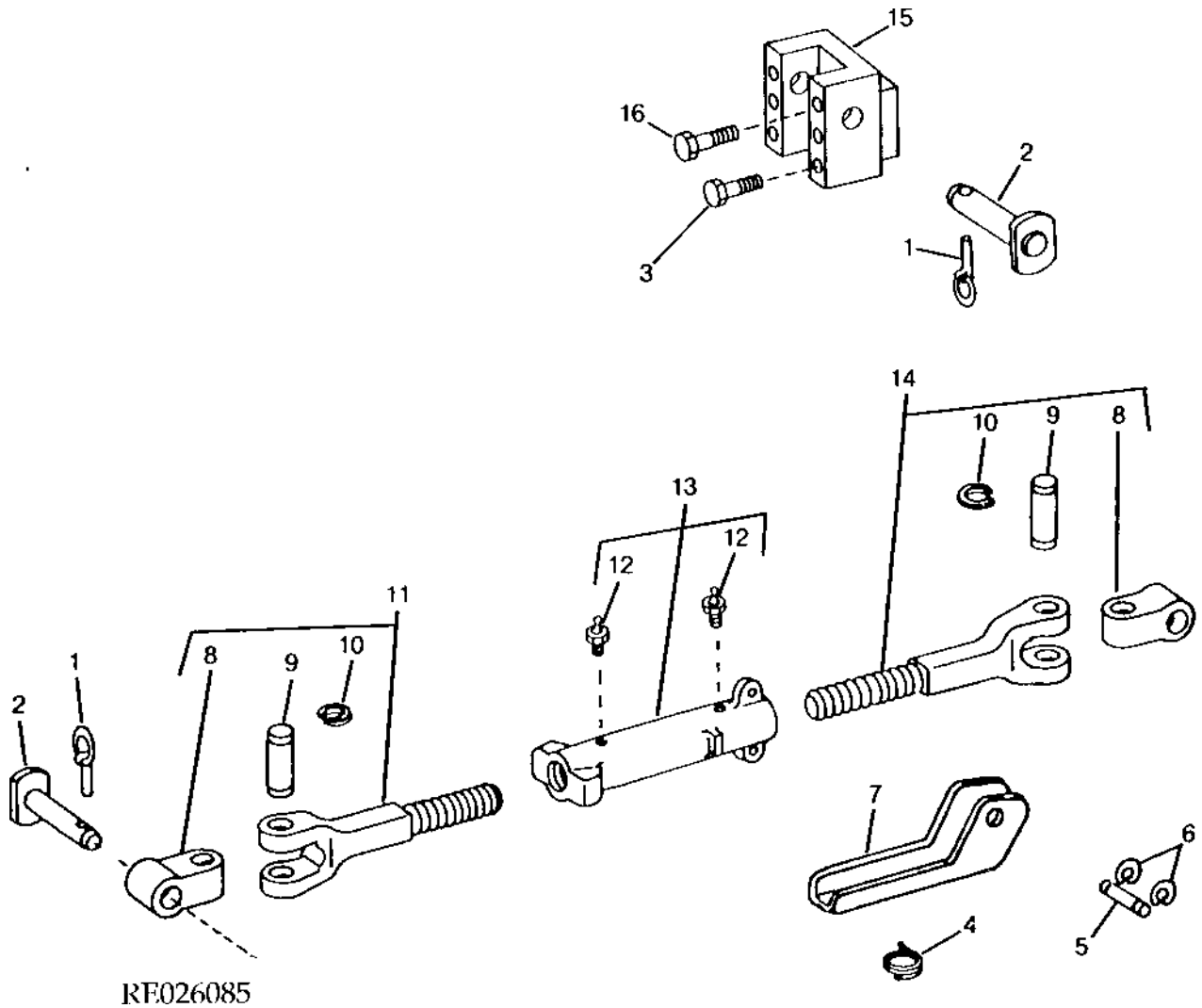
RXP011242

KEY	PART NO.	PART NAME	QTY	TRACTOR SERIAL NO.	A	REMARKS
					L	
1	AL75785	CABLE	1		X	
2	R121775	SUPPORT	1		X	
3	19M7550	CAP SCREW	2		X	M10 X 35, HS 10.9
4	14M7274	NUT	2		X	M10
5	R121884	HOOK	4		X	
6	R122135	STRAP	2		X	
7	19M7550	CAP SCREW	2		X	M10 X 35, HS 10.9
8	14M7376	LOCK NUT	1		X	M6
9	L39978	CLAMP	2		X	
10	21M7296	SCREW	1		X	M6 X 20

7F17

HYDRAULICS

CENTER LINK (REGULAR HITCH) (NORTH AMERICAN VERSION)
BIELLE CENTRALE (ATTelage STANDARD) (VERSION NORD AMERICAINE)
OBERLENKER (NORMALE ANHAENGEVORRICHTUNG) (NORDAMERIKANISCHE AUSFUEHRUNG)
TIRANTE CENTRALE (ATTACCO REGOLARE) (VERSIONE NORDAMERICANA)
BRAZO CENTRAL (ENGANCHE REGULAR) (VERSION NORTEAMERICANA)
TOPPSTAANG (STANDARDLYFT) (NORDAMERIKANSK VERSION)
RE026085 -UN-22MAR95



7F18

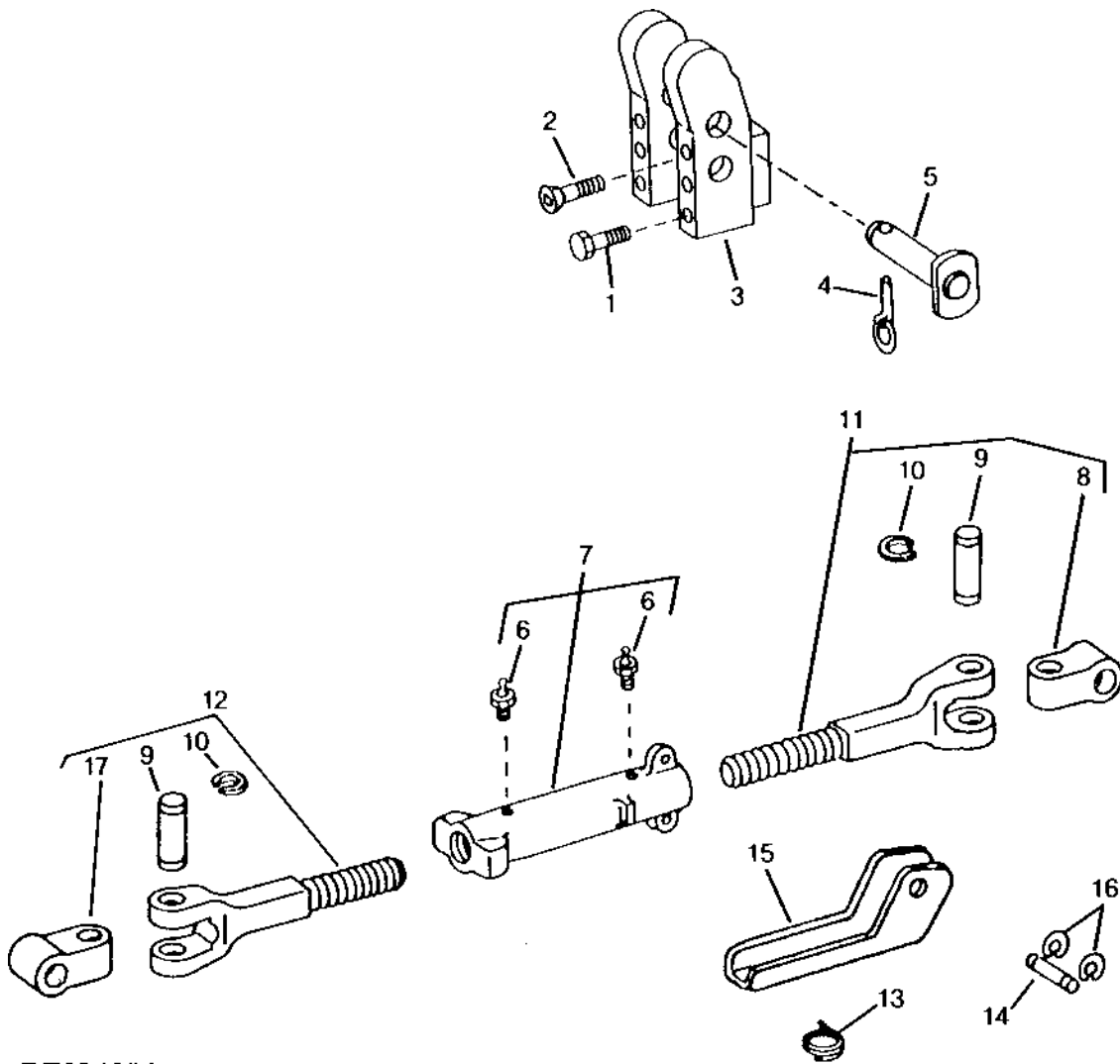
HYDRAULICS

KEY	PART NO.	PART NAME	QTY	TRACTOR SERIAL NO.	A L L	REMARKS
1	M115827	QUICK LOCK PIN	2		X	(SUB FOR AR62151)
2	R125450	PIN	2		X	
3	19M8503	CAP SCREW	6		X	M20 X 160, HS 10.9
4	R80436	RING	1		X	
5	R64085	PIN	1		X	
6	F3396R	SNAP RING	2		X	
7	R64084	YOKE	1		X	
8	R106911	PIVOT	2		X	
9	R67477	PIN	2		X	
10	R26643	SNAP RING	4		X	
11	RE44561	CENTER LINK END	1		X	
12	JD7798	LUBRICATION FITTING	2		X	
13	RE50533	DRAG LINK	1		X	
14	RE44559	CENTER LINK END	1		X	
15	R125449	BRACKET	1		X	
16	R126510	CAP SCREW	1		X	HS 12.9

7F19

HYDRAULICS

CENTER LINK (HIGH-LIFT HITCH) (NORTH AMERICAN VERSION)
BIELLE CENTRALE (ATTELAGE HIGH-LIFT) (VERSION NORD AMERICAINE)
OBERLENKER (ANHAENGEVORRICHTUNG HIGH-LIFT) (NORDAMERIKANISCHE AUSFUEHRUNG)
TIRANTE CENTRALE (ATTACCO HIGH-LIFT) (VERSIONE NORDAMERICANA)
BRAZO CENTRAL (ENGANCHE HIGH-LIFT) (VERSION NORTEAMERICANA)
TOPPSTAANG (HIGH-LIFT-LYFT) (NORDAMERIKANSK VERSION)) (NORDAMERIKANSK VERSION)
RE026086 -UN-22MAR95



RE026086

7F20

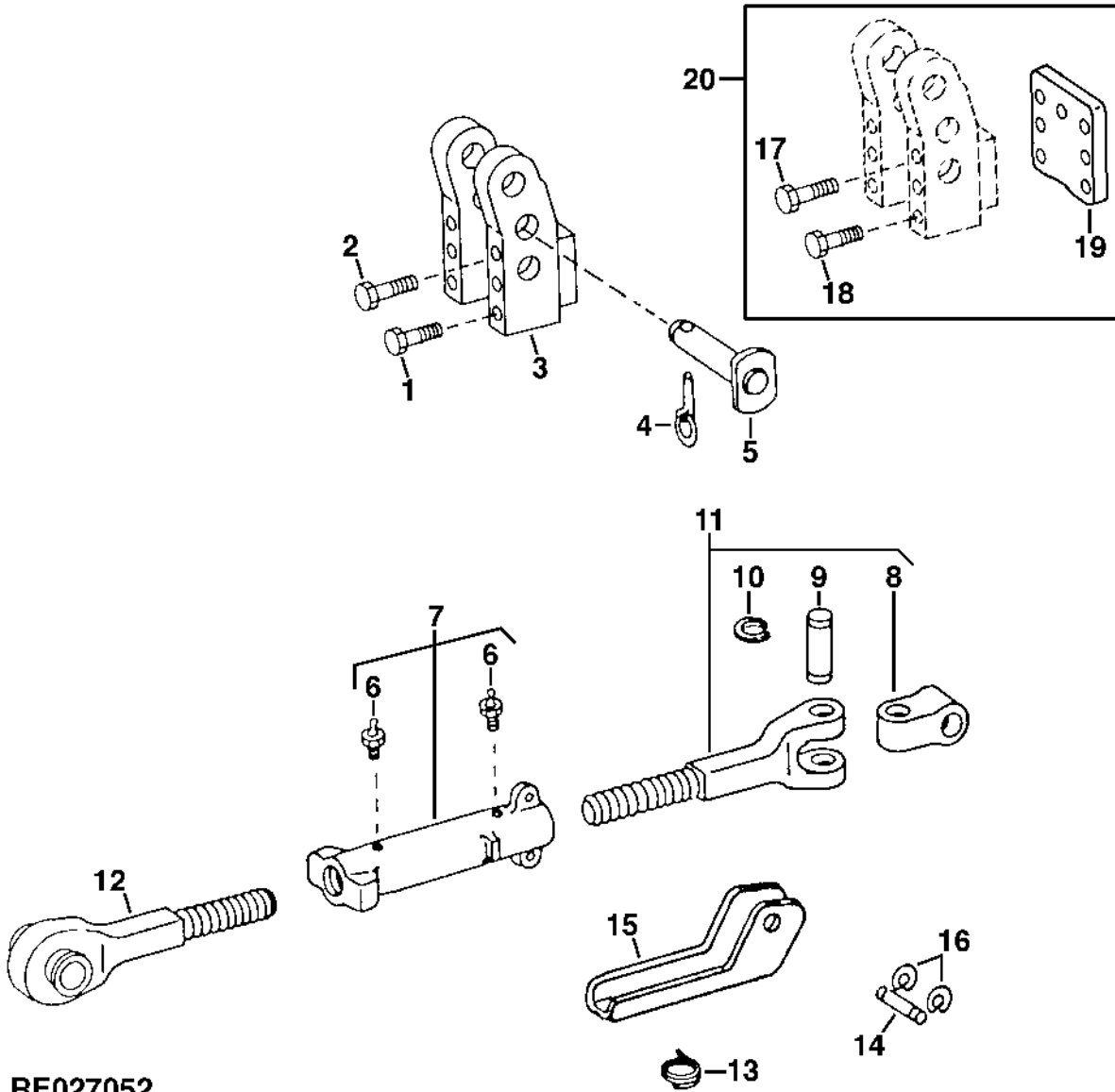
HYDRAULICS

KEY	PART NO.	PART NAME	QTY	TRACTOR SERIAL NO.	A L L	REMARKS
1	19M8503	CAP SCREW	6		X	M20 X 160, HS 10.9
2	R126510	CAP SCREW	1		X	HS 10.9
3	R125390	BRACKET	1		X	
4	AA21292	QUICK LOCK PIN	1		X	
5	R124045	PIN	1		X	
6	JD7798	LUBRICATION FITTING	2		X	
7	RE50533	DRAG LINK	1		X	
8	R127581	PIVOT	1		X	
9	R67619	PIN	2		X	
10	F534R	SNAP RING	4		X	
11	RE63411	CENTER LINK END	1		X	(SUB FOR RE58508)
12	RE63412	CENTER LINK END	1		X	(SUB FOR RE58509)
13	R80436	RING	1		X	
14	R64085	PIN	1		X	
15	R64084	YOKE	1		X	
16	F3396R	SNAP RING	2		X	
17	R127582	PIVOT	1		X	

7F21

HYDRAULICS

CENTER LINK (EUROPEAN VERSION)
BIELLE CENTRALE (VERSION EUROPEENNE)
OBERLENKER (EUROPAEISCHE AUSFUEHRUNG)
TIRANTE CENTRALE (VERSIONE EUROPEA)
BRAZO CENTRAL (VERSION EUROPEA)
TOPPSTAANG (EUROPEISK VERSION)
RE027052 -UN-21JUN96



RE027052

7F22

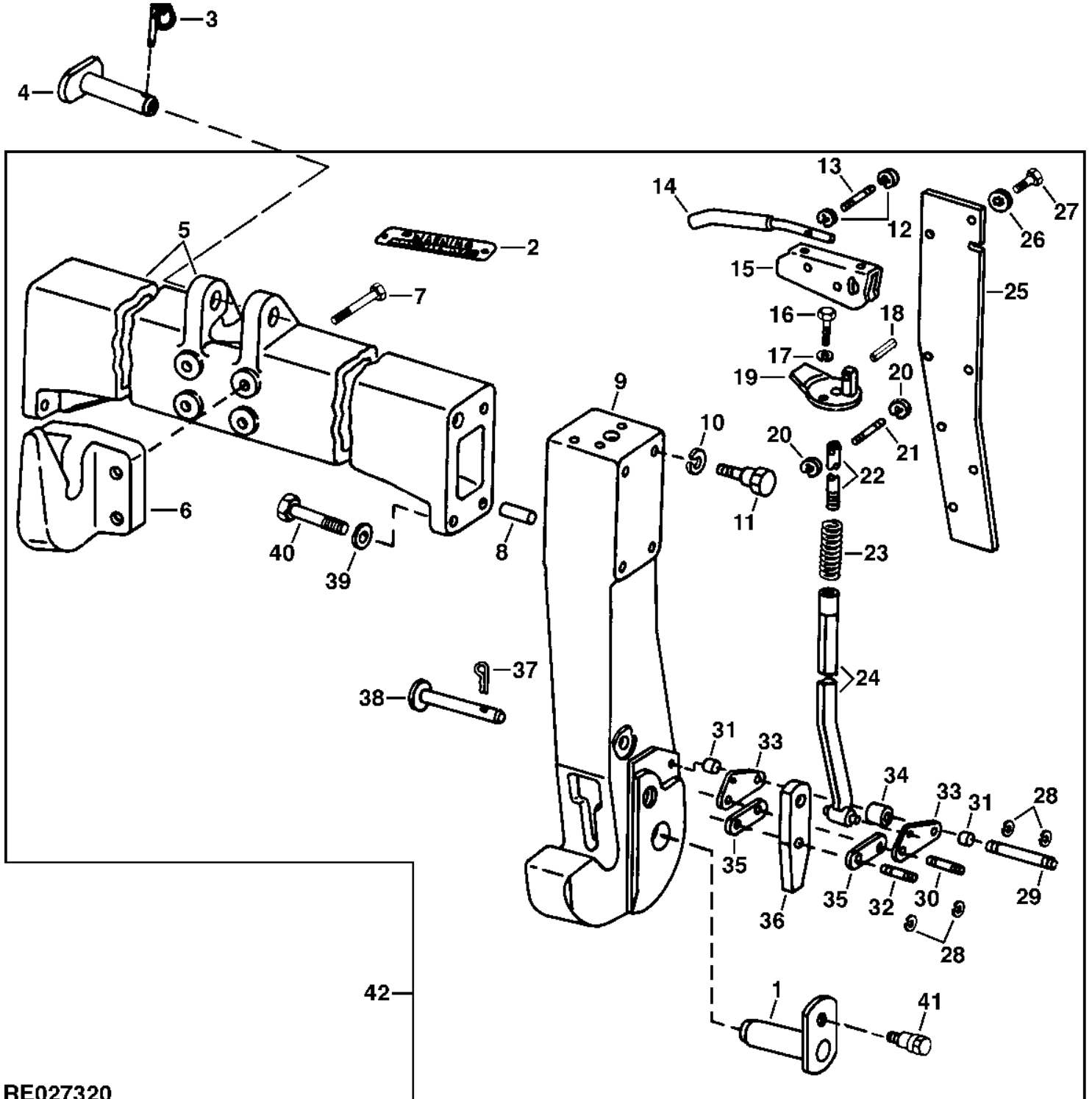
HYDRAULICS

KEY	PART NO.	PART NAME	QTY	TRACTOR SERIAL NO.	A L L	REMARKS
1	19M8503	CAP SCREW	6		X	M20 X 160, HS 10.9
2	R126510	CAP SCREW	1		X	M20 X 85, HS 10.9
3	R124044	BRACKET	1		X	
4	AA21292	QUICK LOCK PIN	1		X	
5	R124045	PIN	1		X	
6	JD7798	LUBRICATION FITTING	2		X	
7	RE50533	DRAG LINK	1		X	
8	R127581	PIVOT	1		X	
9	R67619	PIN	1		X	
10	F534R	SNAP RING	2		X	
11	RE63411	CENTER LINK END	1		X	(SUB FOR RE58508)
12	RE61501	CENTER LINK END	1		X	
13	R80436	RING	1		X	
14	R64085	PIN	1		X	
15	R64084	YOKE	1		X	
16	F3396R	SNAP RING	2		X	
17	R134682	CAP SCREW	1		X	M20 X 95, HS 10.9
18	19M8026	CAP SCREW	6		X	M20 X 170, HS 10.9
19	R134667	SPACER	1		X	
20	RE69708	KIT	1		X	

7F23

HYDRAULICS

IMPLEMENT QUICK COUPLER (CATEGORY III/IIIN)
ACCOUPLMENT RAPIDE (CATEGORIE III/IIIN)
SCHNELLANSCHLUSS FUER ANBAUGERAETE (KATEGORIE III/IIIN)
ATTACCO RAPIDO PER EQUIPAGGIAMENTO (CATEGORIA III/IIIN)
EJECUTE ENGANCHE RAPIDO (CATEGORIA III/IIIN)
SNABBKOPPLING FOER REDSKAP (KATEGORI III/IIIN)
RE027320 -UN-18OCT96



RE027320

7F24

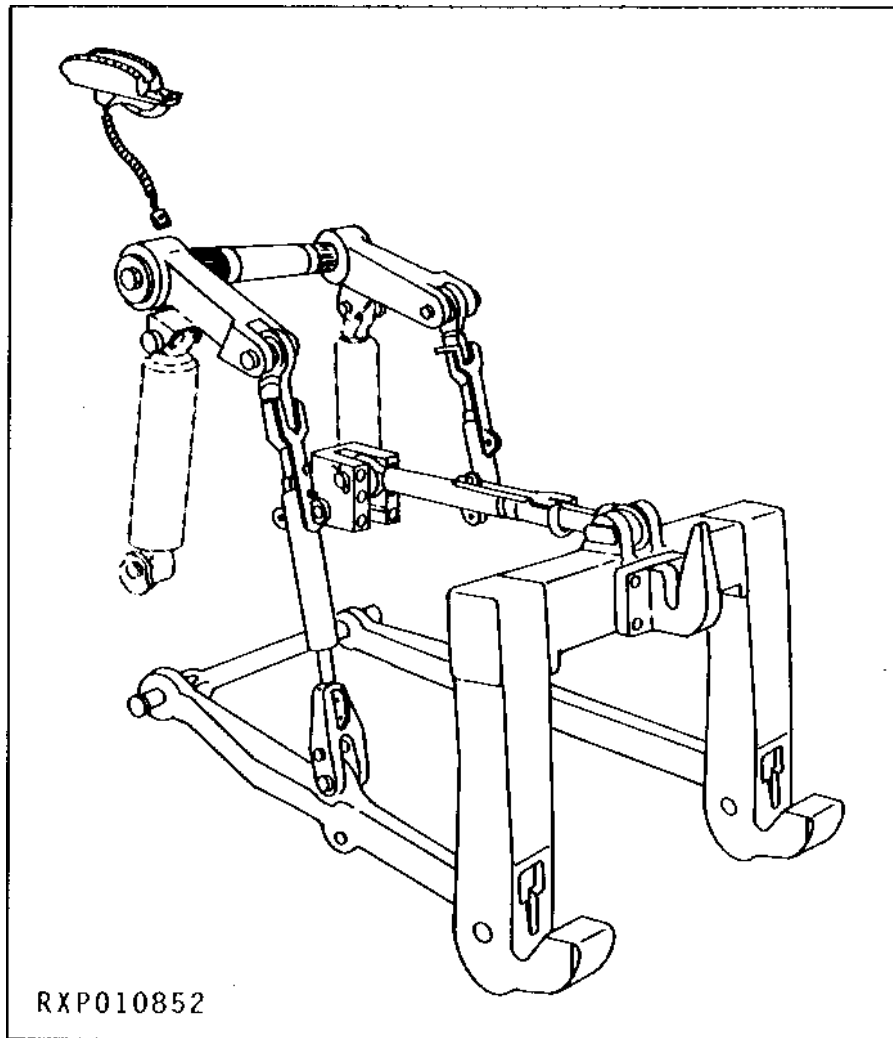
HYDRAULICS

KEY	PART NO.	PART NAME	QTY	TRACTOR SERIAL NO.	A L L	REMARKS
1	AR89303	PIN	2		X	
2	R122428	LABEL	1		X	(ENGLISH) (SUB FOR R83531 OR R120103)
	R120104	LABEL	1		X	(ESPANOL) (SUB FOR R83532)
	R120105	LABEL	1		X	(FRANCAIS) (SUB FOR R83533)
	R83534	LABEL	1		X	(DEUTSCH)
3	M115827	QUICK LOCK PIN	1		X	(SUB FOR AR62151)
4	R125450	PIN	1		X	(SUB FOR AR89302 OR R121569)
5	R69571	CROSSBAR	1		X	
6	R59478	HOOK	1		X	
7	19H2174	CAP SCREW	4		X	3/4" X 4-1/4"
8	A776R	PIN	4		X	
9	R65815	QUICK COUPLER	1		X	R.H. (SUB FOR R65815) (MARKED R127704)
	R65816	QUICK COUPLER	1		X	L.H. (SUB FOR R65816) (MARKED R127705)
10	12H294	LOCK WASHER	2		X	5/8"
11	19H3353	CAP SCREW	2		X	5/8" X 5", HS SAE 8
12	R72654	SNAP RING	4		X	
13	R66901	SPRING PIN	2		X	
14	R48163	HANDLE	2		X	
15	R48164	LEVER	2		X	
16	19H2284	CAP SCREW	4		X	3/8" X 7/8"
17	12H304	LOCK WASHER	4		X	3/8"
18	34H311	SPRING PIN	2		X	1/4" X 7/8"
19	AR50374	BRACKET	2		X	
20	R72654	SNAP RING	4		X	
21	R66901	SPRING PIN	2		X	
22	R47578	STUD	2		X	
23	R43444	SPRING	2		X	
24	AR50377	BAR	2		X	
25	R58617	SHIELD	2		X	
26	12H302	LOCK WASHER	14		X	1/4"
27	19H1227	CAP SCREW	14		X	1/4" X 1/2"
28	F2208R	SNAP RING	12		X	
29	R65082	PIN	2		X	
30	R119275	PIN	2		X	
31	F2206R	WASHER	4		X	
32	R119276	PIN	2		X	
33	R65243	LINK	4		X	
34	28H1919	BUSHING	2		X	0.622" X 0.840" X 15/16"
35	R65242	STRAP	4		X	
36	R36441	LATCH	2		X	
37	11M7087	COTTER PIN	2		X	4 X 40 MM
38	R28556	PIN	2		X	
39	12H294	LOCK WASHER	2		X	5/8"
40	19H2588	CAP SCREW	2		X	5/8" X 1-7/8"
41	AR78289	CAP SCREW	2		X	
42	RE60512	COUPLING	1		X	(FI) (SUB FOR AR98479)

7G1

HYDRAULICS

HITCH KIT (W/O LIFT CYLINDERS)
JEU D'ATTELAGE (SANS VERIN DE RELEVAGE)
ANHAENGEVORRICHTUNGS-BAUSATZ (OHNE HUBZYLINDER)
KIT ATTACCO (SENZA CILINDRO DI SOLLEVAMENTO)
CONJUNTO DE ENGANCHE (SIN CILINDRO DE ELEVACION)
LYFTSATS (UTAN LYFTCYLINDER)
RXP010852 -UN-01JAN94



RXP010852

7G2

HYDRAULICS

KEY	PART NO.	PART NAME	QTY	TRACTOR SERIAL NO.	A L L	REMARKS
1	AR113519	KIT	1	-XXXXXX	X	(A) (FI)
	RE160333	KIT	1	XXXXXX-	X	(B) (FI)

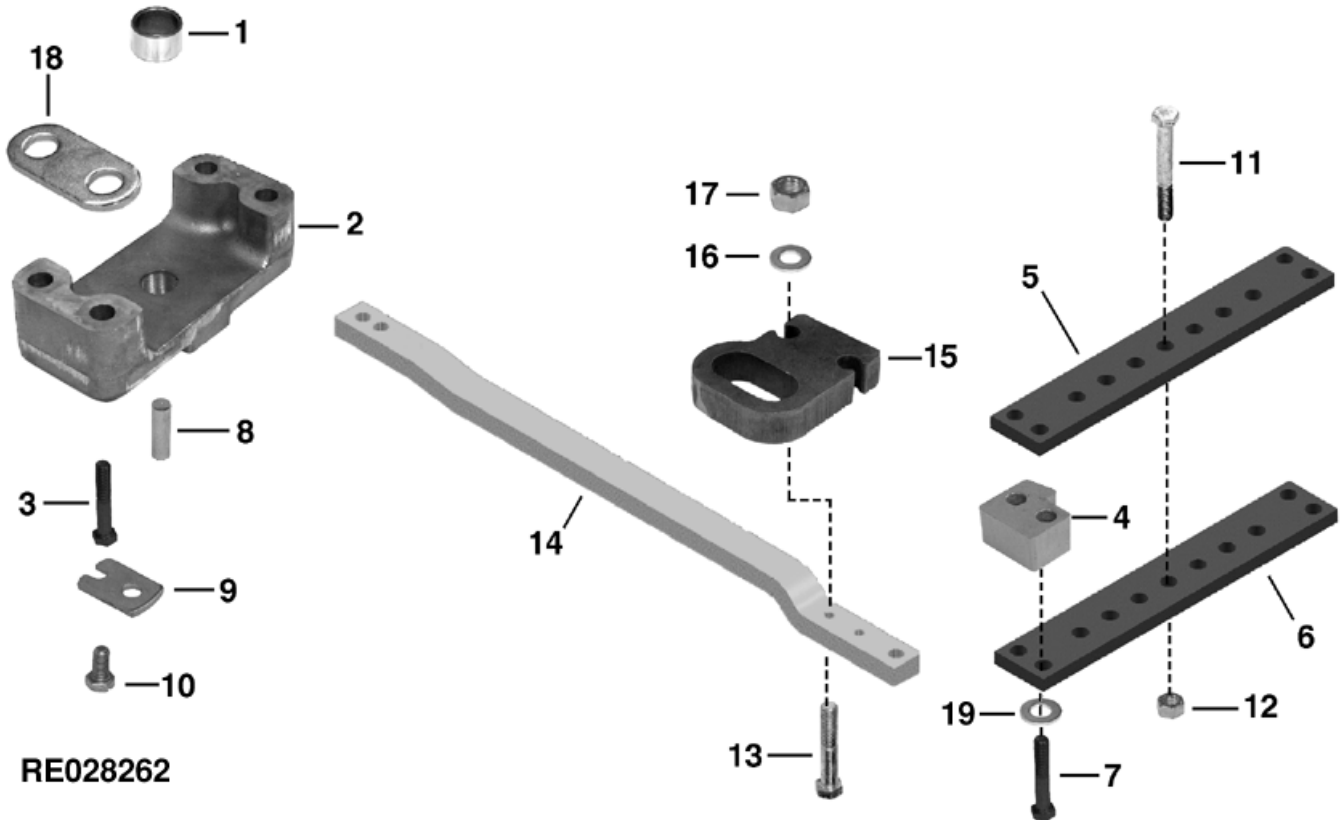
(A) (-XXXXXX) 8100-025513; 8200-025493; 8300-025500; 8400-025519

(B) (XXXXXX-) 8100-025514; 8200-025494; 8300-025501; 8400-025520

7G3

HYDRAULICS

REGULAR DRAWBAR (NORTH AMERICAN VERSION)
BARRE D'ATTELAGE COURANTE (VERSION NORD AMERICAINE)
REGULAERES ZUGPENDEL (NORDAMERIKANISCHE AUSFUEHRUNG)
BARRA DI TRAINO REGOLARE (VERSIONE NORDAMERICANA)
BARRA DE TIRO REGULAR (VERSION NORTEAMERICANA)
STANDARDDRAGBOM (NORDAMERIKANSK VERSION)
RE028262 -UN-27AUG97



RE028262

KEY	PART NO.	PART NAME	QTY	TRACTOR			REMARKS
				SERIAL NO.	8	8	
1	R107760	BUSHING	1	-009999	X	X	X
	R130953	BUSHING	1	010000-	X	X	X
2	R108298	SUPPORT	1		X	X	X
3	19M7963	CAP SCREW	4	-009999	X	X	X M20 X 100, HS 10.9
	19M7883	SCREW	4	010000-	X	X	X M20 X 120, HS 10.9
4	R108301	SPACER	2	-009999	X	X	X
	R115454	SPACER	2	010000-	X	X	X
5	R108299	STRAP	1		X	X	X
6	R108300	STRAP	1		X	X	X
7	19M7968	CAP SCREW	4	-XXXXXX	X	X	X (D) M20 X 130, HS 10.9
	19M7907	SCREW	4	XXXXXX-	X	X	X (E) M20 X 140, HS 10.9
	19M7597	CAP SCREW	4		X	X	X (A) M20 X 50, HS 10.9
8	R108291	PIN	1	-009999	X	X	X
	R130982	PIN	1	010000-	X	X	X
9	R115453	STRAP	1		X	X	X
10	19M7784	SCREW	1		X	X	X M10 X 20, HS 10.9
11	19M7968	CAP SCREW	2		X	X	X M20 X 130, HS 10.9
12	14M7277	NUT	2		X	X	X M20
13	19M7969	CAP SCREW	2	-009999	X	X	X M20 X 110, HS 10.9
	R106661	CAP SCREW	2	010000-	X	X	X (C) M22 X 120, HS 10.9
14	R122790	DRAWBAR	1	-009999	X	X	X (SUB RE69232) (ALSO ORDER (2) R115454)
	R130638	DRAWBAR	1	010000-	X	X	X (B)
15	R105479	RETAINER	1	-009999	X	X	X
	R130806	RETAINER	1	010000-024937	X	X	X (SUB R156615)
	R156615	RETAINER	1	024938-	X	X	X
	R105479	RETAINER	1	010000-	X	X	X (C)
16	24M7242	WASHER	2	-009999	X	X	X 21,400 X 42 X 5 MM
	R52006	WASHER	2	010000-	X	X	X (C)
17	14M7277	NUT	2	-009999	X	X	X M20
	R114125	NUT	2	010000-	X	X	X (C)
18	R121788	SPACER	6	010000-	X	X	X
19	24M7344	WASHER	4	XXXXXX-	X	X	X (E) 22 X 37 X 3 MM

(A) W/O DRAWBAR
 W/O BARRE D'ATTELAGE
 W/O ZUGPENDEL
 W/O BARRA DI TRAINO
 W/O BARRA DE TIRO
 W/O DRAGBOM

(B) REVERSIBLE
 REVERSIBLE
 UMKEHRBAR
 AD INVERSIONE
 REVERSIBLE
 VAENDBAR

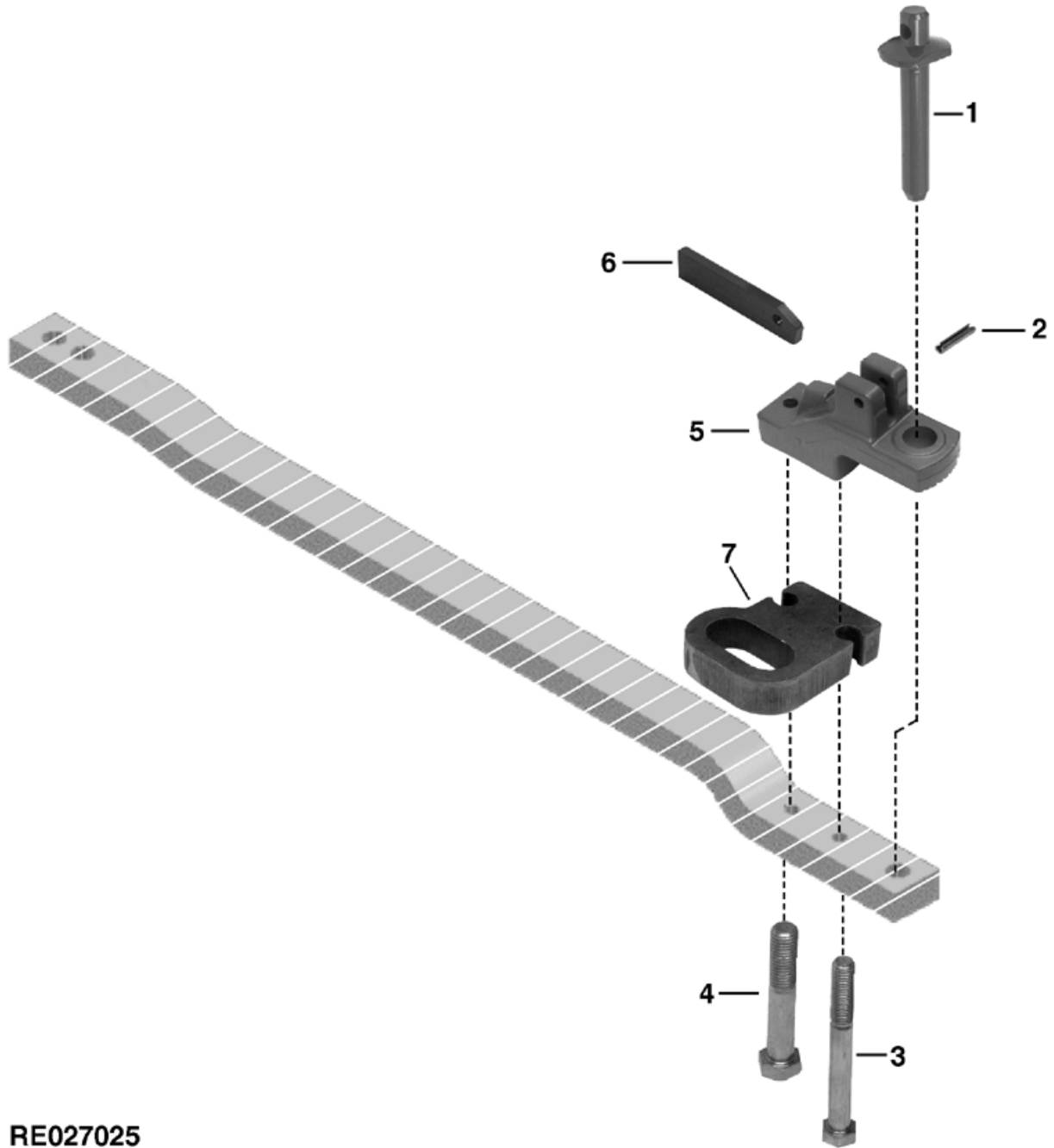
(C) NOT USED NORTH AMERICAN VERSION
 PAS UTILISE SUR LA VERSION NORD-AMERICAINE
 NICHT VERWENDET IN DER NORDAMERIKANISCHEN
 NON IN USO NELLA VERSIONE NORDAMERICANA
 NO SE USA EN LA VERSION NORTEAMERICANA
 ANVAENDS EJ PAA DEN NORDAMERIKANSKA

(D) (-XXXXXX) 8100-012951; 8200-012423; 8300-013427
 (E) (XXXXXX-) 8100-012952; 8200-012424; 8300-013428

7G5

HYDRAULICS

DRAWBAR CLEVIS (NORTH AMERICAN VERSION) (8100,8200,8300 -009999)
BARRE D'ATTELAGE, ETRIER (VERSION NORD AMERICAINE) (8100, 8200, 8300 -009999)
ZUGPENDEL-GABELKOPF (NORDAMERIKANISCHE AUSFUEHRUNG) (8100, 8200, 8300 -009999)
CAVALLOTTO DELLA BARRA DI TRAINO (VERSIONE NORDAMERICANA) (8100, 8200, 8300 -009999)
HORQUILLA DE LA BARRA DE TIRO (VERSION NORTEAMERICANA) (8100, 8200, 8300 -009999)
DRAGBOM, U-BYGEL (NORDAMERIKANSK VERSION) (8100, 8200, 8300 -009999)
RE027025 -UN-20JUN96



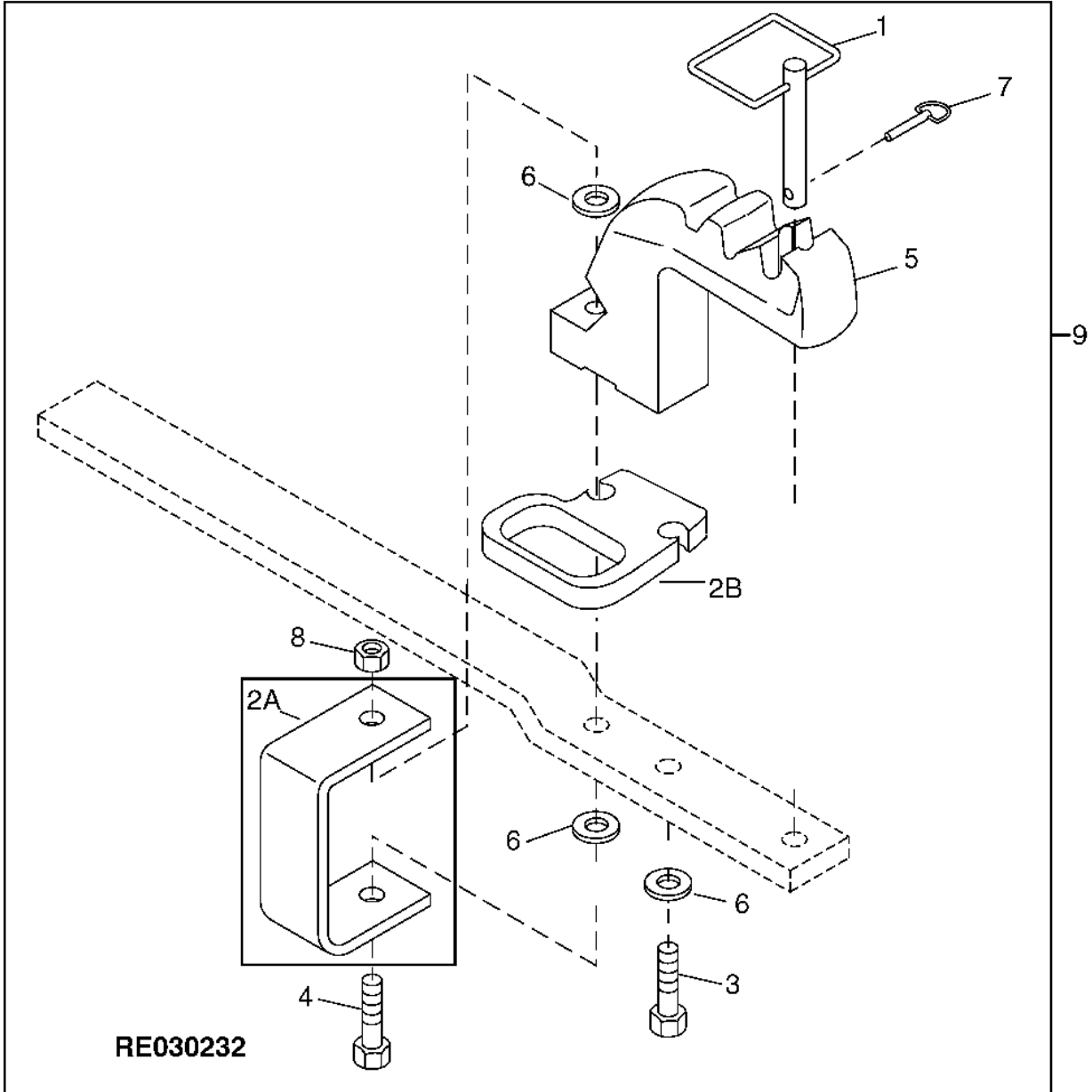
RE027025

7G6

HYDRAULICS

KEY	PART NO.	PART NAME	QTY	TRACTOR			REMARKS
				SERIAL NO.	8 8 8	1 2 3	
1	R119133	PIN	1	X X X	0 0 0	0 0 0	1 3/8" DIA.
2	H100795	SPRING PIN	1	X X X	0 0 0	0 0 0	(SUB FOR 34H374)
3	19M8026	CAP SCREW	1	X X X	0 0 0	0 0 0	M20 X 170, HS 10.9
4	19M7968	CAP SCREW	1	X X X	0 0 0	0 0 0	M20 X 130, HS 10.9
5	R119682	STRAP	1	X X X	0 0 0	0 0 0	(SUB RE161727)
6	R110309	PLATE	1	X X X	0 0 0	0 0 0	
7	R105479	RETAINER	1	X X X	0 0 0	0 0 0	

DRAWBAR CLEVIS (NORTH AMERICAN VERSION)
 BARRE D'ATTELAGE, ETRIER (VERSION NORD AMERICAINE)
 ZUGPENDEL-GABELKOPF (NORDAMERIKANISCHE AUSFUEHRUNG)
 CAVALLOTTO DELLA BARRA DI TRAINO (VERSIONE NORDAMERICANA)
 HORQUILLA DE LA BARRA DE TIRO (VERSION NORTEAMERICANA)
 DRAGBOM, U-BYGEL (NORDAMERIKANSK VERSION)
 RE030232 -UN-19NOV98



7G8

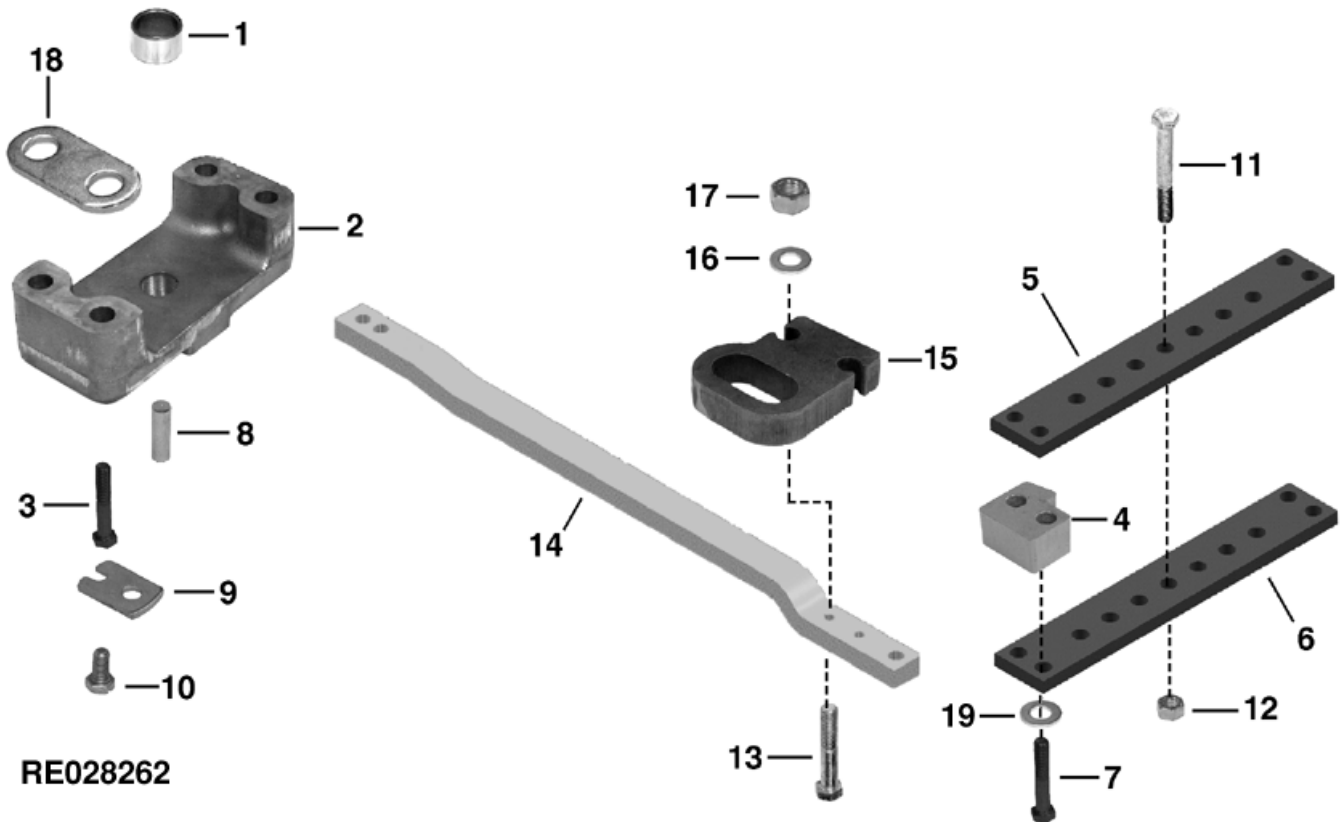
HYDRAULICS

KEY	PART NO.	PART NAME	QTY	TRACTOR			REMARKS
				SERIAL NO.	8 8 8	1 2 3	
1	RE150874	PIN	1		X X X		1 3/8" DIA, (SUB FOR RE66101)
2A	R130806	RETAINER	1		X X X		(SUB R156615)
2B	R156615	RETAINER	1		X X X		
3	19M7883	SCREW	1		X X X		M20 X 120, HS 10.9, (USE WITH R130806)
	19M9015	CAP SCREW	1		X X X		M20 X 160, HS 12.9, (USE WITH R156615)
4	19M7907	SCREW	1		X X X		M20 X 140, HS 10.9, (USE WITH R130806)
	19M9015	CAP SCREW	1		X X X		M20 X 160, HS 12.9, (USE WITH R156615)
5	R132545	STRAP	1		X X X		
6	24M7242	WASHER	AR		X X X		21.400 X 42 X 5 MM, (USE WITH R130806)
	T151797	WASHER	AR		X X X		(USE WITH R156615)
7	AR62150	QUICK LOCK PIN	1		X X X		(SUB FOR AA23627, THIS APPLICATION)
8	14M7277	NUT	1		X X X		M20
9	RE150873	CLEVIS	1	-009999	X X X		(SUB FOR RE69189) (SUB RE161727)

7G9

HYDRAULICS

REGULAR DRAWBAR (NORTH AMERICAN VERSION)
BARRE D'ATTELAGE COURANTE (VERSION NORD AMERICAINE)
REGULAERES ZUGPENDEL (NORDAMERIKANISCHE AUSFUEHRUNG)
BARRA DI TRAINO REGOLARE (VERSIONE NORDAMERICANA)
BARRA DE TIRO REGULAR (VERSION NORTEAMERICANA)
STANDARDDRAGBOM (NORDAMERIKANSK VERSION)
RE028262 -UN-27AUG97



RE028262

7G10

HYDRAULICS

KEY	PART NO.	PART NAME	QTY	TRACTOR SERIAL NO.	8 4 0 0	REMARKS
1	R107760	BUSHING	1	-009999	X	
	R130953	BUSHING	1	010000-	X	
2	R108298	SUPPORT	1		X	
3	19M7963	CAP SCREW	4	-009999	X	M20 X 100, HS 10.9
	19M7883	SCREW	4	010000-	X	M20 X 120, HS 10.9
4	R115454	SPACER	2		X	
5	R108299	STRAP	1		X	
6	R108300	STRAP	1		X	
7	19M7968	CAP SCREW	4	-013366	X	M20 X 130, HS 10.9
	19M7907	SCREW	4	013367-	X	M20 X 140, HS 10.9
	19M7597	CAP SCREW	4		X	(A) M20 X 50, HS 10.9
8	R116002	PIN	1	-009999	X	
	R130982	PIN	1	010000-	X	
9	R115453	STRAP	1		X	
10	19M7784	SCREW	1		X	M10 X 20, HS 10.9
11	19M7968	CAP SCREW	2		X	M20 X 130, HS 10.9
12	14M7277	NUT	2		X	M20
13	R106661	CAP SCREW	2	-009999	X	M22 X 120, HS 10.9
	R106661	CAP SCREW	2	010000-	X	(C) M22 X 120, HS 10.9
14	R126895	DRAWBAR	1	-009999	X	(SUB FOR R122791) (SUB RE69232) (ALSO ORDER (2) R115454)
	R130638	DRAWBAR	1	010000-	X	(B)
15	R115192	RETAINER	1	-009999	X	
	R130806	RETAINER	1	010000-024937	X	(SUB R156615)
	R156615	RETAINER	1	024938-	X	
	R115192	RETAINER	1	010000-	X	(C)
16	R52006	WASHER	2	-009999	X	
	R52006	WASHER	2	010000-	X	(C)
17	R114125	NUT	2	-009999	X	
	R114125	NUT	2	010000-	X	(C)
18	R121788	SPACER	2	-009999	X	
	R121788	SPACER	6	010000-	X	
19	24M7344	WASHER	4	013367-	X	22 X 37 X 3 MM

(A) W/O DRAWBAR
W/O BARRE D'ATTELAGE
W/O ZUGPENDEL
W/O BARRA DI TRAINO
W/O BARRA DE TIRO
W/O DRAGBOM

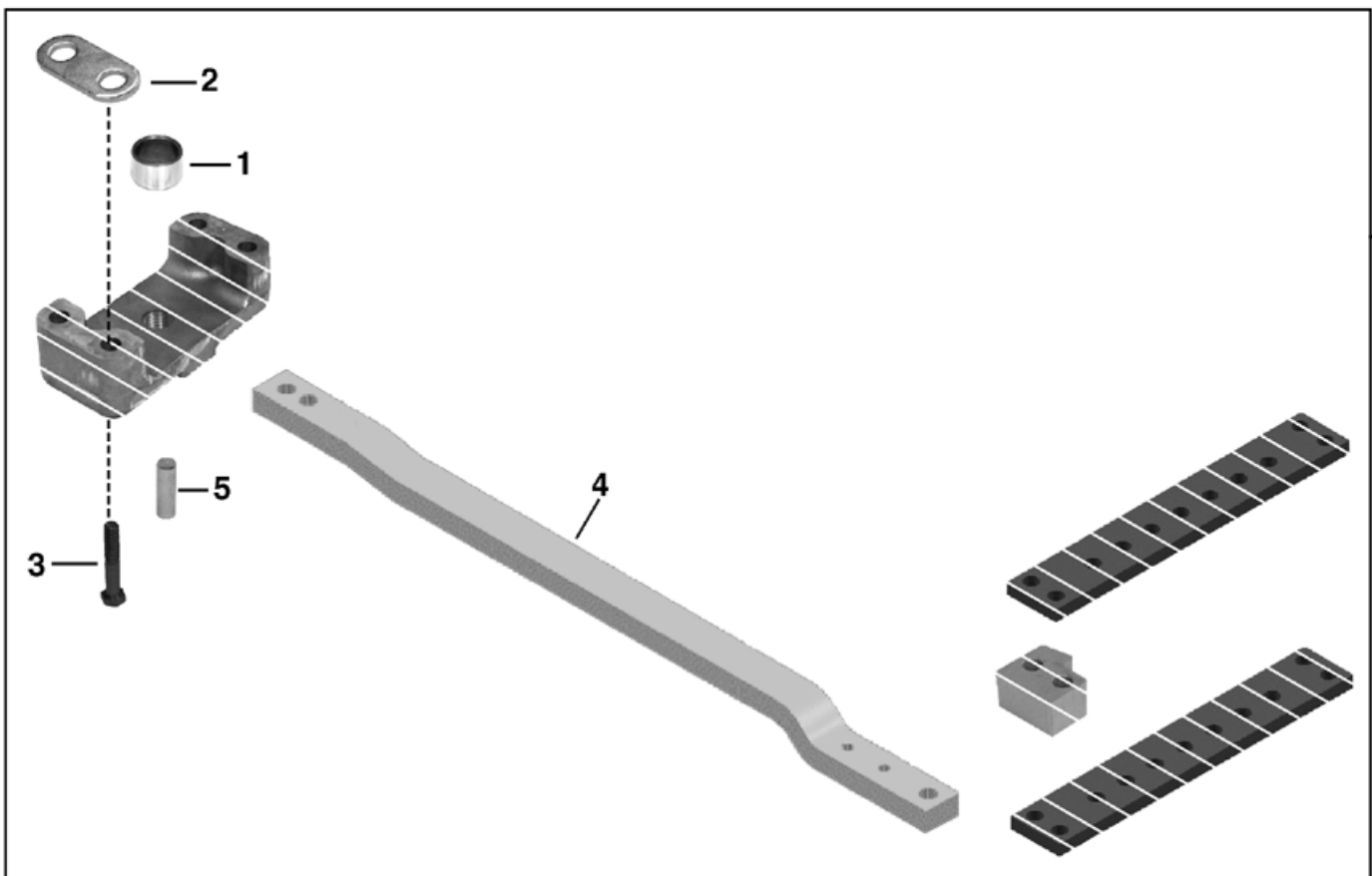
(B) REVERSIBLE
REVERSIBLE
UMKEHRBAR
AD INVERSIONE
REVERSIBLE
VAENDBAR

(C) NOT USED NORTH AMERICAN VERSION
PAS UTILISE SUR LA VERSION NORD-AMERICAINE
NICHT VERWENDET IN DER NORDAMERIKANISCHEN
NON IN USO NELLA VERSIONE NORDAMERICANA
NO SE USA EN LA VERSION NORTEAMERICANA
ANVAENDS EJ PAA DEN NORDAMERIKANSKA

7G11

HYDRAULICS

REVERSIBLE DRAWBAR KIT (NORTH AMERICAN VERSION)
KIT DE BARRE DE TRACTION REVERSIBLE (VERSION NORD AMERICAINE)
UMKEHRBARER ZUGPENDEL-TEILESATZ (NORDAMERIKANISCHE AUSFUEHRUNG)
KIT DELLA BARRA DI TRAINO AD INVERSIONE (VERSIONE NORDAMERICANA)
JUEGO DE BARRA DE TIRO REVERSIBLE (VERSION NORTEAMERICANA)
SATS MED VAENDBAR DRAGBOM (NORDAMERIKANSK VERSION)
RE027015 -UN-20JUN96



RE027015

7G12

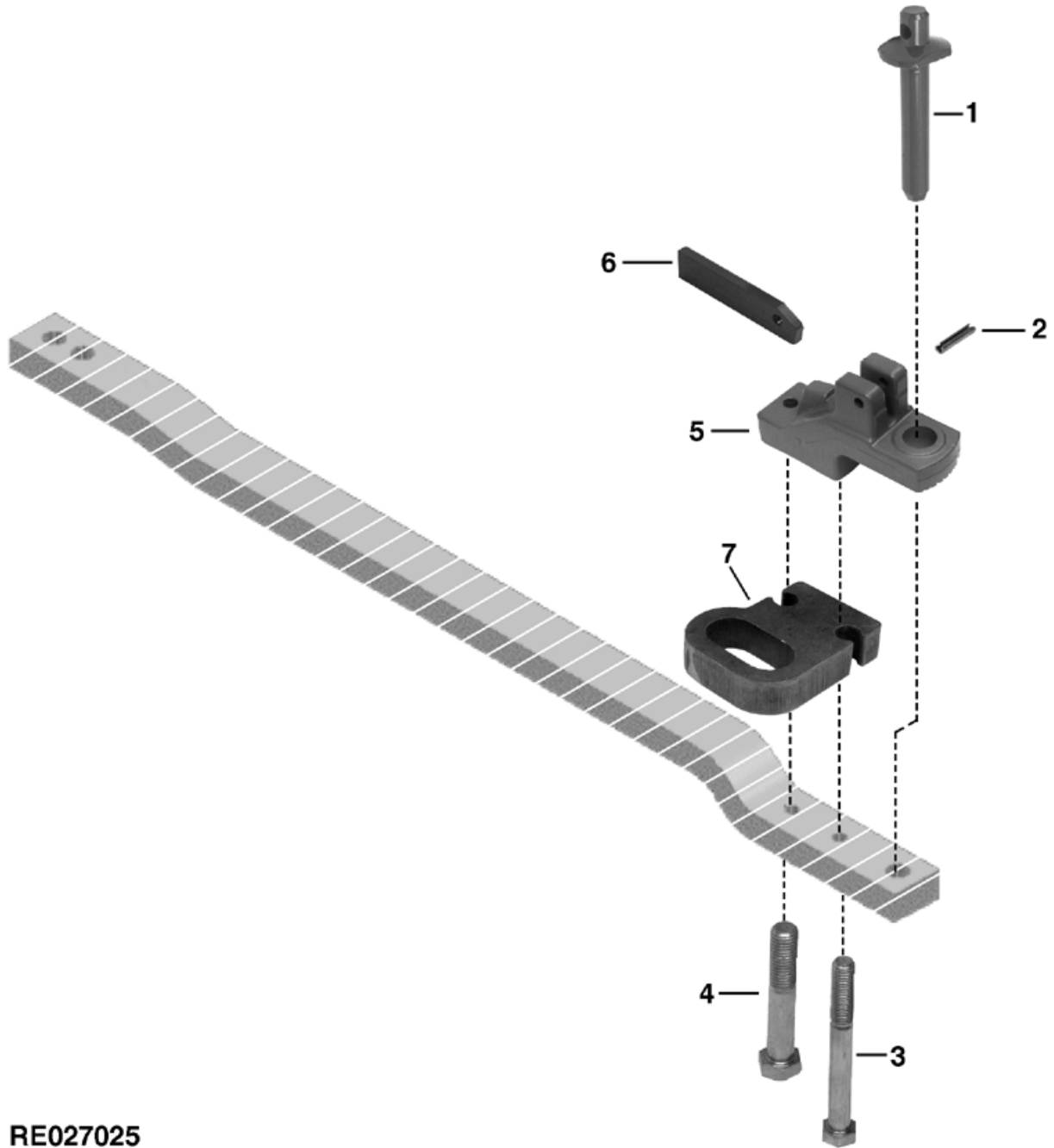
HYDRAULICS

KEY	PART NO.	PART NAME	QTY	TRACTOR SERIAL NO.	A L L	REMARKS
1	R130953	BUSHING	1		X	
2	R121788	SPACER	6		X	
3	19M7883	SCREW	4		X	M20 X 120, HS 10.9
4	R130638	DRAWBAR	1		X	
5	R130982	PIN	1		X	
6	RE69232	DRAWBAR	1	-009999	X	(ALSO ORDER (2) R115454)

7G13

HYDRAULICS

DRAWBAR CLEVIS (NORTH AMERICAN VERSION) (8400 -009999)
BARRE D'ATTELAGE, ETRIER (VERSION NORD AMERICAINE) (8400 -009999)
ZUGPENDEL-GABELKOPF (NORDAMERIKANISCHE AUSFUEHRUNG) (8400 -009999)
CAVALLOTTO DELLA BARRA DI TRAINO (VERSIONE NORDAMERICANA) (8400 -009999)
HORQUILLA DE LA BARRA DE TIRO (VERSION NORTEAMERICANA) (8400 -009999)
DRAGBOM, U-BYGEL (NORDAMERIKANSK VERSION) (8400 -009999)
RE027025 -UN-20JUN96



RE027025

7G14

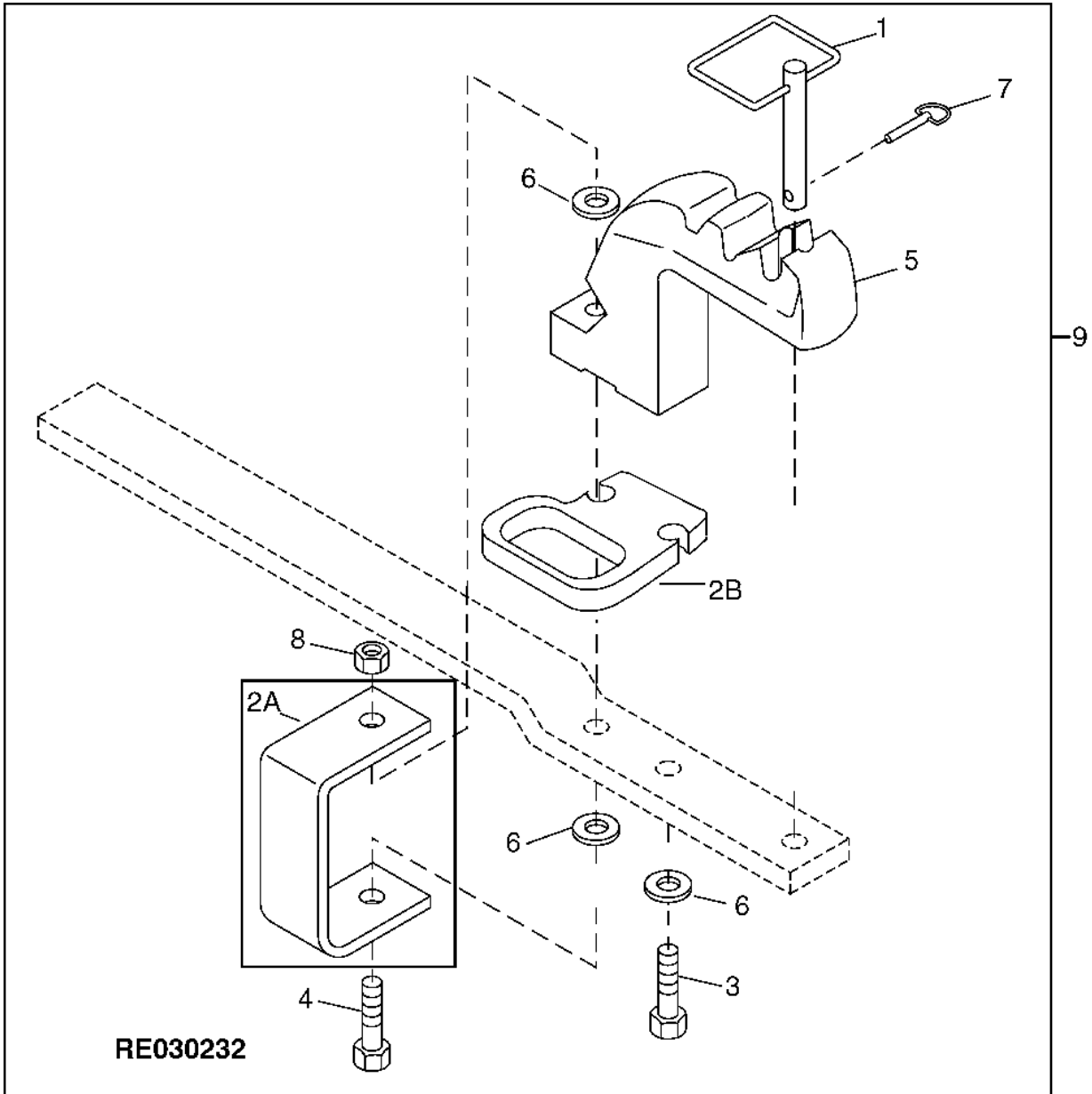
HYDRAULICS

KEY	PART NO.	PART NAME	QTY	TRACTOR SERIAL NO.	8 4 0 0	REMARKS
1	R115536	PIN	1		X	1 1/2"
2	H100795	SPRING PIN	1		X	(SUB FOR 34H374)
3	R115172	CAP SCREW	1		X	M22 X 180, HS 10.9
4	R111434	CAP SCREW	1		X	M22 X 130, HS 10.9
5	R126822	STRAP	1		X	(SUB FOR R119681) (SUB RE159503)
6	R110309	PLATE	1		X	
7	R115192	RETAINER	1		X	

7G15

HYDRAULICS

DRAWBAR CLEVIS (NORTH AMERICAN VERSION)
BARRE D'ATTELAGE, ETRIER (VERSION NORD AMERICAINE)
ZUGPENDEL-GABELKOPF (NORDAMERIKANISCHE AUSFUEHRUNG)
CAVALLOTTO DELLA BARRA DI TRAINO (VERSIONE NORDAMERICANA)
HORQUILLA DE LA BARRA DE TIRO (VERSION NORTEAMERICANA)
DRAGBOM, U-BYGEL (NORDAMERIKANSK VERSION)
RE030232 -UN-19NOV98



7G16

HYDRAULICS

KEY	PART NO.	PART NAME	QTY	TRACTOR SERIAL NO.	A L L	REMARKS
1	RE150871	PIN	1		X	1 1/2" DIA
2A	R130806	RETAINER	1		X	(SUB R156615)
2B	R156615	RETAINER	1		X	
3	R134070	CAP SCREW	1		X	HS 10.9, (USE WITH R130806)
	R156614	CAP SCREW	1		X	(USE WITH R156615)
4	R134071	CAP SCREW	1		X	HS 10.9, (USE WITH R130806)
	R156614	CAP SCREW	1		X	(USE WITH R156615)
5	R132544	STRAP	1		X	
6	R52006	WASHER	AR		X	
7	AR62150	QUICK LOCK PIN	1		X	(SUB FOR AA23627)
8	R114125	NUT	1		X	
9	RE150870	CLEVIS	1		X	(SUB RE159503)

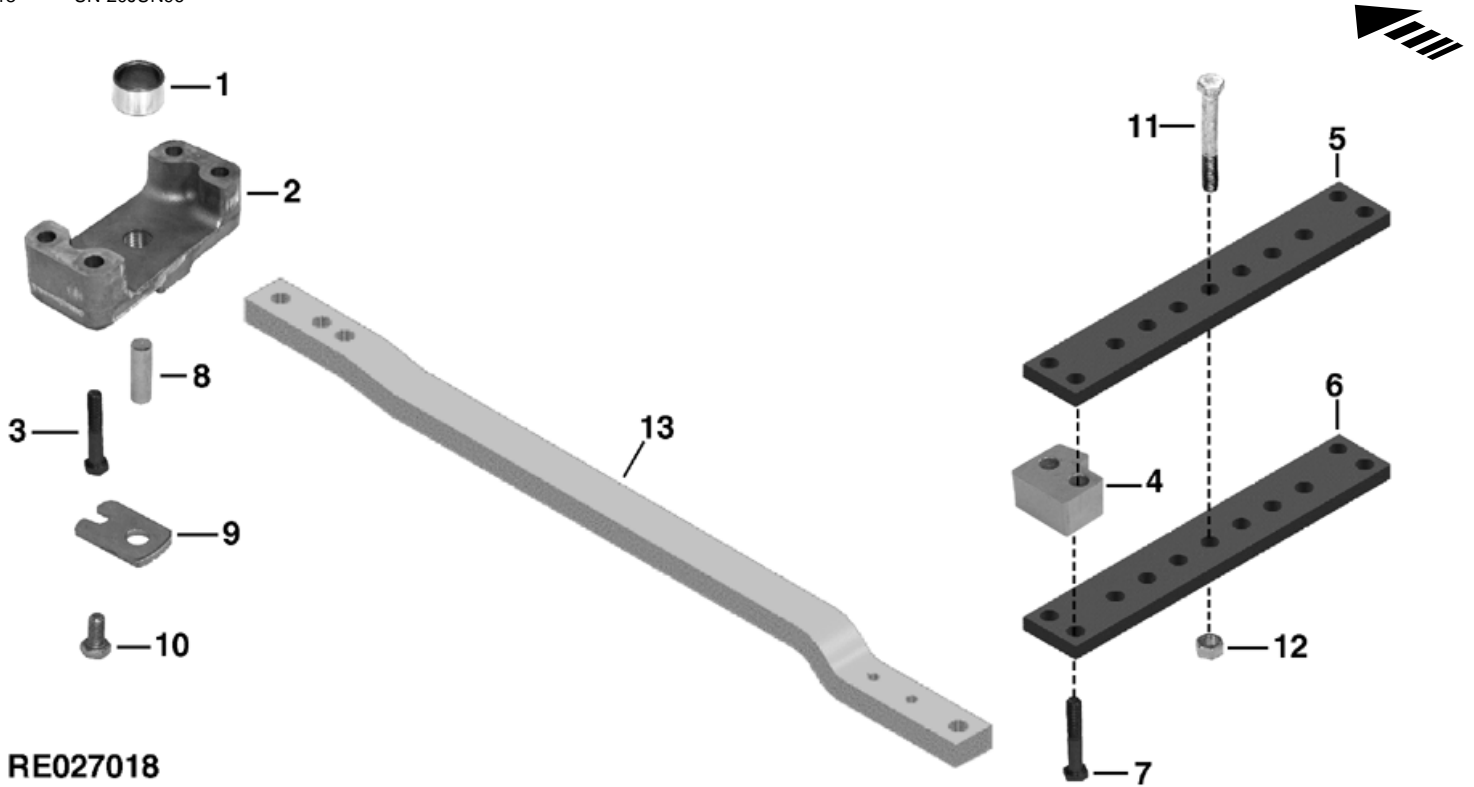
MEMORANDA
MEMORANDA
MEMORANDA
MEMORANDA
MEMORANDA

MEMORANDA
MEMORANDA
MEMORANDA
MEMORANDA
MEMORANDA

7G17

HYDRAULICS

REGULAR DRAWBAR (EUROPEAN VERSION)
 BARRE D'ATTELAGE COURANTE (VERSION EUROPEENNE)
 REGULAERES ZUGPENDEL (EUROPAEISCHE AUSFUEHRUNG)
 BARRA DI TRAINO REGOLARE (VERSIONE EUROPEA)
 BARRA DE TIRO REGULAR (VERSION EUROPEA)
 STANDARDDRAGBOM (EUROPEISK VERSION)
 RE027018 -UN-20JUN96



RE027018

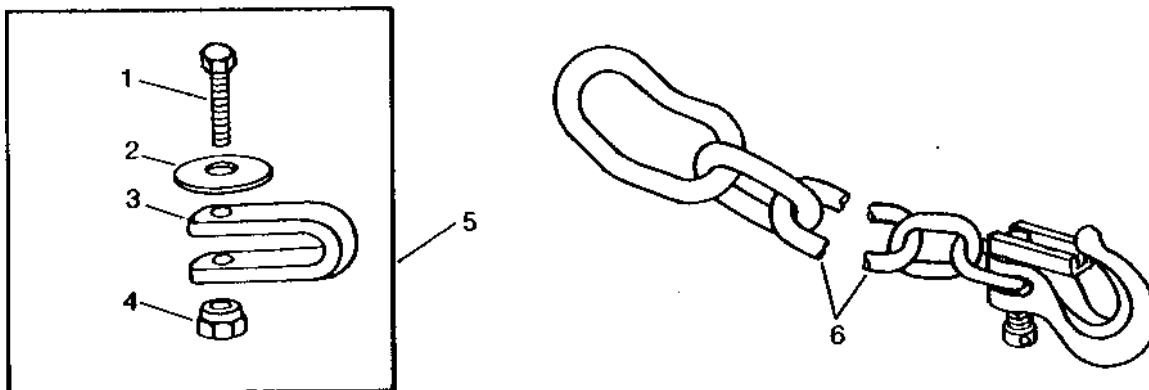
KEY	PART NO.	PART NAME	QTY	TRACTOR SERIAL NO.	A		REMARKS
					L	L	
1	R107760	BUSHING	1		X		
2	R108298	SUPPORT	1		X		
3	19M7963	CAP SCREW	4		X		M20 X 100, HS 10.9
4	R108301	SPACER	2		X		
5	R108299	STRAP	1		X		
6	R108300	STRAP	1		X		
7	19M7968	CAP SCREW	4		X		M20 X 130, HS 10.9
	19M7597	CAP SCREW	4		X		(A) M20 X 50, HS 10.9
8	R108291	PIN	1		X		
9	R115453	STRAP	1		X		
10	19M7784	SCREW	1		X		M10 X 20, HS 10.9
11	19M7968	CAP SCREW	2		X		M20 X 130, HS 10.9
12	14M7277	NUT	2		X		M20
13	R122752	DRAWBAR	1	-XXXXXX	X		(C)
	R133415	DRAWBAR	1	XXXXXX-	X		(B) (D)

(A) W/O DRAWBAR
 W/O BARRE D'ATTELAGE
 W/O ZUGPENDEL
 W/O BARRA DI TRAINO
 W/O BARRA DE TIRO
 W/O DRAGBOM

(B) REVERSIBLE
 REVERSIBLE
 UMKEHRBAR
 AD INVERSIONE
 REVERSIBLE
 VAENDBAR

(C) (-XXXXXX) 8100-012473; 8200-012019; 8300-012731; 8400-012705
 (D) (XXXXXX-) 8100-012474; 8200-012020; 8300-012732; 8400-012706

IMPLEMENT SAFETY CHAIN
 CHAÎNE DE VERROUILLAGE
 GERAETE-SICHERUNGSKETTE
 CATENA DI SICUREZZA PER EQUIPAGGIAMENTO
 INSTALE LA CADENA DE SEGURIDAD
 SAEKERHETSKEDJA, REDSKAP
 RWP5796 -UN-01JAN94



RWP5796

KEY	PART NO.	PART NAME	QTY	TRACTOR SERIAL NO.	A		REMARKS
					L	L	
1	19H1768	CAP SCREW	1		X	3/4" X 2"	
	19H2084	CAP SCREW	1		X	3/4" X 4-1/2"	
	19H2174	CAP SCREW	1		X	3/4" X 4-1/4"	
2	R36402	WASHER	1		X		
3	R69408	CLEVIS	1		X		
	R69409	CLEVIS	1		X		
4	T25879	NUT	2		X		
5	AR90577	SAFETY CHAIN ADAPTER KIT	1		X	(A)	
	AR90578	CHAIN KIT	1		X	(B)	
6	RE26739	LINK CHAIN	1		X	6.4 MM (1/4") 2722 KG (6,000 LB)	
	AR90581	LINK CHAIN	1		X	6.4 MM (1/4") 4536 KG (10,000 LB)	
	AR90579	LINK CHAIN	1		X	9.5 MM (3/8")	
	AR90583	LINK CHAIN	1		X	11.1 MM (7/16")	
	AN212996	LINK CHAIN	1		X	12.7 MM (1/2") (SUB FOR RE26740)	

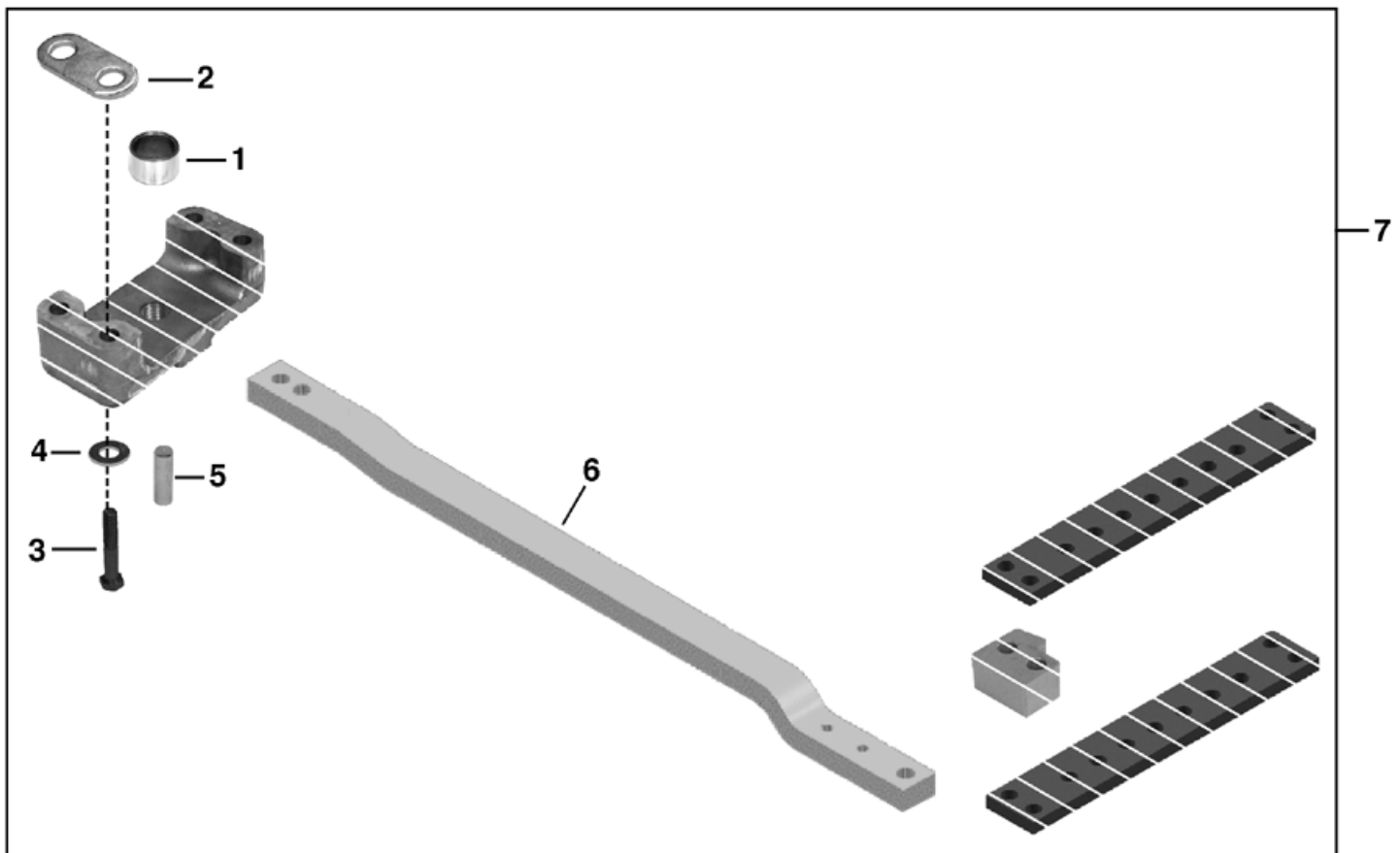
(A) CATEGORY IV
 CATEGORIE IV
 KATEGORIE IV
 CATEGORIA IV
 CATEGORIA IV
 KATEGORI IV

(B) CATEGORY III
 CATEGORIE III
 KATEGORIE III
 CATEGORIA III
 CATEGORIA III
 KATEGORI III

7G19

HYDRAULICS

REVERSIBLE DRAWBAR KIT (EUROPEAN VERSION)
KIT DE BARRE DE TRACTION REVERSIBLE (VERSION EUROPEENNE)
UMKEHRBARER ZUGPENDEL-TEILESATZ (EUROPAEISCHE AUSFUEHRUNG)
KIT DELLA BARRA DI TRAINO AD INVERSIONE (VERSIONE EUROPEA)
JUEGO DE BARRA DE TIRO REVERSIBLE (VERSION EUROPEA)
SATS MED VAENDBAR DRAGBOM (EUROPEISK VERSION)
RE027010 -UN-20JUN96



RE027010

7G20

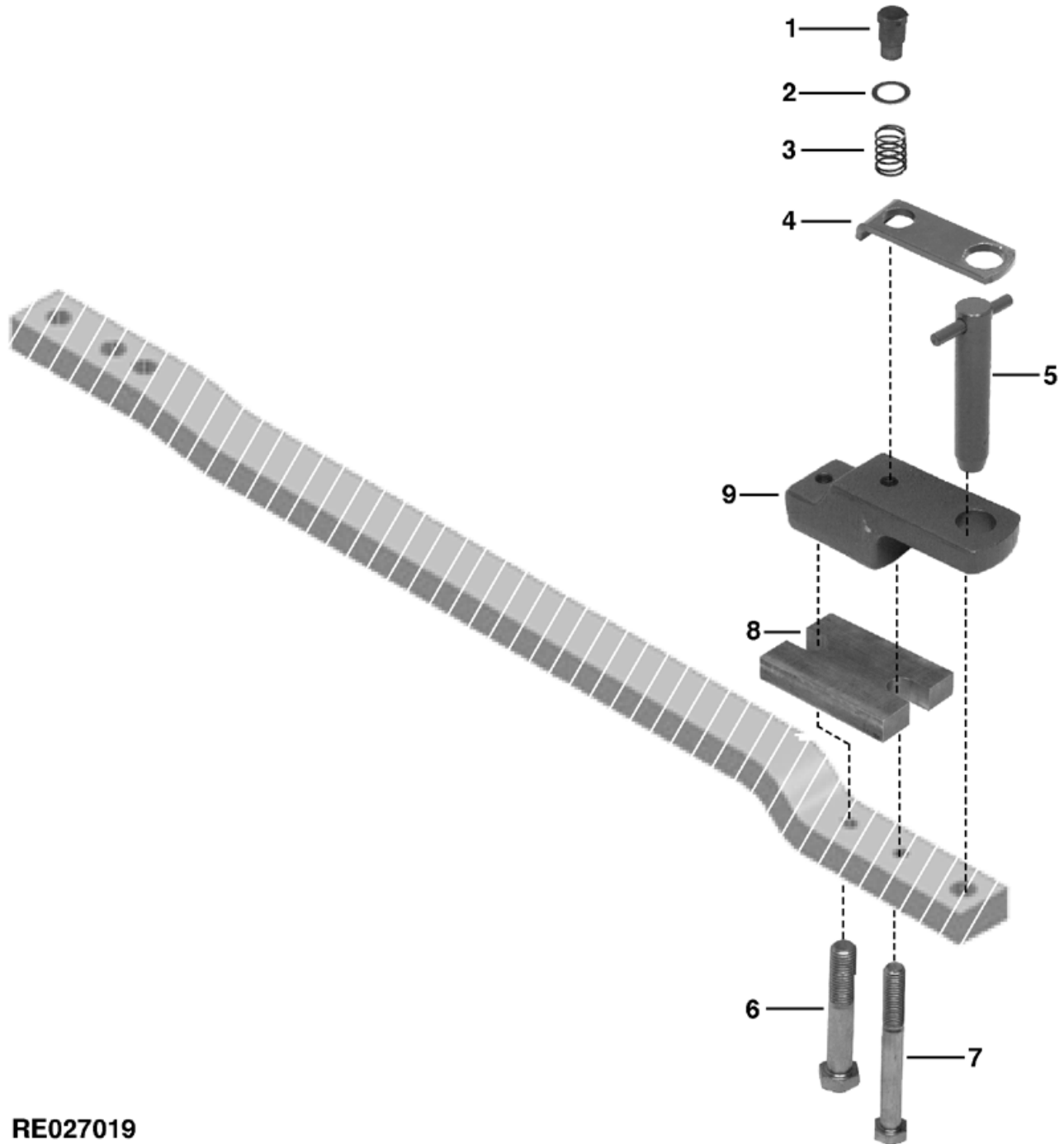
HYDRAULICS

KEY	PART NO.	PART NAME	QTY	TRACTOR SERIAL NO.	A L L	REMARKS
1	R130953	BUSHING	1		X	
2	R121788	SPACER	4		X	
3	19M7969	CAP SCREW	4		X	M20 X 110, HS 10.9
4	24M7242	WASHER	4		X	21.400 X 42 X 5 MM, (NLR)
5	R130981	PIN	1		X	
6	R133415	DRAWBAR	1		X	
7	RE69233	DRAWBAR	1	-009999	X	

7G21

HYDRAULICS

DRAWBAR CLEVIS (EUROPEAN VERSION)
BARRE D'ATTELAGE, ETRIER (VERSION EUROPEENNE)
ZUGPENDEL-GABELKOPF (EUROPÄISCHE AUSFÜHRUNG)
CAVALLOTTO DELLA BARRA DI TRAINO (VERSIONE EUROPEA)
HORQUILLA DE LA BARRA DE TIRO (VERSION EUROPEA)
DRAGBOM, U-BYGEL (EUROPEISK VERSION)
RE027019 -UN-31JUL96



RE027019

7G22

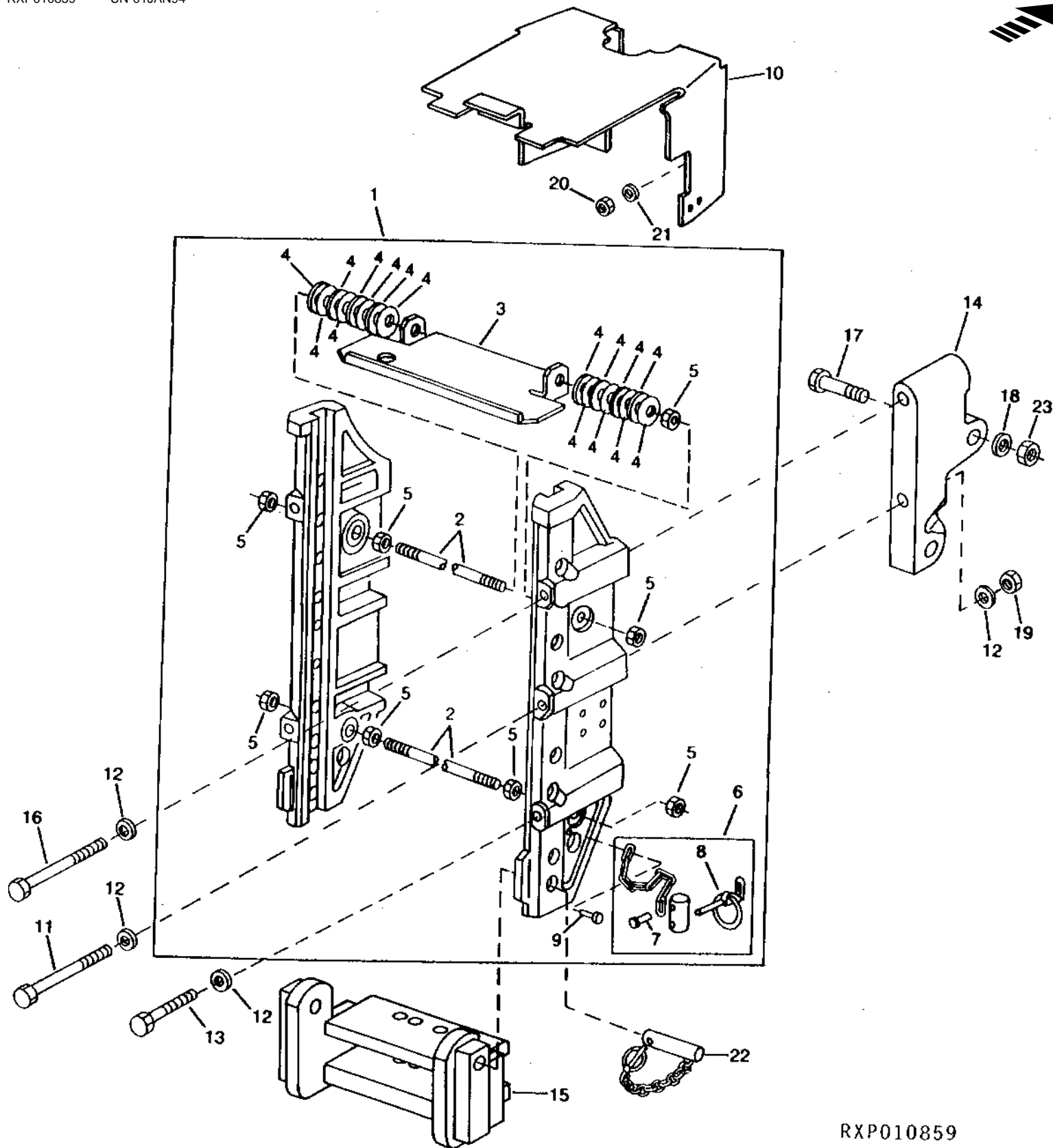
HYDRAULICS

KEY	PART NO.	PART NAME	QTY	TRACTOR SERIAL NO.	A L L	REMARKS
1	R88667	NUT	1		X	
2	24H1513	WASHER	1		X	1-13/32" X 2" X 0.060"
3	F304R	SPRING	1		X	
4	R54064	RETAINER	1		X	
5	AR69988	PIN	1		X	
6	19M7969	CAP SCREW	1		X	M20 X 110, HS 10.9
7	19M8503	CAP SCREW	1		X	M20 X 160, HS 10.9
8	N218581	PLATE	1	-009999	X	(SUB FOR R119438)
	R134668	PLATE	1	010000-	X	
9	R88665	STRAP	1		X	
..	R119439	LABEL	1		X	

7G23

HYDRAULICS

WAGON HITCH BRACKETS (EUROPEAN VERSION) (81 -012473;82 -012012;83 -012704;84 -012683)
SUPPORTS D'ATTELAGE DE CHARIOT (V.E.) (8100 -012473;8200 -012012;8300 -012704;8400 -012683)
ANHAENGEVORRICHTUNGS-HALTERUNGEN (E.A.) (8100 -012473;8200 -012012;8300 -012704;8400 -012683)
STAFFE DI ATTACCO DEL CARRO (EUROPEA)(8100 -012473;8200 -012012;8300 -012704;8400 -012683)
SOPORTES DEL ENGANCHE DEL CARRO (EUROPEA) (8100 -012473;8200 -012012;8300 012704;8400 -012683)
DRAGANORDNINGSAFASTEN (EUROPEAN VERSION)(8100 -012473;8200 -012012;8300 -012704;8400 -012683)
RXP010859 -UN-01JAN94



RXP010859

7G24

HYDRAULICS

KEY	PART NO.	PART NAME	QTY	TRACTOR SERIAL NO.	A L L	REMARKS
1	AL80747	BRACKET	1		X	(SUB RE68408)
2	L59320	STUD	2		X	
3	L79447	SHIELD	1		X	
4	L79449	DISK SPRING	16		X	
5	14M7277	NUT	8		X	M20
6	AL61032	STOP	1		X	
7	25M7032	GROOVE PIN	1		X	5 X 20 MM
8	99M7085	QUICK LOCK PIN	1		X	
9	25M7032	GROOVE PIN	1		X	5 X 20 MM
10	RE61282	SHIELD	1		X	
11	19M7779	CAP SCREW	2		X	M20 X 240, HS 10.9
12	24M7242	WASHER	8		X	21.400 X 42 X 5 MM
13	19M8100	CAP SCREW	2		X	M20 X 180, HS 10.9
14	R124423	HITCH	2		X	
15	RE60265	RAIL	1		X	(B)
16	19M8389	CAP SCREW	2		X	M20 X 280, HS 10.9
17	19M7968	CAP SCREW	4		X	M20 X 130, HS 10.9
18	24M7242	WASHER	4		X	(A) 21.400 X 42 X 5 MM
19	14M7277	NUT	2		X	M20
20	14M7274	NUT	4		X	M10
21	24M7346	WASHER	4		X	11 X 20 X 2 MM
22	AL61072	PIN	2		X	(B)
23	14M7277	NUT	4		X	(A) M20

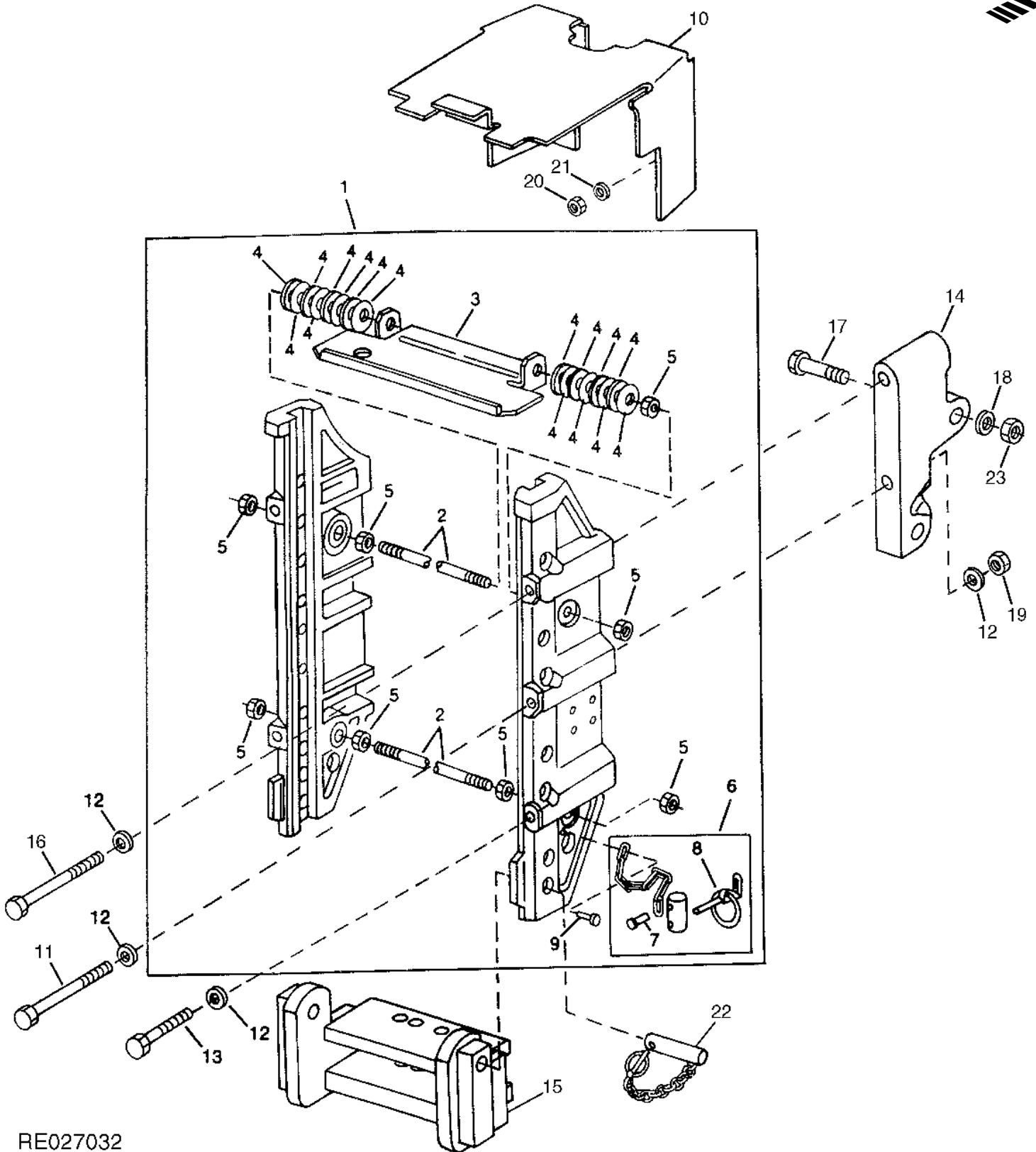
(A) W/O SWAY BLOCK
 W/O CALE STABILISATRICE
 W/O STABILISIERUNGSANSCHLAG
 W/O BLOCCO STABILIZZATORE
 W/O BLOQUE ESTABILIZADOR
 W/O STABILISERINGSBLOCK

(B) W/ DRAWBAR
 W/ BARRE D'ATTELAGE
 W/ ZUGPENDEL
 W/ BARRA DI TRAINO
 W/ BARRA DE TIRO
 W/ DRAGBOM

7H1

HYDRAULICS

WAGON HITCH BRACKETS (EUROPEAN VERSION) (81 012474- ;82 012013- ;83 012705- ;84 012684-)
SUPPORTS D'ATTELAGE DE CHARIOT (V.E.) (8100 012474- ;8200 012013- ;8300 012705- ;8400 012684-)
ANHAENGEVORRICHTUNGS-HALTERUNGEN (E.V.) (8100 012474- ;8200 012013- ;8300 012705- ;8400 012684-)
STAFFE DI ATTACCO DEL CARRO (EUROPEA) (8100 012474- ;8200 012013- ;8300 012705- ;8400 012684-)
SOPORTES DEL ENGANCHE DEL CARRO (EUROPEA)(8100 012474- ;8200 012013- ;8300 012705- ;8400 012684-)
DRAGANORDNINGSAFASTEN (EUROPEISK VERSION)(8100 012474- ;8200 012013- ;8300 012705- ;8400 012684-)
RE027032 -UN-17JUL96



RE027032

7H2

HYDRAULICS

KEY	PART NO.	PART NAME	QTY	TRACTOR SERIAL NO.	A L L	REMARKS
1	RE68408	BRACKET	1		X	
2	L59320	STUD	2		X	
3	L111699	SHIELD	1		X	
4	L79449	DISK SPRING	16		X	
5	14M7277	NUT	8		X	M20
6	AL61032	STOP	1		X	
7	25M7032	GROOVE PIN	1		X	5 X 20 MM
8	99M7085	QUICK LOCK PIN	1		X	
9	25M7032	GROOVE PIN	1		X	5 X 20 MM
10	RE66328	SHIELD	1		X	
11	19M7779	CAP SCREW	2		X	M20 X 240, HS 10.9
12	24M7242	WASHER	8		X	21.400 X 42 X 5 MM
13	19M8100	CAP SCREW	2		X	M20 X 180, HS 10.9
14	R124423	HITCH	2		X	
15	RE60265	RAIL	1		X	(B)
16	19M8389	CAP SCREW	2		X	M20 X 280, HS 10.9
17	19M7968	CAP SCREW	4		X	M20 X 130, HS 10.9
18	24M7242	WASHER	4		X	(A) 21.400 X 42 X 5 MM
19	14M7277	NUT	2		X	M20
20	14M7274	NUT	4		X	M10
21	24M7346	WASHER	4		X	11 X 20 X 2 MM
22	AL61072	PIN	2		X	(B)
23	14M7277	NUT	4		X	(A) M20

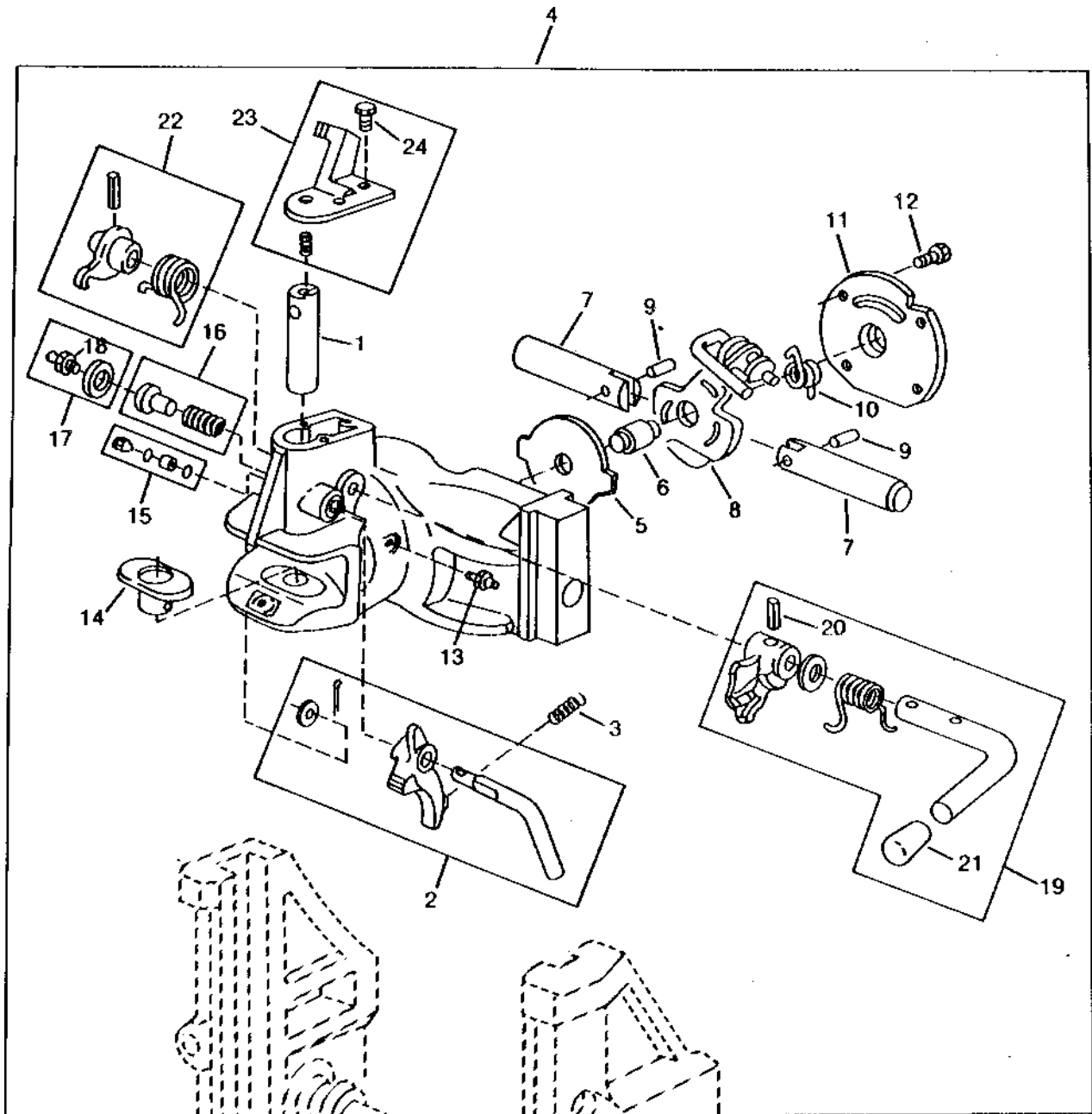
(A) W/O SWAY BLOCK
W/O CALE STABILISATRICE
W/O STABILISIERUNGSANSCHLAG
W/O BLOCCO STABILIZZATORE
W/O BLOQUE ESTABILIZADOR
W/O STABILISERINGSBLOCK

(B) W/ DRAWBAR
W/ BARRE D'ATTELA
W/ ZUGPENDEL
W/ BARRA DI TRAINO
W/ BARRA DE TIRO
W/ DRAGBOM

7H3

HYDRAULICS

WAGON HITCH COUPLING (EUROPEAN VERSION)
ACCOUPLMENT D'ATTELAGE DE CHARIOT (VERSION EUROPEENNE)
ANHAENGEVORRICHTUNGS-KUPPLUNG (EUROPÄISCHE AUSFUEHRUNG)
ACCOPIAMENTO DELL'ATTACCO DEL CARRO (VERSIONE EUROPEA)
ACOPAMIENTO DEL ENGANCHE DEL CARRO (VERSION EUROPEA)
DRAGANORDNINGSKOPPLING (EUROPEISK VERSION)
RXP020397 -UN-01JAN94



RXP020397

7H4

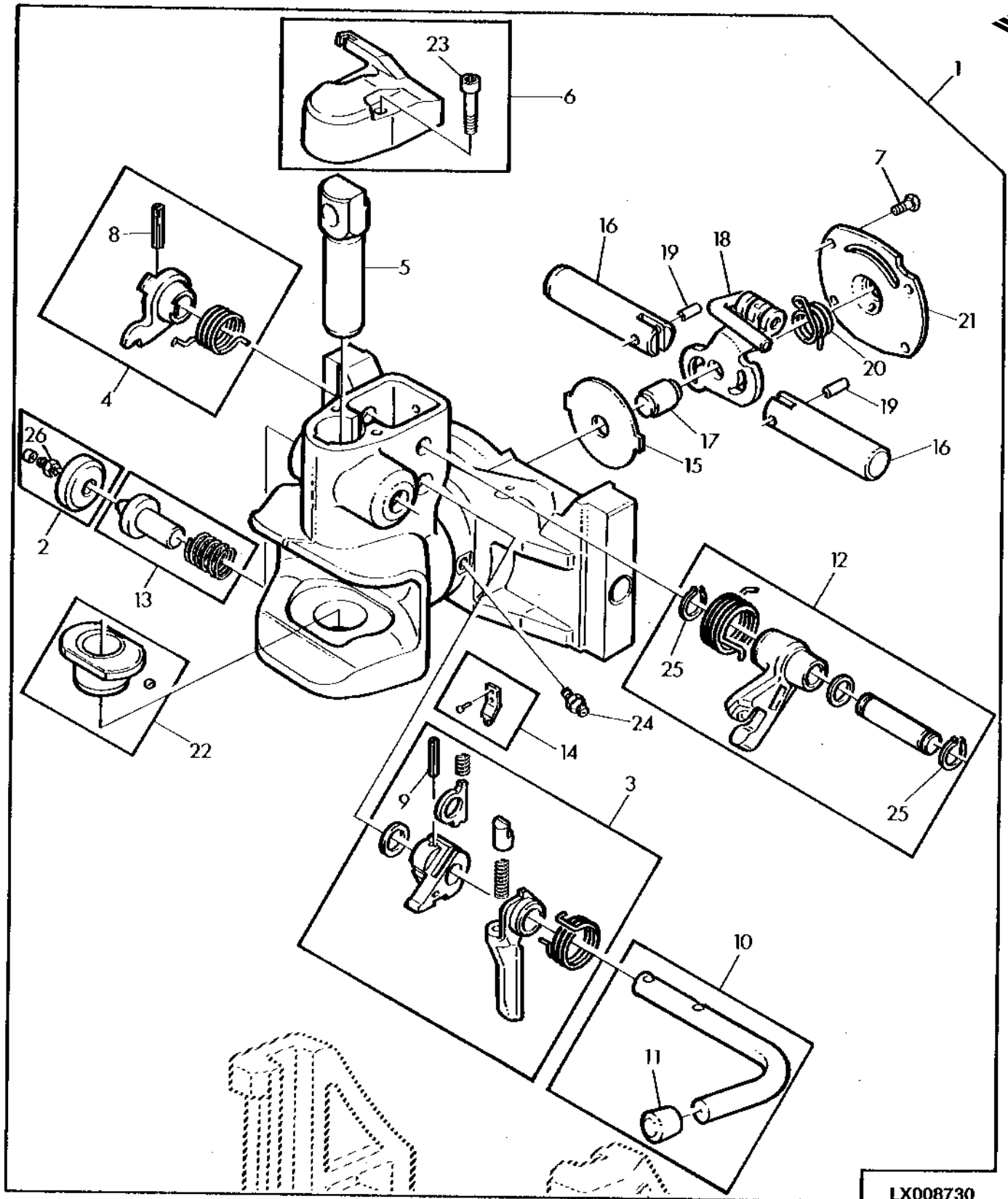
HYDRAULICS

KEY	PART NO.	PART NAME	QTY	TRACTOR SERIAL NO.	A L L	REMARKS
1	AL78607	PIN	1		X	
2	AL78608	LEVER	1		X	
3	AL78609	COMPRESSION SPRING	1		X	
4	AL78820	HITCH COUPLING	1		X	(SUB AL81736)
5	L59336	WASHER	1		X	
6	L59343	PIN	1		X	
7	L59344	PIN	2		X	
8	AL61062	PLATE	1		X	
9	25M7084	PIN	2		X	
10	L59342	TORSION SPRING	1		X	
11	L59345	COVER	1		X	
12	19M7923	CAP SCREW	4		X	M6 X 12, HS 10.9
13	58M5575	LUBRICATION FITTING	1		X	
14	AL35990	BUSHING	1		X	
15	AL78489	SET SCREW	1		X	
16	AL78490	PIN	1		X	
17	AL35991	BUSHING	1		X	
18	58M5575	LUBRICATION FITTING	1		X	
19	AL78491	LEVER	1		X	
20	34M7124	SPRING PIN	1		X	8 X 30 MM
21	L38296	KNOB	1		X	
22	AL78499	LEVER	1		X	
23	AL78487	COVER	1		X	
24	19M7560	CAP SCREW	3		X	M6 X 16

7H5

HYDRAULICS

WAGON HITCH COUPLING (EUROPEAN VERSION) (TSN -025682)
ACCOUPLMENT D'ATTELAGE DE CHARIOT (VERSION EUROPEENNE) (TSN -025682)
ANHAENGEVORRICHTUNGS-KUPPLUNG (EUROPAEISCHE AUSFUEHRUNG) (TSN -025682)
ACCOPIAMENTO DELL'ATTACCO DEL CARRO (VERSIONE EUROPEA) (TSN -025682)
ACOPAMIENTO DEL ENGANCHE DEL CARRO (VERSION EUROPEA) (TSN -025682)
DRAGANORDNINGSKOPPLING (EUROPEISK VERSION) (TSN -025682)
LX008730 -UN-01JAN94



LX008730

7H6

HYDRAULICS

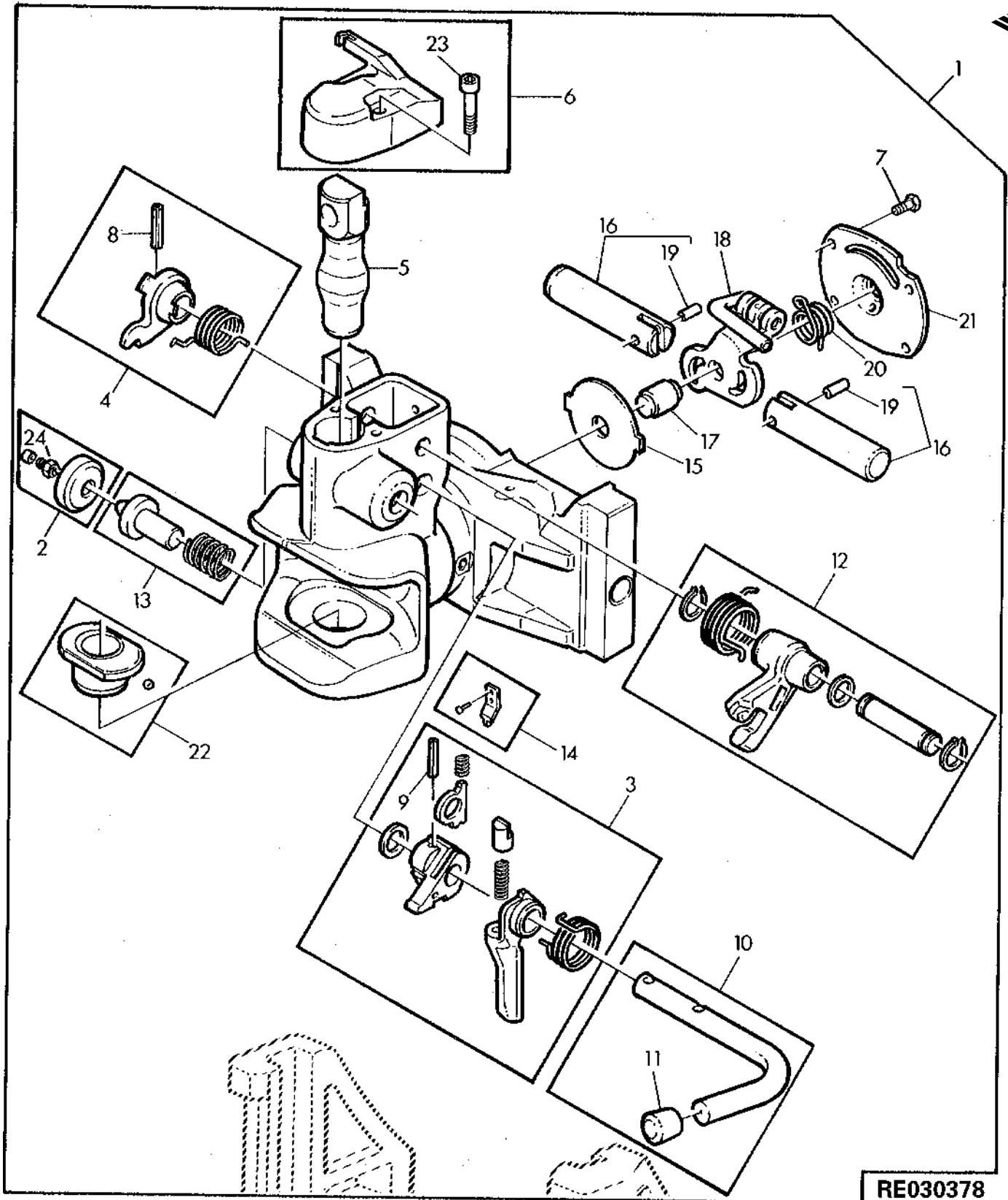
KEY	PART NO.	PART NAME	QTY	TRACTOR SERIAL NO.	A L L	REMARKS
1	AL81736	HITCH	1		X	
2	AL82107	COVER	1		X	
3	AL82095	LEVER	1		X	
4	AL82101	LEVER	1		X	
5	L101966	PIN	1		X	
6	AL82102	COVER	1		X	
7	19M7923	CAP SCREW	4		X	M6 X 12, HS 10.9
8	34M7047	SPRING PIN	1		X	8 X 40 MM
9	34M7124	SPRING PIN	1		X	8 X 30 MM
10	AL82092	LEVER	1		X	(A)
11	L38296	KNOB	1		X	
12	AL82096	CAM	1		X	
13	AL82100	PIN	1		X	
14	AL82103	RETAINER	1		X	
15	L59336	WASHER	1		X	
16	L59344	PIN	2		X	
17	L59343	PIN	1		X	
18	AL82106	PLATE	1		X	
19	25M7084	PIN	2		X	
20	L59342	TORSION SPRING	1		X	
21	L59345	COVER	1		X	
22	AL82098	BUSHING	1		X	
23	19M8123	SCREW	2		X	M8 X 45, HS 12.9
24	58M5575	LUBRICATION FITTING	1		X	
25	40M7188	SNAP RING	2		X	
26	58M5574	LUBRICATION FITTING	1		X	

(A) INCLUDES SPRING PINS
 GOUPILLES-RESSORT INCLUSES
 EINSCHLIESSLICH SPANNSTIFTE
 COMPRENDE SPINE ELASTICHE
 INLUYE PASADORES DE RESORTE
 INKLUDERAR FJAEDERSTIFT

7H7

HYDRAULICS

WAGON HITCH COUPLING (EUROPEAN VERSION) (TSN 025683-)
ACCOUPLMENT D'ATTELAGE DE CHARIOT (VERSION EUROPEENNE) (TSN 025683-)
ANHAENGEVORRICHTUNGS-KUPPLUNG (EUROPAEISCHE AUSFUEHRUNG) (TSN 025683-)
ACCOPIAMENTO DELL'ATTACCO DEL CARRO (VERSIONE EUROPEA) (TSN 025683-)
ACOPLAMIENTO DEL ENGANCHE DEL CARRO (VERSION EUROPEA) (TSN 025683-)
DRAGANORDNINGSKOPPLING (EUROPEISK VERSION) (TSN 025683-)
RE030378 -UN-26FEB99



RE030378

7H8

HYDRAULICS

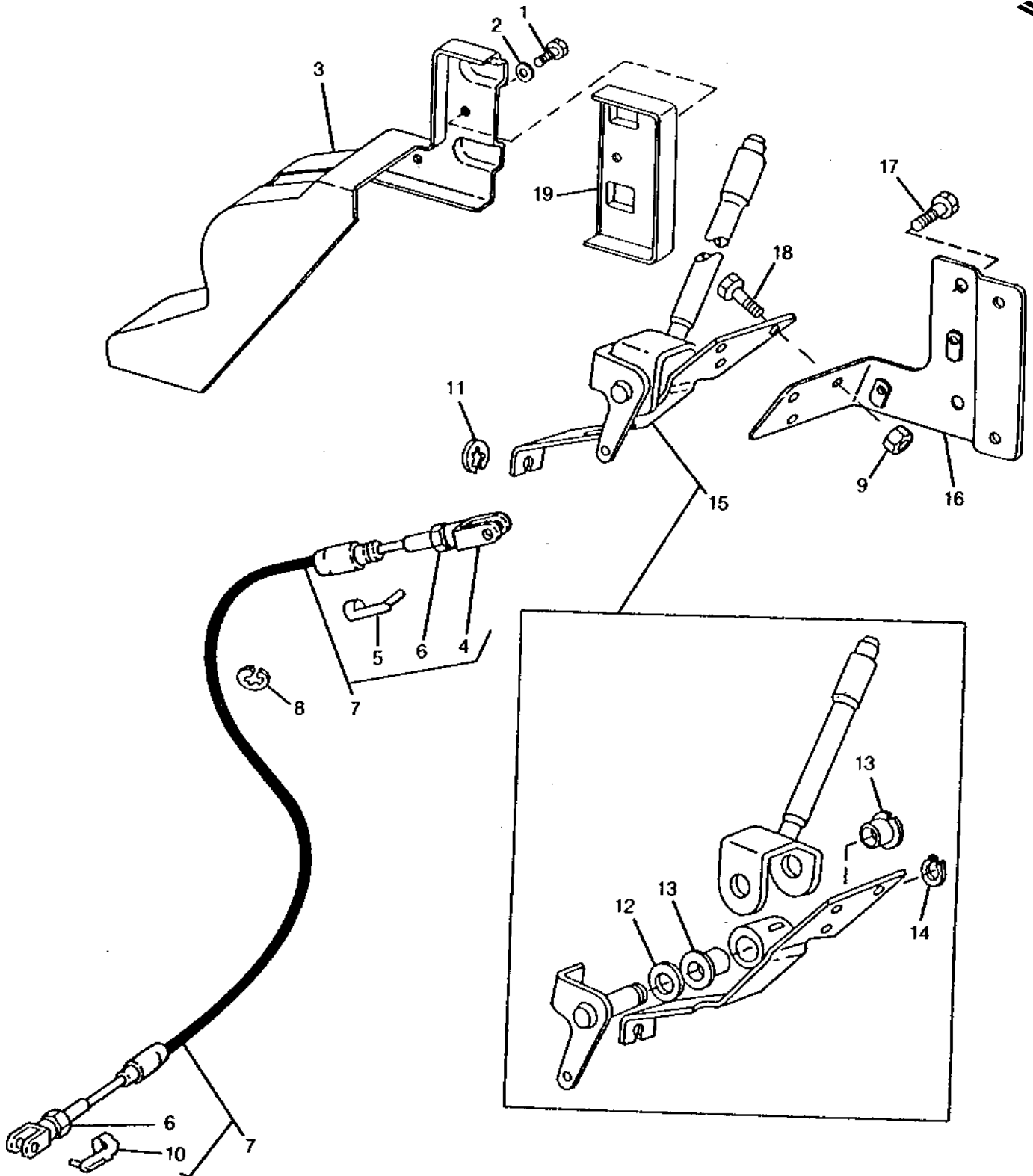
KEY	PART NO.	PART NAME	QTY	TRACTOR SERIAL NO.	A	REMARKS
					L	
1	AL116738	HITCH	1		X	
2	AL82107	COVER	1		X	
3	AL82095	LEVER	1		X	
4	AL82101	LEVER	1		X	
5	L115420	PIN	1		X	
6	AL82102	COVER	1		X	
7	19M7923	CAP SCREW	4		X	M6 X 12, HS 10.9
8	34M7047	SPRING PIN	1		X	8 X 40 MM
9	34M7124	SPRING PIN	1		X	8 X 30 MM
10	AL82092	LEVER	1		X	(A)
11	L38296	KNOB	1		X	
12	AL118059	CAM	1		X	
13	AL118060	PIN	1		X	
14	AL82103	RETAINER	1		X	
15	L59336	WASHER	1		X	
16	AL118001	PIN	2		X	
17	L59343	PIN	1		X	
18	AL118000	PLATE	1		X	
19	44M7070	DOWEL PIN	2		X	
20	L59342	TORSION SPRING	1		X	
21	L59345	COVER	1		X	
22	L115419	BUSHING	1		X	
23	19M8123	SCREW	2		X	M8 X 45, HS 12.9
24	58M5574	LUBRICATION FITTING	1		X	

(A) INCLUDES SPRING PINS
 GOUPILLES-RESSORT INCLUSES
 EINSCHLIESSLICH SPANNSTIFTE
 COMPRENDE SPINE ELASTICHE
 INLUYE PASADORES DE RESORTE
 INKLUDERAR FJAEDERSTIFT

7H9

HYDRAULICS

WAGON HITCH CONTROLS (EUROPEAN VERSION)
COMMANDES D'ATTELAGE DU CHARIOT (VERSION EUROPEENNE)
ANHAENGEVORRICHTUNG, STEUERUNGEN (EUROPAEISCHE AUSFUEHRUNG)
COMANDI DI ATTACCO DEL CARRO (VERSIONE EUROPEA)
CONTROLES DEL ENGANCHE (VERSION EUROPEA)
DRAGANORDNING, REGLAGE (EUROPEISK VERSION)
RXP011280 -UN-01JAN94



RXP011280

7H10

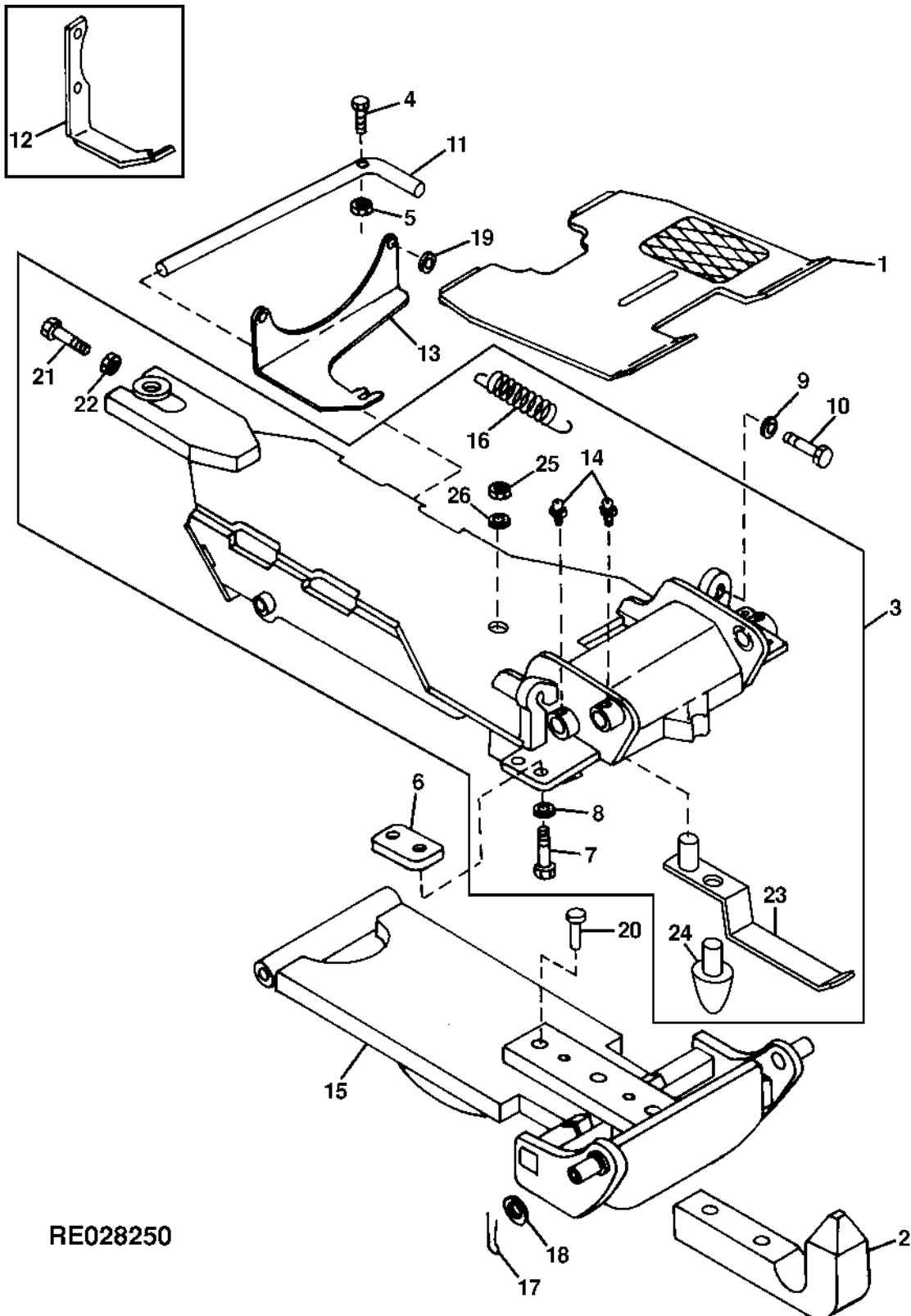
HYDRAULICS

KEY	PART NO.	PART NAME	QTY	TRACTOR SERIAL NO.	A L L	REMARKS
1	21M7292	SCREW	2		X	M6 X 16
2	24M7088	WASHER	2	-XXXXXX	X	6.600 X 12 X 1.600 MM
3	R115909	COVER	1		X	
4	L80052	YOKE	1		X	(SUB FOR 54M7004)
5	45M7080	SPRING LOCKING PIN	1		X	
6	14M7272	NUT	2		X	M6
7	RE61052	PUSH PULL CABLE	1		X	
8	L76801	GROMMET	1		X	(SUB FOR L76711)
9	14M7273	NUT	2		X	M8
	14M7274	NUT	1		X	M10
10	45M7101	SPRING LOCKING PIN	1		X	
11	L80465	CLIP	1		X	
12	24M7318	WASHER	1		X	19 X 34 X 3 MM
13	L79672	BUSHING	2		X	
14	40M7051	SNAP RING	1		X	
15	AL78708	CONTROL	1		X	
16	RE61155	BRACKET	1		X	
17	19M7938	CAP SCREW	2		X	M10 X 20, HS 10.9
18	19M7139	CAP SCREW	2		X	M8 X 20
	19M7550	CAP SCREW	1		X	M10 X 35, HS 10.9
19	R125140	COVER	1		X	

7H11

HYDRAULICS

PICK-UP HITCH (EUROPEAN VERSION)
ATELAGE TELESCOPIQUE (VERSION EUROPEENNE)
PICK-UP ANHAENGEVORRICHTUNG (EUROPAEISCHE AUSFUEHRUNG)
ATTACCO TELESCOPICO (VERSIONE EUROPEA)
ENGANCHE EXTENSIBLE (VERSION EUROPEA)
UTSKJUTBAR DRAGANORDNING (EUROPEISK VERSION)
RE028250 -UN-05SEP97



RE028250

7H12

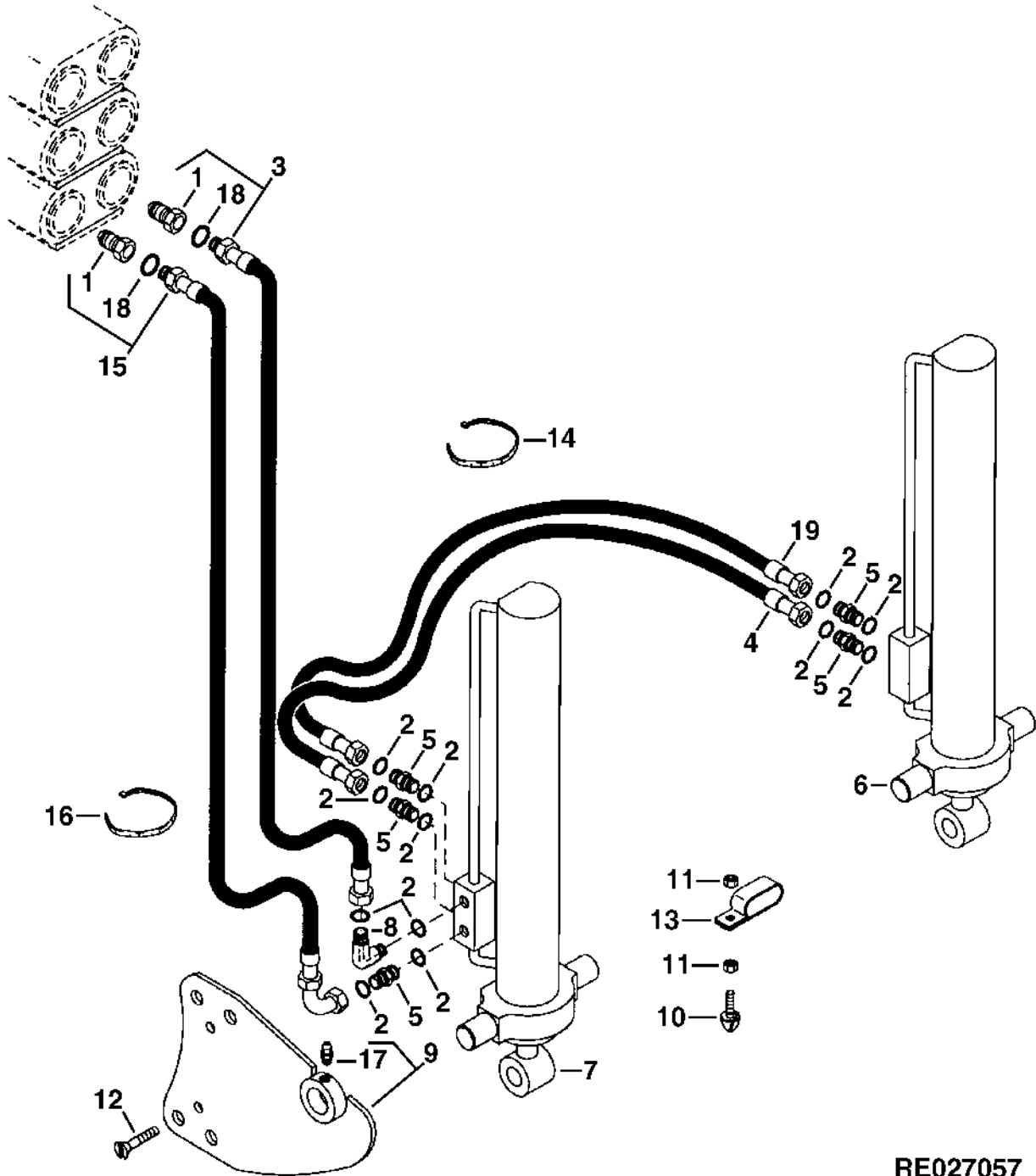
HYDRAULICS

KEY	PART NO.	PART NAME	QTY	TRACTOR SERIAL NO.	A L L	REMARKS
1	RE61156	SHIELD	1	-XXXXXX	X	(SUB RE63207)
	RE63207	SHIELD	1	XXXXXX-	X	
2	L100303	HOOK	1		X	
3	RE61511	SUPPORT	1		X	(SUB FOR RE58869)
4	19M8397	CAP SCREW	1		X	
5	14M7452	LOCK NUT	1		X	M8
6	R125092	BUSHING	AR		X	18 MM (.708")
	R125093	BUSHING	AR		X	18.5 MM (.728")
	R125094	BUSHING	AR		X	19 MM (.748")
	R125095	BUSHING	AR		X	19.5 MM (.768")
	R125096	BUSHING	AR		X	20 MM (.787")
7	19M8224	CAP SCREW	4		X	M20 X 60, HS 10.9
8	24M7242	WASHER	4		X	21.400 X 42 X 5 MM
9	24M7242	WASHER	2		X	21.400 X 42 X 5 MM
10	19M7597	CAP SCREW	2		X	M20 X 50, HS 10.9
11	RE61513	PIN	1		X	
12	R124511	SUPPORT	1	-XXXXXX	X	(SUB R126532)
13	R126532	BRACKET	1	XXXXXX-	X	
14	58M7006	LUBRICATION FITTING	5		X	
15	RE61512	SUPPORT	1		X	(SUB FOR RE58869)
16	L100304	EXTENSION SPRING	1		X	
17	11M7071	COTTER PIN	2		X	8 X 40 MM
18	24M7243	WASHER	2		X	25.400 X 50 X 6 MM
19	24M7346	WASHER	2		X	11 X 20 X 2 MM
20	L101222	PIN	2		X	
21	19M8249	CAP SCREW	1		X	M24 X 100
22	14M7278	NUT	1		X	M24
23	RE71008	BRACKET	1		X	
24	AL80049	DASHPOT	1		X	
25	14M7452	LOCK NUT	1		X	M8
26	24M7096	WASHER	1		X	10.500 X 18 X 1.600 MM

7H13

HYDRAULICS

PICK-UP HITCH CYLINDERS (EUROPEAN VERSION)
ATELAGE TELESCOPIQUE, VERINS (VERSION EUROPEENNE)
PICK-UP-ANHAENGEVORRICHTUNGSZYLINDER (EUROPAEISCHE AUSFUEHRUNG)
CILINDRI DELL'ATTACCO TELESCOPICO (VERSIONE EUROPEA)
CILINDROS DEL ENGANCHE EXTENSIBLE (VERSION EUROPEA)
UTSKJUTBAR DRAGANORDNING, CYLINDRAR (EUROPEISK VERSION)
RE027057 -UN-30JUL96



RE027057

7H14

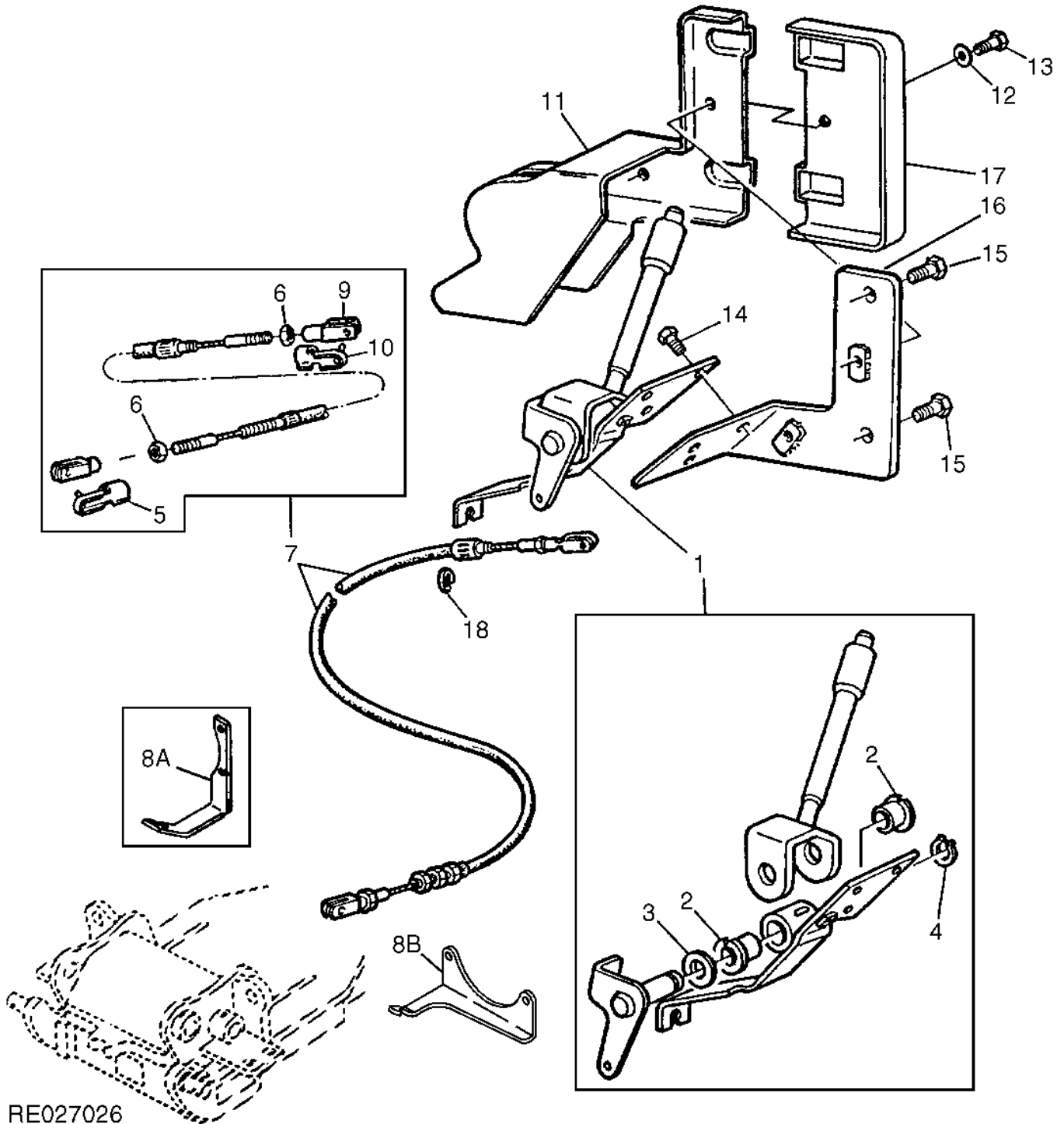
HYDRAULICS

KEY	PART NO.	PART NAME	QTY	TRACTOR SERIAL NO.	A	REMARKS
					L	
1	AR94522	INTERNAL HALF COUPLER	2		X	
2	T77613	O-RING	10		X	
3	RE60918	HYDRAULIC HOSE	1		X	
4	RE60916	HYDRAULIC HOSE	2	-XXXXXX	X	
	RE60916	HYDRAULIC HOSE	1	XXXXXX-	X	
5	38H5037	ADAPTER	5		X	
6	RE63209	CYLINDER	1		X	(SUB FOR RE60902)
7	RE63210	CYLINDER	1		X	(SUB FOR RE60903)
8	38H5035	ELBOW FITTING	1		X	
9	RE63206	SUPPORT	1		X	L.H. (SUB FOR RE60913)
	RE63205	SUPPORT	1		X	R.H. (SUB FOR RE60911)
10	AL80049	DASHPOT	1		X	
11	14M7152	NUT	2		X	M10
12	R134232	BOLT	8		X	(SUB FOR R121564)
13	R53524	CLAMP	1		X	
14	R76477	TIE BAND	2		X	
15	RE60919	HYDRAULIC HOSE	1		X	
16	R44302	TIE BAND	1		X	
17	58M7006	LUBRICATION FITTING	2		X	
18	R26375	O-RING	2		X	
19	RE61507	HYDRAULIC HOSE	1	XXXXXX-	X	
..	RE157515	KIT	1		X	

7H15

HYDRAULICS

PICK-UP HITCH CONTROLS (EUROPEAN VERSION)
ATELAGE TELESCOPIQUE, COMMANDES (VERSION EUROPEENNE)
PICK-UP ANHAENGEVORRICHTUNG, STEUERUNGEN (EUROPAEISCHE AUSFUEHRUNG)
COMANDI DI ATTACCO TELESCOPICO (VERSIONE EUROPEA)
CONTROLES DEL ENGANCHE EXTENSIBLE (VERSION EUROPEA)
UTSKJUTBAR DRAGANORDNING, REGLAGE (EUROPEISK VERSION)
RE027026 -UN-17JUL96



RE027026

7H16

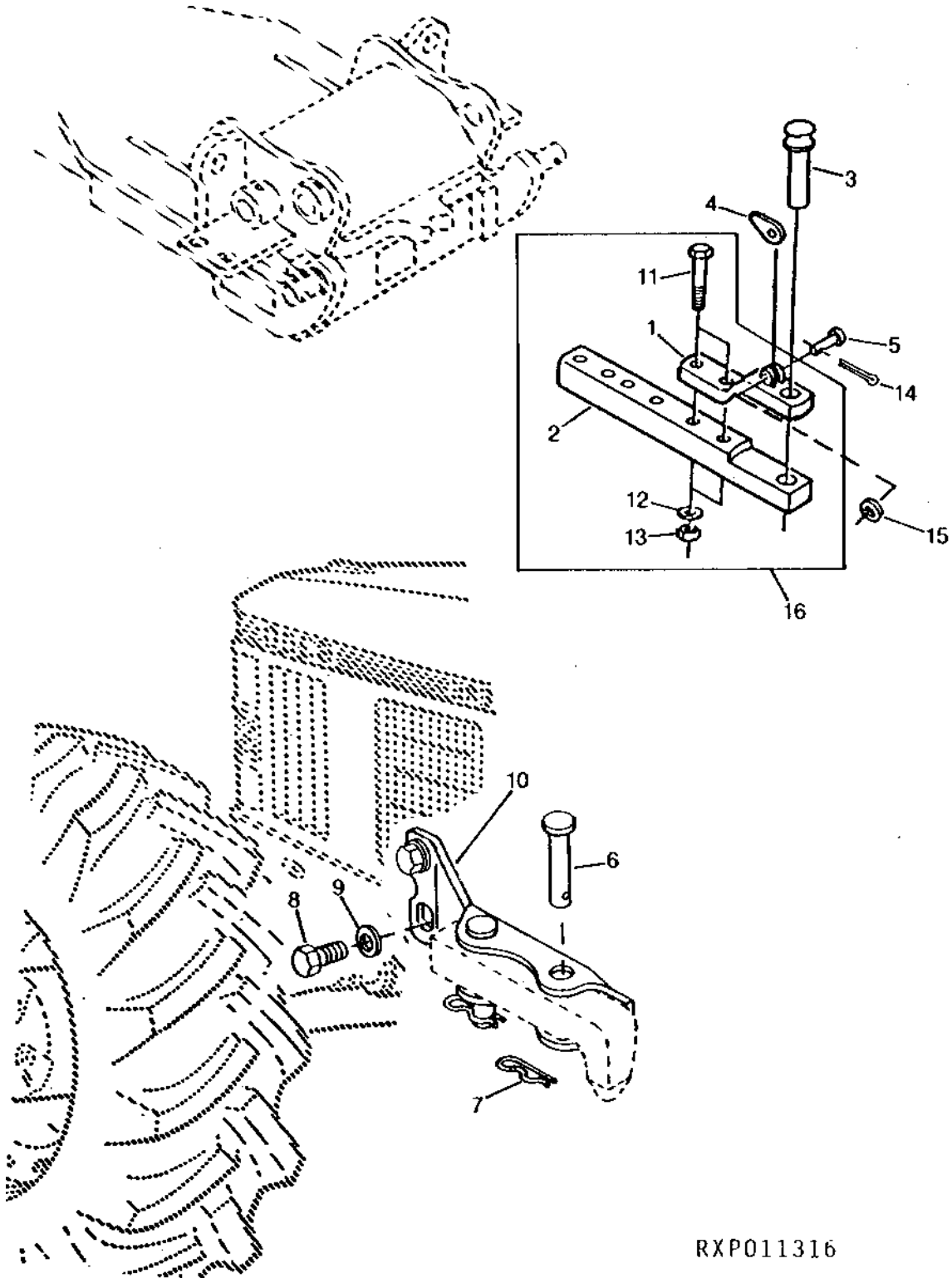
HYDRAULICS

KEY	PART NO.	PART NAME	QTY	TRACTOR SERIAL NO.	A	REMARKS
					L	
1	AL78708	CONTROL	1		X	
2	L79672	BUSHING	2		X	
3	24M7318	WASHER	1		X	19 X 34 X 3 MM
4	40M7051	SNAP RING	1		X	
5	45M7080	SPRING LOCKING PIN	1		X	
6	14M7272	NUT	2		X	M6
7	RE54058	PUSH PULL CABLE	1	-XXXXXX	X	2950 MM (116")
	RE62792	PUSH PULL CABLE	1	XXXXXX-	X	3200 MM (126")
8A	R124511	SUPPORT	1	-XXXXXX	X	(SUB R126532)
8B	R126532	BRACKET	1	XXXXXX-	X	
	24M7346	WASHER	1		X	11 X 20 X 2 MM
9	L80052	YOKE	1		X	(SUB FOR 54M7004)
10	45M7101	SPRING LOCKING PIN	1		X	
11	R115909	COVER	1		X	
12	24M7088	WASHER	2	-XXXXXX	X	6.600 X 12 X 1.600 MM
13	21M7292	SCREW	2		X	M6 X 16
14	19M7139	CAP SCREW	2		X	M8 X 20
15	19M7938	CAP SCREW	2		X	M10 X 20, HS 10.9
16	RE61155	BRACKET	1		X	
17	R125140	COVER	1		X	
18	L80465	CLIP	1		X	

7H17

HYDRAULICS

PICK-UP HITCH DRAWBAR (EUROPEAN VERSION)
BARRE D'ATTELAGE TELESCOPIQUE (VERSION EUROPEENNE)
PICK-UP-ANHAENGE VORRICHTUNG, ZUGPENDEL (EUROPAEISCHE AUSFUEHRUNG)
BARRA DI TRAINO DELL'ATTACCO DI TRAINO (VERSIONE EUROPEA)
BARRA DE TIRO DEL ENGANCHE EXTENSIBLE (VERSION EUROPEA)
UTSKJUTBAR DRAGANORDNING, DRAGBOM (EUROPEISK VERSION)
RXP011316 -UN-01JAN94



RXP011316

7H18

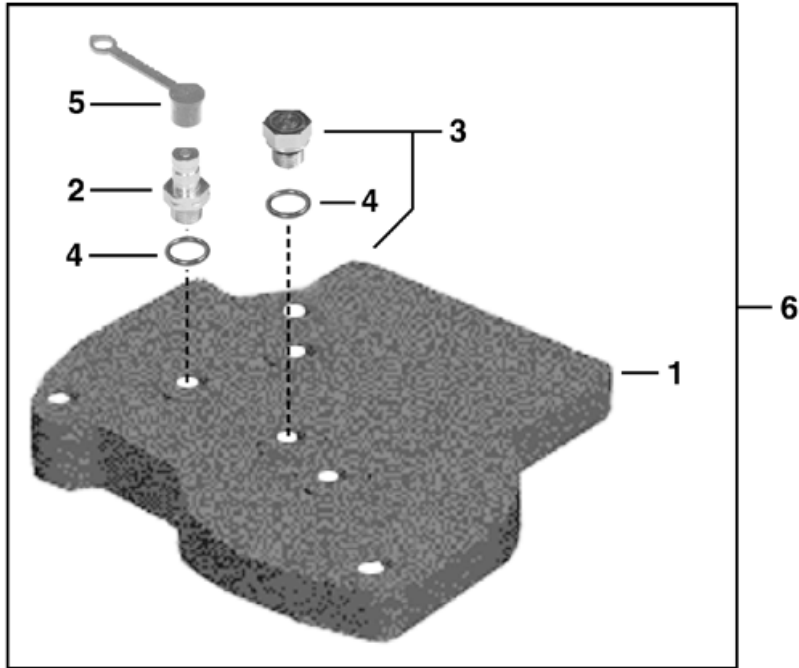
HYDRAULICS

KEY	PART NO.	PART NAME	QTY	TRACTOR SERIAL NO.	A L L	REMARKS
1	AL80062	CLEVIS	1		X	
2	L100300	DRAWBAR	1		X	
3	L63825	PIN	1		X	
4	L63826	LATCH	1		X	
5	R52107	PIN	1		X	
6	L100309	PIN	2		X	
7	Z27858	COTTER PIN	2		X	
8	19M7946	CAP SCREW	2		X	M20 X 40, HS 10.9
9	24M7242	WASHER	2		X	21.400 X 42 X 5 MM
10	RE62635	BRACKET	1		X	(SUB FOR R125091)
11	19M7884	CAP SCREW	2		X	M16 X 110, HS 10.9
12	24M7097	WASHER	2		X	17 X 28 X 2.500 MM
13	14M7276	NUT	2		X	M16
14	11M7008	COTTER PIN	1		X	2 X 14 MM
15	24M7055	WASHER	1		X	8.400 X 16 X 1.600 MM
16	AL80061	DRAWBAR	1		X	

MEMORANDA
MEMORANDA
MEMORANDA
MEMORANDA
MEMORANDA

7H19

END COVER (SELECTIVE CONTROL VALVE)
 EMBOUT (DISTRIBUTEUR SELECTIF)
 ENDABDECKUNG (ZUSATZSTEUERGERAET)
 COPERCHIO TERMINALE (VALVOLA DI CONTROLLO SELETTIVO)
 TAPA TERMINAL (VALVULA DE CONTROL SELECTIVO)
 AENDSKYDD (SELEKTIV MANOEVERTENTIL)
 RXP020770 -UN-16MAR95



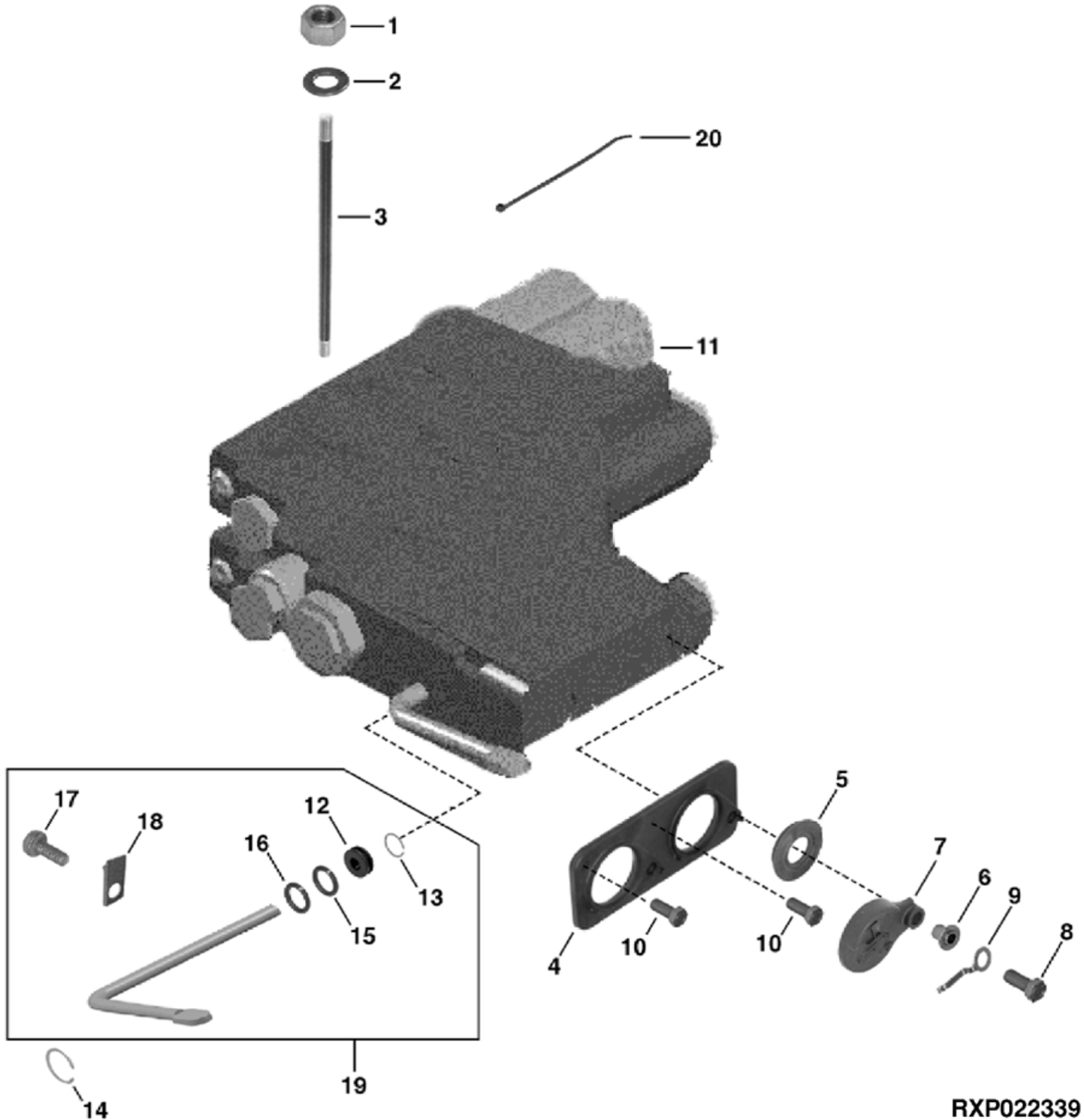
RXP020770

KEY	PART NO.	PART NAME	QTY	TRACTOR SERIAL NO.	A	REMARKS
					L	
1	R124673	COVER	1	-XXXXXX	X	
	R136185	VALVE COVER	1	XXXXXX-	X	
2	RE12187	RECEPTACLE	3		X	
3	RE46684	PLUG	1		X	
4	51M7041	O-RING	4		X	11.300 X 2.200 MM
5	R77175	COVER	3		X	
6	RE61321	END	1	-XXXXXX	X	

7H20

HYDRAULICS

SELECTIVE CONTROL VALVE
DISTRIBUTEUR SELECTIF
ZUSATZSTEUERGERAET
VALVOLA DI CONTROLLO SELETTIVO
VALVULA DE CONTROL SELECTIVO
SELEKTIV MANOEVERTENTIL
RXP022339 -UN-23OCT97



RXP022339

7H21

HYDRAULICS

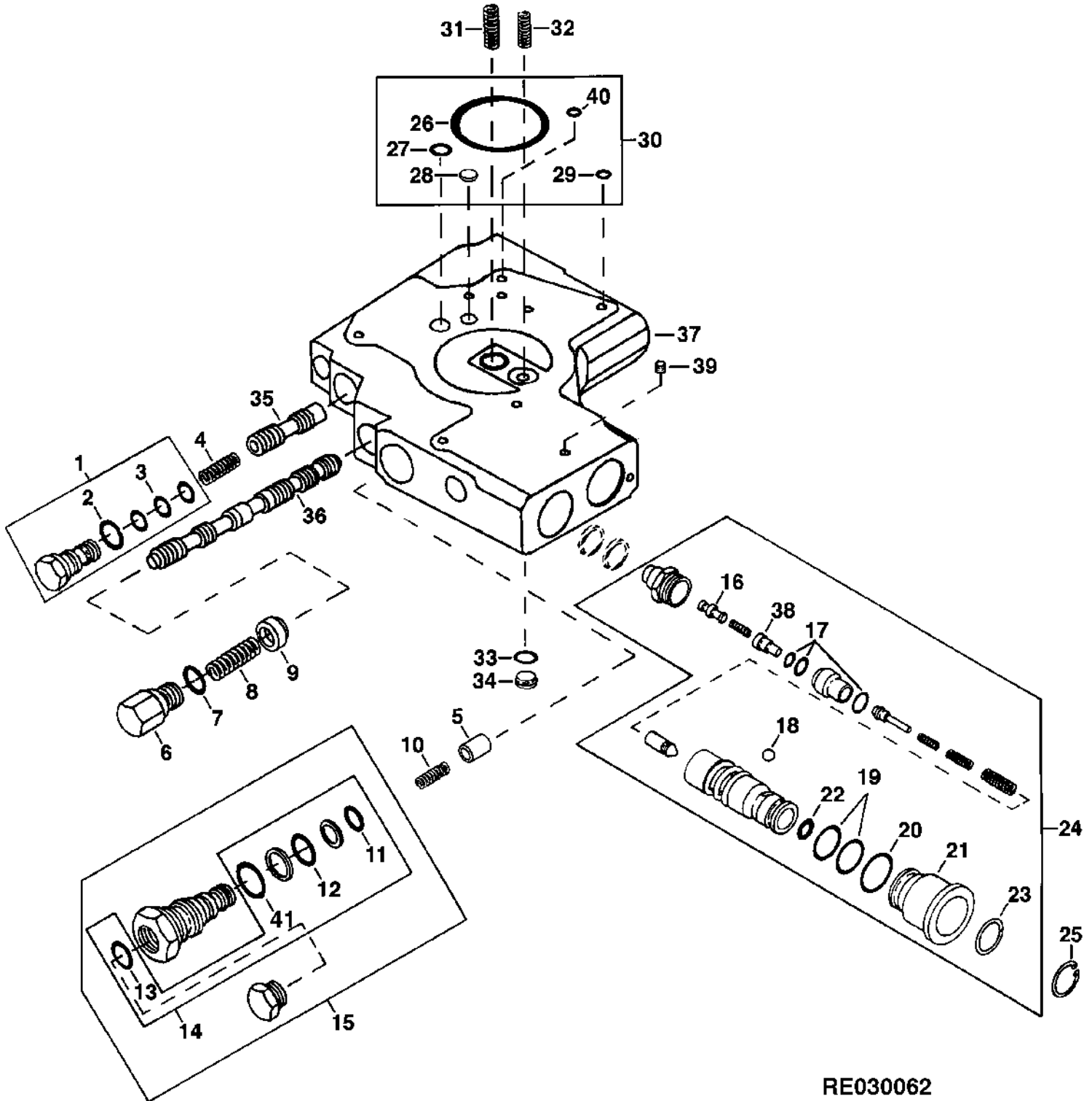
KEY	PART NO.	PART NAME	QTY	TRACTOR SERIAL NO.	A L L	REMARKS
1	E69392	NUT	3		X	
2	24M7240	WASHER	3		X	13 X 25 X 3 MM
3	R112300	BOLT	3		X	(3RD SCV)
	R112442	BOLT	3		X	(4TH SCV)
	R122148	BOLT	3		X	(5TH SCV)
4	R124006	RETAINER	AR		X	
5	R126556	SEAL	AR		X	(SUB FOR R81053)
6	R124009	BUSHING	AR		X	
7	R124007	COVER	AR		X	
8	19M7796	SCREW	AR		X	M6 X 30, HS 10.9
9	R124008	SPRING	AR		X	
10	19M6614	CAP SCREW	AR		X	M6 X 12
11	RE61121	CONTROL VALVE	AR		X	(A)
12	COVER	1		X	(ORDER RE70119)
13	R121981	SNAP RING	2		X	
14	R52876	SNAP RING	AR		X	
15	R27564	O-RING	1		X	
16	R10093	O-RING	1		X	
17	19M7702	SCREW	2		X	M4 X 10, HS 10.9
18	R117076	CAM	2		X	
19	RE70119	LEVER	AR		X	(SUB FOR RE54400)
20	R44302	TIE BAND	3		X	
..	57M7281	CONNECTOR	2		X	
..	57M7259	ELECTRICAL PLUG	8		X	

(A) REPLACEMENT
 REMPLACEMENT
 ERSATZ
 RICAMBIO
 REPUESTO
 UTBYTESHYTT

7H22

HYDRAULICS

SELECTIVE CONTROL VALVE COUPLER
RACCORD DE DISTRIBUTEUR SELECTIF
ZUSATZSTEUERGERAET-KUPPLUNG
ACCOPIATORE DELLA VALVOLA A CONTROLLO SELETTIVO
ACOPADOR DE LA VALVULA DE CONTROL SELECTIVO
KOPPLING FOER SELEKTIV MANOEVERTENTIL
RE030062 -UN-27OCT98



RE030062

7H23

HYDRAULICS

KEY	PART NO.	PART NAME	QTY	TRACTOR SERIAL NO.	A L L	REMARKS
1	RE60874	PLUG	1		X	
2	U12547	O-RING	1		X	
3	A3190R	O-RING	1		X	
4	R124482	SPRING ASSEMBLY	1		X	
5	R124454	POPPET	2		X	
6	R124456	PLUG	2		X	
	R134778	PLUG	1		X	(A) (1ST SCV)
	R124456	PLUG	1		X	(A) (1ST SCV)
7	U17409	O-RING	2		X	
8	R124457	SPRING	2		X	
9	R124458	VALVE SEAT INSERT	2		X	
10	R111238	SPRING	2		X	(SUB FOR R124455)
11	T107035	O-RING	1		X	
12	U15974	O-RING	1		X	
13	R29936	O-RING	1		X	
14	RE61181	KIT	1		X	
15	RE60873	VALVE	2		X	
16	RE60866	SPOOL	2	-XXXXXX	X	(SUB RE66981 AND R131677)
	RE66981	VALVE SPOOL	1	XXXXXX-	X	(ALSO ORDER R131677)
17	RE43892	SEAL KIT	1		X	
18	R107859	BALL	20		X	
19	SEAL KIT	1		X	(ORDER RE43889)
20	R124447	SEAL	2		X	
21	R124445	BUSHING	2		X	
22	R83630	O-RING	2		X	+0°C (32°F)
	R115714	PACKING	2		X	-0°C (32°F)
23	R124446	RING	2		X	
24	RE52981	HYD. QUICK-CONNECT COUPLER	2		X	
25	N107859	SNAP RING	2		X	
26	F2573R	O-RING	1		X	
27	R61871	O-RING	2		X	
28	R122147	CHECK VALVE	1		X	
29	R28776	O-RING	7		X	
30	RE60933	SEAL KIT	1		X	
31	R124461	SPRING	1		X	
32	R124460	SPRING	1		X	
33	U11326	O-RING	2		X	
34	R124459	PLUG	2		X	
35	SPOOL	1		X	(ORDER RE60892)
36	SPOOL	1		X	(ORDER RE60892)
37	HOUSING	1		X	(ORDER RE60892)
38	R131677	GUIDE	1	XXXXXX-	X	(USE WITH RE66981)
39	R122396	PLUG	2		X	(B) UP
40	R33259	O-RING	1		X	
41	R151439	O-RING	1		X	

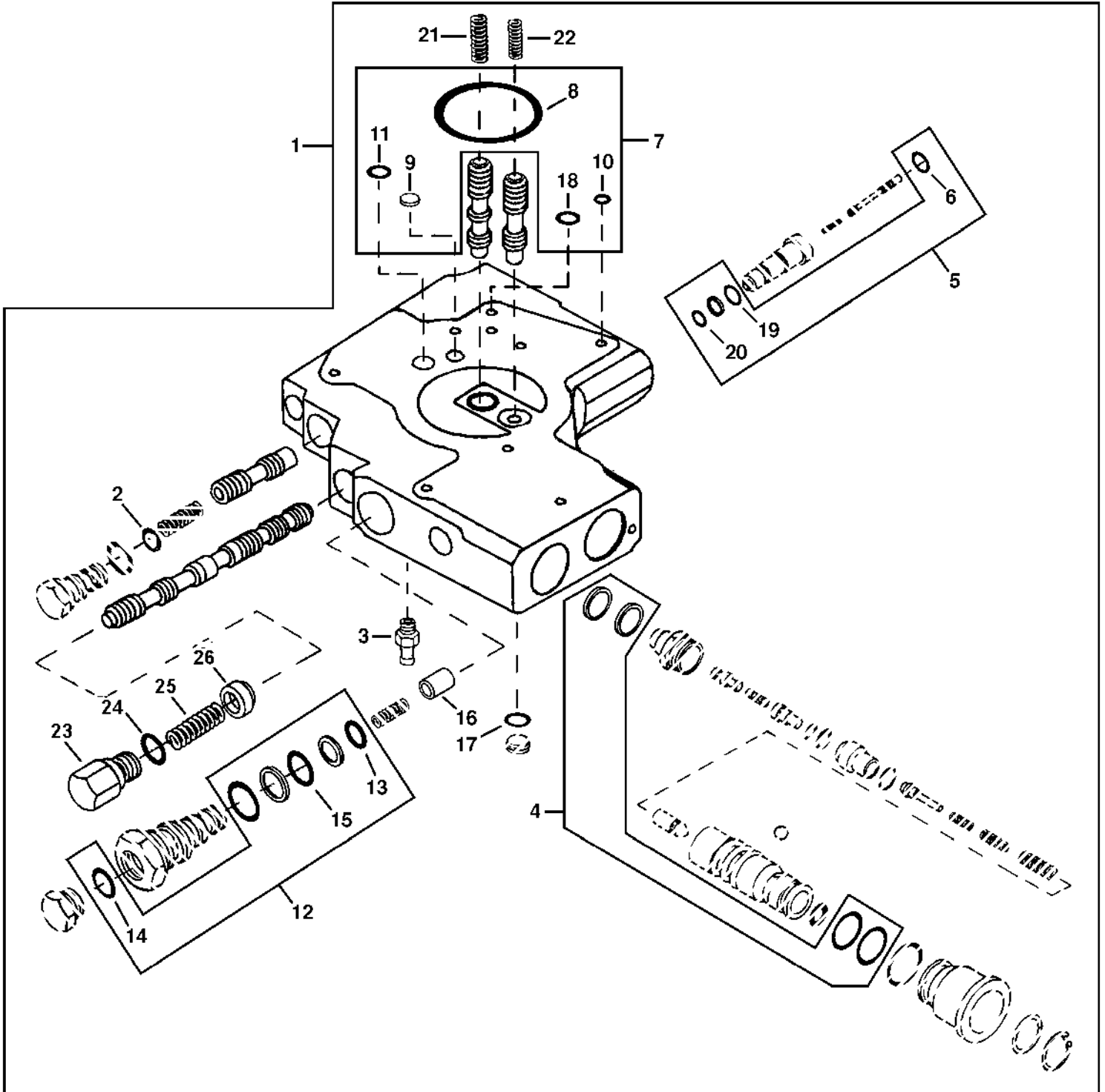
(A) W/O HITCH
W/O ATTELAGE
W/O ANHAENGEVORRICHTUNG
W/O ATTACCO
W/O ENGANCHE
W/O DRAG

(B) TOP SCV ONLY
DISTRIBUTEUR SELECTIF SUPERIEUR UNIQUEMENT
MUR OBERES ZUSATZSTEUERVENTIL
SOLO DISTRIBUTORE IDRAULICO SUPERIORE
VCS SUPERIOR SOLAMENTE
ENDAST DEN OEVRE HYDRAULOLJEVENTILEN

7H24

HYDRAULICS

SELECTIVE CONTROL VALVE OVERHAUL KIT
JEU DE PIECES DE RECHANGE DE DISTRIBUTEUR SELECTIF
UEBERHOLSATZ FUER STEUERGERAET
SERIE PEZZI DI SOSTITUZIONE DISTRIBUTORE SELETTIVO
JUEGO DE REPARACION SELECTIVO DE LA VALVULA DE CONTROL
RENOVERINGSSATS FOER VAEJLARVENTIL
RE030395 -UN-11MAY99



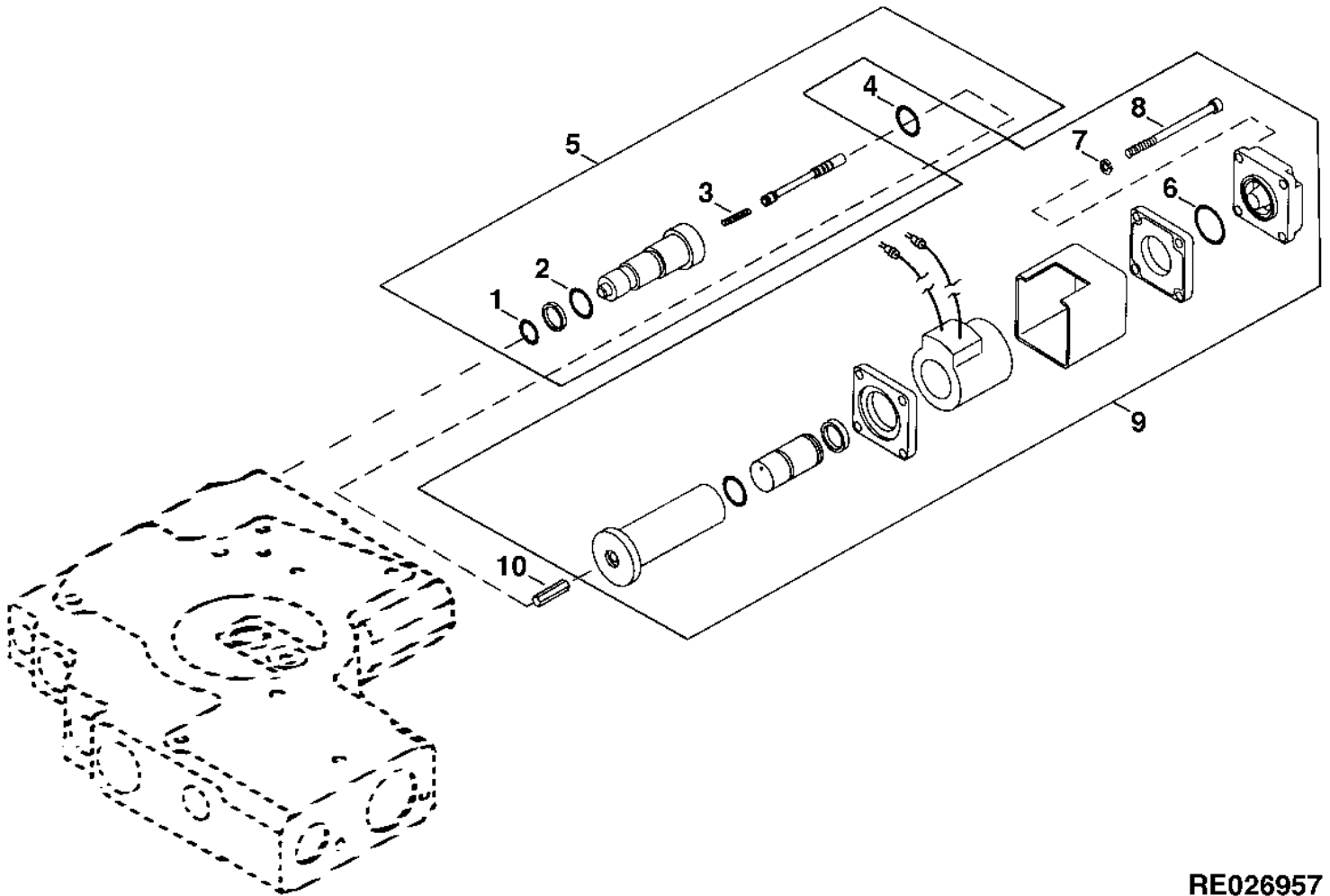
RE030395

7H25

HYDRAULICS

KEY	PART NO.	PART NAME	QTY	TRACTOR SERIAL NO.	A L L	REMARKS
1	RE60892	KIT	1		X	
2	A3190R	O-RING	1		X	
3	M84313	HOSE FITTING	3		X	
4	RE43889	SEAL KIT	1		X	
5	RE60894	SEAL KIT	2		X	
6	R116031	O-RING	1		X	
7	RE60933	SEAL KIT	1		X	
8	F2573R	O-RING	1		X	
9	R122147	CHECK VALVE	1		X	
10	R28776	O-RING	7		X	
11	R61871	O-RING	2		X	
12	RE61181	KIT	2		X	
13	T107035	O-RING	1		X	
14	R29936	O-RING	1		X	
15	U15974	O-RING	1		X	
16	R124454	POPPET	2		X	
17	U11326	O-RING	2		X	
18	R33259	O-RING	1		X	
19	T15712	O-RING	1		X	
20	T81686	O-RING	1		X	
21	R124461	SPRING	1		X	
22	R124460	SPRING	1		X	
23	R124456	PLUG	1		X	
24	U17409	O-RING	1		X	
25	R124457	SPRING	1		X	
26	R124458	VALVE SEAT INSERT	1		X	

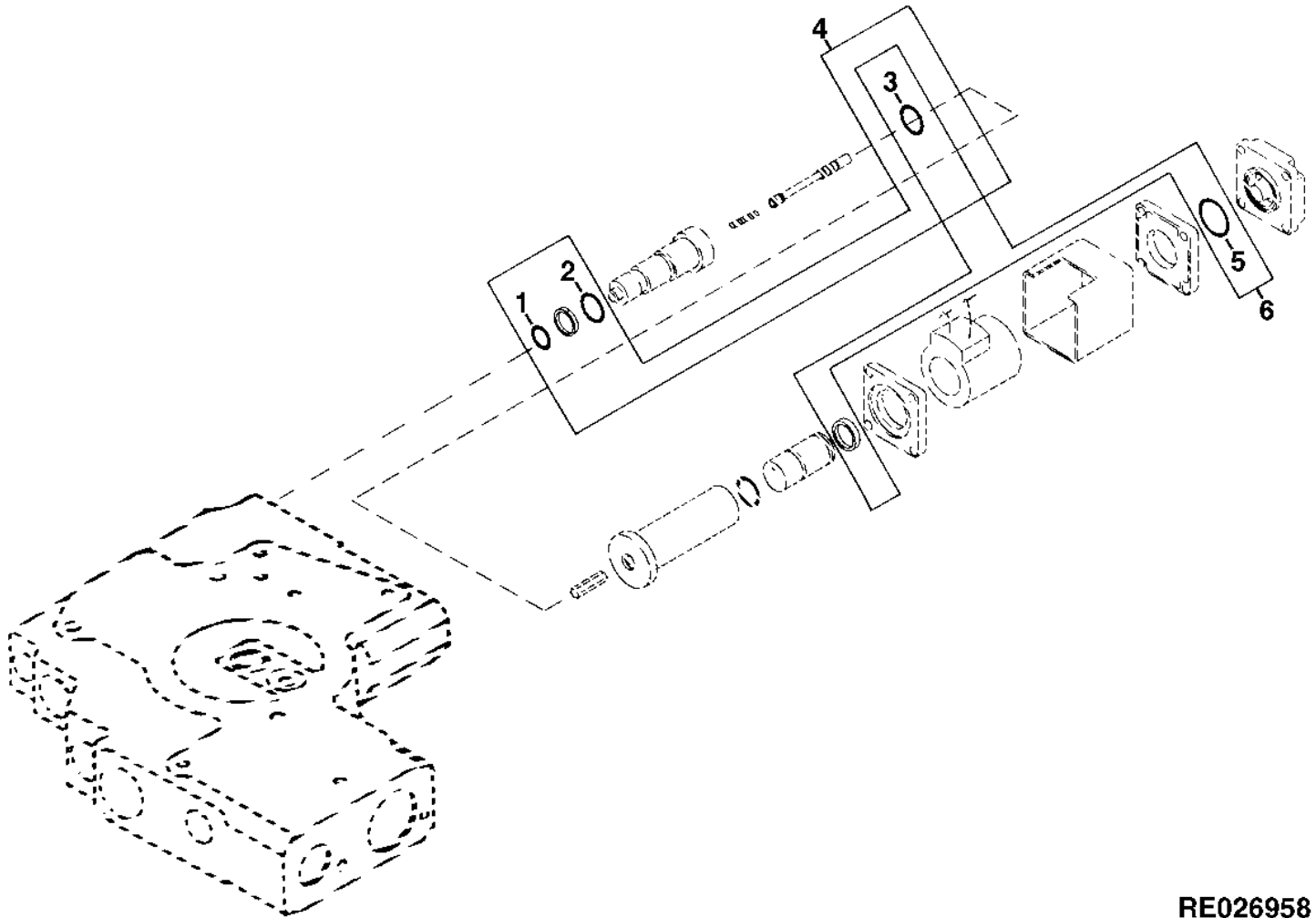
PILOT VALVE / SOLENOID
 DISTRIBUTEUR SELECTIF, SOLENOIDE
 ZUSATZSTEUERGERAET-MAGNETSCHALTER
 SOLENOIDE DEL DISTRIBUTORE IDRAULICO
 SOLENOIDE DE LA VALVULA DE CONTROL SELECTIVO
 SELEKTIV MANOEVERVENTIL, SOLENOID
 RE026957 -UN-19JUN96



RE026957

KEY	PART NO.	PART NAME	QTY	TRACTOR SERIAL NO.	A	REMARKS
					L	
1	T81686	O-RING	1		X	
2	T15712	O-RING	1		X	
3	R127416	SPRING	1		X	(SUB FOR R124480)
4	R116031	O-RING	3		X	
5	RE60893	KIT	AR	-XXXXXX	X	(SUB RE67113)
	RE67113	KIT	AR	XXXXXX-	X	
6	T142419	O-RING	1		X	
7	12H315	LOCK WASHER	4		X	0.164"
8	19M8842	SCREW	4		X	M4 X 60, HS 12.9
9	RE61119	SOLENOID	AR		X	
10	R129049	PUSH PIN	1		X	

PILOT VALVE SEAL KIT
 DISTRIBUTEUR SELECTIF, SOLENOIDE
 ZUSATZSTEUERGERAET-MAGNETSCHALTER
 SOLENOIDE DEL DISTRIBUTORE IDRAULICO
 SOLENOIDE DE LA VALVULA DE CONTROL SELECTIVO
 SELEKTIV MANOEVERTENTIL, SOLENOID
 RE026958 -UN-21JUN96



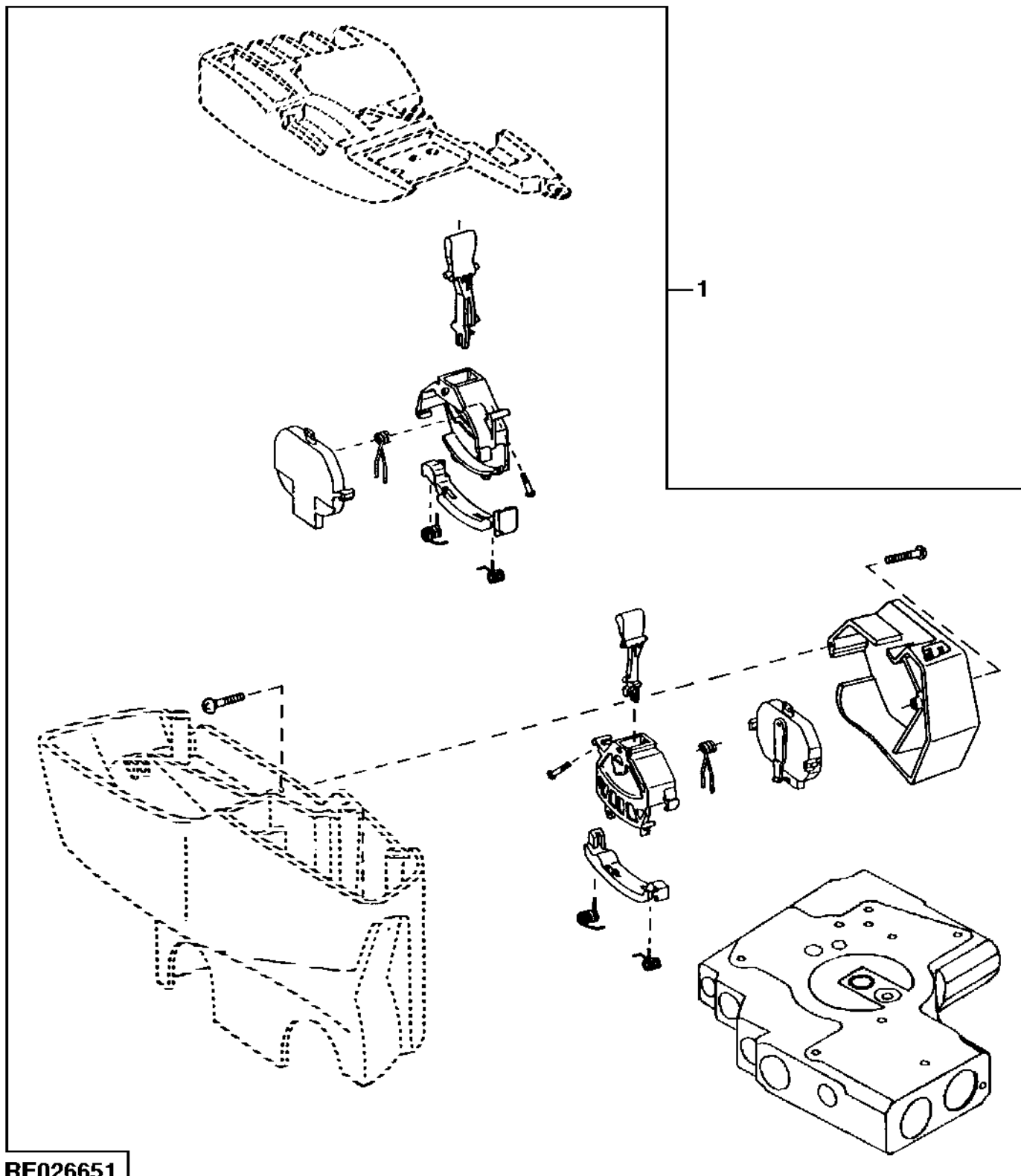
RE026958

714

HYDRAULICS

KEY	PART NO.	PART NAME	QTY	TRACTOR SERIAL NO.	A L L	REMARKS
1	T81686	O-RING	1		X	
2	T15712	O-RING	1		X	
3	R116031	O-RING	1		X	
4	RE60894	SEAL KIT	AR		X	
5	T142419	O-RING	2		X	
6	RE62904	O-RING KIT	AR		X	

REMOTE CYLINDER CONTROL KIT
 JEU DE CYLINDRE A DISTANCE
 FERNSEUERZYLINDERSATZ
 KIT DI CILINDRO A DISTANZA
 JUEGO DE CILINDRO REMOTO
 SEPARATMOTERAD CYLINDERSATS
 RE026651 -UN-13DEC95



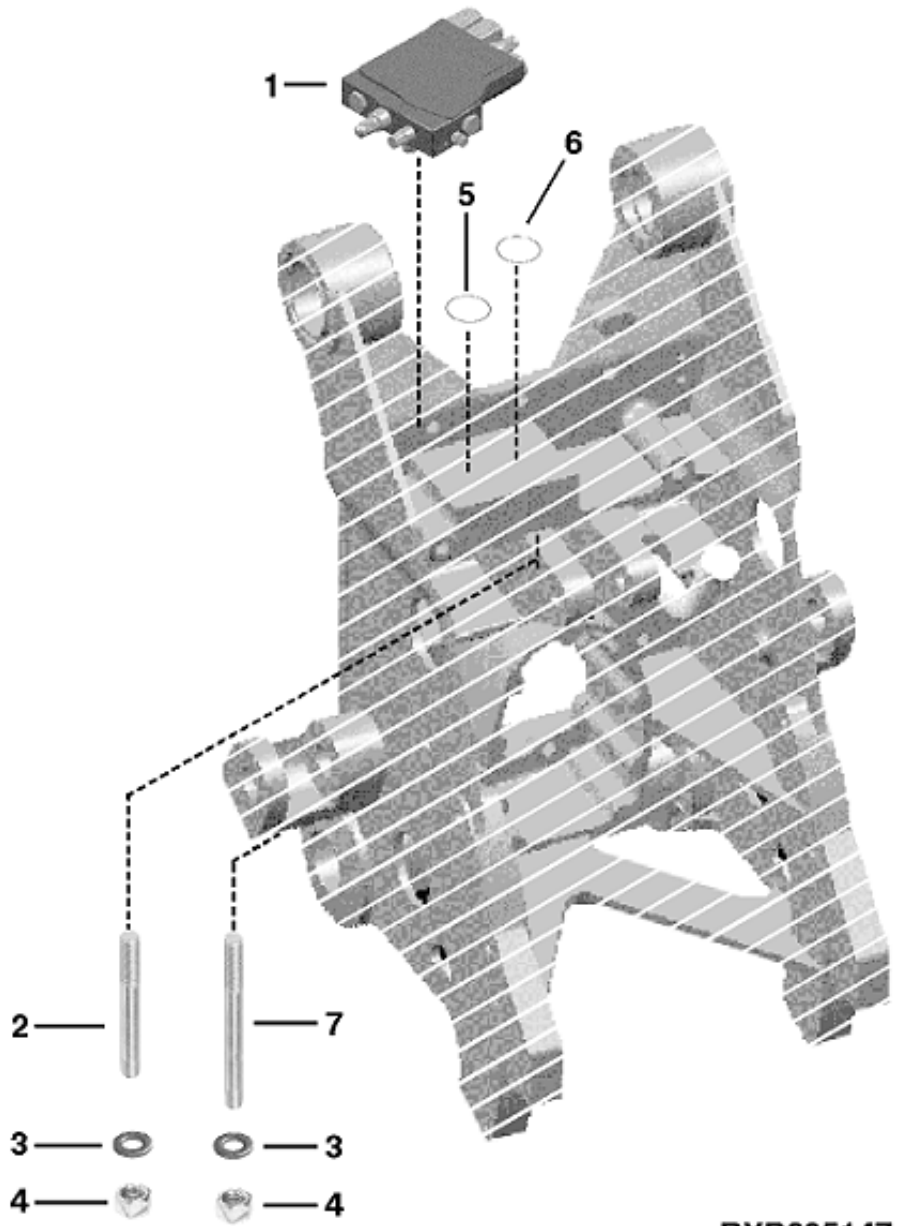
RE026651

716

HYDRAULICS

KEY	PART NO.	PART NAME	QTY	TRACTOR SERIAL NO.	A L L	REMARKS
1	AR116485	KIT	1		X	4TH SCV, (SUB FOR AR115121) (FI)
	AR114034	KIT	1		X	5TH SCV, (FI)

HITCH VALVE / MANIFOLD
 SOUPEPE D'ATTELAGE
 ANHAENGEVORRICHTUNGSVENTIL
 VALVOLA DEL SOLLEVATORE
 VALVOLA DEL ENGANCHE
 LYFT, VENTIL
 RXP025147 -UN-01JAN94



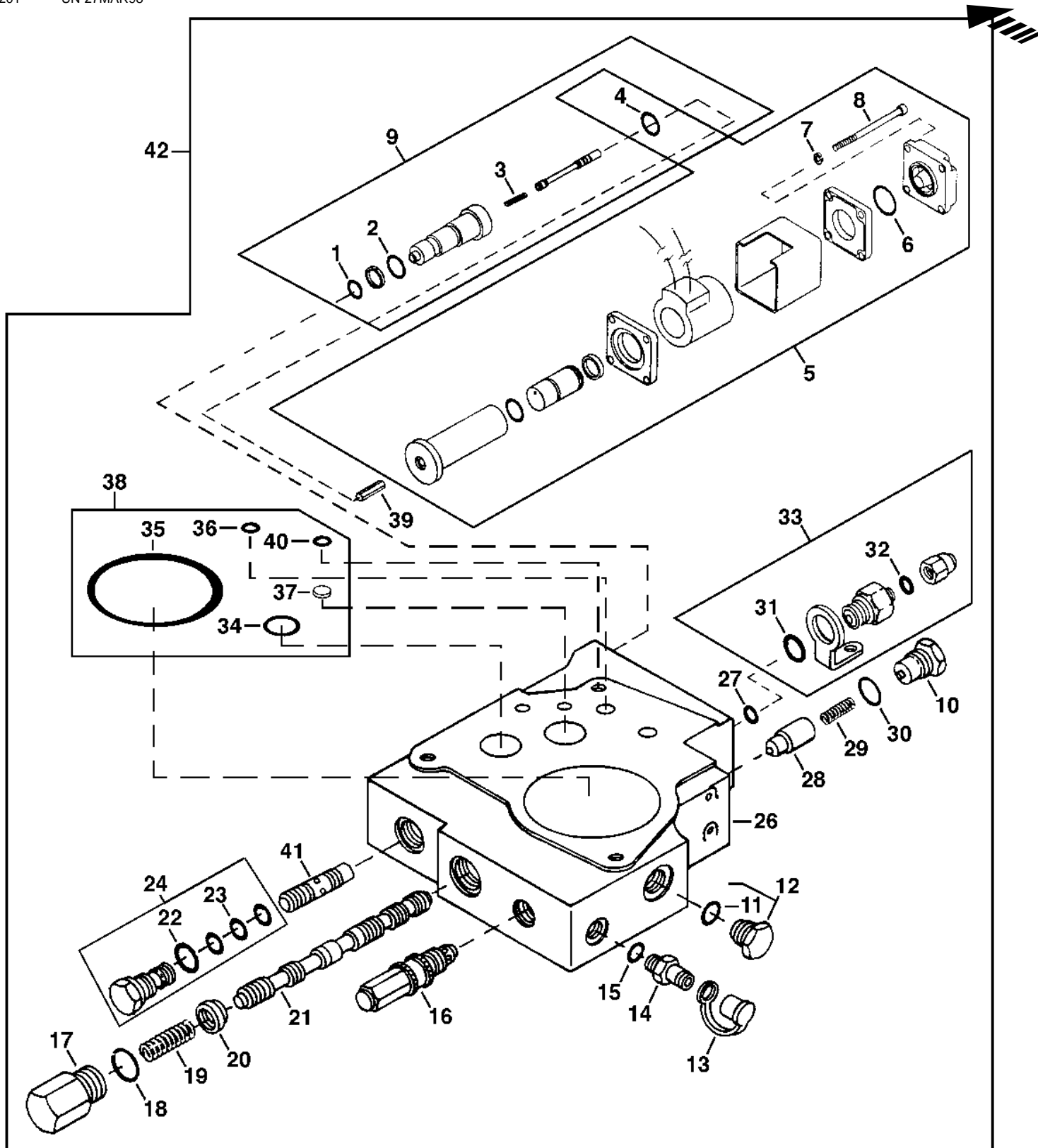
RXP025147

KEY	PART NO.	PART NAME	QTY	TRACTOR SERIAL NO.	A		REMARKS
					L	L	
1	RE61318	VALVE	1		X	(A)	
	RE61322	MANIFOLD	1		X	(B)	
2	42M7061	STUD	1		X		
3	24M7240	WASHER	2		X		13 X 25 X 3 MM
4	14M7275	NUT	2		X		M12
5	T122075	O-RING	2		X		
6	R73599	O-RING	2		X		
7	42M7062	STUD	1		X		

(A) W/ HITCH
W/ ATTELAGE
W/ ANHAENGEVORRICHTUNG
W/ ATTACCO
W/ ENGANCHE
W/ DRAG

(B) W/O HITCH
W/O ATTELAGE
W/O ANHAENGEVORRICHTUNG
W/O ATTACCO
W/O ENGANCHE
W/O DRAG

HITCH VALVE
 SOUPE D'ATTELAGE
 ANHAENGEVORRICHTUNGSVENTIL
 VALVOLA DEL SOLLEVATORE
 VALVOLA DEL ENGANCHE
 LYFT, VENTIL
 RE029201 -UN-27MAR98



RE029201

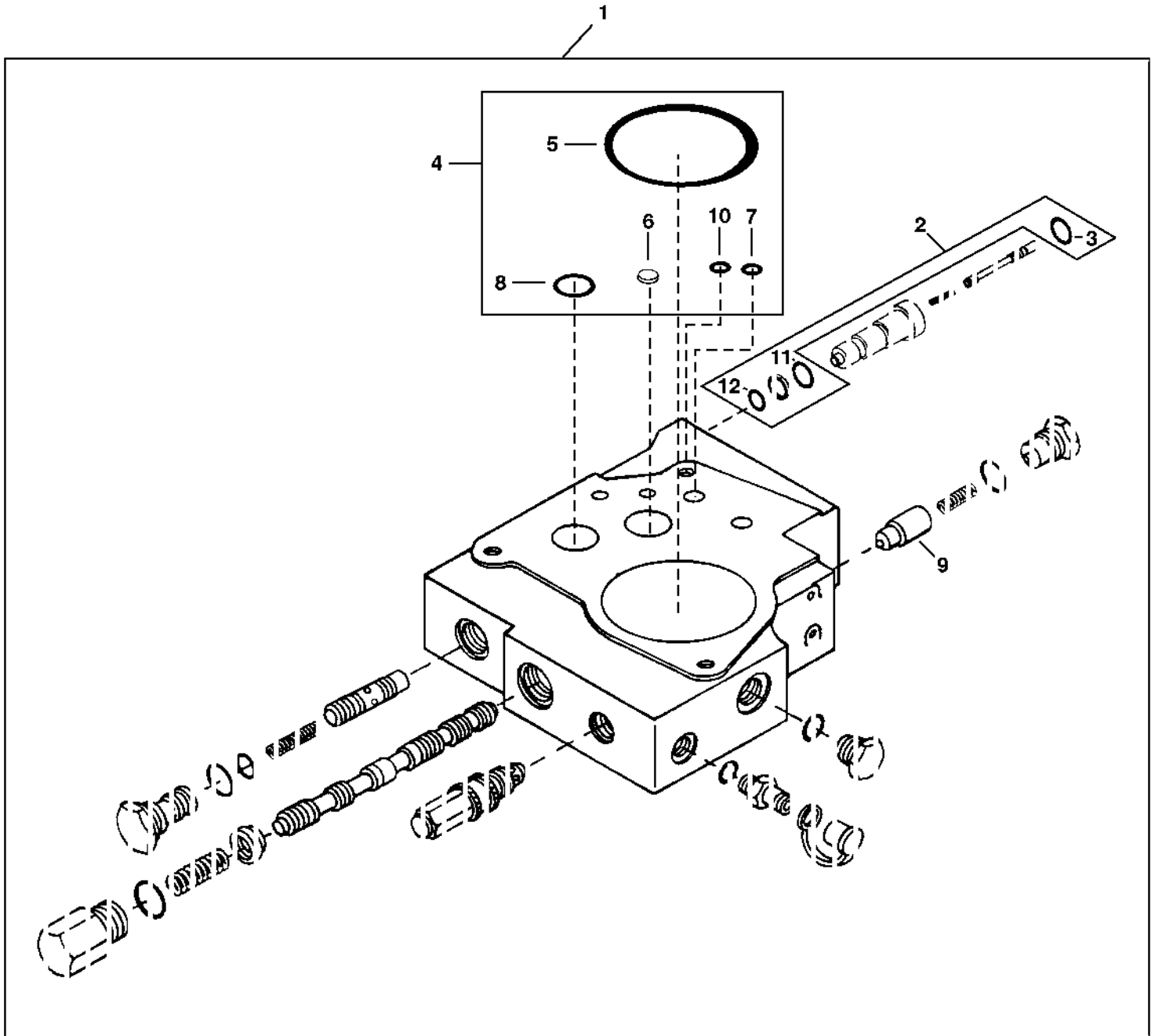
7110

HYDRAULICS

KEY	PART NO.	PART NAME	QTY	TRACTOR SERIAL NO.	A L L	REMARKS
1	T81686	O-RING	2		X	
2	T15712	O-RING	2		X	
3	R127416	SPRING	2		X	(SUB FOR R124480)
4	R116031	O-RING	2		X	
5	RE61119	SOLENOID	AR		X	
6	T142419	O-RING	1		X	
7	12H315	LOCK WASHER	8		X	4.166 MM
8	19M8842	SCREW	8		X	M4 X 60
9	RE60893	KIT	AR	-XXXXXX	X	(SUB RE67113)
	RE67113	KIT	AR	XXXXXX-	X	
10	R124476	PLUG	1		X	
11	51M7045	O-RING	1		X	19.300 X 2.200 MM
12	RE46687	FITTING	1		X	
13	R77175	COVER	1		X	
14	RE12187	RECEPTACLE	1		X	
15	51M7041	O-RING	1		X	11.300 X 2.200 MM
16	RE39396	RELIEF VALVE	1		X	
17	R124456	PLUG	1		X	
18	U17409	O-RING	2		X	
19	R124457	SPRING	1		X	
20	R124458	VALVE SEAT INSERT	2		X	
21	SPOOL	1		X	(ORDER RE60891)
22	U12547	O-RING	1		X	
23	A3190R	O-RING	1		X	
24	RE60874	PLUG	1		X	
25	R124482	SPRING ASSEMBLY	1		X	
26	HOUSING	1		X	(ORDER RE60891)
27	R33259	O-RING	1		X	
28	R124454	POPPET	1		X	
29	R111238	SPRING	1		X	(SUB FOR R124455)
30	U12547	O-RING	1		X	
31	U17409	O-RING	1		X	
32	R33259	O-RING	1		X	
33	RE61120	KIT	1		X	(A)
34	R61871	O-RING	2		X	
35	F2573R	O-RING	1		X	
36	R28776	O-RING	3		X	
37	R122147	CHECK VALVE	1		X	
38	RE60933	SEAL KIT	1		X	
39	R129049	PUSH PIN	2		X	
40	R33259	O-RING	1		X	
41	SPOOL	1		X	(ORDER RE60891)
42	RE61318	VALVE	1		X	

(A) MANUAL LOWER
 ABAISSEMENT MANUEL
 HAND-ABSENKUNG
 ABBASSAMENTO MANUALE
 BAJADA MANUAL
 MANUELL SAENKNING

HITCH VALVE OVERHAUL KIT
 JEU DE REFECTION DE SOUPEPE D'ATTELAGE
 ANHAENGEVORRICHTUNGSVENTIL-UEBERHOLSATZ
 KIT DI REVISIONE DELLA VALVOLA DELL'ATTACCO
 JUEGO DE REACONDICIONAMIENTO DE LA VALVULA DE ENGANCHE
 REPARATIONSSATS FOER DRAGANORDNINGSVENTIL
 RE028266 -UN-12SEP97



RE028266

7112

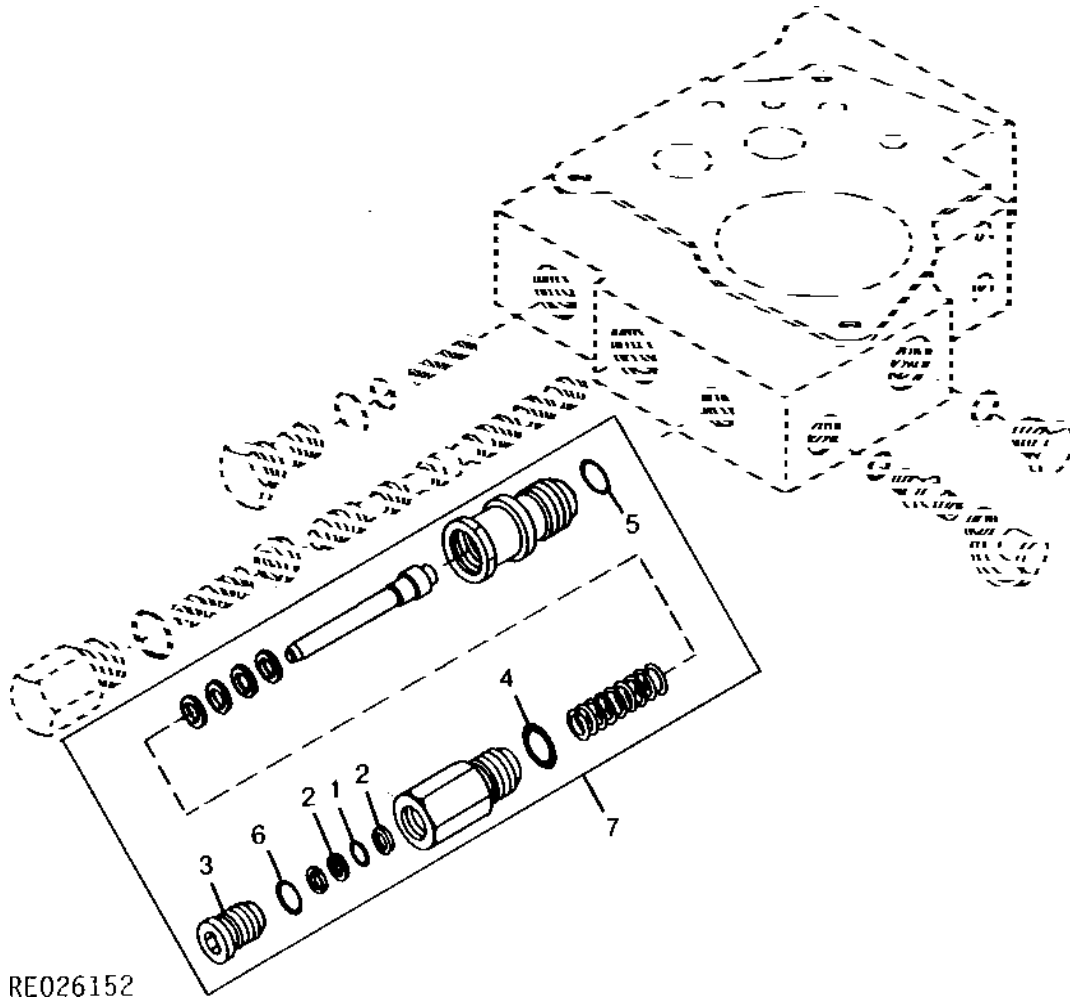
HYDRAULICS

KEY	PART NO.	PART NAME	QTY	TRACTOR SERIAL NO.	A L L	REMARKS
1	RE60891	HITCH VALVE OVERHAUL KIT	1		X	
2	RE60894	SEAL KIT	2		X	
3	R116031	O-RING	2		X	
4	RE60933	SEAL KIT	1		X	
5	F2573R	O-RING	1		X	
6	R122147	CHECK VALVE	1		X	
7	R28776	O-RING	7		X	
8	R61871	O-RING	2		X	
9	R124454	POPPET	1		X	
10	R33259	O-RING	1		X	
11	T15712	O-RING	1		X	
12	T81686	O-RING	1		X	

7113

HYDRAULICS

HITCH VALVE RELIEF VALVE
CLAPET DE DECHARGE DE DISTRIBUTERU D'ATTELAGE
REGELHYDARULIKVENTIL-UEBERDRUCKVENTIL
VALVOLA DI SICUREZZA DELLA VALVOLA DEL SOLLEVATORE
VALVULA DE ALIVIO DE VALVULA DEL ENGANCHE
SAEKERHETSVENTIL FOER LYFTVENTIL
RE026152 -UN-28MAR95



7114

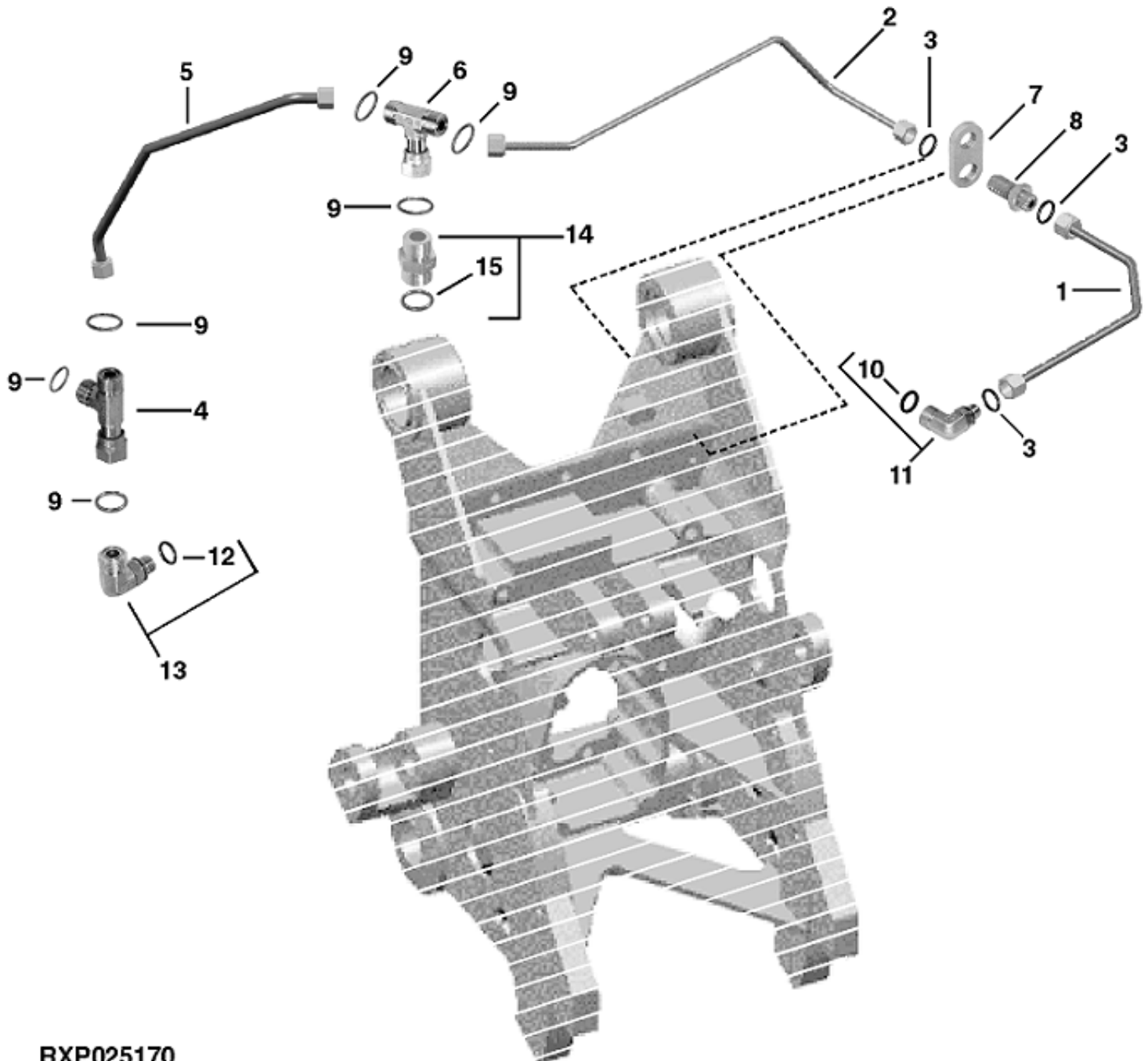
HYDRAULICS

KEY	PART NO.	PART NAME	QTY	TRACTOR SERIAL NO.	A L L	REMARKS
1	R111234	O-RING	1		X	
2	R111235	BACK-UP RING	2		X	
3	R111493	FITTING PLUG	1		X	
4	R47150	O-RING	1		X	
5	R63548	O-RING	1		X	
6	T70177	O-RING	1		X	
7	RE39396	RELIEF VALVE	1		X	

7115

HYDRAULICS

SELECTIVE CONTROL VALVE LINE
CONDUITES DE DISTRIBUTEUR SELECTIF
STEUERGERAETLETTUNGEN
TUBAZIONI PER DISTRIBUTORE SELETTIVO
TUBERIAS DE LA VALVULA DE CONTROL SELECTIVO
VAELJARVENTILLEDNINGAR
RXP025170 -UN-01JAN94



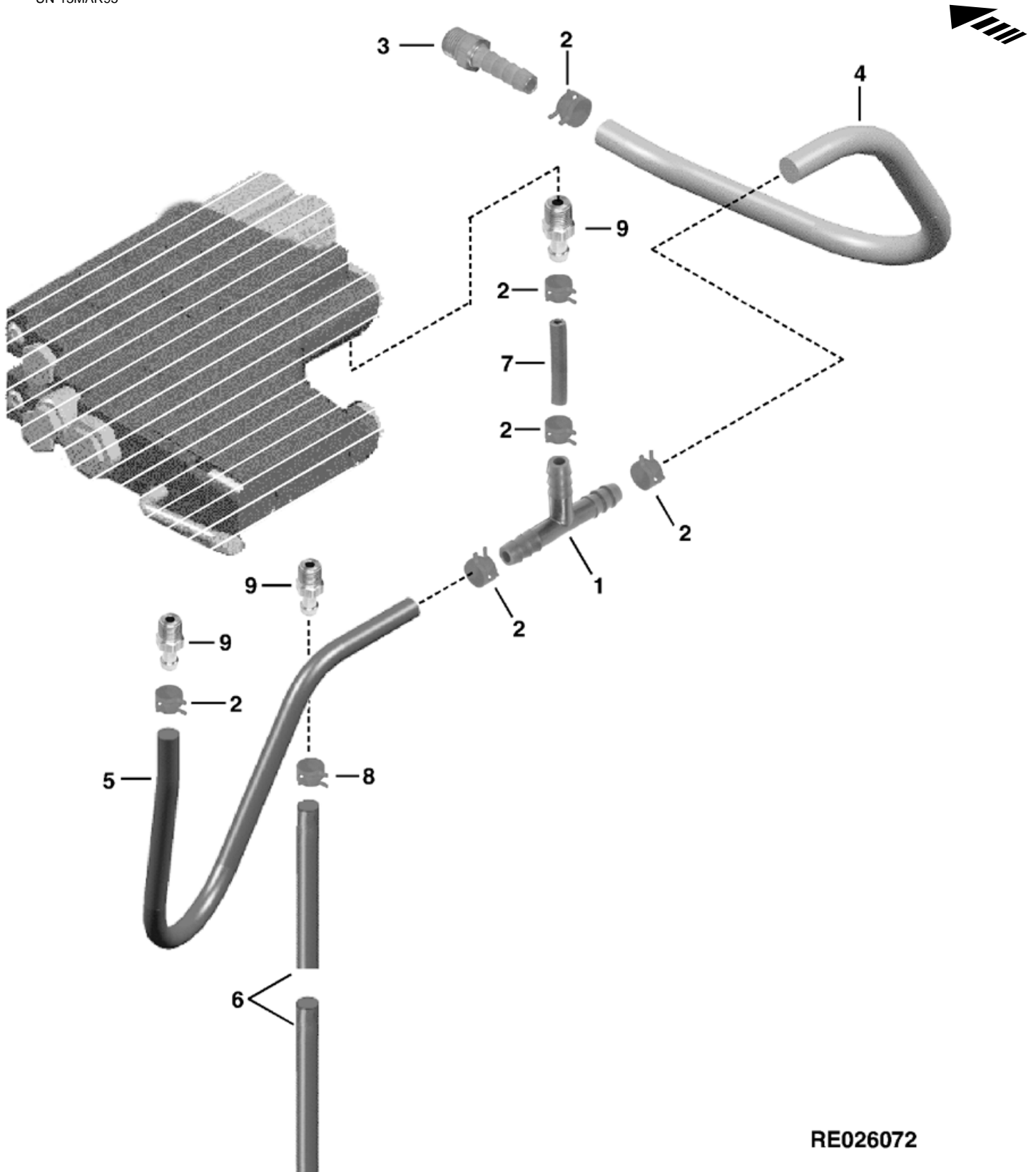
RXP025170

7116

HYDRAULICS

KEY	PART NO.	PART NAME	QTY	TRACTOR SERIAL NO.	A L L	REMARKS
1	RE56717	OIL LINE	1		X	
2	RE62508	OIL LINE	1		X	(SUB FOR RE44733)
3	T77613	O-RING	3		X	
4	38H5069	TEE FITTING	1		X	
5	RE44735	OIL LINE	1		X	
6	38H5059	TEE FITTING	1		X	
7	R125963	PLATE	1		X	
8	38H5100	UNION FITTING	1		X	
9	T77857	O-RING	6		X	
10	51M7040	O-RING	1		X	9.300 X 2.200 MM
11	38H5016	ELBOW FITTING	1		X	
12	51M7041	O-RING	1		X	11.300 X 2.200 MM
13	38H5023	ELBOW FITTING	1		X	
14	38H5003	ADAPTER	1		X	
15	51M7043	O-RING	1		X	15.300 X 2.200 MM

SELECTIVE CONTROL VALVE DRAIN LINES
 DISTRIBUTEUR SELECTIF, CONDUITE D'EVACUATION
 ZUSATZSTEUERGERAET-ABLASSLEITUNG
 DISTRIBUTORE IDRAULICO, LINEA DI DRENAGGIO
 LINEA DE VACIADO DE VALVULA DE CONTROL SELECTIVO
 SELEKTIV MANOEVERTENTIL, DRAENERINGSLEDNING
 RE026072 -UN-13MAR95



RE026072

7118

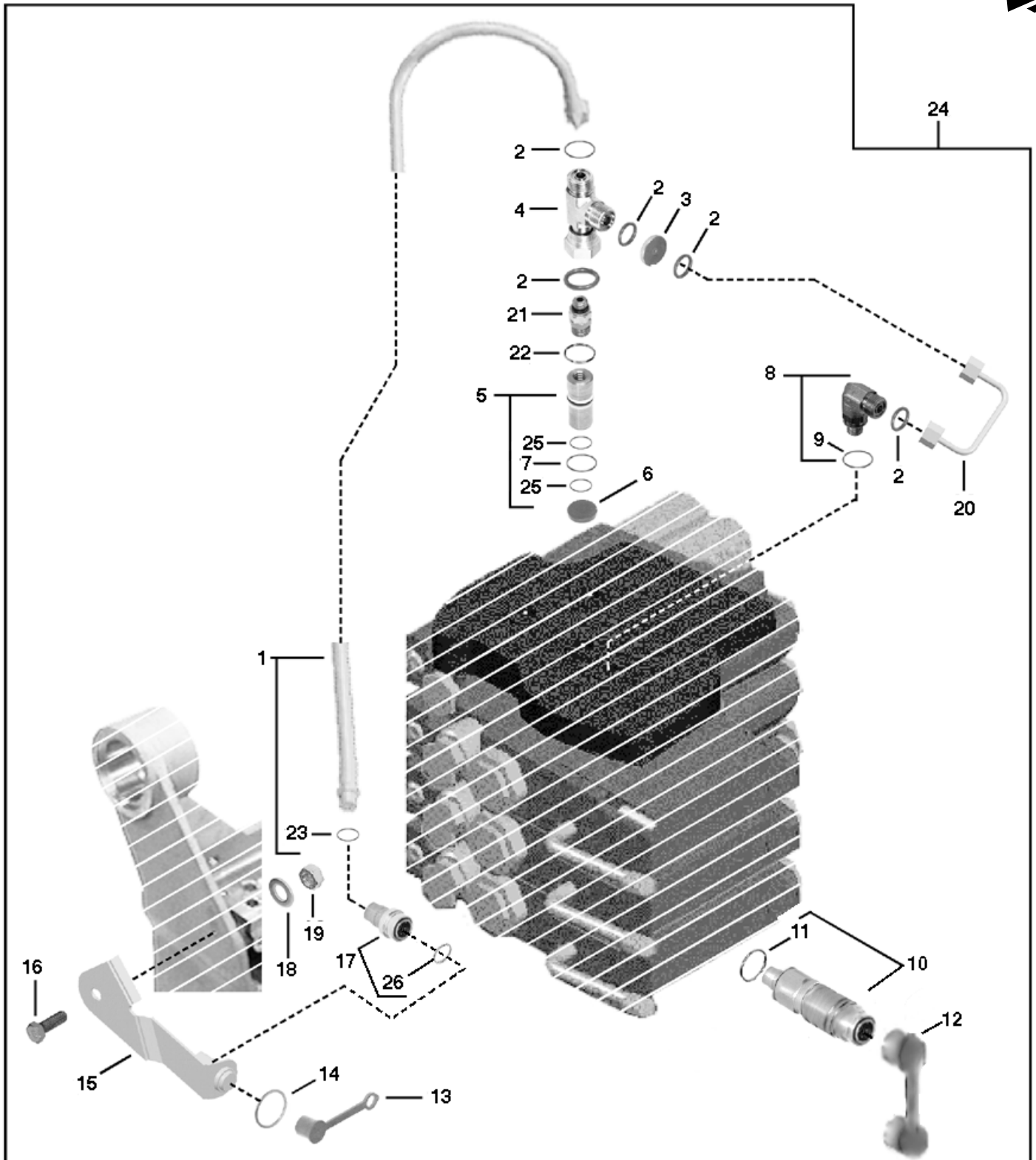
HYDRAULICS

KEY	PART NO.	PART NAME	QTY	TRACTOR SERIAL NO.	A L L	REMARKS
1	N154080	TEE FITTING	1		X	
2	TY22462	CLAMP	6		X	(SUB FOR R56101)
3	R126620	FITTING	1		X	(SUB FOR R112395)
4	HOSE	1		X	225 MM (9") (MAKE FROM T79477)
5	HOSE	1		X	370 MM (15") (MAKE FROM T79477)
6	R154668	LINE	1		X	(SUB FOR R80623)
7	HOSE	1		X	94 MM (3.7") (MAKE FROM T79477)
8	N194814	CLAMP	1		X	
9	M84313	HOSE FITTING	3		X	
..	R44302	TIE BAND	AR		X	

7119

HYDRAULICS

POWER BEYOND COUPLER KIT (W/O TRAILER BRAKE)
JEU DE RACCORD DE SORTIE POUR OUTIL (SANS FREIN DE REMARQUE HYDR.)
ANBAUGERAETANSCHLUSS-KUPPLUNGSSATZ (OHNE HYDR. ANHAENGERBREMSE)
KIT DELL'ACCOPIATORE PER L'UTENSILE (SENZA FRENO IDRAUL. RIMORCHIO)
CONJUNTO DE ACOPLADOR DE SALIDA (SIN FRENO HIDRAULREMOHQE)
KOPPLINGSSATS FOER REDSKAP (UTAN SL'PVAGNSBROMS)
RE029650 -UN-16JUN98



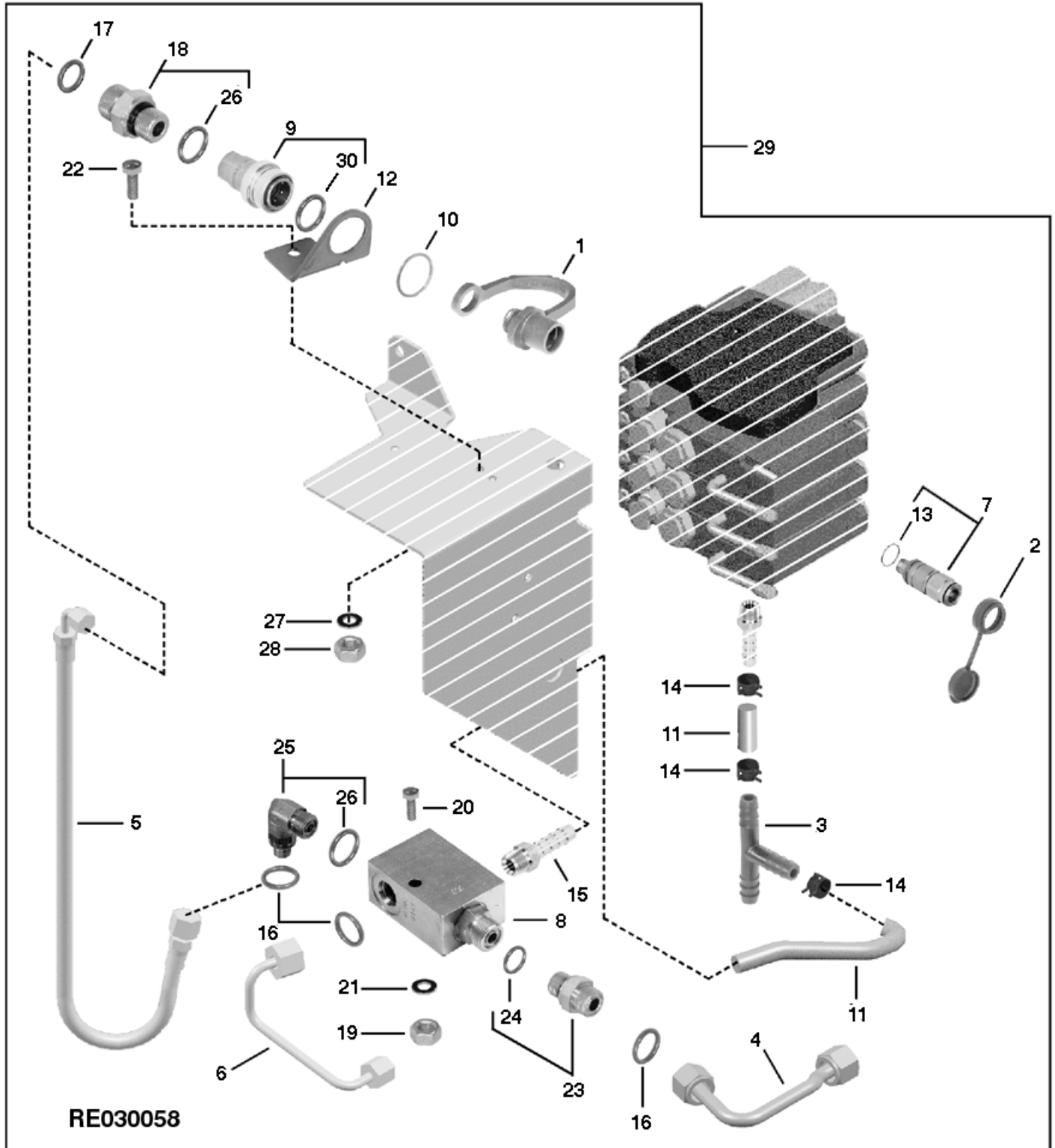
RE029650

KEY	PART NO.	PART NAME	QTY	TRACTOR SERIAL NO.	A L L	REMARKS
1	RE61323	HOSE	1		X	
2	T77613	O-RING	5		X	
3	N202662	ORIFICE	1		X	
4	38H5105	TEE FITTING	1		X	
5	RE58763	SPACER	1		X	
6	R122147	CHECK VALVE	1		X	
7	T11899	O-RING	1		X	
8	38H5016	ELBOW FITTING	1		X	
9	51M7041	O-RING	1		X	11.300 X 2.200 MM
10	RE55859	HYD. QUICK-CONNECT COUPLER	2		X	
11	51M7045	O-RING	2		X	19.300 X 2.200 MM
12	R124807	CAP	1		X	(A)
	R125531	COVER	1		X	(B)
13	AH83821	CAP	1		X	
14	R118245	SNAP RING	1		X	
15	R112397	BRACKET	1		X	
16	19M7168	CAP SCREW	1		X	M10 X 30
17	RE61319	HYD. QUICK-CONNECT COUPLER	1		X	
18	24M7040	WASHER	1		X	11 X 20 X 2 MM
19	14M7274	NUT	1		X	M10
20	RE61308	OIL LINE	1		X	
21	RE49091	FITTING	1		X	
22	51M7041	O-RING	1		X	11.300 X 2.200 MM
23	51M7041	O-RING	1		X	11.300 X 2.200 MM
24	AR112613	KIT	1		X	(FI)
25	R133794	BACK-UP RING	2		X	
26	R152879	PACKING	1		X	
..	AH15939	HYD. QUICK-CONNECT COUPLER	1		X	
..	AR94522	INTERNAL HALF COUPLER	1		X	

(A) RETURN
 RETOUR
 RUECKLAUF
 RETORNO
 RITORNO
 RETUR

(B) PRESSURE
 PRESSION
 DRUCK
 PRESSIONE
 PRESION
 TRYCK

POWER BEYOND COUPLER KIT (W/ TRAILER BRAKE) (EUROPEAN VERSION)
 JEU DE RACCORD DE SORTIE POUR OUTIL (W/ FREIN DE REMARQUE HYDR.) (VERSION EUROPEENNE)
 ANBAUGERAETANSCHLUSS-KUPPLUNGSSATZ (W/ HYDR. ANHAENGERBREMSE) (EUROPAEISCHE AUSFUEHRUNG)
 KIT DELL'ACCOPIATORE PER L'UTENSILE (W/ FRENO IDRAUL RIMORCHIO) (VERSIONE EUROPEA)
 CONJUNTO DE ACOPLADOR DE SALIDA (W/ FRENO HIDRAULREMOQUE) (VERSION EUROPEA)
 KOPPLINGSSATS FOER REDSKAP (W/ SL'PVAGNSBROMS) (EUROPEISK VERSION)
 RE030058 -UN-18SEP98

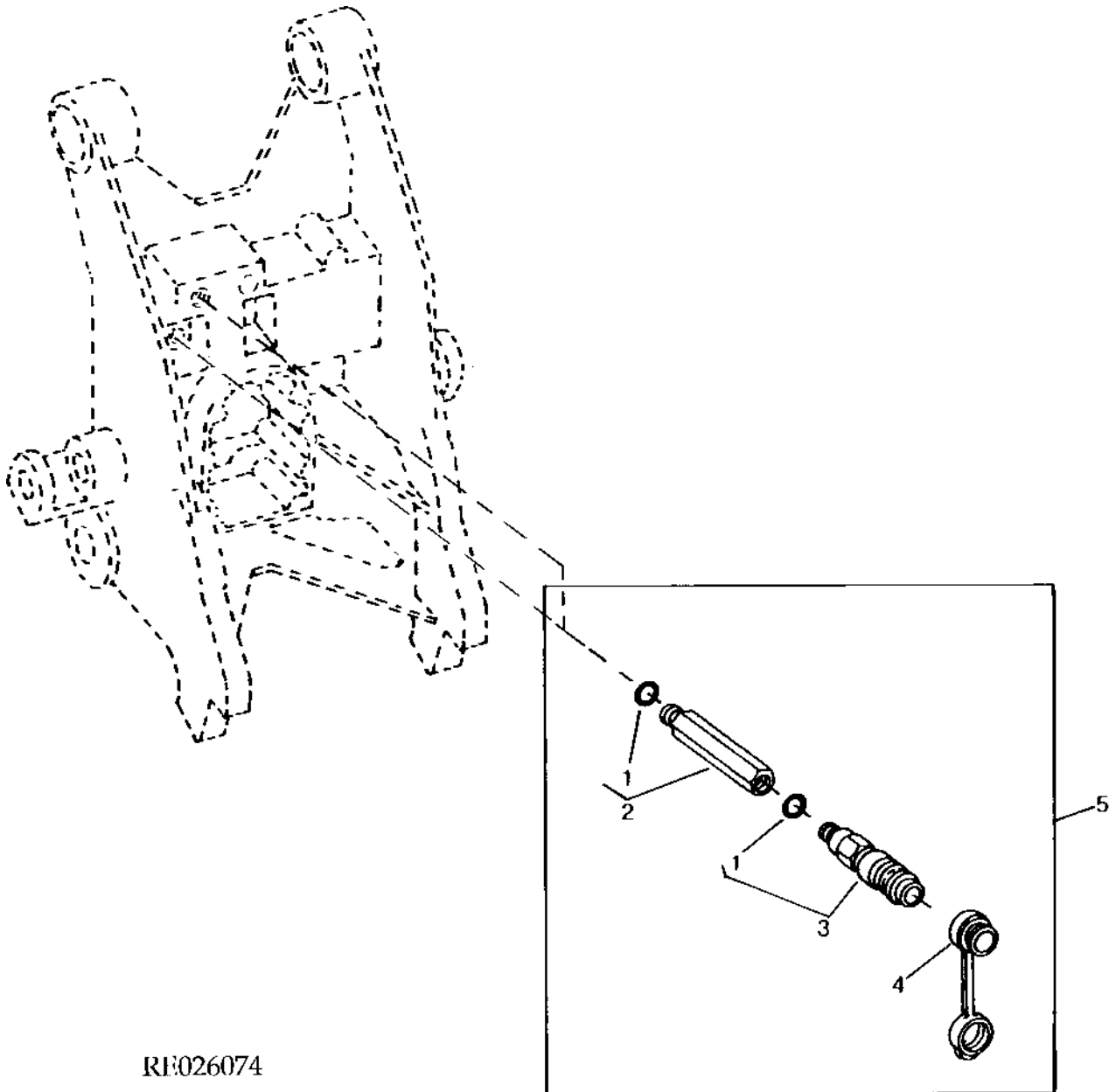


7122

HYDRAULICS

KEY	PART NO.	PART NAME	QTY	TRACTOR SERIAL NO.	A L L	REMARKS
1	AH83821	CAP	1		X	
2	R124807	CAP	2		X	
3	N154080	TEE FITTING	1		X	
4	RE44731	OIL LINE	1		X	
5	RE61340	HYDRAULIC HOSE	1		X	
6	RE48636	HYDRAULIC LINE	1		X	
7	RE55859	HYD. QUICK-CONNECT COUPLER	2		X	
8	RE55941	VALVE	1		X	
9	RE61319	HYD. QUICK-CONNECT COUPLER	1		X	
10	R118245	SNAP RING	1		X	
11	HOSE	1		X	225 MM (9") (MAKE FROM T79477) (SUB FOR R112861)
12	R117724	BRACKET	1		X	
13	51M7045	O-RING	2		X	19.300 X 2.200 MM
14	R56101	CLIP	4		X	
15	R65785	FITTING	1		X	
16	T77613	O-RING	3		X	
17	T77613	O-RING	1		X	
18	38H5002	ADAPTER	1		X	
19	14M7272	NUT	1		X	M6
20	19M8477	CAP SCREW	1		X	M6 X 40, HS 10.9
21	24M7088	WASHER	1		X	6.600 X 12 X 1.600 MM
22	19M7560	CAP SCREW	2		X	M6 X 16
23	38H5002	ADAPTER	1		X	
24	51M7041	O-RING	1		X	11.300 X 2.200 MM
25	38H5016	ELBOW FITTING	1		X	
26	51M7041	O-RING	2		X	11.300 X 2.200 MM
27	24M7088	WASHER	2		X	6.600 X 12 X 1.600 MM
28	14M7272	NUT	2		X	M6
29	RE58858	KIT	1		X	(FI)
30	R152879	PACKING	1		X	

HYDRAULIC MOTOR RETURN OR SUMP KIT
 JEU DE RETOUR OU CARTER DE MOTEUR HYDRAULIQUE
 HYDRAULIKMOTOR-RUECKLAUF-ODER-WANNENSATZ
 KIT DELLA COPPA O DEL RITORNO DEL MOTORE IDRAULICO
 JEUGO DE RETORNO O SUMIDERO DEL MOTOR HIDRAULICO
 SATS FOER HYDRAULMOTORRETUR ELLER SUMP
 RE026074 -UN-22MAR95



RE026074

7124

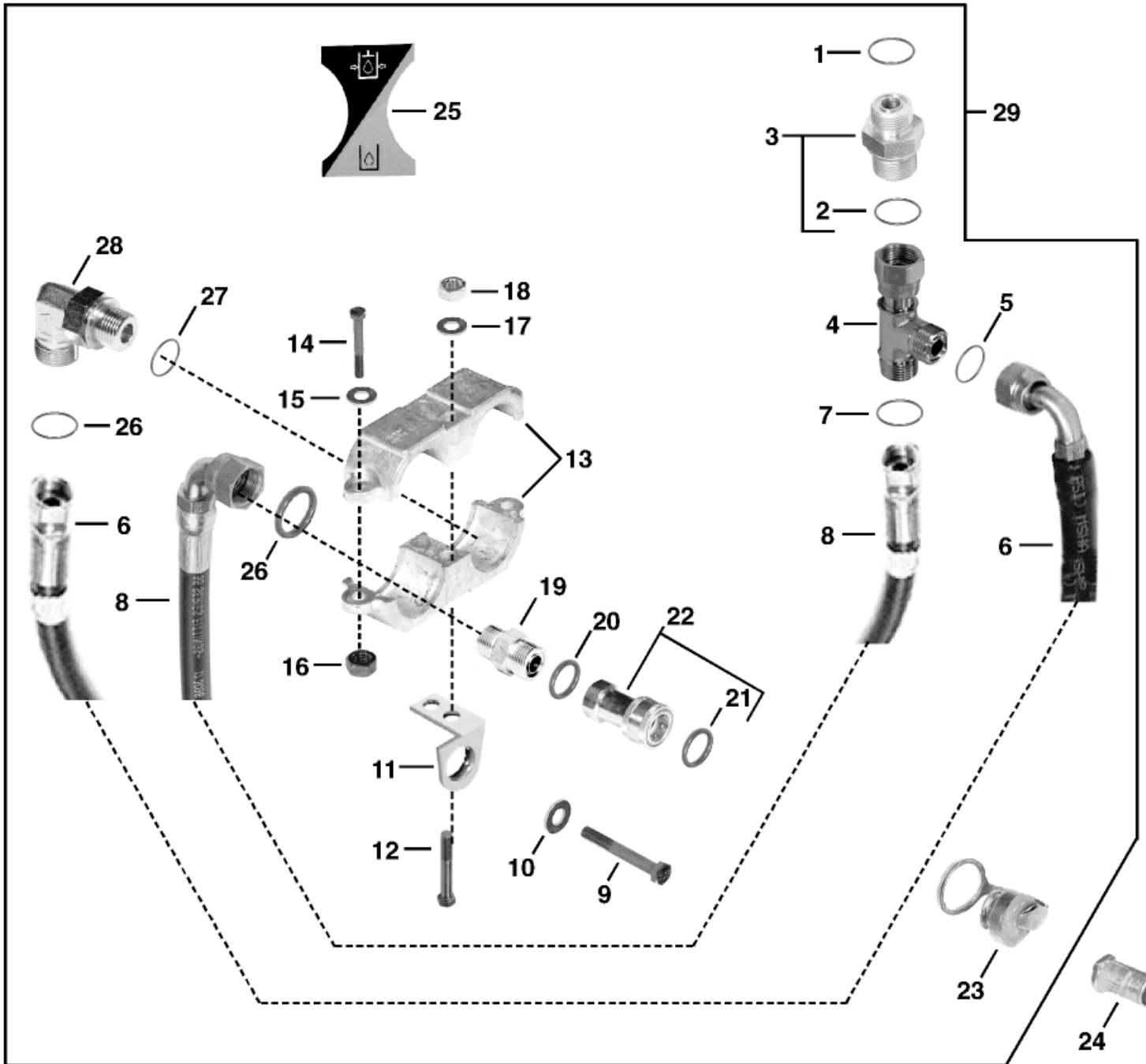
HYDRAULICS

KEY	PART NO.	PART NAME	QTY	TRACTOR SERIAL NO.	A L L	REMARKS
1	51M7045	O-RING	2		X	19.300 X 2.200 MM
2	RE61791	FITTING	1		X	
3	RE55859	HYD. QUICK-CONNECT COUPLER	1		X	
4	R124807	CAP	1		X	
5	AR114664	KIT	1		X	(FI)

7J1

HYDRAULICS

MULTIPLE HYDRAULIC MOTOR RETURN KIT
KIT DE RACCORDE DE RETOUR MULTIPLES POUR MOTEURS HYDRAULIQUE
MEHRFACH-HYDRAULIKMOTOR-RUECKLAUFSATZ
KIT DELLA LINEA DI RITORNO MULTIPLA DEL MOTORE IDRAULICO
JUEGO DE RETORNOS MULTIPLES PARA MOTOR HIDRAULICO
SATS MED FLERA RETURANSLUTNINGAR FOER HYDRAULMOTOR
RE026665 -UN-21DEC95



RE026665

7J2

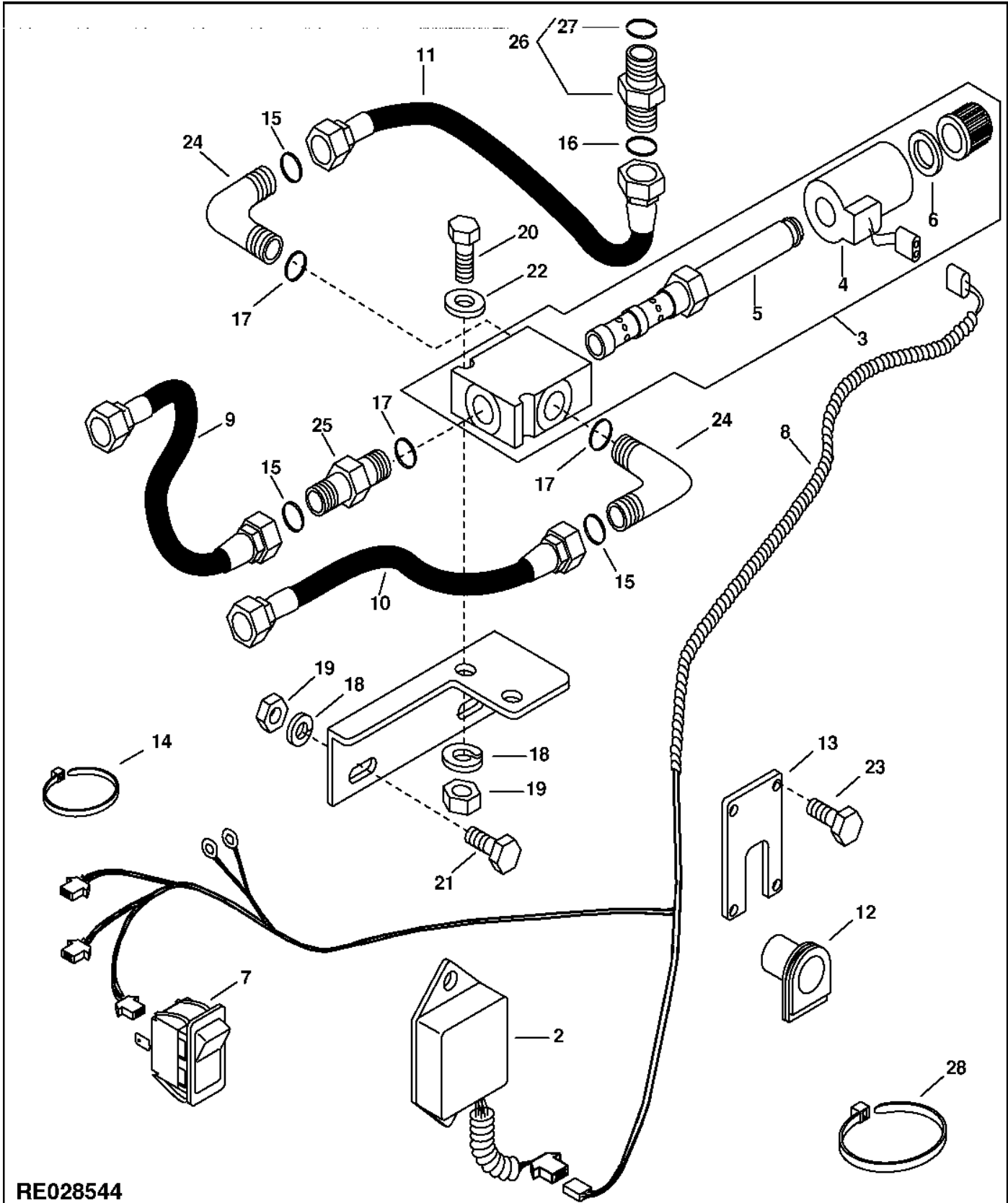
HYDRAULICS

KEY	PART NO.	PART NAME	QTY	TRACTOR SERIAL NO.	A L L	REMARKS
1	T77857	O-RING	1		X	
2	51M7045	O-RING	1		X	19.300 X 2.200 MM
3	38H5076	ADAPTER	1		X	
4	38H5069	TEE FITTING	1		X	
5	T77857	O-RING	1		X	
6	RE67181	HYDRAULIC HOSE	1		X	
7	T77857	O-RING	1		X	
8	RE67181	HYDRAULIC HOSE	1		X	
9	19M7730	CAP SCREW	1		X	M20 X 30
10	24M7051	WASHER	1		X	21 X 37 X 3 MM
11	R117724	BRACKET	1		X	
12	19M7185	CAP SCREW	2		X	M8 X 60
13	R113148	BRACKET	2		X	
14	19M7077	CAP SCREW	2		X	M6 X 20
15	24M7054	WASHER	2		X	6.400 X 12 X 1.600 MM
16	14M7272	NUT	2		X	M6
17	24M7055	WASHER	2		X	8.400 X 16 X 1.600 MM
18	14M7151	NUT	2		X	M8
19	38H1161	ADAPTER	1		X	
20	R26375	O-RING	1		X	
21	R21722	O-RING	2		X	
22	RE58243	HYD. QUICK-CONNECT COUPLER	2		X	
23	A15899	CAP	2		X	
24	AR94522	INTERNAL HALF COUPLER	2		X	ISO, 3/4" - 16UNF
25	R113305	DECAL	1		X	
26	T77857	O-RING	2		X	
27	R26375	O-RING	1		X	
28	38H1005	ELBOW FITTING	1		X	
29	RE67182	KIT	1		X	(FI)

7J3

HYDRAULICS

WAGON TILT KIT
KIT D'INCLINAISON DE CHARIOT
ANHAENGER-KIPPVORRICHTUNGSSATZ
KIT INCLINAZIONE RIMORCHIO
JUEGO DE INCLINACION DE REMOLQUE
VAGNTIPPNINGSSATS
RE028544 -UN-26NOV97



RE028544

7J4

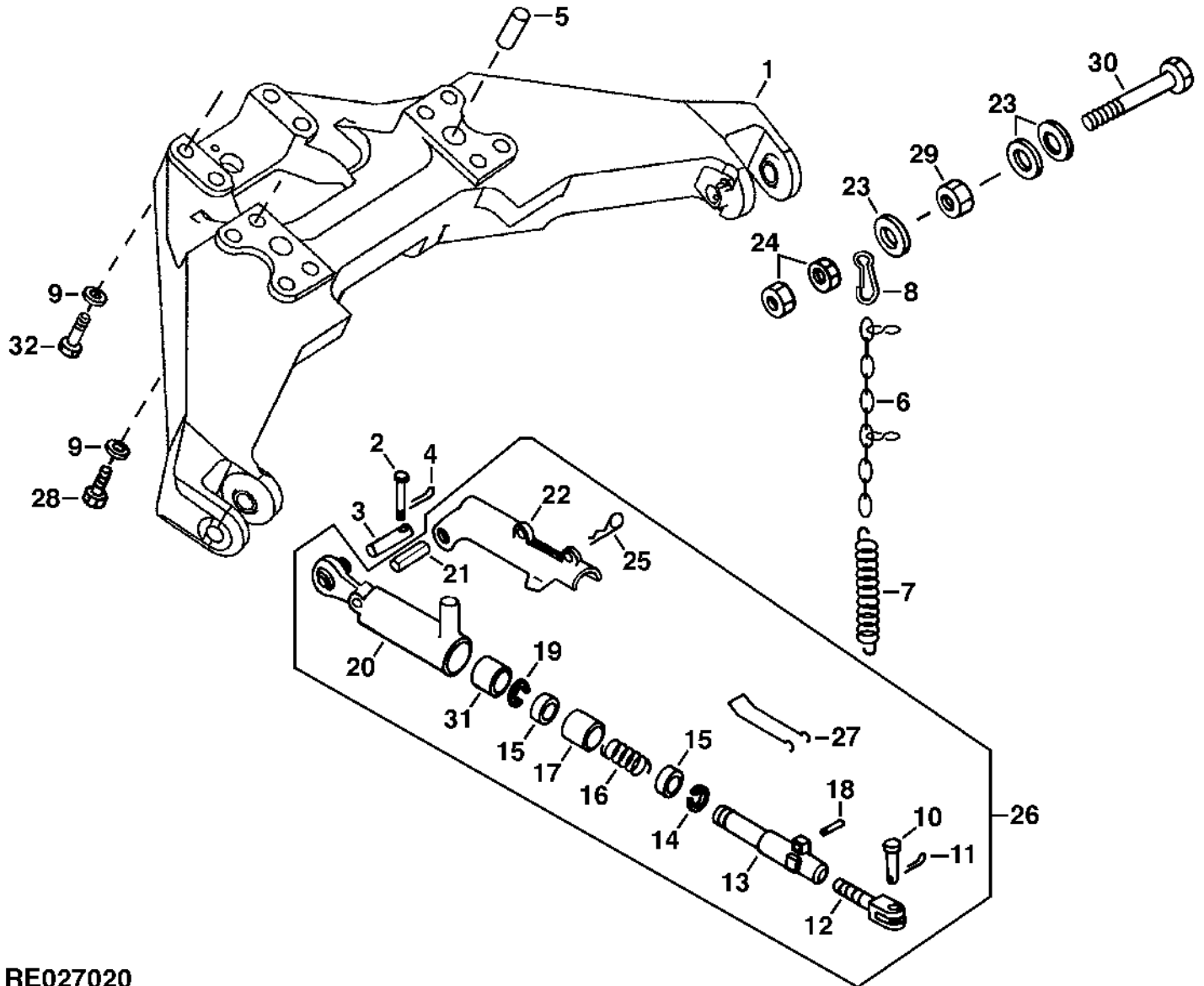
HYDRAULICS

KEY	PART NO.	PART NAME	QTY	TRACTOR SERIAL NO.	A L L	REMARKS
1	RE70488	KIT	1		X	
2	RE70004	TIMER	1		X	
3	RE70210	VALVE	1		X	
4	RE71559	ELECTRICAL COIL	1		X	
5	RE71560	RELIEF VALVE	1		X	
6	SEAL KIT	1		X	(ORDER RE71561)
7	RE70464	ROCKER SWITCH	1		X	
8	RE70555	WIRING HARNESS	1		X	
9	RE70609	HYDRAULIC LINE	1		X	
10	RE70610	HYDRAULIC LINE	1		X	
11	RE70611	HYDRAULIC LINE	1		X	
12	R112653	GROMMET	1		X	
13	R130962	PLATE	1		X	
14	R44302	TIE BAND	6		X	
15	T77858	O-RING	3		X	
16	T77932	O-RING	1		X	
17	U12547	O-RING	3		X	
18	12M7066	LOCK WASHER	4		X	10.200 MM
19	14M7274	NUT	4		X	M10
20	19M7156	CAP SCREW	2		X	M10 X 60
21	19M7662	CAP SCREW	2		X	M10 X 30, HS 10.9
22	24M7028	WASHER	2		X	10.500 X 20 X 2 MM
23	37M7162	SCREW	4		X	
24	38H1007	ELBOW FITTING	2		X	
25	38H1163	ADAPTER	1		X	
26	38H5004	ADAPTER	1		X	
27	51M7045	O-RING	1		X	19.300 X 2.200 MM
28	R76477	TIE BAND	4		X	
..	RE71561	SEAL KIT	1		X	

7J5

HYDRAULICS

HITCH STABILIZER (EUROPEAN VERSION)
STABILISATEUR D'ATTELAGE (VERSION EUROPEENNE)
ANHAENGEVORRICHTUNG-STABILISATOR (EUROPAEISCHE AUSFUEHRUNG)
STABILIZZATORE DELL'ATTACCO (VERSIONE EUROPEA)
ESTABILIZADOR DEL ENGANCHE (VERSION EUROPEA)
LYFTSTABILISATOR (EUROPEISK VERSION)
RE027020 -UN-19JUN96



RE027020

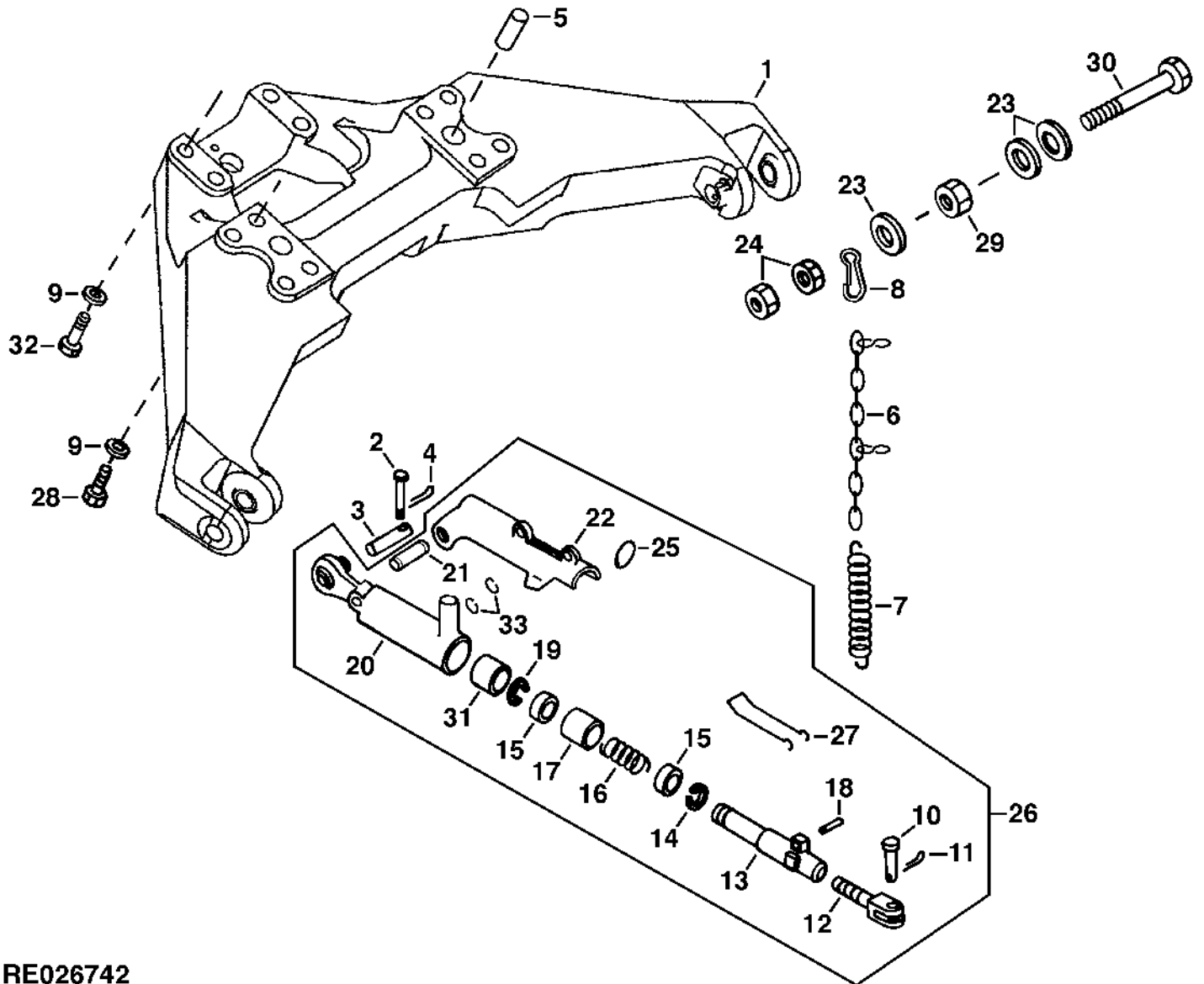
7J6

HYDRAULICS

KEY	PART NO.	PART NAME	QTY	TRACTOR SERIAL NO.	A L L	REMARKS
1	R121253	SUPPORT	1	-XXXXXX	X	(SUB R134168, R130981, (8) R51156, (4) 19M7883, (4) 24M7242 AND (2) 19M8100)
	R126616	SUPPORT	1	XXXXXX-	X	(A) (SUB R130981, R134168, (8) R51156, (4) 19M7883, (4) 24M7242)
2	R69166	PIN	2		X	
3	R121525	PIN	2		X	
4	11M7059	COTTER PIN	2		X	3.200 X 20 MM
5	T112635	PIN	2	XXXXXX-	X	
6	RE57548	LINK CHAIN	2		X	
7	L59573	EXTENSION SPRING	2		X	
8	L59572	HOOK	2		X	
9	24M7242	WASHER	12		X	21.400 X 42 X 5 MM
10	R125399	PIN	1		X	
11	11M7037	COTTER PIN	1		X	6.300 X 36 MM
12	R125397	UNIVERSAL JOINT	1		X	
13	L102193	TUBE	1		X	
14	40M7149	RING	1		X	
15	L102196	RING	2		X	
16	L102198	COMPRESSION SPRING	1		X	
17	R125398	BUSHING	1		X	
18	34M7071	SPRING PIN	1		X	
19	40M7159	SNAP RING	1		X	
20	RE63826	UNIVERSAL JOINT	1		X	(SUB FOR RE61699)
21	34M7238	SPRING PIN	1		X	20 X 85 MM
22	R125396	LATCH	1		X	
23	24M7047	WASHER	AR		X	13 X 24 X 2.500 MM
24	14M7275	NUT	4		X	M12
25	99M7080	SPRING LOCKING PIN	1		X	
26	RE48400	SUPPORT	2		X	(SUB RE63545)
27	L102199	HANDLE	1		X	
28	19M8503	CAP SCREW	8		X	M20 X 160, HS 10.9
	19M8100	CAP SCREW	2	XXXXXX-	X	M20 X 180, HS 10.9
29	14M7275	NUT	2		X	M12
30	19M7361	CAP SCREW	2		X	M12 X 50
31	L102195	BUSHING	1		X	
32	19M7963	CAP SCREW	4		X	M20 X 100, HS 10.9

(A) ILLUSTRATED
ILLUSTRE
DARGESTELLT
ILLUSTRATO
ILUSTRADO
ILLUSTRERAD

HITCH STABILIZER (EUROPEAN VERSION)
 STABILISATEUR D'ATTELAGE (VERSION EUROPEENNE)
 ANHAENGEVORRICHTUNG-STABILISATOR (EUROPAEISCHE AUSFUEHRUNG)
 STABILIZZATORE DELL'ATTACCO (VERSIONE EUROPEA)
 ESTABILIZADOR DEL ENGANCHE (VERSION EUROPEA)
 LYFTSTABILISATOR (EUROPEISK VERSION)
 RE026742 -UN-05JUN96



RE026742

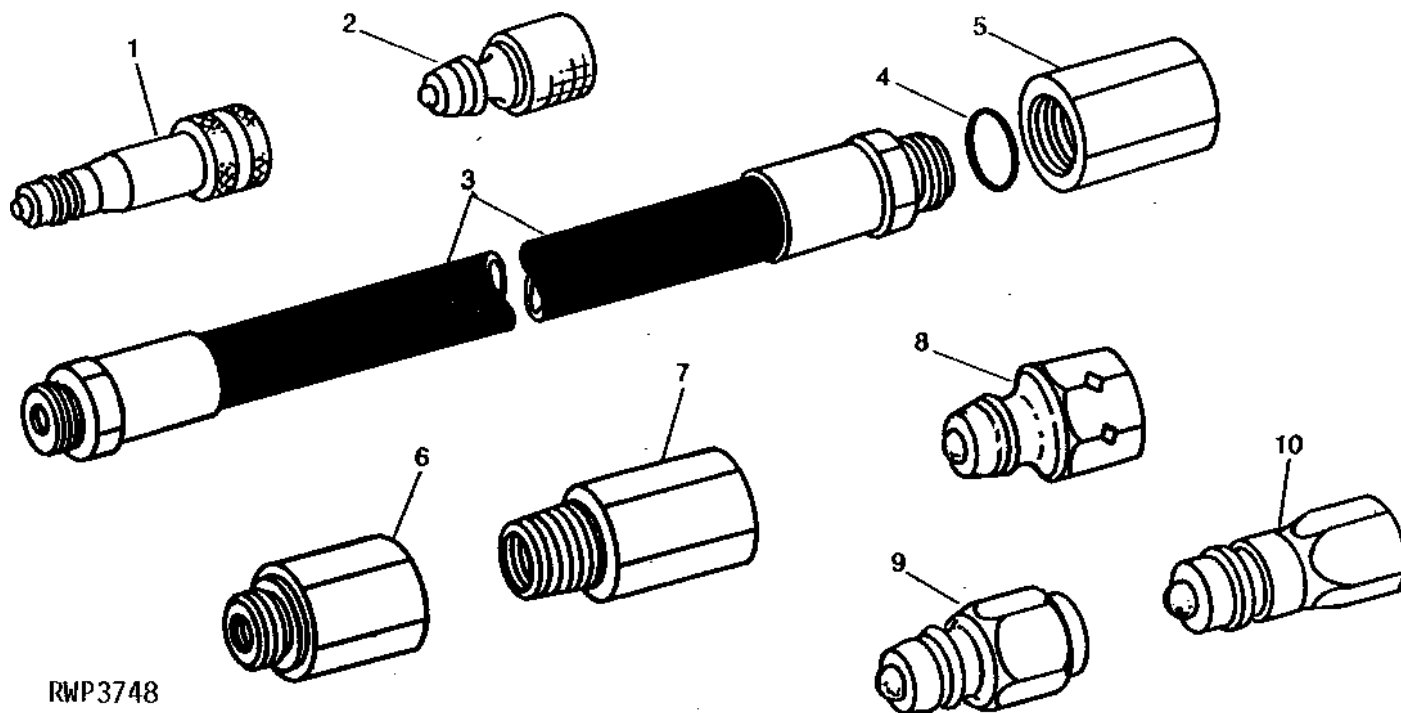
KEY	PART NO.	PART NAME	QTY	TRACTOR SERIAL NO.	A L L	REMARKS
1	R121253	SUPPORT	1	-XXXXXX	X	(SUB R134168, R130981, (4) 19M7883, (4) 24M7242, (2) 19M8100 AND (8) R51156)
	R126616	SUPPORT	1	XXXXXX-009999	X	(A) (SUB R134168, R130981, (4) 19M7883, (4) 24M7242 AND (8) R51156)
	R134168	SUPPORT	1	010000-	X	
2	R69166	PIN	2		X	
3	R121525	PIN	2		X	
4	11M7059	COTTER PIN	2		X	3.200 X 20 MM
5	T112635	PIN	2	XXXXXX-	X	
6	RE57548	LINK CHAIN	2		X	
7	L59573	EXTENSION SPRING	2		X	
8	L59572	HOOK	2		X	
9	24M7242	WASHER	12		X	21.400 X 42 X 5 MM
10	R125399	PIN	1		X	
11	11M7037	COTTER PIN	1		X	6.300 X 36 MM
12	R125397	UNIVERSAL JOINT	1		X	
13	L102193	TUBE	1		X	
14	40M7149	RING	1		X	
15	L102196	RING	2		X	
16	L102198	COMPRESSION SPRING	1		X	
17	R129727	BUSHING	1		X	(B)
	R125398	BUSHING	1		X	(C)
18	34M7071	SPRING PIN	1		X	
19	40M7159	SNAP RING	1		X	
20	RE63826	UNIVERSAL JOINT	1		X	
21	R128043	PIN	1		X	
22	R127727	CATCH	1		X	
23	24M7047	WASHER	AR		X	13 X 24 X 2.500 MM
24	14M7275	NUT	4		X	M12
25	R128093	RING	1		X	
26	RE63545	SUPPORT	2		X	
27	L102199	HANDLE	1		X	
28	19M8503	CAP SCREW	8		X	M20 X 160, HS 10.9
	19M8100	CAP SCREW	2	XXXXXX-	X	M20 X 180, HS 10.9
29	14M7275	NUT	2		X	M12
30	19M7361	CAP SCREW	2		X	M12 X 50
31	L102195	BUSHING	1		X	
32	19M7963	CAP SCREW	4	-009999	X	M20 X 100, HS 10.9
	19M7883	SCREW	4	010000-	X	M20 X 120, HS 10.9
33	40M7080	SNAP RING	2		X	

(A) ILLUSTRATED
ILLUSTRE
DARGESTELLT
ILLUSTRATO
ILUSTRADO
ILLUSTRERAD

(B) CATEGORY III
CATEGORIE III
KATEGORIE III
CATEGORIA III
CATEGORIA III
KATEGORI III

(C) UNRESTRICTED SWAY
OSCILLATION LIBRE
UNEINGESCHRAENKTES PENDELN
SPOSTAMENTO ILLIMITATO
OSCILACION NO RESTRINGIDA
OHAEMMAD PENDLING

IMPLEMENT HYDRAULIC OIL LINES AND FITTINGS
 RACCORDS ET FLEXIBLES HYDRAULIQUES
 OELLEITUNGEN UND FITTINGS FUER GERAETE
 TUBI FLESSIBILI IDRAULICI E RACCORDI PER EQUIPAGGIAMENTO
 INSTALE MANGUERAS HIDRAULICAS Y CONEXIONES
 HYDRAULOLJEL EDNINGAR OCH ANSLUTNINGAR, REDSKAP
 RWP3748 -UN-01JAN94



RWP3748

KEY	PART NO.	PART NAME	QTY	TRACTOR SERIAL NO.	A L L REMARKS
1	AR98202	HYD. QUICK-CONNECT COUPLER	1		X JOHN DEERE/ISO (W/ R21722)
	R21722	O-RING	1		X
	RE11457	ADAPTER	1		X IHC/ISO (W/ U11647)
2	U11647	O-RING	1		X
	AR98201	HYD. QUICK-CONNECT COUPLER	1		X ISO/JOHN DEERE (W/ R21722 / R71387)
	RE11456	ADAPTER	1		X IHC/JOHN DEERE
	RE11458	ADAPTER	1		X JOHN DEERE/IHC (W/ R21722)
	RE11463	ADAPTER	1		X ISO/IHC (W/ R21722)
	R21722	O-RING	1		X
3	R71387	WASHER	1		X
	TY3018	HYDRAULIC HOSE	1		X 10 X 610 MM (3/8" X 24")
	TY3019	HYDRAULIC HOSE	1		X 10 X 914 MM (3/9" X 36") (SUB FOR AR28755)
	R36658	HYDRAULIC HOSE - FABRICATE	1		X 13 X 610 MM (1/2" X 24")
4	R36659	HYDRAULIC HOSE - FABRICATE	1		X 13 X 914 MM (1/2" X 36")
	R26375	O-RING	1		X
5	R30815	FITTING	1		X (A) 19.05 MM (3/4")
6	R30817	ADAPTER	1		X 3/4"-16UNF (B) X 1/2"-14NPT (C)
7	R30816	ADAPTER	1		X 1/2"-14NPT (B) X 3/4"-UNF (C)
8	AR93820	FITTING	1		X JOHN DEERE, 3/4"-16 UNF
9	RE11447	FITTING	1		X (B) JOHN DEERE, 1/2"-14 NPT
10	AR94522	INTERNAL HALF COUPLER	1		X (B) ISO, 3/4"-16 UNF
	C14618	INTERNAL HALF COUPLER	1		X (B) ISO, 1/2"-14 NPSF

(A) THREAD
 PAS DE VIS
 GEWINDE
 FILO
 ROSCA
 GAENGA

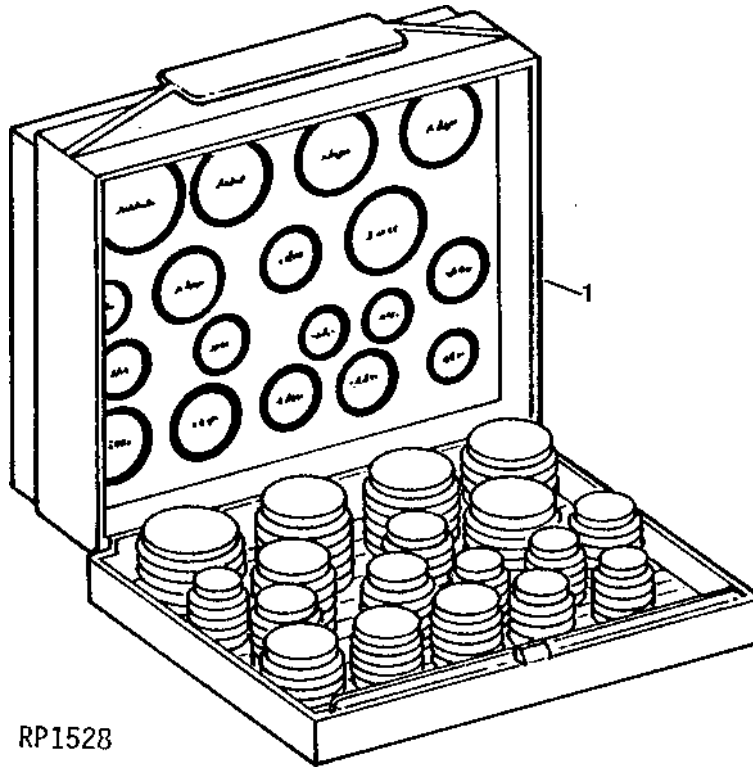
(B) MALE
 MALE
 AUSSERGEWINDE
 MASCHIO
 MACHO
 HANKONTAKT

(C) FEMALE
 FEMELLE
 INNENGEWINDE
 FEMMINA
 HEMBRA
 HONKONTAKT

7J10

HYDRAULICS

O-RING KIT
 JEU DE PIECES DE JOINT TORIQUE
 O-RINGSATZ
 SERIE PEZZI ANELLI O-R
 JUEGO DE ANILLO TORICO
 O-RINGSATS
 RP1528 -UN-01JAN94



RP1528

KEY	PART NO.	PART NAME	QTY	TRACTOR SERIAL NO.	A	
					L	REMARKS
1	AR73500	KIT	1		X	(A)
2	TY15939	O-RING KIT	1		X	(B)
3	AT85197	O-RING KIT	1		X	(C)

(A) HYDRAULIC
 SYSTEMES HYDRAULIQUES
 HYDRAULISCHE ANLAGE
 IDRAULICI
 HIDRAULICO
 HYDRAUL

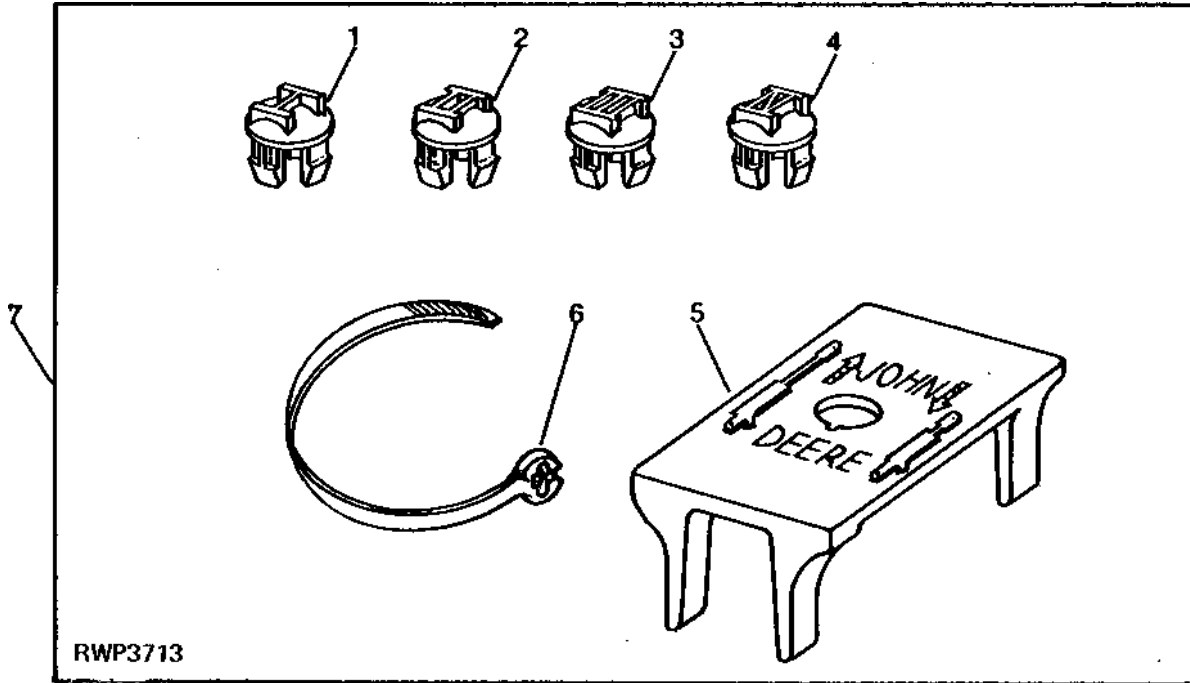
(B) AIR CONDITIONING
 JOINT TORIQUE D'AIR CONDITIONNE
 O-RING FUER KLIMAAANLAGE
 ANELLO DI GUARNIZIONE ARIA CONDIZIONATA
 ANILLO TORICA PARA ACONDICIONADOR DE
 LUFTKONDITIONERING O-RING

(C) FLAT FACE
 FACE PLATE
 FLACHE STIRNFLAECHE
 SUPERFICIE PIATTA
 CARA PLANA
 PLAN YTA

7J11

HYDRAULICS

HOSE IDENTIFICATION KIT
 KIT D'IDENTIFICATION DE FLEXIBLES
 SCHLAUCHKENNSATZ
 KIT DI IDENTIFICAZIONE TUBO FLESSIBILE
 JUEGO DE IDENTIFICACION DE MANGUERAS
 SLANGIDENTIFIERINGSSATS
 RWP3713 -UN-01JAN94



KEY	PART NO.	PART NAME	QTY	TRACTOR SERIAL NO.	A	REMARKS
					L	
1	R74242	PLUG	1		X	
2	R74243	PLUG	1		X	
3	R74244	PLUG	1		X	
4	R74246	PLUG	1		X	
5	R76459	TAG	1		X	
6	R76477	TIE BAND	2		X	
7	AR103808	KIT	1		X	

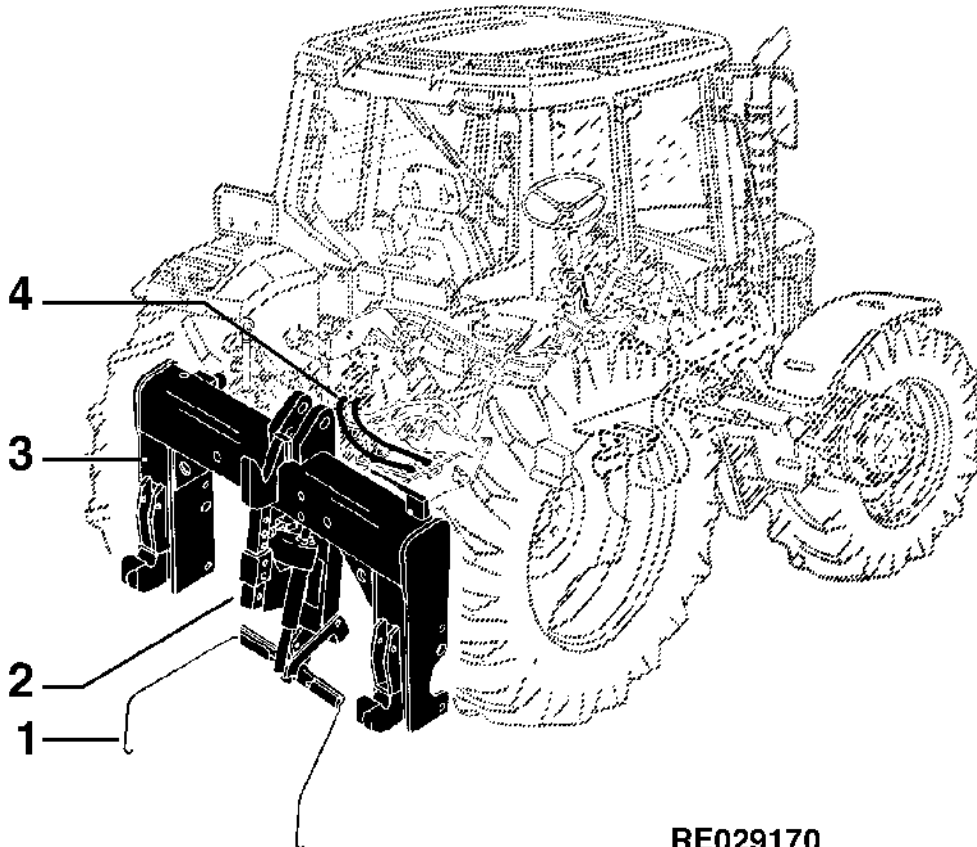
8D2

ROW-TRAK

SECTIONAL INDEX
INDEX DE SECTION
GRUPPENINDEX
INDICE DELLA SEZIONE
INDICE DE SECCION
GRUPPSFORTECKNING

RE029170 -UN-10MAY99

1 -	8D6
2 -	8D12
3 -	8D14
4 -	8D18



RE029170

8D3

ROW-TRAK

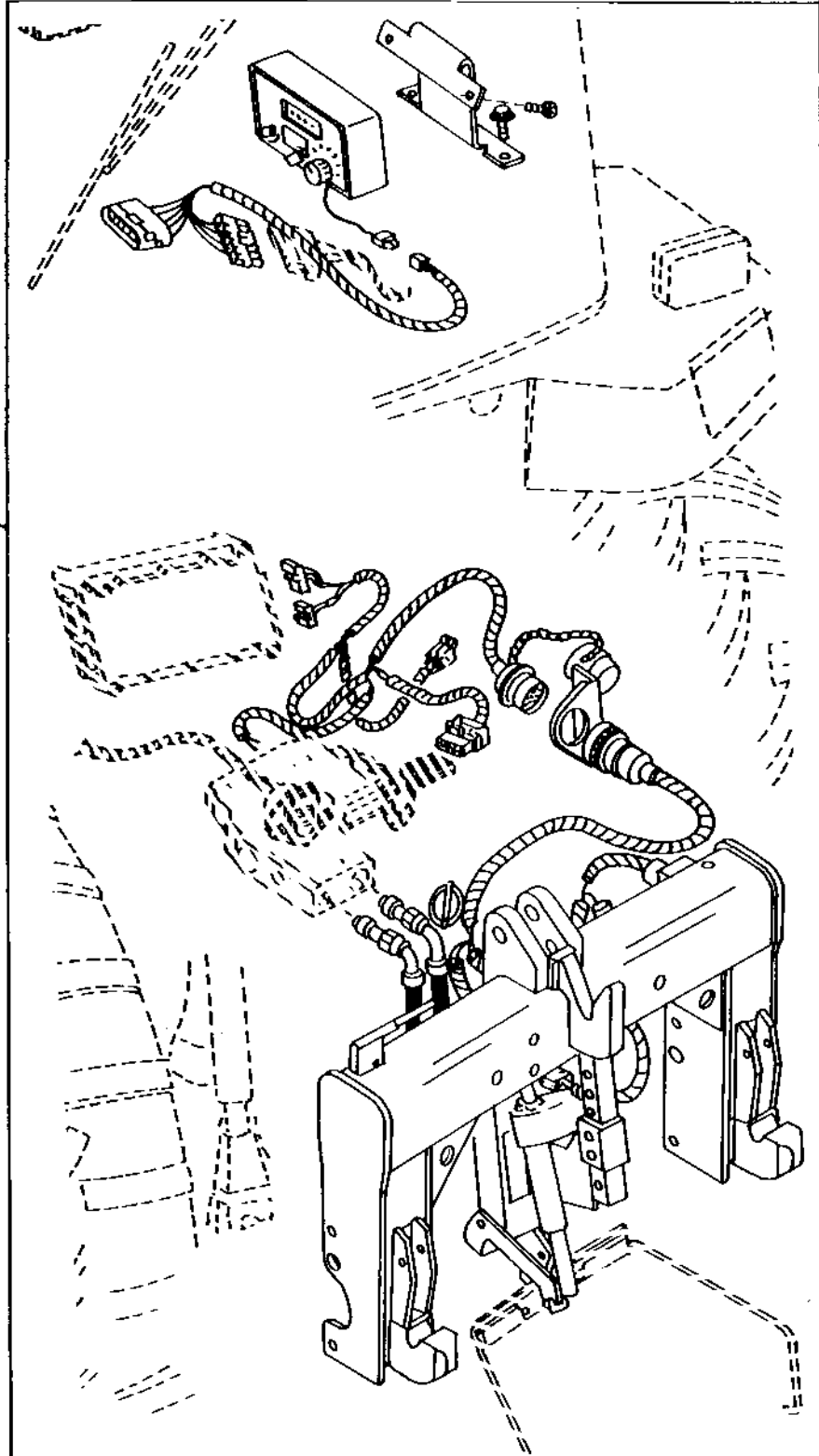
SECTIONAL INDEX
INDEX DE SECTION
GRUPPENINDEX
INDICE DELLA SEZIONE
INDICE DE SECCION
GRUPPSFORTECKNING

MEMORANDA
MEMORANDA
MEMORANDA
MEMORANDA
MEMORANDA

8D4

ROW-TRAK

ROW-TRAK KIT
JEU DE ROW-TRAK
ROW-TRAK SATZ
KIT DEL ROW-TRAK
JUEGO DE ROW-TRAK
SATS MED ROW-TRAK
RE026123 -UN-04MAR95



RE026123

8D5

KEY	PART NO.	PART NAME	QTY	TRACTOR SERIAL NO.	A L L	REMARKS
1	AR114631	KIT	1		X	(A) (NLA)
	AR114633	KIT	1		X	(B) (NLA)

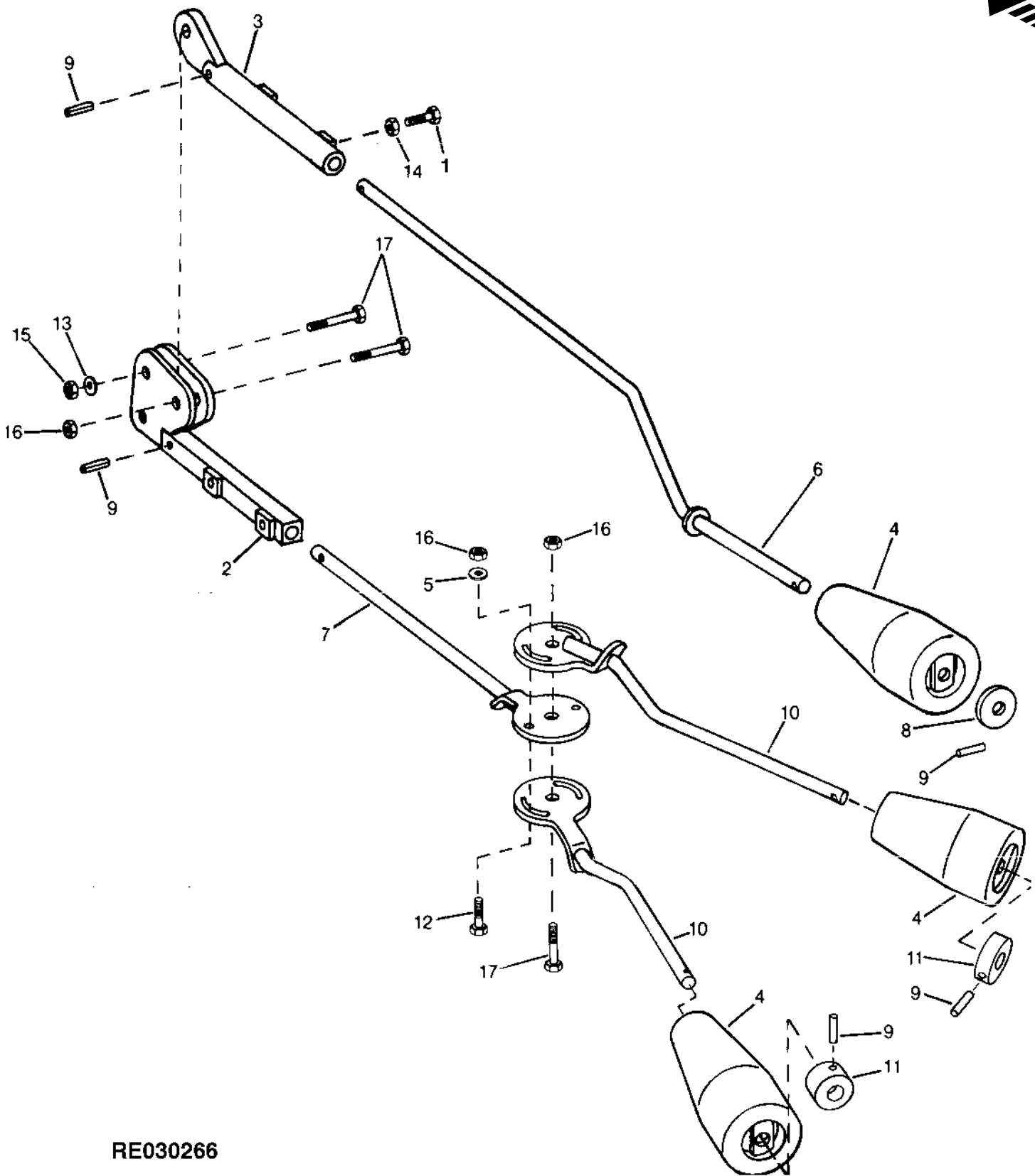
(A) CATEGORY III
CATEGORIE III
KATEGORIE III
CATEGORIA III
CATEGORIA III
KATEGORI III

(B) CATEGORY IIIIN
CATEGORIE IIIIN
KATEGORIE IIIIN
CATEGORIA IIIIN
CATEGORIA IIIIN
KATEGORI IIIIN

8D6

ROW-TRAK

ROW-TRAK 3 BALL PROBE KIT
JEU DE SONDE A 3 BILLES ROW-TRAK
ROW-TRAK 3 KUGELSONDENSATZ
KIT DELLA SONDA A DOPPIA SFERA ROW-TRAK
JUEGO DE SONDA (3 BOLAS) ROW-TRAK
SATS MED SOND (3 KULOR) FOER ROW-TRAK
RE030266 -UN-18DEC98



RE030266

8D7

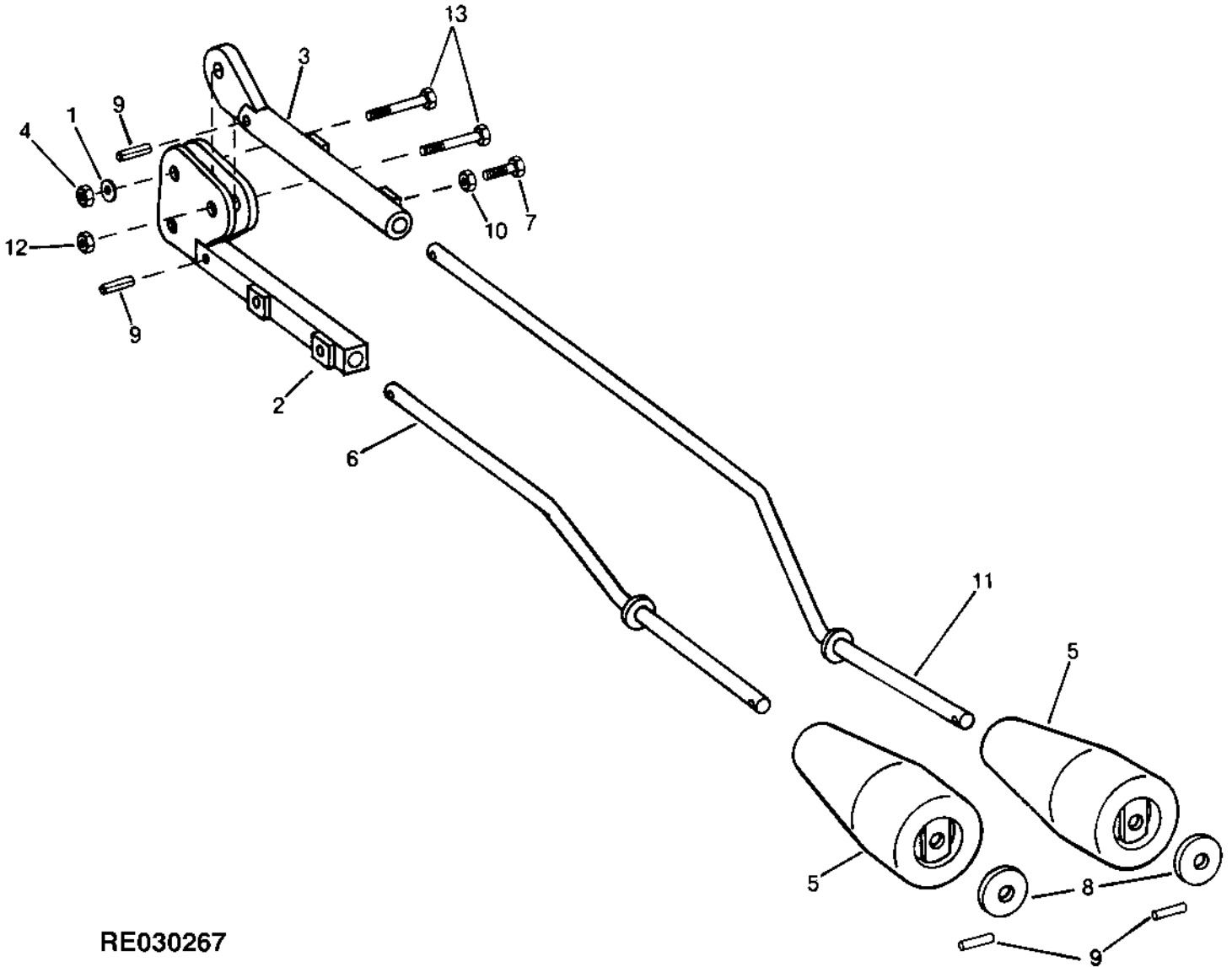
ROW-TRAK

KEY	PART NO.	PART NAME	QTY	TRACTOR SERIAL NO.	A L L	REMARKS
1	22H818	SET SCREW	4		X	5/16" X 3/4"
2	RE62952	MOUNTING PARTS	1		X	
3	RE62954	GRIP	1		X	
4	RE62956	BALL	3		X	
5	24M7028	WASHER	2		X	10.500 X 20 X 2 MM
6	RE62959	ROD	1		X	
7	RE62960	ROD	1		X	
8	24H1338	WASHER	1		X	33/64" X 7/8" X 0.048"
9	34H282	SPRING PIN	5		X	3/16" X 1"
10	RE62961	ROD	2		X	
11	R126891	STOP	2		X	
12	03M7194	BOLT	2		X	M10 X 40
13	12M7033	LOCK WASHER	2		X	10.500 MM
14	14H611	NUT	4		X	5/16"
15	14M7274	NUT	2		X	M10
16	14M7517	LOCK NUT	4		X	M10
17	19M8637	CAP SCREW	4		X	M10 X 40

8D8

ROW-TRAK

ROW-TRAK 2 BALL PROBE KIT
JEU DE SONDE A 2 BILLES ROW-TRAK
ROW-TRAK 2 KUGELSONDENSATZ
KIT DELLA SONDA A DOPPIA SFERA ROW-TRAK
JUEGO DE SONDA (2 BOLAS) ROW-TRAK
SATS MED SOND (2 KULOR) FOER ROW-TRAK
RE030267 -UN-27JAN99



RE030267

8D9

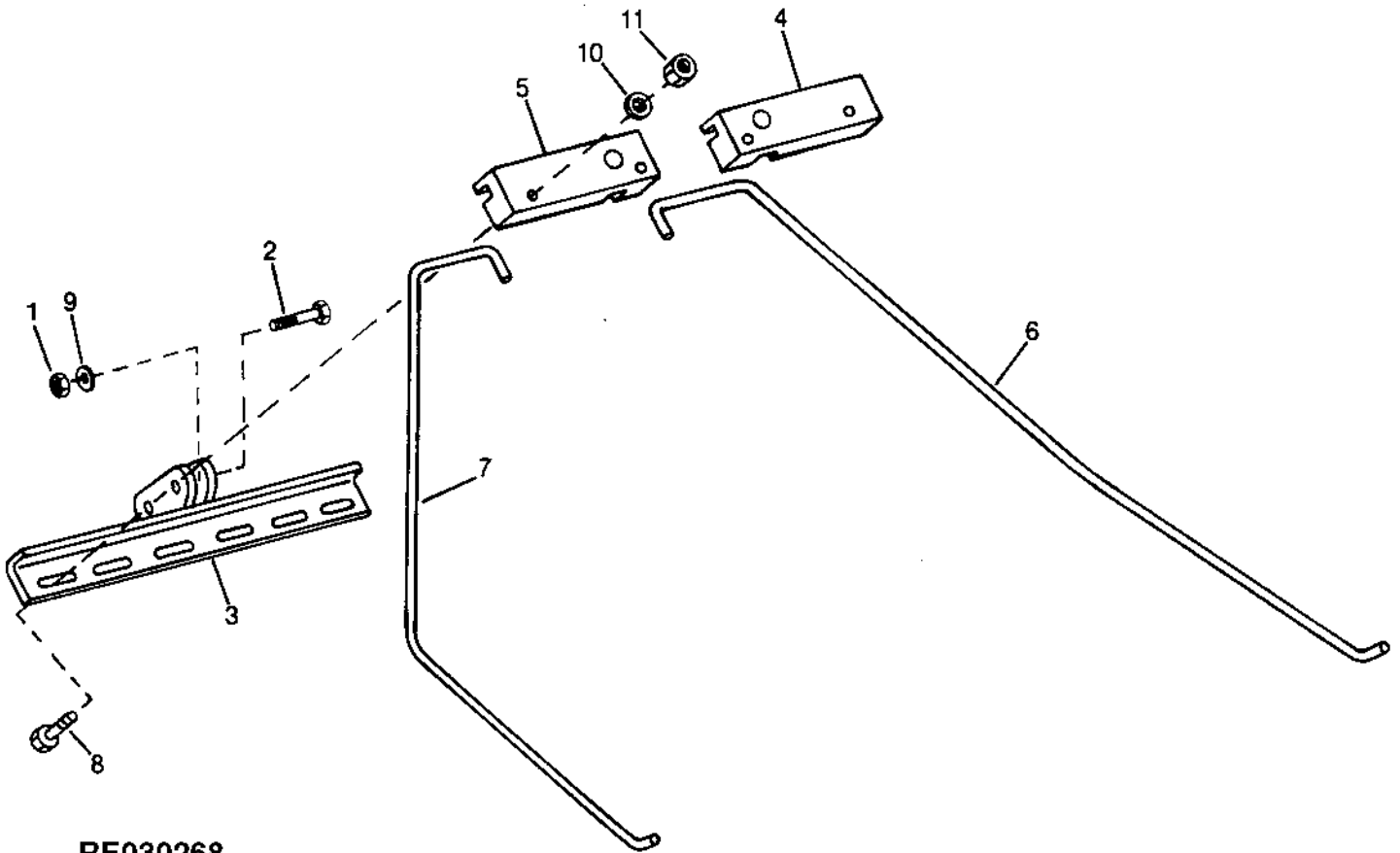
ROW-TRAK

KEY	PART NO.	PART NAME	QTY	TRACTOR SERIAL NO.	A L L	REMARKS
1	12M7033	LOCK WASHER	2		X	10.500 MM
2	RE62952	MOUNTING PARTS	1		X	
3	RE62954	GRIP	1		X	
4	14M7274	NUT	2		X	M10
5	RE62956	BALL	2		X	
6	RE62957	ROD	1		X	
7	22H818	SET SCREW	4		X	5/16" X 3/4"
8	24H1338	WASHER	2		X	33/64" X 7/8" X 0.048"
9	34H282	SPRING PIN	2		X	3/16" X 1"
10	14H611	NUT	4		X	5/16"
11	RE62959	ROD	1		X	
12	14M7517	LOCK NUT	1		X	M10
13	19M8637	CAP SCREW	3		X	M10 X 40

8D10

ROW-TRAK

ROW-TRAK WAND PROBE KIT
JEU DE SONDE A PLONGEUR ROW-TRAK
ROW-TRAK STABSONDENSATZ
KIT DELLA SONDA A BACCHETTA ROW-TRAK
JUEGO DE SONDA (VARILLA) ROW-TRAK
SATS MED SOND (STAV) FOER ROW-TRAK
RE030268 -UN-27JAN99



8D11

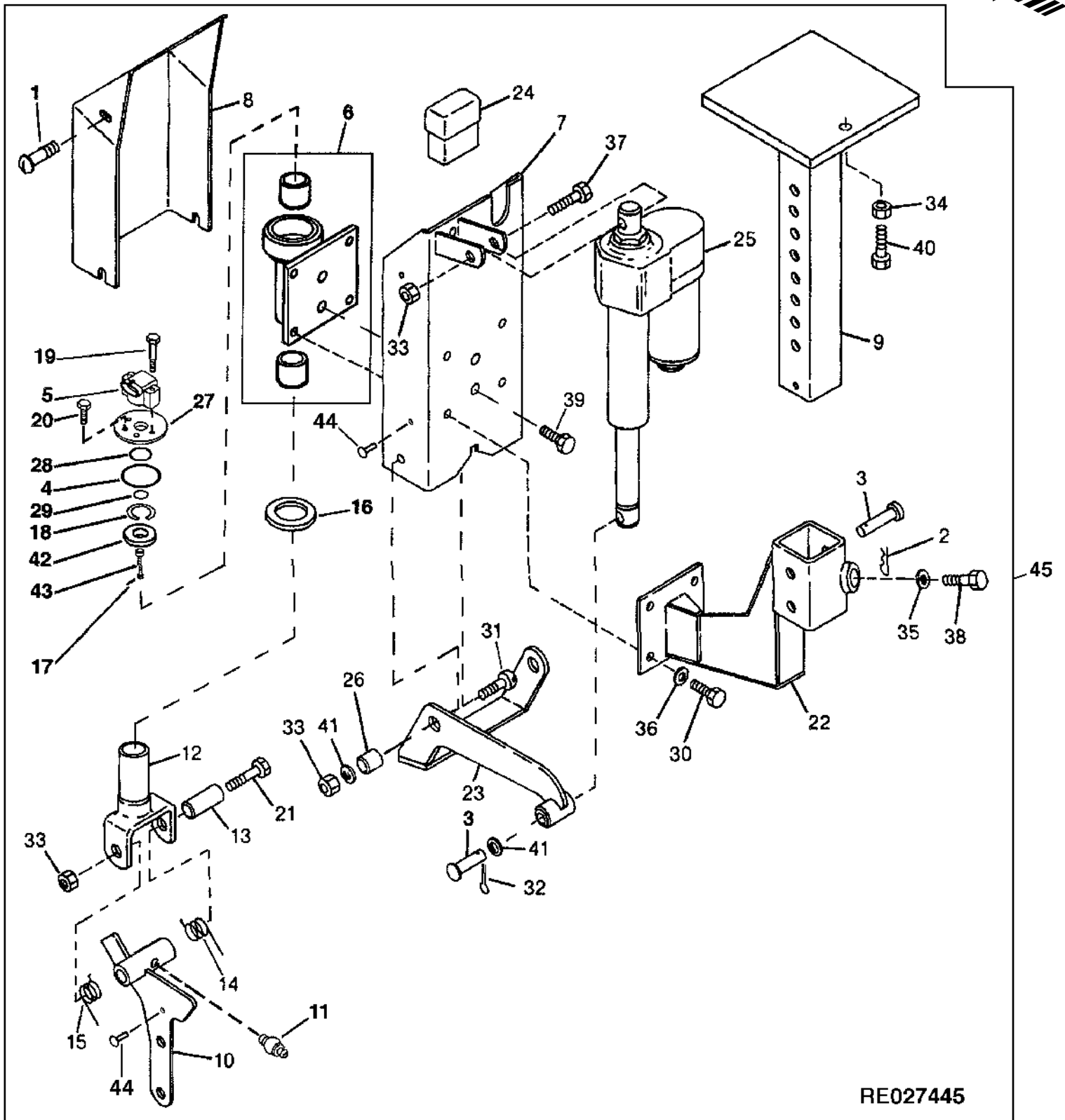
ROW-TRAK

KEY	PART NO.	PART NAME	QTY	TRACTOR SERIAL NO.	A L L	REMARKS
1	14M7274	NUT	2		X	M10
2	19M7550	CAP SCREW	2		X	M10 X 35
3	RE62951	ROD	1		X	
4	R126868	BLOCK CLAMP	1		X	
5	R126870	BLOCK CLAMP	1		X	
6	R126873	ROD	1		X	
7	R126874	ROD	1		X	
8	19M7933	CAP SCREW	4		X	M6 X 25
9	12M7033	LOCK WASHER	2		X	10.500 MM
10	12M7081	LOCK WASHER	4		X	6.400 MM
11	14M7272	NUT	4		X	M6

8D12

ROW-TRAK

ROW-TRAK PROBE BOX
JEU DE BOITIER DE CAPTEUR ROW-TRAK
ROW-TRAK-SONDENKASTENSATZ
KIT DELLA SCATOLA DELLA Sonda ROW-TRAK
JUEGO DE CAJA DE Sonda DE ROW-TRAK
SATS MED SONDERINGSBOX FOER ROW-TRAK
RE027445 -UN-13NOV96



RE027445

8D13

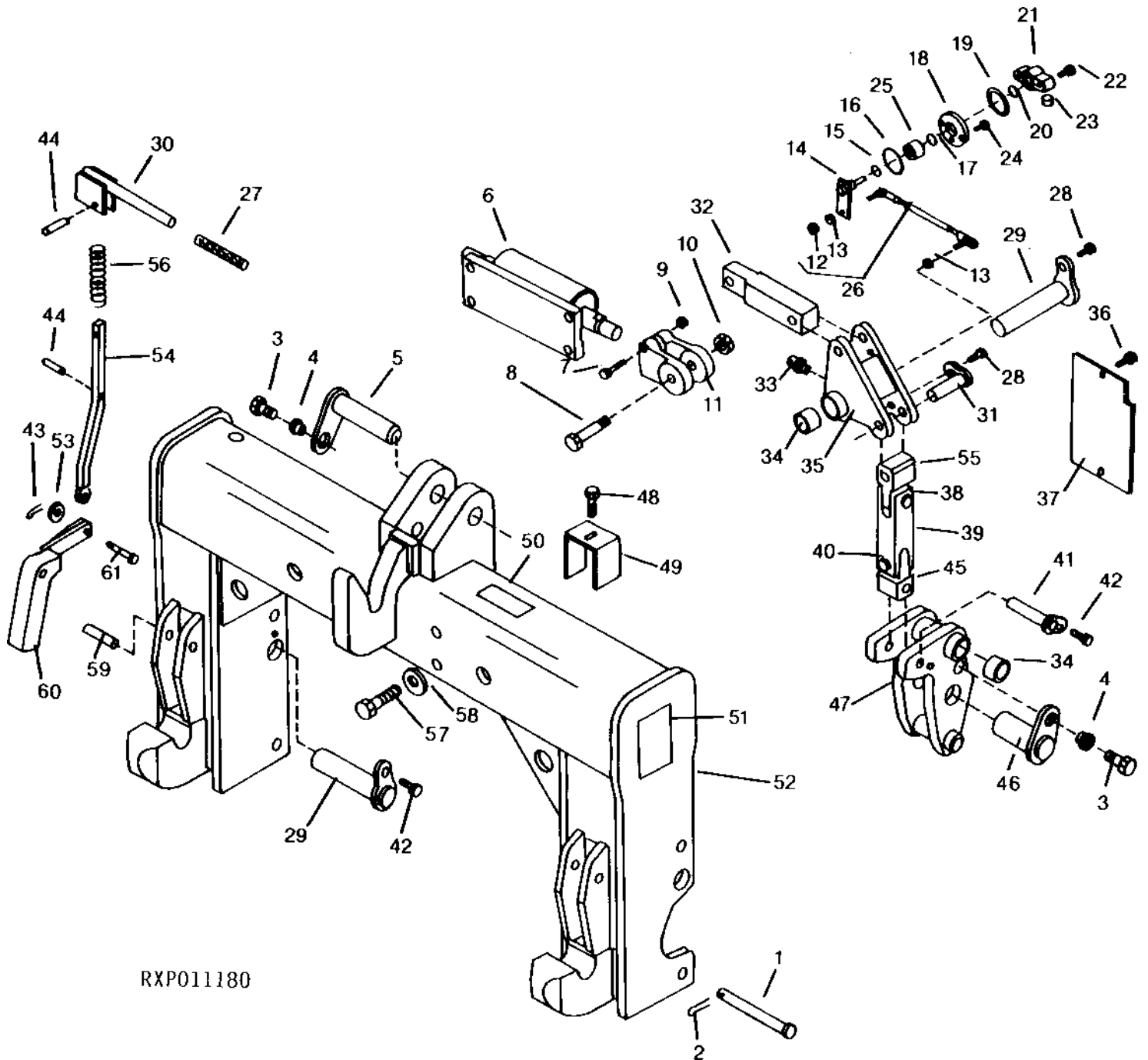
ROW-TRAK

KEY	PART NO.	PART NAME	QTY	TRACTOR SERIAL NO.	A L L	REMARKS
1	37M7089	SCREW	2		X	M6 X 12
2	A15147	SPRING LOCKING PIN	1		X	
3	M90097	PIN	2		X	
4	N260556	O-RING	1		X	
5	RE53380	SENSOR	1		X	
6	RE63801	HOUSING	1		X	
7	RE62816	BRACKET	1		X	
8	R126721	COVER	1		X	
9	RE62817	SUPPORT	1		X	
10	RE62823	SUPPORT	1		X	
11	JD7797	LUBRICATION FITTING	2		X	
12	RE62827	SENSOR	1		X	
13	R126747	BUSHING	1		X	
14	R126927	SPRING	1		X	
15	R126928	SPRING	1		X	
16	R127172	BEARING	1		X	
17	25H1192	GROOVE PIN	1		X	1/16" X 3/4"
18	R127214	SNAP RING	1		X	
19	37M7034	SCREW	2		X	
20	37M7036	SCREW	1		X	
21	19M8122	CAP SCREW	1		X	M12 X 85, HS 10.9
22	RE62820	SUPPORT	1		X	
23	RE62824	LIFT ARM	1		X	
24	RE63063	RELAY	1		X	
25	RE63065	ACTUATOR	1		X	
26	R126748	BUSHING	1		X	
27	R126929	PLATE	1		X	
28	R127213	SNAP RING	1		X	
29	R56465	O-RING	1		X	
30	03M7184	BOLT	4		X	M8 X 20
31	03M7353	BOLT	2		X	M12 X 30
32	11M7087	COTTER PIN	1		X	4 X 40 MM
33	14M7313	LOCK NUT	4		X	M12
34	14M7335	NUT	1		X	M20
35	14M7415	NUT	1		X	M12
36	14M7426	LOCK NUT	4		X	M8
37	19M7361	CAP SCREW	1		X	M12 X 50, HS 10.9
38	19M7493	CAP SCREW	1		X	M12 X 40, HS 10.9
39	19M7783	SCREW	2		X	M10 X 16, HS 10.9
40	19M7946	CAP SCREW	1		X	M20 X 40, HS 10.9
41	24M7047	WASHER	3		X	13 X 24 X 2.500 MM
42	E11077	WASHER	1		X	
43	R126814	DRIVE SHAFT	1		X	
44	16H672	RIVET	4		X	1/4" X 3/4"
45	RE58318	MODULE	1		X	

8D14

ROW-TRAK

ROW-TRAK QUICK COUPLER
ACCOUPLMENT RAPIDE ROW-TRAK
ROW-TRAK-SCHNELLKUPPLUNG
ATTACCO RAPIDO ROW-TRAK
ACOPLADOR RAPIDO DE ROW-TRAK
ROW-TRAK SNABBKOPPLING
RXP011180 -UN-23MAR95



RXP011180

8D15

ROW-TRAK

KEY	PART NO.	PART NAME	QTY	TRACTOR SERIAL NO.	A L L	REMARKS
1	R125051	PIN	2		X	
2	11M7087	COTTER PIN	2		X	4 X 40 MM
3	19M8029	CAP SCREW	8		X	M16 X 30, HS 10.9
4	R125149	BUSHING	3		X	
5	RE61452	PIN	1		X	
6	RE61451	CYLINDER	1		X	
	RE63794	KIT	1		X	
7	19M7979	SCREW	2		X	M8 X 55, HS 10.9
8	R125050	PIN	2		X	
9	14M7426	LOCK NUT	2		X	M8
10	K40014	LOCK NUT	4		X	1/2"
11	R125053	CLEVIS	1		X	
12	14H860	NUT	3		X	1/4"
13	12H302	LOCK WASHER	2		X	1/4"
14	RE61449	ARM	1		X	
15	R28776	O-RING	1		X	
16	N260556	O-RING	1		X	
17	R32507	SNAP RING	1		X	
18	R126929	PLATE	1		X	
19	R127213	SNAP RING	1		X	
20	R56465	O-RING	1		X	
21	RE53380	SENSOR	1		X	
22	37M7034	SCREW	2		X	
23	RE63036	CAP	1		X	
24	37M7036	SCREW	1		X	
25	R125055	BEARING	1		X	
26	RE61456	TURNBUCKLE	1		X	
27	W27358	GRIP	2		X	
28	19M8242	SCREW	6		X	M12 X 16, HS 10.9
29	RE63026	PIN	4		X	
30	RE61463	HANDLE	2		X	
31	RE61450	PIN	4		X	
32	R125056	LINK	2		X	(A)
	R125090	LINK	2		X	(B)
33	JD7797	LUBRICATION FITTING	4		X	
34	R125062	BEARING	8		X	
35	RE63524	CRANK	1		X	R.H.
	RE63525	CRANK	1		X	L.H.
36	19M7865	SCREW	4		X	M8 X 16, HS 10.9
37	R125054	COVER	2		X	
38	M40514	SNAP RING	4		X	
39	R125057	LINK	2		X	
40	R125060	PIN	2		X	
41	RE61460	PIN	2		X	
42	19M7787	SCREW	4		X	M12 X 20, HS 10.9
43	11M7081	COTTER PIN	2		X	2.500 X 20 MM
44	34H329	SPRING PIN	4		X	5/16" X 1-1/4"
45	R125059	LINK	2		X	
46	RE61447	PIN	2		X	
47	RE63528	PIVOT	1		X	R.H.
	RE63527	PIVOT	1		X	L.H.
	JD7797	LUBRICATION FITTING	2		X	
48	37M7089	SCREW	1		X	M6 X 12
49	RE61464	SHIELD	1		X	
50	R122428	LABEL	1		X	
51	R126470	MEDALLION	2		X	
52	RE61453	FRAME	1		X	(A)
	RE61498	FRAME	1		X	(B)
53	24H1122	WASHER	2		X	3/8" X 7/8" X 0.083"
54	R125061	LINK	2		X	
55	R125058	LINK	2		X	
56	R125046	SPRING	2		X	
57	19M7946	CAP SCREW	4		X	M20 X 40, HS 10.9
58	24M7242	WASHER	4		X	21.400 X 42 X 5 MM
59	N137598	SPRING PIN	2		X	
60	RE61454	LATCH	1		X	R.H.
	RE61455	LATCH	1		X	L.H.
61	BP13811	PIN	2		X	

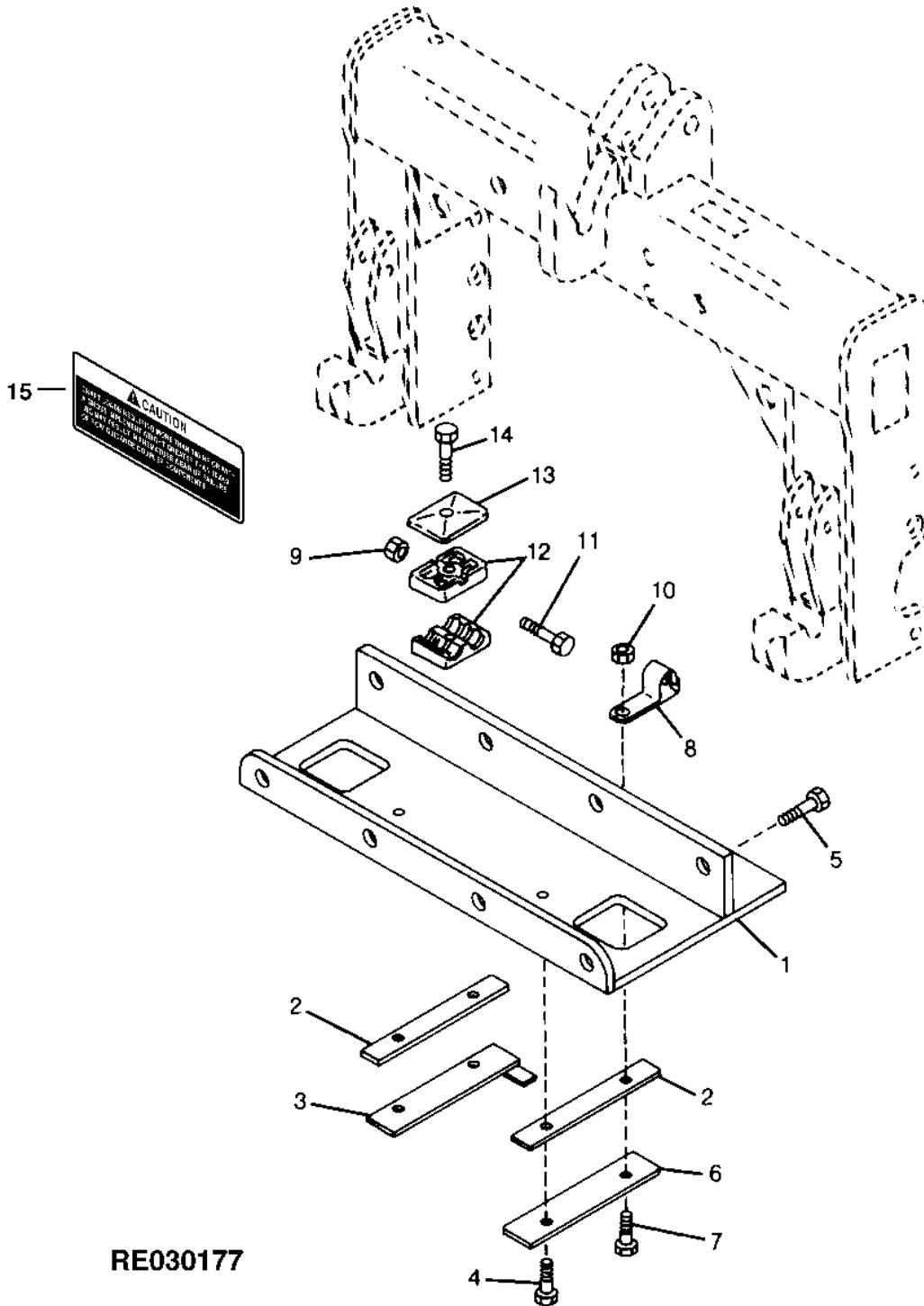
(A) CATEGORY IIIN
 CATEGORIE IIIN
 KATEGORIE IIIN
 CATEGORIA IIIN
 CATEGORIA IIIN
 KATEGORI IIIN

(B) CATEGORY III
 CATEGORIE III
 KATEGORIE III
 CATEGORIA III
 CATEGORIA III
 KATEGORI III

8D16

ROW-TRAK

ROW-TRAK PROBE BOX MOUNTING RAIL
RAIL DE MONTAGE DE BOITIER DE CAPTEUR ROW-TRAK
ROW-TRAK-SONDENKASTEN-BEFESTIGUNGSSCHIENE
BINARIO DI MONTAGGIO DELLA SCATOLA DELLA Sonda ROW-TRAK
RIEL DE MONTAJE DE CAJA DE Sonda ROW-TRAK
MONTERINGSSKENA FOER ROW-TRAK SONDERINGSBOX
RE030177 -UN-17NOV98



RE030177

8D17

KEY	PART NO.	PART NAME	QTY	TRACTOR SERIAL NO.	A L L	REMARKS
1	RE63037	SUPPORT	1		X	(A)
	RE63038	SUPPORT	1		X	(B)
2	R127150	MOUNTING PARTS	2		X	
3	RE63039	MOUNTING PARTS	1		X	
4	19M7550	CAP SCREW	3		X	M10 X 35, HS 10.9
5	19M8029	CAP SCREW	8		X	M16 X 30, HS 10.9
6	R128036	MOUNTING PARTS	1		X	
7	19M8320	SCREW	1		X	M10 X 45
8	R107991	CLAMP	1		X	
9	K40014	LOCK NUT	4		X	
10	14M7517	LOCK NUT	1		X	M10
11	R125050	PIN	2		X	
12	H120847	CLAMP	2		X	
13	H121168	PLATE	1		X	
14	19M8359	CAP SCREW	1		X	M8 X 45
15	R161282	LABEL	1		X	

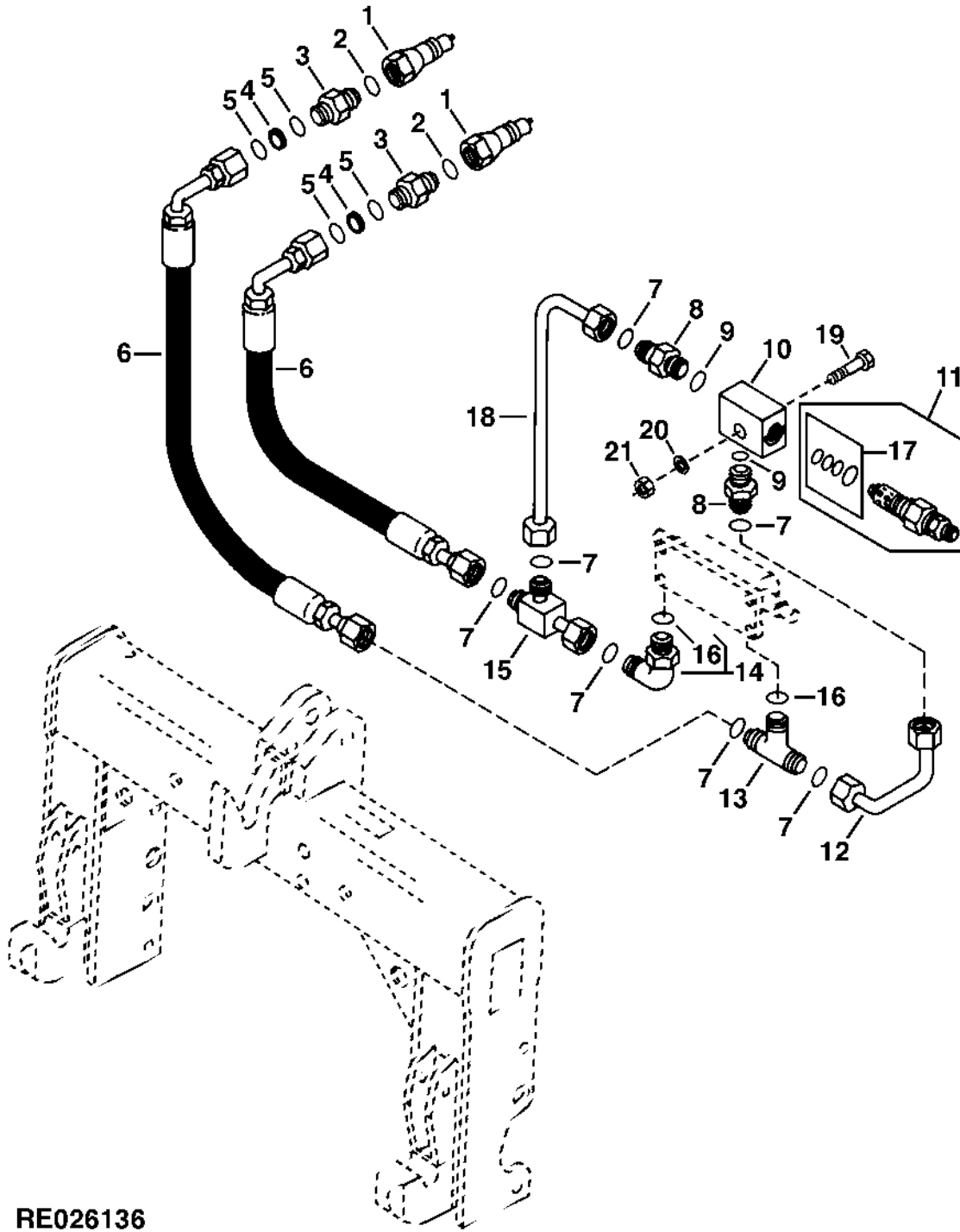
(A) CATEGORY IIIN
 CATEGORIE IIIN
 KATEGORIE IIIN
 CATEGORIA IIIN
 CATEGORIA IIIN
 KATEGORI IIIN

(B) CATEGORY III
 CATEGORIE III
 KATEGORIE III
 CATEGORIA III
 CATEGORIA III
 KATEGORI III

8D18

ROW-TRAK

ROW-TRAK QUICK COUPLER CYLINDER LINES
CONDUITES DE VERIN D'ACCOUPLMENT RAPIDE ROW-TRAK
ROW-TRAK-SCHNELLKUPPLUNG-ZYLINDERLEITUNGEN
LINEE DEL CILINDRO DELL'ATTACCO RAPIDO ROW-TRAK
LINEAS DE CILINDRO CON ACOPLADORES RAPIDOS PARA ROW-TRAK
CYLINDERLEDNINGAR TILL ROW-TRAK SNABBKOPPLING
RE026136 -UN-17MAR97



RE026136

8D19

ROW-TRAK

KEY	PART NO.	PART NAME	QTY	TRACTOR SERIAL NO.	A L L	REMARKS
1	AR94522	INTERNAL HALF COUPLER	2		X	
2	R26375	O-RING	2		X	
3	38H1171	ADAPTER	2		X	
4	R126588	PLATE	2		X	
5	T77613	O-RING	4		X	
6	RE58324	HYDRAULIC HOSE	2		X	
7	T77613	O-RING	11		X	
8	38H1160	ADAPTER	2		X	
9	R26448	O-RING	2		X	
10	R127877	MANIFOLD	1		X	
11	RE63686	RELIEF VALVE	1		X	
12	RE63599	OIL LINE	1		X	
13	38H5123	TEE FITTING	1		X	
14	38H5016	ELBOW FITTING	1		X	
15	38H1030	TEE FITTING	1		X	
16	51M7041	O-RING	2		X	11.300 X 2.200 MM
17	RE63795	SEAL KIT	1		X	(A)
18	RE63600	OIL LINE	1		X	
19	19M8069	SCREW	1		X	M6 X 55
20	24M7088	WASHER	1		X	6.600 X 12 X 1.600 MM
21	14M7272	NUT	1		X	M6

(A) RELIEF VALVE
 CLAPET DE DECHARGE
 UEBERDRUCKVENTIL
 VALVOLA DI SICUREZZA
 VALVULA DE ALIVIO
 SAEKERHETSVENTIL

MEMORANDA
MEMORANDA
MEMORANDA
MEMORANDA
MEMORANDA

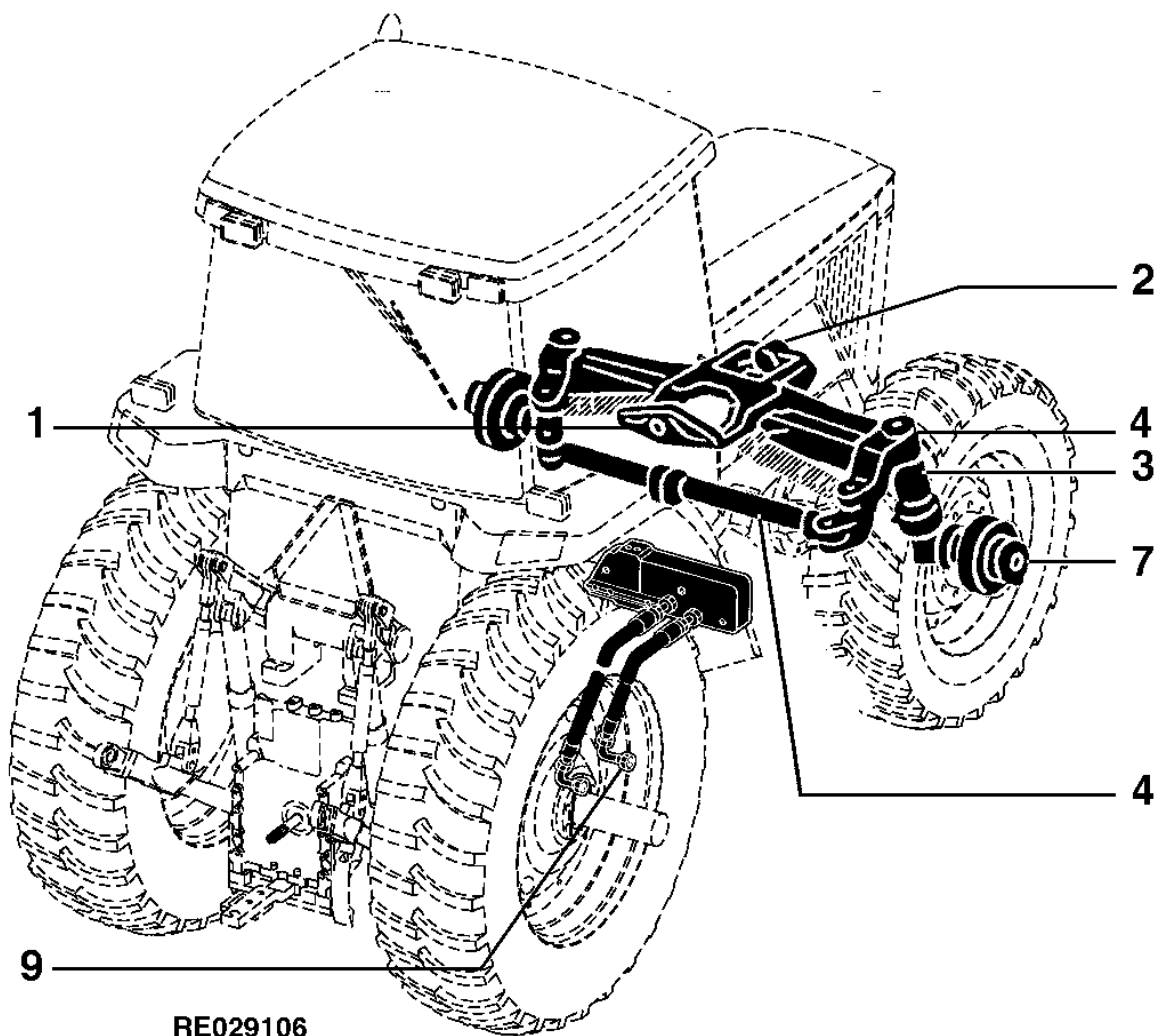
8E4

WHEEL, FRONT AXLES, SHEET METAL

SECTIONAL INDEX
INDEX DE SECTION
GRUPPENINDEX
INDICE DELLA SEZIONE
INDICE DE SECCION
GRUPPSFORTECKNING

RE029106 -UN-10MAY99

1 -	8E8
2 -	8E9
3 -	8E13
4 -	8E15
5 -	8E17
6 -	8E21
7 -	8F1
8 -	8F2
9 -	8F5
10 -	8F7
11 -	8F9
12 -	8F10
13 -	8F11
14 -	8F13
15 -	8F14
16 -	8F15
17 -	8F17
18 -	8F18
19 -	8F19
20 -	8F21
21 -	8F23
22 -	8G2
23 -	8G3
24 -	8G4
25 -	8G5
26 -	8G6
27 -	8G7



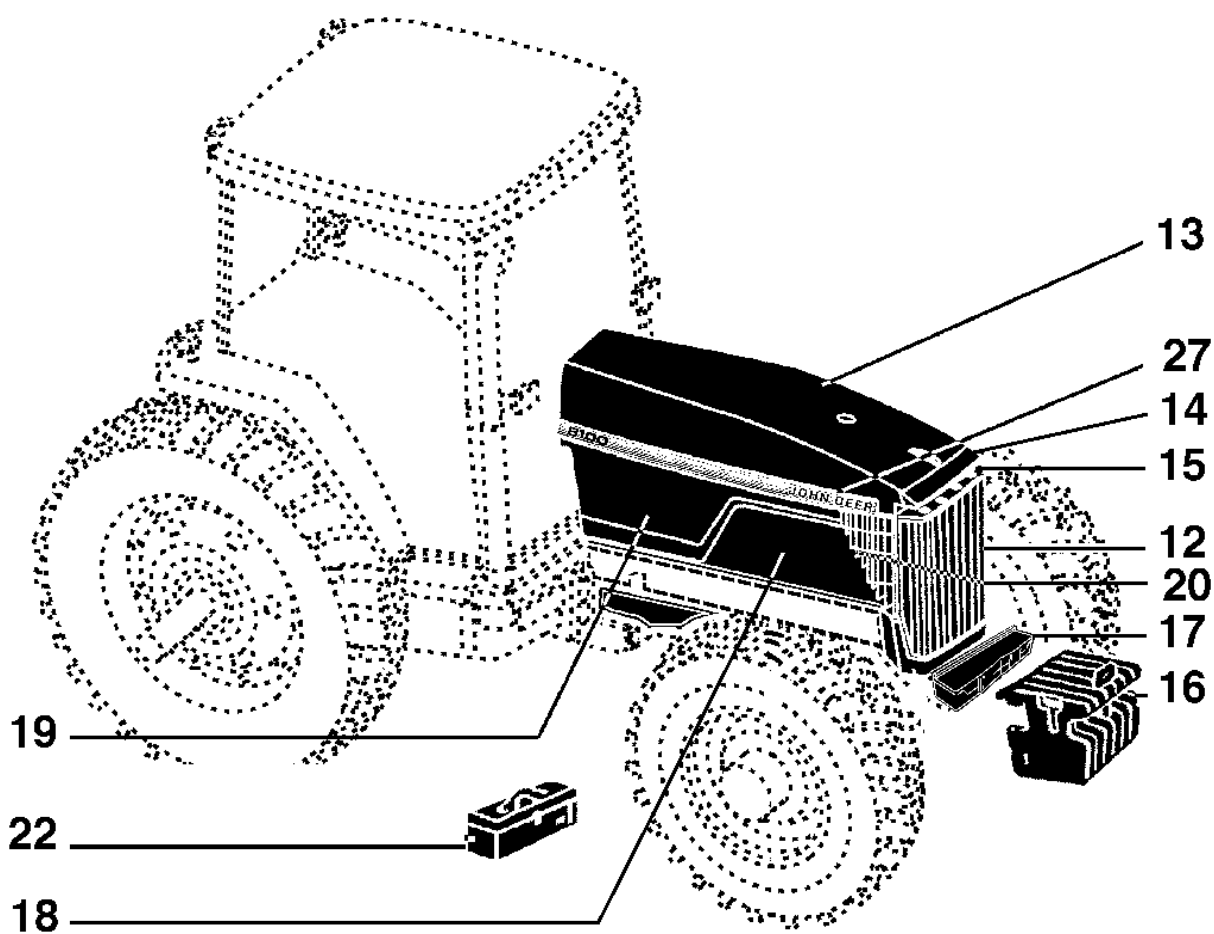
8E5

WHEEL, FRONT AXLES, SHEET METAL

SECTIONAL INDEX
INDEX DE SECTION
GRUPPENINDEX
INDICE DELLA SEZIONE
INDICE DE SECCION
GRUPPSFORTECKNING

RE029107 -UN-10MAY99

1 -	8E8
2 -	8E9
3 -	8E13
4 -	8E15
5 -	8E17
6 -	8E21
7 -	8F1
8 -	8F2
9 -	8F5
10 -	8F7
11 -	8F9
12 -	8F10
13 -	8F11
14 -	8F13
15 -	8F14
16 -	8F15
17 -	8F17
18 -	8F18
19 -	8F19
20 -	8F21
21 -	8F23
22 -	8G2
23 -	8G3
24 -	8G4
25 -	8G5
26 -	8G6
27 -	8G7



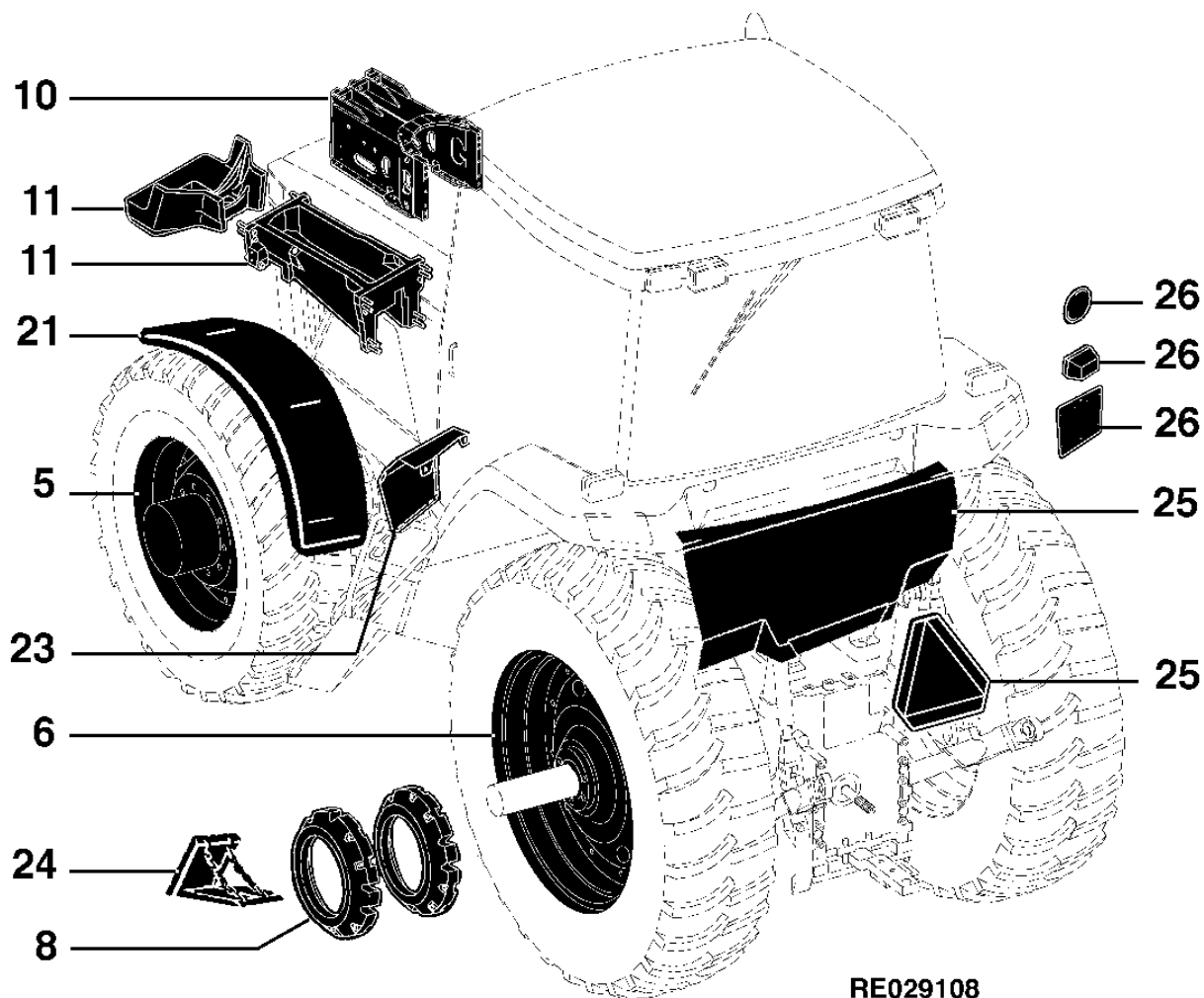
RE029107

8E6

WHEEL, FRONT AXLES, SHEET METAL

SECTIONAL INDEX
 INDEX DE SECTION
 GRUPPENINDEX
 INDICE DELLA SEZIONE
 INDICE DE SECCION
 GRUPPSFORTECKNING

RE029108 -UN-10MAY99



1 -	8E8
2 -	8E9
3 -	8E13
4 -	8E15
5 -	8E17
6 -	8E21
7 -	8F1
8 -	8F2
9 -	8F5
10 -	8F7
11 -	8F9
12 -	8F10
13 -	8F11
14 -	8F13
15 -	8F14
16 -	8F15
17 -	8F17
18 -	8F18
19 -	8F19
20 -	8F21
21 -	8F23
22 -	8G2
23 -	8G3
24 -	8G4
25 -	8G5
26 -	8G6
27 -	8G7

RE029108

8E7

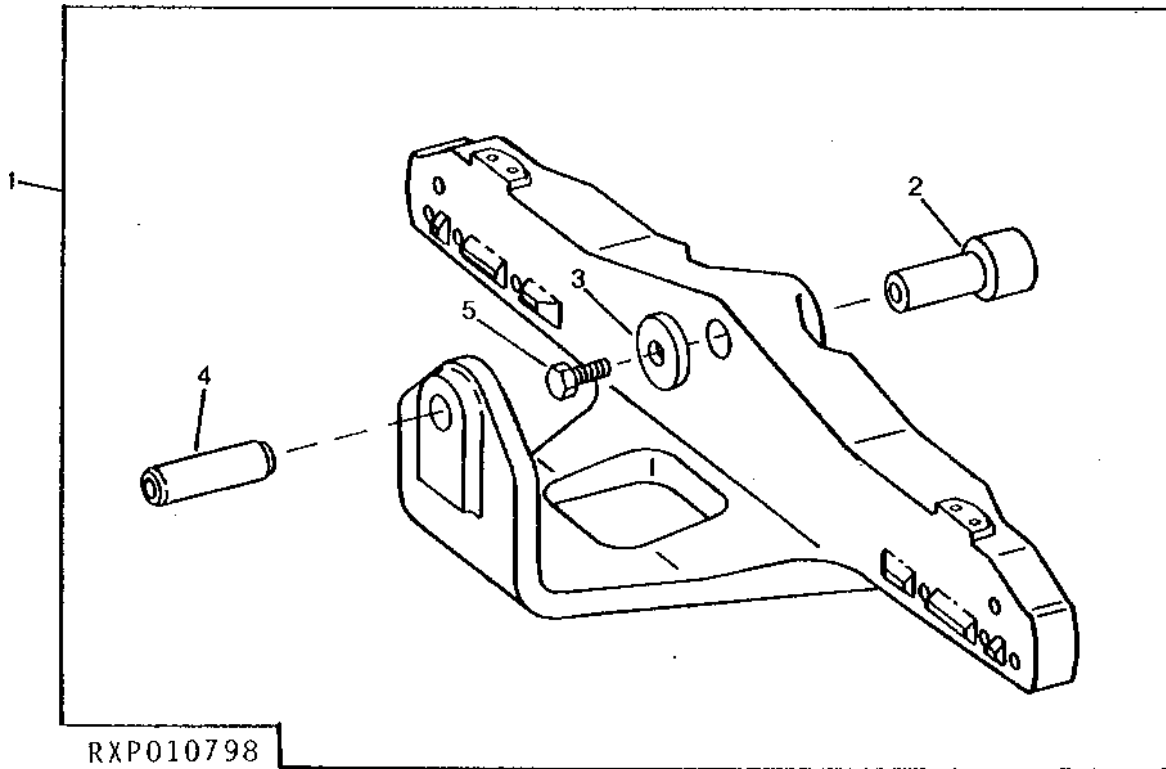
WHEEL, FRONT AXLES, SHEET METAL

SECTIONAL INDEX
INDEX DE SECTION
GRUPPENINDEX
INDICE DELLA SEZIONE
INDICE DE SECCION
GRUPPSFORTECKNING

8E8

WHEEL, FRONT AXLES, SHEET METAL

FRONT AXLE CENTER
 PARTIE INTERMEDIAIRE D'ESSIEU AVANT
 VORDERACHS-MITTELSTUECK
 ASSALE CENTRALE ANTERIORE
 PUENTE CENTRAL DEL EJE DELANTERO
 MITTSEKTION AV FRAMAXELN
 RXP010798 -UN-01JAN94



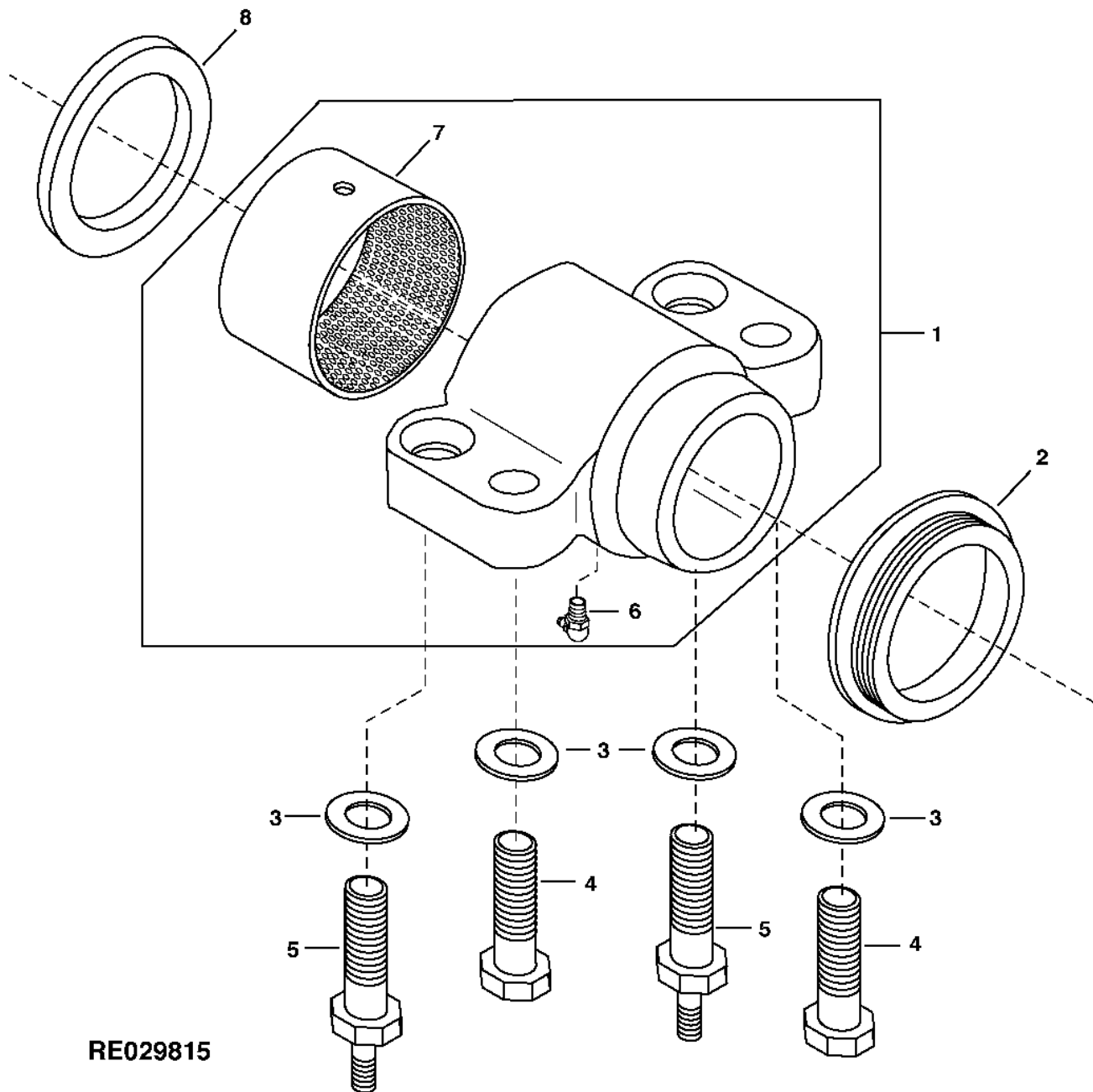
RXP010798

KEY	PART NO.	PART NAME	QTY	TRACTOR SERIAL NO.	8 8 8 1 2 3 0 0 0 0 0 0	REMARKS
1	RE49988	FRONT AXLE	1		X X X	(MARKED R111397, R128226 OR R132030) (SUB RE67366)
2	R111398	PIN	1		X X X	
3	R116440	WASHER	1		X X X	
4	R73635	BUSHING	1		X X X	REAR
5	19M8639	CAP SCREW	1		X X X	M20 X 70, HS 10.9

8E9

WHEEL, FRONT AXLES, SHEET METAL

FRONT AXLE REAR PIVOT SUPPORT
SUPPORT DE PIVOT ARRIERE D'ESSIEU AVANT
HINTERE VORDERACHS-GELENKZAPFENLAGER
SUPPORTO DELL'ARTICOLAZIONE POST.DELL'ASSALE ANT.
SOPORTE DEL PIVOTE TRASERO DEL EJE DELANTERO
FRAMAXELNS BAKRE LEDSTOED
RE029815 -UN-20AUG98



RE029815

8E10

WHEEL, FRONT AXLES, SHEET METAL

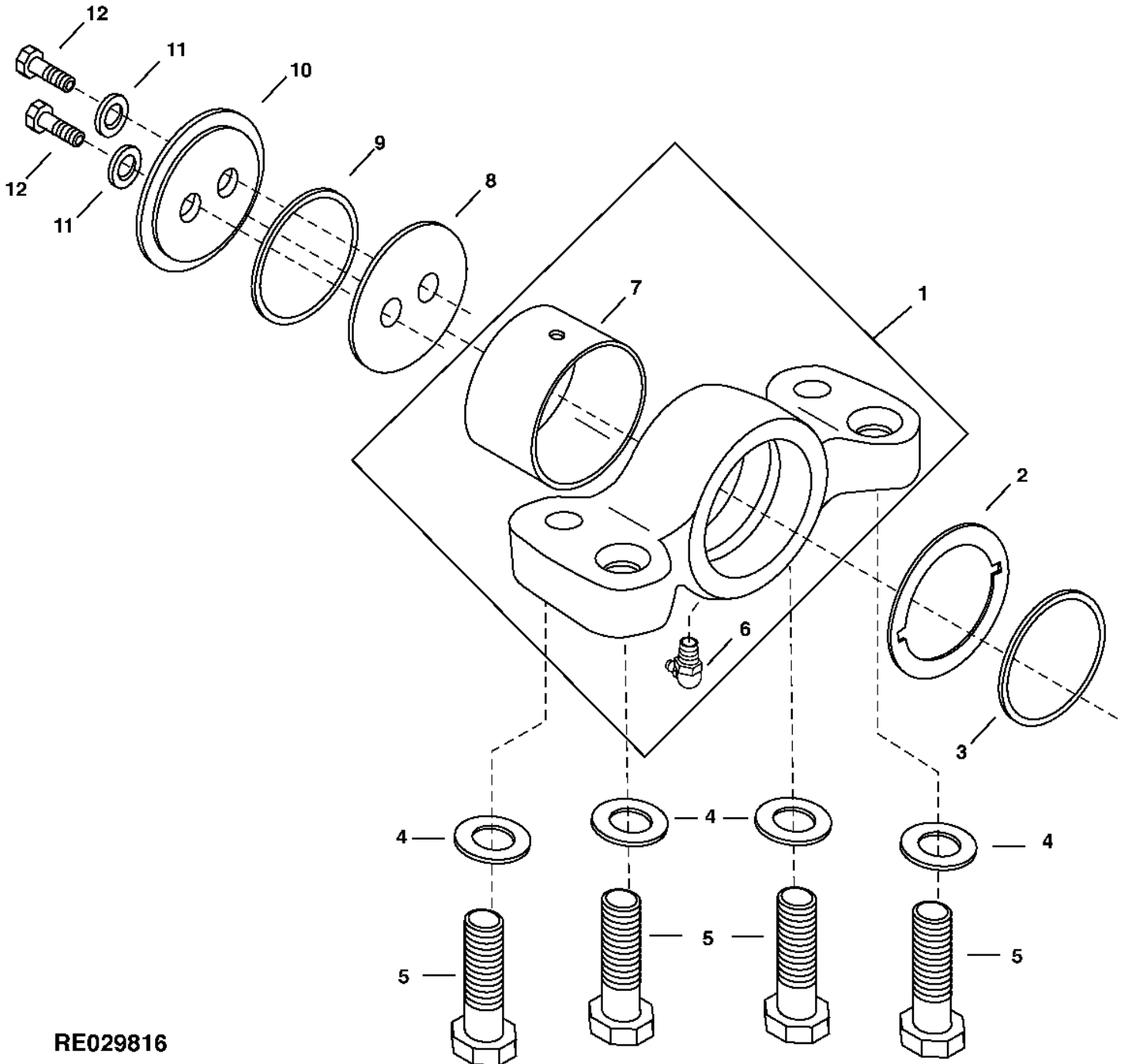
KEY	PART NO.	PART NAME	QTY	TRACTOR			REMARKS
				SERIAL NO.	8 8 8	1 2 3	
1	RE53180	SUPPORT	1	-XXXXXX	X X X		(A) W/MFWD, (SUB RE62205)
	RE62205	SUPPORT	1	XXXXXX-	X X X		(B) W/MFWD
	RE53046	SUPPORT	1		X X X		W/O MFWD
2	R116353	SEAL	1		X X X		W/MFWD
3	24M7242	WASHER	4		X X X		21.400 X 42 X 5 MM
4	19M7892	CAP SCREW	4		X X X		M20 X 80
5	R113329	ANCHOR	2		X X X		W/O MFWD
6	JD7798	LUBRICATION FITTING	1		X X X		
7	R109639	BUSHING	1	-XXXXXX	X X X		(A) W/MFWD
	R125974	BUSHING	1	XXXXXX-	X X X		(B) W/MFWD
	R109808	BUSHING	1		X X X		W/O MFWD
8	R107466	SEAL	1		X X X		MFWD

(A) (-XXXXXX) 8100-001490; 8200-001460; 8300-002510; 8400-001120
 (B) (XXXXXX-) 8100-001491; 8200-001461; 8300-002511; 8400-001121

8E11

WHEEL, FRONT AXLES, SHEET METAL

FRONT AXLE FRONT PIVOT FRONT SUPPORT (MFWD)
SUPPORT DE PIVOT AVANT D'ESSIEU AVANT (MFWD)
VORDERES VORDERACHS-GELENKZAPFENLAGER (MFWD)
SUPPORTO DELL'ARTICOLAZIONE ANT.DELL'ASSALE ANT (MFWD)
SOPORTE DEL PIVOTE DELANTERO DEL EJE DELANTERO (MFWD)
FRAMAXELNS FRAEMRE LEDSTOED (MFWD)
RE029816 -UN-18AUG98



RE029816

8E12

WHEEL, FRONT AXLES, SHEET METAL

KEY	PART NO.	PART NAME	QTY	TRACTOR SERIAL NO.	A	REMARKS
					L	
1	RE61477	SUPPORT	1	-XXXXXX	X	(A) (SUB FOR R107230) (SUB RE62204)
	RE62204	SUPPORT	1	XXXXXX-	X	(B)
2	R124958	THRUST WASHER	1		X	MFWD
3	R134224	PACKING	2		X	MFWD, (SUB FOR R124959)
4	24M7242	WASHER	4		X	21.400 X 42 X 5 MM
5	19M7892	CAP SCREW	4		X	M20 X 80 HS 10.9
6	JD7798	LUBRICATION FITTING	1		X	
7	R109639	BUSHING	1	-XXXXXX	X	(A)
	R125974	BUSHING	1	XXXXXX-	X	(B)
8	R124961	THRUST WASHER	1		X	W/ MFWD
	R107448	WASHER	1		X	W/O MFWD
9	R134224	PACKING	1		X	W/ MFWD, (SUB FOR R124959)
10	R124962	RETAINER	1		X	W/ MFWD
11	24M7241	WASHER	2		X	17 X 34 X 4 MM
12	19M7488	CAP SCREW	2		X	M16 X 40 HS 10.9

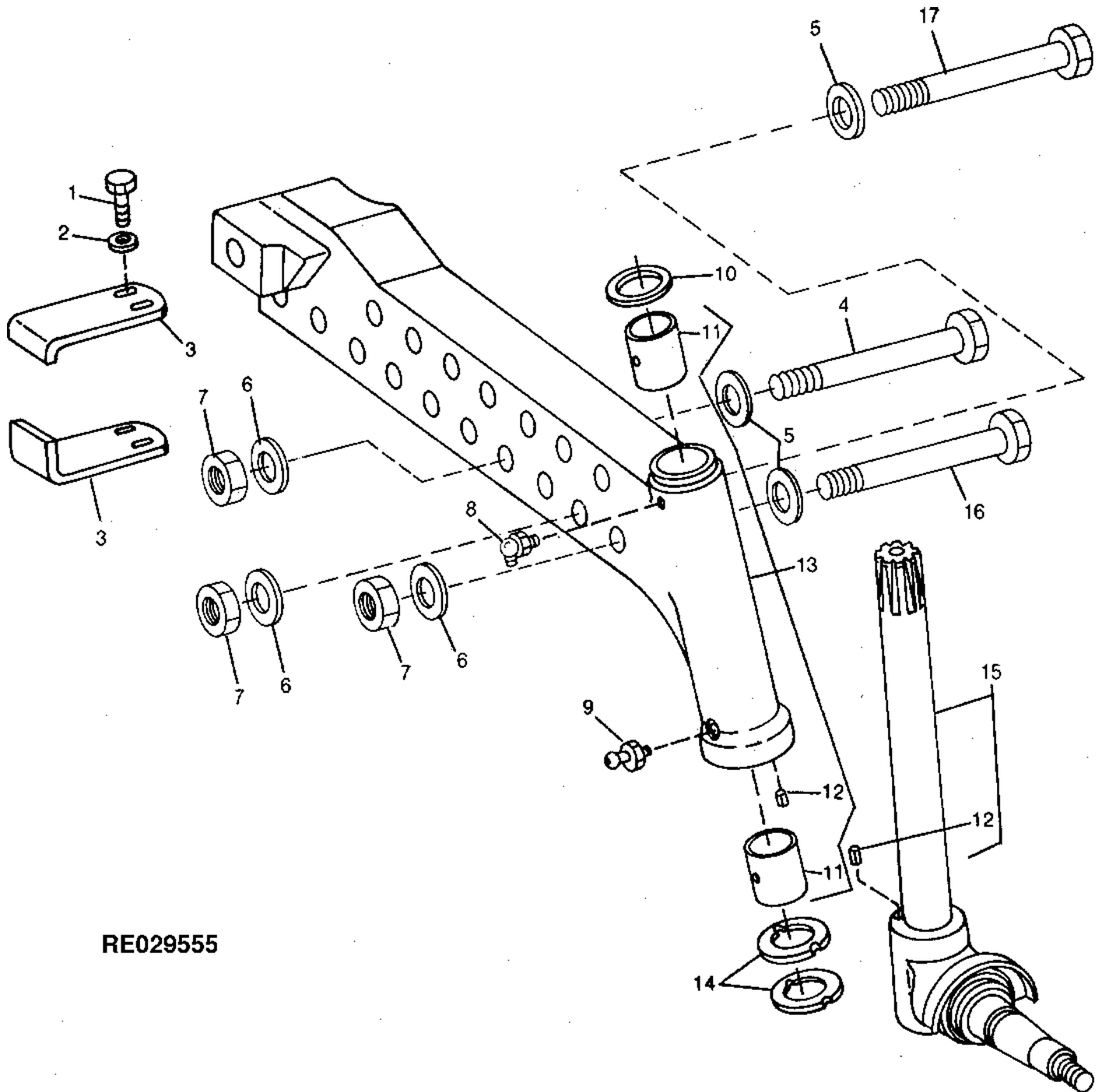
(A) (-XXXXXX) 8100-001543; 8200-001499; 8300-002563; 8400-001174

(B) (XXXXXX-) 8100-001544; 8200-001500; 8300-002564; 8400-001175

8E13

WHEEL, FRONT AXLES, SHEET METAL

FRONT AXLE KNEE SPINDLE KNUCKLE
PORTE-FUSEE/FUSEE
VORDERACHSARM/ACHSSCHENKEL
MONTANTE ASSALE ANTERIORE/FUSELLO
EXTENSION DEL EJE DELANTERO/MANGUETA
FRAMAXELARM/SPINDEL TAPP
RE029555 -UN-12MAY98



RE029555

8E14

WHEEL, FRONT AXLES, SHEET METAL

KEY	PART NO.	PART NAME	QTY	TRACTOR SERIAL NO.			REMARKS
				8	8	8	
1	19M7167	CAP SCREW	4				M10 X 25
2	24M7040	WASHER	4				11 X 20 X 2 MM
3	L75859	CLAMP	2	-XXXXXX	X X X		(C)
	R136359	CLAMP	2	XXXXXX-	X X X		(D)
4	19M7645	SCREW	1				M20 X 200 HS 10.9, (NLR)
	19M7921	CAP SCREW	6	XXXXXX-	X X X		(D) M20 X 150
5	24M7242	WASHER	4	-XXXXXX	X X X		(A) 21.400 X 42 X 5 MM
	24M7344	WASHER	4	XXXXXX-	X X X		(B) 22 X 37 X 3 MM
6	24M7242	WASHER	4	-XXXXXX	X X X		(A) 21.400 X 42 X 5 MM
	24M7344	WASHER	4	XXXXXX-	X X X		(B)
7	14M7277	NUT	4				M20
8	JD7799	LUBRICATION FITTING	1				UP
9	JD7798	LUBRICATION FITTING	1				LOW
10	R31251	WASHER	6				
11	R52188	BUSHING	2				
12	34H308	SPRING PIN	1				1/4" X 1/2"
13	RE58605	AXLE KNEE	1				(MARKED R122354) RH
	RE58606	AXLE KNEE	1				(MARKED R122355) LH
14	R30398	WASHER	2				
15	RE57644	KNUCKLE	1				(SUB FOR RE71370) (INCLUDES 14M7519 AND 34H308)
16	19M8503	CAP SCREW	2				M20 X 160, HS 10.9
17	19M8100	CAP SCREW	2	-XXXXXX	X X X		(C) M20 X 180
	19M8503	CAP SCREW	2	XXXXXX-	X X X		(D) M20 X 160

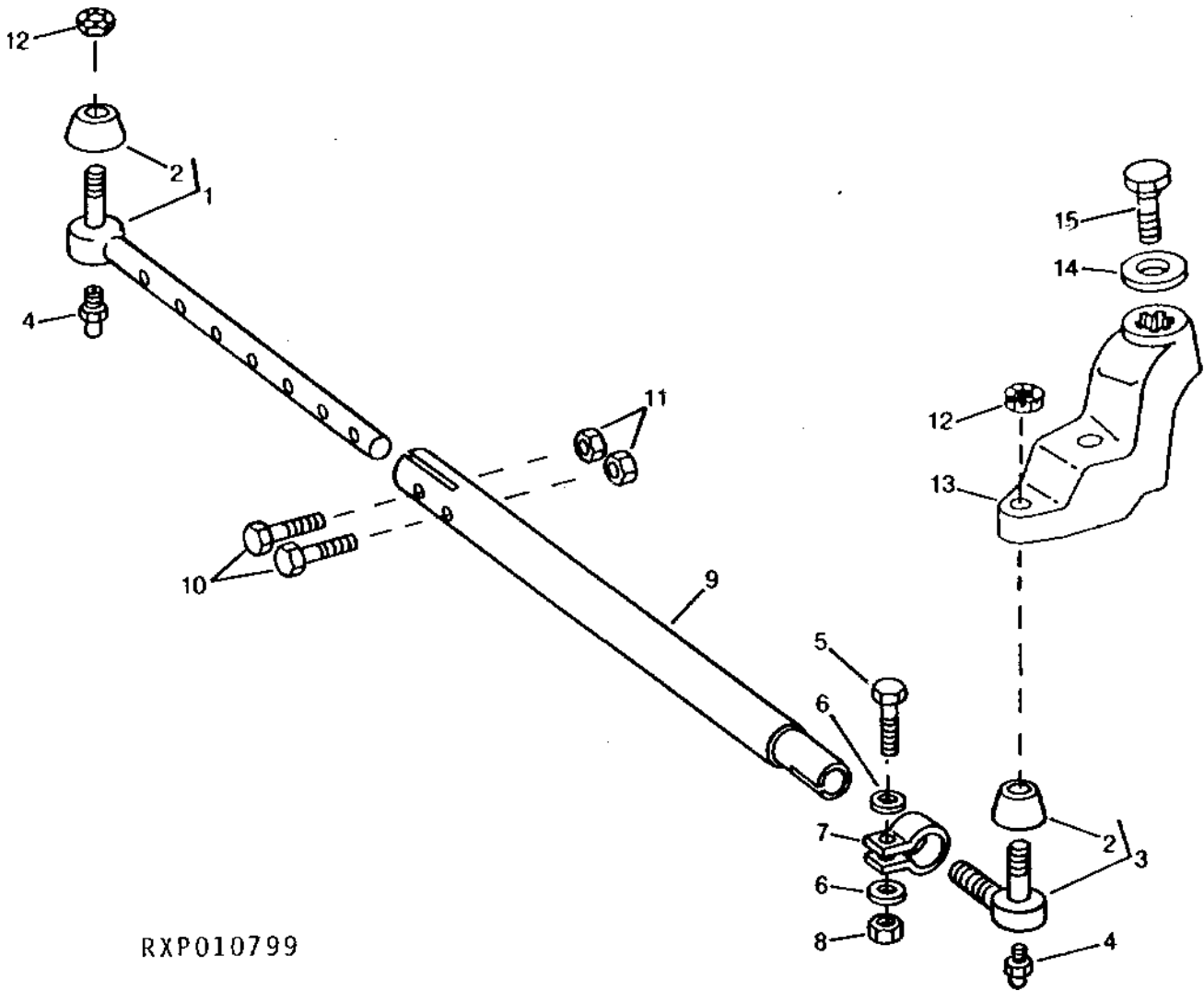
(A) (-XXXXXX) 8100-001092; 8200-001096; 8300-001309; 8400-001042
 (B) (XXXXXX-) 8100-001093; 8200-001097; 8300-001310; 8400-001043

(C) (-XXXXXX) 8100-020954; 8200-020801; 8300-021482
 (D) (XXXXXX-) 8100-020955; 8200-020802; 8300-021483

8E15

WHEEL, FRONT AXLES, SHEET METAL

TIE ROD
BARRE D'ACCOUPEMENT
SPURSTANGE
BARRA D'ACCOPIAMENTO
VARILLA TENSORA
PARALLELSTAG
RXP010799 -UN-01JAN94



RXP010799

8E16

WHEEL, FRONT AXLES, SHEET METAL

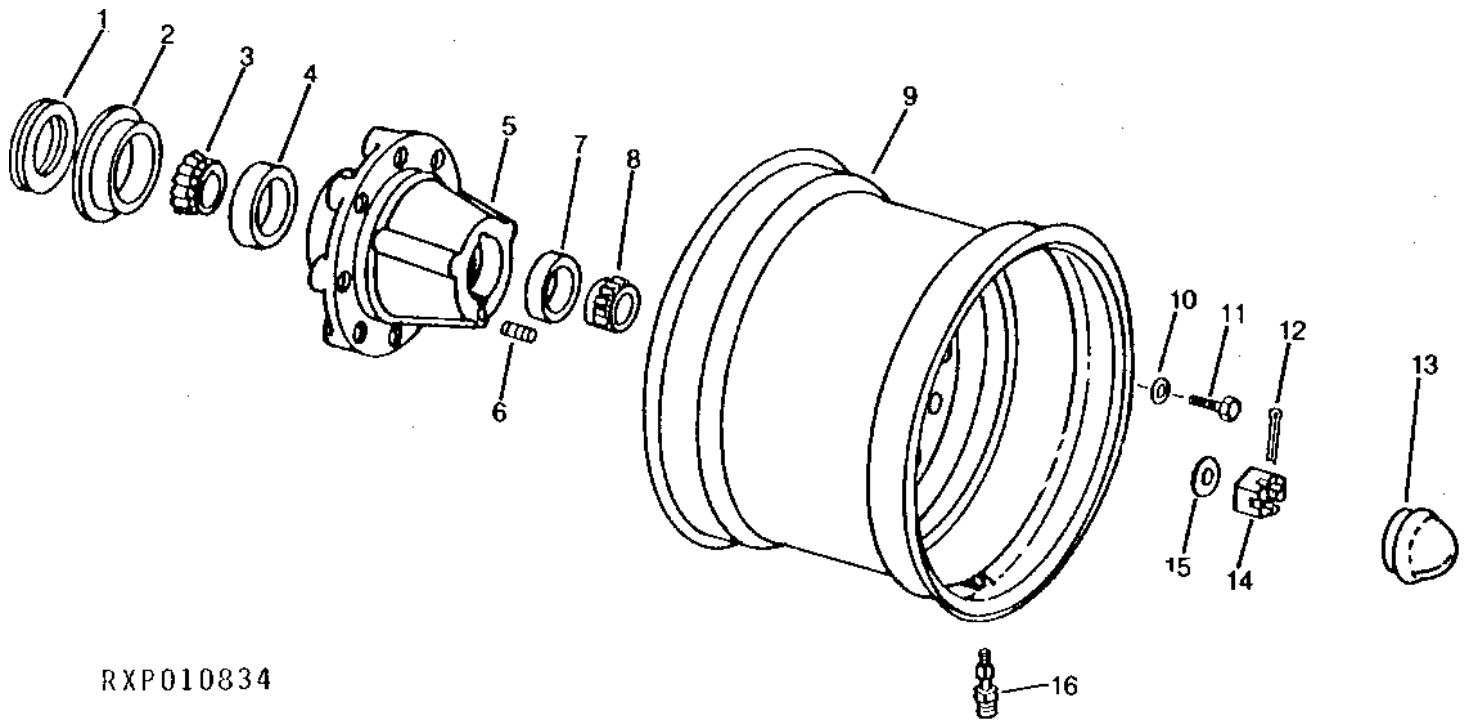
KEY	PART NO.	PART NAME	QTY	TRACTOR SERIAL NO.			REMARKS
				8	8	8	
				1	2	3	
				0	0	0	
				0	0	0	
1	RE58495	TIE ROD END	1	X	X	X	L.H.
2	R78027	COVER	2	X	X	X	
3	RE58693	TIE ROD END	1	X	X	X	R.H.
4	JD7797	LUBRICATION FITTING	2	X	X	X	
5	19M7214	CAP SCREW	1	X	X	X	M12 X 70
6	24M7047	WASHER	2	X	X	X	13 X 24 X 2.500 MM
7	R66307	CLAMP	1	X	X	X	
8	14M7313	LOCK NUT	1	X	X	X	(A) M12
	B30434	LOCK NUT	1	X	X	X	(B)
9	R125162	TUBE	1	X	X	X	
10	19H3704	CAP SCREW	2	X	X	X	3/8" X 2-1/4"
11	K40003	LOCK NUT	2	X	X	X	3/8"
12	R125532	LOCK NUT	2	X	X	X	
13	R125163	STEERING ARM	1	X	X	X	R.H.
	R125164	STEERING ARM	1	X	X	X	L.H.
14	R121183	WASHER	2	X	X	X	
15	19M8002	CAP SCREW	2	X	X	X	M20 X 55, HS 10.9

(A) (-XXXXXX) 8100-020954; 8200-020801; 8300-021482
 (B) (XXXXXX-) 8100-020955; 8200-020802; 8300-021483

8E17

WHEEL, FRONT AXLES, SHEET METAL

FRONT WHEEL
ROUES AVANT
VORDERRAEDER
ROUTE ANTERIORI
RUEDAS DELANTERAS
FRAMHJUL
RXP010834 -UN-01JAN94



RXP010834

KEY	PART NO.	PART NAME	QTY	TRACTOR SERIAL NO.	A L L	REMARKS
1	AR27806	SEAL	1		X	
2	R28574	SEAL	1		X	
3	JD8131	BEARING CONE	1		X	
4	JD7439	BEARING CUP	1		X	
5	R113716	HUB	1		X	
6	22H841	SET SCREW	1		X	1/4" X 1/4"
7	JD7266	BEARING CUP	1		X	
8	JD10190	BEARING CONE	1		X	
9	RE58702	WHEEL	1	-XXXXXX	X	(A) (C) (10.00-20")
	RE70776	WHEEL	1	XXXXXX-	X	(A) (D) (10.00-20")
	RE51672	WHEEL	1	-XXXXXX	X	(A) (E) (SUB FOR RE14519) (11.00-16")
	RE70784	WHEEL	1	XXXXXX-	X	(A) (F) (11.00-16")
	RE70785	WHEEL	1		X	(A) (H) (14.00-16")
	RE50184	WHEEL	1	-XXXXXX	X	(A) (G) (10.00-24")
	RE70777	WHEEL	1	XXXXXX-	X	(A) (H) (10.00-24")
	RE50183	WHEEL	1	-XXXXXX	X	(A) (G) (10.00-16")
	RE70775	WHEEL	1	XXXXXX-	X	(A) (H) (10.00-16")
10	24M7241	WASHER	8		X	17 X 34 X 4 MM
11	19M7488	CAP SCREW	8		X	M16 X 40
12	11M7030	COTTER PIN	1		X	0.197" X 1.575"
13	DT2127W	CAP	1		X	
14	14M7519	NUT	1		X	M24
15	24M7243	WASHER	1		X	25.400 X 50 X 6 MM
16	AT25226	TIRE VALVE STEM	1		X	(A) (14L-16.1, 16.5L-16.1, 11.00-20, OR 11.00-24)
	AM30347	TIRE VALVE STEM	1		X	(A) (B) (USE WITH RE50183)
17	RE54816	BEARING KIT	1		X	

(A)FOR TIRE SIZE
 POUR PNEUMATIQUES
 FUER BEREIFUNG
 PER PNEUMATICI
 PARA NEUMATICOS
 FOR DACKSDIMENSION

(B)ALL MODELS
 TOUS MODELES
 ALLE MODELLE
 TUTTI I MODELLI
 TODOS LOS MODELOS
 ALLA MODELLER

(C)(-XXXXXX) 8100-020954; 8200-021802; 8300-021420; 8400-021559

(D)(XXXXXX-) 8100-020955; 8200-021803; 8300-021421; 8400-021560

(E)(-XXXXXX) 8100-020966; 8200-020806; 8300-021420; 8400-021559

(F)(XXXXXX-) 8100-020967; 8200-020807; 8300-021421; 8400-021560

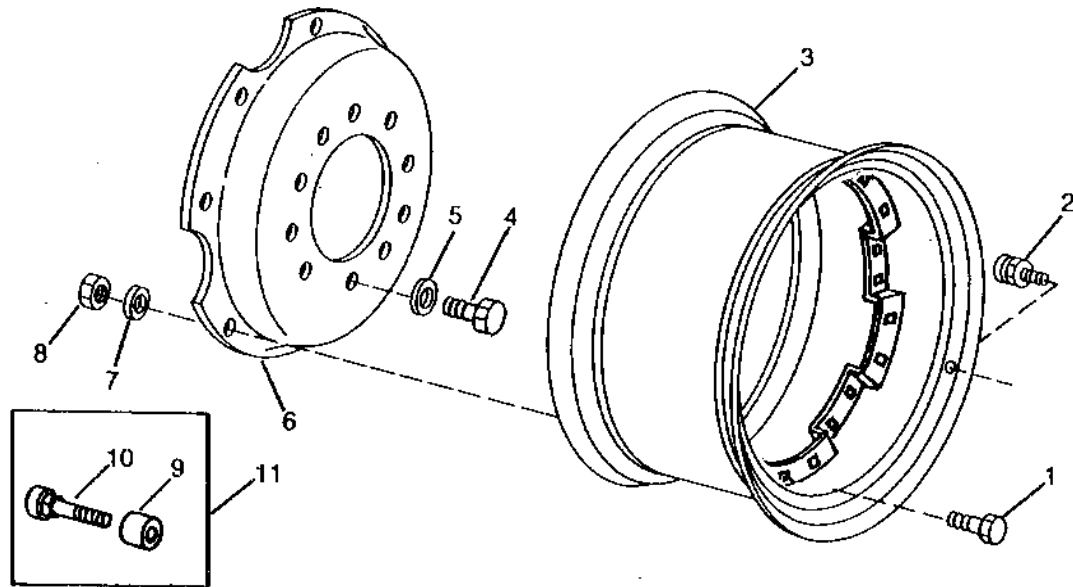
(G)(-XXXXXX) 8100-021009; 8200-021802; 8300-021420; 8400-021559

(H)(XXXXXX-) 8100-021010; 8200-021803; 8300-021421; 8400-021560

8E19

WHEEL, FRONT AXLES, SHEET METAL

FRONT WHEELS (MECHANICAL FRONT WHEEL DRIVE)
ROUSES AVANT (TRACTION AVANT MECANIQUE)
VORDERRAEDER (MECHANISCHER FRONTANTRIEB)
RUOTE ANTERIORI (TRAZIONE ANTERIORE MECANICA)
RUEDAS DELANTERAD (TRACCION DELANTERA)
FRAMHJUL (MEKANISK FRAMHJULSDRIVNING)
RXP9500 -UN-01JAN94



RXP9500

8E20

WHEEL, FRONT AXLES, SHEET METAL

KEY	PART NO.	PART NAME	QTY	TRACTOR SERIAL NO.	A L L	REMARKS
1	R112424	BOLT	12		X	M16 X 50
2	AT25226	TIRE VALVE STEM	1		X	
3	RE156605	RIM	1		X	(A) (SUB FOR RE49474) (16.9-28, 480/70R28) (18.4R28)
	RE156606	RIM	1		X	(A) (SUB FOR RE67191 OR RE51658) (600/65R28)
	RE156607	RIM	1		X	(A) (SUB FOR RE49475) (14.9-30)
	RE156608	RIM	1		X	(A) (SUB FOR RE49476) (16.9-30) (480/70R30)
	RE156610	RIM	1		X	(A) (SUB FOR RE67190, RE51657) (14.9-34) (385/85R34)
	RE156609	RIM	1		X	(A) (320/85R34)(290/195R34) (SUB FOR RE51656)
4	19M8224	CAP SCREW	12		X	M20 X 60, M20 X 60, HS 10.9
5	24M7242	WASHER	12		X	21.400 X 42 X 5 MM, 21.400 X 42 X 5 MM
6	R156497	WHEEL CENTER	1		X	(C) (SUB FOR R112951) 28" & 30"
	R156499	WHEEL CENTER	1		X	(C) (SUB FOR R112953) 34"
	R156498	WHEEL CENTER	1		X	(A) (D) (SUB FOR R116336) (600/65R28), 28" & 30"
7	24M7241	WASHER	12		X	17 X 34 X 4 MM
8	14M7276	NUT	12		X	M16, M16
9	R115277	SPACER	16		X	
10	R115278	BOLT	16		X	
11	RE52128	KIT	1		X	(B) (SUB (16) R115277 AND (16) R115278)

(A)FOR TIRE SIZE
 POUR PNEUMATIQUES
 FUER BEREIFUNG
 PER PNEUMATICI
 PARA NEUMATICOS
 FOR DACKSDIMENSION

(B)66" TREAD SETTING
 VOIE DE ROUE DE 1,68 M (66 IN.)
 1,68 M (66 IN.) SPUREINSTELLUNG
 CAREGGIATA DA 1.68 M (66 IN.)
 AJUSTE DE ANCHO DE VIA DE 1,66 M (66
 1,68 M (66 IN.) SPAARVIDD

(C)101.6 MM FLANGE OFFSET
 101.6 MM REGLAGE DE BRIDE
 101.6 MM GEKROPFTER FLANSCH
 101.6 COMPENSACION DE BRIDA
 101.6 MM DISASSAMENTO FLANGIA
 101.6 MM JUSTERINGSAVST NO FLANS

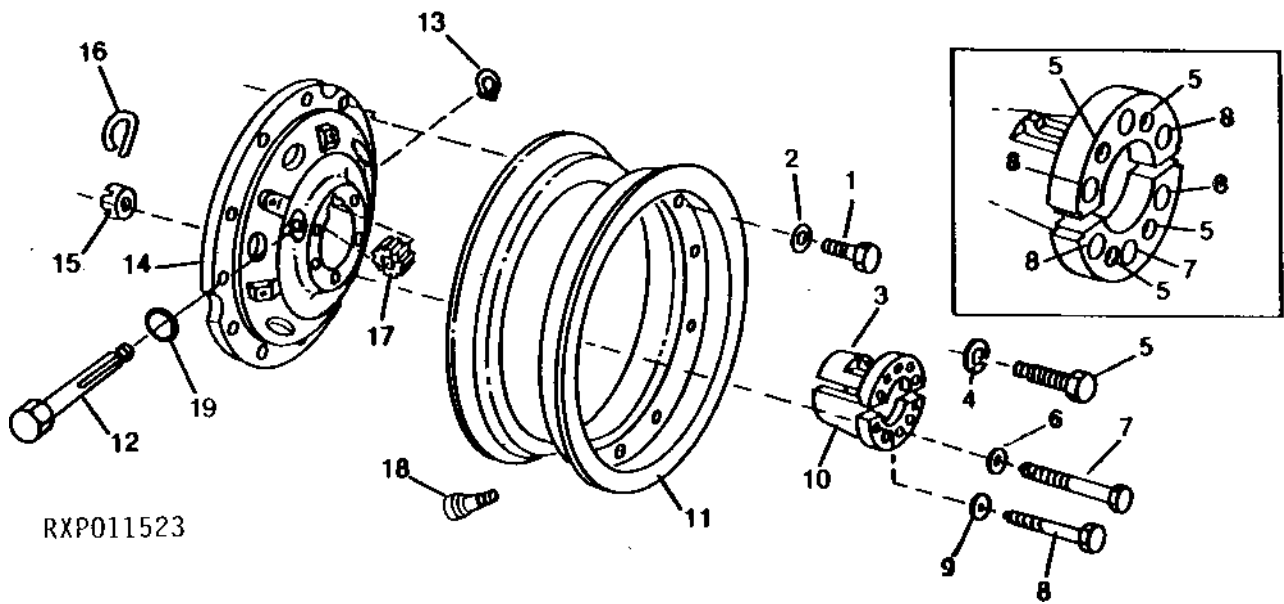
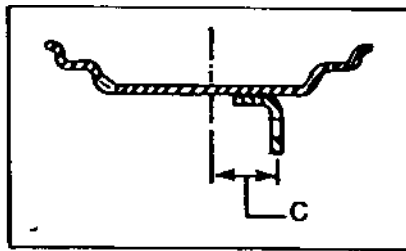
(D)75 MM FLANGE OFFSET
 75 MM REGLAGE DE BRIDE
 75 MM GEKROPFTER FLANSCH
 75 MM COMPENSACION DE BRIDA
 75 MM DISASSAMENTO FLANGIA
 75 MM JUSTERINGSAVST NO FLANS

(E)FOR TUBELESS TIRES
 DE PNEUS SANS CHAMBRE A AIR
 FUER SCHLAUCHLOSE BEREIFUNGEN
 PER PNEUMATICI SENZA CAMERA D'ARIA
 PARA NEUMATICOS SIN CAMARA DE AIRE
 FOR SLANGLOSA DACK

8E21

WHEEL, FRONT AXLES, SHEET METAL

CAST REAR WHEELS
ROUES ARRIERE FONTE
GUSS-HINTERRAEDER
RUOTE POSTERIORI GHISI
RUEDAS TRASERAS DE FUNDICION
GJUTNA BAKHJULER
RXP011523 -UN-06JAN95



RXP011523

KEY	PART NO.	PART NAME	QTY	TRACTOR SERIAL NO.	A L L	REMARKS
1	R105572	CAP SCREW	12		X	
2	R52006	WASHER	12		X	
3	R126587	SLEEVE	1		X	(E) (SUB FOR R124250)
	R124249	SLEEVE	1		X	(D)
4	A4883R	RING	4		X	
5	R109147	CAP SCREW	4		X	
6	R52006	WASHER	1		X	
7	R111009	CAP SCREW	1		X	
8	R109823	CAP SCREW	4		X	
9	R99437	WASHER	4		X	
	R111103	SLEEVE	1		X	(B) (D)
10	R111104	SLEEVE	1		X	(B) (E)
11	RE55071	RIM	1		X	(A) (C) (320/90R50)
	RE48142	RIM	1		X	(A) (C) (20.8-38)
	RE50750	RIM	1		X	(A) (C) (18.4-42)
	RE50749	RIM	1		X	(A) (C) (20.8-42)
	RE48145	RIM	1		X	(A) (C) (14.9-46 OR 420/80R46)
	RE50699	RIM	1		X	(A) (C) (18.4-46)
	RE44260	RIM	1		X	(A) (C) (710/70R38)
	RE66601	RIM	1		X	(A) (620/70R42)
	RE150852	RIM	1		X	(A) (308/90R50)
12	R124256	PINION SHAFT	1		X	
13	R125475	PIN	1		X	
14	R124162	WHEEL	1		X	
15	R111010	NUT	1		X	
16	R125475	PIN	1		X	
17	R124102	PINION	1		X	(D)
	R58865	PINION	1		X	(E)
18	AT25226	TIRE VALVE STEM	1		X	
19	R74210	O-RING	1		X	

(A)FOR TIRE SIZE
 POUR PNEUMATIQUES
 FUER BEREIFUNG
 PER PNEUMATICI
 PARA NEUMATICOS
 FOR DACKSDIMENSION

(B)KEY HALF
 CLAVETTE
 KEILHALFTE
 ROTEN DE LLAVE
 CHIAVETTA
 KONSPRINT

(C)76.2 MM FLANGE OFFSET
 76.2 MM REGLAGE DE BRIDE
 76.2 MM GEKROPFTER FLANSCH
 76.2 MM COMPENSACION DE BRIDA
 76.2 MM DISASSAMENTO FLANGIA
 76.2 MM JUSTERINGSVAVST ND FLANS

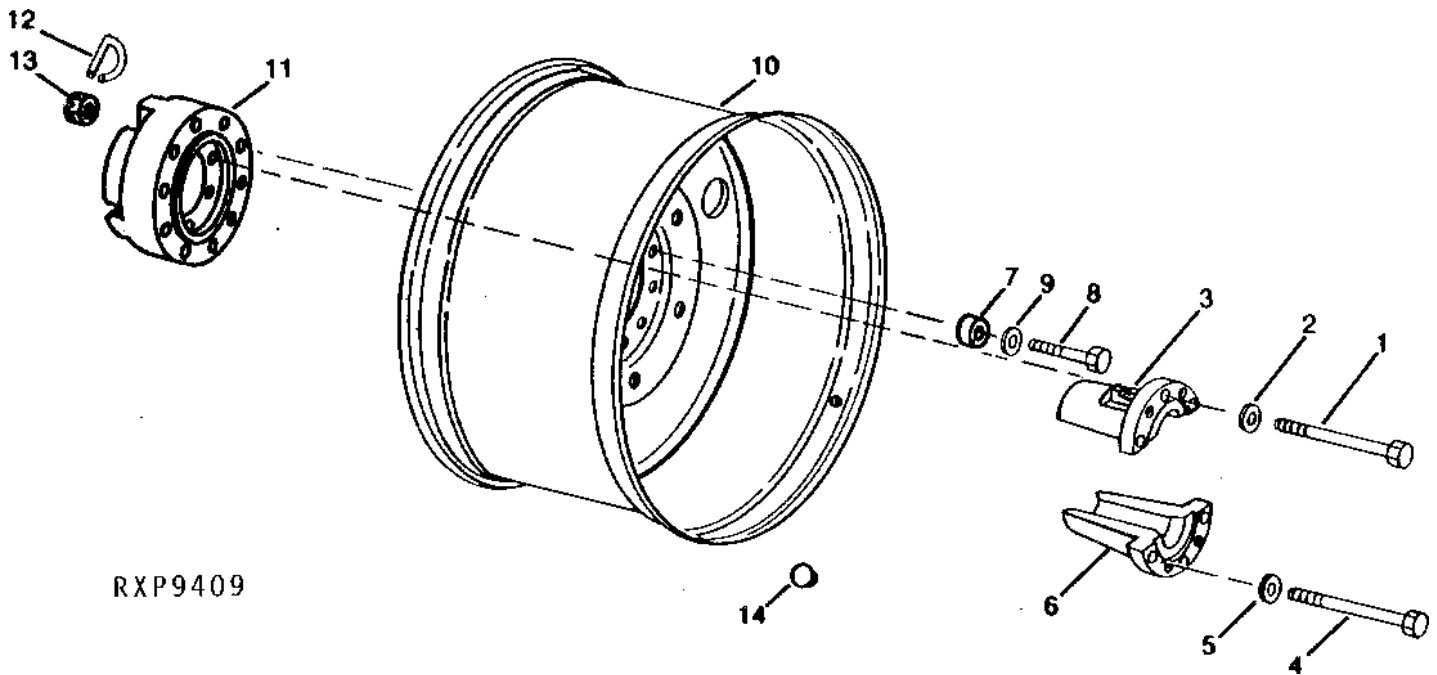
(D)100 MM AXLE
 100 MM ESSIEU
 100 MM ACHSE
 100 MM ASSALE
 100 MM EJE
 100 MM AXEL

(E)110 MM AXLE
 110 MM ESSIEU
 110 MM ACHSE
 110 MM ASSALE
 110 MM EJE
 110 MM AXEL

8E23

WHEEL, FRONT AXLES, SHEET METAL

STEEL DISK REAR WHEELS (10-BOLT HUB)
ROUES ARRIERE ACIER (ROUE A 10 BOULONS UNIQUEMENT)
STAHL-HINTERRAEDER (NUR FUER 10-SCHRAUBEN-NABE)
RUOTE POSTERIORI ACCIAIO (10-BULLONE A COLONNETTA SOLTANTO)
RUEDAS TRASERAS CON DISCO DE ACERO (CUBO DE 10 BULONES SOLAMENTE)
BAKHJUL MED STALDISK (ENDAST NAV MED 10 BULTAR)
RXP9409 -UN-01JAN94



RXP9409

KEY	PART NO.	PART NAME	QTY	TRACTOR SERIAL NO.	A L L	REMARKS
1	R111009	CAP SCREW	2		X	
2	R52006	WASHER	2		X	
3	R124249	SLEEVE	1		X	(F) (8100 & 8200)
	R126587	SLEEVE	1		X	(G) (SUB FOR R124250)
4	R109823	CAP SCREW	4		X	
5	R99437	WASHER	4		X	
6	R111103	SLEEVE	1		X	(A) (F) (8100 & 8200)
	R111104	SLEEVE	1		X	(A) (G)
7	R113692	SPACER	10		X	(B) (C) (20.8-38, 20.8-42)
	R113692	SPACER	10		X	(B) (D) (E) (650-34)
8	R111434	CAP SCREW	10	-XXXXXX	X	(B) (D) (H) (650-34, 710-38)
	R111437	CAP SCREW	10	XXXXXX-	X	(B) (D) (I) (650-34, 710-38)
	R111434	CAP SCREW	10	-XXXXXX	X	(B) (C) (H) (20.8-38, 20.8-42)
	R111437	CAP SCREW	10	XXXXXX-	X	(B) (C) (I) (20.8-38, 20.8-42)
	R111434	CAP SCREW	10	-XXXXXX	X	(B) (E) (H) M22 X 130, HS 10.9 (650-34)
	R111437	CAP SCREW	10	XXXXXX-	X	(B) (E) (I) M22 X 100, HS 10.9 (650-34)
	R111437	CAP SCREW	10	-XXXXXX	X	(B) (D) (H) (20.8-38, 18.4-42, 20.8-42, 18.4-46)
	R131667	CAP SCREW	10	XXXXXX-	X	(B) (D) (I) M22 X 70-8.8 (20.8-38, 18.4-42, 20.8-42, 18.4-46)
9	R52006	WASHER	10		X	
10	RE56317	WHEEL	1		X	(B) (E) (650-34)
	RE51962	WHEEL	1		X	(B) (C) (20.8-38)
	RE50911	WHEEL	1		X	(B) (18.4-42)
	RE51963	WHEEL	1		X	(B) (C) (20.8-42)
	RE50928	WHEEL	1		X	(B) (D) (650-34)
	RE51017	WHEEL	1		X	(B) (18.4-46)
	RE155994	WHEEL	1		X	(B) (710-38) (SUB FOR RE57050 OR RE65232)
	RE66602	WHEEL	1		X	(B) (620/70R42)
	RE150854	RIM	1		X	(B) (380/90R50)
11	R108955	HUB	1	-XXXXXX	X	(B) (D) (H) (J) (20.8-38, 18.4-42, 20.8-42, 18.4-46, 650-34, 710-38)
	R127282	HUB	1	XXXXXX-	X	(B) (D) (I) (K) (20.8-38, 18.4-42, 20.8-42, 18.4-46, 650-34, 710-38)
	R111007	HUB	1		X	(B) (E) (650-34)
	R135866	HUB	1		X	(B)
12	R125475	PIN	2		X	
13	R111010	NUT	2		X	
14	R55151	PLUG	1		X	
15	AT25226	TIRE VALVE STEM	1		X	

(A)KEY HALF
CLAVETTE
KEILHALFTE
ROTEN DE LLOVE
CHIAVETTA
KONSPRINT

(B)FOR TIRE SIZE
POUR PNEUMATIQUES
FUER BEREIFUNG
PER PNEUMATICIA
PARA NEUMATICOS
FOR DACKSDIMENSION

(C)HEAVY-DUTY DUALS
ROUES JUMEELES POUR USAGE
HOCHLEISTUNGS-ZWILLINGSRA
GOMME GEMELLATE PER IMPIEGHI
RUEDAS DOBLES PARA SERVICIO
EXTRA KRAFTIGA DUBBELHJUL

(D)DUAL POSITION
POSITION DOUBLE
DOPPELSTELLUNG
POSIZIONE A RUOTE GEMELLATE
POSICION DOBLE
DUBBELINSTAELLNING

(E)DRIVE POSITION
POSITION D'ENTRAINEMENT
FAHRSTELLUNG
POSIZIONE A RUOTE SINGOLE
POSICION DE IMPULSION
DRIVINSTAELLNING

(F)100 MM AXLE
100 MM ESSIEU
100 MM ACHSE
100 MM ASSALE
100 MM EJE
100 MM AXEL

(G)110 MM AXLE
110 MM ESSIEU
110 MM ACHSE
110 MM ASSALE
110 MM EJE
110 MM AXEL

(J)BOLT TO HUB
BOULONNEE AU MOYEU
AN DER NABE GESCHRAUBT
FISSATO AL MOZZO
EMPERNADO A CUBO
FASTSATT PAA NAVET

(K)BOLT TO RIM
BOULONNEE A JANTE
AN DER NABE FELGE
FISSATO AL CERCHIONE
EMPERNADO A LLANTA
FASTSATT PAA FAELG

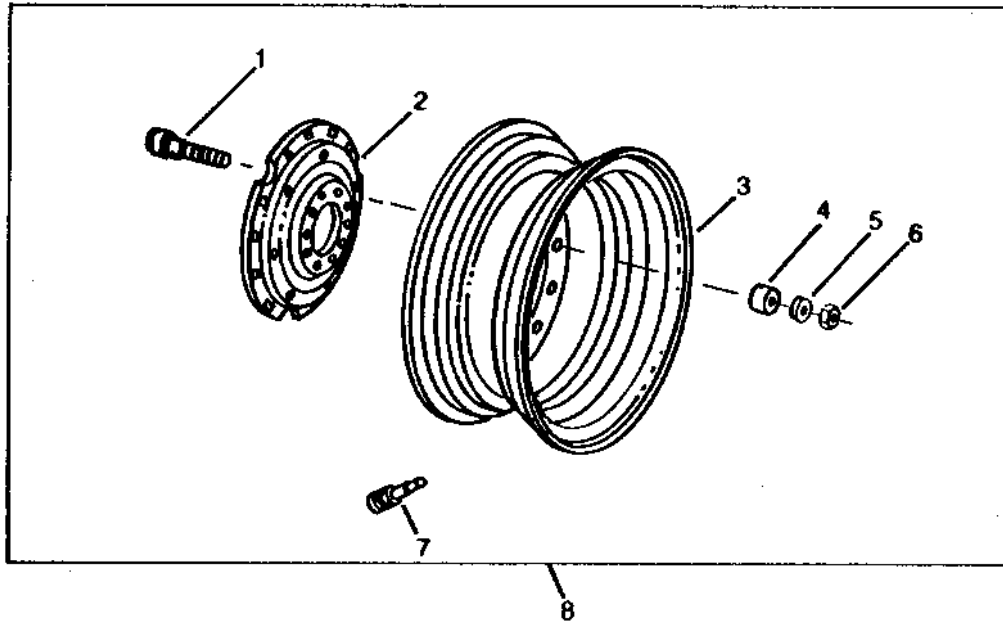
(H)(-XXXXXX) 8100-005032; 8200-003652; 8300-006115; 8400-006888

(I)(XXXXXX-) 8100-005033; 8200-003653; 8300-006116; 8400-006889

8E25

WHEEL, FRONT AXLES, SHEET METAL

MULTI-POSITION (DUALS)
 POSITIONS MULTIPLES (DOUBLES)
 MULTIPOSITION (DOPPEL RAEDERS)
 MULTIPOSIZIONE (DOPPIOS)
 MULTIPOSICION (DOBLES)
 MULTIPOSITION (DUBBLAS)
 RXP010402 -UN-01JAN94



RXP010402

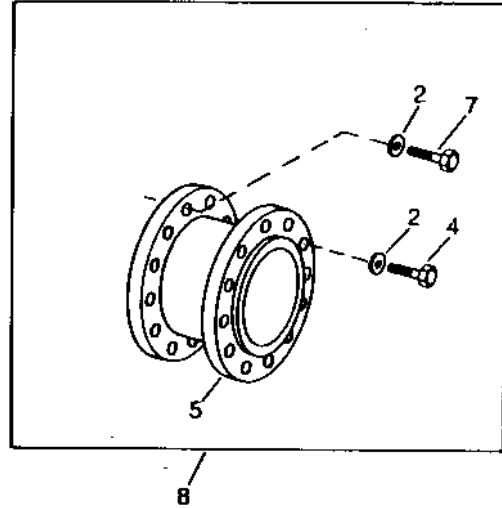
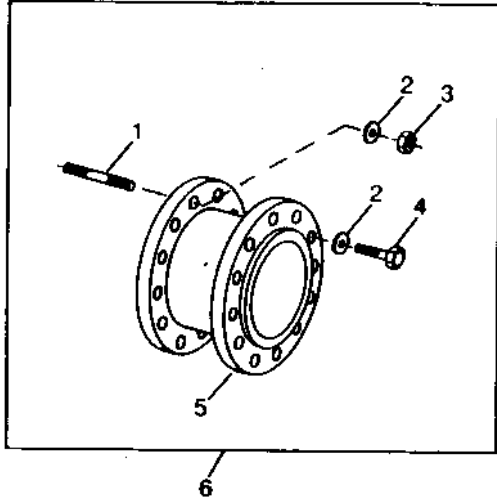
KEY	PART NO.	PART NAME	QTY	TRACTOR SERIAL NO.	A	
					L	REMARKS
1	R116570	BOLT	12		X	M22
2	R113459	DISK	1		X	(A) (14.9R46) (420/80R46) (320/90R50)
3	RE48145	RIM	1		X	(A) (14.9R46) (420/80R46)
	RE55071	RIM	1		X	(A) (320/90R50)
4	R113692	SPACER	12		X	(23.5 X 50 X 25.4 MM)
5	R113500	WASHER	12		X	(23 X 45 X 7.5 MM)
6	R114125	NUT	12		X	M22
7	AT25226	TIRE VALVE STEM	1		X	
8	RE51018	WHEEL	1		X	(A) (14.9R46)(420/80R46)

(A)FOR TIRE SIZE
 POUR PNEUMATIQUES
 FUER BERFEIFUNG
 PER PNEUMATICIA
 PARA NEUMATICOS
 FOR DACKSDIMENSION

8F1

WHEEL, FRONT AXLES, SHEET METAL

DUAL HUB EXTENSION (10-BOLT HUB ONLY)
 RALLONGE DE MOYEU DOUBLE (ROUE A 10 BOULONS UNIQUEMENT)
 NABENVERLAENGERUNG FUER DOPPELRAEDER (NUR FUER 10-SCHRAUBEN-NABE)
 ESTENSIONE PER DOPPIO MOZZO (10-BULLONE A COLONNETTA SOLTANTO)
 EXTENSION DE CUBO DOBLE (CUBO DE 10 BULONES SOLAMENTE)
 NAVFOERLAENGARE FOER DUBBLA HJUL (ENDAST NAV MED 10 BULTAR)
 RXP8048 -UN-01JAN94



RXP8048

KEY	PART NO.	PART NAME	QTY	TRACTOR SERIAL NO.	REMARKS	
					A	L
1	R104533	STUD	10	-XXXXXX	X	(A) M22, 5"
	R129605	STUD	10	XXXXXX-	X	(B) M22, 5"
2	R52006	WASHER	10		X	(USE WITH 14M7481)
	R77869	WASHER	10		X	(USE WITH R105572)
3	14M7481	FLANGE NUT	10		X	M22, M22, 5"
4	R105572	CAP SCREW	10		X	M22 X 50, HS 10.9
5	R89974	EXTENSION	1		X	5"
	R89973	EXTENSION	1		X	10"
	R105619	EXTENSION	1		X	13"
	R90917	EXTENSION	1		X	15"
6	RW26739	EXTENSION	2	-XXXXXX	X	(A) 5", KIT (FI)
	AR116387	EXTENSION	2	XXXXXX-	X	(B) 5" KIT (FI)
7	R106661	CAP SCREW	10	-XXXXXX	X	(A) 10", 13" & 15", M22 X 120, HS 10.9
	R111437	CAP SCREW	10	XXXXXX-	X	(B) 10", 13" & 15", M22 X 100, HS 10.9
8	RW27069	EXTENSION	2	-XXXXXX	X	(A) 10" KIT (FI)
	AR116388	EXTENSION	2	XXXXXX-	X	(B) 10" KIT (FI)
	AR109313	EXTENSION	2	-XXXXXX	X	(A) 13" KIT (FI)
	AR116389	EXTENSION	2	XXXXXX-	X	(B) 13" KIT (FI)
	RW27070	EXTENSION	2	-XXXXXX	X	(A) 15" KIT (FI)
	AR116390	EXTENSION	2	XXXXXX-	X	(B) 15" KIT (FI)

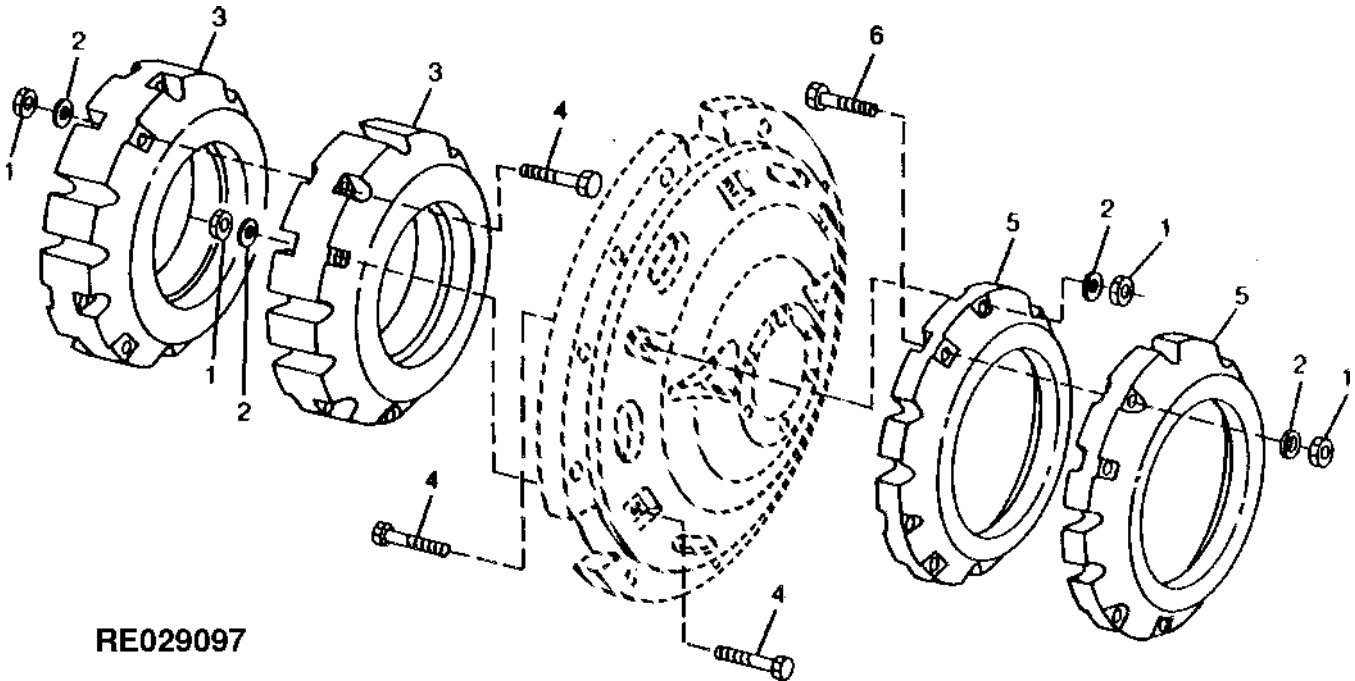
(A) (-XXXXXX) 8100-005032; 8200-003652; 8300-006115; 8400-006888
 (B) (XXXXXX-) 8100-005033; 8200-003653; 8300-006116; 8400-006889

8F2

WHEEL, FRONT AXLES, SHEET METAL

WEIGHTS FOR CAST AND HEAVY CAST REAR WHEELS
 MASSELOTES D'EQUILIRAGE POUR ROUES ARRIERES EN ALLIAGE ET ALLIAGE RENFORCE
 GEWICHTE FUER GUSSEISEN-RAEDER IN NORMALER UND SCHWERER AUSFUEHRUNG
 PESI PER RUOTE POSTERIORI IN METALO FUSO E METALLO FUSO PESANTE
 PESA PARA RUEDAS POSTERIORES DE FUNDICION Y FUNDICION PESADA
 VIKTER TILL GJUTNA OCH TUNGA, GJUTNA BAKHJUL

RE029097 -UN-11MAR98



RE029097

KEY	PART NO.	PART NAME	QTY	TRACTOR SERIAL NO.	REMARKS	
					A	L
1	14M7276	NUT	3		X	M16
2	24M7241	WASHER	3		X	17 X 34 X 4 MM
3	R111012	WEIGHT	1		X	205 KG (452 LBS)
	R111013	WEIGHT	1	-XXXXXX	X	(A) 680 KG (1500 LBS)
	R152116	WEIGHT	1	XXXXXX-	X	(B) 625 KG (1420 LBS)
4	R116179	BOLT	3		X	M16 X 160-10.9
5	R111011	WEIGHT	1		X	75 KG (165 LBS)
6	19M8019	CAP SCREW	3		X	M16 X 160

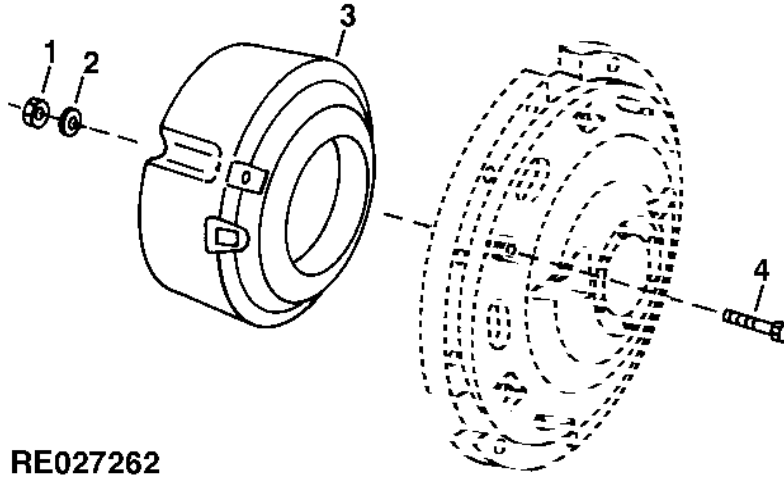
(A) (-XXXXXX) (8100-020594; 8200-020398; 8300-020822; 8400-020705)

(B) (XXXXXX-) (8100-020595; 8200-020399; 8300-020823; 8400-020706)

8F3

WHEEL, FRONT AXLES, SHEET METAL

WEIGHTS FOR CAST WHEELS
 MASSES D'ALOURDISSEMENT POUR ROUES EN FONTE
 GEWICHTE FUER GUSSRAEDER
 PESI PER RUOTE IN GHISA
 PESOS PARA RUEDAS FUNDIDAS
 VIKTER FOER GJUTNA HJUL
 RE027262 -UN-03OCT96



KEY	PART NO.	PART NAME	QTY	TRACTOR SERIAL NO.	A		REMARKS
					L	L	
1	14M7276	NUT	3		X		M16
2	24M7241	WASHER	3		X		17 X 34 X 4 MM
3	R111013	WEIGHT	1	-XXXXXX	X		(A) 680 KG (1420 LBS)
	R152116	WEIGHT	1	XXXXXX-	X		(B) 625 KG (1421 LBS)
4	R116179	BOLT	3		X		M16 X 160-10.9

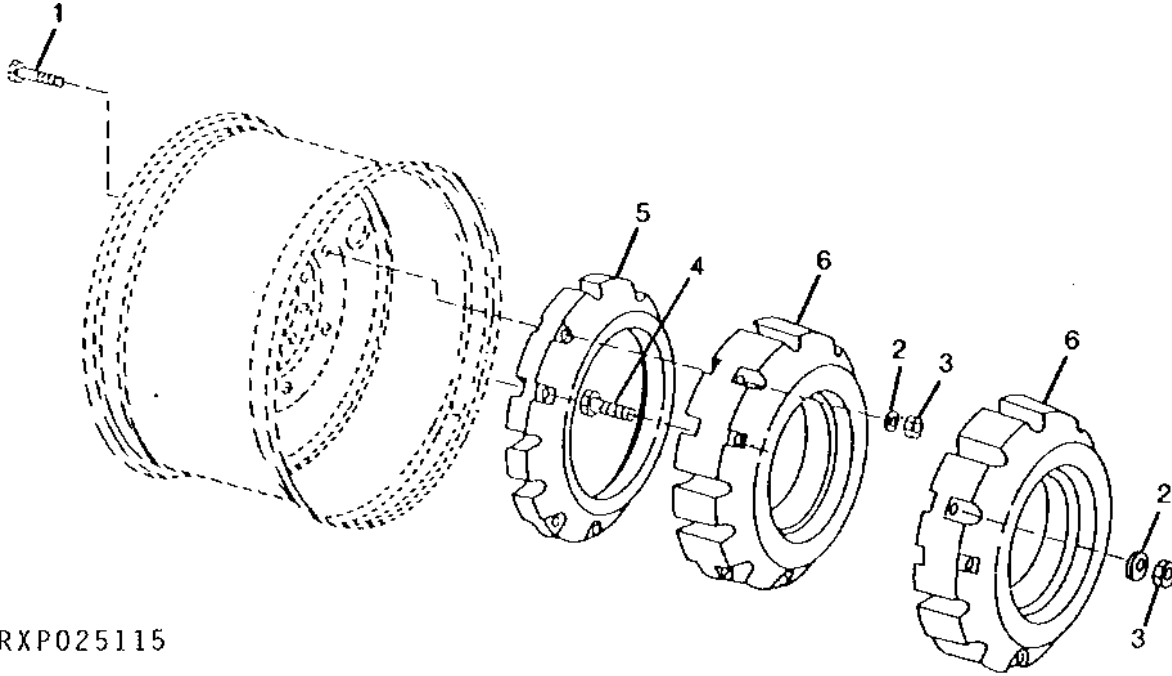
(A)(-XXXXXX) 8100-020594; 8200-020398; 8300-020822; 8400-020705
 (B)(XXXXXX-) 8100-020595; 8200-020399; 8300-020823; 8400-020706

8F4

WHEEL, FRONT AXLES, SHEET METAL

STEEL DISK REAR WHEEL WEIGHTS (10-BOLT HUB ONLY)(34",38",42",46" OR 50")(DUAL WHEELS)
 ROUES ARRIERE ACIER (ROUE A 10 BOULONS UNIQUEMENT)(34",38",42",46" OR 50")(DOUBLES)
 STAHL-HINTERRAEDER (NUR FUER 10-SCHRAUBEN-NABE)(34",38",42",46" OR 50")(DOPPEL RAEDERS)
 RUOTE POSTERIORI ACCIAIO (10-BULLONE A COLONNETTA SOLTANTO)(34",38",42",46" OR 50")(DOPPIOS)
 RUEDAS TRASERAS CON DISCO DE ACERO (CUBO DE 10 BULONES SOLAMENTE)(34",38",42",46" OR 50")(DOBLES)
 BAKHJUL MED STALDISK (ENDAST NAV MED 10 BULTAR)(34",38",42",46" OR 50")(DUBBLAS)

RXP025115 -UN-01JAN94



RXP025115

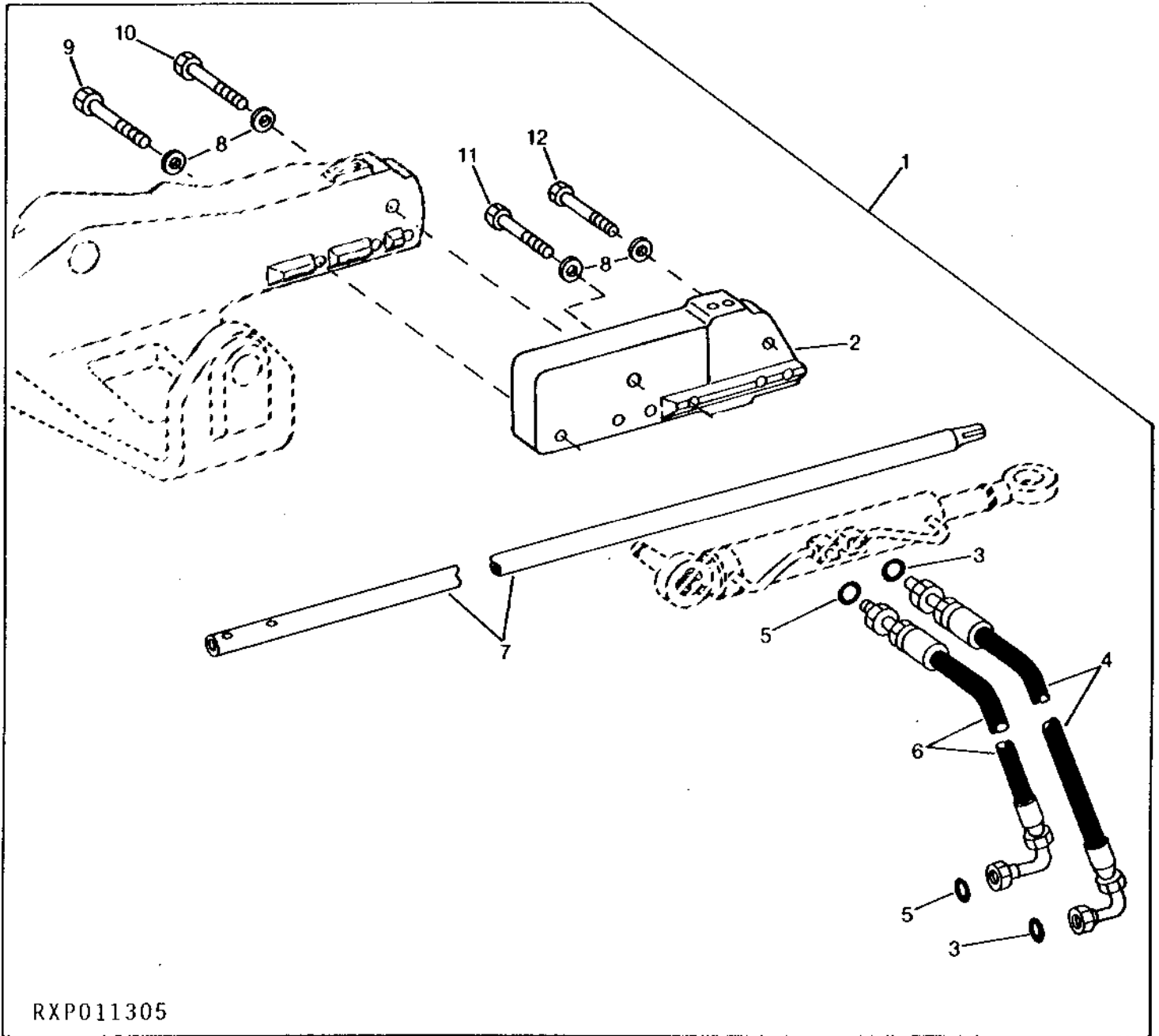
KEY	PART NO.	PART NAME	QTY	TRACTOR SERIAL NO.	A	
					L	REMARKS
1	R116180	BOLT	3		X	M16 X 180
2	24M7241	WASHER	3		X	17 X 34 X 4 MM
3	14M7276	NUT	3		X	M16
4	R116179	BOLT	3		X	M16 X 160
5	R111011	WEIGHT	1		X	75KG (165 LB)
6	R111012	WEIGHT	1		X	205KG (450 LB)

MEMORANDA
MEMORANDA
MEMORANDA
MEMORANDA
MEMORANDA

8F5

WHEEL, FRONT AXLES, SHEET METAL

EXTENSION, ADJUSTABLE FRONT AXLE (8100, 8200, 8300)
EXTENSION, ESSIEU AVANT REGLABLE (8100, 8200, 8300)
VERLAENGERUNG, EINSTELLBARE VORDERACHSE (8100, 8200, 8300)
ESTENSIONE, ASSALE ANTERIORE REGOLABILE (8100, 8200, 8300)
EXTENSION DEL EJE DELANTERO AJUSTABLE (8100, 8200, 8300)
SKARVSTYCKE, REGLERBAR FRAMAXEL (8100, 8200, 8300)
RXP011305 -UN-01JAN94



RXP011305

8F6

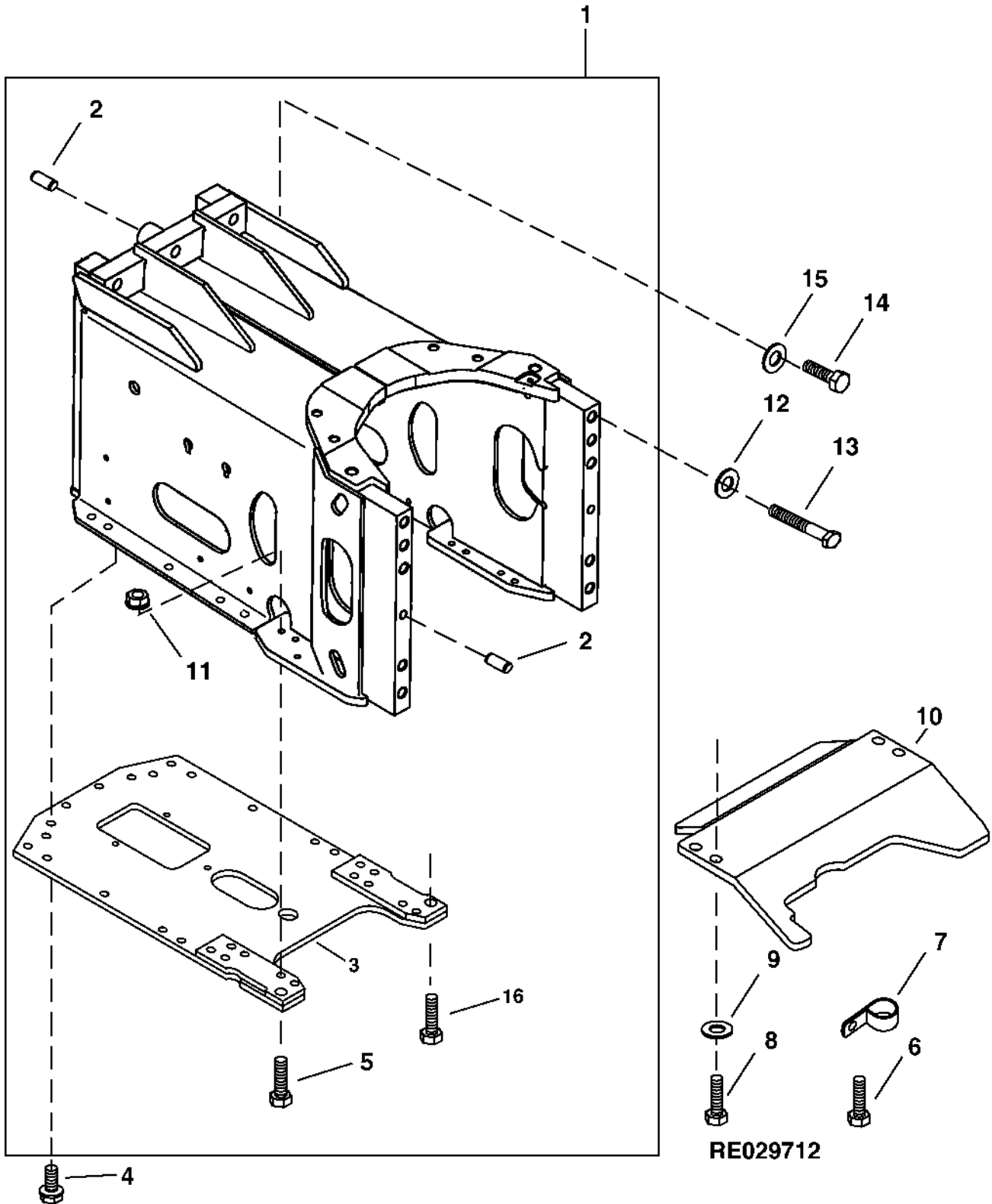
WHEEL, FRONT AXLES, SHEET METAL

KEY	PART NO.	PART NAME	QTY	TRACTOR			REMARKS
				SERIAL NO.	8 8 8	1 2 3	
1	RE58533	EXTENSION	1		X X X	(FI)	
2	L76619	EXTENSION	1		X X X	R.H.	
	L76620	EXTENSION	1		X X X	L.H.	
3	T77613	O-RING	4		X X X		
4	RE61755	HYDRAULIC HOSE	2		X X X		
5	T77857	O-RING	4		X X X		
6	RE61754	HYDRAULIC HOSE	2		X X X		
7	R122359	TUBE	1		X X X		
8	24M7242	WASHER	8		X X X	21.400 X 42 X 5 MM	
9	19M7883	SCREW	4		X X X	M20 X 120	
10	19M8503	CAP SCREW	4		X X X	M20 X 160	
11	19M7969	CAP SCREW	2		X X X	M20 X 110	
12	19M7907	SCREW	2		X X X	M20 X 140	

8F7

WHEEL, FRONT AXLES, SHEET METAL

MIDFRAME ASSEMBLY
ENSEMBLE DE CHASSIS CENTRAL
MITTELRAHMEN-EINHEIT
COMPLESSO A META' TELAIO
CONJUNTO DEL BASTIDOR CENTRAL
MITTENRAMENHET
RE029712 -UN-13JUL98



8F8

WHEEL, FRONT AXLES, SHEET METAL

KEY	PART NO.	PART NAME	QTY	TRACTOR SERIAL NO.	A L L	REMARKS
1	RE63215	FRAME	1	-XXXXXX	X	(A) (SUB FOR RE61043)
	RE64475	FRAME	1	XXXXXX-XXXXXX	X	(B) (C)
	RE67617	FRAME	1	XXXXXX-XXXXXX	X	(D) (E) (SUB RE155953 AND R157605)
	RE155953	FRAME	1	XXXXXX-	X	(F)
2	R54380	DOWEL PIN	4		X	
3	R112855	PLATE	1	-XXXXXX	X	(C) (SUB R132322) LOW
	R132322	PLATE	1	XXXXXX-XXXXXX	X	(D) (E) LOW
	RE156238	PLATE	1	XXXXXX-	X	(F) (ALSO ORDER (6) 19M7789, (6) 14M7299, (12) 19M7791, (2) 19M7950 AND (2) 24M7242)
4	19M7789	SCREW	14		X	M12 X 30, HS 10.9
	19M7787	SCREW	2		X	
5	19M7787	SCREW	10	-XXXXXX	X	(E) M12 X 20, HS 10.9
	19M7790	SCREW	8	XXXXXX-	X	(F) M12 X 35, (SUB FOR 19M7791)
6	37M7087	SCREW	1	-XXXXXX	X	(A) M10 X 25
	37M7086	SCREW	1	XXXXXX-XXXXXX	X	(B) (C) M10 X 20
	37M7087	SCREW	1	XXXXXX-	X	(D) M10 X 25
7	R109479	CLAMP	1		X	
8	19M7386	CAP SCREW	24		X	M12 X 20
9	24M7047	WASHER	24		X	13 X 24 X 2.500 MM
10	R124353	SHIELD	1	-XXXXXX	X	(E)
	R157605	SHIELD	1	XXXXXX-	X	(F)
11	14M7299	FLANGE NUT	10	-XXXXXX	X	(E) M12
	14M7299	FLANGE NUT	14	XXXXXX-	X	(F) M12
12	24M7242	WASHER	10		X	21.400 X 42 X 5 MM
13	19M8100	CAP SCREW	10		X	M20 X 180
14	19M7969	CAP SCREW	13		X	M20 X 110, HS 10.9
15	24M7242	WASHER	13		X	21.400 X 42 X 5 MM
16	19M7950	CAP SCREW	2	XXXXXX-	X	(F) M20 X 45

(A) (-XXXXXX) 8100-002991; 8200-002359; 8300-004107; 8400-002672
 (B) (XXXXXX-) 8100-002992; 8200-002360; 8300-004108; 8400-002673

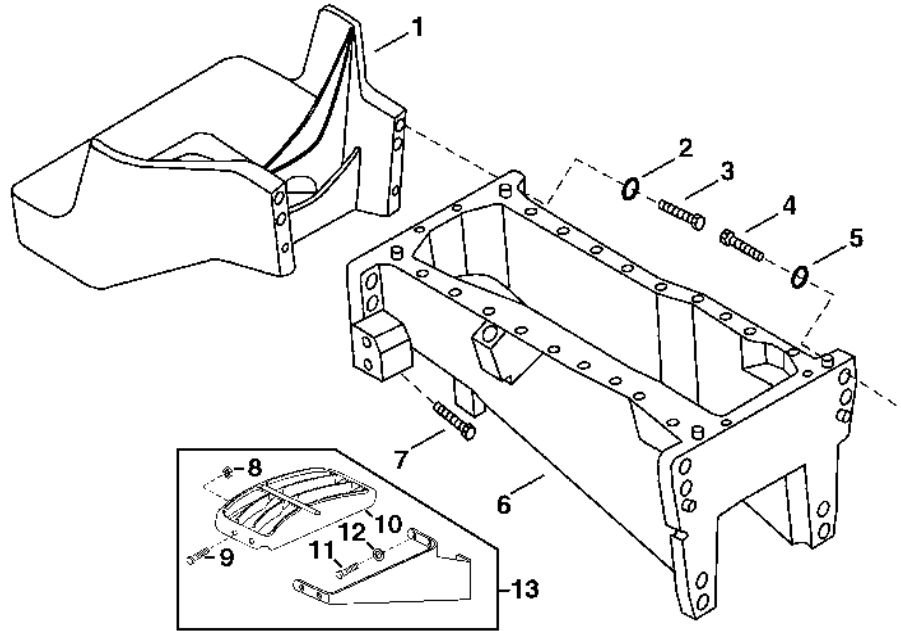
(C) (-XXXXXX) 8100-005812; 8200-004066; 8300-006829; 8400-007527
 (D) (XXXXXX-) 8100-005813; 8200-004067; 8300-006830; 8400-007528

(E) (-XXXXXX) 8100-021430; 8200-021231; 8300-022158; 8400-022732
 (F) (XXXXXX-) 8100-021431; 8200-021232; 8300-022159; 8400-022733

8F9

WHEEL, FRONT AXLES, SHEET METAL

FRONT FRAME AND FRONT SUPPORT
 CHASSIS AVANT ET AVANT
 VORDERRAHMEN UND VORDERE STUETZE
 TELAIO ANTERIORE SUPPORTO ANTERIORE
 BASTIDOR DELANTERO SOPORTE DELANTERO
 FRAEMRE RAM, STOED FRAM
 RE030434 -UN-08MAR99



RE030434

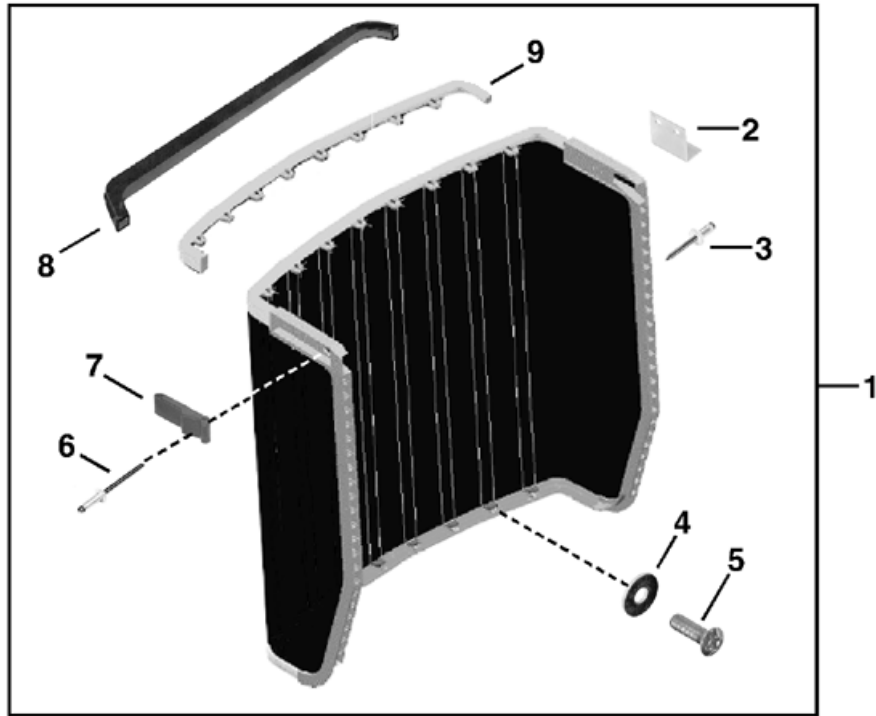
KEY	PART NO.	PART NAME	QTY	TRACTOR SERIAL NO.	A		REMARKS
					L	L	
1	R124715	SUPPORT	1	-XXXXXX	X	(A)	(SUB R127240) (ALSO ORDER (4) 19M7402)
	R127240	SUPPORT	1	XXXXXX-	X	(B)	
2	24M7242	WASHER	6		X		21.400 X 42 X 5 MM
3	19M7963	CAP SCREW	4	-XXXXXX	X	(C)	M20 X 100, HS 10.9
	19M7963	CAP SCREW	6	XXXXXX-	X	(D)	
4	19M7963	CAP SCREW	10		X		M20 X 100, HS 10.9
5	24M7242	WASHER	10		X		21.400 X 42 X 5 MM
6	RE71509	OIL PAN	1		X		(SUB FOR RE50889)
7	19M7969	CAP SCREW	2	-XXXXXX	X	(C)	M20 X 110
	19M7969	CAP SCREW	4	XXXXXX-	X	(D)	M20 X 110
8	K40003	LOCK NUT	4		X		
9	19H2676	CAP SCREW	4		X		3/8" X 1"
10	R151799	STEP	1		X		
11	19M7946	CAP SCREW	2		X		M20 X 40
12	24M7344	WASHER	2		X		22 X 37 X 3 MM
13	RE162261	STEP	1		X		

- (A) (-XXXXXX) 8100-002318; 8200-001994; 8300-003485; 8400-002321
 (B) (XXXXXX-) 8100-002319; 8200-001995; 8300-003486; 8400-002322
 (C) (-XXXXXX) 8100-020918; 8200-020739; 8300-021348; 8400-021416
 (D) (XXXXXX-) 8100-020919; 8200-020740; 8300-021349; 8400-021417

8F10

WHEEL, FRONT AXLES, SHEET METAL

GRILLE SCREEN
 GRILLE DE CALANDRE
 KUEHLERGITTER
 GRIGLIA
 REJILLA DE LA PARRILLA
 KYLARGALLERSKAERM
 RE026095 -UN-13MAR95



RE026095

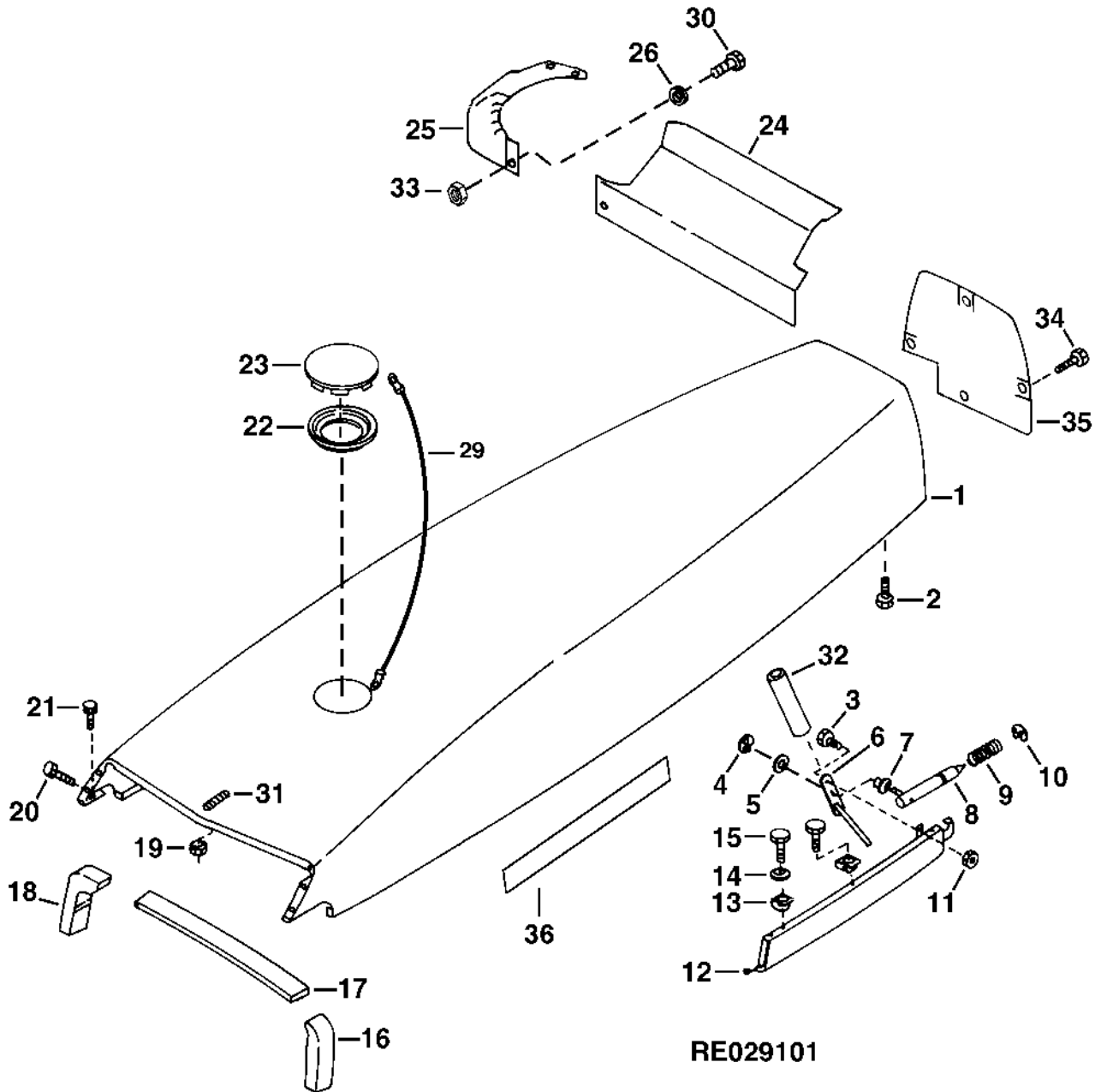
KEY	PART NO.	PART NAME	QTY	TRACTOR SERIAL NO.	A	REMARKS
					L	
1	RE58883	SCREEN	1		X	
2	R124304	SUPPORT	2		X	
3	R125955	RIVET	14		X	(SUB FOR R55427)
4	24M7146	WASHER	16		X	4.300 X 12 X 1 MM, (NLR)
5	37H47	SCREW	16		X	
6	AT56660	RIVET	4		X	
7	RE55737	LATCH	2		X	
8	R122030	SEAL	1		X	
9	R127887	DEFLECTOR	1		X	(SUB FOR RE55737)

8F11

WHEEL, FRONT AXLES, SHEET METAL

HOOD
CAPOT
HAUBE
COFANO
CAPO
HUV
RE029101

-UN-10MAR98



8F12

WHEEL, FRONT AXLES, SHEET METAL

KEY	PART NO.	PART NAME	QTY	TRACTOR SERIAL NO.	A L L	REMARKS
1	RE44353	HOOD	1	-009999	X	
	RE66577	HOOD	1	010000-	X	
2	19M8300	SCREW	2		X	M8 X 40
3	R113221	SCREW	2		X	
4	40M7042	SNAP RING	2		X	(SUB FOR R72655) (SUB R31935)
5	24H1283	WASHER	2		X	7/32" X 1/2" X 0.049"
6	RE61062	HANDLE	1	-XXXXXX	X	(A) R.H.
	RE63580	HANDLE	1	XXXXXX-	X	(B) R.H.
	RE61063	HANDLE	1	-XXXXXX	X	(A) L.H.
	RE63581	HANDLE	1	XXXXXX-	X	(B) L.H.
7	R124782	BUSHING	2		X	
8	RE63551	PIN	2		X	(SUB FOR RE61064)
9	R124781	SPRING	2		X	
10	R72655	SNAP RING	2		X	
11	14M7303	FLANGE NUT	2		X	M6
12	RE71343	PANEL	1		X	(SUB FOR RE61060) R.H.
	RE71341	PANEL	1		X	(SUB FOR RE61061) L.H.
13	M84972	NUT	4		X	
14	24M7088	WASHER	4		X	6.600 X 12 X 1.600 MM
15	19M7560	CAP SCREW	4		X	M6 X 16
16	R124758	FOAM PAD	1		X	L.H.
17	R124756	FOAM PAD	1		X	
18	R124757	FOAM PAD	1		X	R.H.
19	R107957	NUT	2		X	
20	19M6614	CAP SCREW	4		X	M6 X 12
21	19M7297	CAP SCREW	4		X	M8 X 12
22	R124515	GROMMET	1		X	
23	R121715	FILLER CAP	1		X	
24	R124419	SHIELD	1		X	UP
25	R124418	SHIELD	1		X	
26	24M7088	WASHER	5		X	6.600 X 12 X 1.600 MM
27	19M8827	SCREW	1		X	M6 X 130
28	28H3403	BUSHING	1		X	0.269" X 0.405" X 4.090"
29	R121762	CABLE	1		X	(ALSO ORDER (2) R55427)
30	19M7560	CAP SCREW	5		X	M6 X 16
31	R95654	MOLDING	1		X	(ALSO ORDER R150800)
32	R126490	HOSE	1	-XXXXXX	X	(F)
33	R120332	NUT	1		X	
34	37H209	SCREW	3	010000-	X	0.190" X 1/2"
35	R131226	REINFORCEMENT	1	010000-XXXXXX	X	(C)
	R136111	REINFORCEMENT	1	XXXXXX-	X	(D)
36	R150005	INSULATOR	1	XXXXXX-	X	(E)

(A) (-XXXXXX) 8100-001621; 8200-001566; 8300-002743; 8400-001325

(B) (XXXXXX-) 8100-001622; 8200-001567; 8300-002744; 8400-001326

(C) (-XXXXXX) 8100-012304; 8200-011925; 8300-012560; 8400-012539

(D) (XXXXXX-) 8100-012305; 8200-011926; 8300-012561; 8400-012540

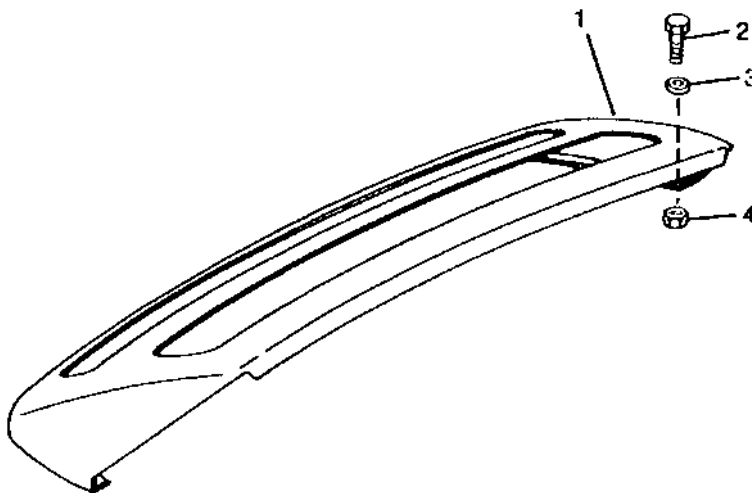
(E) (XXXXXX-) 8100-012825; 8200-012302; 8300-013246; 8400-013221

(F) (-XXXXXX) 8100-02197; 8200-021497; 8300-022748; 8400-023358

8F13

WHEEL, FRONT AXLES, SHEET METAL

HOOD EXTENSION
 RALLONGE DE CAPOT
 HAUBENVERLAENGERUNG
 PROLUNGA DEL COFANO
 EXTENSION DEL CAPO
 HUVFOERLAENGNING
 RE026391 -UN-07JUL95



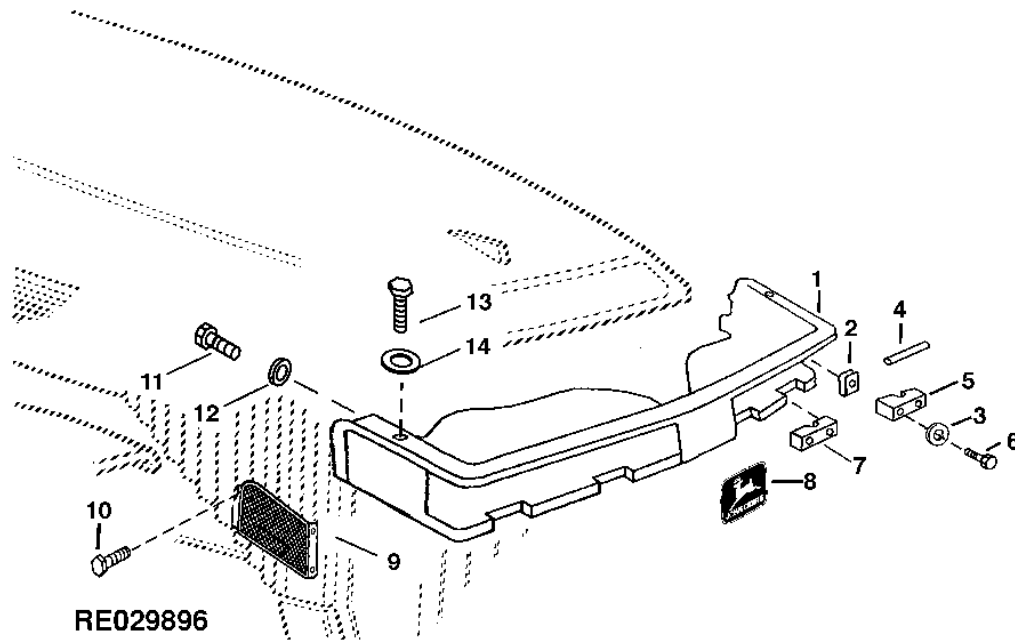
RE026391

KEY	PART NO.	PART NAME	QTY	TRACTOR SERIAL NO.	A	REMARKS
					L	
1	RE62107	EXTENSION	1		X	
2	19M7560	CAP SCREW	9		X	M6 X 16
3	24M7088	WASHER	9		X	6.600 X 12 X 1.600 MM
4	M84972	NUT	9		X	

8F14

WHEEL, FRONT AXLES, SHEET METAL

HEADLIGHT HOUSING
 LOGEMENT DE PHARE
 SCHEINWERFERGEHAEUSE
 ALLOGGIAMENTO DEI FARI
 CAJA DEL FARO
 STRAALKASTERHUS
 RE029896 -UN-29SEP98

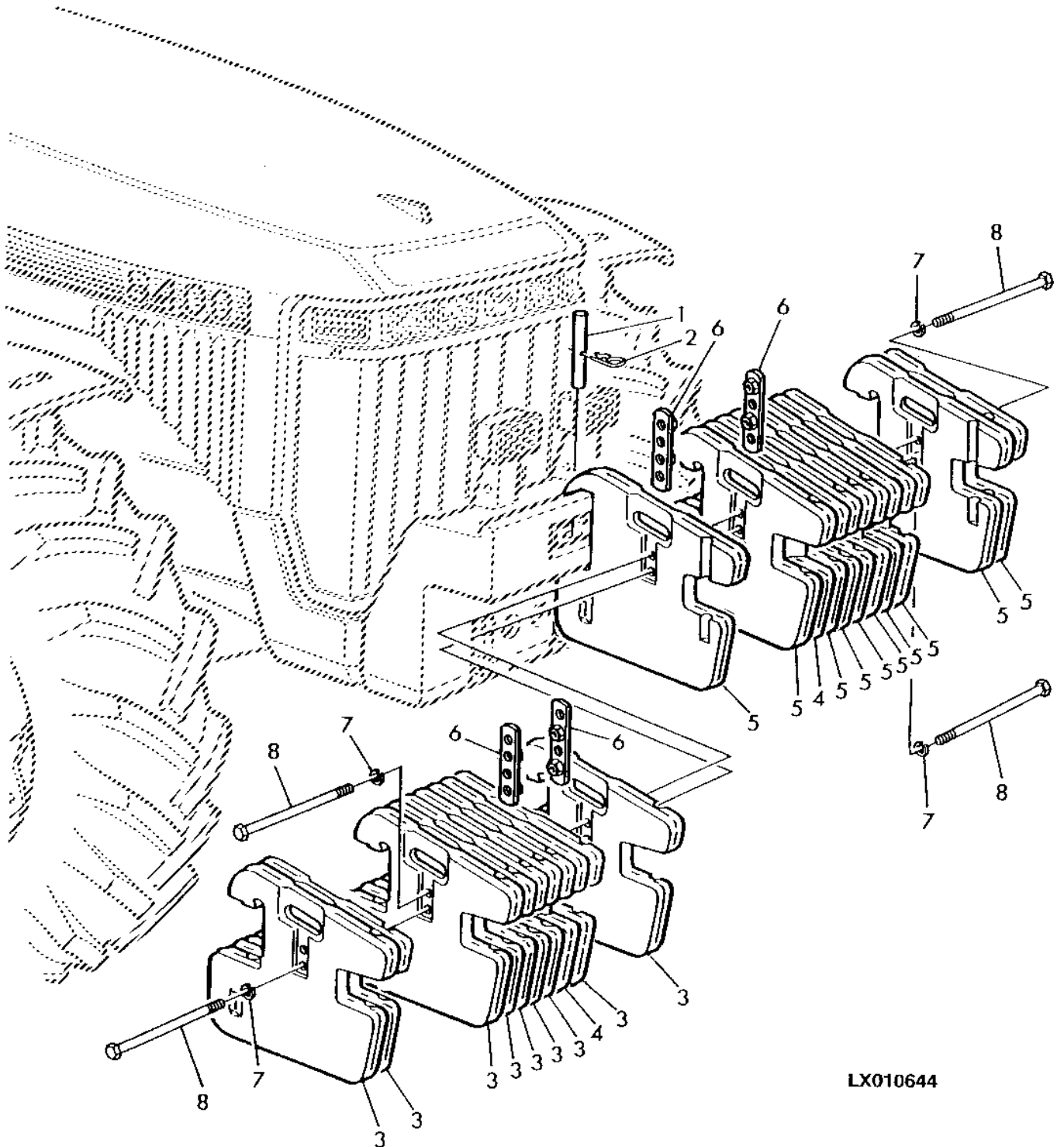


KEY	PART NO.	PART NAME	QTY	TRACTOR SERIAL NO.	A	
					L	REMARKS
1	R126777	HOUSING	1		X	(SUB FOR R114561)
2	R106529	NUT	8		X	(USE WITH R126777)
	14M7360	LOCK NUT	8		X	M5, (USE WITH R114561)
3	24M7117	WASHER	8		X	4.300 X 9 X 0.800 MM
4	R43244	NEEDLE ROLLER	4		X	
5	R124557	SUPPORT	1		X	R.H.
	R124559	SUPPORT	1		X	L.H.
6	21M7022	SCREW	8		X	M5 X 20
7	R124556	SUPPORT	1		X	R.H.
	R124558	SUPPORT	1		X	L.H.
8	RE65579	LABEL	1		X	(SUB FOR RE34995, RE65218 OR RE67664)
9	R124754	REFLECTOR	1		X	R.H.
	R124755	REFLECTOR	1		X	L.H.
10	37M7033	SCREW	4		X	
11	M117141	SCREW	2		X	
12	24M7088	WASHER	2		X	6.600 X 12 X 1.600 MM
13	19M7768	SCREW	4		X	M6 X 16
14	24M7088	WASHER	4		X	6.600 X 12 X 1.600 MM

8F15

WHEEL, FRONT AXLES, SHEET METAL

FRAME WEIGHTS (EUROPEAN VERSION)
MASSES D'ALOURDISSEMENT (VERSION EUROPEENE)
RAHMENGEWICHTE (EUROPAEISCHE AUSFUEHRUNG)
ZAVORRE ANTERIOR (VERSIONE EUROPEA)
CONTRAPESOS PARA EL BASTIDOR (VERSION EUROPEA)
FRONTVIKTER (EUROPEISK VERSION)
LX010644 -UN-24JAN96



LX010644

8F16

WHEEL, FRONT AXLES, SHEET METAL

KEY	PART NO.	PART NAME	QTY	TRACTOR SERIAL NO.	A L L	REMARKS
1	T32146	PIN	1		X	
2	L12491	SPRING LOCKING PIN	1		X	
3	L38450	WEIGHT	9		X	
4	L38451	WEIGHT	2		X	
5	L38449	WEIGHT	9		X	(NLA)
6	AR68801	RETAINER	4		X	
7	12M7044	LOCK WASHER	4		X	18.500 MM
8	08H4482	CAP SCREW	4		X	(A) 5/8" X 12"

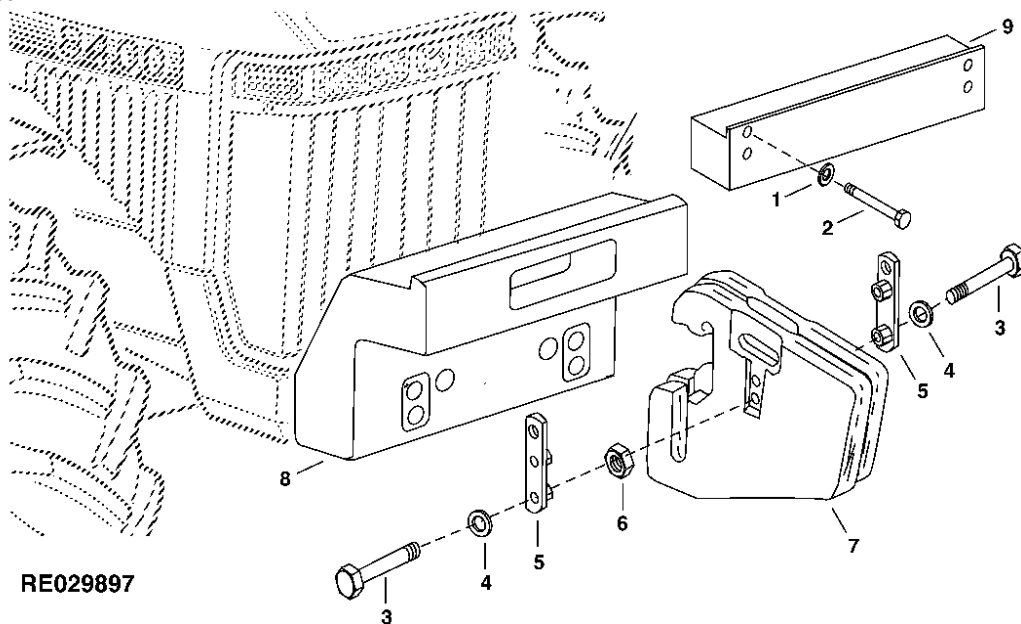
(A)20 WEIGHTS
20 MASSE ADDITIONNELLE
20 GEWICHT
20 ZAVORRA
20 LASTRE
20 VIKT

8F17

WHEEL, FRONT AXLES, SHEET METAL

FRAME WEIGHTS/FRONT WEIGHT SUPPORT
 MASSES D'ALOURDISSEMENT/SUPPORT DE MASSES AVANT
 RAHMENGEWICHTE/FRONTGEWICHTSTUETZE
 ZAVORRE ANTERIOR/SUPPORTO ANTERIORE DEL PESO
 CONTRAPESOS PARA EL BASTIDOR/SOPORTE DEL PESO DELANTERO
 FRONTVIKTER/STOED FOER FRAMVIKTER

RE029897 -UN-09SEP98



KEY	PART NO.	PART NAME	QTY	TRACTOR SERIAL NO.	A L L	REMARKS
1	24M7344	WASHER	4		X	0.866" X 1.457" X 0.118"
2	19M7892	CAP SCREW	4	-XXXXXX	X	M20 X 80
	19M7921	CAP SCREW	4	XXXXXX-	X	M20 X 150
3	08H4248	CAP SCREW	2	-XXXXXX	X	(C) 5/8" X 8-1/2"
	R59761	CAP SCREW	2	-XXXXXX	X	(D)
	R161069	CAP SCREW	2	XXXXXX-	X	(D) 5/8" X 19"
	08H4225	CAP SCREW	2	XXXXXX-	X	(C) 5/8" X 11-1/2"
4	24M7241	WASHER	4		X	17 X 34 X 4 MM
5	AR68801	RETAINER	2		X	
6	R82549	SUPPORT	1		X	(B)
7	R127764	WEIGHT	20		X	(SUB FOR R116262)
8	R124518	SUPPORT	1		X	(A)

(A)EUROPEAN VERSION
 VERSION EUROPEENNE
 EUROPÄISCHE AUSFUEHRUNG
 VERSIONE EUROPEA
 VERSION EUROPEA
 EUROPEISK VERSION

(B)NORTH AMERICAN VERSION
 VERSION NORD AMERICAINE
 NORDAMERIKANISCHE
 VERSIONE NORDAMERICANA
 VERSION NORTEAMERICANA
 NORDAMERIKANSK VERSION

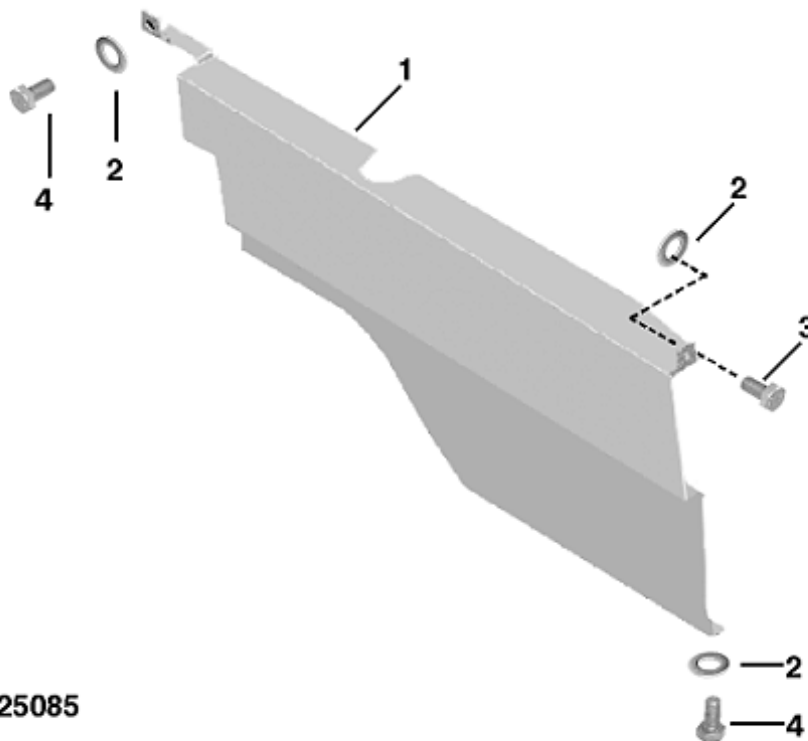
(C)8-12 WEIGHTS
 8-12 MASSE ADDITIONNELLE
 8-12 GEWICHT
 8-12 ZAVORRA
 8-12 LASTRE
 8-12 VIKA

(D) 16-20 WEIGHTS
 16-20 MASSE ADDITIONNELLE
 16-20 GEWICHT
 16-20 ZAVORRA
 16-20 LASTRE
 16-20 VIKA

8F18

WHEEL, FRONT AXLES, SHEET METAL

FRONT FRAME COVER (8100, 8200, 8300)
 COUVERTURE DE CHASSIS AVANT (8100, 8200, 8300)
 VORDERE RAHMENABDECKUNG (8100, 8200, 8300)
 COPERTURA DEL TELAIO ANTERIORE (8100, 8200, 8300)
 CUBIERTA DEL BASTIDOR DELANTERO (8100, 8200, 8300)
 FRAEMRE RAMKAAPA (8100, 8200, 8300)
 RXP025085 -UN-01JAN94



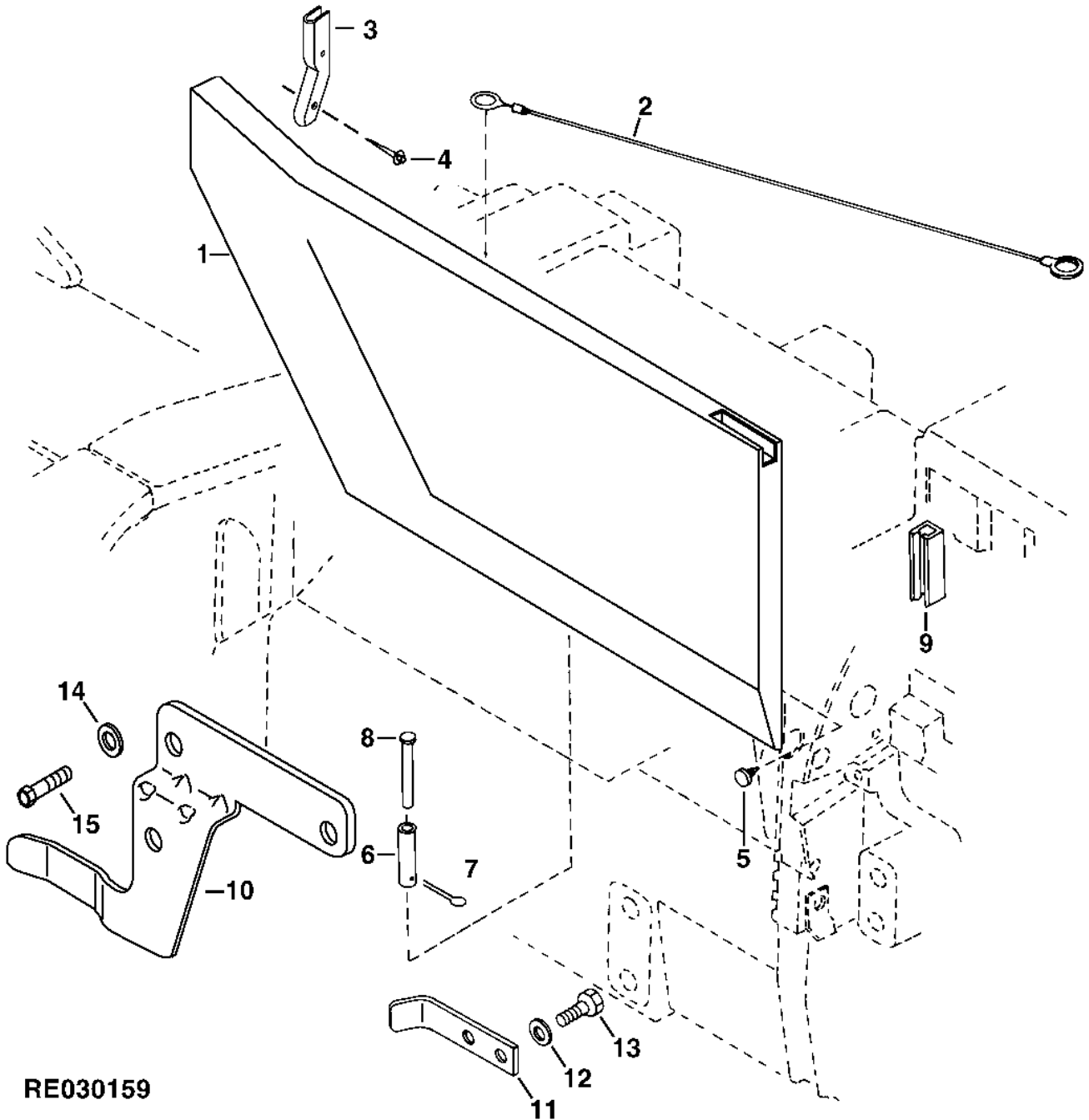
RXP025085

KEY	PART NO.	PART NAME	QTY	TRACTOR SERIAL NO.	8 8 8 1 2 3 0 0 0 0 0 0	REMARKS
1	RE61795	COVER	1		X X X	R.H.
	RE61796	COVER	1		X X X	L.H.
2	24M7028	WASHER	6		X X X	10.500 X 20 X 2 MM
3	19M7167	CAP SCREW	2		X X X	M10 X 25
4	19M7166	CAP SCREW	4		X X X	M10 X 20

8F19

WHEEL, FRONT AXLES, SHEET METAL

ENGINE SIDE SHIELDS
PANNEAUX LATÉRAUX DU MOTEUR
MOTORSEITENBLECHE
SCHERMI LATERALI DEL MOTORE
ESCUDOS LATERALES DEL MOTOR
MOTORNS SIDSKYDDSPLAATAR
RE030159 -UN-17NOV98



RE030159

8F20

WHEEL, FRONT AXLES, SHEET METAL

KEY	PART NO.	PART NAME	QTY	TRACTOR SERIAL NO.	A		REMARKS
					L	L	
1	RE61088	SHIELD	1	-009999	X		R.H. (SUB RE69078)
	RE71219	SHIELD	1	010000-	X		R.H. (SUB FOR RE69078)
	RE71218	SHIELD	1		X		L.H. (SUB FOR RE61089)
2	R121626	CABLE	1		X		
3	R126805	COVER	1		X		(SUB FOR R124951)
4	AT56660	RIVET	2		X		
5	T22085T	BUMPER	1		X		
6	R120134	SPACER	2		X		
7	11M7012	COTTER PIN	2		X		3.200 X 16 MM
8	R121660	PIN	2		X		
9	RE62489	MOLDING	1		X		
10	R136260	BRACKET	1	-XXXXXX	X		(A) (SUB FOR R124823) R.H., FRONT
	R135810	BRACKET	1	XXXXXX-	X		(B) R.H., FRONT
	R124824	BRACKET	1	-XXXXXX	X		(A) (SUB R135811) L.H., FRONT
	R135811	BRACKET	1	XXXXXX-	X		(B) L.H., FRONT
11	R120133	SUPPORT	1		X		R.H., REAR
12	24M7346	WASHER	2		X		11 X 20 X 2 MM
13	19M7167	CAP SCREW	2		X		M10 X 25
14	24M7240	WASHER	2		X		13 X 25 X 3 MM
15	19M7872	CAP SCREW	2		X		M12 X 25

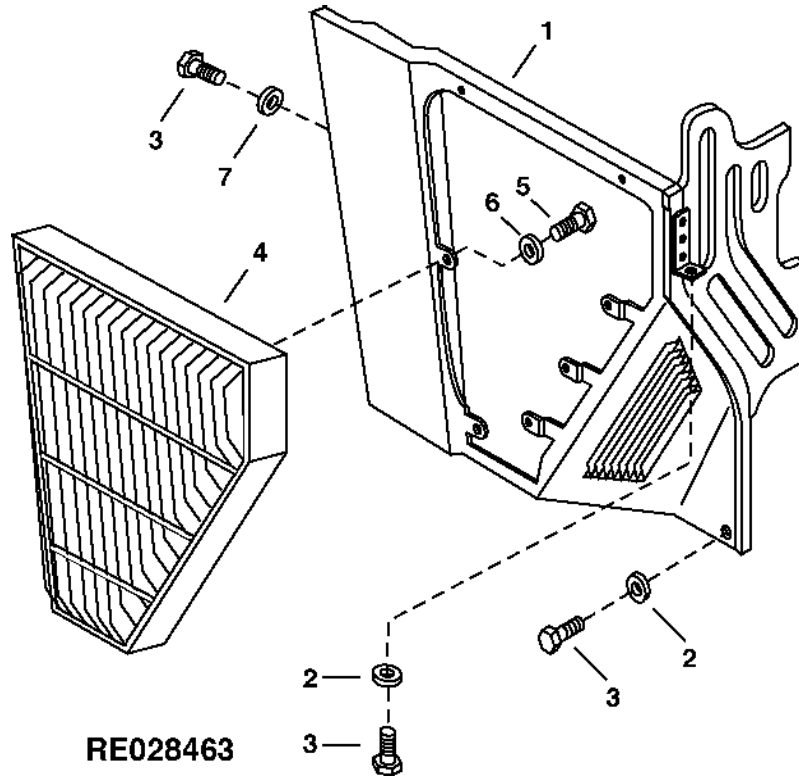
(A) (-XXXXXX) 8100-013009; 8200-012469; 8300-013491; 8400-013415

(B) (XXXXXX-) 8100-013010; 8200-012470; 8300-013492; 8400-013416

8F21

WHEEL, FRONT AXLES, SHEET METAL

SIDE PANEL (8100, 8200, 8300)
 PANNEAUX LATERAUX (8100, 8200, 8300)
 SEITENVERKLEIDUNGEN (8100, 8200, 8300)
 PANNELLI LATERALI (8100, 8200, 8300)
 PANELES LATERALES (8100, 8200, 8300)
 SIDBEKLAEDNAD (8100, 8200, 8300)
 RE028463 -UN-27OCT97



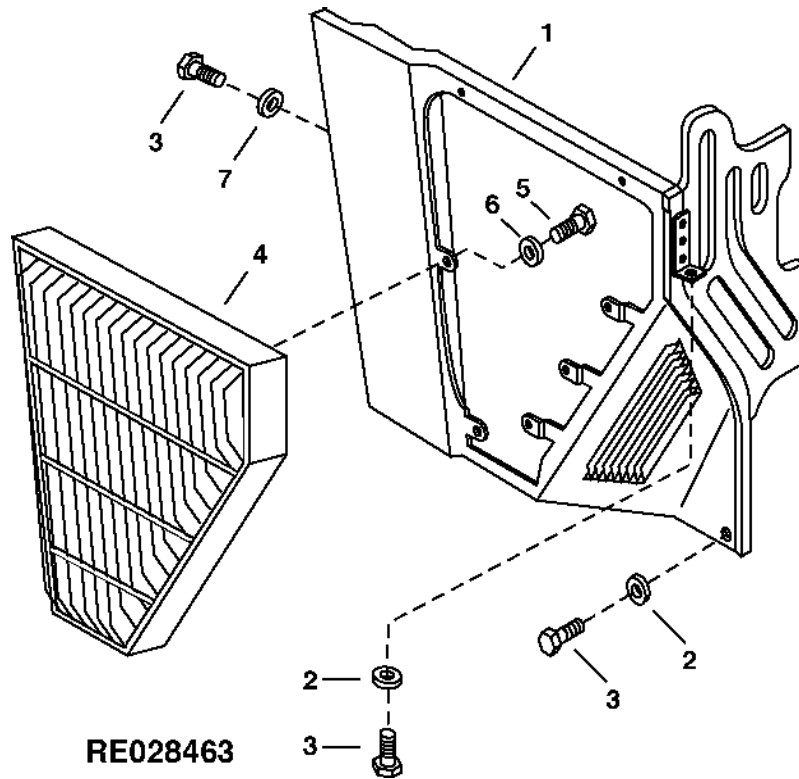
RE028463

KEY	PART NO.	PART NAME	QTY	TRACTOR SERIAL NO.	8 8 8			REMARKS
					1	2	3	
1	RE69771	PANEL	1	-009999	X	X	X	(SUB FOR RE60821) R.H.
	RE69037	PANEL	1	010000-	X	X	X	R.H.
	RE69795	PANEL	1	-009999	X	X	X	(SUB FOR RE60822) L.H.
	RE69036	PANEL	1	010000-	X	X	X	L.H.
2	24M7055	WASHER	2		X	X	X	8.400 X 16 X 1.600 MM
3	19M7881	SCREW	3		X	X	X	M8 X 20
4	R120157	LOUVER	1	-009999	X	X	X	R.H.
	R131807	LOUVER	1	010000-	X	X	X	R.H.
	R120158	LOUVER	1	-009999	X	X	X	L.H.
	R131808	LOUVER	1	010000-	X	X	X	L.H.
5	24M7146	WASHER	7		X	X	X	4.300 X 12 X 1 MM
6	37M7033	SCREW	7		X	X	X	
7	24M7298	WASHER	2		X	X	X	8.400 X 25 X 2 MM

8F22

WHEEL, FRONT AXLES, SHEET METAL

SIDE PANEL (8400)
 PANNEAUX LATERAUX (8400)
 SEITENVERKLEIDUNGEN (8400)
 PANNELLI LATERALI (8400)
 PANELES LATERALES (8400)
 SIDBEKLAEDNAD (8400)
 RE028463 -UN-27OCT97



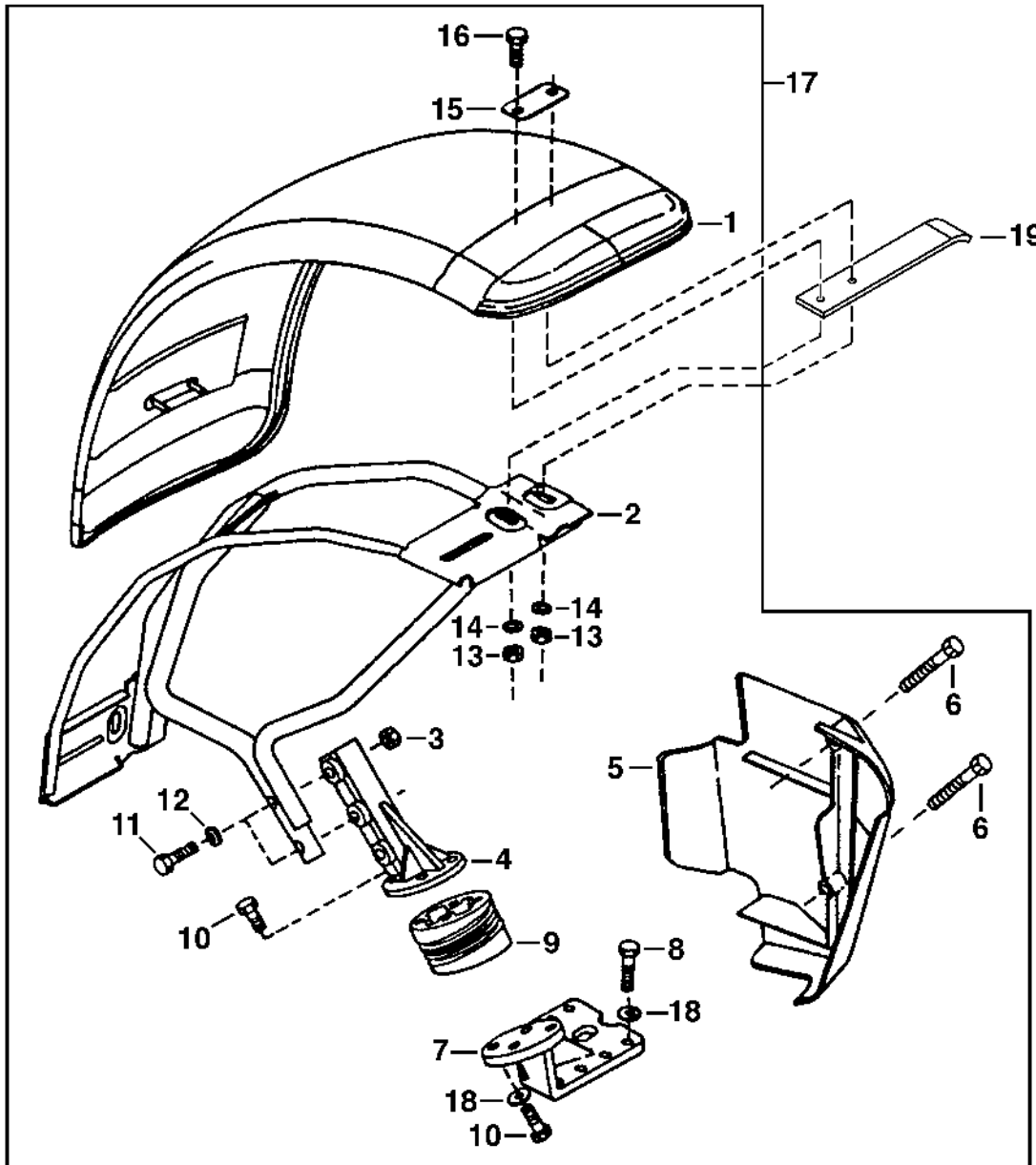
RE028463

KEY	PART NO.	PART NAME	QTY	TRACTOR SERIAL NO.	REMARKS
				8	
				4	
				0	
				0	
1	RE69037	PANEL	1	X	R.H. (SUB FOR RE60823 OR RE65609)
	RE69036	PANEL	1	X	L.H. (SUB FOR RE60824 OR RE65608)
	24M7055	WASHER	1	X	8.400 X 16 X 1.600 MM
3	19M7881	SCREW	3	X	M8 X 20
4	R131807	LOUVER	1	X	R.H. (SUB FOR R120157)
	R131808	LOUVER	1	X	L.H. (SUB FOR R120158)
5	24M7146	WASHER	7	X	4.300 X 12 X 1 MM
6	37M7194	SCREW	7	X	
7	24M7055	WASHER	2	X	8.400 X 16 X 1.600 MM

8F23

WHEEL, FRONT AXLES, SHEET METAL

FRONT FENDER ASSEMBLY (MECHANICAL FRONT WHEEL DRIVE)
JEU DE PIÈCES DE GARDE-BOUE AVANT (TRACTION AVANT MECANIQUE)
FRONT-KOTSHUETZERSATZ (MECHANISCHER FRONTANTRIEB)
SERIE PEZZI PER GUARDIA PARAFANGO ANTERIORE (TRAZIONE ANTERIORE MECANICA)
JUEGO DE FALDON DE GUARDABARRO DELANTERO (TRACCION DELANTERA)
FOERLAENGARE TILL FRAEMRE STAENKSKAERM, SATS (MEKANISK FRAMHJULSDRIVNING)
RE026587 -UN-21JUN96



RE026587

8F24

WHEEL, FRONT AXLES, SHEET METAL

KEY	PART NO.	PART NAME	QTY	TRACTOR SERIAL NO.	A L L	REMARKS
1	R154936	FENDER	2		X	(SUB FOR R122786)
	R121950	FENDER	2		X	FOR 600/65 R28 TIRES/MFWD
2	RE63578	SUPPORT	1		X	(SUB FOR RE61255) R.H.
	RE63579	SUPPORT	1		X	(SUB FOR RE61254) L.H.
3	14M7291	FLANGE NUT	4		X	M16
4	R126003	SUPPORT	2	-XXXXXX	X	(C)
	R154655	SUPPORT	2	XXXXXX-	X	(D)
5	R124616	PANEL	1	-XXXXXX	X	(A) R.H.
	R134562	PANEL	1	XXXXXX-	X	(B) R.H.
	R124617	PANEL	1	-XXXXXX	X	(A) L.H.
	R134563	PANEL	1	XXXXXX-	X	(B) L.H.
6	21M7442	SCREW	2		X	M10 X 20, UP
	21M7443	SCREW	2		X	M10 X 35, LOW
7	R124671	PANEL	1		X	R.H.
	R124670	PANEL	1		X	L.H.
8	19M7790	SCREW	8		X	M12 X 35
9	RE60938	ISOLATOR	2		X	
10	19M8011	CAP SCREW	16		X	M12 X 30
11	19M7719	CAP SCREW	4		X	M16 X 70
	24M7338	WASHER	4		X	17 X 30 X 3 MM
12	R125085	WASHER	4		X	
13	14M7296	FLANGE NUT	8		X	M10
14	24M7239	WASHER	16		X	10.700 X 21 X 2.500 MM
15	R117977	STRAP	4	-026354	X	
	R117977	STRAP	4	026355-	X	
16	03M7356	BOLT	8	-026354	X	M10 X 45
	03M7355	BOLT	8	026355-	X	FOR 600/65 R28 TIRES/MFWD
17	RE61798	KIT	1		X	(FI)
	RE61799	KIT	1		X	(FI) FOR 600/65 R28 TIRES/MFWD
18	24M7047	WASHER	8		X	13 X 24 X 2.500 MM
19	R125391	BRACE	2		X	(A)

(A)(-XXXXXX) 8100-011682; 8200-011453; 8300-011784; 8400-011816

(B)(XXXXXX-) 8100-011683; 8200-011454; 8300-011785; 8400-011817

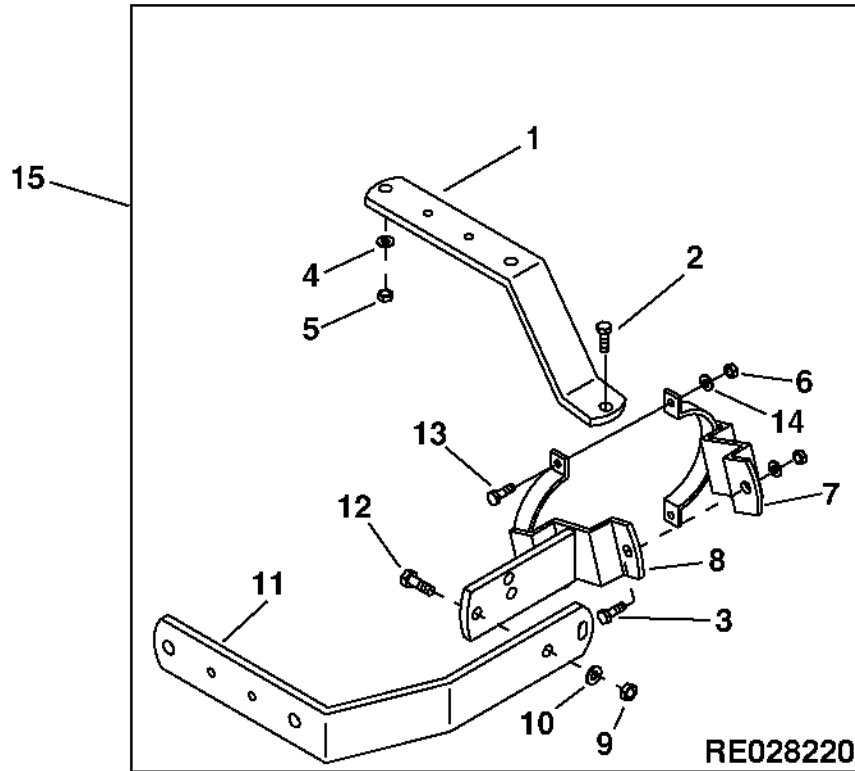
(C)(-XXXXXX) 8100-020386; 8200-020244; 8300-020519; 8400-020411

(D)(XXXXXX-) 8100-020387; 8200-020245; 8300-020520; 8400-020412

8F25

WHEEL, FRONT AXLES, SHEET METAL

FENDER SUPPORT KIT
 KIT DE SUPPORT D'AILE
 KOTFLUEGELSTUETZENSATZ
 KIT DE SOSTEGNO DEL PARAFANGO
 JUEGO DE SPORTE DE GUARDABARROS
 SATS MED STAENKSKAERMSTOED
 RE028220 -UN-25AUG97



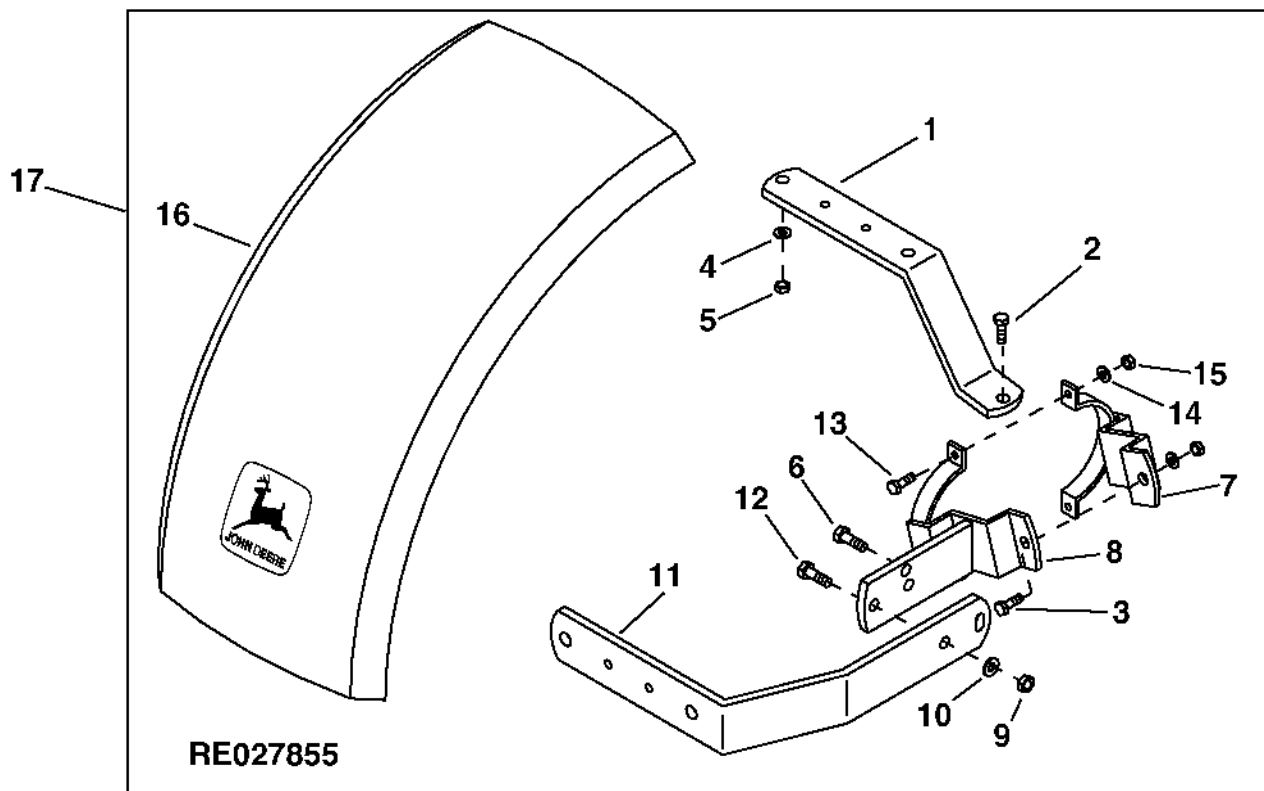
KEY	PART NO.	PART NAME	QTY	TRACTOR SERIAL NO.	A		REMARKS
					L	L	
1	R132823	SUPPORT	2		X		
2	19H2969	CAP SCREW	2		X		5/8" X 3-1/2"
3	19M7892	CAP SCREW	2		X		M20 X 80
4	12H304	LOCK WASHER	8		X		3/8"
5	14H1076	NUT	8		X		3/8"
6	K40002	LOCK NUT	4		X		
7	R133728	CLAMP	1		X		
	R133729	CLAMP	1		X		
8	R133726	BRACKET	1		X		
	R133727	BRACKET	1		X		
9	14H1076	NUT	8		X		3/8"
10	12H304	LOCK WASHER	8		X		3/8"
11	R132824	SUPPORT	2		X		
12	E57351	SELF-LOCKING SCREW	4		X		
13	19H1901	CAP SCREW	4		X		5/16" X 2"
14	12H293	LOCK WASHER	4		X		7/16"
15	RE68882	KIT	1		X		

MEMORANDA
MEMORANDA
MEMORANDA
MEMORANDA
MEMORANDA

8G1

WHEEL, FRONT AXLES, SHEET METAL

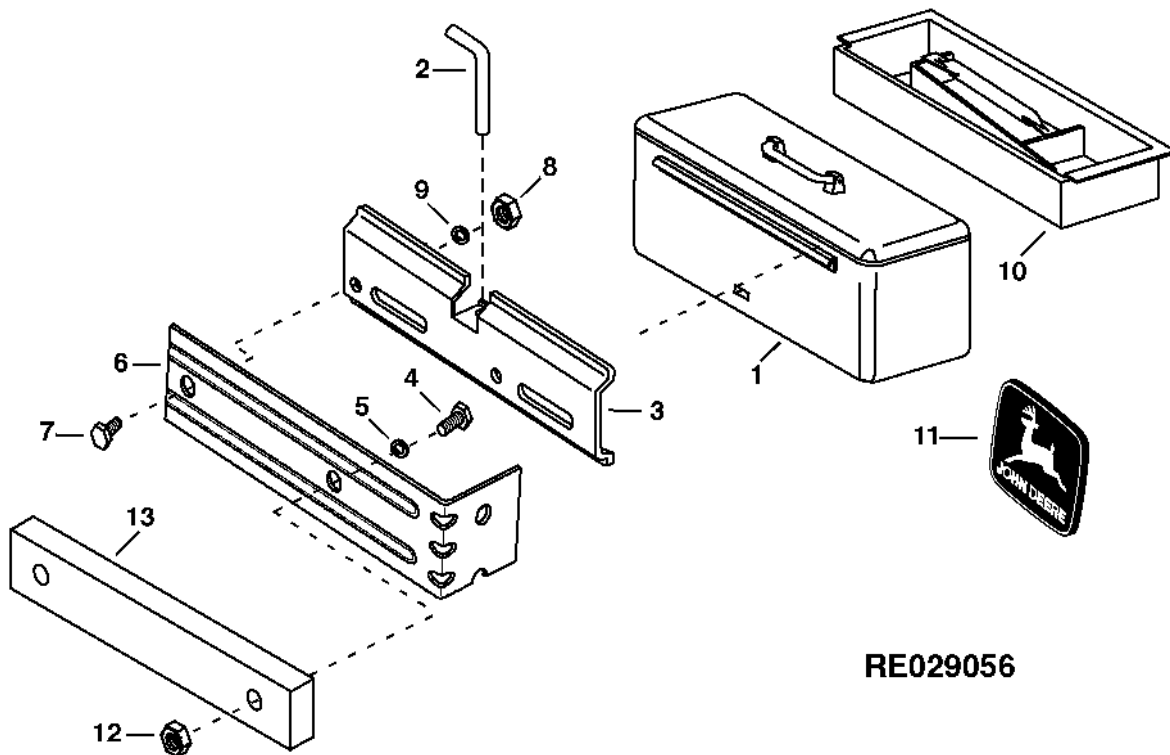
FRONT FENDER ASSEMBLY (2WD)
 JEU DE PIECES DE GARDE-BOU AVANT (2WD)
 FRONT-KOTSHUETZERSATZ (2WD)
 SERIE PEZZI PER GUARDIA PARAFANGO ANTERIORE (2WD)
 JUEGO DE FALDON DE GUARDABARRO DELANTERO (2WD)
 FOERLAENGARE TILL FRAEMRE STAENKSKAERM, SATS (2WD)
 RE027855 -UN-22APR97



KEY	PART NO.	PART NAME	QTY	TRACTOR SERIAL NO.	A	
					L	REMARKS
1	R132823	SUPPORT	2		X	
2	19H2969	CAP SCREW	2		X	5/8" X 3-1/2"
3	19M7892	CAP SCREW	2		X	M20 X 80
4	12H304	LOCK WASHER	8		X	3/8"
5	14H1076	NUT	8		X	3/8"
6	19H2735	CAP SCREW	2		X	1/2" X 2"
7	RE150011	CLAMP	1		X	R.H. (SUB FOR R133728)
	RE150013	CLAMP	1		X	L.H. (SUB FOR R133729)
8	RE150008	BRACKET	1		X	(SUB FOR R133726) R.H.
	RE150010	BRACKET	1		X	(SUB FOR R133727) L.H.
9	14H1076	NUT	8		X	3/8"
10	12H304	LOCK WASHER	8		X	3/8"
11	R132824	SUPPORT	2		X	LOW
12	E57351	SELF-LOCKING SCREW	4		X	
13	19H1901	CAP SCREW	4		X	5/16" X 2"
14	12H293	LOCK WASHER	4		X	7/16"
15	K40002	LOCK NUT	4		X	
16	AR86406	FENDER	2		X	(A) 11.00X16, 14LX16, 9.50X20, 16.5LX16.1
17	RE67851	KIT	1		X	(FI)

(A)FOR TIRE SIZE
 POUR PNEUMATIQUES
 FUER BEREIFUNG
 PER PNEUMATICI
 PARA NEUMATICOS
 FOR DACKSDIMENSION

TOOL BOX
 BOITE A OUTILS
 WERKEUGKASTEN
 CAJA DE HERRAMIENTAS
 CASSETTA DEGLI ATTREZZI
 VERKTYGSLAADA
 RE029056 -UN-03MAR98



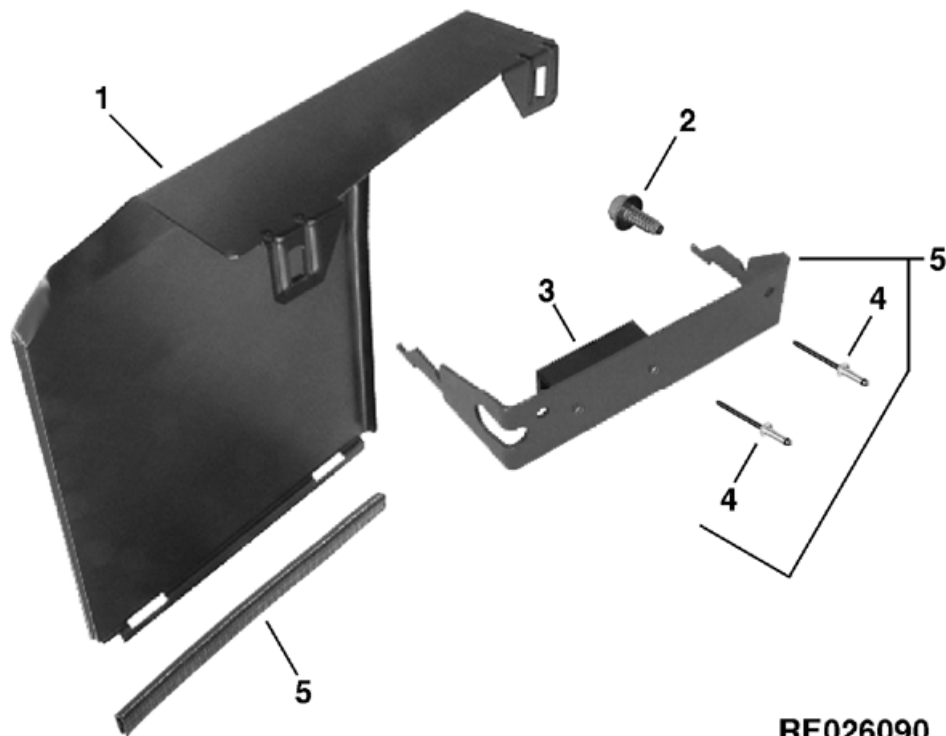
RE029056

KEY	PART NO.	PART NAME	QTY	TRACTOR SERIAL NO.	A	
					L	REMARKS
1	AT22070	TOOLBOX	1		X	
2	T23027	PIN	1		X	
3	T23033	BRACKET	1		X	
4	19M7719	CAP SCREW	2		X	M16 X 70
5	24M7242	WASHER	2		X	21.400 X 42 X 5 MM
6	R125192	BRACKET	1		X	
7	19M8035	CAP SCREW	2		X	M16 X 35
8	14M7276	NUT	2		X	M16
9	24M7338	WASHER	2		X	17 X 30 X 3 MM
10	AT22073	HOLDER	1		X	
11	RE65579	LABEL	1		X	(SUB FOR RE34995 OR RE65218)
12	28H3433	SPACER	2		X	0.742" X 1.050" X 1-1/2"
13	R135703	FOAM PAD	1		X	

8G3

WHEEL, FRONT AXLES, SHEET METAL

BATTERY BOX COVER
 COFFRE A BATTERIE
 BATTERIEKASTEN
 VANO BATTERIA
 CAJA DE BATERIA
 BATTERILAADA
 RE026090 -UN-31JUL96



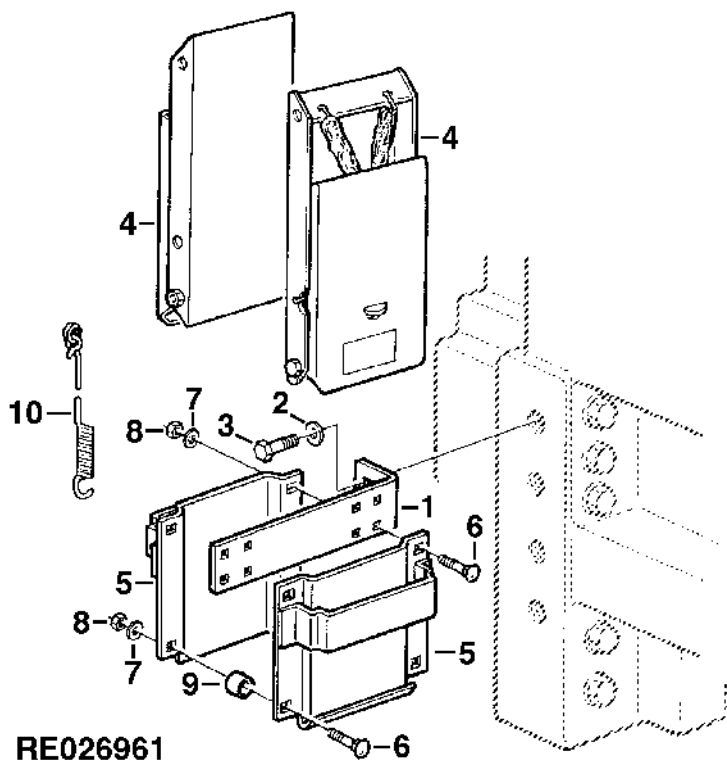
RE026090

KEY	PART NO.	PART NAME	QTY	TRACTOR SERIAL NO.	A	REMARKS
					L	
1	R151467	COVER	1		X	(SUB FOR R124686)
2	37M7087	SCREW	2		X	M10 X 25
3	RE48867	JUNCTION BLOCK	1		X	
4	M83725	RIVET	2		X	
5	RE61152	STEEL	1		X	
6	RE57962	BUMPER	1		X	

8G4

WHEEL, FRONT AXLES, SHEET METAL

CHOCK BLOCK HOLDER
 SUPPORT DE CALE
 BREMSKLOTZHALTER
 SUPPORTO ZEPPA
 PORTABLOQUE INMOVILIZADOR
 BROMSKLOSSHAALLARE
 RE026961 -UN-13MAY96



RE026961

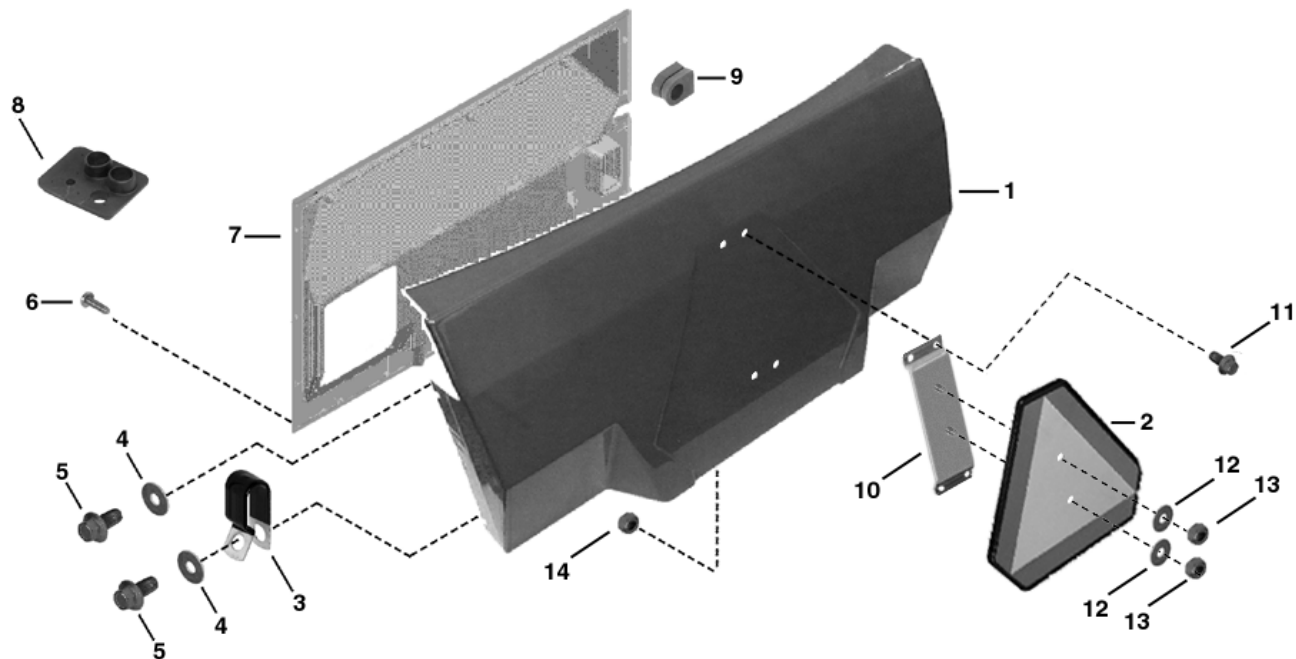
KEY	PART NO.	PART NAME	QTY	TRACTOR SERIAL NO.	A	REMARKS
					L	
1	L79302	BRACKET	1		X	
2	24M7344	WASHER	1		X	22 X 37 X 3 MM
3	19M7946	CAP SCREW	1		X	M20 X 40
4	AL26777	CHOCK BLOCK	2		X	
5	AL26778	SUPPORT	2		X	
6	03M7191	BOLT	4		X	M10 X 25
7	24M7346	WASHER	4		X	11 X 20 X 2 MM
	24M7346	WASHER	4		X	(A) 11 X 20 X 2 MM
8	14M7274	NUT	4		X	M10
9	L111038	SPACER	2		X	(SUB FOR L33629)
10	AL41725	EXTENSION SPRING	2		X	

(A)EUROPEAN VERSION
 VERSION EUROPEENNE
 EUROPÄISCHE AUSFUEHRUNG
 VERSIONE EUROPEA
 VERSIONE EUROPEA
 EUROPEISK VERSION

8G5

WHEEL, FRONT AXLES, SHEET METAL

CAB REAR COVER
 COFFRE A BATTERIE
 BATTERIEKASTEN
 VANO BATTERIA
 CAJA DE BATERIA
 BATTERILAADA
 RE030427 -UN-16FEB99



RE030427

KEY	PART NO.	PART NAME	QTY	TRACTOR SERIAL NO.	A		REMARKS
					L	L	
1	R124887	COVER	1	-XXXXXX	X	(B)	
	R126387	COVER	1	-XXXXXX	X	(A) (B)	
	R163837	COVER	1	XXXXXX-	X	(C)	
2	JD5929	SMV EMBLEM	1		X	(SUB JD5927 OR JD5400)	
3	R124829	CLAMP	2		X	LOW	
4	24M7298	WASHER	4		X	8.400 X 25 X 2 MM	
5	37M7084	SCREW	4		X	M8 X 25	
6	37M7147	SCREW	4		X		
7	R136348	COVER	1		X	(SUB FOR R124231 OR R133529)	
8	R124377	GROMMET	1		X		
9	L76331	GROMMET	2		X		
10	RE163839	BRACKET	1	XXXXXX-	X	(C)	
11	21M7185	SCREW	2	XXXXXX-	X	(C) M5 X 16	
12	24M7139	WASHER	2	XXXXXX-	X	(C) 6.400 X 18 X 1.600 MM	
13	14M7265	LOCK NUT	2	XXXXXX-	X	(C) M5	
14	14M7397	LOCK NUT	2	XXXXXX-	X	(C) M6	

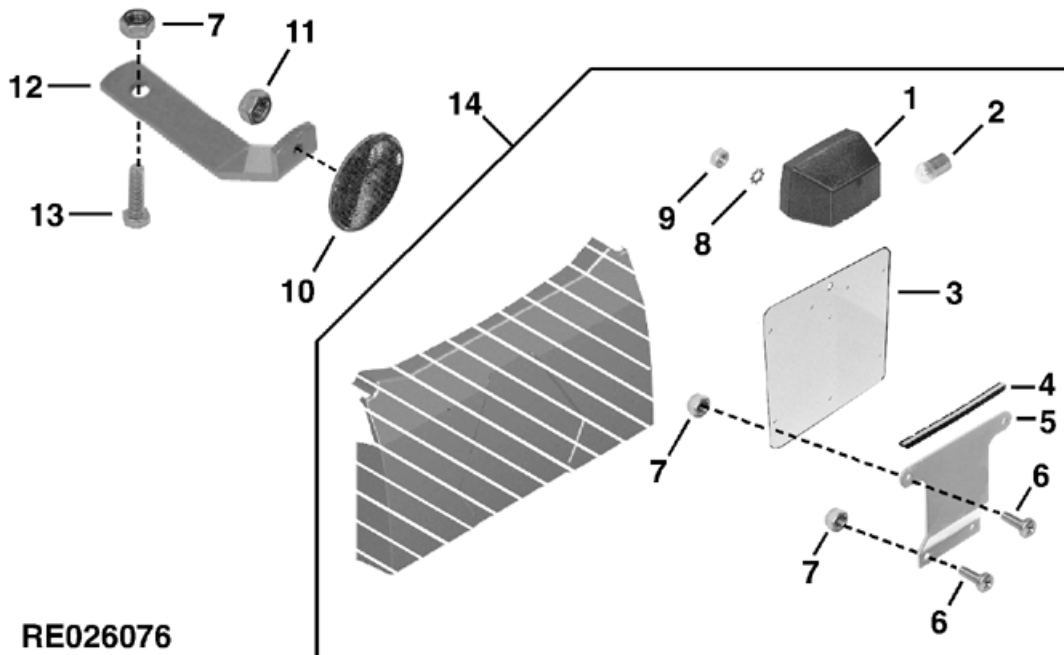
(A)EUROPEAN VERSION
 VERSION EUROPEENNE
 EUROPÄISCHE AUSFUEHRUNG
 VERSIONE EUROPEA
 VERSION EUROPEA
 EUROPEISK VERSION

8G6

WHEEL, FRONT AXLES, SHEET METAL

LICENSE PLATE AND LAMP (EUROPEAN VERSION)
 PLAQUE MINERALOGIQUE ET FEU (VERSION EUROPEENNE)
 KENNZEICHENHALTER UND LAMPE (EUROPÄISCHE AUSFUEHRUNG)
 SUPPOTO TARGA E LAMPADINA (VERSIONE EUROPEA)
 PLACA DE CIRCULACION Y LUZ (VERSION EUROPEA)
 REGISTRERINGSSKYLT MED BELYSNING (EUROPEISK VERSION)

RE026076 -UN-13MAR95



RE026076

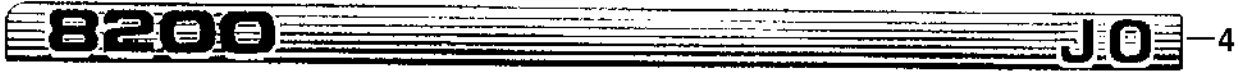
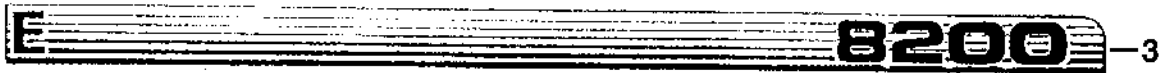
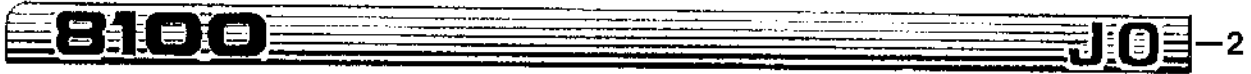
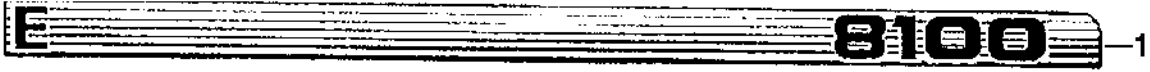
KEY	PART NO.	PART NAME	QTY	TRACTOR SERIAL NO.	REMARKS	
					A	L
1	AL33161	FLOODLAMP	1		X	
2	57M7013	BULB	1		X	
3	R125408	PLATE	1		X	
4	R128326	GASKET	1		X	(SUB FOR RE56284)
5	R127177	SUPPORT	1		X	(SUB FOR L79087)
6	21M7185	SCREW	4		X	M5 X 16
7	14M7265	LOCK NUT	5		X	M5
8	12M7084	LOCK WASHER	2		X	4.300 MM
9	14M7100	NUT	2		X	M4
10	L39871	REFLECTOR	1		X	
	AL30794	REFLECTOR	2		X	(A) (NLR)
	14M7297	NUT	1		X	M5
12	R128500	BRACKET	1		X	(SUB FOR R125168, R125169 AND R127837)
13	19M7550	CAP SCREW	1		X	M10 X 35
14	RE63328	PLATE	1		X	(INCLUDES RE62300) (FI)

(A)SWEDEN
 SUEDE
 SCHWEDEN
 SVEZIA
 SUECIA
 SVERIGE

8G7

WHEEL, FRONT AXLES, SHEET METAL

DECALS (8100, 8200) (-009999)
 DECALCOMANIES (8100, 8200) (-009999)
 AUFKLEBER (8100, 8200) (-009999)
 CALCOMANIE (8100, 8200) (-009999)
 CALCOMANIAS (8100, 8200) (-009999)
 DEKALER (8100, 8200) (-009999)
 RXP011215 -UN-13MAY96



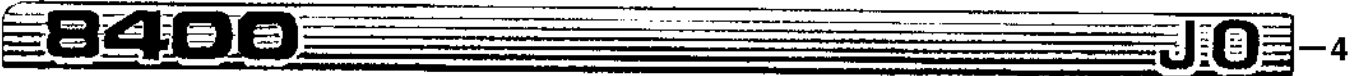
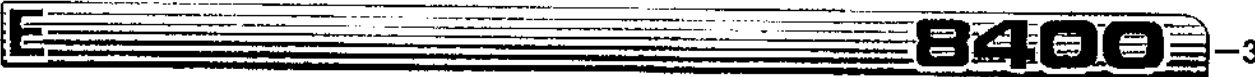
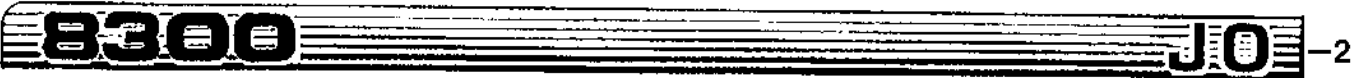
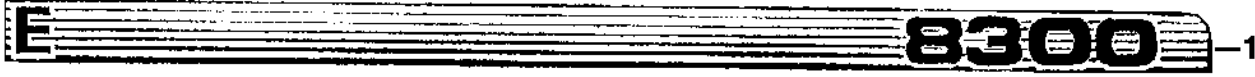
RXP011215

KEY	PART NO.	PART NAME	QTY	CAB SERIAL NO.	8 1 0 0	8 2 0 0	REMARKS
1	R107070	LABEL	1	-001748	X		R.H.
	R126946	LABEL	1	001749-	X		R.H.
2	R107071	LABEL	1	-001748	X		L.H.
	R126947	LABEL	1	001749-	X		L.H.
3	R107072	LABEL	1	-001631	X		R.H.
	R126948	LABEL	1	001632-	X		R.H.
4	R107073	LABEL	1	-001631	X		L.H.
	R126949	LABEL	1	001632-	X		L.H.
5	R126944	LABEL	1		X	X	(SUB FOR R120784) R.H.
6	R126945	LABEL	1		X	X	(SUB FOR R120785) L.H.

8G8

WHEEL, FRONT AXLES, SHEET METAL

DECALS (8300, 8400) (-009999)
 DECALCOMANIES (8300, 8400) (-009999)
 AUFKLEBER (8300, 8400) (-009999)
 CALCOMANIE (8300, 8400) (-009999)
 CALCOMANIAS (8300, 8400) (-009999)
 DEKALER (8300, 8400) (-009999)
 RXP011214 -UN-13MAY96



RXP011214

KEY	PART NO.	PART NAME	QTY	CAB SERIAL NO.	8 3 0 0	8 4 0 0	REMARKS
1	R107074	LABEL	1	-002860	X		R.H.
	R126950	LABEL	1	002861-	X		R.H.
2	R107075	LABEL	1	-002860	X		L.H.
	R126951	LABEL	1	002861-	X		L.H.
3	R114570	LABEL	1	-001481	X	X	R.H.
	R126952	LABEL	1	001482-	X	X	R.H.
4	R114571	LABEL	1	-001481	X	X	L.H.
	R126953	LABEL	1	001482-	X	X	L.H.
5	R126944	LABEL	1		X	X	(SUB FOR R120784) R.H.
6	R126945	LABEL	1		X	X	(SUB FOR R120785) L.H.

8G9

WHEEL, FRONT AXLES, SHEET METAL

DECALS (8100, 8200)(010000-)
 DECALCOMANIES(8100, 8200)(010000-)
 AUFKLEBER (8100, 8200)(010000-)
 CALCOMANIE (8100, 8200)(010000-)
 CALCOMANIAS (8100, 8200)(010000-)
 DEKALER (8100, 8200)(010000-)
 RE026950 -UN-09MAY96



RE026950

KEY	PART NO.	PART NAME	QTY	TRACTOR SERIAL NO.	8 8 1 2 0 0 0 0	REMARKS
1	R132015	LABEL	1		X	R.H.
2	R132016	LABEL	1		X	L.H.
3	R132017	LABEL	1		X	R.H.
4	R132018	LABEL	1		X	L.H.

8G10

WHEEL, FRONT AXLES, SHEET METAL

DECALS (8300, 8400)(010000-)
 DECALCOMANIES (8300, 8400) (010000-)
 AUFKLEBER (8300, 8400) (010000-)
 CALCOMANIE (8300, 8400) (010000-)
 CALCOMANIAS (8300, 8400) (010000-)
 DEKALER (8300, 8400) (010000-)
 RE026951 -UN-09MAY96



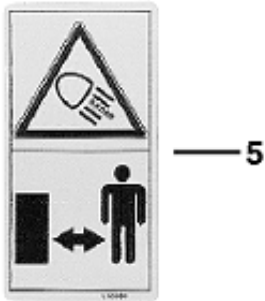
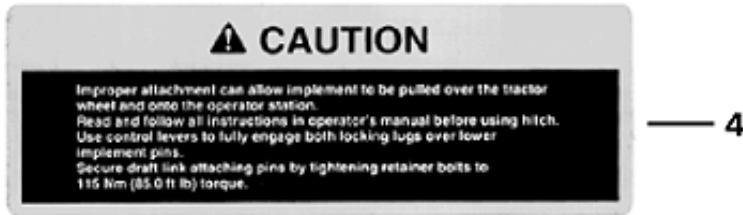
RE026951

KEY	PART NO.	PART NAME	QTY	TRACTOR SERIAL NO.	8 8 3 4 0 0 0 0	REMARKS
1	R132019	LABEL	1		X	R.H.
2	R132020	LABEL	1		X	L.H.
3	R132021	LABEL	1		X	R.H.
4	R132022	LABEL	1		X	L.H.

8G11

WHEEL, FRONT AXLES, SHEET METAL

DECALS
 DECALCOMANIES
 AUFKLEBER
 CALCOMANIE
 CALCOMANIAS
 DEKALER
 RXP010802 -UN-01JAN94



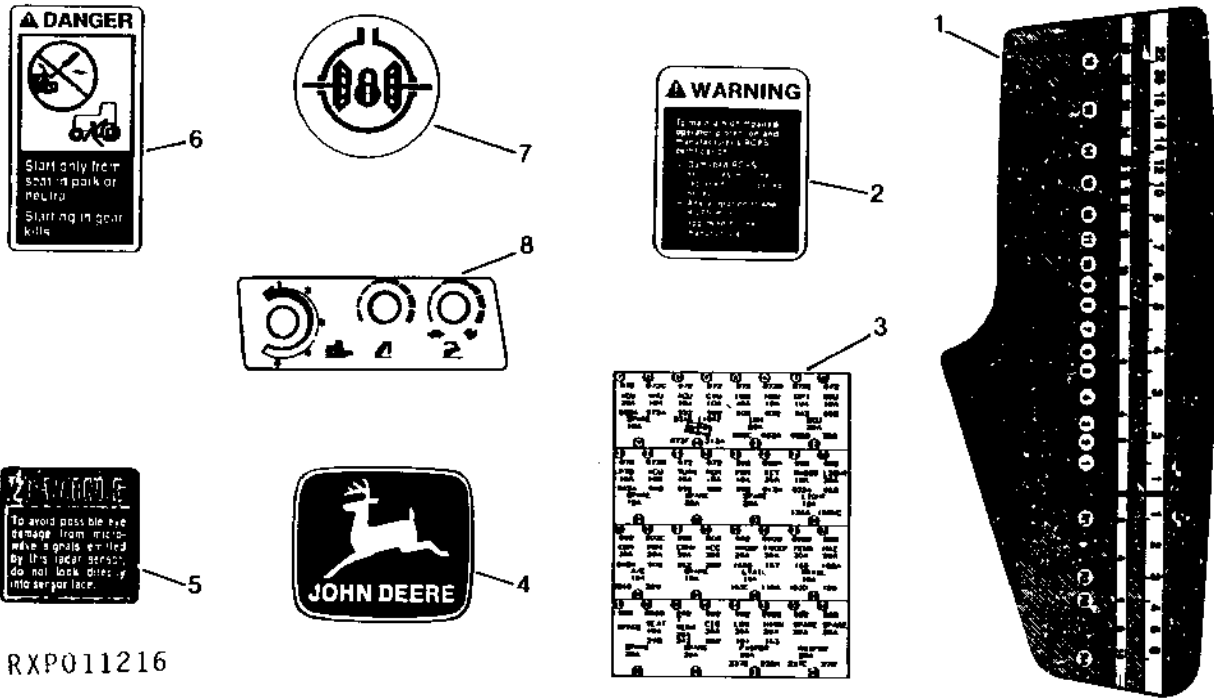
RXP010802

KEY	PART NO.	PART NAME	QTY	TRACTOR SERIAL NO.	A	REMARKS
					L	
1	R77715	DECAL	1		X	
2	H138955	LABEL	1		X	
3	R135987	LABEL	1		X	(SUB FOR R120124)
4	R122428	LABEL	1		X	
5	L65000	LABEL	1		X	
6	L113583	LABEL	1		X	(SUB FOR L65043)

8G12

WHEEL, FRONT AXLES, SHEET METAL

DECALS
 DECALCOMANIES
 AUFKLEBER
 CALCOMANIE
 CALCOMANIAS
 DEKALER
 RXP011216 -UN-01JAN94



RXP011216

KEY	PART NO.	PART NAME	QTY	TRACTOR SERIAL NO.		REMARKS
				A	L	
1	R125189	LABEL	1	X		
	R125190	LABEL	1	X		(B)
2	R135987	LABEL	1	X		(SUB FOR R120124)
3	R111807	LABEL	1	X		
4	RE65579	LABEL	1	X		(SUB FOR RE34995 OR RE65218)
5	R120107	LABEL	1	X		
6	T146102	LABEL	1	X		
7	L80302	LABEL	1	X		
8	R124530	LABEL	1	X		(A)
	R110680	LABEL	1	X		(C)

(A)W/3 SCV W/HITCH W/PTO
 W/3 SCV W/ATTELAGE W/PTO
 W/3 SCV W/ANHAENGEVORRICHTUNG W/PTO
 W/3 SCV W/ATTACCO W/ PTO
 W/3 SCV W/ENGANCHE W/ PTO
 W/3 SCV W/ DRAG W/PTO

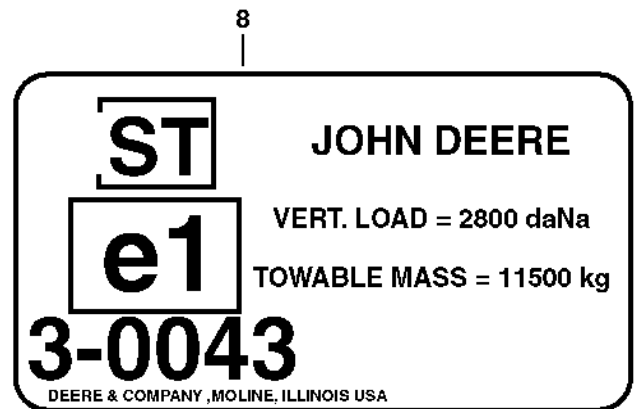
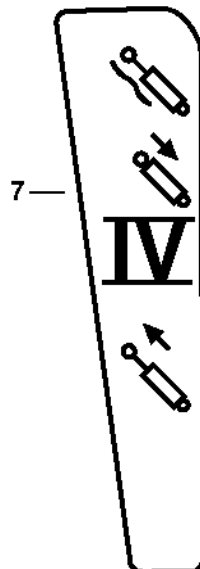
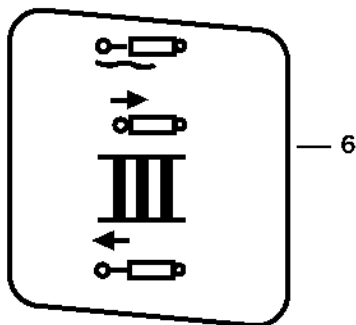
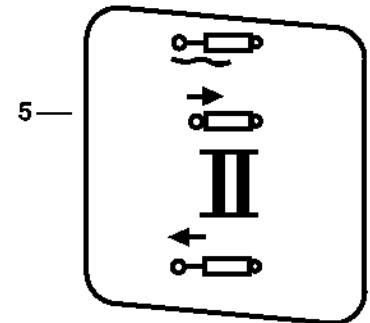
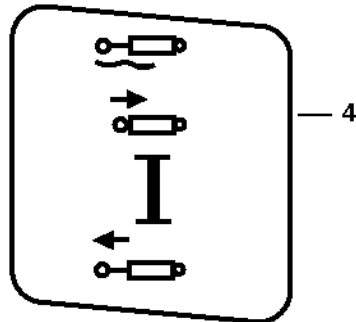
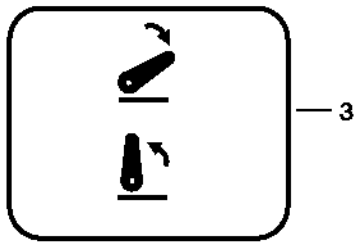
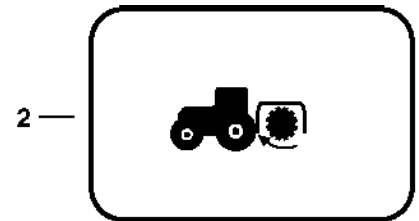
(B)EUROPEAN VERSION
 VERSION EUROPEENNE
 EROPAEISCHE AUSFUEHRUNG
 VERSIONE EUROPEA
 VERSION EUROPEA
 EUROPEISK VERSION

(C)W/3 SCV W/O HITCH W/PTO
 W/3 SCV W/O ATTELAGE W/PTO
 W/3 SCV W/O ANHAENGEVORRICHTUNG W/PTO
 W/3 SCV W/O ATTACCO W/PTO
 W/3 SCV W/O ENGANCHE W/PTO
 W/3 SCV W/O DRAG W/PTO

8G13

WHEEL, FRONT AXLES, SHEET METAL

DECALS
DECALCOMANIES
AUFKLEBER
CALCOMANIE
CALCOMANIAS
DEKALER
RE030290 -UN-21JAN99



RE030290

8G14

WHEEL, FRONT AXLES, SHEET METAL

KEY	PART NO.	PART NAME	QTY	TRACTOR SERIAL NO.	A L L	REMARKS
1	R126466	LABEL	1		X	
2	R126467	LABEL	1	-XXXXXX	X	(A)
	R133057	LABEL	1	XXXXXX-	X	(B)
3	R126468	LABEL	1	-XXXXXX	X	(A)
	R133058	LABEL	1	XXXXXX-	X	(B)
4	R126463	LABEL	1	-XXXXXX	X	(A)
	R133053	LABEL	1	XXXXXX-	X	(B)
5	R126464	LABEL	1	-XXXXXX	X	(A)
	R133054	LABEL	1	XXXXXX-	X	(B)
6	R126465	LABEL	1	-XXXXXX	X	(A)
	R133055	LABEL	1	XXXXXX-	X	(B)
7	R122656	LABEL	1	-XXXXXX	X	(A)
	R133056	LABEL	1	XXXXXX-	X	(B)
8	R119439	LABEL	1		X	

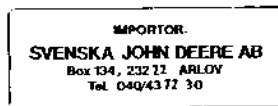
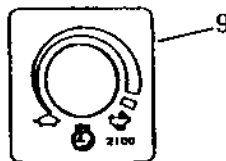
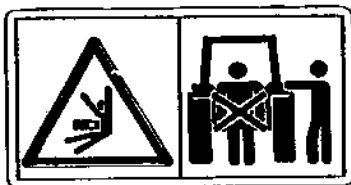
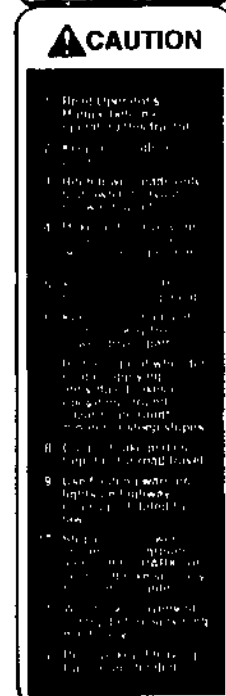
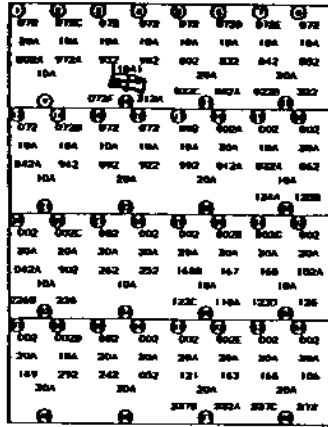
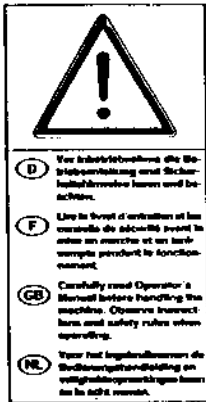
(A)(-XXXXXX) 8100-005847; 8200-004093; 8300-006873; 8400-007568

(B)(XXXXXX-) 8100-005848; 8200-004094; 8300-006874; 8400-007569

8G15

WHEEL, FRONT AXLES, SHEET METAL

DECALS
 DECALCOMANIES
 AUFKLEBER
 CALCOMANIE
 CALCOMANIAS
 DEKALER
 RE026100 -UN-27FEB95



RE026100

8G16

WHEEL, FRONT AXLES, SHEET METAL

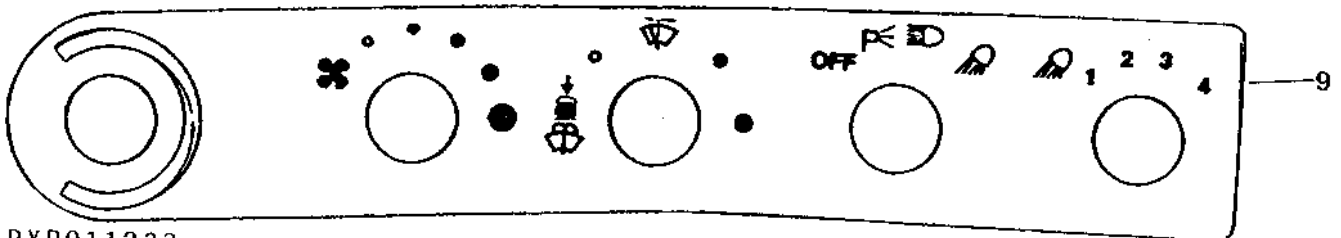
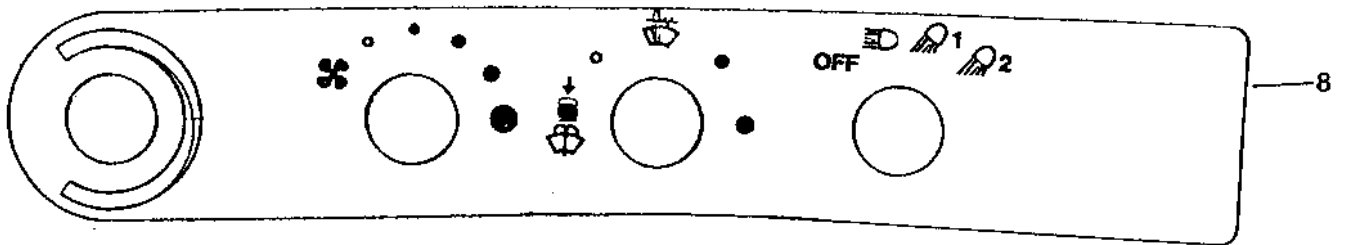
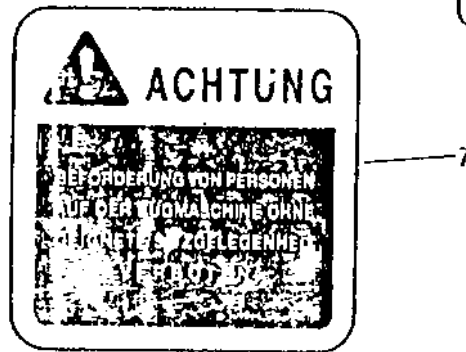
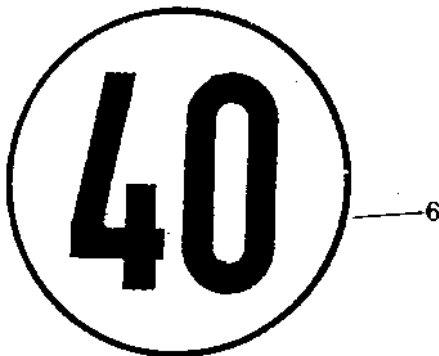
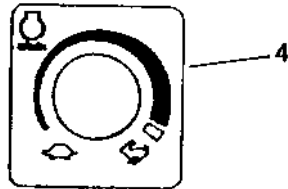
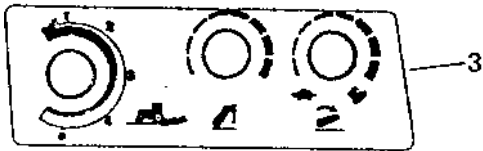
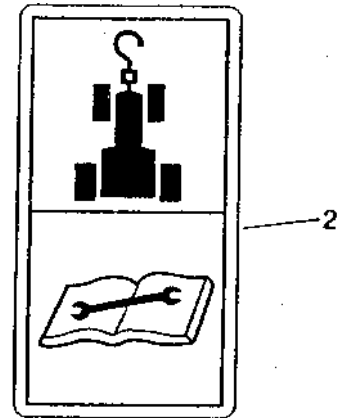
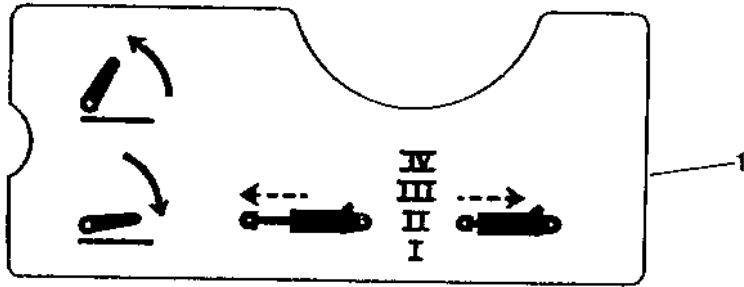
KEY	PART NO.	PART NAME	QTY	TRACTOR SERIAL NO.	A	REMARKS
					L	
L						
1	CC40740	DECAL	1		X	(A) (SUB FOR L64991)
2	R134324	LABEL	1		X	(SUB FOR R111807 OR R132098)
	R134325	LABEL	1		X	(A) (SUB FOR R111808 OR R132099)
3	R135987	LABEL	1		X	(A) (SUB FOR R124563)
	L79601	LABEL	1		X	(A)
4	R68682	LABEL	1		X	
5	R132720	LABEL	1		X	(SUB FOR R120111)
6	R135481	LABEL	1		X	(A) (SUB FOR L65070) R.H.
7	R135480	LABEL	1		X	(A) (SUB FOR L65071) L.H.
8	R95866	DECAL	1		X	
9	R116580	LABEL	1		X	
10	R125345	DECAL	1		X	
11	L35850	LABEL	1		X	(A) NLR

(A)EUROPEAN VERSION
VERSION EUROPEENNE
EROPAEISCHE AUSFUEHRUNG
VERSIONE EUROPEA
VERSION EUROPEA
EUROPEISK VERSION

8G17

WHEEL, FRONT AXLES, SHEET METAL

DECALS
DECALCOMANIES
AUFKLEBER
CALCOMANIE
CALCOMANIAS
DEKALER
RXP011233 -UN-01JAN94



RXP011233

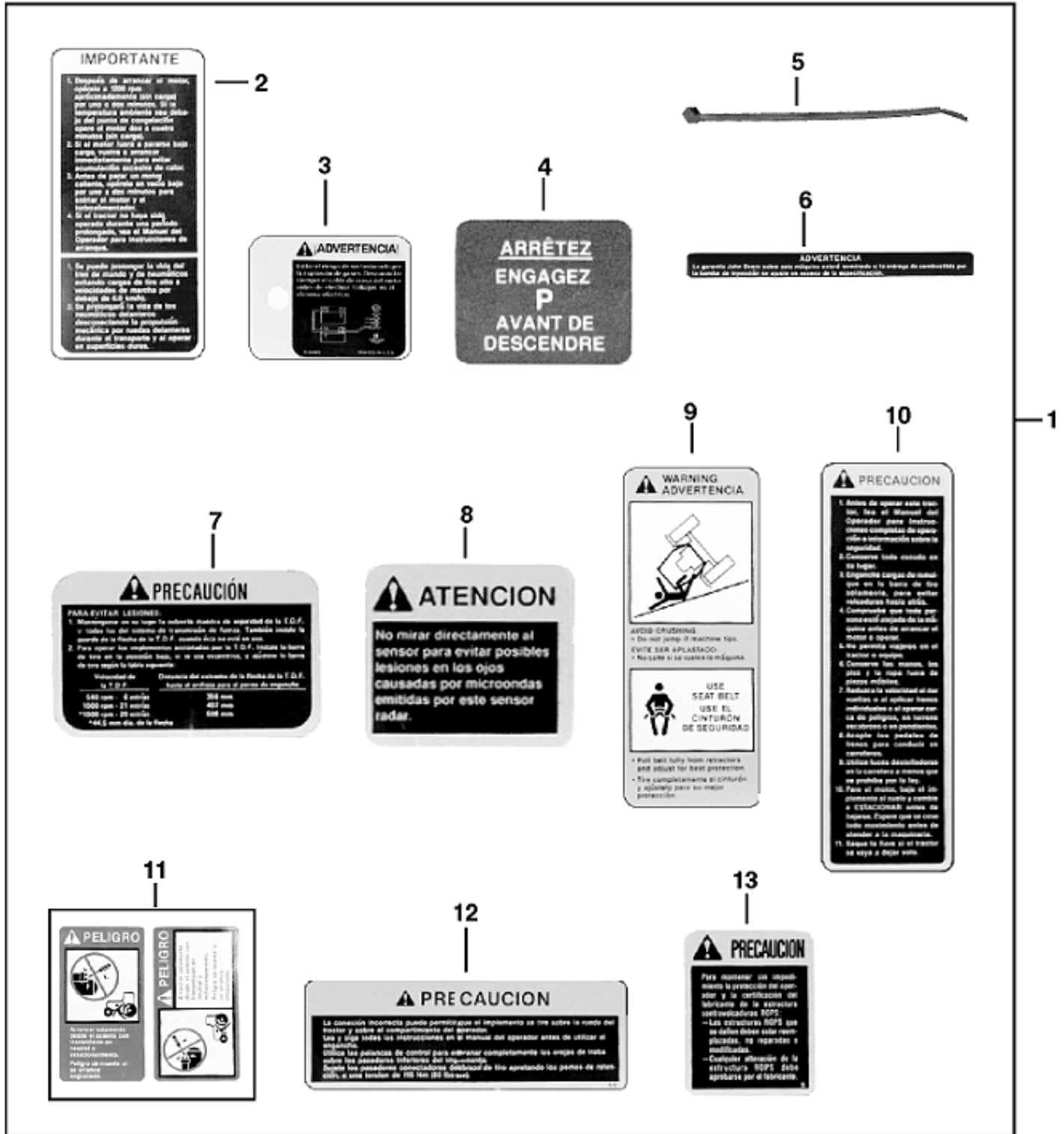
8G18

WHEEL, FRONT AXLES, SHEET METAL

KEY	PART NO.	PART NAME	QTY	TRACTOR SERIAL NO.	A L L	REMARKS
1	R128894	LABEL	1		X	(SUB FOR R123139)
2	R124693	LABEL	1		X	(A)
3	R124530	LABEL	1		X	
4	R133632	LABEL	1		X	(SUB FOR R125138)
5	R114802	LABEL	1		X	
6	L63262	LABEL	1		X	(A)
7	L79474	LABEL	1		X	(A)
8	R126009	DECAL	1		X	
9	R126010	DECAL	1		X	(A)
..	R126585	SIGN	1		X	NLR

(A)EUROPEAN VERSION
VERSION EUROPEENNE
EROPAEISCHE AUSFUEHRUNG
VERSIONE EUROPEA
VERSION EUROPEA
EUROPEISK VERSION

DECALS KIT (SPANISH)
 JEU D'AUTOCOLLANTS (ESPAGNOL)
 AUFKLEBERSATZ (SPANISCH)
 KIT TARGHETTE (SPAGNOLO)
 JUEGO DE ETIQUETAS (ESPAÑOL)
 DEKALSATS (SPANSK)
 RXP010856 -UN-01JAN94



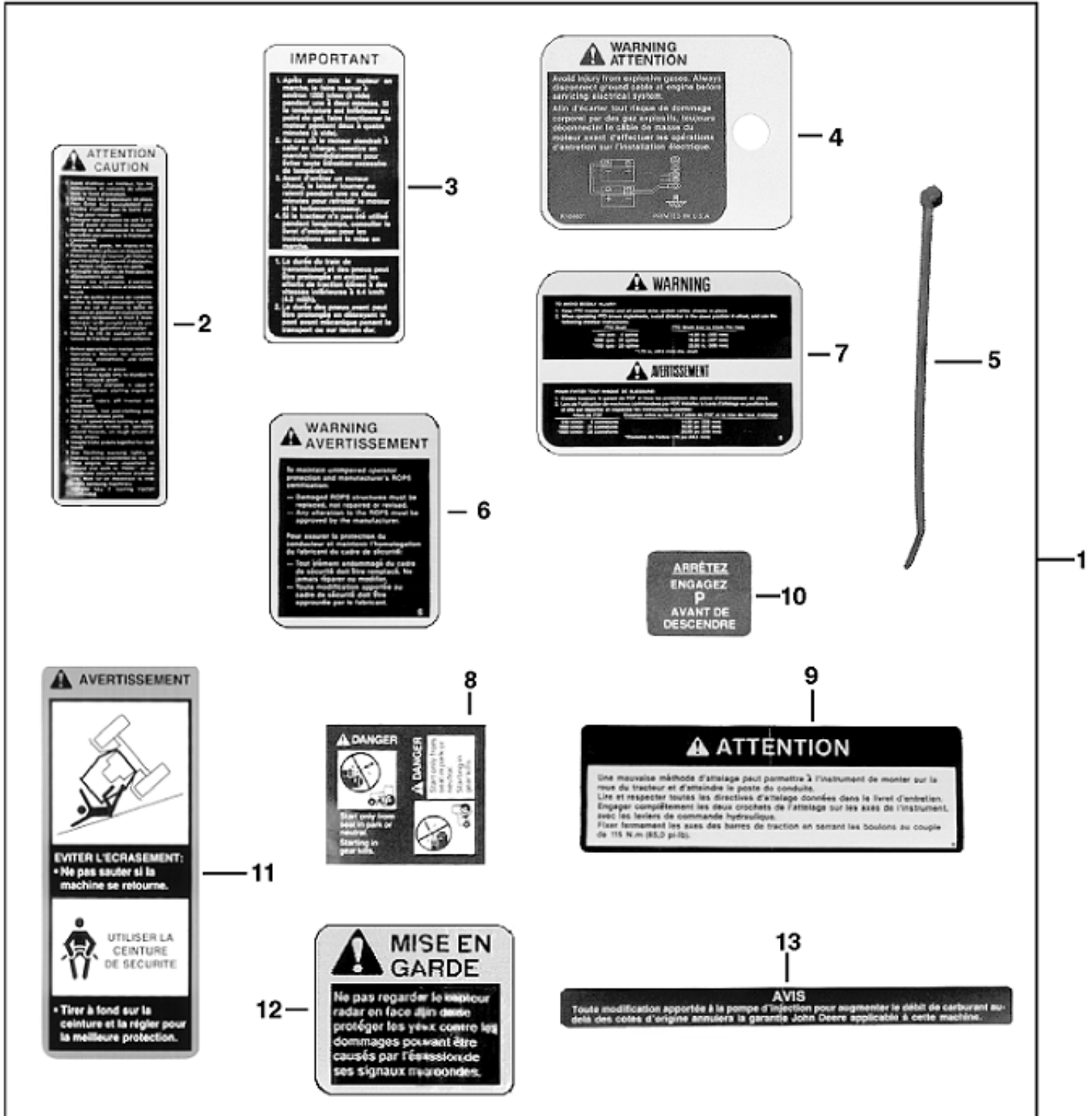
RXP010856

8G20

WHEEL, FRONT AXLES, SHEET METAL

KEY	PART NO.	PART NAME	QTY	TRACTOR SERIAL NO.	A	REMARKS
					L	
1	RE58989	LABEL	1		X	(FI)
2	R100410	LABEL	1		X	(ESPANOL)
3	R125474	TAG	1		X	(ESPANOL)
4	R122889	LABEL	1		X	(ESPANOL)(NLR)
5	R44302	TIE BAND	1		X	
6	R81374	DECAL	1		X	(ESPANOL)
7	R120113	LABEL	1		X	(ESPANOL)
8	R120108	LABEL	1		X	(ESPANOL)
9	R120123	LABEL	1		X	(ESPANOL/ENGLISH)
10	R120130	LABEL	1		X	(ESPANOL)
11	T146106	SAFETY SIGN	1		X	(ESPANOL)
12	R120104	LABEL	1		X	(ESPANOL)
13	R120126	LABEL	1		X	(ESPANOL)

DECALS KIT (CANADA)
 JEU D'AUTOCOLLANTS (CANADA)
 AUFKLEBERSATZ (KANADA)
 KIT TARGHETTE (CANADA)
 JUEGO DE ETIQUETAS (CANADA)
 DEKALSATS (KANADA)
 RXP010857 -UN-01JAN94



RXP010857

8G22

WHEEL, FRONT AXLES, SHEET METAL

KEY	PART NO.	PART NAME	QTY	TRACTOR SERIAL NO.	A L L	REMARKS
1	RE58988	LABEL	1		X	(FI)
2	R120129	LABEL	1		X	(FRANCAIS/ENGLISH)
3	R100412	LABEL	1		X	(FRANCAIS)
4	R125473	TAG	1		X	(FRANCAIS)
	R120119	TAG	1		X	(FRANCAIS/ENGLISH)
5	R44302	TIE BAND	1		X	
6	R120125	LABEL	1		X	(FRANCAIS/ENGLISH)
7	R120112	LABEL	1		X	(FRANCAIS/ENGLISH)
8	T146104	SAFETY SIGN	1		X	(FRANCAIS)
9	R120105	LABEL	1		X	(FRANCAIS)
10	R122890	LABEL	1		X	(FRANCAIS)(NLR)
11	R120122	LABEL	1		X	(FRANCAIS)
12	R120106	LABEL	1		X	(FRANCAIS)
13	R81372	DECAL	1		X	(FRANCAIS)

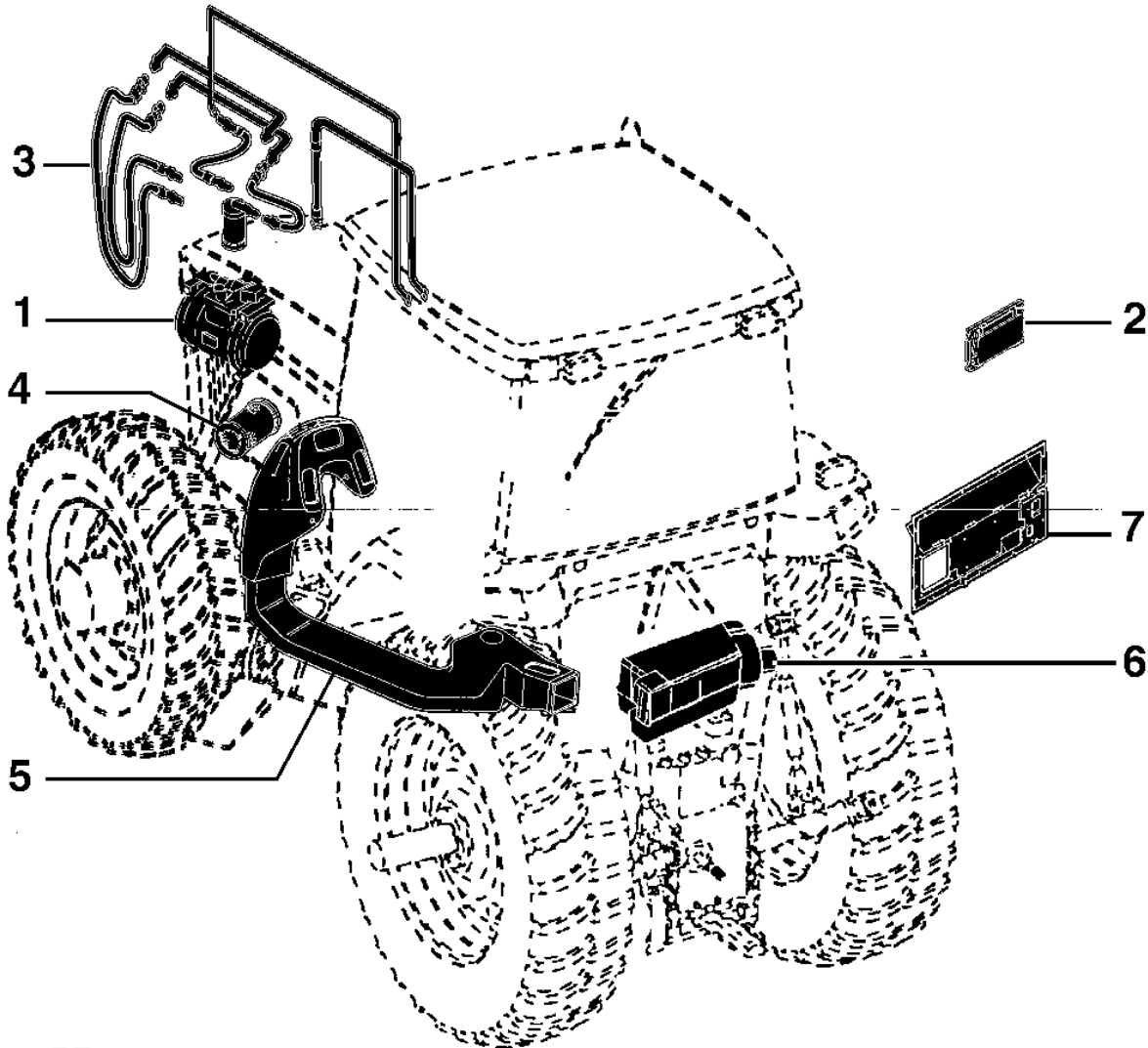
MEMORANDA
MEMORANDA
MEMORANDA
MEMORANDA
MEMORANDA

8H3

SECTIONAL INDEX
GRUPPENINDEX
INDEX DE SECTION
INDICE DELLA SEZIONE
INDICE DE SECCION
GRUPPSFORTECKNING

RE029128 -UN-11MAY99

1 -	8H5
3 -	8H9
4 -	8H15
5 -	8H17
6 -	8H19
7 -	8H21
5 -	8H22



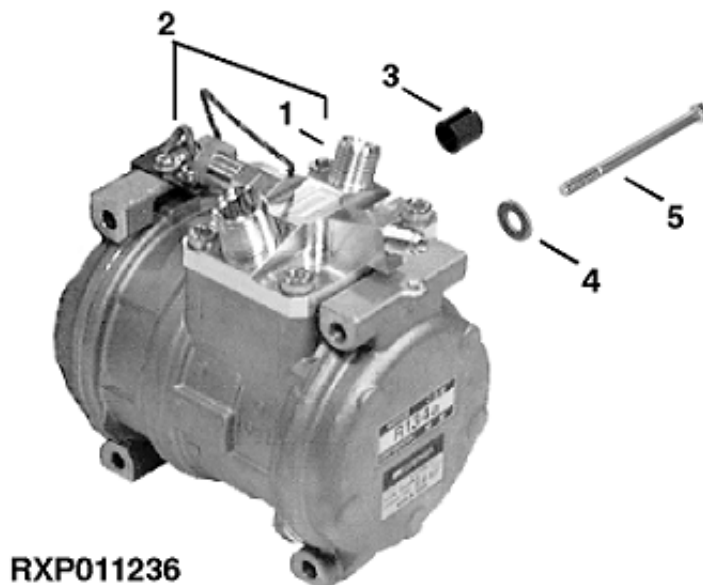
RE029128

8H4

OPERATOR'S STATION ACCESSORIES

SECTIONAL INDEX
GRUPPENINDEX
INDEX DE SECTION
INDICE DELLA SEZIONE
INDICE DE SECCION
GRUPPSFORTECKNING

AIR CONDITIONING COMPRESSOR
 COMPRESSEUR DE CLIMATISATION
 KLIMAANLAGE-KOMPRESSOR
 COMPRESSORE DELL'ARIA CONDIZIONATA
 COMPRESOR DEL ACONDICIONADOR DE AIRE
 LUFTKONDITIONERINGSKOMPRESSOR
 RXP011236 -UN-01JAN94



KEY	PART NO.	PART NAME	QTY	TRACTOR SERIAL NO.	A L L	REMARKS
1	RE51052	MANIFOLD	1		X	
2	RE46609	COMPRESSOR	1		X	(NIPPONDENSO 447200-3350) (INCLUDES RE51052, RE52454, RE52507, RE52508, RE52509, RE52510 AND R115743)
	RE52454	COMPRESSOR	1		X	(C)
	TY6764	COMPRESSOR	1		X	(A)
3	34M7189	SPRING PIN	2		X	11 X 8 MM
4	24M7055	WASHER	3		X	(B) 8.400 X 16 X 1.600 MM
5	19M8539	CAP SCREW	3		X	M8 X 90
..	R115742	SEAL	1		X	
..	TY15949	REFRIGERANT	1		X	12 OZ
..	TY15950	REFRIGERANT	1		X	15 LBS (NLA)
..	TY15951	REFRIGERANT	1		X	30 LBS

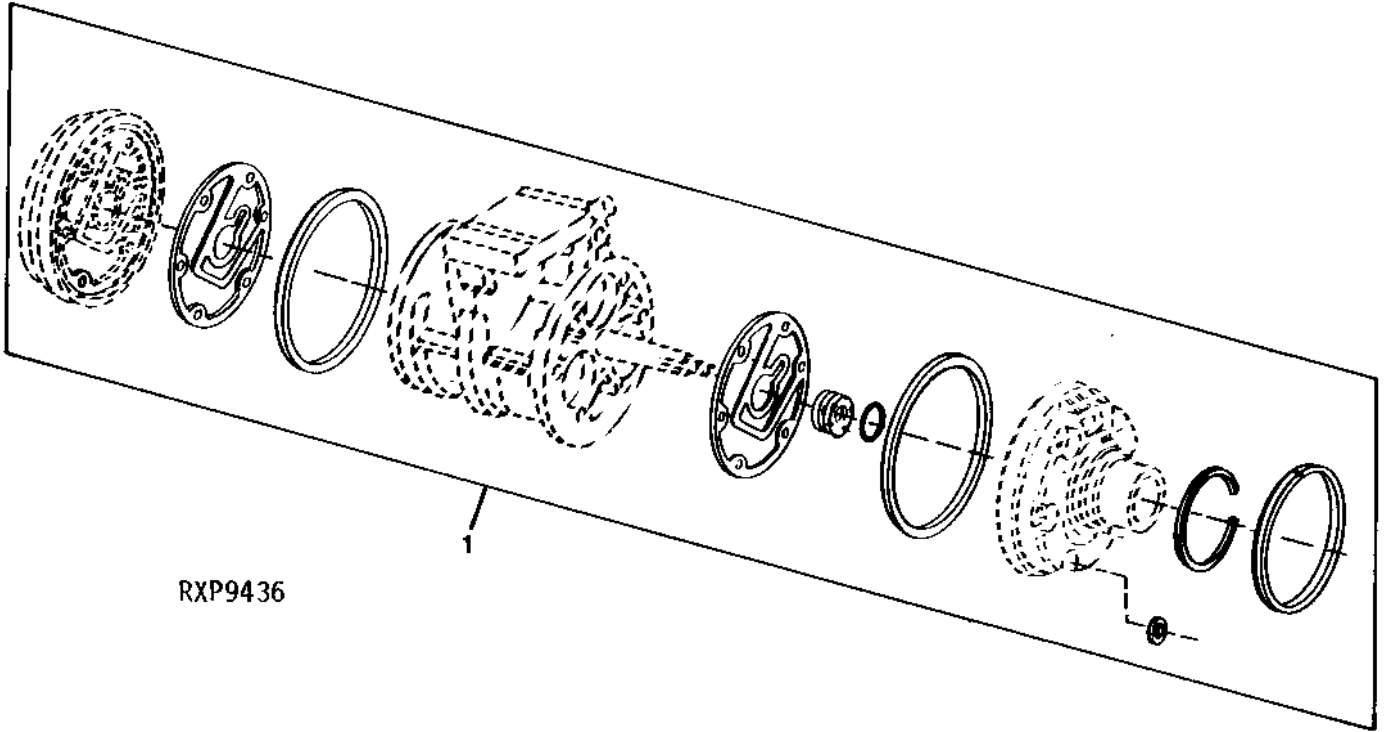
(A)REMANUFACTURED
 ECHNGE STANDARD
 GENERALUEBERHOLT
 RAFATTO
 REFARICADO POR
 RENOVERAD

(B)HARDENED
 TREMPE
 GEHAERTET
 TEMPRATO
 TEMPLADO
 HAERDAD

(C)COMPRESSOR ONLY
 COMPRESSEUR SEULEMENT
 NUR KOMPRESSOR
 SOLAMENTE IL COMPRESSORE
 SOLO COMLPRESOR
 ENDAST KOMPRESSOR

8H6

COMPRESSOR PARTS
 PIECES DE COMPRESSEUR
 KOMPRESSORTEILE
 COMPONENTI DEL COMPRESSORE
 COMPONENTES DEL COMPRESOR
 KOMPRESSORDELAR
 RXP9436 -UN-01JAN94

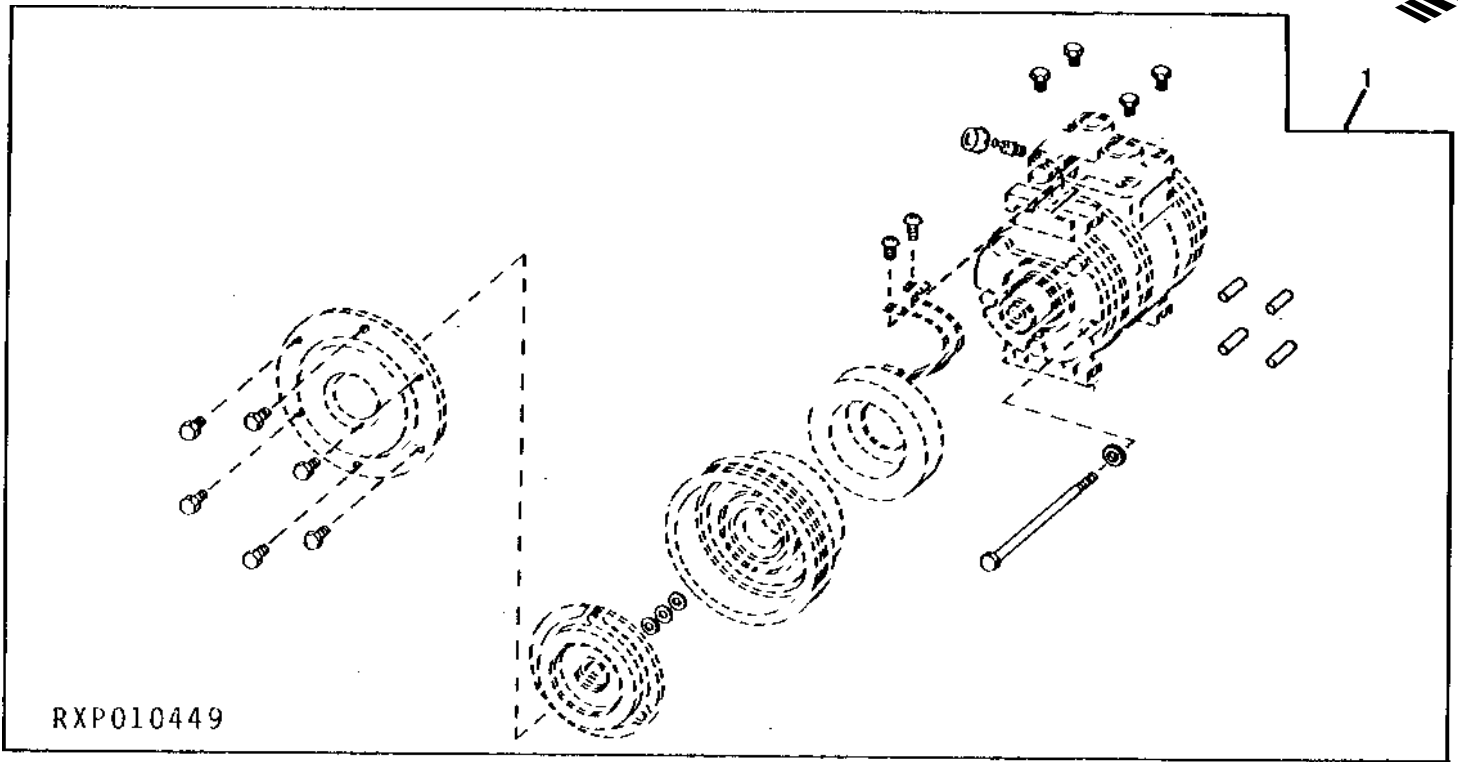


RXP9436

KEY	PART NO.	PART NAME	QTY	TRACTOR SERIAL NO.	A L L REMARKS
1	RE52509	SEAL KIT	1		X

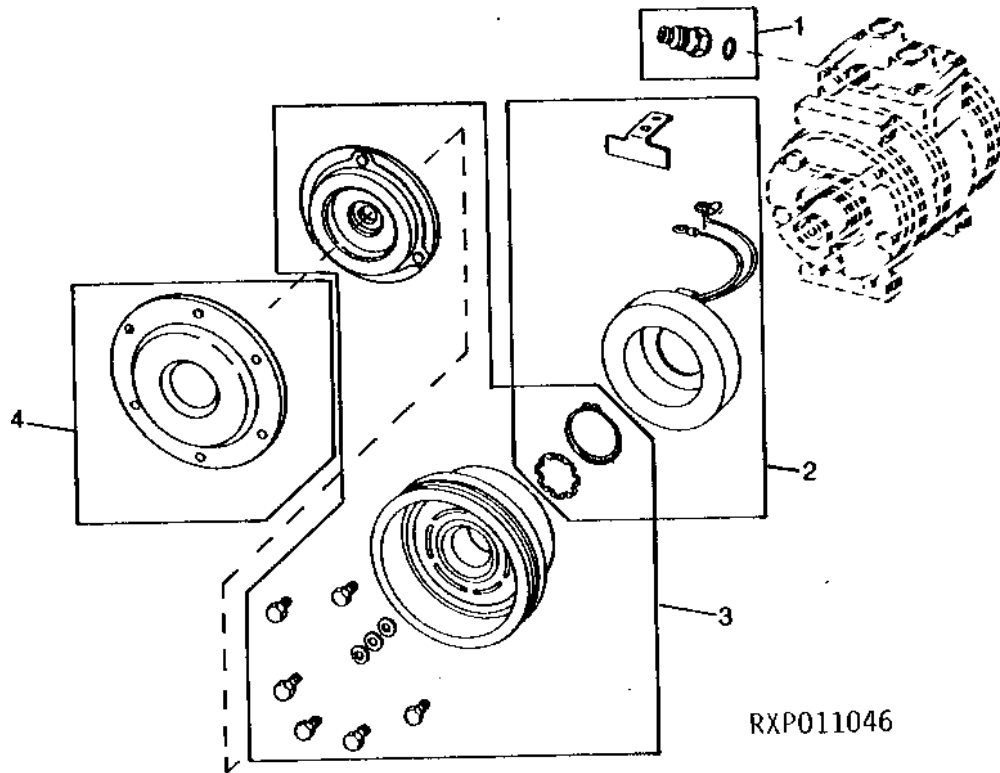
8H7

COMPRESSOR HARDWARE SET
 COLIS DE PIECES DE COMPRESSEUR
 KOMPRESSOR ANBAUSATZ
 SET APPARATO DI COMPRESSIONE
 JUEGO DE DE PIEZAS DEL COMPRESOR
 KOMPRESSOR, MONTERINGSDETALJER
 RXP010449 -UN-01JAN94



KEY	PART NO.	PART NAME	QTY	TRACTOR SERIAL NO.	A L L REMARKS
1	RE52507	KIT	1		X

COMPRESSOR CLUTCH/STATOR/DUST COVER
 EMBRAYAGE DE COMPRESSEUR/STATOR/CACHE-POUSSIÈRE
 KOMPRESSORKUPPLUNG/STAENDER/STAUBKAPPE
 REIZIONE DEL COMPRESSORE/STATORE/PARAPOLVERE
 CUBIERTA GUARDAPOLVO/ESTATOR/EMBRAGUE DEL COMPRESOR
 KOMPRESSORKOPPLING/STATOR/DAMMSKYDD
 RXP011046 -UN-01JAN94

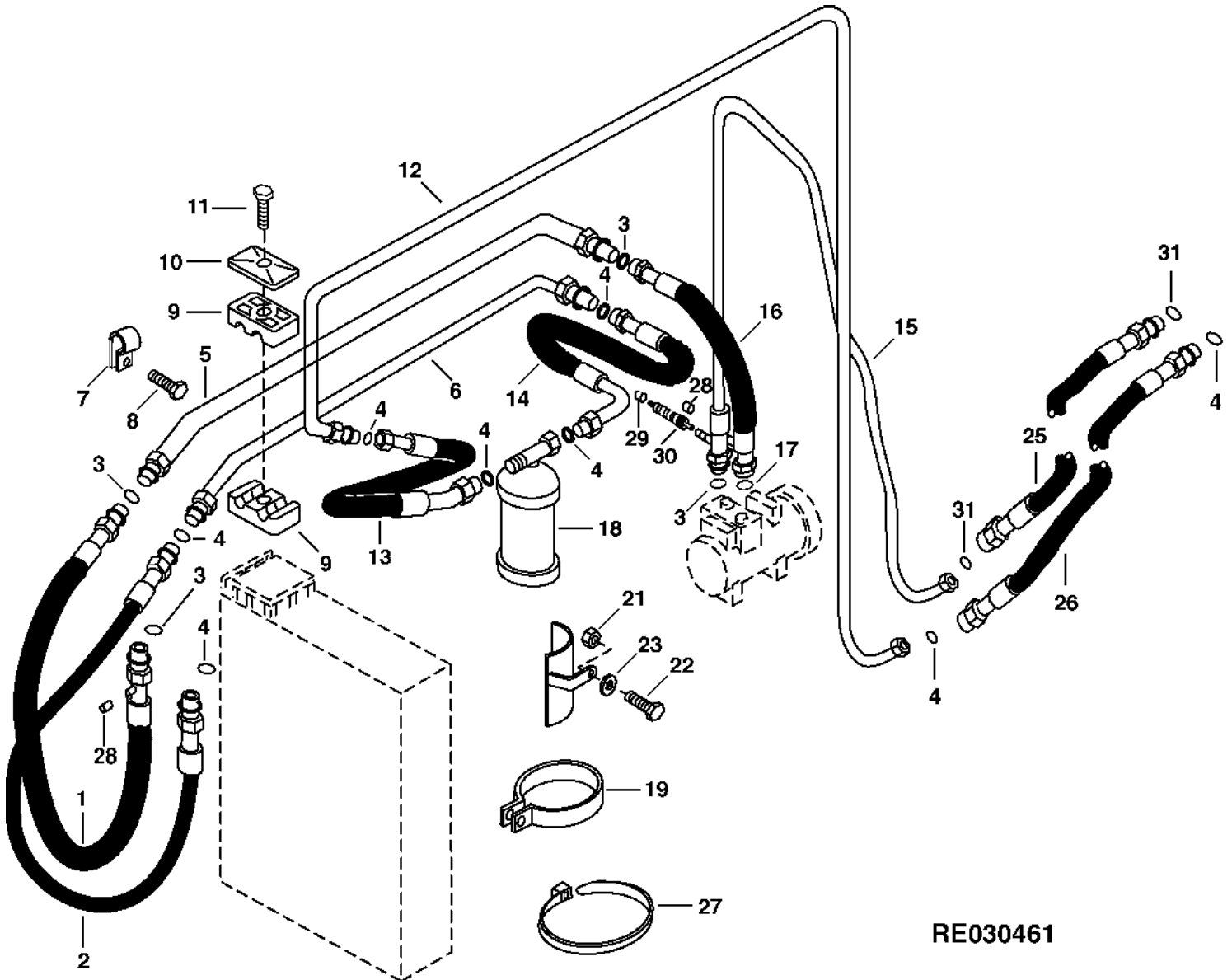


KEY	PART NO.	PART NAME	QTY	TRACTOR SERIAL NO.	A	REMARKS
					L	
1	RE52506	VALVE	1		X	
2	RE52510	STATOR	1		X	
3	RE52508	KIT	1		X	
4	R115743	COVER	1		X	

MEMORANDA
MEMORANDA
MEMORANDA
MEMORANDA
MEMORANDA

8H9

CONDENSOR LINES AND BRACKETS
CONDUITES DE CONDENSEUR ET SUPPORTS
KONDENSATORLEITUNGEN UND HALTER
STAFFE E TUBI DEL CONDENSATORE
TUBERIAS Y SOPORTES DEL CONDENSADOR
KONDENSORLEDNINGAR OCH HAALLARE
RE030461 -UN-24MAR99



RE030461

8H10

OPERATOR'S STATION ACCESSORIES

KEY	PART NO.	PART NAME	QTY	TRACTOR SERIAL NO.	A L L	REMARKS
1	RE61138	HOSE	1		X	
2	RE61137	LINE	1		X	
3	R33259	O-RING	AR		X	
4	R10093	O-RING	AR		X	
5	RE61146	LINE	1		X	LOW
6	RE61147	LINE	1		X	
7	R125484	CLAMP	1		X	(SUB T74416 AND 24M7238)
8	19M8008	CAP SCREW	1		X	M8 X 35
9	H114865	CLAMP	6		X	
10	H112567	PLATE	3		X	
11	37M7108	SCREW	3		X	M8 X 60
12	RE58706	LINE	1		X	
13	RE58828	HOSE	1		X	
14	RE58729	HOSE	1		X	
15	RE60685	LINE	1	-009999	X	
	RE69062	LINE	1	010000-	X	
	RE69063	LINE	1	010000-	X	(A)
16	RE155218	HOSE	1		X	(SUB FOR RE60684)
17	R113050	RING	1		X	
18	AT162848	RECEIVER-DRYER	1		X	(SUB FOR AT125596)
19	TY22474	CLAMP	1		X	
20	R122591	RAIL	1		X	
21	14M7273	NUT	1		X	M8
22	19M8539	CAP SCREW	1		X	M8 X 90
23	24M7055	WASHER	1		X	8.400 X 16 X 1.600 MM
24	T143169	O-RING	2		X	
25	RE66552	HOSE	1		X	(ALSO ORDER RE67291)
26	RE66553	HOSE	1		X	(ALSO ORDER RE67290)
27	R44302	TIE BAND	1		X	
28	R120955	CAP	1		X	LOW
29	R120956	CAP	1		X	HI
30	R124578	VALVE	3		X	
31	T77613	O-RING	2		X	
..	TY15939	O-RING KIT	1		X	

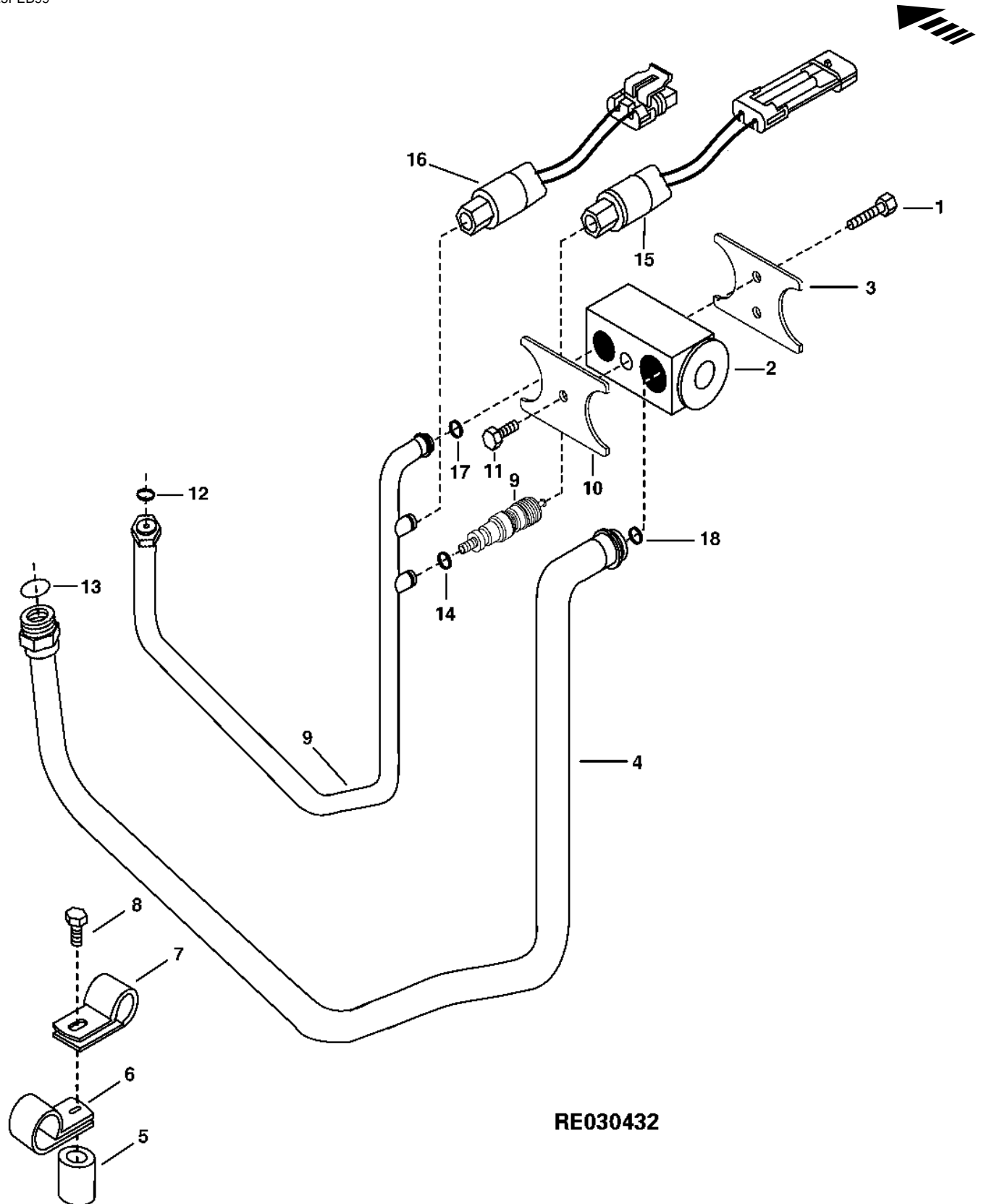
(A)W/ PNEUMATIC TRAILER BRAKE
W/ FREIN DE REMARQUE HYDR.
W/ HYDR, ANHAENGERBREMSE
W/ FRENO IDRAUL RIMORCHIO
W/ FRENO HIDRAULREMOLQUE
W/ SL'RVAGNSBROMS

8H11

OPERATOR'S STATION ACCESSORIES

REFRIGERANT LINES
CONDUITES DE REFRIGERANT
KUEHLMITTEL LEITUNG
TUBAZIONE DEL REFRIGERANTE
TUBERIAS YDE REFRIGERANTE
KYLMEDELEDNING

RE030432 -UN-25FEB99



RE030432

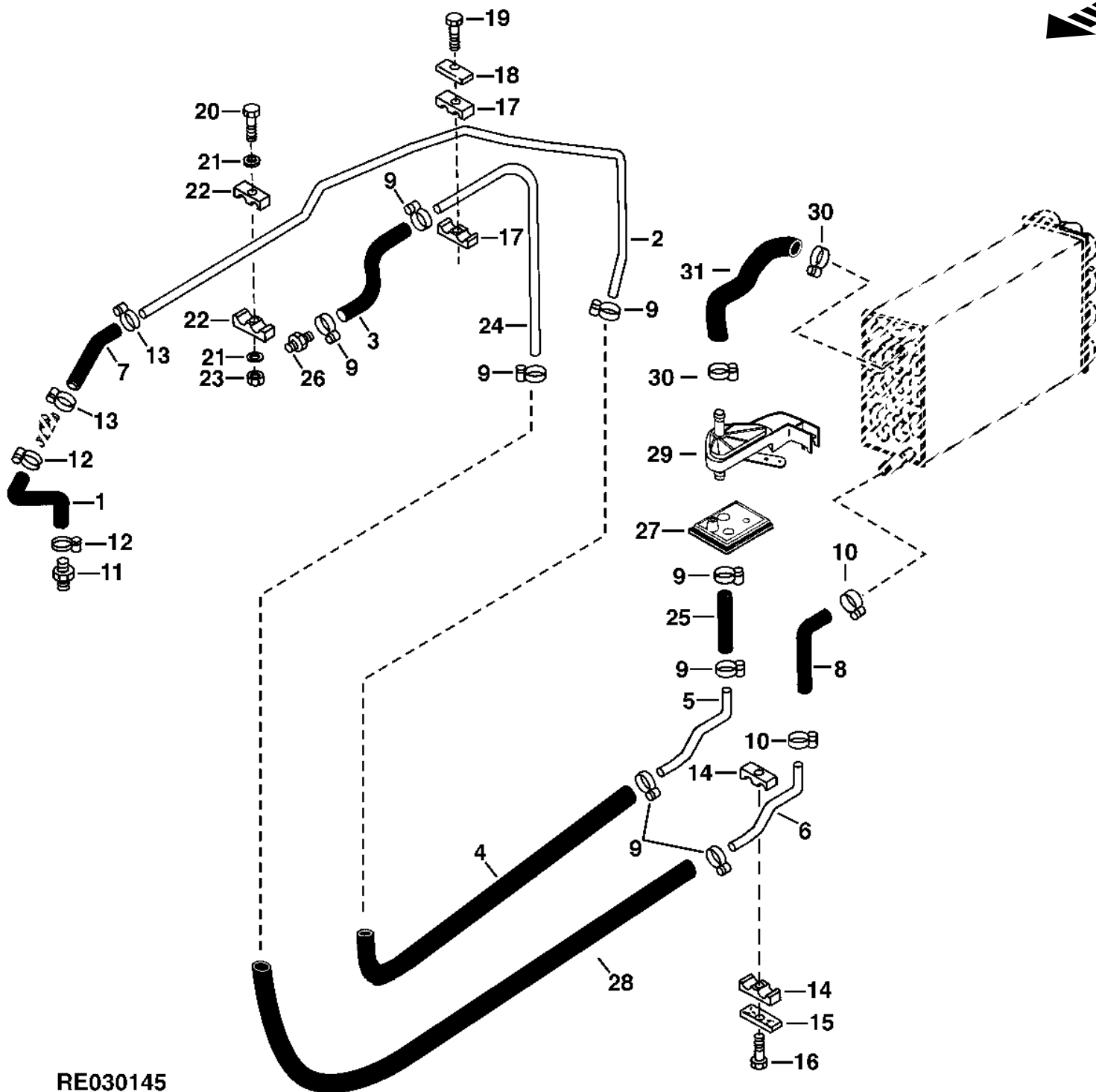
8H12

OPERATOR'S STATION ACCESSORIES

KEY	PART NO.	PART NAME	QTY	TRACTOR SERIAL NO.	A	REMARKS
					L	
1	PT11778	BOLT	2		X	
2	RE57575	VALVE	1		X	
3	L77943	PLATE	1		X	
4	RE61158	LINE	1	-009999	X	LOW
	RE67291	LINE	1	010000-	X	LOW
5	28H3390	SPACER	1		X	
6	AH78237	CLAMP	1		X	
7	H75541	CLAMP	1		X	
8	37M7108	SCREW	1		X	M8 X 60
9	RE69034	LINE	1	-009999	X	HI, (SUB FOR RE61157)
	RE67290	LINE	1	010000-	X	HI
10	R125223	PLATE	1		X	
11	19M8553	SCREW	1		X	M6 X 16
12	R10093	O-RING	1		X	
13	R33259	O-RING	1		X	
14	R10093	O-RING	2		X	
15	RE60888	AC HIGH PRESSURE SWITCH	1		X	HI
16	RE155938	AC LOW PRESSURE SWITCH	1		X	(SUB FOR RE60887) LOW
17	R10093	O-RING	1		X	
18	T143169	O-RING	1		X	
19	R124578	VALVE	1		X	(SUB FOR R60170)

8H13

HEATER HOSES
FLEXIBLE DE CHAUFFAGE
HEIZUNGSSCHLAUCH
TUBO DEL RISCALDATORE
MANGUERA DEL CALEFACTOR
SLANG FOER VAERMEAPPARAT
RE030145 -UN-09NOV98



RE030145

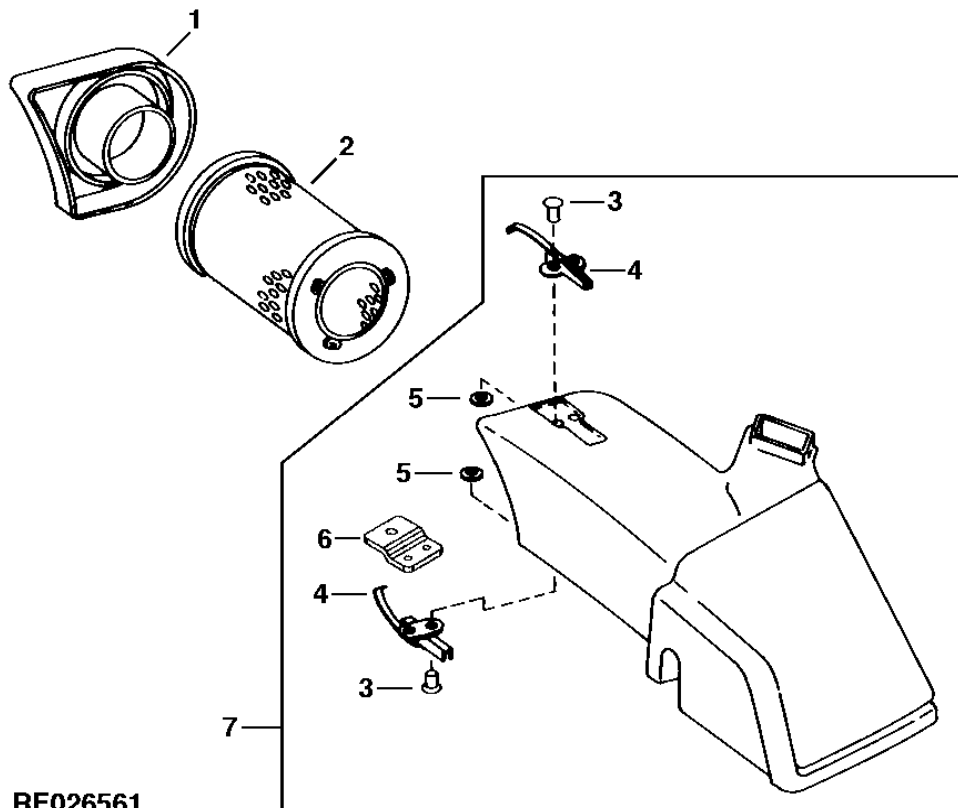
8H14

KEY	PART NO.	PART NAME	QTY	TRACTOR SERIAL NO.	A L L	REMARKS
1	R107666	HOSE	1		X	
	R125175	HOSE	1		X	(8400 ONLY)
2	R108312	LINE	1		X	(A)
3	HOSE	1		X	15.88 X 710 MM, (MAKE FROM TY22328)
4	R121965	HOSE	2	-009999	X	
	R131192	HOSE	2	010000-	X	
5	R122608	TUBE	1	-009999	X	(SUB R134885)
	R134886	LINE	1	010000-	X	
6	R122610	TUBE	1	-009999	X	(A) (SUB FOR R122610) REAR
	R134887	LINE	1	010000-	X	
7	R121969	HOSE	1		X	(MAKE FROM TY22413)
8	R151720	HOSE	1	-009999	X	(SUB FOR R124374)
	R154075	HOSE	1	010000-	X	(SUB FOR R132027 OR R151333)
9	R117721	CLAMP	AR		X	(SUB FOR AR21837 OR TY22465)
10	AT18904	CLAMP	2		X	(SUB FOR AR21837 OR TY22465)
11	R41985	FITTING	1		X	
12	TY22465	CLAMP	2		X	(SUB FOR AR21837)
13	TY22465	CLAMP	2		X	(SUB FOR AR21837)
14	H120847	CLAMP	4		X	
15	H121168	PLATE	2		X	
16	37M7103	SCREW	1		X	M8 X 45, FRONT
	37M7108	SCREW	1		X	M8 X 60, REAR
17	H114865	CLAMP	2		X	
18	H112567	PLATE	1		X	
19	37M7108	SCREW	1		X	M8 X 60
20	19M7922	CAP SCREW	1		X	M8 X 40
21	24M7207	WASHER	2		X	8.400 X 24 X 2 MM
22	H120362	CLAMP	2		X	
23	14M7273	NUT	1		X	M8
24	R130835	LINE	1		X	(SUB FOR R122034)
25	R134646	HOSE	1		X	
26	R41071	FITTING	1		X	
27	R124377	GROMMET	1		X	(SUB FOR R120321)
28	R122610	TUBE	1	-009999	X	
	R131193	HOSE	1	010000-	X	
29	RE47070	VALVE	1		X	
30	TY22467	CLAMP	2		X	
31	R125454	HOSE	1		X	

(A) RETURN
 RETOUR
 RUECKLAUF
 RITORNO
 RETORNO
 RETUR

8H15

FRESH AIR FILTER HOUSING
 FILTRE A AIR FRAIS, BOITIER
 FRISCHLUFT-FILTERGEHAEUSE
 ALLOGGIAMENTO DEL FILTRO ANTINQUINAMENTO
 CAJA DE FILTRO DE AIRE FRESCO
 FRISKLUFFILTERDOSA
 RE026561 -UN-29NOV95



RE026561

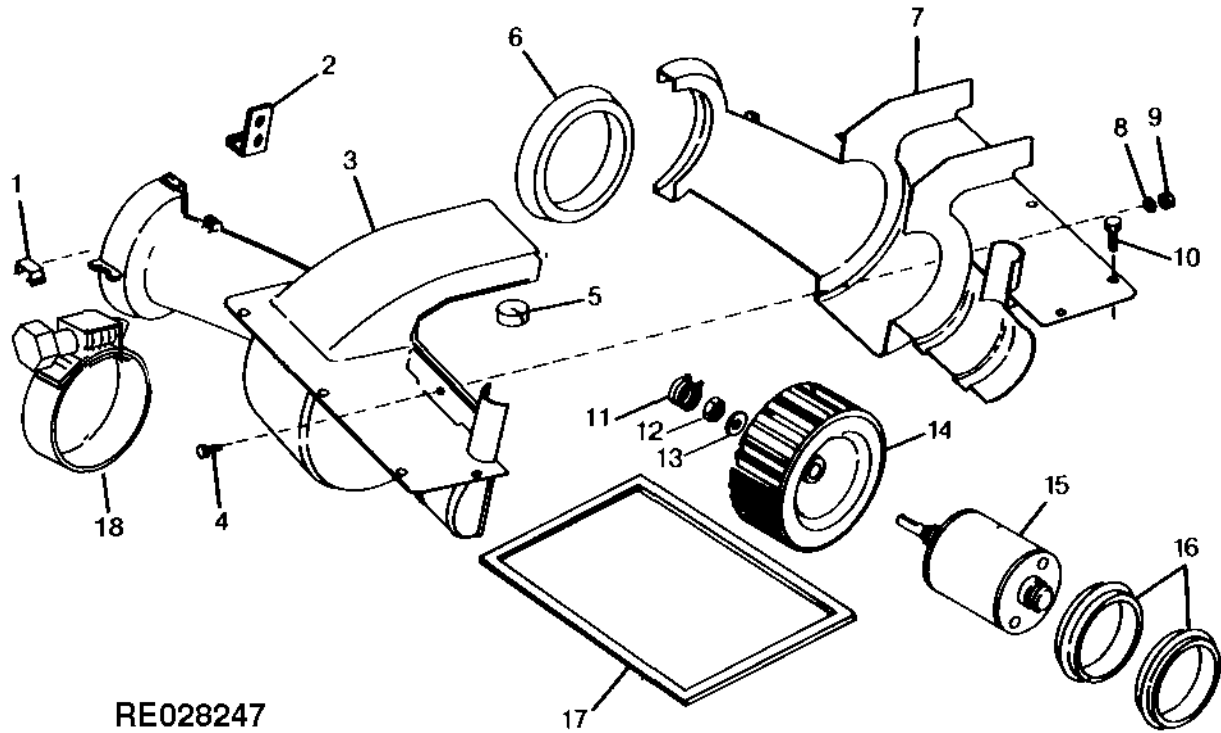
KEY	PART NO.	PART NAME	QTY	CAB SERIAL NO.	A L L	REMARKS
1	R116975	COVER	1		X	
2	R119168	AIR FILTER	1		X	
	RE67828	AIR FILTER	1		X (A)	
3	M96130	RIVET	4		X	
4	R121465	LATCH	2		X	
5	24M7138	WASHER	6		X	5.300 X 15 X 1.200 MM, (SUB FOR R124433)
6	R127647	BRACKET	1		X	
7	RE63563	AIR DUCT	1		X	(INCLUDES (2) M68628)

(A) HIGH EFFICIENCY
 HAUT RENDEMENT
 HOCHLEISTUNGSFAEHIG
 ALTA EFFICIENZA
 ALTA EFICIENCIA
 HOEG EFFEKTIVITET

8H16

OPERATOR'S STATION ACCESSORIES

PRESSURIZER BLOWER MOTOR
 MOTEUR DE SOFFLANTE PRESSURISEE
 DRUCKGEBLAESEMOTOR
 MOTORINO DEL VENTILATORE DEL PRESSURIZZATORE
 MOTOR DEL PRESURIZADOR
 TRYCKFLA EKTS MOTOR
 RE028247 -UN-25AUG97



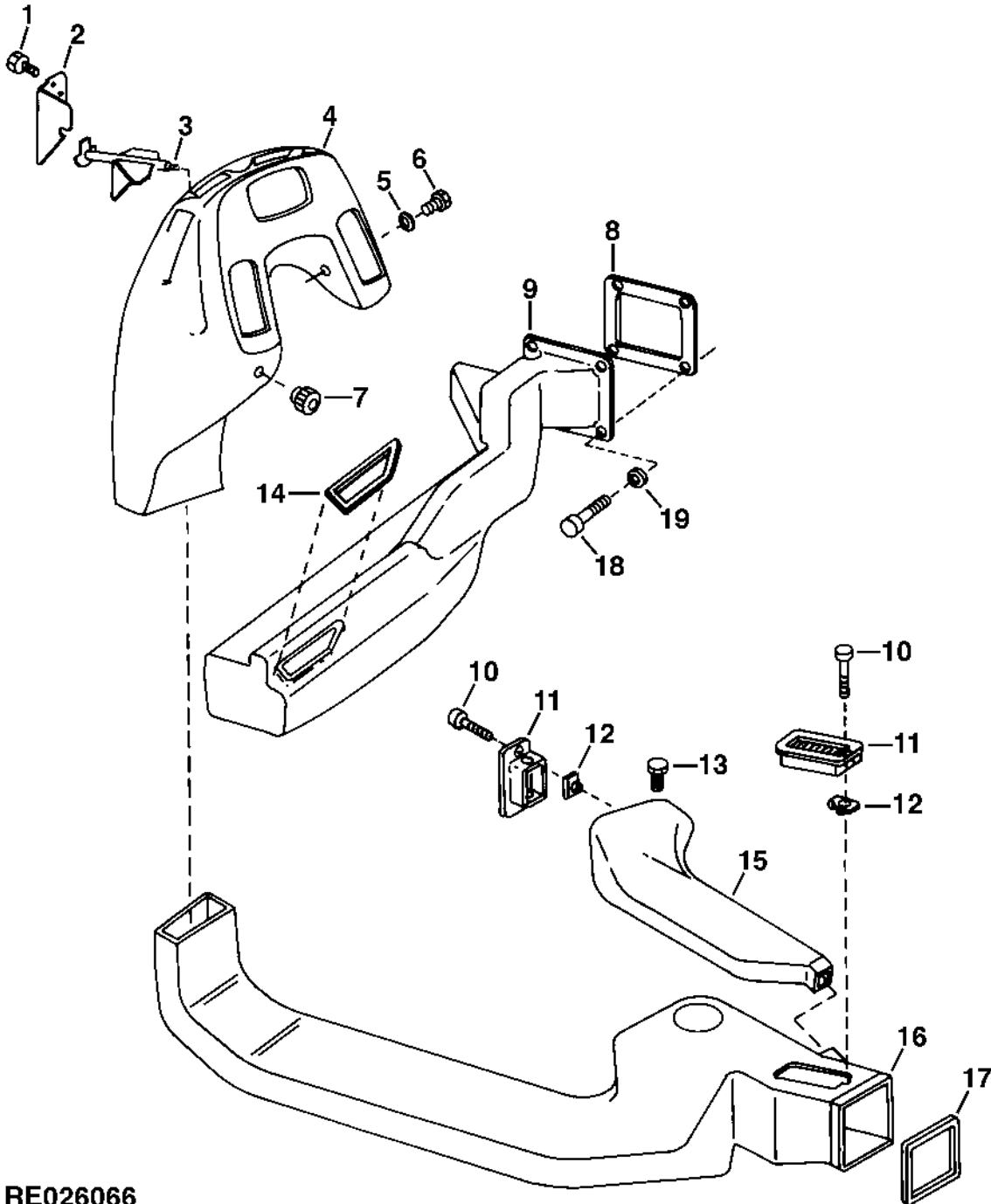
RE028247

KEY	PART NO.	PART NAME	QTY	CAB SERIAL NO.	A		REMARKS
					L	L	
1	R96248	CLIP	6		X		
2	R124209	BRACKET	1		X		
3	R116976	AIR DUCT	1		X		FRONT
4	19M7775	SCREW	1		X		M6 X 16
5	R125467	SEAL	1		X		
6	R119171	AIR DUCT	1		X		
7	R116977	AIR DUCT	1		X		(SUB FOR R97332)
8	24M7139	WASHER	1		X		6.400 X 18 X 1.600 MM, REAR
9	14M7272	NUT	1		X		M6
10	37M7089	SCREW	10		X		M6 X 12
11	R126547	CLIP	1		X		(SUB FOR R97332)
12	14M7139	NUT	1		X		M4
13	24M7146	WASHER	1		X		4.300 X 12 X 1 MM
14	R93175	IMPELLER	1		X		
15	RE61419	BLOWER	1		X		
16	H115521	ISOLATOR	2		X		
17	SEAL	1		X		(MAKE FROM (4) R83066)
18	AC15595	CLAMP	1		X		

8H17

OPERATOR'S STATION ACCESSORIES

AIR CIRCULATION DUCTS
CONDUITS DE CIRCULATION D'AIR
LUFTUMWÄLZ-KANÄLE
CONDOTTI DI CIRCOLAZIONE DELL'ARIA
CONDUCTOS DE CIRCULACION DE AIRE
LUFTCIRKULATIONSKANALER
RE026066 -UN-18OCT96



RE026066

8H18

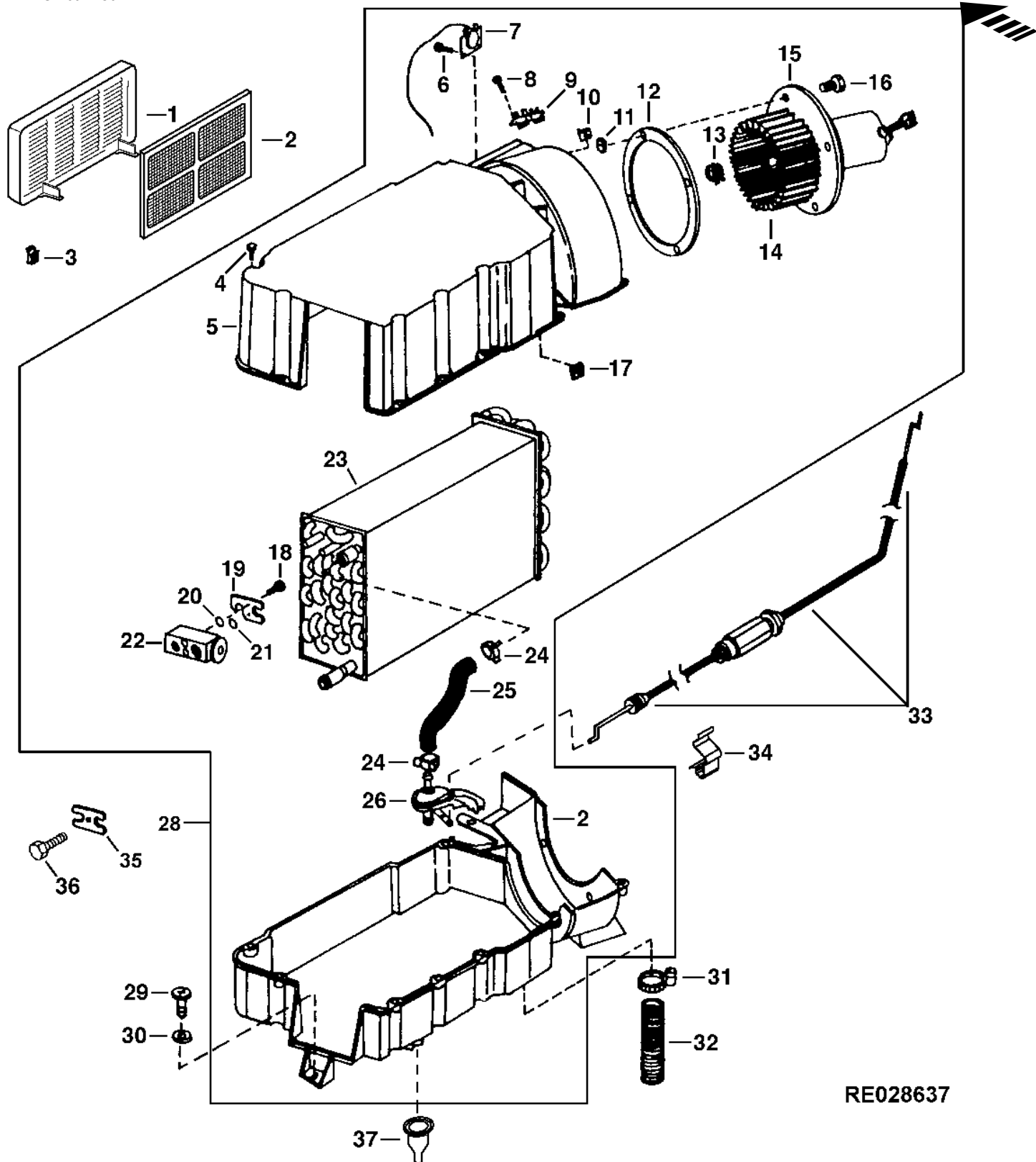
OPERATOR'S STATION ACCESSORIES

KEY	PART NO.	PART NAME	QTY	CAB SERIAL NO.	A L L	REMARKS
1	R55326	RIVET	4		X	
2	R122798	COVER	1		X	
3	R124210	DOOR	1		X	
4	RE60302	AIR DUCT	1		X	
5	24M7139	WASHER	2		X	6.400 X 18 X 1.600 MM
6	37M7089	SCREW	2		X	M6 X 12
7	R111632	KNOB	1		X	
8	R124495	SEAL	1		X	
9	R124378	AIR DUCT	1		X	
10	37H203	SCREW	1		X	
11	RE157244	LOUVER	1		X	(SUB FOR RE45293)
12	R64822	NUT	1		X	
13	37M7089	SCREW	1		X	M6 X 12
14	SEAL	AR		X	(MAKE FROM R83066)
15	R124238	AIR DUCT	1		X	
16	R108314	AIR DUCT	1		X	
17	SEAL	AR		X	(MAKE FROM R83066)

8H19

OPERATOR'S STATION ACCESSORIES

HEATER/AIR CONDITIONING MODULE ASSEMBLY
MODULE CHAUFFAGE/CLIMATISATION
HEIZUNG/KLIMAAANLAGEN-MODUL
MODULO DEL RISCALDATORE/ARIA CONDIZIONATA
MODULO DE CALEFACCION/ACONDICIONAMIENTO DE AIRE
VAERMEAPPARAT/LUFTKONDITIONERING,MODUL
RE028637 -UN-09DEC97



RE028637

8H20

OPERATOR'S STATION ACCESSORIES

KEY	PART NO.	PART NAME	QTY	CAB SERIAL NO.	A L L	REMARKS
1	R124332	BEZEL	1		X	
2	R120501	AIR FILTER	1	-XXXXXX	X	(C)
	RE70742	AIR FILTER	1	XXXXXX-	X	(D)
3	R135944	NUT	4		X	(SUB FOR R120160)
4	19M6614	CAP SCREW	13		X	M6 X 12
5	R121668	HOUSING	1	-XXXXXX	X	(C) (SUB FOR R136131) (ALSO ORDER R136350, R135753, RE152291, R153024, RE156958, (2) R135944, (2) 37M7088, R150307 AND R83066)
	R151326	HOUSING	1	XXXXXX-	X	(D)
6	H85092	SCREW	2		X	
7	AH144020	THERMOSTAT	1		X	
8	37M7073	SCREW	2		X	4.8 X 19 MM
9	RE49636	RESISTOR	1		X	
10	M74782	NUT	2		X	
11	M84972	NUT	4		X	
12	R121664	SEAL	1		X	
13	R126547	CLIP	1		X	(SUB FOR R97332)
14	R121666	IMPELLER	1		X	
15	RE67645	MOTOR	1		X	(SUB FOR RE57571 OR RE62653) (ALSO ORDER R121666 AND R126547)
16	19M7077	CAP SCREW	4		X	M6 X 20
17	R52130	LOCK NUT	2		X	
18	PT11778	BOLT	2		X	
19	L77943	PLATE	1		X	
20	R113050	RING	1		X	10.820 X 1.778 MM (0.426" X 0.070") 1/2"
21	R33259	O-RING	1		X	13.995 X 1.778 MM (0.551" X 0.070") 5/8"
22	RE57575	VALVE	1		X	
23	RE57574	EVAPORATOR	1		X	(INCLUDES RE57575)
24	R117721	CLAMP	2	-XXXXXX	X	(A)
	TY22467	CLAMP	2	XXXXXX-	X	(B)
25	R125454	HOSE	1		X	
26	RE47070	VALVE	1		X	
27	R121667	HOUSING	1	-XXXXXX	X	(C) (SUB R151326, R136350, R135753 AND RE152291)
	R136350	HOUSING	1	XXXXXX-	X	(D)
28	RE67665	MODULE	1	-XXXXXX	X	(C) (SUB RE71433)
	RE71433	MODULE	1	XXXXXX-	X	(D)
29	37M7090	SCREW	3		X	M6 X 16
30	24M7100	WASHER	3		X	6.600 X 22 X 2 MM
31	TY22462	CLAMP	1		X	(SUB FOR AR48236)
32	R88529	HOSE	1	-XXXXXX	X	(E)
	RE156958	HOSE	1	XXXXXX-	X	(F)
33	RE58614	CABLE	1		X	
34	L57881	CLIP	1		X	
35	R125223	PLATE	1		X	
36	19M7753	CAP SCREW	1		X	M12 X 70
37	R135753	TERMINAL NIPPLE	1	XXXXXX-	X	(D)

(A) (-XXXXXX) 8100-011126; 8200-011069; 8300-011136; 8400-011166

(B) (XXXXXX-) 8100-011127; 8200-011070; 8300-011137; 8400-011167

(C) (-XXXXXX) 8100-013076; 8200-012539; 8300-013594; 8400-013482 TSN

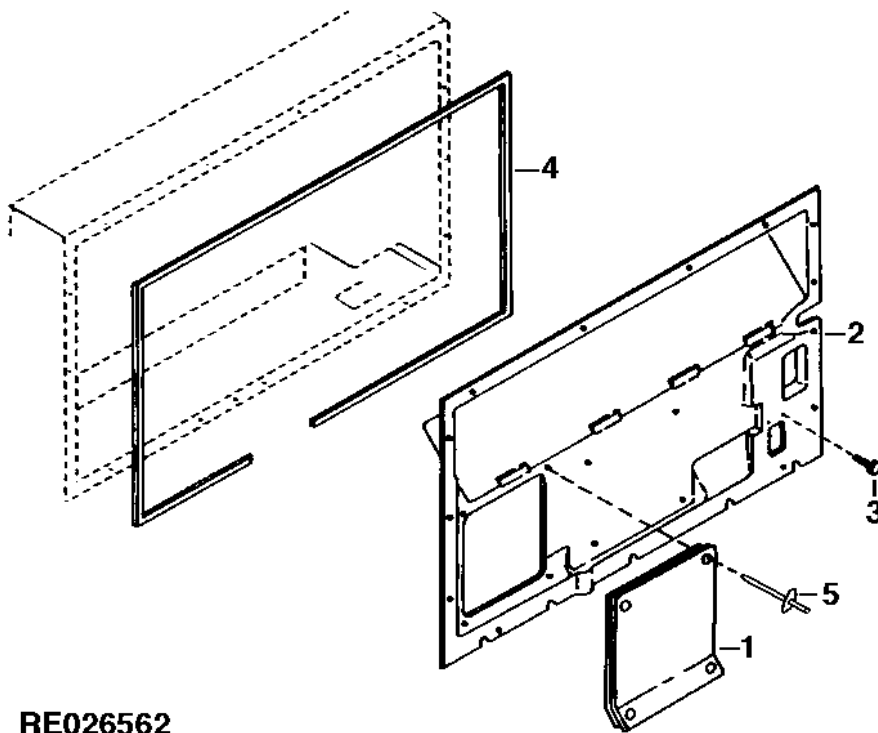
(D) (XXXXXX-) 8100-013077; 8200-012540; 8300-013595; 8400-013483 TSN

(E) (-XXXXXX) 8100-021347; 8200-021124; 8300-021975

(F) (XXXXXX-) 8100-021348; 8200-021125; 8300-021976

8H21

HEATER/AIR CONDITIONING COMPARTMENT COVER
 COUVERCLE DE COMPARTIMENT CHAUFFAGE/CLIMATISATION
 HEIZUNG/KLIMAALAGEN-RAUMABDECKUNG
 COPERCHIO DEL COMPARTIMENTO DEL RISCALDATORE/ARIA CONDIZIONATA
 TAPA DEL COMPARTIMENTO DE CALEFACCION/ACONDICIONAMIENTO DE AIRE
 VAERMEAPPARAT/LUFTKONDITIONERING,SKYDD FOER UTRYMME
 RE026562 -UN-29NOV95



RE026562

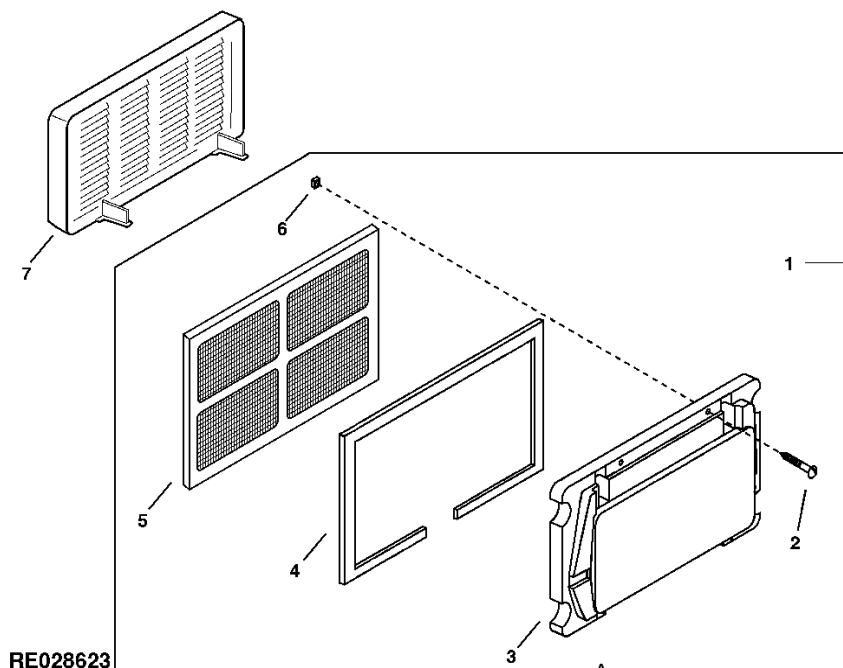
KEY	PART NO.	PART NAME	QTY	CAB SERIAL NO.	A	L	REMARKS
					L	L	
1	RE61802	COVER	1	-XXXXXX	X		(A)
	RE65502	COVER	1	XXXXXX-	X		(B)
2	R133529	COVER	1		X		(SUB FOR R124231)
3	37M7089	SCREW	20		X		M6 X 12
4	SEAL	AR		X		(MAKE FROM (4) R83066)
5	37M7218	SCREW	4	-XXXXXX	X		(A)
	L39134	RIVET	4	XXXXXX-	X		(B)

(A) (-XXXXXX) 8100-003083; 8200-002438; 8300-004190; 8400-002748

(B) (XXXXXX-) 8100-003084; 8200-002439; 8300-004191; 8400-002749

8H22

ULTRA GUARD FILTER INSTALLATION KIT(81 -013076;82 -012539;83 -013594;84 -013482)(TSN)
 INSTALLATION DE FILTRE ULTRA A SERVICE INTENSIF(81 -013076;82 -012539;83 -013594;84 -013482)TSN
 VERSTÄRKTER ULTRA GUARD FILTEREINBAU-TEILESATZ(81 -013076;82 -012539;83 -013594;84 -013482)TSN
 INSTALLAZIONE FILTRO ULTRA PER SERVIZIO PESANTE(81 -013076;82 -012539;83 -013594;84 -013482)TSN
 INSTALACION DE FILTRO ULTRA PARA SEVICIO SEVERO(81 -013076;82 -012539;83 -013594;84 -013482)TSN
 INSTALLATIONSSATS MED EXTRA KRAFTIGT ULTRA FILTER(81 -013076;82 -012539;83 -013594;84 -013482)TSN
 RE028623 -UN-25NOV97



KEY	PART NO.	PART NAME	QTY	TRACTOR SERIAL NO.	A L L	REMARKS
1	RE152291	KIT	1		X	
2	37M7088	SCREW	2		X	(A)
3	R150307	HOUSING	1		X	
4	R83066	ISOLATOR	1		X	(ALSO ORDER R153026)
5	RE70742	AIR FILTER	1		X	
6	R135944	NUT	2		X	
7	R124332	BEZEL	1		X	

(A) HIGH EFFICIENCY
 HAUT RENDEMENT
 HOCHLEISTUNGSFAEHIG
 ALTA EFFICIENZA
 ALTA EFICIENCIA
 HOEG EFFEKTIVITET

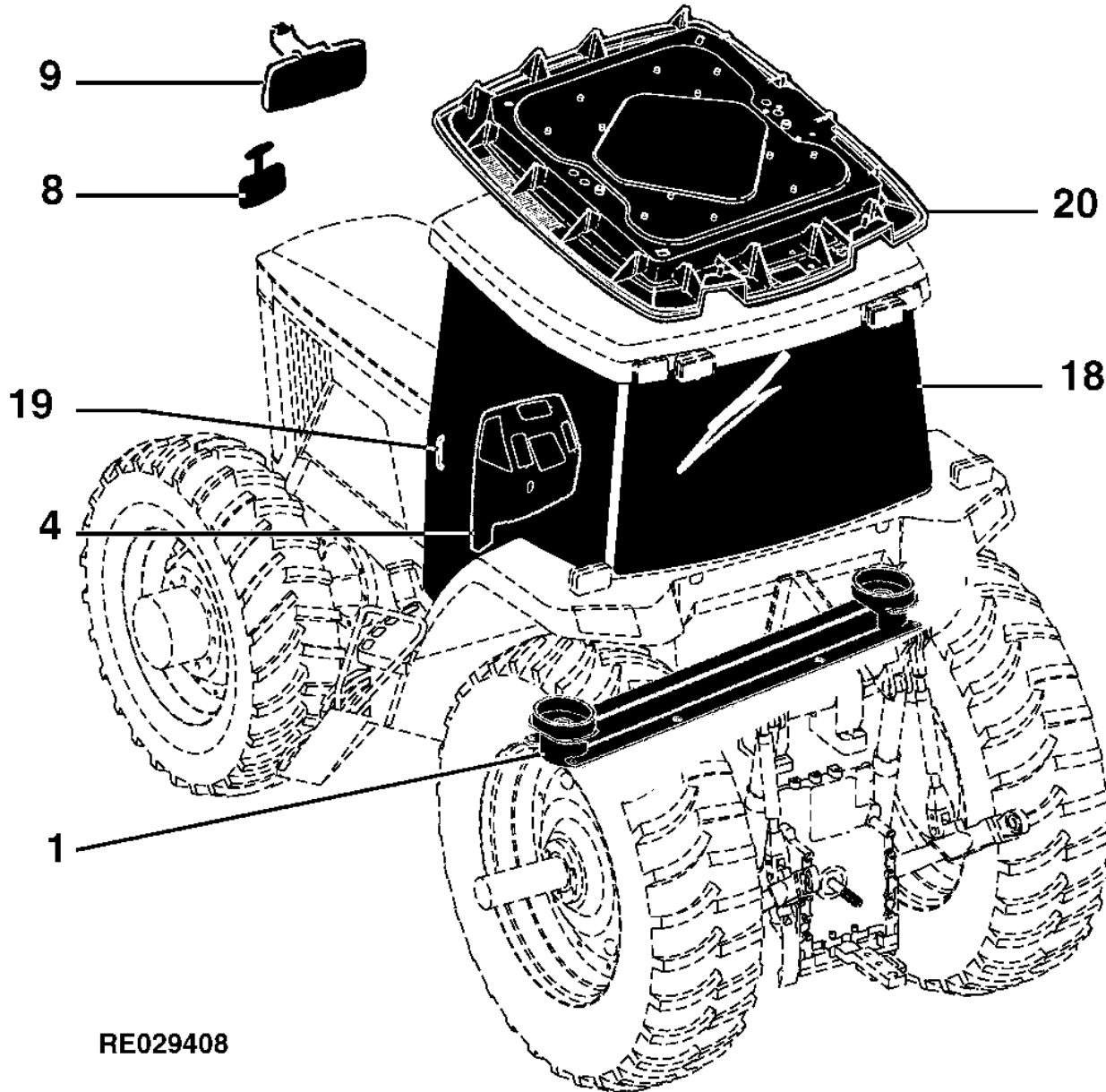
MEMORANDA
MEMORANDA
MEMORANDA
MEMORANDA
MEMORANDA

9D3

OPERATOR'S STATION

SECTIONAL INDEX
INDEX DE SECTION
GRUPPENINDEX
INDICE DELLA SEZIONE
INDICE DE SECCION
GRUPPSFORTECKNING

RE029408 -UN-10MAY99



1 -	9D9
2 -	9D13
3 -	9D15
4 -	9D17
5 -	9D21
6 -	9D23
9 -	9D25
7 -	9E3
8 -	9E4
9 -	9E5
10 -	9E6
11 -	9E9
12 -	9E11
13 -	9E13
14 -	9E15
15 -	9E22
16 -	9E24
17 -	9F1
18 -	9F4
19 -	9F6
20 -	9F12
21 -	9F13

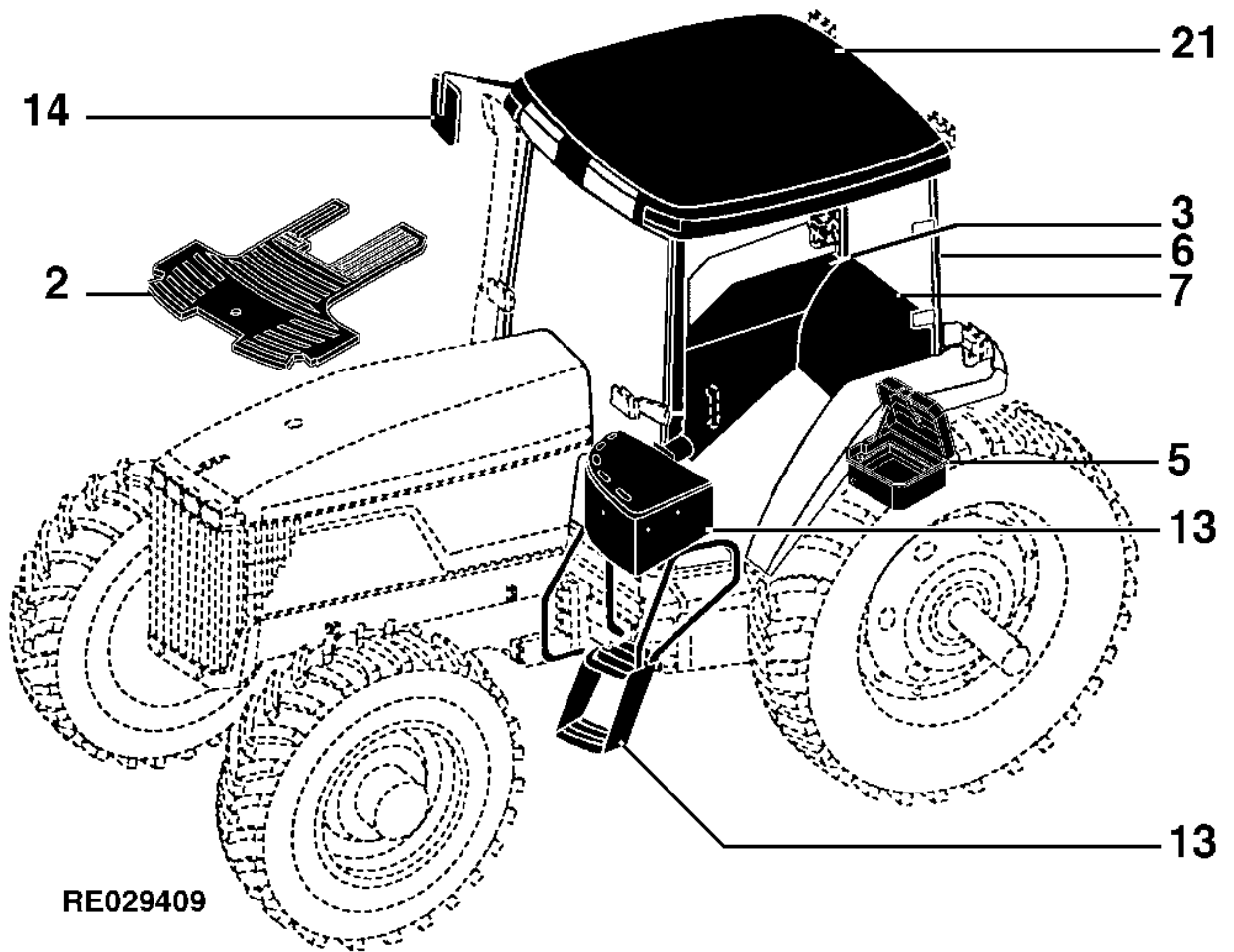
RE029408

9D4

SECTIONAL INDEX
INDEX DE SECTION
GRUPPENINDEX
INDICE DELLA SEZIONE
INDICE DE SECCION
GRUPPSFORTECKNING

RE029409 -UN-10MAY99

1-	9D9
2-	9D13
3-	9D15
4-	9D17
5-	9D21
6-	9D23
9-	9D25
7-	9E3
8-	9E4
9-	9E5
10-	9E6
11-	9E9
12-	9E11
13-	9E13
14-	9E15
15-	9E22
16-	9E24
17-	9F1
18-	9F4
19-	9F6
20-	9F12
21-	9F13



RE029409

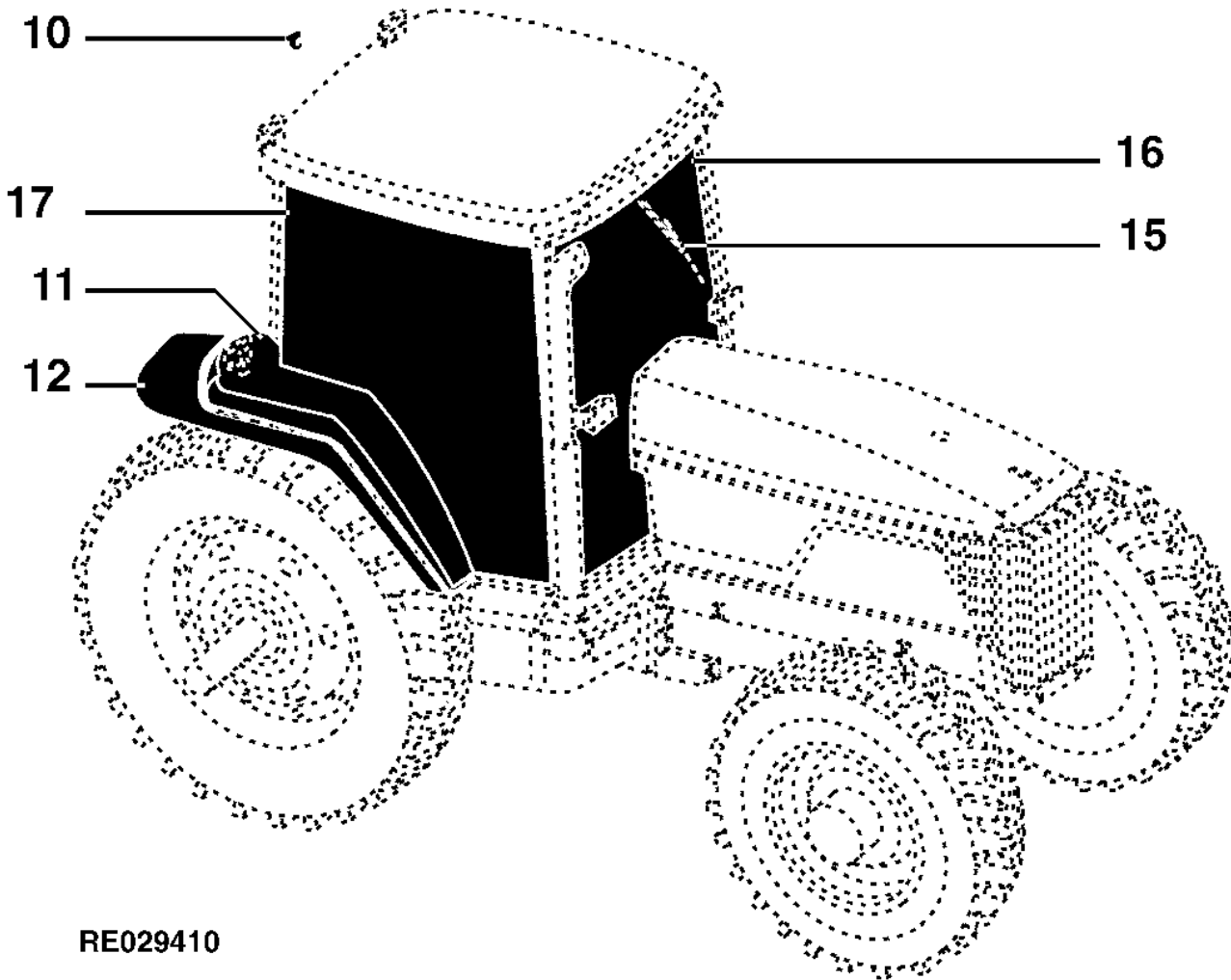
9D5

OPERATOR'S STATION

SECTIONAL INDEX
INDEX DE SECTION
GRUPPENINDEX
INDICE DELLA SEZIONE
INDICE DE SECCION
GRUPPSFORTECKNING

RE029410 -UN-10MAY99

1 -	9D9
2 -	9D13
3 -	9D15
4 -	9D17
5 -	9D21
6 -	9D23
9 -	9D25
7 -	9E3
8 -	9E4
9 -	9E5
10 -	9E6
11 -	9E9
12 -	9E11
13 -	9E13
14 -	9E15
15 -	9E22
16 -	9E24
17 -	9F1
18 -	9F4
19 -	9F6
20 -	9F12
21 -	9F13



RE029410

9D6

OPERATOR'S STATION

SECTIONAL INDEX
INDEX DE SECTION
GRUPPENINDEX
INDICE DELLA SEZIONE
INDICE DE SECCION
GRUPPSFORTECKNING

MEMORANDA
MEMORANDA
MEMORANDA
MEMORANDA
MEMORANDA

9D7

OPERATOR'S STATION

CAB (BASIC UNIT OR FULLY TRIMMED)
CABINE (UNITE DE BASE OU COMPLETEMENT EQUIPEE)
FAHRERKABINE (STANDARD ODER VOLL AUSGESTATET)
CABINA (UNITA DI BASE OPPURE CON ACCESSORI)
CABINA (UNIDAD BASICA O COMPLETAMENTE EQUIPADO)
HYTT (UTAN LOESA DETALJER ELLER KOMPLETT)
RXP011268 -UN-01JAN94



RXP011268

KEY	PART NO.	PART NAME	QTY	TRACTOR SERIAL NO.	A L L REMARKS
1	CAB	1		X (A) (B)

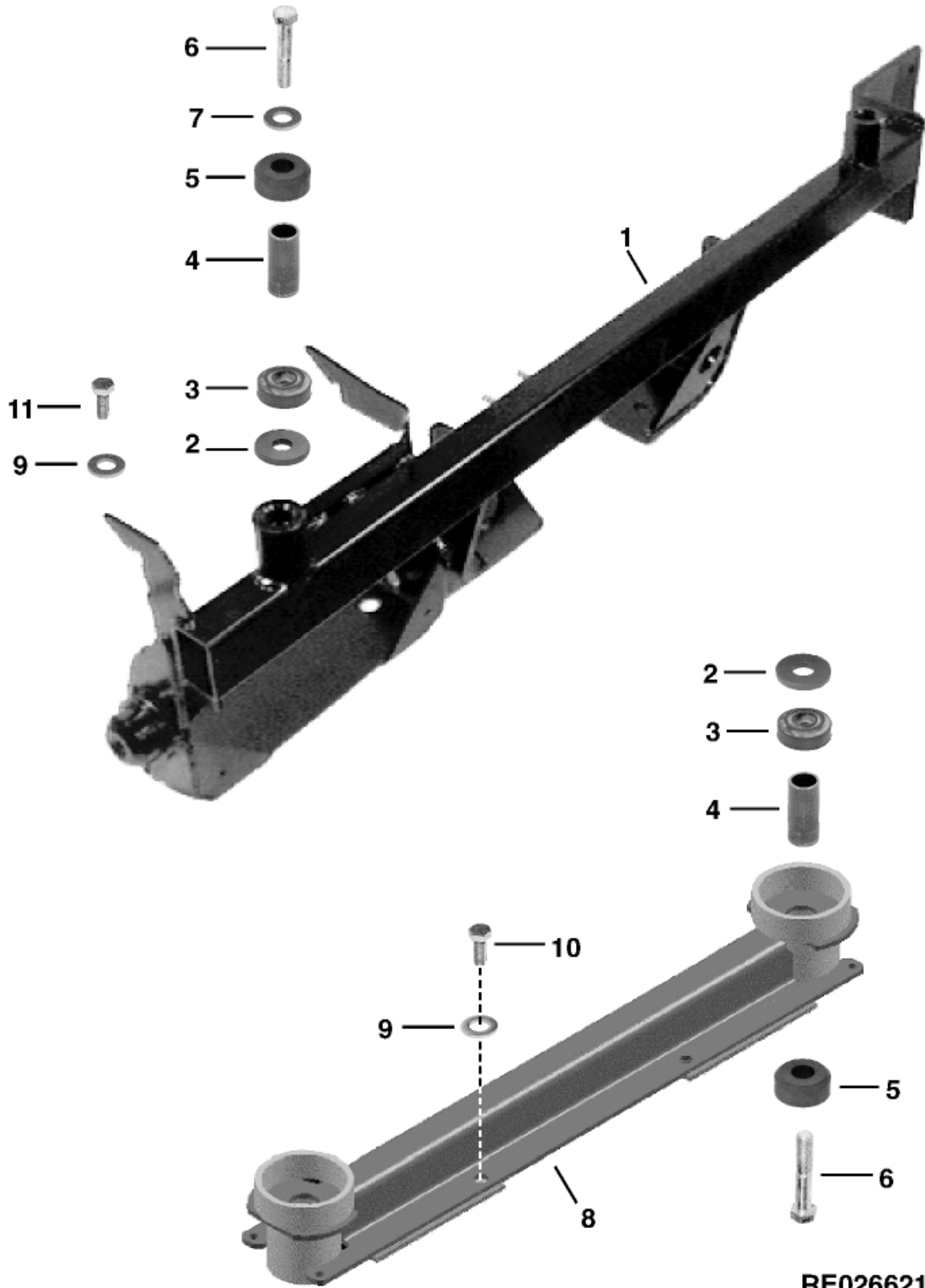
(A)ORDER THROUGH BRANCH SERVICE MANAGER OR COMPLETE GOODS MANAGER.
 COMMANDER PAR L'INTERMEDIAIRE DU RESPONSABLE DU SERVICE SPRES VENTE
 DURCH FILIALKUNDENDIENSTLEITER ODER VERKAUFSABTEILUNG BESTELLEN
 ORDINAZIONE PRESSO DIRETTORE FILLIALE DI ASSISTENZA O DIRETTORE PRODOTTI FINITI
 PIDALO A TRAVAES DEL GERENTE DE SERVICIO DE SUCURSAL O IL GERENTE DE PRODUCTOS COMPLETOS
 BESTAELL GENOM PILIALENS SERVICECHEF ELLER LEVRANSCHF

(B)REPLACEMENT CAB SERVICE PARTS CAN BE FOUND IN THE CATALOG FOR CURRENTLY BUILT TRACTOR.
 LES PIECES DE RECHANGE DE CABINE SE TROUVENT DANS LE CATALOGUE DU TRACTEUR FABRIQUE
 KABINEN-ERSATZTEILE WERDEN IM KATALOG FUER AKTUELL IN PRODUKTION BEFINDLICHE TRAKTOREN
 LE PARTI DI RICAMBIO PER LA CABINA SONO REPERIBILI NEL CATALOGO DEL TRATTORE DI FABBRICAZIONE
 LOS REPUESTOS PARA LA CABINA PUEDEN HALLARSE EN EL CATALOGO CORRESPONDIENTE AL TRACTOR EN
 UTBYTESDELAR FOER HYTTEN FINNS I KATALOGEN FOER AKTUELLT PRODUCERADE TRAKTORER.

9D9

OPERATOR'S STATION

CAB MOUNTS
MONTURES CABINE
BEFESTIGUNGEN FAHRERKABINE
SUPPORTI E STAFFE CABINA
CABINA MONTAJES
UNDERLAG OCH FAESTEN HYTT
RE026621 -UN-08DEC95



KEY	PART NO.	PART NAME	QTY	TRACTOR SERIAL NO.	A L L	REMARKS
1	RE63494	MOUNTING PARTS	1	-009999	X	(SUB FOR RE44818) FRONT
	RE71382	MOUNTING PARTS	1	010000-	X	(SUB FOR RE69102 OR RE67508) FRONT
2	R87656	WASHER	4		X	
3	R88167	RUBBER MOUNT	4	-XXXXXX	X	(A) LOW
	RE62910	RUBBER MOUNT	4	XXXXXX-	X	(B) LOW
4	R122570	SLEEVE	4	-XXXXXX	X	(C)
	R128179	SLEEVE	4	XXXXXX-	X	(D)
5	RE58723	RUBBER MOUNT	1	-XXXXXX	X	(A) UP
	RE62901	RUBBER MOUNT	1	XXXXXX-	X	(B) (INCLUDES R122846) UP
6	19M7903	CAP SCREW	2		X	M24 X 120
7	R128829	SHIM	1		X	(G)
	R128779	WASHER	AR		X	(H)
8	RE49931	CAB MOUNT	1	-XXXXXX	X	(E) (INCLUDES R59575) REAR
	RE63452	CAB MOUNT	1	XXXXXX-	X	(F) (INCLUDES R59575) REAR
9	24M7338	WASHER	8		X	17 X 30 X 3 MM
10	19M7489	CAP SCREW	8		X	M16 X 45
11	19M7488	CAP SCREW	2		X	M16 X 40

(A) (-XXXXXX) 8100-001112; 8200-001116; 8300-001395; 8400-001051
 (B) (XXXXXX-) 8100-001113; 8200-001117; 8300-001396; 8400-001052

(C) (-XXXXXX) 8100-001606; 8200-001545; 8300-002692; 8400-001271
 (D) (XXXXXX-) 8100-001607; 8200-001546; 8300-002693; 8400-001272

(E) (-XXXXXX) 8100-001515; 8200-001474; 8300-002539; 8400-001129
 (F) (XXXXXX-) 8100-001516; 8200-001475; 8300-002540; 8400-001130

(G) STIFFER RIDE
 SUSPENSION PLUS FERME
 HAERTERE FEDRUNG
 GUIDA PIU RIGIDA
 SUSPENSION MAS FIRME
 HAARDARE FJADRING

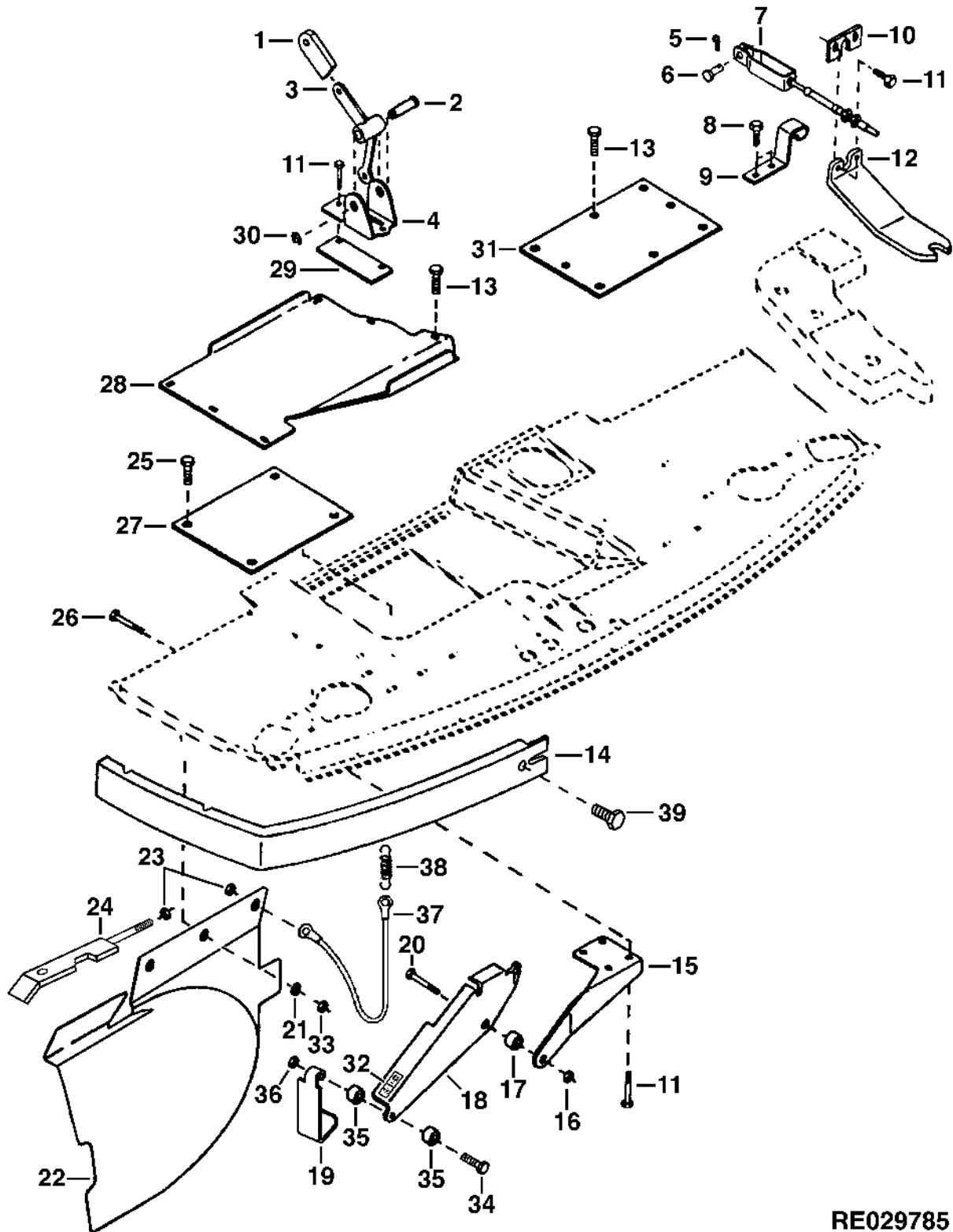
(H) LOOSER RIDE
 SUSPENSION PLUS DOUCE
 WEICHERE FEDERUNG
 GUIDA PIU MORBIDA
 SUSPENSION MAS SUAVE
 MJUKARE FJAEDRING

9D11

OPERATOR'S STATION

FLOOR
PLANCHER
FUSSBODEN
PAVIMENTO
PISO
GOLV
RE029785

-UN-20JUL98



RE029785

KEY	PART NO.	PART NAME	QTY	CAB SERIAL NO.	A L L	REMARKS
1	L55210	GRIP	1		X	
2	AT127547	PIN	9		X	
3	RE60644	BELLCRANK	1		X	
4	R121926	PIVOT	1		X	
5	A5067R	SPRING LOCKING PIN	1		X	
6	J19366	PIN	1		X	
7	RE61051	CABLE	1		X	
8	37M7089	SCREW	4		X	M6 X 12
9	R119604	BRACKET	1		X	
10	R125144	CLIP	1		X	
11	37M7089	SCREW	16		X	M6 X 12
12	R124005	BRACKET	1		X	
13	37M7089	SCREW	18		X	M6 X 12
14	R116292	RISER	1		X	R.H.
	R116290	RISER	1		X	L.H.
15	R124841	PIVOT	1		X	
16	14M7397	LOCK NUT	1		X	M6
17	R126776	WASHER	2		X	(SUB FOR R40685)
18	R124839	LEVER	1		X	
19	R124840	LATCH	1		X	
20	R119203	SCREW	1		X	
21	24M7139	WASHER	6		X	6.400 X 18 X 1.600 MM
22	R127248	FENDER	1		X	R.H. LOW, (SUB FOR R120568)
	R133598	EXTENSION	1	025617-	X	(L) (.) (H) (.) L.H.
23	14M7298	FLANGE NUT	3		X	M8
24	RE60694	BRACKET	1	-025616	X	
	RE153152	BRACKET	2	025617-	X	L.H. LOW
25	37M7079	SCREW	4		X	
26	19M7862	SCREW	6		X	M6 X 20
27	R120515	PLATE	1		X	
28	R124255	FOOTREST	1		X	
29	R122015	PLATE	1		X	
	R121162	SEAL	1		X	(A)
30	R108214	CLIP	1		X	
31	R121977	PLATE	1		X	
32	R125345	DECAL	1		X	
33	14M7272	NUT	3		X	M6, R.H.
	R151387	NUT	3	025617-	X	L.H.
34	19M7796	SCREW	1		X	M6 X 30
35	R126776	WASHER	3		X	
36	14M7397	LOCK NUT	1		X	M6
37	R111289	CABLE	1		X	
38	R125024	SPRING	1		X	

(A)W/TOW DISCONNECT

W/REMORQUE, DISPOSITIF DE DESACCOUPLLEMENT

W/ABSCHLEPP-AUSRUECKUNG

W/DISINSERIMENTO DEL TRAINO

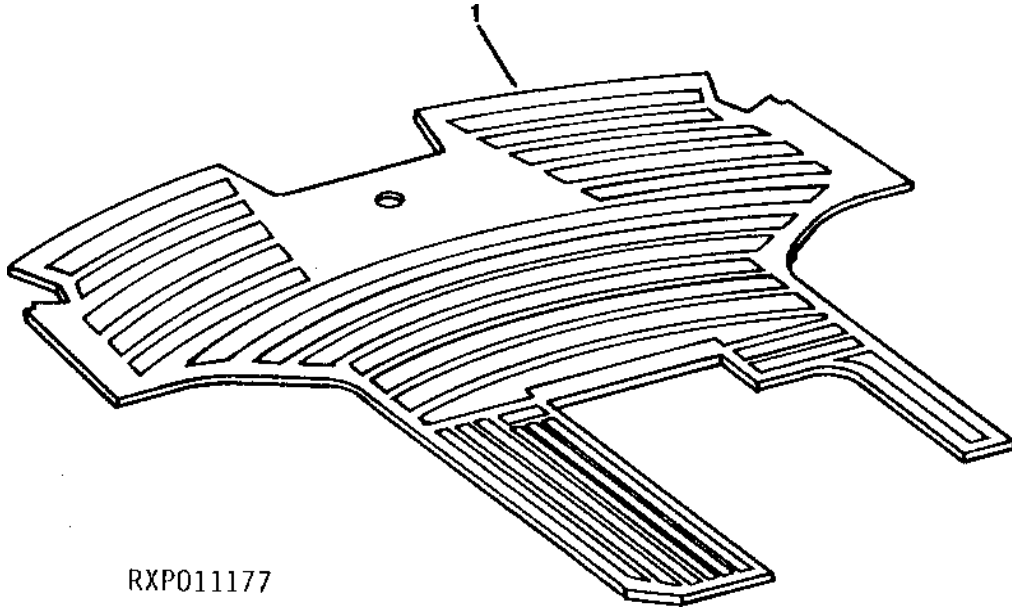
W/DESCONEXION PARA REMOLCAR

W/BOGSEERINGSURKOPPLING

9D13

OPERATOR'S STATION

FLOOR MAT
 TAPIS
 FUSSMATTE
 TAPPETINO
 FELPUDO
 DURKMATTA
 RXP011177 -UN-01JAN94



RXP011177

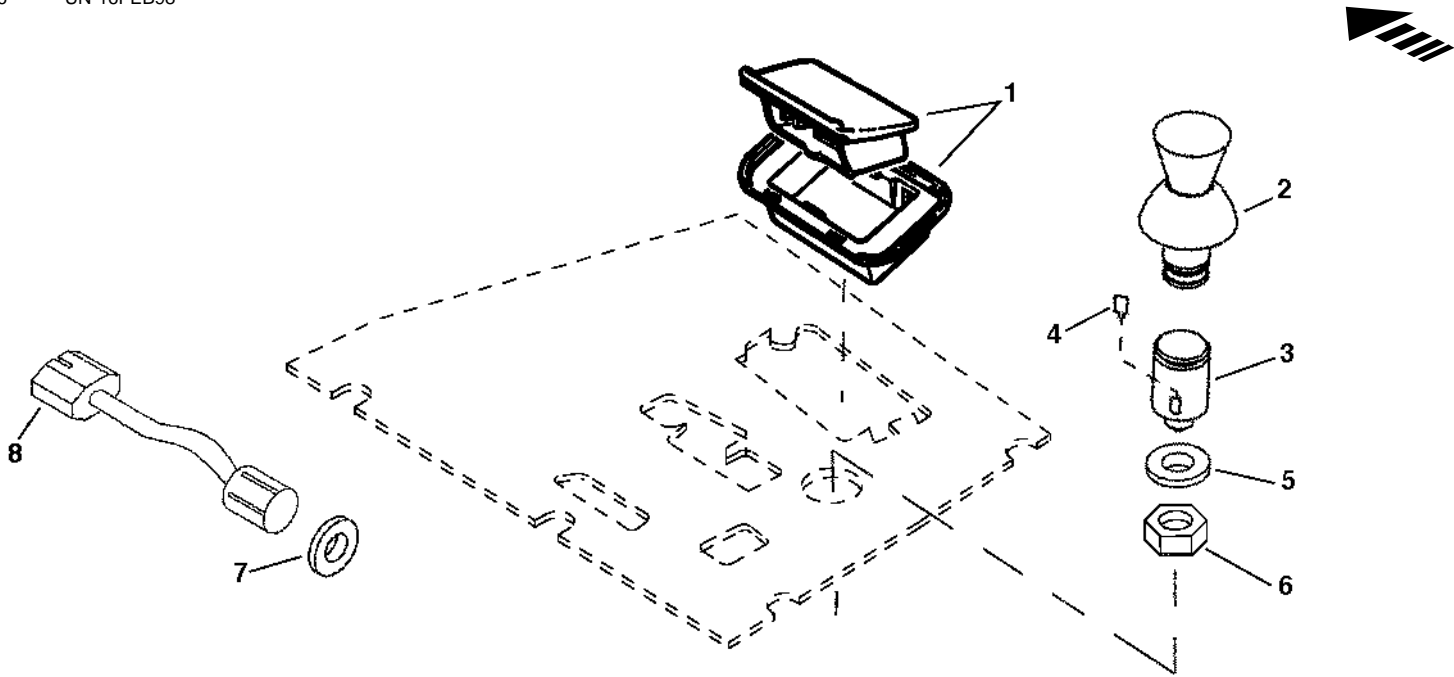
KEY	PART NO.	PART NAME	QTY	CAB SERIAL NO.	A	REMARKS
					L	
1	R155817	MAT	1		X	(SUB FOR R124650)
	R124858	MAT	1		X	(A)

(A)EUROPEAN VERSION
 VERSION EUROPEENNE
 EUROPÄISCHE AUSFUEHRUNG
 VERSIONE EUROPEA
 VERSION EUROPEA
 EUROPEISK VERSION

9D14

OPERATOR'S STATION

ASHTRAY AND LIGHTER
 CENDRIER ET ALLUME-CIGARE
 ASCHENBECHER UND ZIGARRENANZUENDER
 PORTACENERE E ACCENDISIGARI
 CENICERO Y ENCEDEDOR
 ASKKOPP OCH TAENDARE
 RE028826 -UN-16FEB98



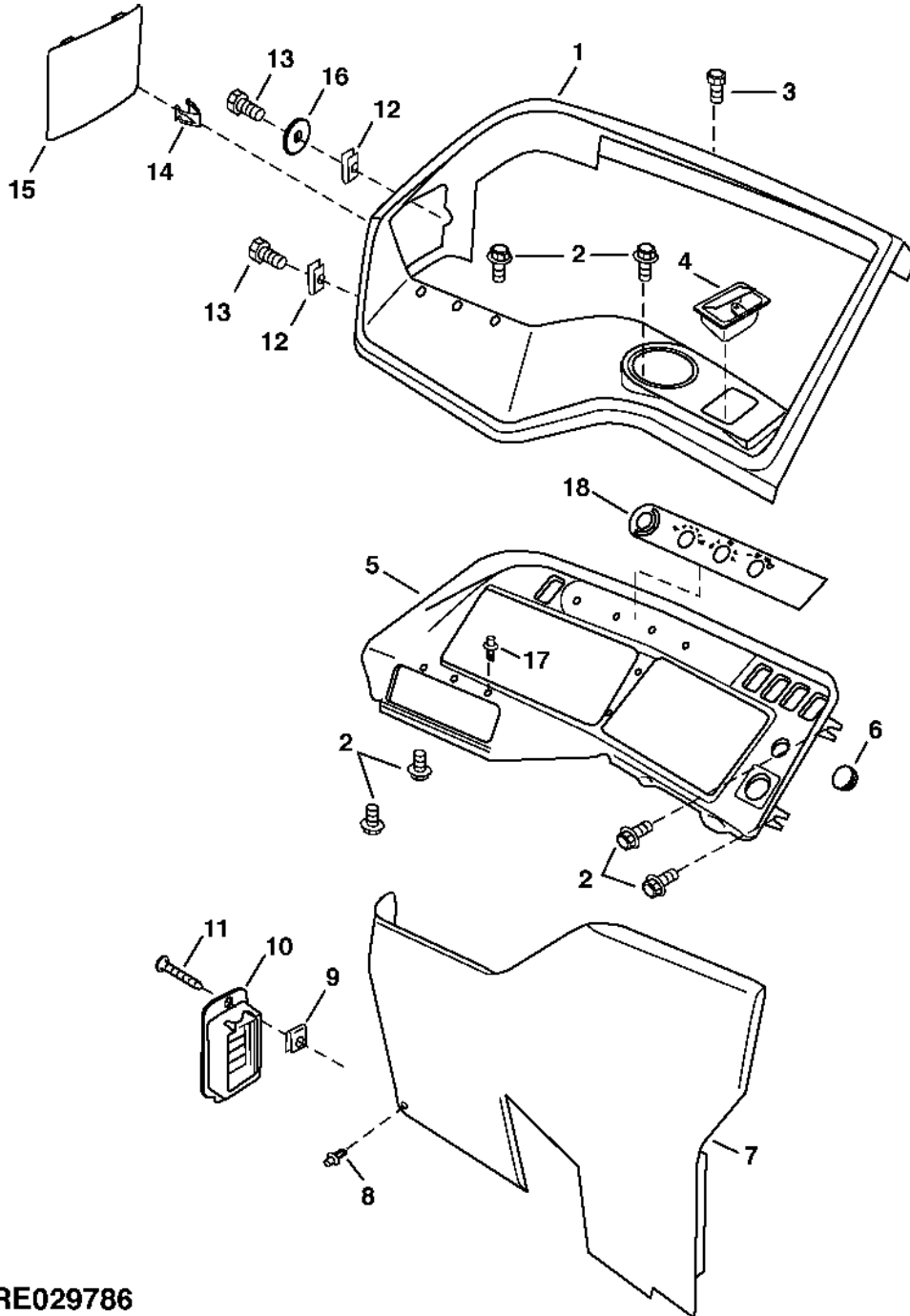
RE028826

KEY	PART NO.	PART NAME	QTY	CAB SERIAL NO.	A	REMARKS
					L	
1	AH104259	ASHTRAY	1		X	
2	AR60937	LIGHTER	1		X	
3	AR56766	HOUSING	1		X	
4	57M7102	BULB	1		X	
5	12M7084	LOCK WASHER	1		X	4.300 MM
6	14H605	NUT	2		X	0.164"
7	24H1691	WASHER	2		X	7/8" X 1-23/64" X 0.048"
8	RE67014	ADAPTER	1		X	

9D15

OPERATOR'S STATION

CONTROL CONSOLE
CONSOLE DE COMMANDE
BEDIENUNGSKONSOLE
CUADRO DE COMANDO
CONSOLA DE CONTROL
MANOEVERENHET
RE029786 -UN-15JUL98



RE029786

9D16

OPERATOR'S STATION

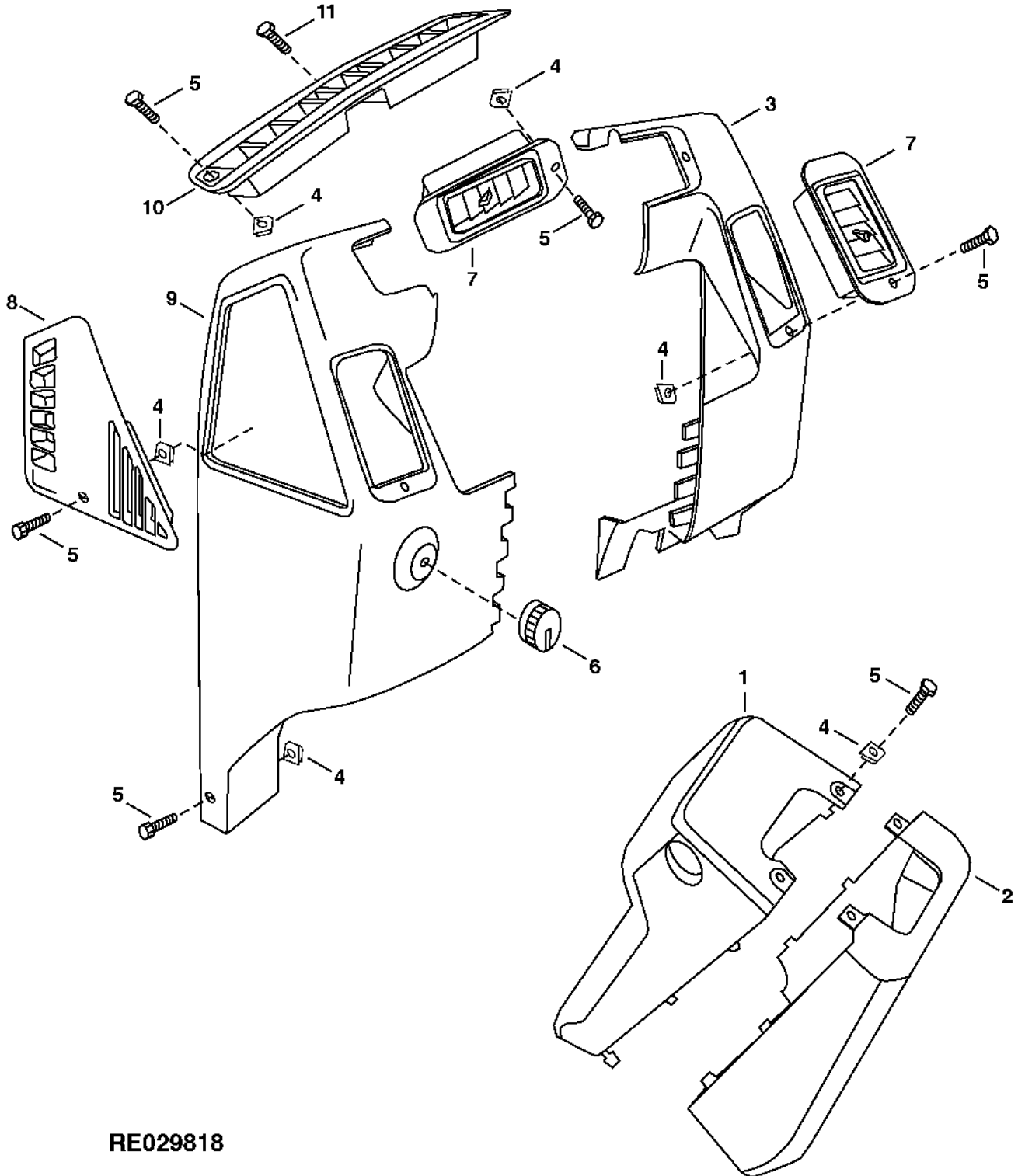
KEY	PART NO.	PART NAME	QTY	CAB SERIAL NO.	A L L	REMARKS
1	R124564	CONSOLE	1		X	
	R124800	CONSOLE	1		X	(A)
2	37M7089	SCREW	8		X	M6 X 12
3	19M8751	SCREW	4		X	M10 X 16
4	AH104259	ASHTRAY	1		X	
5	R133631	INSERT	1		X	(SUB FOR R124565) (SUB R159353, R159609, (4) M73135) (ALSO ORDER R159607)
6	RE61418	KNOB	1		X	
7	R124207	ACOUSTICAL UPHOLSTERY	1	-009999	X	
	R132149	ACOUSTICAL UPHOLSTERY	1	010000-	X	
8	L39134	RIVET	3		X	
9	R64822	NUT	1		X	
10	RE157244	LOUVER	1		X	(SUB FOR RE45293)
11	37H203	SCREW	1		X	
12	M84972	NUT	2		X	
	M73135	NUT	4		X	
13	21M7334	SCREW	2		X	M6 X 25
14	R120160	CLIP	3		X	
15	R119678	COVER	1		X	UP
16	24M7100	WASHER	1		X	6.600 X 22 X 2 MM
17	L39134	RIVET	3		X	
18	R126009	DECAL	1		X	

(A)EUROPEAN VERSION
 VERSION EUROPEENNE
 EROPAEISCHE AUSFUEHRUNG
 VERSIONE EUROPEA
 VERSION EUROPEA
 EUROPEISK VERSION

9D17

OPERATOR'S STATION

COWL ASSEMBLY
ENSEMBLE DE CAPOTAGE
VERKLEIDUNG-BAUGRUPPE
GRUPPO DEL COFANO
CONJUNTO DE CUBIERTA DEL MOTOR
SKYDDSHUVSSATS
RE029818 -UN-18AUG98



RE029818

9D18

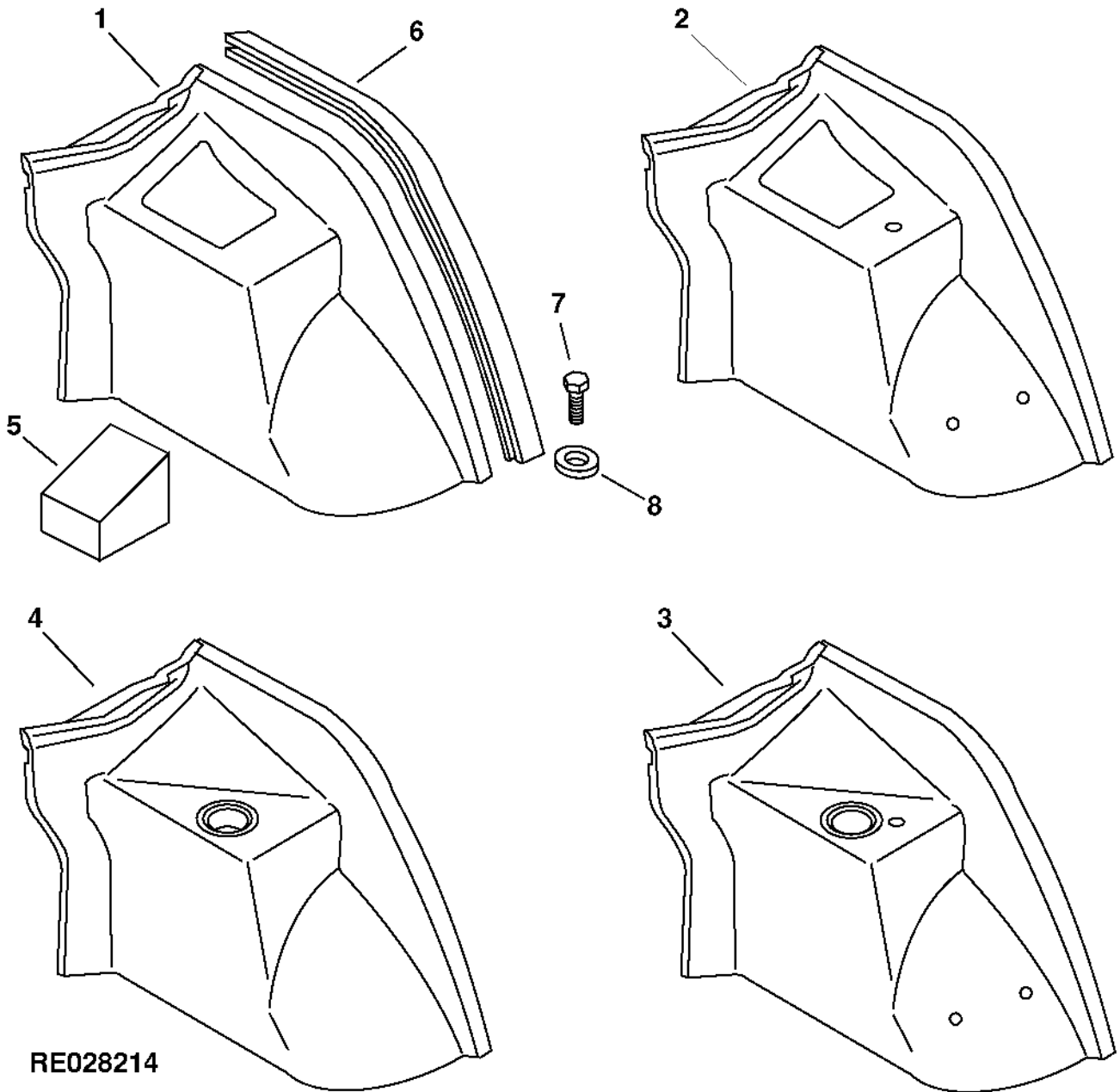
OPERATOR'S STATION

KEY	PART NO.	PART NAME	QTY	CAB SERIAL NO.	A L L	REMARKS
1	R154889	COVER	1		X	(SUB FOR R126025)
2	R126026	COVER	1		X	
3	R123973	COVER	1		X	R.H.
4	R64822	NUT	18		X	
5	37H203	SCREW	18		X	
6	R111632	KNOB	1		X	
7	RE157244	LOUVER	3		X	(SUB FOR RE45293)
8	R123975	LOUVER	1		X	R.H.
	R123976	LOUVER	1		X	L.H.
9	R123974	COVER	1		X	L.H.
10	R116913	LOUVER	1		X	
11	37H203	SCREW	2		X	

9D19

OPERATOR'S STATION

FENDER UPHOLSTERY (CAB)
SELLERIE-GARNITURE DE GARDE-BOUE (CABINE)
KOTFLUEGEL-POLSTERUNG (FAHRERKABINE)
SELLERIA DEL PARAFANGO (CABINA)
TAPIZADO DEL GUARDABARRO (CABINA)
STAENKSKAERMSKLAEDSEL (HYTT)
RE028214 -UN-25AUG97



RE028214

KEY	PART NO.	PART NAME	QTY	TRACTOR SERIAL NO.	A L L	REMARKS
1	R134173	ACOUSTICAL UPHOLSTERY	1	010000-	X	(B)
2	R127714	ACOUSTICAL UPHOLSTERY	1	-009999	X	(A) (B) (C)
	R134402	ACOUSTICAL UPHOLSTERY	1	010000-	X	(A) (B) (C)
3	R134174	ACOUSTICAL UPHOLSTERY	1	-009999	X	(A) (SUB FOR R129746)
	R134401	ACOUSTICAL UPHOLSTERY	1	010000-	X	(A) (C)
4	R126032	ACOUSTICAL UPHOLSTERY	1	-009999	X	
	R134174	ACOUSTICAL UPHOLSTERY	1	010000-	X	
5	R131334	FOAM PAD	1		X	
6	RE55367	MOLDING	1		X	
7	37M7089	SCREW	2		X	M6 X 12
8	24M7136	WASHER	4		X	10.500 X 27 X 2 MM

(A)EUROPEAN VERSION
 VERSION EUROPEENNE
 EUROPÄISCHE AUSFUEHRUNG
 VERSIONE EUROPEA
 VERSION EUROPEA
 EUROPEISK VERSION

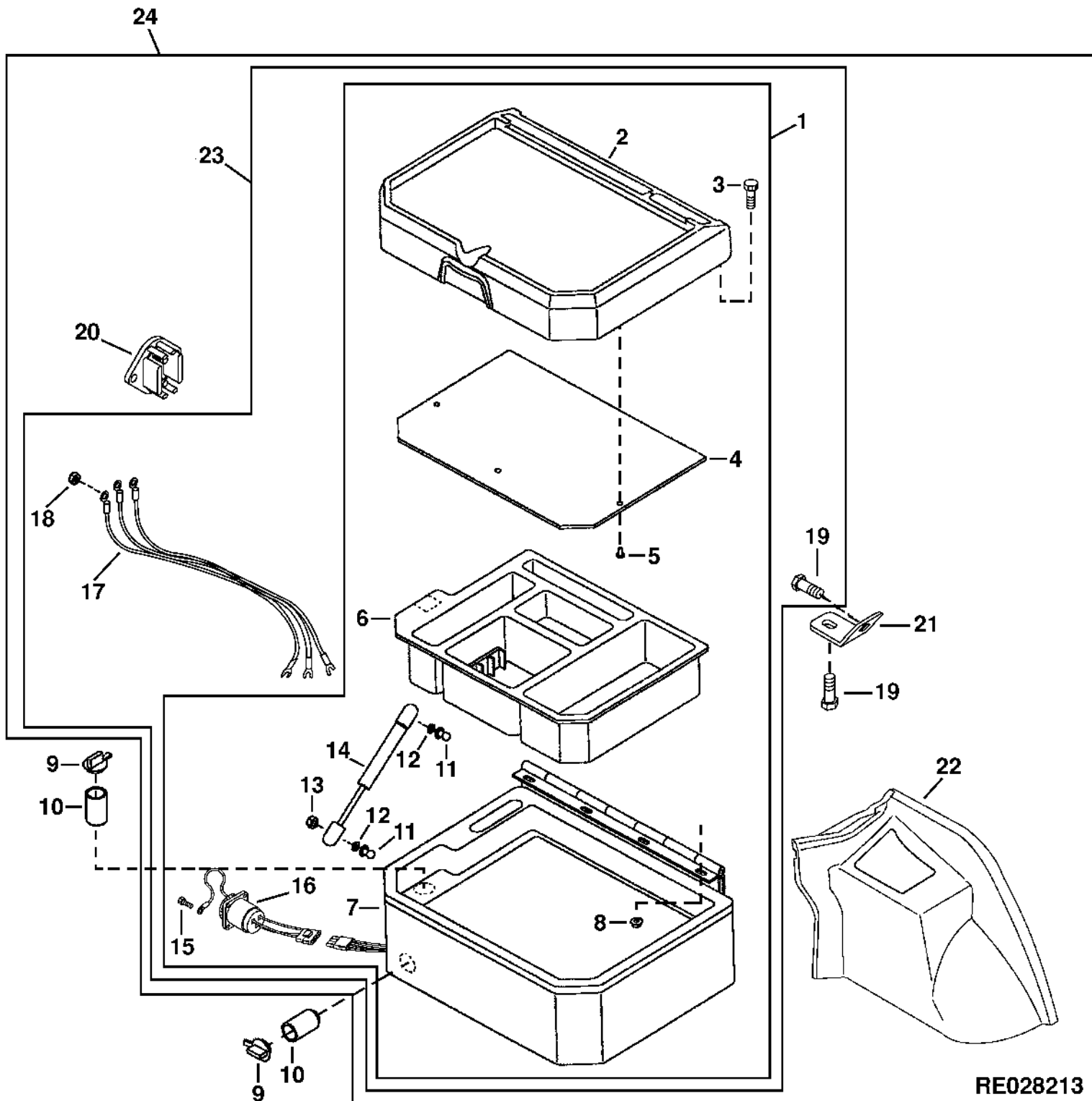
(B)W/FIELD OFFICE
 W/BUREAU MOBILE
 W/BORD-BUERO
 W/URRICIO MOBILE
 W/OFICINA PORTATIL
 W/TRAKTORKONTOR

(C)W/PASSENGER SEAT
 W/SIEGE PASSAGER
 W/MITFAHRERSITZ
 W/SEDILE PASSEGGERO
 W/ASIENTO DEL PASAJERO
 W/PASSAGERARSITS

9D21

OPERATOR'S STATION

FIELD OFFICE
BUREAU MOBILE
BORD-BUERO
UFFICIO MOBILE
OFICINA PORTATIL
TRAKTORKONTOR
RE028213 -UN-25AUG97



RE028213

9D22

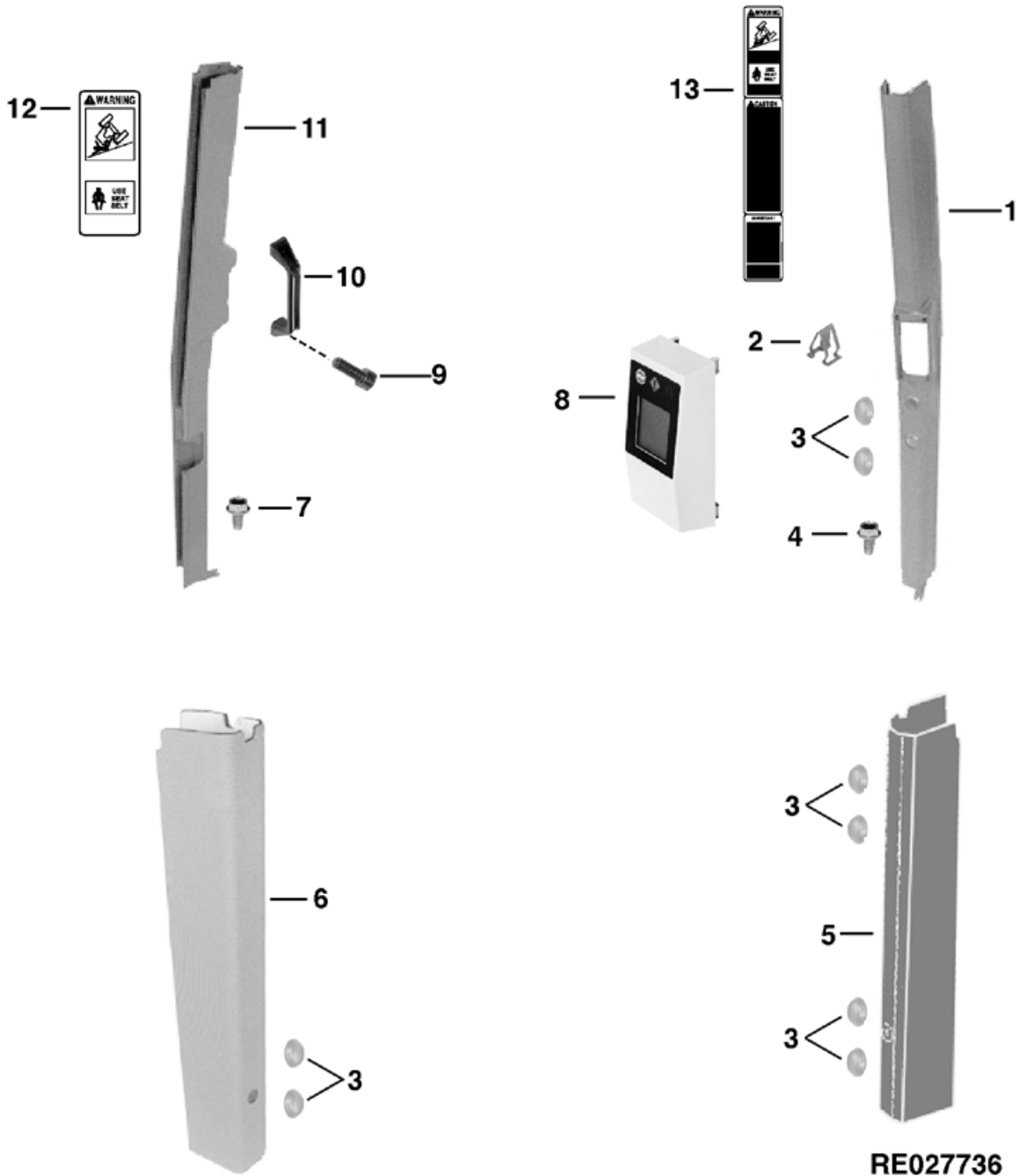
OPERATOR'S STATION

KEY	PART NO.	PART NAME	QTY	CAB SERIAL NO.	A L L	REMARKS
1	RE69150	TRAY	1		X	
2	RE64874	COVER	1		X	
3	03M7251	BOLT	8		X	M6 X 12
4	R134152	INSERT	1		X	
5	R132143	SCREW	3		X	
6	RE67459	TRAY	1		X	
7	RE69149	BASE	1		X	
8	14M7303	FLANGE NUT	6		X	M6
9	R131671	PLUG	2		X	
10	AR56766	HOUSING	2		X	
11	R131499	BALL STUD	2		X	
12	24M7088	WASHER	2		X	6.600 X 12 X 1.600 MM
13	14H378	NUT	2		X	1/4"
14	R131498	CYLINDER	1		X	
15	R133192	RIVET	8		X	
16	RE37640	SOCKET OUTLET	1		X	
17	RE67821	WIRING HARNESS	1		X	
18	14H778	NUT	1		X	0.190"
19	37M7090	SCREW	9		X	M6 X 16
20	R111931	JUNCTION BLOCK	1		X	
21	R131751	BRACKET	1		X	
22	R134173	ACOUSTICAL UPHOLSTERY	1		X	
23	AR116863	KIT	1	010000-	X	(FI)
24	AR116514	KIT	1	-009999	X	(FI)

9D23

OPERATOR'S STATION

POST UPHOLSTERY (CAB)
SELLERIE-GARNITURE DES MONTANTS (CABINE)
STANGENPOLSTERUNG (FAHRERKABINE)
SELLERIA DEGLI COLONNE (CABINA)
TAPIZADO DEL POSTE (CABINA)
STOLPKLAEDSEL (HYTT)
RE027736 -UN-17MAR97



RE027736

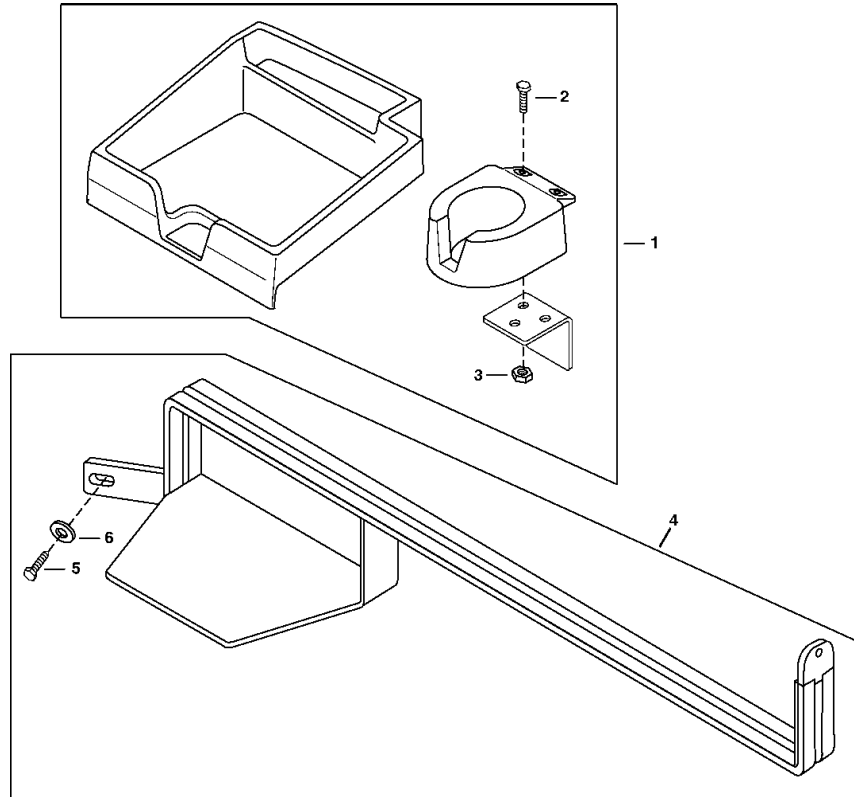
KEY	PART NO.	PART NAME	QTY	TRACTOR SERIAL NO.	A	REMARKS
					L	
1	R124432	COVER	1		X	R.H. FRONT
	R124577	COVER	1		X	(A) R.H. FRONT
2	R120160	CLIP	4		X	
3	R110408	CAP	8		X	
4	37M7089	SCREW	1		X	M6 X 12
5	R124311	COVER	1	-009999	X	R.H. REAR
	R127858	ACOUSTICAL UPHOLSTERY	1	010000-	X	(SUB FOR R124311) R.H. REAR
6	R124310	COVER	1	-009999	X	L.H. REAR
	R127857	ACOUSTICAL UPHOLSTERY	1	010000-	X	(SUB FOR R124310) L.H. REAR
7	37M7089	SCREW	1		X	M6 X 12
8	RE63458	MODULE	1		X	(SUB FOR RE60929)
9	19M8666	SCREW	2		X	M6 X 16
10	L57250	HANDLE	1		X	
11	R124330	COVER	1		X	L.H. FRONT
12	R120124	LABEL	1		X	
13	R151789	LABEL	1		X	(SUB FOR R126174)

(A)EUROPEAN VERSION
 VERSION EUROPEENNE
 EUROPÄISCHE AUSFUEHRUNG
 VERSIONE EUROPEA
 VERSION EUROPEA
 EUROPEISK VERSION

9D25

OPERATOR'S STATION

UTILITY TRAY/BEVERAGE HOLDER KIT
 KIT DE PIVOT DE FUSEE D'ESSIEU A USAGE INTENSIF
 SATZ MIT VERSTAERKTEM ACHSSCHENKELBOLZEN
 KIT PERNI DEI FUSI PER PRESTAZIONI PESANTI
 JUEGO DE PIVOTE DE DIRECCION PARA SERVICIO SEVERO
 SATS MED EXTRA KRAFTIG HJULSPINDELBULT
 RE030433 -UN-18FEB99



RE030433

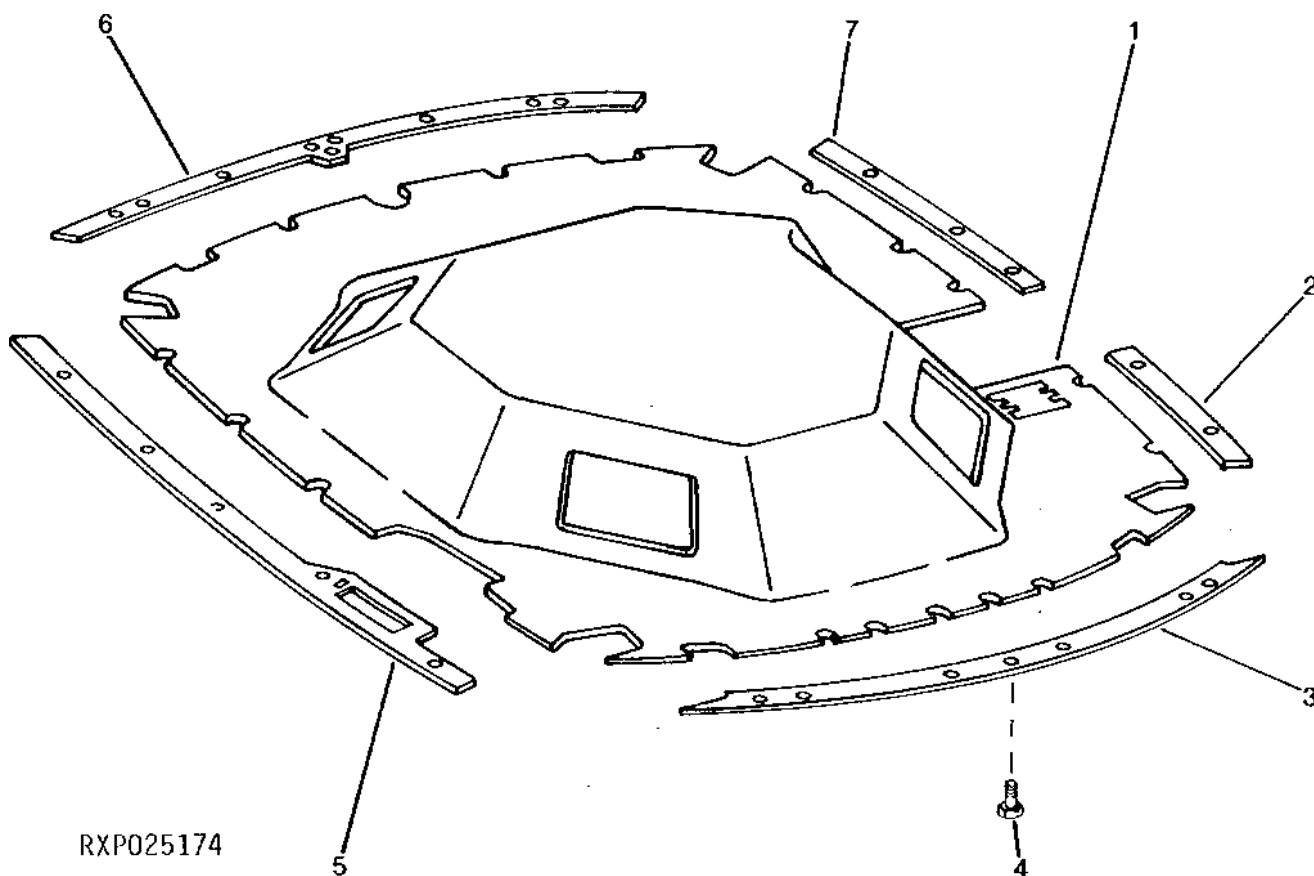
KEY	PART NO.	PART NAME	QTY	TRACTOR SERIAL NO.	A	REMARKS
					L	
1	RE162644	BRACKET	1		X	
2	19M7168	CAP SCREW	1		X	M10 X 30
3	14M7274	NUT	1		X	M10
4	RE162262	BRACKET	1		X	
5	19M7166	CAP SCREW	3		X	M10 X 20
6	24M7178	WASHER	3		X	10.500 X 30 X 2.500 MM

MEMORANDA
MEMORANDA
MEMORANDA
MEMORANDA
MEMORANDA

9E1

OPERATOR'S STATION

HEADLINER
PLAFOND DE CABINE
KABINENDACHVERKLEIDUNG
RIVESTIMENTO DEL TETTO
GUARNICION DE TECHO
HYTTBEKLAEDNAD
RXP025174 -UN-01JAN94



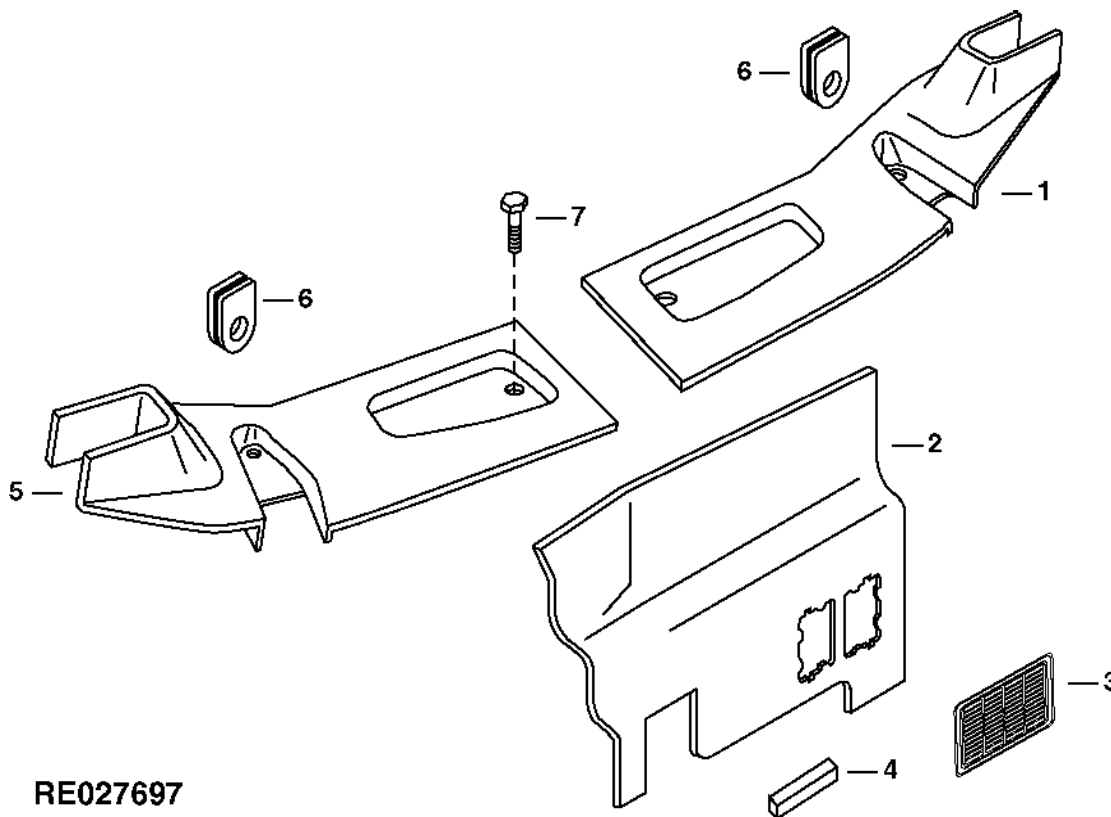
RXP025174

9E2

OPERATOR'S STATION

KEY	PART NO.	PART NAME	QTY	TRACTOR SERIAL NO.	A	REMARKS
					L	
L						
1	R124252	HEADLINER	1	-009999	X	
	R134109	HEADLINER	1	010000-	X	
2	R127703	SUPPORT	1		X	(SUB FOR R124661) R.H. REAR
3	R127700	SUPPORT	1		X	(SUB FOR R124658) REAR
4	21M7292	SCREW	19	-009999	X	M6 X 16
	R126355	SCREW	19	010000-	X	
5	R127701	SUPPORT	1		X	(SUB FOR R124659) L.H.
6	R127699	SUPPORT	1		X	(SUB FOR R124657) FRONT
7	R127702	SUPPORT	1		X	(SUB FOR R124660) R.H. FRONT
8	24H1318	WASHER	2		X	7/16" X 2" X 0.134", W/O MIRRORS

REAR UPHOLSTERY (CAB)
SELLERIE-GARNITURE ARRIERE (CABINE)
HECKPOLSTERIORE (FAHRERKABINE)
SELLERIA POSTERIORE (CABINA)
TAPIZADO TRASERO (CABINA)
BAKRE KLAEDSEL (HYTT)
 RE027697 -UN-12MAR97



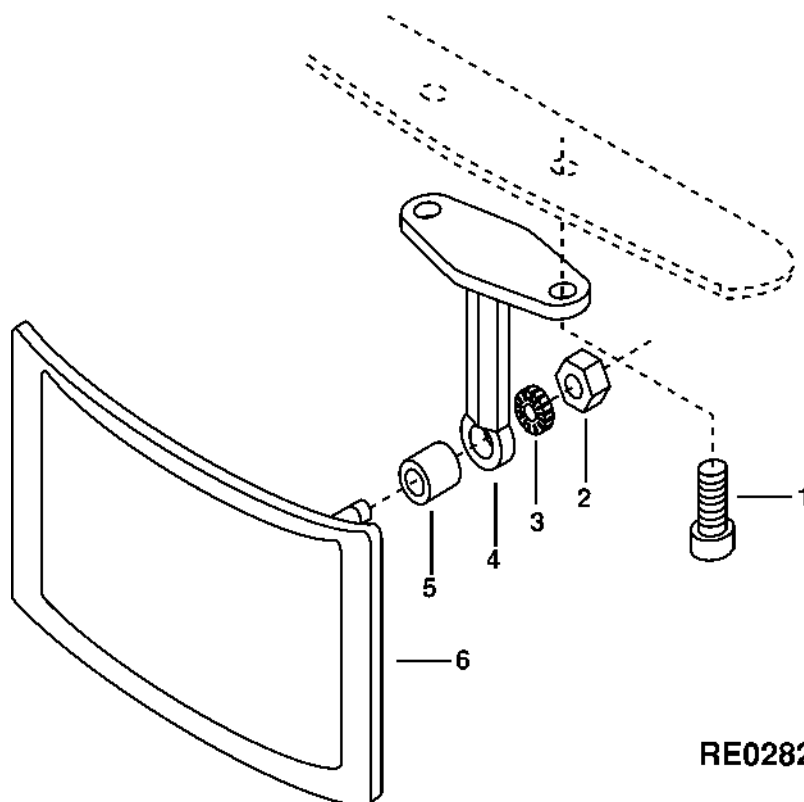
RE027697

KEY	PART NO.	PART NAME	QTY	CAB SERIAL NO.	A		REMARKS
					L	L	
1	R134755	COVER	1		X		L.H.
2	R124191	ACOUSTICAL UPHOLSTERY	1	-XXXXXX	X		(A)
	R151327	ACOUSTICAL UPHOLSTERY	1	XXXXXX-	X		(B) (ALSO ORDER (6) R125147)
3	R124332	BEZEL	1		X		
4	R134287	FOAM PAD	1		X		
5	R124235	COVER	1		X		R.H.
6	L76331	GROMMET	2		X		
7	R114820	SCREW	4		X		

(A) (-XXXXXX) 8100-01376; 8200-012539; 8300-013594; 8400-013482

(B) (XXXXXX-) 8100-13077; 8200-012540; 8300-013595; 8400-013483

INSIDE REAR VIEW MIRROR
 RETROVISEUR INTERIEUR
 INNEN-RUECKSPIEGEL
 RETROVISORE INTERIORE
 ESPEJO RETROVISOR INTERIOR
 INNEN/BACKSPEGEL
 RE028235 -UN-25AUG97



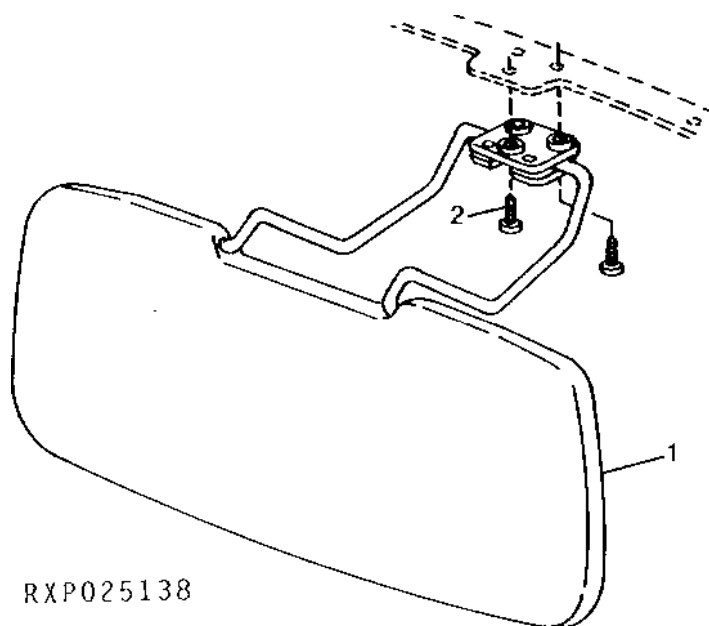
RE028235

KEY	PART NO.	PART NAME	QTY	TRACTOR SERIAL NO.	A	REMARKS
					L	
1	21M7438	SCREW	2		X	(A) M6 X 25, (SUB FOR (2) R128728)
	R126355	SCREW	2		X	
2	14H785	NUT	1		X	5/16"
3	12M7065	LOCK WASHER	1		X	8.100 MM
4	L75379	RETAINER	1		X	(SUB FOR L75379)
5	R54701	SPACER	1		X	(SUB FOR R54701)
6	RE52660	REAR VIEW MIRROR	1		X	
..	R109419	PLUG	AR		X	

(A)EUROPEAN VERSION
 VERSION EUROPEENE
 EUROPÄISCHE AUSFUEHRUNG
 VERSIONE EUROPEA
 VERSION EUROPEA
 EUROPEISK VERSION

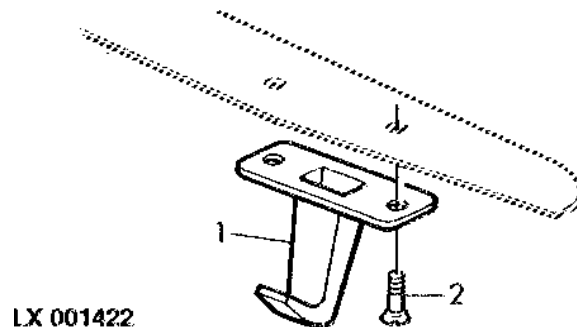
SUN VISOR
 PARA-SOLEIL
 SONNENBLLENDE
 PARASOLE
 PARASOL
 SOLSKYDD
 RXP025138

-UN-01JAN94



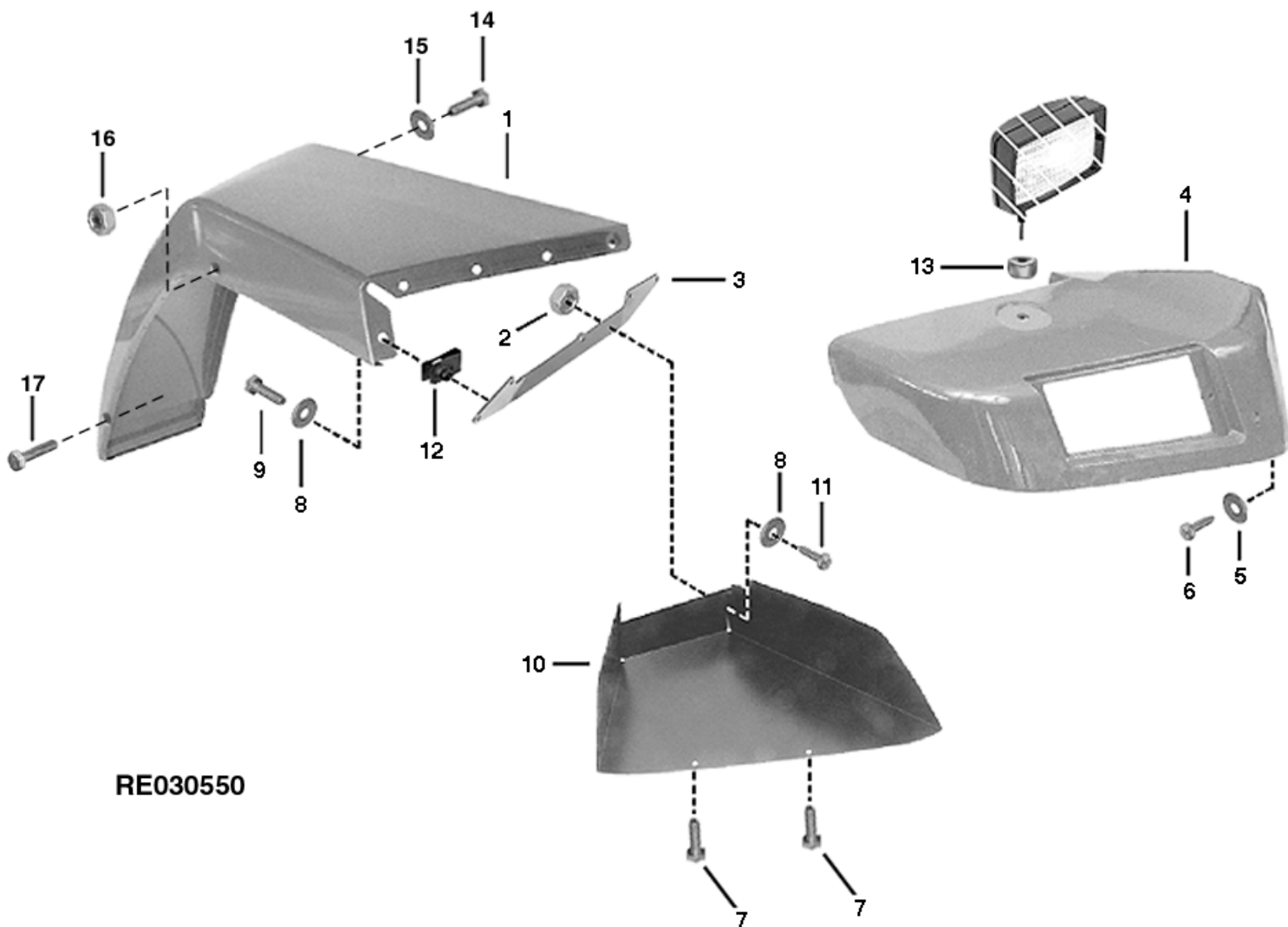
KEY	PART NO.	PART NAME	QTY	TRACTOR SERIAL NO.	A		REMARKS
					L	L	
1	RE43540	SUN VISOR	1		X		
2	21M7310	SCREW	3	-009999	X		M6 X 25
	R128728	SCREW	3	010000-	X		

CLOTHES HOOK
 CROCHET A VETEMENTS
 KLEIDERHAKEN
 GANCIO APPENDIABILI
 GANCHO PARA ROPA
 KLAEDKROK
 LX001422 -UN-01JAN94



KEY	PART NO.	PART NAME	QTY	TRACTOR SERIAL NO.	A	REMARKS
					L	
1	L102023	HOOK	1		X	(SUB FOR R106252)
2	21M7310	SCREW	2	-009999	X	M6 X 25
	R128728	SCREW	2	010000-	X	

REAR FENDER REAR EXTENSION
EXTENSION ARRIERE DU GARDE-BOUE ARRIERE
HINTERKOTFLUEGEL-HECKVERLAENGERUNG
ESTENSIONE POSTERIORE DEL PARAFANGO POSTERIORE
EXTENSION TRASERA DEL GUARDABARRO TRASERO
BAKRE FOERLAENGNING FOER BAKSTAENKSKAERM
 RE030550 -UN-11MAY99



RE030550

KEY	PART NO.	PART NAME	QTY	CAB SERIAL NO.	A L L	REMARKS
1	R157016	FENDER	1		X	(SUB FOR R114686) R.H.
	R157015	FENDER	1		X	(SUB FOR R114685) L.H.
2	14M7165	LOCK NUT	10		X	M6
3	R107431	BRACE	1	-XXXXXX	X	(A) R.H.
	R157024	REINFORCEMENT	1	XXXXXX-	X	(B) R.H. (SUB FOR R132561)
	R107430	BRACE	1	-XXXXXX	X	(A) L.H.
	R157023	REINFORCEMENT	1	XXXXXX-	X	(B) L.H. (SUB FOR R132562)
4	R157032	FLAP	1	-XXXXXX	X	(C) R.H. (SUB FOR R124272 OR R133439)
	R157032	FLAP	1	XXXXXX-	X	(D) R.H. (SUB FOR R124270)
	R133440	FLAP	1	-XXXXXX	X	(C) L.H.
	R157031	FLAP	1	XXXXXX-	X	(D) L.H.
5	24M7207	WASHER	6		X	8.400 X 24 X 2 MM
6	37M7084	SCREW	6		X	M8 X 25
7	37M7304	SCREW	4		X	
8	24M7139	WASHER	10		X	6.400 X 18 X 1.600 MM
9	R131432	SCREW	2		X	(SUB FOR R115908)
10	R110805	SHIELD	1		X	R.H.
	R110806	SHIELD	1		X	L.H.
11	19M7077	CAP SCREW	10		X	M6 X 20
12	14M7265	LOCK NUT	1		X	M5
13	T65643	GROMMET	1		X	
14	19M7513	CAP SCREW	6		X	M8 X 30
15	12M7065	LOCK WASHER	6		X	8.100 MM
16	14M7298	FLANGE NUT	6		X	M8
17	37M7058	SCREW	14		X	M8 X 20

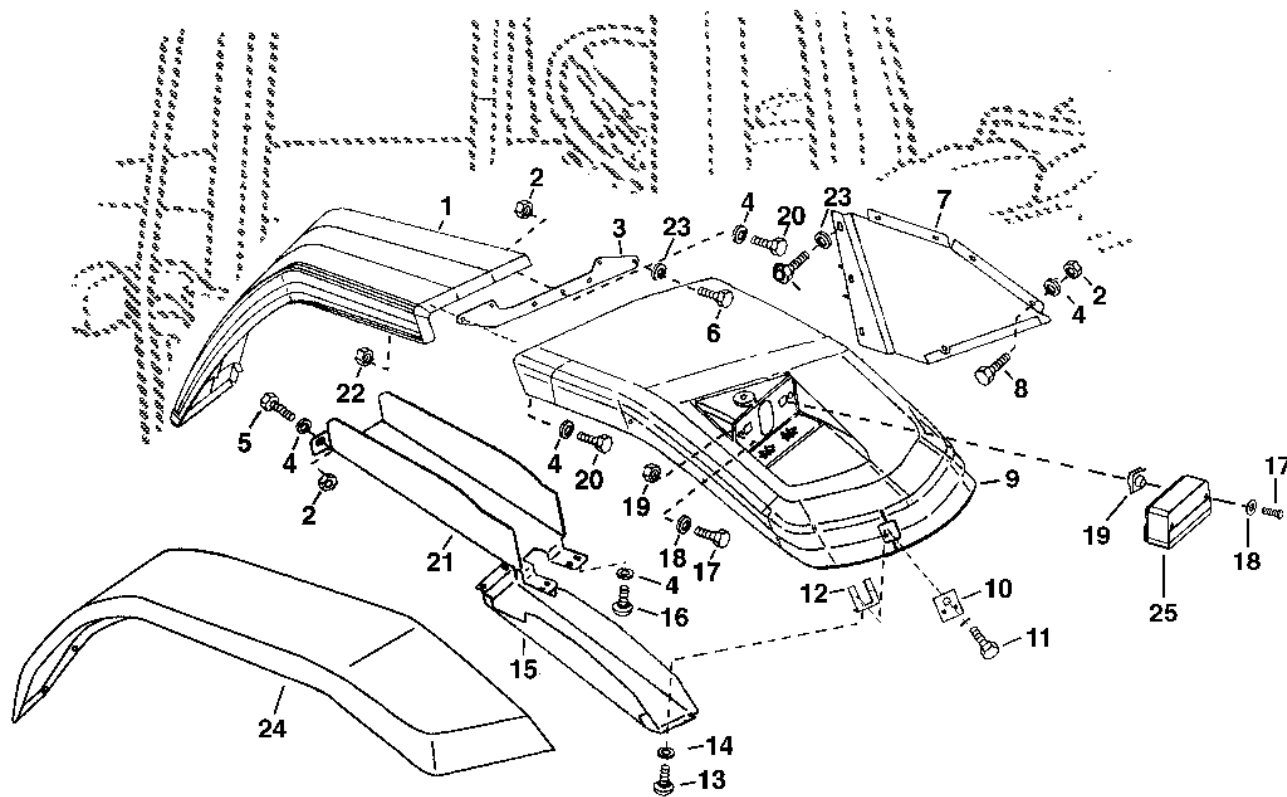
(A) (-XXXXXX) 8100-011052; 8200-011032; 8300-011125; 8400-011068

(B) (XXXXXX-) 8200-011053; 8200-011033; 8300-011126; 8400-011069

(C) (-XXXXXX) 8100-021464; 8200-021249; 8300-022188; 8400-022769

(D) (XXXXXX-) 8100-021465; 8200-021250; 8300-022189; 8400-022770

REAR FENDER REAR EXTENSION
EXTENSION ARRIERE DU GARDE-BOUE ARRIERE
HINTERKOTFLUEGEL-HECKVERLAENGERUNG
ESTENSIONE POSTERIORE DEL PARAFANGO POSTERIORE
EXTENSION TRASERA DEL GUARDABARRO TRASERO
BAKRE FOERLAENGNING FOER BAKSTAENKSKAERM
RE030074 -UN-27OCT98



RE030074

KEY	PART NO.	PART NAME	QTY	TRACTOR SERIAL NO.	A	REMARKS
					L	
1	R157016	FENDER	1	-009999	X	(SUB FOR R114686) R.H.
	R130509	FENDER	1	010000-	X	(SUB R157018) R.H.
	R114685	FENDER	1	-009999	X	L.H.
	R130510	FENDER	1	010000-	X	(SUB R157017) L.H.
2	14M7272	NUT	9		X	M6
3	R127697	BRACE	1	-009999	X	R.H.
	R132561	REINFORCEMENT	1	010000-XXXXXX	X	R.H.
	R157023	REINFORCEMENT	1	XXXXXX-	X	L.H.
	R127696	BRACE	1	-009999	X	L.H.
	R132562	REINFORCEMENT	1	010000-XXXXXX	X	L.H.
	R157024	REINFORCEMENT	1	XXXXXX-	X	R.H.
4	24M7139	WASHER	8		X	6.400 X 18 X 1.600 MM
5	19M7862	SCREW	4		X	M6 X 20
6	37M7084	SCREW	6		X	M8 X 25
7	R124194	SHIELD	1	-009999	X	R.H.
	R150920	SHIELD	1	010000-	X	R.H. (SUB FOR R131970)
	R124193	SHIELD	1	-009999	X	L.H.
	R150921	SHIELD	1	010000-	X	L.H. (SUB FOR R131971)
8	03M7232	BOLT	4		X	M6 X 25
9	R111888	FLAP	1	-009999	X	R.H.
	R131966	FLANGE	1	010000-	X	R.H.
	R111887	FLAP	1	-009999	X	L.H.
	R131967	FLANGE	1	010000-	X	L.H.
10	R115675	PLATE	2	010000-	X	(A)
	R153485	PLATE	1		X	(B)
11	H132899	SCREW	2		X	
12	R126716	PLATE	2	010000-	X	
13	37M7165	SCREW	8		X	
14	24M7027	WASHER	8		X	5.300 X 10 X 1 MM
15	R124721	SHIELD	1	-009999	X	R.H.
	R131977	SHIELD	1	010000-	X	R.H.
	R124720	SHIELD	1	-009999	X	L.H.
	R131978	SHIELD	1	010000-	X	L.H.
16	M117141	SCREW	4		X	
17	21M7452	SCREW	4	010000-	X	M6 X 90
18	24M7244	WASHER	2	010000-	X	6.400 X 12 X 1.600 MM
19	R134098	NUT	2		X	
20	19M7286	CAP SCREW	5		X	M6 X 25
21	R124352	SHIELD	1	-009999	X	R.H.
	R135658	SHIELD	1	010000-	X	R.H. (SUB FOR R131975)
	R124351	SHIELD	1	-009999	X	L.H.
	R135659	SHIELD	1	010000-	X	L.H. (SUB FOR R131976)
22	24H1923	WASHER	10		X	9/32" X 3/4" X 0.120"
23	24M7207	WASHER	6		X	8.400 X 24 X 2 MM
24	R130503	EXTENSION	1	010000-	X	2.3 M, R.H.
	R130504	EXTENSION	1	010000-	X	2.3 M, L.H.
	R130505	EXTENSION	1	010000-	X	2.48 M, R.H.
	R130506	EXTENSION	1	010000-	X	2.48 M, L.H.
25	RE150894	TAIL LAMP	1		X	
26	19M7513	CAP SCREW	6	010000-	X	M8 X 30
27	12M7065	LOCK WASHER	6	010000-	X	8.100 MM
28	14M7298	FLANGE NUT	6	010000-	X	M8
29	37M7058	SCREW	8	010000-	X	M8 X 20

(A) W/HITCH
W/ATTELAGE
W/ANHAENGEVORRICHTUNG
W/SOLLEVATORE
W/ENGANCE
W/LYFT

(B) W/O HITCH
W/O ATTELAGE
W/O ANHAENGEVORRICHTUNG
W/O SOLLEVATORE
W/O ENGANCE
W/O LYFT

REAR FENDER SIDE EXTENSION AND MUD GUARD KIT

AILE ARRIERE, RALLONGE LATERALE ET GARDE-BOUE JEU DE PIECES

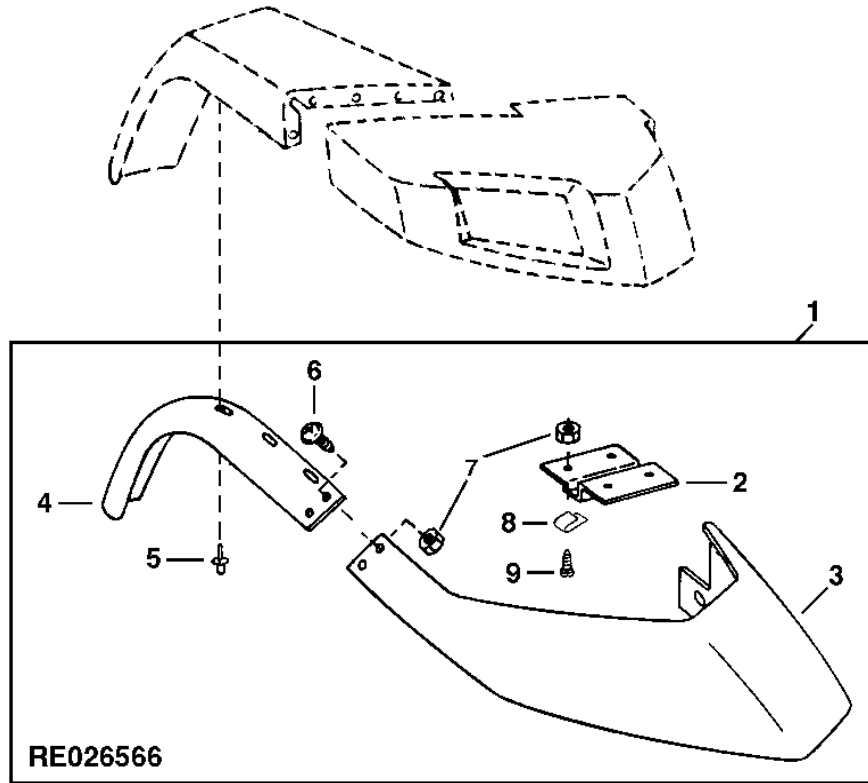
HINTERE KOTFLUEGEL-VERLAENGERUNG UND SCHMUTZFAENGER TEILESATZ

PARASPRUZZI E PROLUNGA LATERALE DEL PARAFANGO POSTERIORE SERIE PEZZI

EXTENSION LATERAL DEL GUARDABARROS TRASERO Y PARAFANGO JUEGO

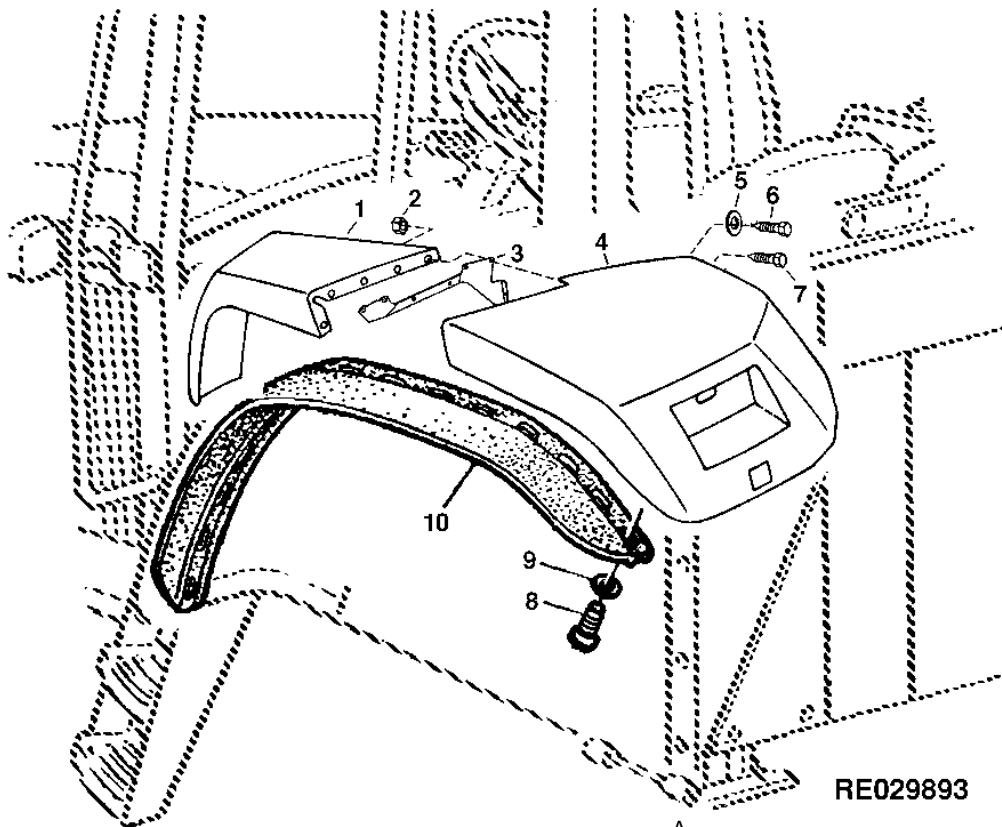
STAENKSKAERM BAK, SIDFOERLAENGNING OCH STAENKSKYDD SATS

RE026566 -UN-24JAN97



KEY	PART NO.	PART NAME	QTY	TRACTOR SERIAL NO.	A		REMARKS
					L	L	
1	AR113538	KIT	1		X	(FI)	
2	R118188	SUPPORT	2	-009000	X		
	R131351	SUPPORT	2	010000-	X		
3	R122010	SPLASH GUARDS	1		X	R.H.	
	R122009	SPLASH GUARDS	1		X	L.H.	
4	R118147	EXTENSION	1		X	R.H.	
	R118146	EXTENSION	1		X	L.H.	
5	R55326	RIVET	22		X		
6	37M7165	SCREW	4		X		
7	14M7165	LOCK NUT	8		X	M6	
8	R127698	CLIP	8		X		
9	21M7292	SCREW	8		X	M6 X 16	

REAR FENDER SIDE EXTENSION (EUROPEAN VERSION) (-009999)
 EXTENSION LATÉRALE DU GARDE-BOUE ARRIERE (VERSION EUROPEENNE) (-009999)
 HINTERKOTFLUEGEL-SEITENVERLAENGERUNG (ERUOPAEISCHE AUSFUEHRUNG) (-009999)
 ESTENSIONE LATÉRALE DEL PARAFANGO POSTERIORE (VERSIONE EUROPEA) (-009999)
 EXTENSION LATERAL DEL GUARDABARRO TRASERO (VERSION EUROPEA) (-009999)
 SIDFOERLAENGNING FOER BAKSTAENKSKAERM (EUROPEISK VERSION) (-009999)
 RE029893 -UN-24SEP98



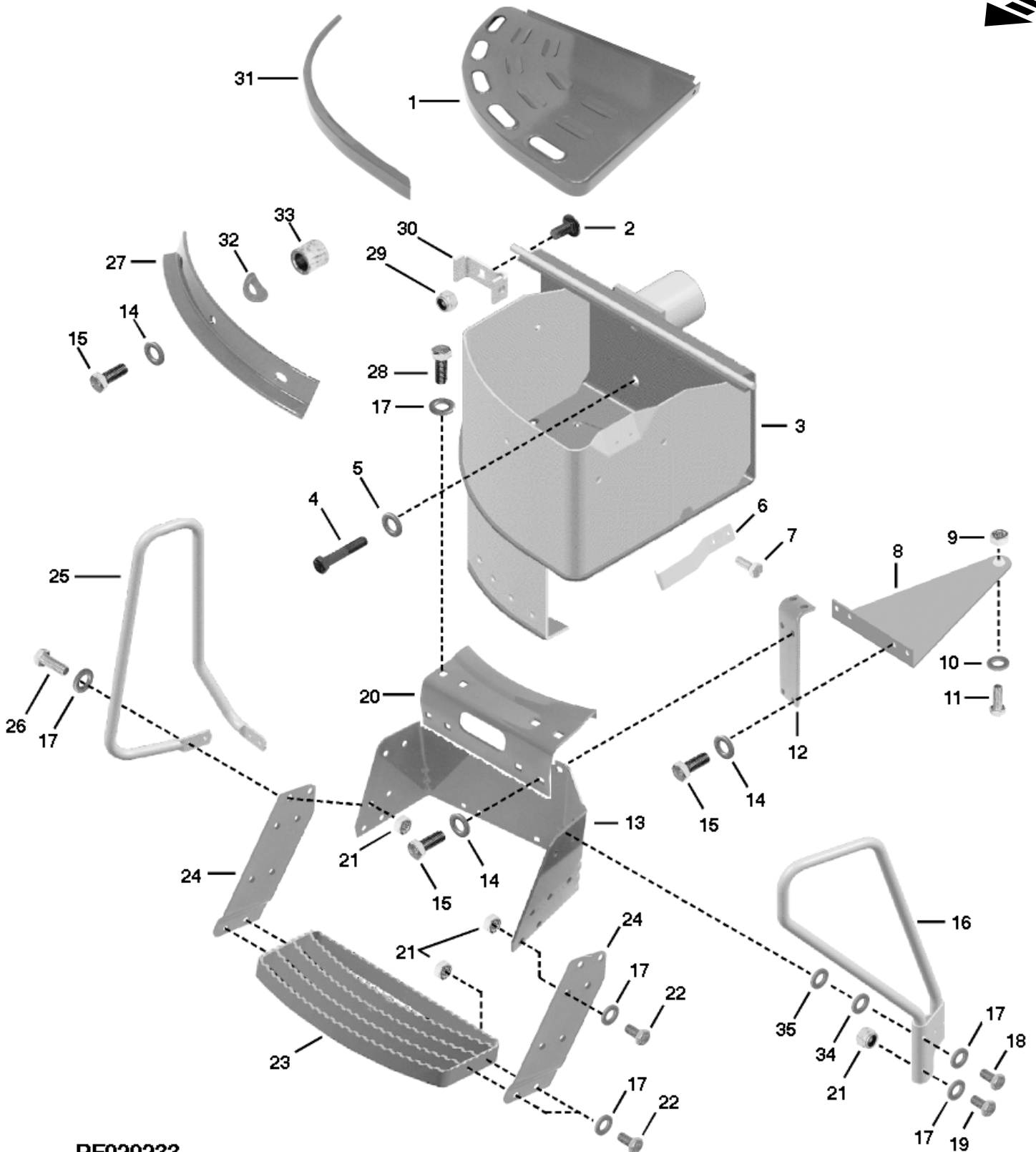
KEY	PART NO.	PART NAME	QTY	TRACTOR SERIAL NO.	A	REMARKS
					L	
1	R157016	FENDER	1		X	(SUB FOR R114686) R.H.
	R157015	FENDER	1		X	(SUB FOR R114685) L.H.
2	14M7272	NUT	4		X	M6
3	R127697	BRACE	1		X	R.H.
	R127696	BRACE	1		X	L.H.
4	R111888	FLAP	1		X	R.H.
	R111887	FLAP	1		X	L.H.
5	24M7139	WASHER	14	XXXXXX-	X	(A) 6.400 X 18 X 1.600 MM
6	19M7077	CAP SCREW	1		X	M6 X 20
7	19M7286	CAP SCREW	3		X	M6 X 25
8	21M7310	SCREW	4		X	M6 X 25
	24M7207	WASHER	6		X	8.400 X 24 X 2 MM
10	R122008	EXTENSION	1		X	R.H.
	R122007	EXTENSION	1		X	L.H.

(A) (XXXXXX-) 8100-011053; 8200-011033; 8300-011126; 8400-011069

9E13

OPERATOR'S STATION

LEFT HAND STEP
MARCHEPIED GAUCHE
LINKE STUFEN
GRADINI DI SINISTRA
PELDANOS DEL LADO
VAENSTER FOTSTEG
RE029233 -UN-20MAR98



RE029233

KEY	PART NO.	PART NAME	QTY	CAB SERIAL NO.	A L L	REMARKS
1	R124688	PLATFORM	1		X	
2	03M7190	BOLT	2		X	M10 X 20
3	RE60857	SUPPORT	1		X	
4	19M8485	CAP SCREW	1		X	M16 X 90, HS 10.9
5	24M7338	WASHER	1		X	17 X 30 X 3 MM
6	R124691	LATCH	1		X	
7	M63200	RIVET	2		X	
8	RE44687	BRACKET	1		X	
9	R125363	GASKET	1		X	
10	24H1226	WASHER	1		X	1/2" X 1-1/4" X 0.083"
11	19M7872	CAP SCREW	1		X	M12 X 25, HS 10.9
12	R121545	SUPPORT	2		X	
13	R134670	SUPPORT	2		X	(SUB FOR R124689)
14	24M7028	WASHER	4		X	10.500 X 20 X 2 MM
	24M7240	WASHER	4		X	(A) 13 X 25 X 3 MM
15	03M7193	BOLT	4		X	M10 X 35
	19M7361	CAP SCREW	4		X	(A) M12 X 50
16	RE61127	HANDRAIL	1	-XXXXXX	X	(B)
	R134647	HANDRAIL	1	XXXXXX-	X	(C)
	R131074	HANDRAIL	1		X	(A) (SUB FOR RE60865)
17	24M7028	WASHER	22		X	10.500 X 20 X 2 MM
	R28024	CLAMP	22		X	(A)
18	03M7195	BOLT	1		X	M10 X 45
	19M7935	CAP SCREW	1		X	(A) M10 X 55
19	19M8499	CAP SCREW	2		X	M10 X 60
	19M8499	CAP SCREW	2		X	(A) M10 X 60, HS 10.9
20	R124690	PLATE	1		X	
21	14M7517	LOCK NUT	4		X	M10
22	19M7938	CAP SCREW	12		X	M10 X 20, HS 10.9
23	RE49428	STEP	2	-XXXXXX	X	(D)
	R151799	STEP	1	XXXXXX-	X	(E)
24	R123987	PLATE	1	-XXXXXX	X	(B) INNER
	R151855	PLATE	1	XXXXXX-	X	(C) INNER
	R151764	PLATE	1	-XXXXXX	X	(B) (SUB FOR R123986) OUTER
	R151764	PLATE	1	XXXXXX-	X	(C) OUTER
25	R124770	HANDRAIL	1		X	INNER
26	19M7662	CAP SCREW	1		X	M10 X 30, HS 10.9
	03M7195	BOLT	2		X	(A) M10 X 45
27	R116390	LOCK PLATE	1		X	
28	03M7191	BOLT	4		X	M10 X 25
29	14M7517	LOCK NUT	2		X	M10
30	R116389	BRACKET	1		X	
31	RE44786	MOLDING	1		X	
32	R112480	WASHER	1		X	
33	M82714	SPACER	1		X	
34	24H1886	WASHER	1		X	15/32" X 1-1/8" X 0.180"
35	R111382	WASHER	1		X	

(A)EUROPEAN VERSION
 VERSION EUROPEENNE
 EROPAEISCHE AUSFUEHRUNG
 VERSIONE EUROPEA
 VERSION EUROPEA
 EUROPEISK VERSION

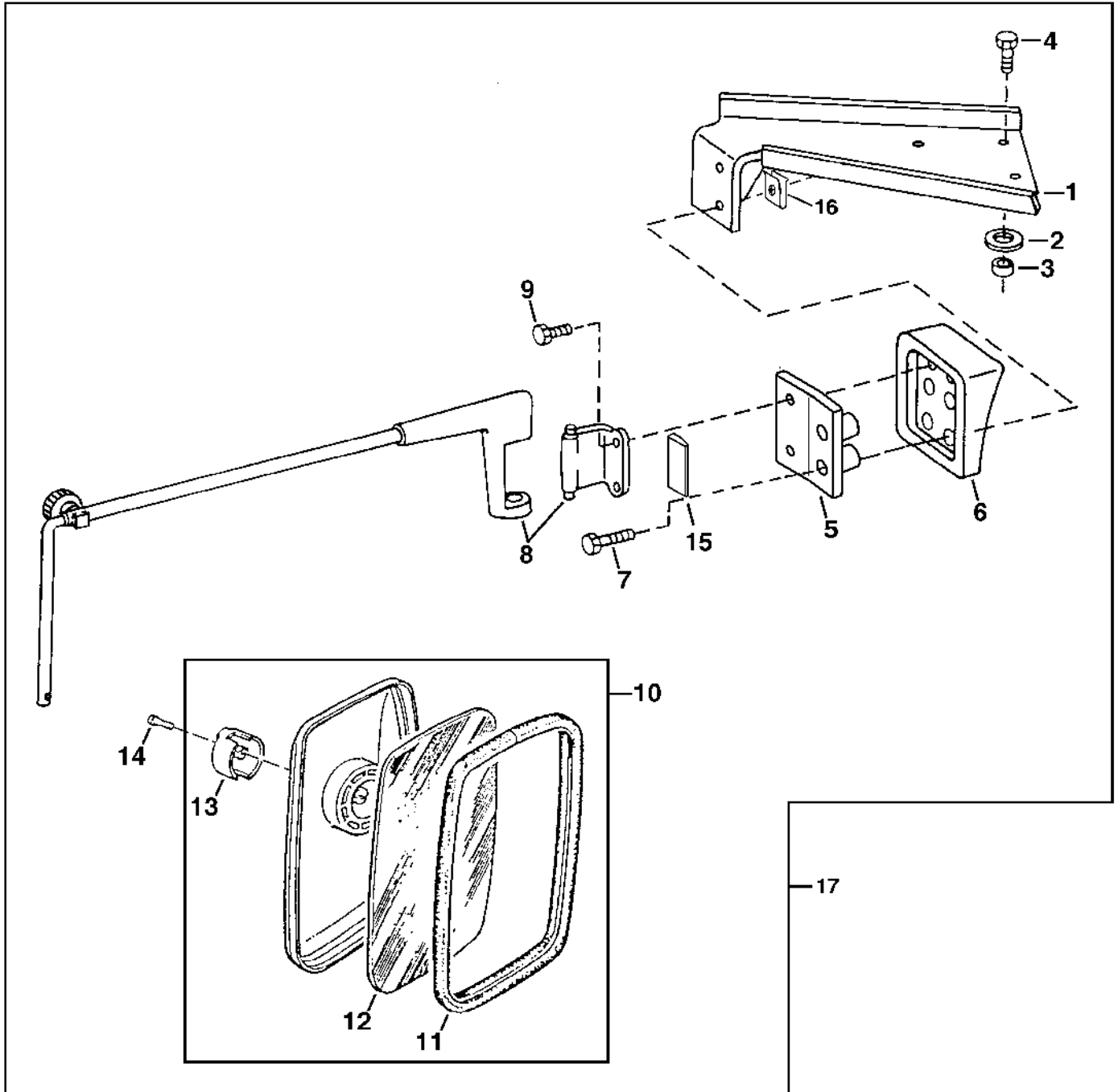
(B)(-XXXXXX) 8100-013158; 8200-012600; 8300-013736; 8400-013565
 (C)(XXXXXX-) 8100-013159; 8200-012601; 8300-013737; 8400-013566

(D)(-XXXXXX) 8100-024464; 8200-024467; 8300-024453; 8400-024471
 (E)(XXXXXX-) 8100-024465; 8200-024468; 8300-024454; 8400-024472

9E15

OPERATOR'S STATION

OUTER MIRRORS KIT
JEU DE RETROVISEURS EXTERIEURS
AUSSENSPIEGEL-BAUSATZ
KIT DEGLI SPECCHIETTI ESTERNI
JUEGO DE ESPEJOS EXTERIORES
UTSIDES BACKSPEGELSATS
RE029788 -UN-21JUL98



RE029788

9E16

OPERATOR'S STATION

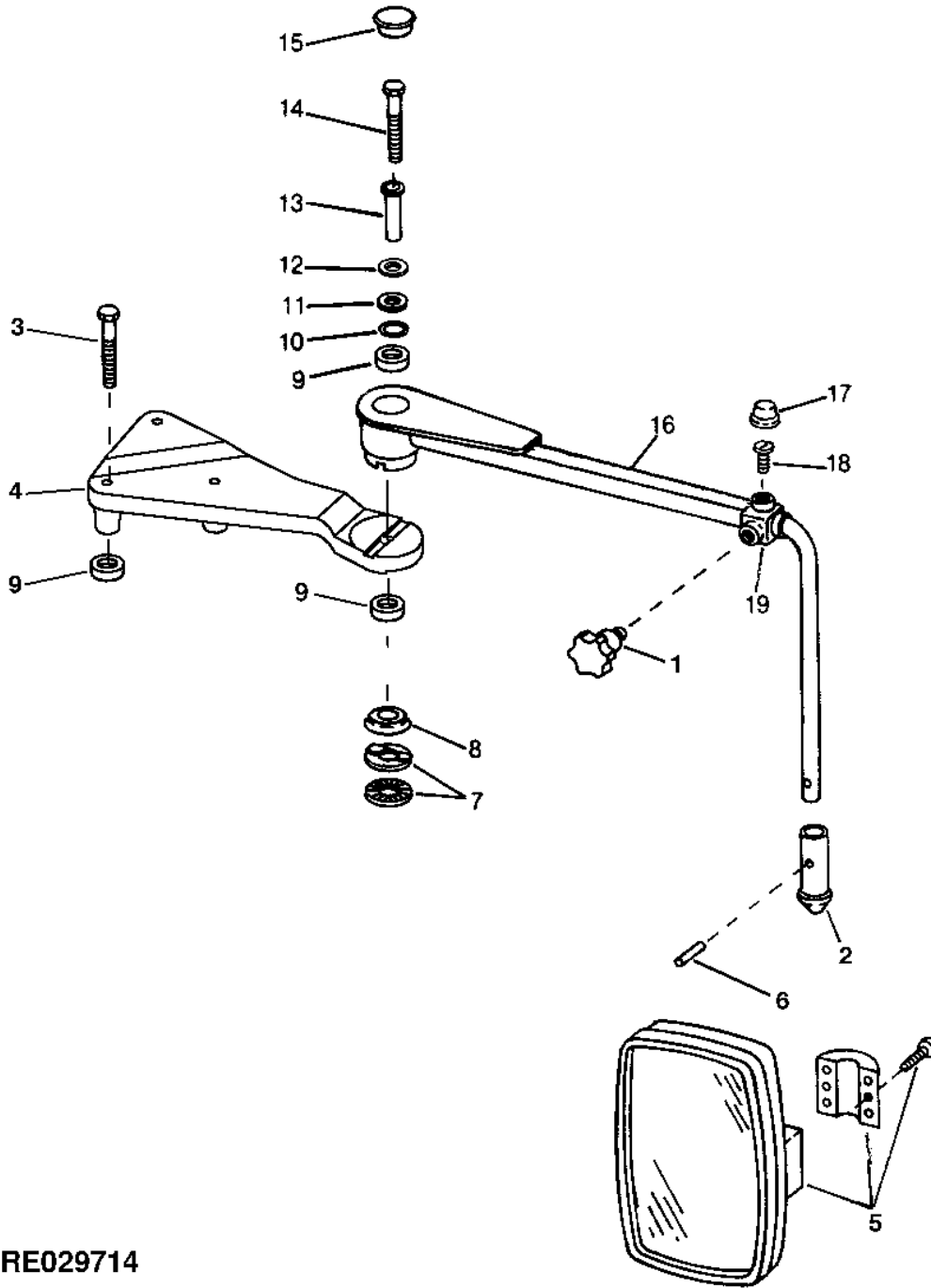
KEY	PART NO.	PART NAME	QTY	CAB SERIAL NO.	A	REMARKS
					L	
1	RE61100	BRACKET	2		X	
2	R127769	SEAL	4		X	(SUB FOR R115705)
3	24H1309	WASHER	4		X	13/32" X 1-1/16" X 0.120"
4	19M7808	SCREW	4		X	M10 X 65
5	R151448	SUPPORT	1		X	(SUB FOR RE52677) R.H.
	R151449	SUPPORT	1		X	(SUB FOR RE52678) L.H.
6	R111894	SEAL	2		X	
7	19M7875	CAP SCREW	4		X	M10 X 70
8	RE52668	ARM	1		X	(INCLUDES R129377) R.H.
	RE52669	ARM	1		X	(INCLUDES R129377) L.H.
9	19M7660	SCREW	4		X	M8 X 20
10	AL78021	REAR VIEW MIRROR	2		X	
11	L79777	GASKET	1		X	
12	L79776	REAR VIEW MIRROR GLASS	1		X	
13	L79778	HOLDER	1		X	
14	21M7248	SCREW	2		X	M6 X 30
15	R129377	SPACER	2	XXXXXX-	X	(A)
16	R153826	NUT	1		X	(FI)
17	AR112841	KIT	1		X	

(A)(XXXXXX-) 8100-002914; 8200-002293; 8300-004034; 8400-002592

9E17

OPERATOR'S STATION

REMOTE MIRROR (EUROPEAN VERSION)
RETROVISEUR EXTERIEURS (VERSION EUROPEENNE)
AUSSENSPIEGEL (EUROPÄISCHE AUSFÜHRUNG)
DEGLI SPECCHIETTI ESTERNI (VERSIONE EUROPEA)
ESPEJOS EXTERIORES (VERSION EUROPEA)
UTSIDES BACKSPEGEL (EUROPEISK VERSION)
RE029714 -UN-13JUL98



RE029714

9E18

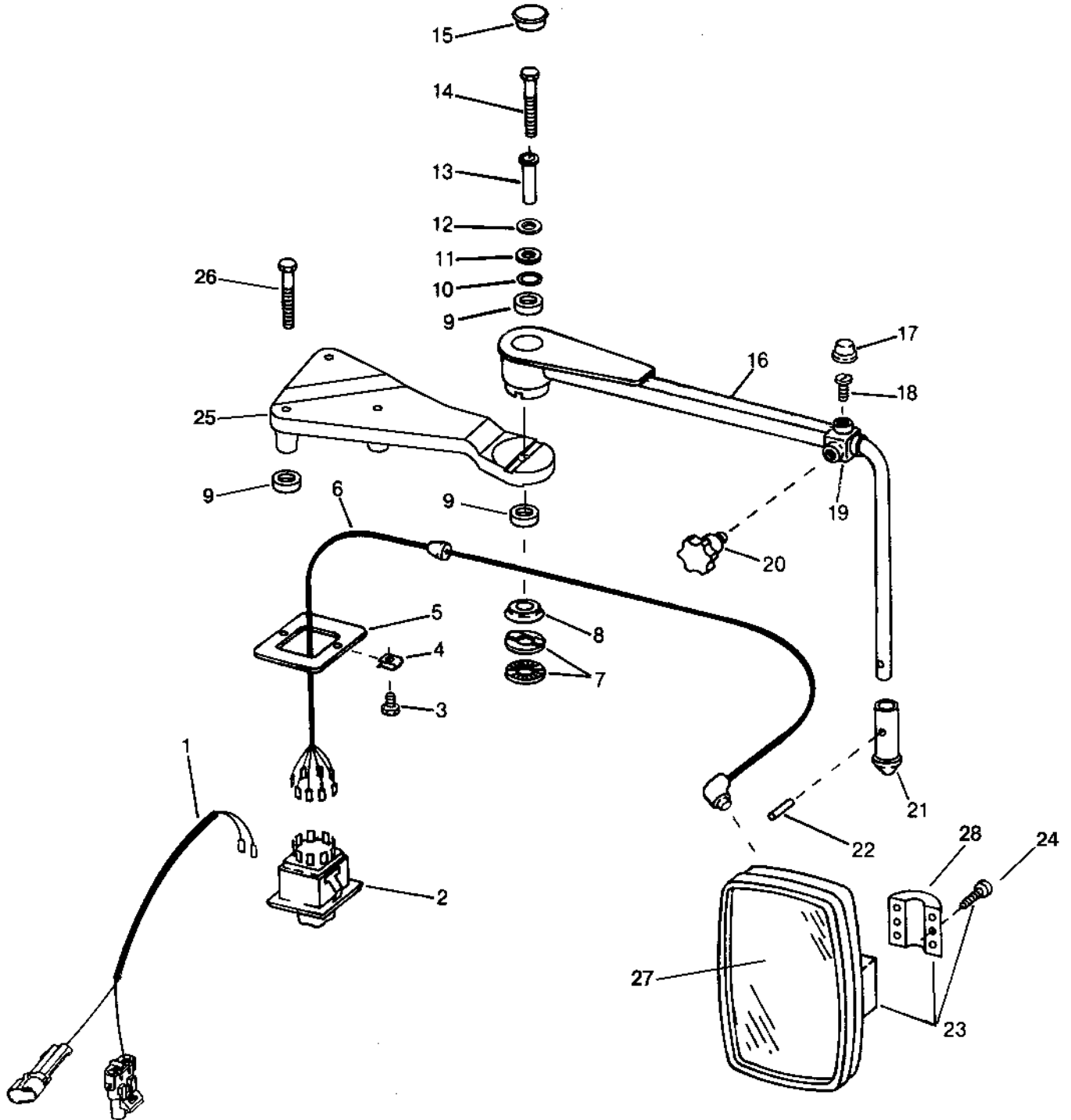
OPERATOR'S STATION

KEY	PART NO.	PART NAME	QTY	CAB SERIAL NO.	A L L	REMARKS
1	L78176	KNOB	2		X	
2	R129077	ADAPTER	2		X	R.H. (SUB FOR R126161)
	L79784	ADAPTER	2		X	L.H.
3	37M7108	SCREW	6		X	M8 X 60
4	R125905	BRACKET	1		X	L.H.
	R125906	BRACKET	1		X	R.H.
5	AL78021	REAR VIEW MIRROR	2		X	
6	34H312	SPRING PIN	2		X	
7	R125634	CAM	2		X	
8	R125713	SEAL	4		X	
9	R127769	SEAL	14		X	
10	51M7042	O-RING	2		X	13.300 X 2.200 MM
11	R48450	WASHER	2		X	
12	12M6601	DISK SPRING	18		X	14.200 X 28 X 1.500 MM
13	R125844	SPACER	2		X	
14	19M7875	CAP SCREW	2		X	M10 X 70
15	R71080	PLUG	2		X	
16	RE154994	SUPPORT	2		X	(INCLUDES (2) L79784 AND (2) 21M7292) (SUB FOR RE62025)
17	L38797	CAP	2		X	
18	21M7216	SCREW	2		X	M4 X 20
19	L78174	TUBE	2		X	

9E19

OPERATOR'S STATION

REMOTE POWER MIRROR (EUROPEAN VERSION)
RETROVISEUR TELECOMMANDE (VERSION EUROPEENNE)
FERNGESTEUERTER ELEKTRISCHER SPIEGEL (EUROPAEISCHE AUSFUEHRUNG)
SPECHIETTO MOTORIZZATO CON COMANDO A DISTANZA (VERSIONE EUROPEA)
ESPAJO CON MOTOR A CONTROL REMOTO (VERSION EUROPEA)
FJAERRKONTROLLERAD ELEKTRISK BACKSPEGEL (EUROPEISK VERSION)
RE029442 -UN-20APR98



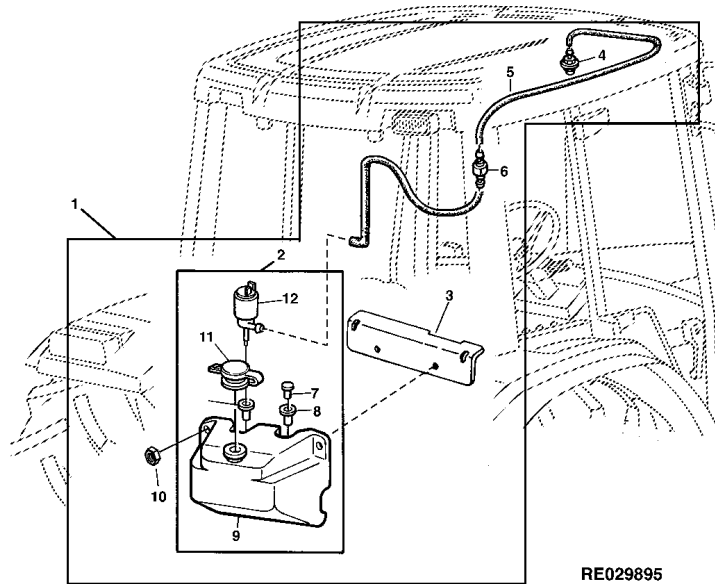
RE029442

9E20

OPERATOR'S STATION

KEY	PART NO.	PART NAME	QTY	CAB SERIAL NO.	A L L	REMARKS
1	RE62312	WIRING HARNESS	2		X	
2	AZ47908	SWITCH	2		X	
3	37M7185	SCREW	2		X	
4	R52130	LOCK NUT	2		X	
5	R134482	PLATE	2		X	(SUB FOR R125981)
6	AZ47788	WIRING HARNESS	2		X	
7	R125634	CAM	2		X	
8	R125713	SEAL	2		X	
9	R127769	SEAL	14		X	(SUB FOR R115705)
10	51M7042	O-RING	2		X	13.300 X 2.200 MM
11	R48450	WASHER	2		X	
12	12M6601	DISK SPRING	18		X	14.200 X 28 X 1.500 MM
13	R125844	SPACER	2		X	
14	19M7875	CAP SCREW	2		X	M10 X 70
15	R155065	PLUG	2		X	
16	RE62025	SUPPORT	2		X	
17	L38797	CAP	2		X	
18	21M7216	SCREW	2		X	M4 X 20
19	L78174	TUBE	2		X	
20	L78176	KNOB	2		X	
21	R129077	ADAPTER	2		X	R.H. (SUB FOR R126161)
	L79784	ADAPTER	1		X	L.H.
22	34H312	SPRING PIN	2		X	
23	RE65319	REAR VIEW MIRROR	2		X	(SUB FOR RE62297)
24	19M7603	SCREW	2		X	M6 X 20
25	R125906	BRACKET	1		X	R.H.
	R125905	BRACKET	1		X	L.H.
26	37M7108	SCREW	6		X	M8 X 60
27	R134059	REAR VIEW MIRROR	1		X	
28	R134060	HALF CLAMP	1		X	
..	R44302	TIE BAND	AR		X	

WINDSHIELD AND REAR WASHER KIT
 JEU DE LAVE-GLAVE AVANT ET ARRIERE
 SCHEIBEN-WASCHANLAGENSATZ VORNE UND HINTEN
 KIT LAVACRISTALLI ANTERIORE E POSTERIORE
 CONJUNTO DE LAVAPARABRISAS DELANTERO Y TRASERO
 VINDRUTESPOLARE FRAM OCH BAK
 RE029895 -UN-24SEP98

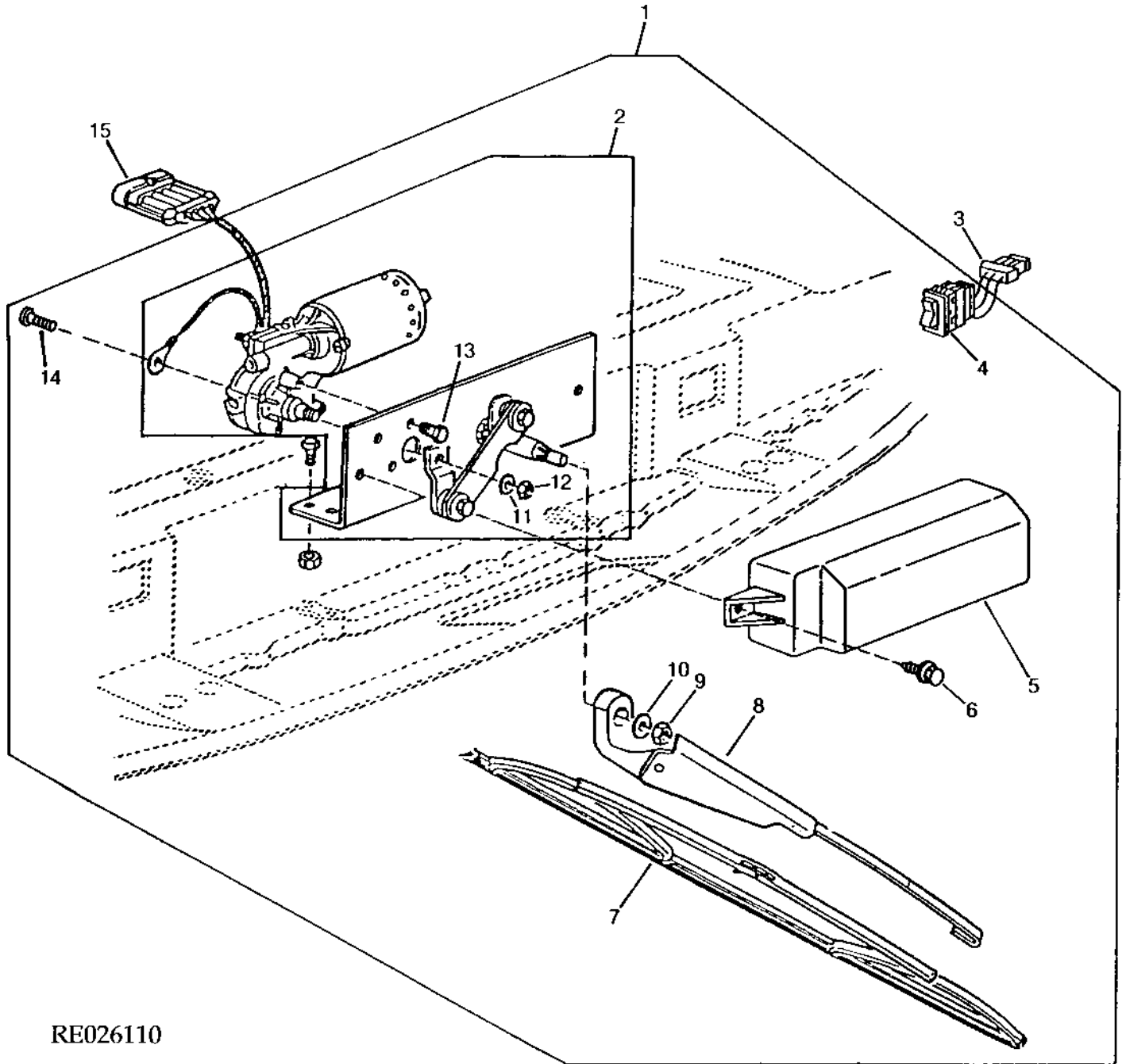


RE029895

KEY	PART NO.	PART NAME	QTY	CAB SERIAL NO.	REMARKS	
					A L	L
1	AR112601	WINDSHIELD WASHER	1		X	(FI)
2	AL77711	RESERVOIR	1		X	
3	RE55999	BRACKET	1		X	
4	AL35642	NOZZLE	2		X	
5	R120653	HOSE	2		X	
6	AL114275	CHECK VALVE	2		X	(SUB FOR AL39108)
7	L80015	PLUG	2		X	
8	L80014	GROMMET	2		X	
9	L78422	RESERVOIR	1		X	
10	14M7298	FLANGE NUT	2		X	M8
11	L80013	FILLER CAP	1		X	
12	AL79013	PUMP	2		X	

MEMORANDA
MEMORANDA
MEMORANDA
MEMORANDA
MEMORANDA

FRONT AND REAR WINDSHIELD WIPER
ESSUIE-GLACE AVANT/ARRIERE
VORN/HINTERER SCHEIBENWISCHER
SPAZZOLA PARABREZZA ANTERIORE/POSTERIORE
LIMPIADOR DE PARABRISAS FRONTE/TRASERO
FRAM/BAKRE VINDRUTETORKARE
RE026110 -UN-22MAR95



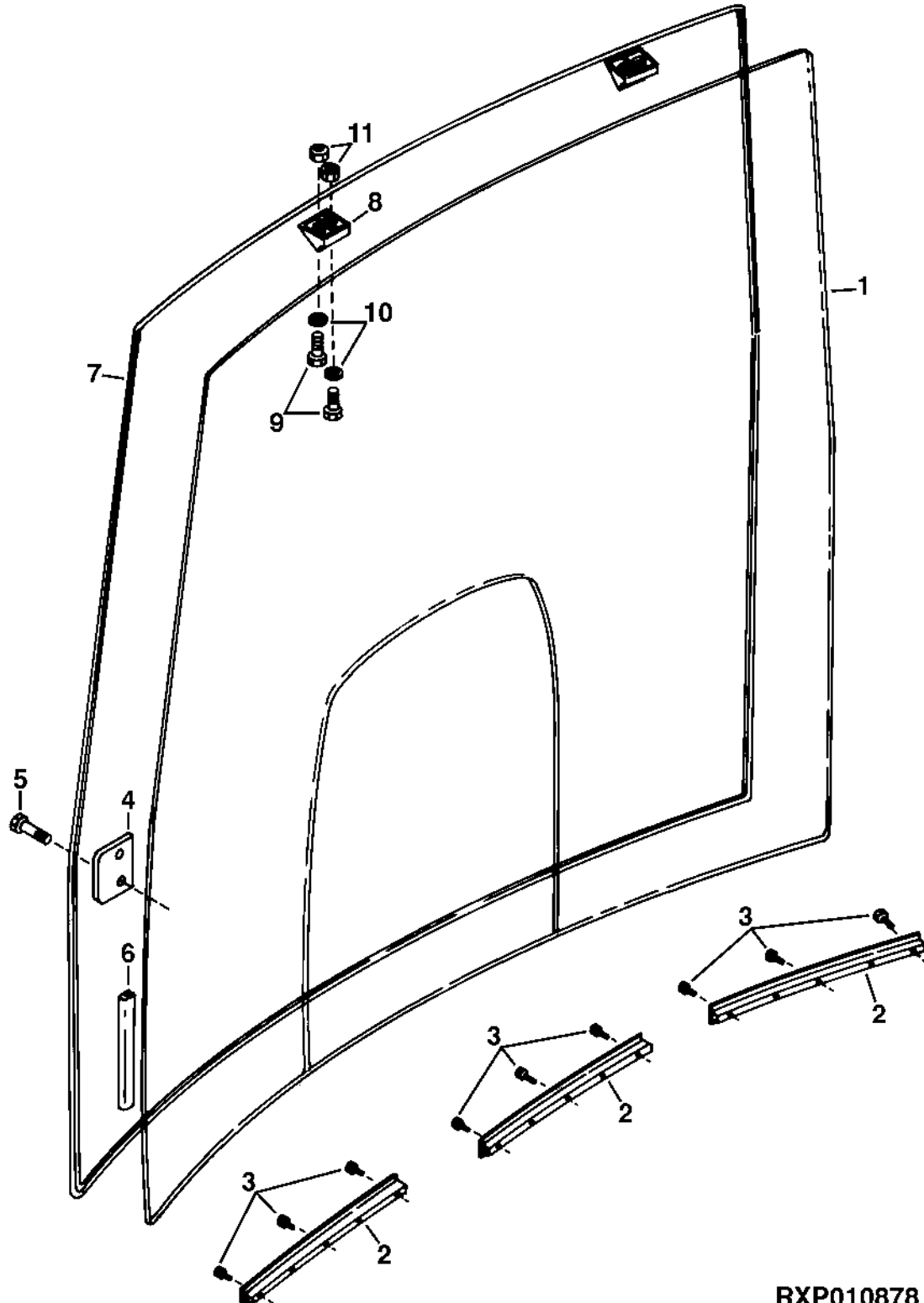
RE026110

KEY	PART NO.	PART NAME	QTY	CAB SERIAL NO.	A L L	REMARKS
1	AR112621	WINDSHIELD WIPER	1		X	(ALSO ORDER (3) 19M7923 AND 12M7006 AND 14M7272) (FI)
2	RE151494	WIPER MOTOR	1		X	(SUB FOR AL76686)
3	57M7255	RECEPTACLE CONNECTOR BODY	1		X	
	R104846	SOCKET CONTACT	3		X	
	57M7258	ELECTRICAL PLUG	3		X	
	57M7290	CONNECTOR	1		X	
4	RE55476	WIPER/WASHER SWITCH	1		X	
5	R161356	SHIELD	1		X	(SUB FOR R120705) REAR
	R106231	SHIELD	1		X	(SUB R120705) FRONT
6	37M7089	SCREW	2		X	M6 X 12
7	TY16306	WIPER BLADE	1		X	(SUB FOR RE24201)
8	RE151496	WIPER ARM	1		X	(SUB FOR AL75527)
9	14M7273	NUT	1		X	M8
10	24M7036	WASHER	1		X	9 X 16 X 1.600 MM
11	12M7006	LOCK WASHER	1		X	6.100 MM
12	14M7272	NUT	1		X	M6
13	19M7923	CAP SCREW	3		X	M6 X 12
14	37M7059	SCREW	3		X	M5 X 12
15	57M7244	PIN CONTACT CONNECTOR BODY	1		X	
	R104919	PIN CONTACT	4		X	
	57M7258	ELECTRICAL PLUG	4		X	
	57M7318	CONNECTOR	1		X	

9E24

OPERATOR'S STATION

WINDSHIELD
PARA-BRISE
WINDSCHUTZSCHEIBE
PARABREZZA
PARABRISAS
VINDRUTA
RXP010878 -UN-17MAR97



RXP010878

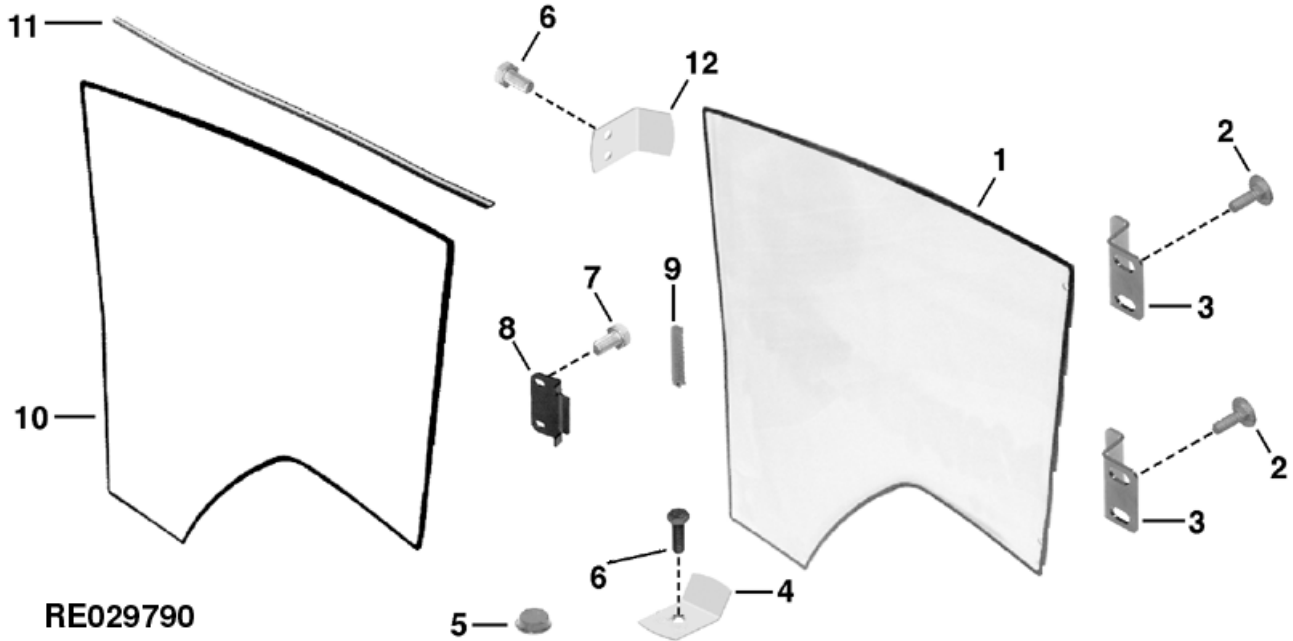
9E25

OPERATOR'S STATION

KEY	PART NO.	PART NAME	QTY	CAB SERIAL NO.	A L L	REMARKS
1	R135976	WINDOWPANE	1		X	(SUB FOR R124663, R119890 OR R128990)
	R135977	WINDOWPANE	1		X	(A) (SUB FOR R124664 OR R128991)
2	R119890	SUPPORT	3		X	
3	R81456	SCREW	15		X	
4	R115367	ADJUSTING STRAP	2		X	
5	37M7092	SCREW	2		X	M8 X 16
6	RE54810	ISOLATOR	1		X	
7	R115196	SEAL	1		X	
8	R151139	SUPPORT	2		X	(SUB FOR R96214) UP
9	21M7448	SCREW	4		X	(C)
10	24M7036	WASHER	4		X	9 X 16 X 1.600 MM
11	14M7166	LOCK NUT	4		X	M8

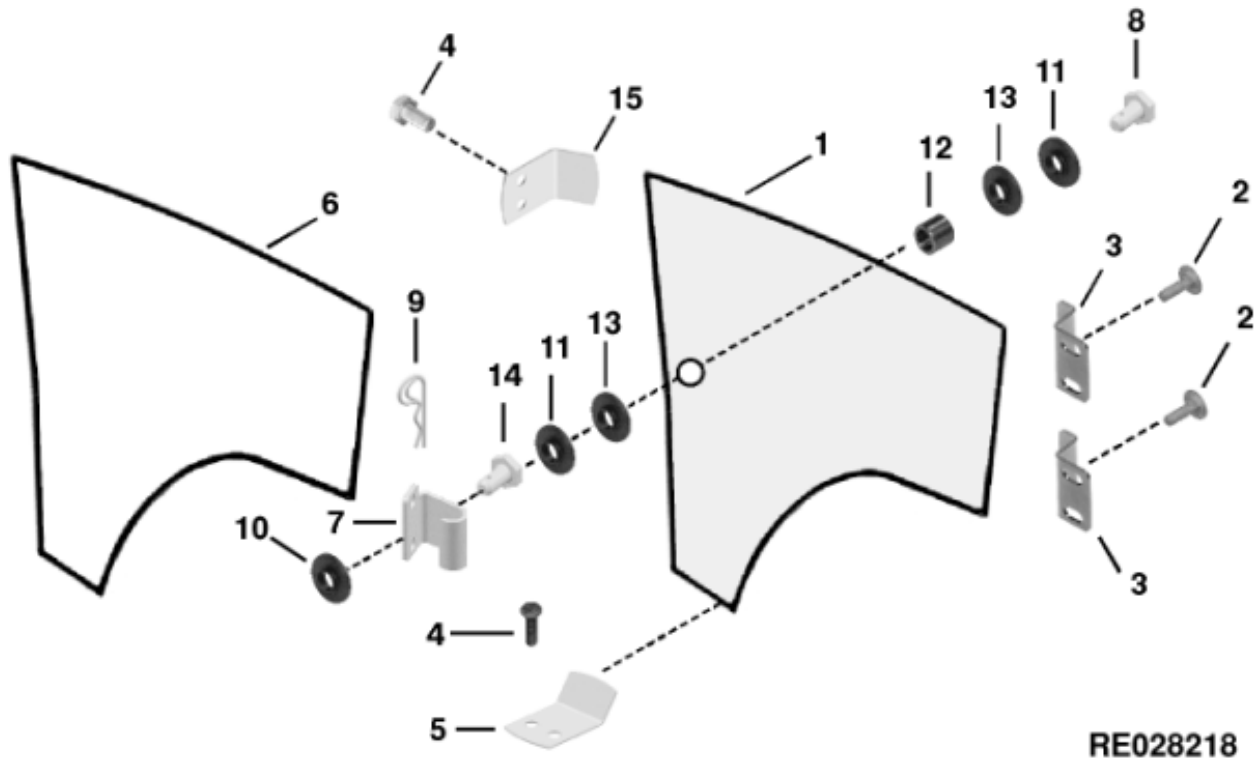
(A)EUROPEAN VERSION
 VERSION EUROPEENNE
 EUROPÄISCHE AUSFUEHRUNG
 VERSIONE EURPEA
 VERSION EUROPEA
 EUROPEISK VERSION

STATIONARY RIGHT-HAND GLASS
 VITRE FIXE COTE DROIT
 FESTSTEHENDE RECHTE GLASSCHEIBE
 VETRO STAZIONARIO DESTRO
 CRISTAL DERECHO FIJO
 FAST HOEGER RUTA
 RE029790 -UN-14JUL98



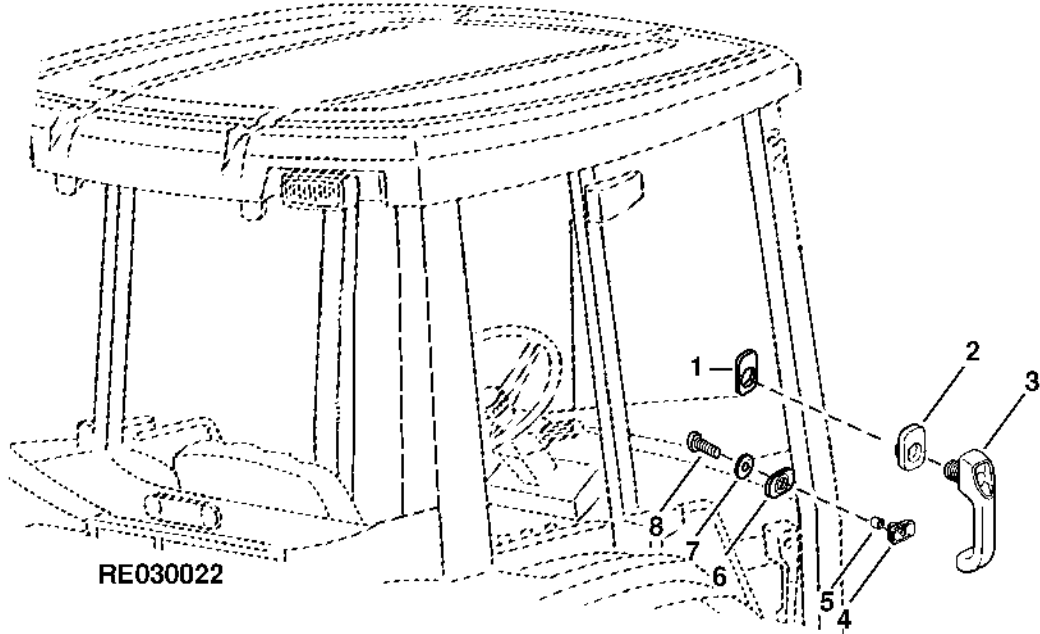
KEY	PART NO.	PART NAME	QTY	CAB SERIAL NO.	A	REMARKS
					L	
1	R124665	WINDOWPANE	1		X	
2	37M7257	SCREW	4		X	M8 X 16
3	R121790	CLAMP	2		X	
4	R133596	RETAINER	1		X	
5	R114059	SPACER	1		X	(SUB FOR R96753)
6	37M7121	SCREW	3		X	
7	37M7265	SCREW	2		X	M8 X 25
8	R119676	CLAMP	1		X	
9	RE54810	ISOLATOR	1		X	
10	RE54802	SEAL	1		X	
11	R83066	ISOLATOR	1		X	
12	R127718	RETAINER	1		X	(SUB FOR R125098)

RIGHT-HAND OPENING DOOR (EUROPEAN VERSION)
 PORTE DROITE OUVRABLE (VERSION EUROPEENNE)
 AUFMACHBARE RECHTE TUER (EUROPAEISCHE AUSFUEHRUNG)
 PORTA DESTRA APRIBILE (VERSIONE EUROPEA)
 PUERTA DERECHA ABRIBLE (VERSION EUROPEA)
 OEPPNINGSBAR HOEGER DOERR (EUROPEISK VERSION)
 RE028218 -UN-25AUG97



KEY	PART NO.	PART NAME	QTY	CAB SERIAL NO.	A		REMARKS
					L	L	
1	R124666	DOOR	1		X		
2	37M7257	SCREW	4		X		M8 X 16
3	R121790	CLAMP	2		X		
4	37M7121	SCREW	2		X		M6 X 12
5	R133596	RETAINER	1		X		
6	RE54802	SEAL	1		X		
7	R133868	PLATE	1		X		(SUB FOR R121785)
8	19M7162	CAP SCREW	2		X		M8 X 16
9	R121787	SPRING LOCKING PIN	1		X		
10	24M7036	WASHER	2		X		9 X 16 X 1.600 MM
11	L58890	WASHER	2		X		
	24H1375	WASHER	1		X		11/16" X 1-1/8" X 0.060"
12	H25220	BUSHING	1		X		
13	R108077	SEALING WASHER	2		X		
14	R124733	PIN	1		X		
15	R127718	RETAINER	1		X		(SUB FOR R125098)

DOOR HANDLE (OPENING RIGHT-HAND DOOR)(EUROPEAN VERSION)
 MANCHE (PORTE DROITE OUVRABLE)(VERSION EUROPEENNE)
 TUER GRIFF (AUFMACHBARE RECHTE TUER)(EUROPAEISCHE AUSFUEHRUNG)
 MANICO (PORTA DESTRA APRIBILE)(VERSIONE EUROPEA)
 MANGO (PUERTA DERECHA ABRIBLE)(VERSION EUROPEA)
 DOERR HANDTAG (OEPNINGSBAR HOEGER DOERR)(EUROPEISK VERSION)
 RE030022 -UN-23SEP98



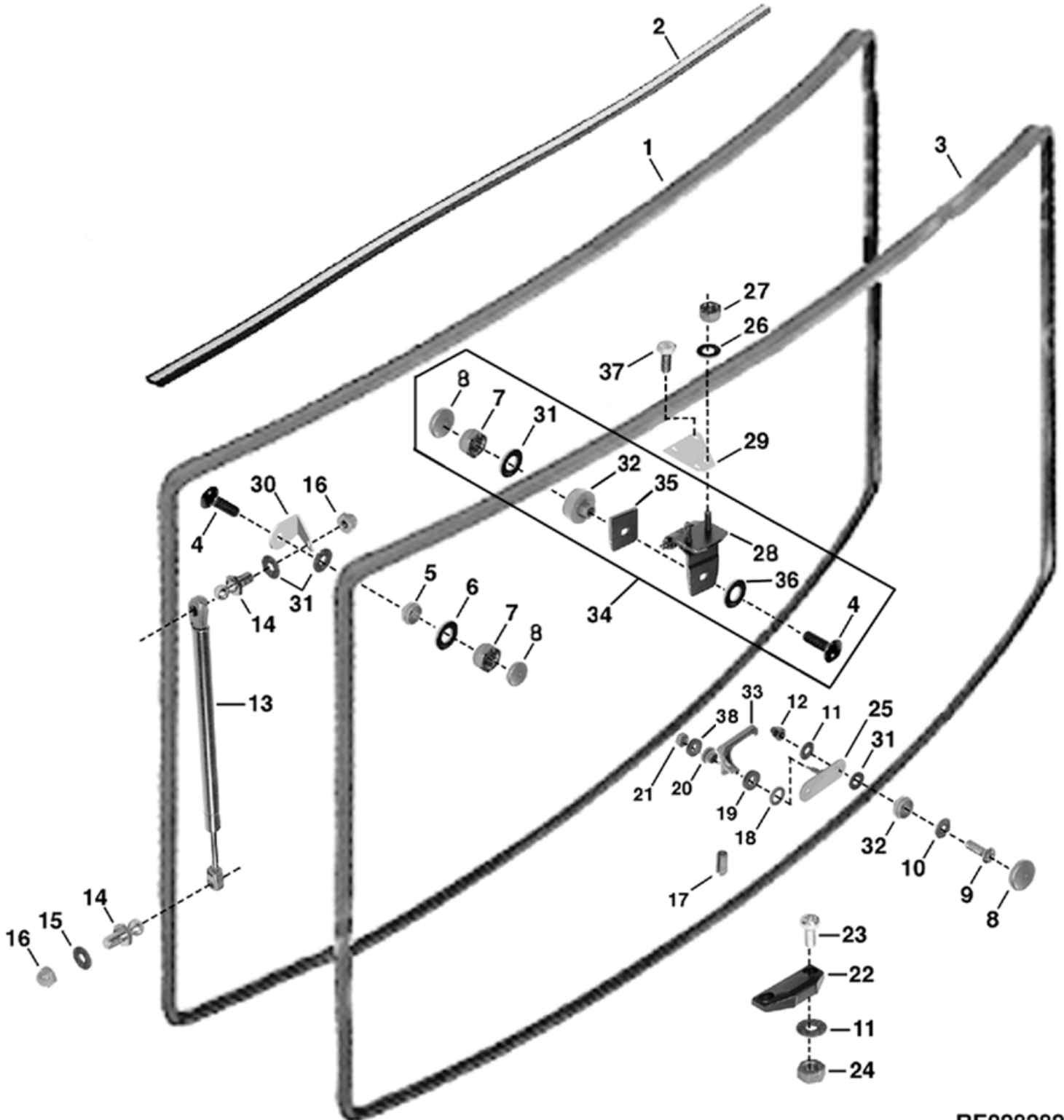
KEY	PART NO.	PART NAME	QTY	CAB SERIAL NO.	REMARKS
				7 7 7	
				6 7 8	
				0 0 0	
				0 0 0	
1	L76190	SEALING WASHER	1	X X X	R.H. (SUB FOR RE64177)
2	L113908	SEALING WASHER	1	X X X	
3	AL113174	HANDLE	1	X X X	
4	L113907	SEALING WASHER	1	X X X	L.H.
5	L78691	BUSHING	1	X X X	
6	L76189	SEALING WASHER	1	X X X	
7	L58890	WASHER	1	X X X	
8	19M7868	SCREW	1	X X X	

MEMORANDA
MEMORANDA
MEMORANDA
MEMORANDA
MEMORANDA

9F4

OPERATOR'S STATION

REAR WINDOW
LUNETTE
HECKFENSTER
FINISTRINO POSTERIORE
VENTANA TRASERA
BAKFONSTER
RE028282 -UN-15SEP97



RE028282

9F5

OPERATOR'S STATION

KEY	PART NO.	PART NAME	QTY	TRACTOR SERIAL NO.	A L L	REMARKS
1	RE54802	SEAL	1		X	
2	R117033	SEAL	1		X	UP
3	R124694	WINDOWPANE	1	-XXXXXX	X	(B) (SUB R130518)
	R130518	WINDOWPANE	1	XXXXXX-XXXXXX	X	(C) (F)
	R127903	WINDOWPANE	1	XXXXXX-	X	(G)
	R130522	WINDOWPANE	1	XXXXXX-XXXXXX	X	(A) (D) (SUB FOR R124695)
	R130522	WINDOWPANE	1	XXXXXX-XXXXXX	X	(A) (E) (F)
	R131208	WINDOWPANE	1	XXXXXX-	X	(A) (G)
4	03M7309	BOLT	2		X	M8 X 25
	03M7331	BOLT	1		X	
5	L78851	BUSHING	4		X	
6	24M7207	WASHER	4		X	8.400 X 24 X 2 MM
7	14M7166	LOCK NUT	4		X	M8
8	L78703	CAP	10		X	
9	21M7310	SCREW	8		X	M6 X 25
10	24M7100	WASHER	6		X	6.600 X 22 X 2 MM
11	24M7251	WASHER	3		X	6.400 X 18 X 1.600 MM
12	14M7376	LOCK NUT	2		X	M6
13	RE51083	GAS OPERATED CYLINDER	2	-XXXXXX	X	(F)
	RE66665	GAS OPERATED CYLINDER	2	XXXXXX-	X	(G)
14	R97588	BALL STUD	4		X	
15	24M7036	WASHER	2		X	9 X 16 X 1.600 MM
16	14M7478	LOCK NUT	2		X	M8
17	34M7126	SPRING PIN	1		X	5 X 12 MM
18	T27260	WASHER	2		X	
19	24M7044	WASHER	2		X	13 X 20 X 2 MM
20	99M7070	PLUG	1		X	(USE WITH RE50374)
	99M7109	PLUG	1		X	(USE WITH R133450)
21	14M7272	NUT	1		X	M6, (USE WITH RE50374)
	14M7165	LOCK NUT	1		X	M6, (USE WITH R133450)
22	R111570	LATCH	1		X	
23	R114820	SCREW	4		X	
24	24H1287	WASHER	1		X	9/32" X 5/8" X 0.065"
25	AL77794	FULCRUM	1		X	
26	24M7238	WASHER	2		X	8.700 X 17 X 2 MM
27	14M7273	NUT	2		X	M8
28	AL78062	HINGE	1	-XXXXXX	X	(H) (SUB RE155975) R.H.
	AL110724	HINGE	1	XXXXXX-	X	(I) R.H.
	AL78063	HINGE	1	-XXXXXX	X	(H) (SUB RE155975) L.H. (NLA)
	AL110725	HINGE	1	XXXXXX-	X	(I) L.H.
29	R126184	PLATE	1		X	
30	R107444	LATCH	2	-XXXXXX	X	(F)
	R127904	LATCH	2	XXXXXX-	X	(G)
31	L78704	SEALING WASHER	2		X	
32	L78705	BUSHING	8		X	
33	R133450	HANDLE	1		X	(SUB FOR RE50374 OR L75768)
34	RE155975	KIT	2	XXXXXX-	X	(I) (SUB FOR RE69919)
35	L111419	GASKET	2		X	
36	24M7036	WASHER	2		X	9 X 16 X 1.600 MM
37	19M7555	SCREW	2		X	M8 X 30
38	24H1287	WASHER	1		X	(USE WITH R133450)

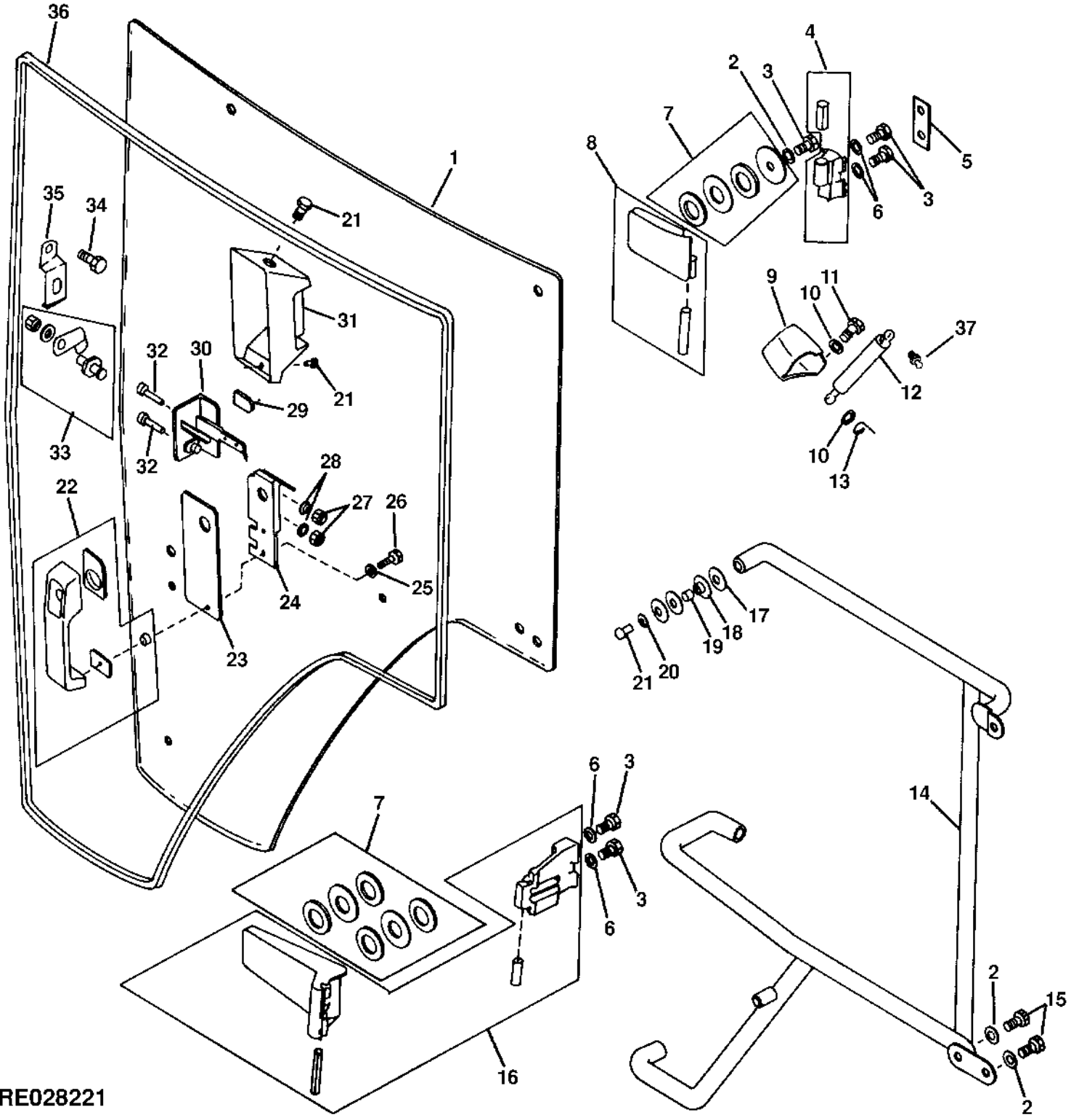
(A)EUROPEAN VERSION
 VERSION EUROPEENNE
 EUROPÄISCHE AUSFUEHRUNG
 VERSIONE EUROPEA
 VERSION EUROPEA
 EUROPEISK VERSION

(B)(-XXXXXX) 8100-003436; 8200-002653; 8300-004510; 8400-003001
 (C)(XXXXXX-) 8100-003437; 8200-002654; 8300-004511; 8400-003002
 (D)(-XXXXXX) 8100-004154; 8200-003107; 8300-005210; 8400-006127
 (E)(XXXXXX-) 8100-004155; 8200-003108; 8300-005211; 8400-006128
 (F)(-XXXXXX) 8100-005156; 8200-003732; 8300-006254; 8400-007009
 (G)(XXXXXX-) 8100-005157; 8200-003733; 8300-006255; 8400-007010
 (H)(-XXXXXX) 8100-012505; 8200-012062; 8300-012803; 8400-012768
 (I)(XXXXXX-) 8100-012506; 8200-012063; 8300-012804; 8400-012769

9F6

OPERATOR'S STATION

LEFT-HAND DOOR (8100 -001277; 8200 -001282; 8300 -001971)
PORTE GAUCHE (8100 -001277; 8200 -001282; 8300 -001971)
LINKE TUER (8100 -001277; 8200 -001282; 8300 -001971)
PORTIERA SINISTRA (8100 -001277; 8200 -001282; 8300 -001971)
PUERTA IZQUIERDA (8100 -001277; 8200 -001282; 8300 -001971)
VAENSTER DOERR (8100 -001277; 8200 -001282; 8300 -001971)
RE028221 -UN-25AUG97



RE028221

KEY	PART NO.	PART NAME	QTY	CAB SERIAL NO.	A L L	REMARKS
1	R107274	WINDOWPANE	1		X	
	R120202	WINDOWPANE	1		X	(A)
2	12M7032	LOCK WASHER	4		X	
3	19M7647	SCREW	1		X	M8 X 16
4	RE46588	HINGE	1		X	UP
5	R122180	STRAP	2		X	
6	24M7055	WASHER	3		X	8.400 X 16 X 1.600 MM
7	RE50378	KIT	3		X	
8	RE46587	HINGE	1		X	UP
9	R124309	COVER	1		X	
10	24M7362	WASHER	2		X	8.400 X 16 X 1.600 MM
11	37H80	SCREW	1		X	0.190" X 1/2"
12	RE44680	GAS OPERATED CYLINDER	1		X	(ALSO ORDER (2) R97588)
13	R84529	RETAINER	1		X	
14	RE160005	HANDLE	1		X	(SUB FOR RE60998)
15	19M7881	SCREW	6		X	M8 X 20
16	RE46589	HINGE	1		X	
17	L58890	WASHER	8		X	
18	R108077	SEALING WASHER	8		X	
19	H25220	BUSHING	4		X	
20	24M7036	WASHER	4		X	9 X 16 X 1.600 MM
21	21M7392	SCREW	4		X	M8 X 30
22	RE50376	KIT	1		X	
23	R124360	PLATE	1		X	
24	R125242	ANGLE	1		X	
25	24M7088	WASHER	1		X	
26	21M7310	SCREW	1	-XXXXXX	X	(B) M6 X 25
	19M7286	CAP SCREW	1	XXXXXX-	X	(C) M6 X 25
27	14M7327	LOCK NUT	2		X	M8
28	24M7055	WASHER	2		X	
29	L76191	HANDLE	1		X	
30	AL75638	LOCK	1	-009000	X	(SUB AL83131)
	RE64525	KIT	1	010000-	X	
31	R124268	COVER	1		X	(SUB R126274)
32	21M7381	SCREW	2		X	M8 X 35
33	RE50379	KIT	1		X	(ALSO ORDER 24H1756 AND A31867)
34	19M7162	CAP SCREW	2		X	M8 X 16
35	R124593	PLATE	1		X	
36	RE54802	SEAL	1		X	
37	R97588	BALL STUD	2		X	

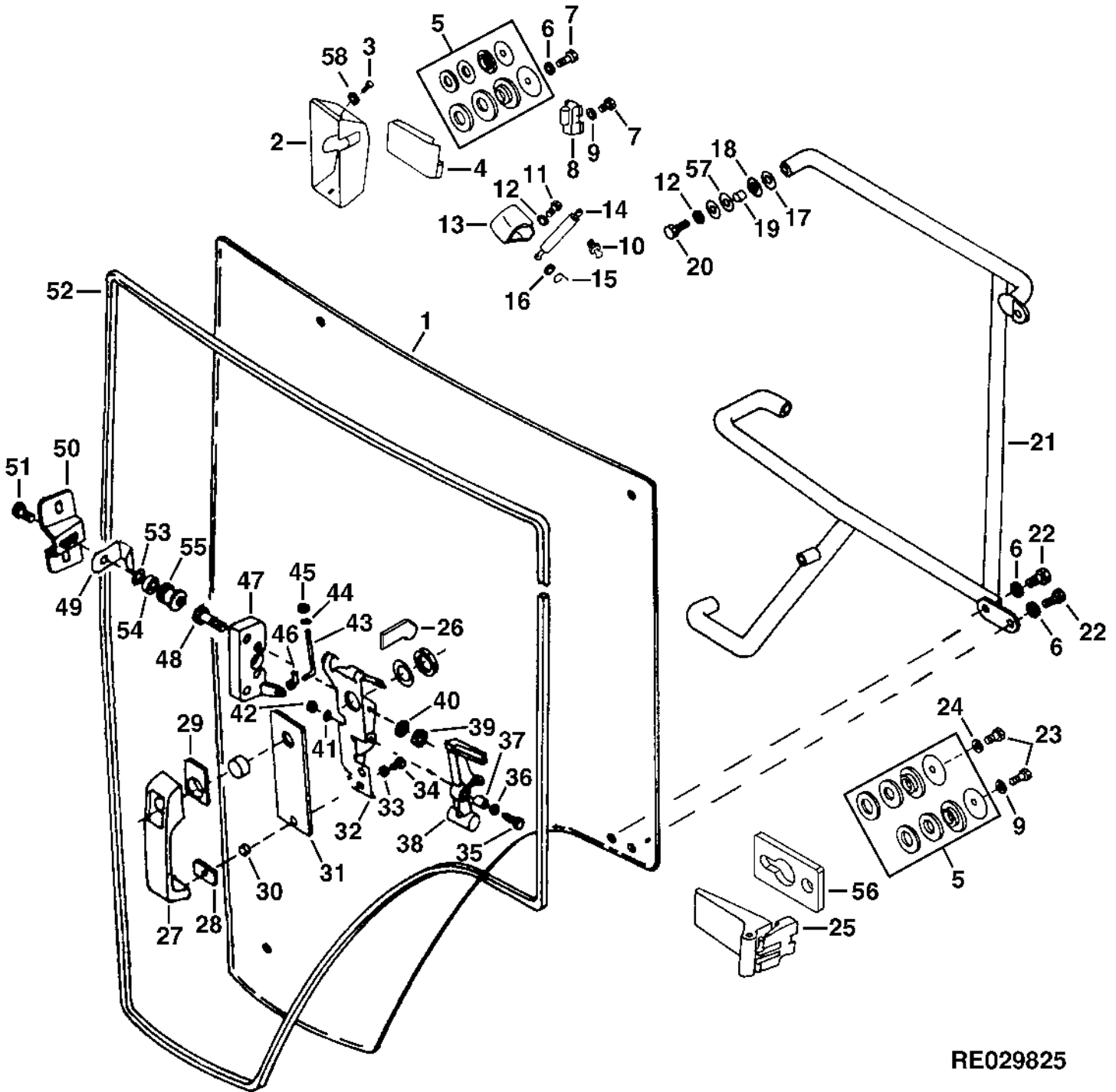
(A)EUROPEAN VERSION
 VERSION EUROPEENNE
 EUROPÄISCHE AUSFUEHRUNG
 VERSIONE EUROPEA
 VERSION EUROPEA
 EUROPEISK VERSION

(B)(-XXXXXX) 8100-001541; 8200-001494; 8300-002559; 8400-001158
 (C)(XXXXXX-) 8100-001542; 8200-001495; 8300-002560; 8400-001159

9F8

OPERATOR'S STATION

LEFT-HAND DOOR (8100 001278- ; 8200 001283- ; 8300 001972- ; 8400 000001-)
PORTE GAUCHE (8100 001278- ; 8200 001283- ; 8300 001972- ; 8400 000001-)
LINKE TUER (8100 001278- ; 8200 001283- ; 8300 001972- ; 8400 000001-)
PORTIERA SINISTRA (8100 001278- ; 8200 001283- ; 8300 001972- ; 8400 000001-)
PUERTA IZQUIERDA (8100 001278- ; 8200 001283- ; 8300 001972- ; 8400 000001-)
VAENSTER DOERR (8100 001278- ; 8200 001283- ; 8300 001972- ; 8400 000001-)
RE029825 -UN-20AUG98



RE029825

KEY	PART NO.	PART NAME	QTY	CAB SERIAL NO.	A L L	REMARKS
1	R107274	WINDOWPANE	1	-009999	X	
	R131166	WINDOWPANE	1	010000-	X	(SUB R156054)
	R120202	WINDOWPANE	1	-009999	X	(A)
	R131165	WINDOWPANE	1	010000-	X	(A) (SUB R157210)
2	R126274	COVER	1		X	
3	37M7277	SCREW	4		X	
4	RE46587	HINGE	1		X	
5	RE50378	KIT	3		X	
6	12M7032	LOCK WASHER	3		X	8.400 MM
7	19M7163	CAP SCREW	2		X	M8 X 25
8	RE46588	HINGE	1		X	UP
9	24M7055	WASHER	2		X	8.400 X 16 X 1.600 MM
10	R97588	BALL STUD	1		X	
11	37H80	SCREW	1		X	0.190" X 1/2"
12	24M7036	WASHER	1		X	9 X 16 X 1.600 MM
13	R124309	COVER	1		X	
14	RE44680	GAS OPERATED CYLINDER	1		X	(ALSO ORDER (2) R97588)
	RE58715	GAS OPERATED CYLINDER	1		X	(A) (ALSO ORDER (2) R97588)
15	R84529	RETAINER	2		X	
16	24M7362	WASHER	2		X	8.400 X 16 X 1.600 MM
17	L58890	WASHER	1		X	
18	L78703	CAP	1		X	
19	L78851	BUSHING	1		X	
20	19M8323	SCREW	1		X	M8 X 40
21	RE160005	HANDLE	1	-XXXXXX	X	(B) (SUB FOR RE60998)
	RE160005	HANDLE	1	XXXXXX-	X	(C)
22	19M7881	SCREW	6		X	M8 X 20
23	19M7288	CAP SCREW	2		X	M8 X 30
24	24M7055	WASHER	2		X	8.400 X 16 X 1.600 MM
25	RE46589	HINGE	1		X	
26	L76191	HANDLE	1		X	
27	RE64646	KIT	1		X	(NLA) (ORDER COMPONENT PARTS)
	RE64525	KIT	1	-025209	X	(INCLUDES M112442, RE50874, R126271, R131356, R126365, R127216, R82272, R82444, R82445)
	AL113174	HANDLE	1	025210-	X	
28	L76189	SEALING WASHER	1	-025209	X	(ORDER RE64525)
	L113907	SEALING WASHER	1	025210-	X	
29	L76190	SEALING WASHER	1	-025209	X	(ORDER RE64525)
	L113908	SEALING WASHER	1	025210-	X	
30	L78691	BUSHING	1		X	(ORDER RE64525)
31	R126282	PLATE	1		X	
32	R131356	ANGLE	1		X	(SUB FOR R131356)

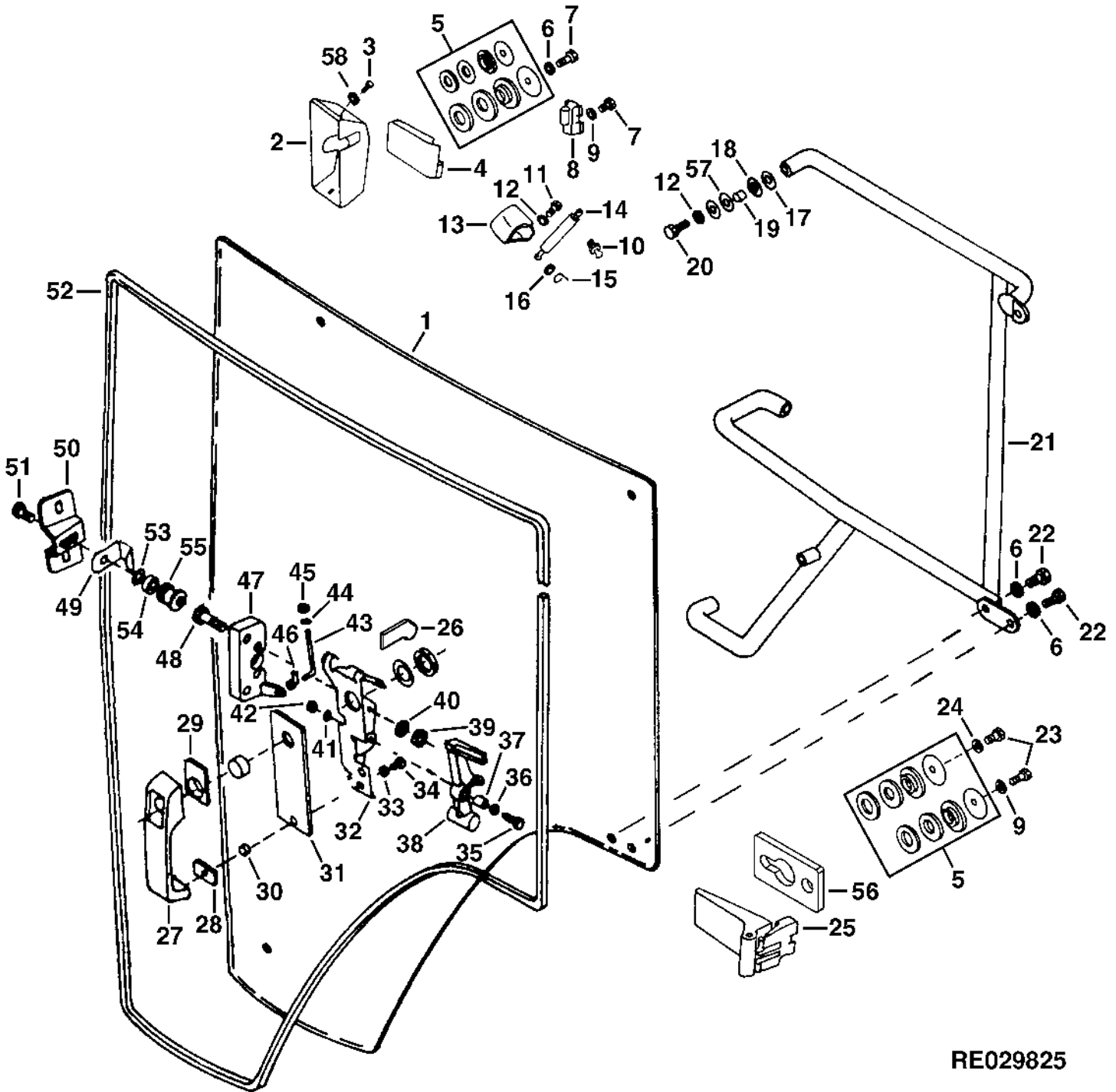
(A) EUROPEAN VERSION
 VERSION EUROPEENNE
 EUROPÄISCHE AUSFÜHRUNG
 VERSIONE EUROPEA
 VERSION EUROPEA
 EUROPEISK VERSION

(B) (-XXXXXX) 8100-025225; 8200-022223; 8300-025216; 8400-025209
 (C) (XXXXXX-) 8100-025226; 8200-022224; 8300-025217; 8400-025210

9F10

OPERATOR'S STATION

LEFT-HAND DOOR (8100 001278- ; 8200 001283- ; 8300 001972- ; 8400 000001-)
PORTE GAUCHE (8100 001278- ; 8200 001283- ; 8300 001972- ; 8400 000001-)
LINKE TUER (8100 001278- ; 8200 001283- ; 8300 001972- ; 8400 000001-)
PORTIERA SINISTRA (8100 001278- ; 8200 001283- ; 8300 001972- ; 8400 000001-)
PUERTA IZQUIERDA (8100 001278- ; 8200 001283- ; 8300 001972- ; 8400 000001-)
VAENSTER DOERR (8100 001278- ; 8200 001283- ; 8300 001972- ; 8400 000001-)
RE029825 -UN-20AUG98



RE029825

9F11

OPERATOR'S STATION

KEY	PART NO.	PART NAME	QTY	CAB SERIAL NO.	A L L	REMARKS
33	24M7088	WASHER	2		X	6.600 X 12 X 1.600 MM
34	19M7286	CAP SCREW	1		X	M6 X 25
35	19M7866	SCREW	1		X	M8 X 20
36	24M7207	WASHER	1		X	8.400 X 24 X 2 MM
37	M112442	BUSHING	1		X	
38	R127216	BELLCRANK	1		X	
39	14M7272	NUT	4		X	M6
40	12M7006	LOCK WASHER	4		X	6.100 MM
41	12M7065	LOCK WASHER	2		X	8.100 MM
42	14M7273	NUT	2		X	M8
43	R82444	HOOK BOLT	1		X	
44	U45916	LOCK NUT	1		X	
45	24H1283	WASHER	1		X	
46	R82445	RETAINER	1		X	
47	RE50874	LATCH	1	-025209	X	
	RE65760	LATCH	1	025210-	X	
48	19M7874	CAP SCREW	4		X	M6 X 30
49	R126271	SHIELD	1		X	
50	R128695	SUPPORT	1		X	(SUB FOR R126275)
51	03M7192	BOLT	1		X	M10 X 30
52	RE54802	SEAL	1		X	
53	24H1219	WASHER	1		X	7/16" X 1" X 0.083"
54	24H1781	WASHER	1		X	13/32" X 7/8" X 1/4"
55	R134619	STRIKER	1		X	(SUB FOR R82272)
56	R124417	RETAINER	1		X	
57	R131261	WASHER	2		X	
58	24M7419	WASHER	3		X	

(A) EUROPEAN VERSION
 VERSION EUROPEENNE
 EUROPÄISCHE AUSFUEHRUNG
 VERSIONE EUROPEA
 VERSION EUROPEA
 EUROPEISK VERSION

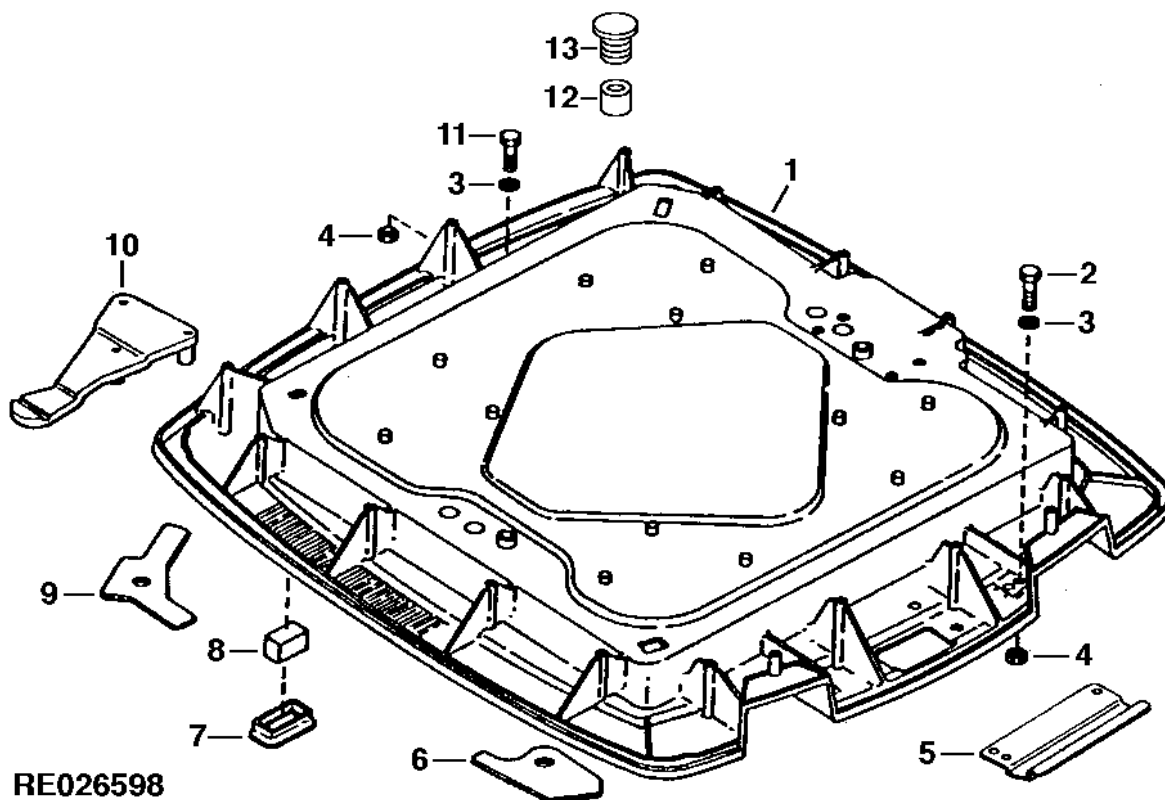
(B) (-XXXXXX) 8100-025225; 8200-022223; 8300-025216; 8400-025209
 (C) (XXXXXX-) 8100-025226; 8200-022224; 8300-025217; 8400-025210

9F12

OPERATOR'S STATION

INNER ROOF
TOIT INTERIEUR
INNENDACH
TETTO INTERNO
TECHO INTERNO
INNERTAK

RE026598 -UN-04DEC95



RE026598

KEY	PART NO.	PART NAME	QTY	CAB SERIAL NO.	A		REMARKS
					L	L	
1	R124154	ROOF	1	-XXXXXX	X		(B) (SUB R130318 AND (4) 37M7084)
	R130318	ROOF	1	XXXXXX-	X		(C)
2	19M7163	CAP SCREW	4	-XXXXXX	X		(B) M8 X 25
	37M7084	SCREW	4	XXXXXX-	X		(C) M8 X 25
3	24M7207	WASHER	8		X		8.400 X 24 X 2 MM
4	14M7273	NUT	8		X		M8
5	R125078	COVER	1		X		
6	R120358	SEAL	2		X		(SUB RE71267) REAR
7	R112828	SEAL	3		X		
8	R55327	ISOLATOR	2		X		
9	R120357	SEAL	2		X		(SUB RE71267) FRONT
10	R125906	BRACKET	1		X		(A) (SUB FOR R126105) R.H.
	R125905	BRACKET	1		X		(SUB FOR R126103) L.H.
11	19M7979	SCREW	4		X		M8 X 55
12	R127767	GROMMET	2		X		
13	R129433	INSERT	1		X		

(A)EUROPEAN VERSION
VERSION EUROPEENNE
EUROPAEISCHE AUSFUEHRUNG
VERSIONE EUROPEA
VERSION EUROPEA
EUROPEISK VERSION

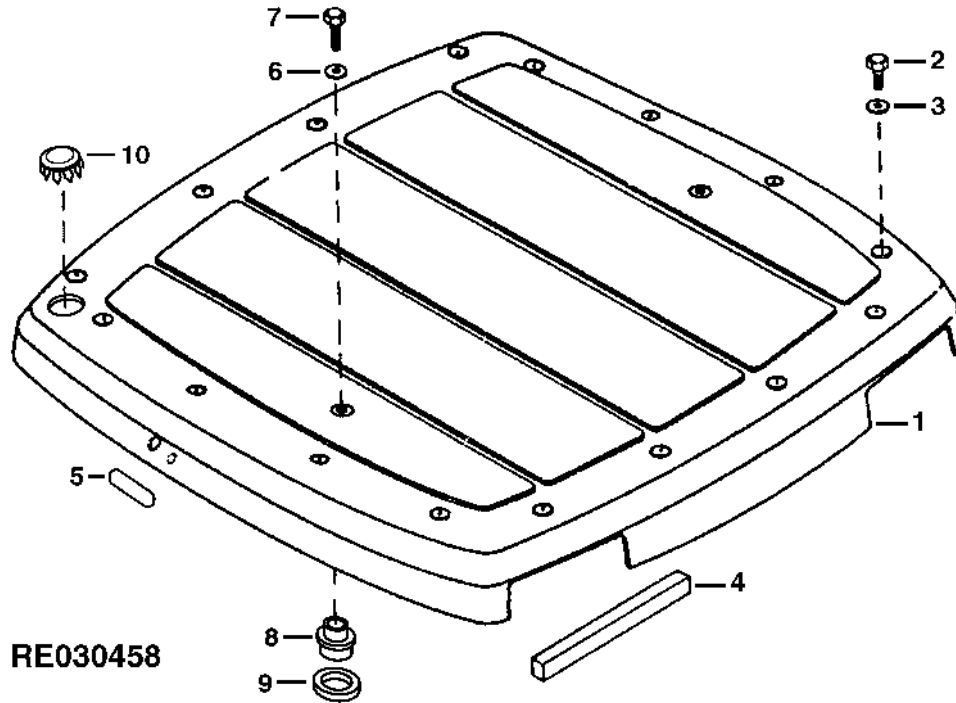
(B)(-XXXXXX) 8100-003000; 8200-002366; 8300-004116; 8400-002678
(C)(XXXXXX-) 8100-003001; 8200-002367; 8300-004117; 8400-002679

9F13

OPERATOR'S STATION

OUTER ROOF
TOIT EXTERIEUR
AUSSENDACH
TETTO ESTERNO
TECHO EXTERNO
YTERTAK

RE030458 -UN-24MAR99



RE030458

KEY	PART NO.	PART NAME	QTY	TRACTOR SERIAL NO.	A		REMARKS
					L	L	
1	RE150587	ROOF	1	-XXXXXX	X		(B) (SUB FOR RE60667 AND RE67377) (ALSO ORDER R28473)
	RE152556	ROOF	1	XXXXXX-	X		(C)
	RE150589	ROOF	1	-XXXXXX	X		(A) (B) (SUB FOR RE62192 OR RE67618)
	RE152557	ROOF	1	XXXXXX-	X		(A) (C)
2	R117569	SCREW	16		X		
3	24M7100	WASHER	16		X		6.600 X 22 X 2 MM
4	R125869	FOAM PAD	5		X		
5	R81207	COVER	2		X		
6	24M7338	WASHER	2	-XXXXXX	X		(B) 17 X 30 X 3 MM
	24M7315	WASHER	2	XXXXXX-	X		(C) 17 X 50 X 3 MM
7	19M7394	CAP SCREW	2		X		M16 X 25
8	R152119	SPACER	2	XXXXXX-	X		(C)
9	R152120	SEAL	2	XXXXXX-	X		(C)
10	R28473	PLUG	2		X		

(A)EUROPEAN VERSION
VERSION EUROPEENNE
EUROPAEISCHE AUSFUEHRUNG
VERSIONE EUROPEA
VERSION EUROPEA
EUROPEISK VERSION

(B) (-XXXXXX) 8100-013075; 8200-012538; 8200-013580; 8400-013476
(C) (XXXXXX-) 8100-013076; 8200-012539; 8300-013581; 8400-013477

MEMORANDA
MEMORANDA
MEMORANDA
MEMORANDA
MEMORANDA

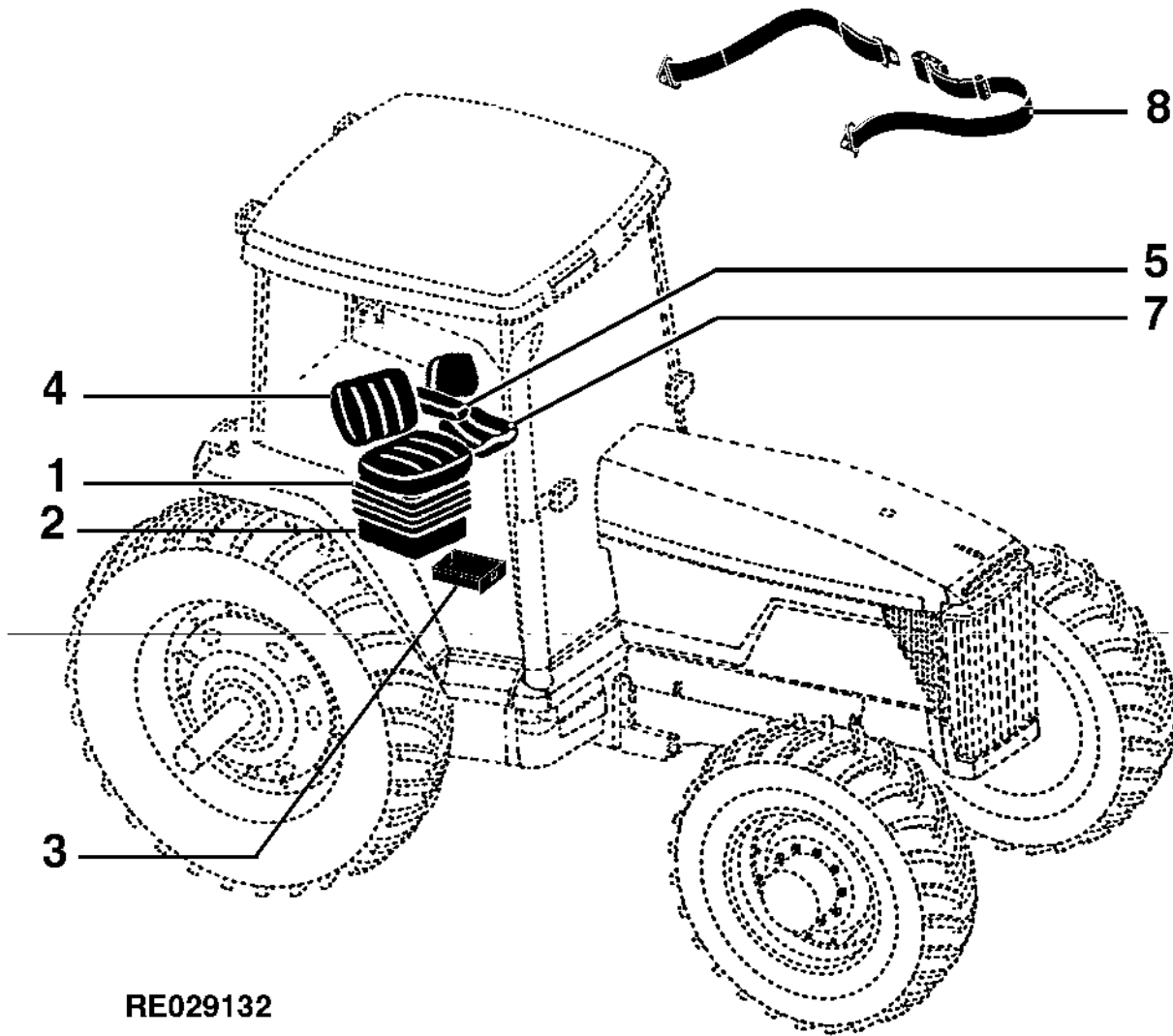
9F15

SEAT

SECTIONAL INDEX
INDEX DE SECTION
GRUPPENINDEX
INDICE DELLA SEZIONE
INDICE DE SECCION
GRUPPSFORTECKNING

RE029132 -UN-10MAY99

1 -	9F17
2 -	9F24
3 -	9G1
4 -	9G3
5 -	9G5
6 -	9G7
7 -	9G9
8 -	9G13



RE029132

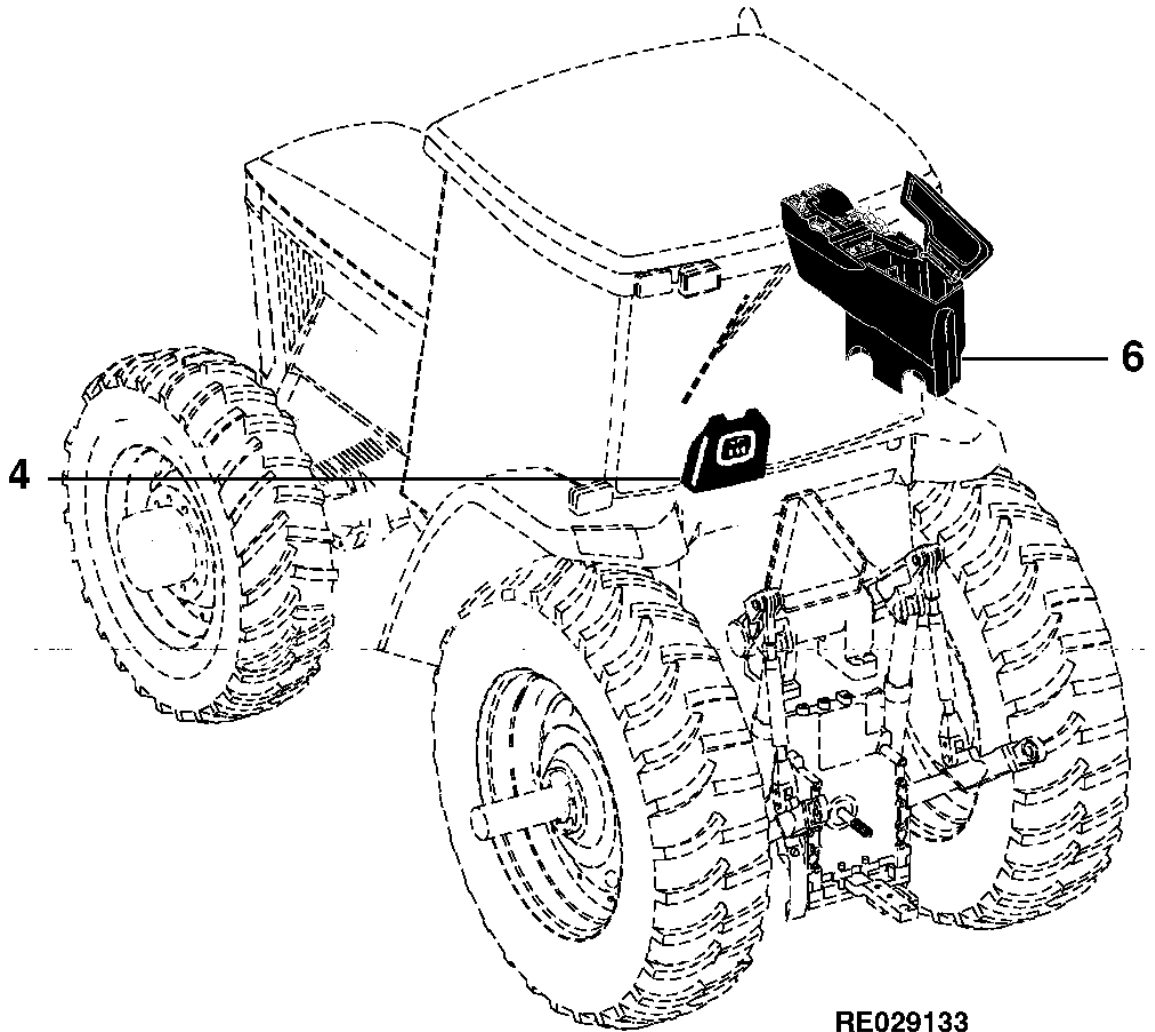
9F16

SEAT

SECTIONAL INDEX
INDEX DE SECTION
GRUPPENINDEX
INDICE DELLA SEZIONE
INDICE DE SECCION
GRUPPSFORTECKNING

RE029133 -UN-10MAY99

1 -	9F17
2 -	9F24
3 -	9G1
4 -	9G3
5 -	9G5
6 -	9G7
7 -	9G9
8 -	9G13



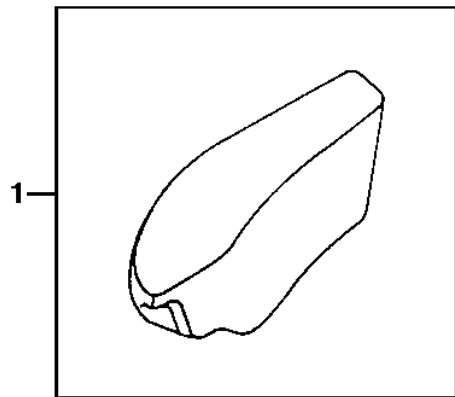
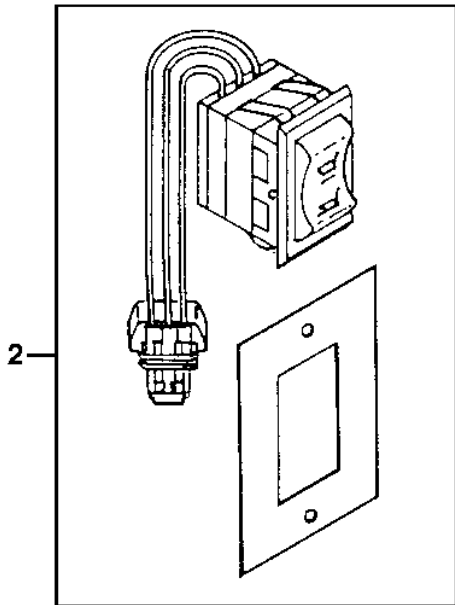
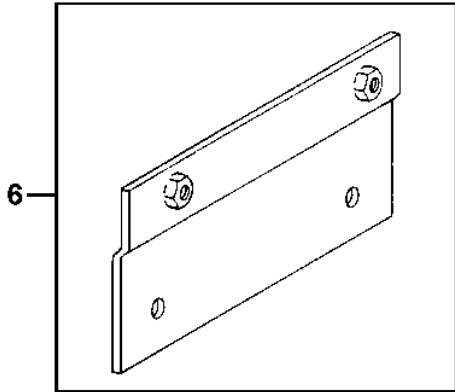
RE029133

MEMORANDA
MEMORANDA
MEMORANDA
MEMORANDA
MEMORANDA

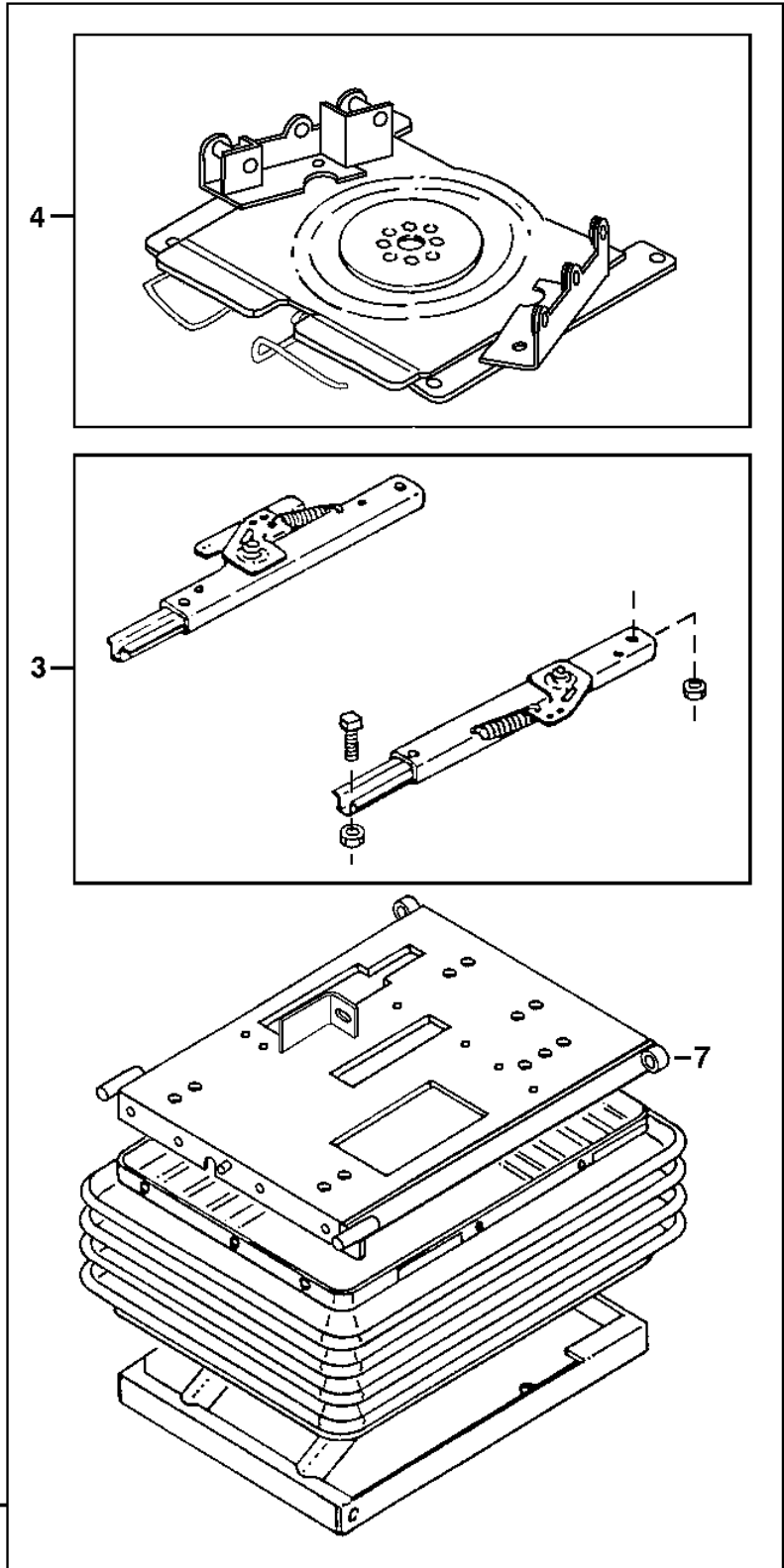
9F17

SEAT

AIR SEAT SUSPENSION
SUSPENSION PNEUMATIQUE DE SIEGE
SITZ MIT LUFTFEDERUNG
SEDILE CON PNEUMOSOSPENSIONE
SUSPENSION DE ASIENTO NEUMATICO
SITS MED LUFTJAEDRING
RE030573 -UN-12MAY99



RE030573



9F18

SEAT

KEY	PART NO.	PART NAME	QTY	CAB SERIAL NO.	A L L	REMARKS
1	RE52564	ARMREST KIT	1		X	(A) L.H. (ALSO ORDER RE58084)
	RE52566	ARMREST KIT	1		X	(B) L.H.
2	RE52562	SEAT HEIGHT SWITCH KIT	1		X	
	RE43451	ROCKER SWITCH	1		X	
3	RE52563	SEAT SLIDE TRACK KIT	1		X	
4	RE60601	KIT	1		X	
5	RE60602	SEAT SUSPENSION	1		X	
6	AR72055	ADAPTER	1		X	
7	RE58025	HOUSING	1		X	

(A)TILT-UP
INCLINAISON VERS LE HAUT
HICKIPP
RIBALTAMENTO
INCLINAR HACIA ARRIBA
TIPPBAR

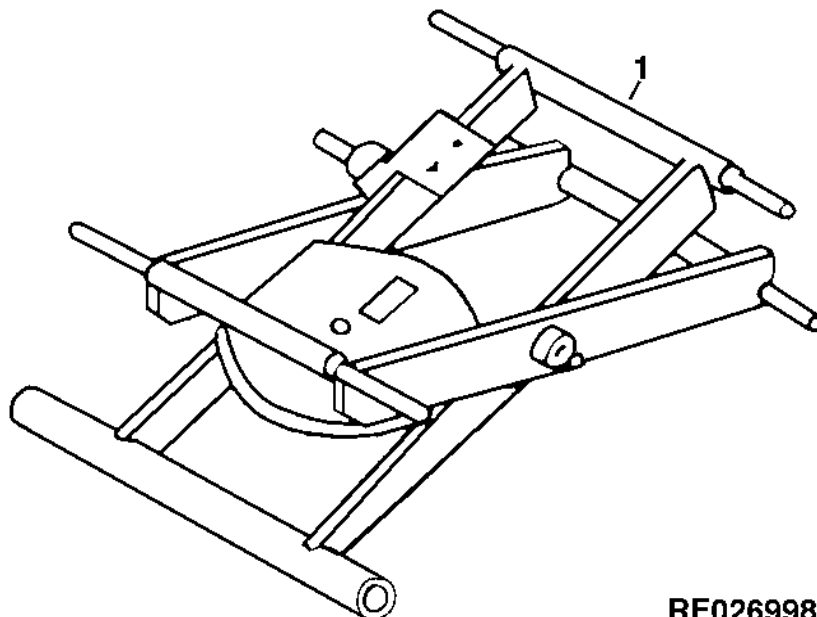
(B)ADJUSTABLE
REGLABLE
EINSTELLBAR
REGOLABILE
ADJUSTABLE
REGLERBAR

MEMORANDA
MEMORANDA
MEMORANDA
MEMORANDA
MEMORANDA

9F19

SEAT

AIR SEAT SUSPENSION ARM
BRAS DE SUSPENSION PNEUMATIQUE DE SIEGE
ARM FUER LUFTGEFEDERTEN FAHRERSITZ
BRACCIO SOSPENSIONE PNEUMATICA SEDILE
BRAZO DE SUSPENSION DE ASIENTO NEUMATICO
ARM FOER LUFTFJAEDRAT SAETE
RE026998 -UN-17MAR97



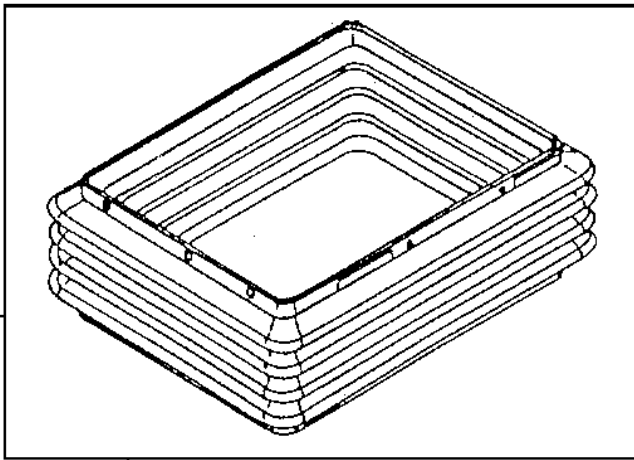
RE026998

KEY	PART NO.	PART NAME	QTY	CAB SERIAL NO.	A L L REMARKS
1	RE69069	SEAT SUSPENSION	1		X

9F20

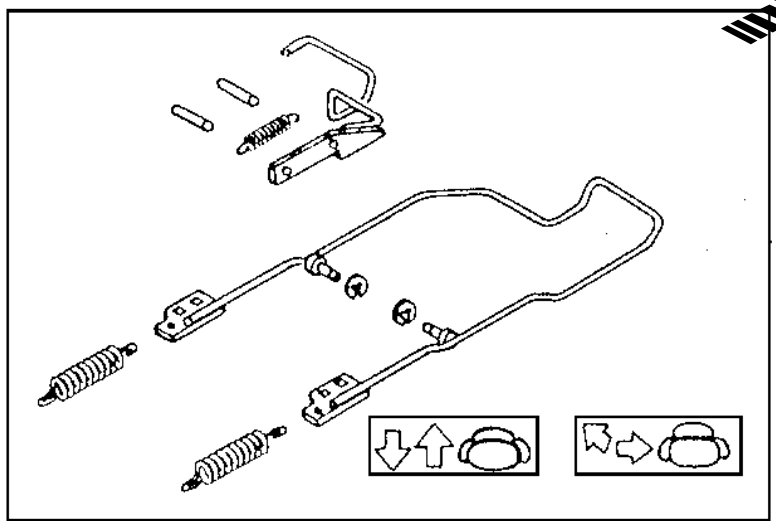
SEAT

AIR SEAT SUSPENSION
SUSPENSION PNEUMATIQUE DE SIEGE
SITZ MIT LUFTFEDERUNG
SEDILE CON PNEUMOSPENSIONE
SUSPENSION DE ASIENTO NEUMATICO
SITS MED LUFTFJAEDRING
RE027978 -UN-22MAY97



9

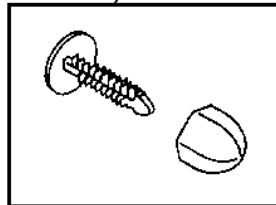
8



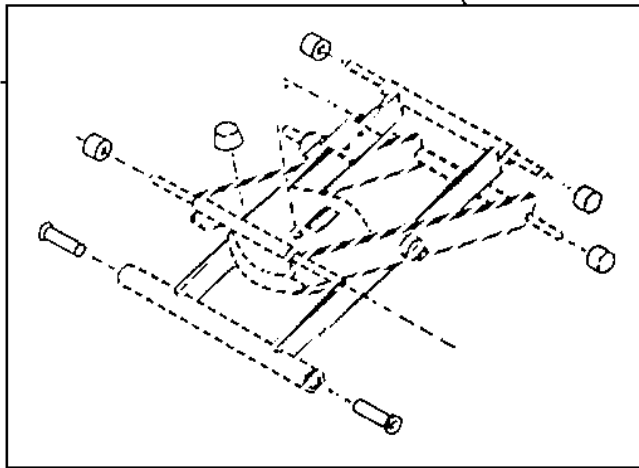
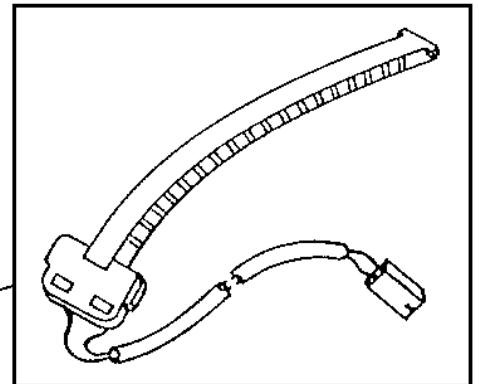
1

2

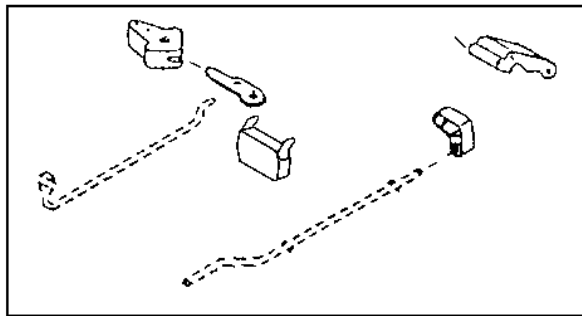
3



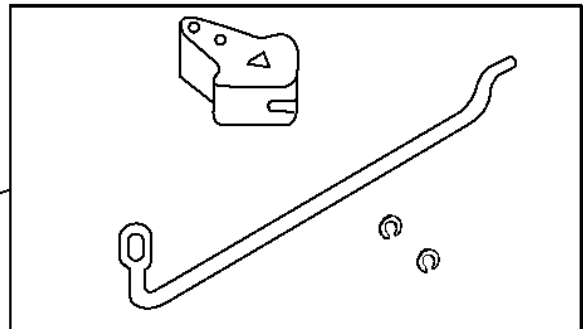
4



7



6



5

RE027978

9F21

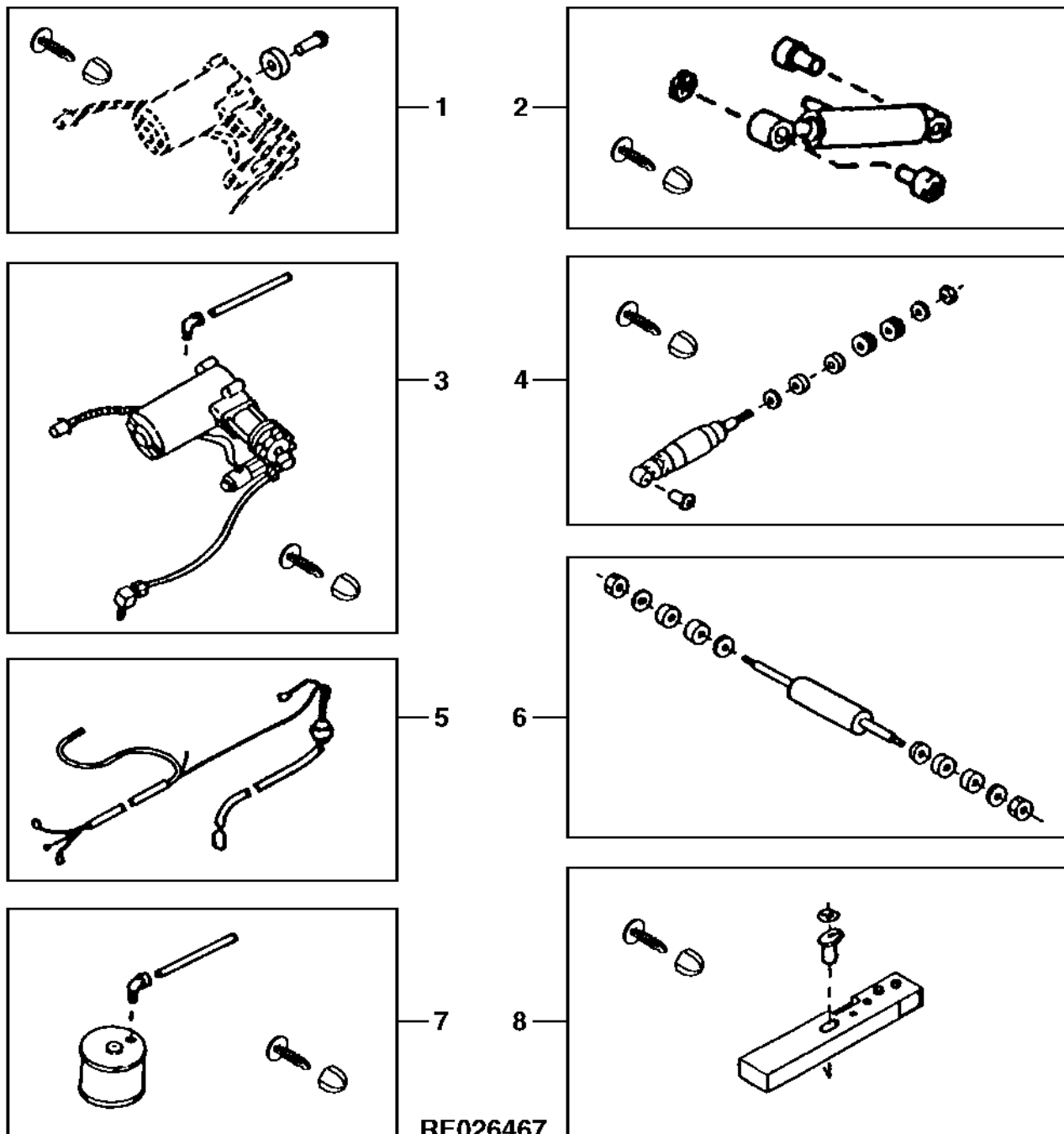
SEAT

KEY	PART NO.	PART NAME	QTY	CAB SERIAL NO.	A L L	REMARKS
1	RE52557	SEAT CONTROL LEVER KIT	1		X	
2	RE65696	SEAT ATTENUATOR SPRING KIT	1		X	(SUB FOR RE52558)
3	RE56116	SEAT KIT	1		X	
4	RE52561	OPR PRESENCE SWITCH KIT	1		X	
	RE43526	SWITCH	1		X	
5	RE70276	KIT	1		X	
6	RE52560	SEAT ADJUSTMENT CABLE KIT	1		X	
7	RE52559	SEAT KNOB KIT	1		X	
8	RE63832	SEAT BEARING ROLLER KIT	1		X	(SUB FOR RE58032)
9	RE52555	SEAT SUSPENSION BOOT KIT	1		X	

9F22

SEAT

AIR SEAT RIDE KITS
JEUX DE SIEGE PNEUMATIQUE
LUFTSITZ-BAUSAETZE
KIT DEL SEDILE PNEUMATICO
CONJUNTOS DE SUSPENSION NEUMATICA DEL ASIEN TO
DELAR FOER PNEUMATISK SITS
RE026467 -UN-10SEP95



9F23

SEAT

KEY	PART NO.	PART NAME	QTY	CAB SERIAL NO.	A	REMARKS
					L	
1	RE65693	COMPRESSOR FILTER KIT	1		X	(SUB FOR RE52548)
2	RE65695	SEAT SHOCK ABSORBER KIT	1		X	(A) (SUB FOR RE52552)
3	RE52549	COMPRESSOR VALVE KIT	1		X	
4	RE52553	SEAT SHOCK ABSORBER KIT	1		X	(B)
5	RE52550	WIRING HARNESS	1		X	
6	RE52554	SEAT SHOCK ABSORBER KIT	1		X	(C)
7	RE65694	AIR SPRING SEAT KIT	1		X	(SUB FOR RE52551)
8	RE60717	RIDE ZONE PROTECTOR KIT	1		X	(D)

(A)SEAT SUSPENSION
 SUSPENSION DE SIEGE
 SITZFEDERUNG
 SOSPENSIONE DEL SEDILE
 SUSPENSION DEL ASIEN TO
 SITSFJAEDRING

(B)FORE-AFT ATTENUATOR
 ATTENUATEUR
 LAENGSDAEMPFER
 COMPENSATORE
 ATENUADOR DE MOVIMIENTO
 DAEMPARE I

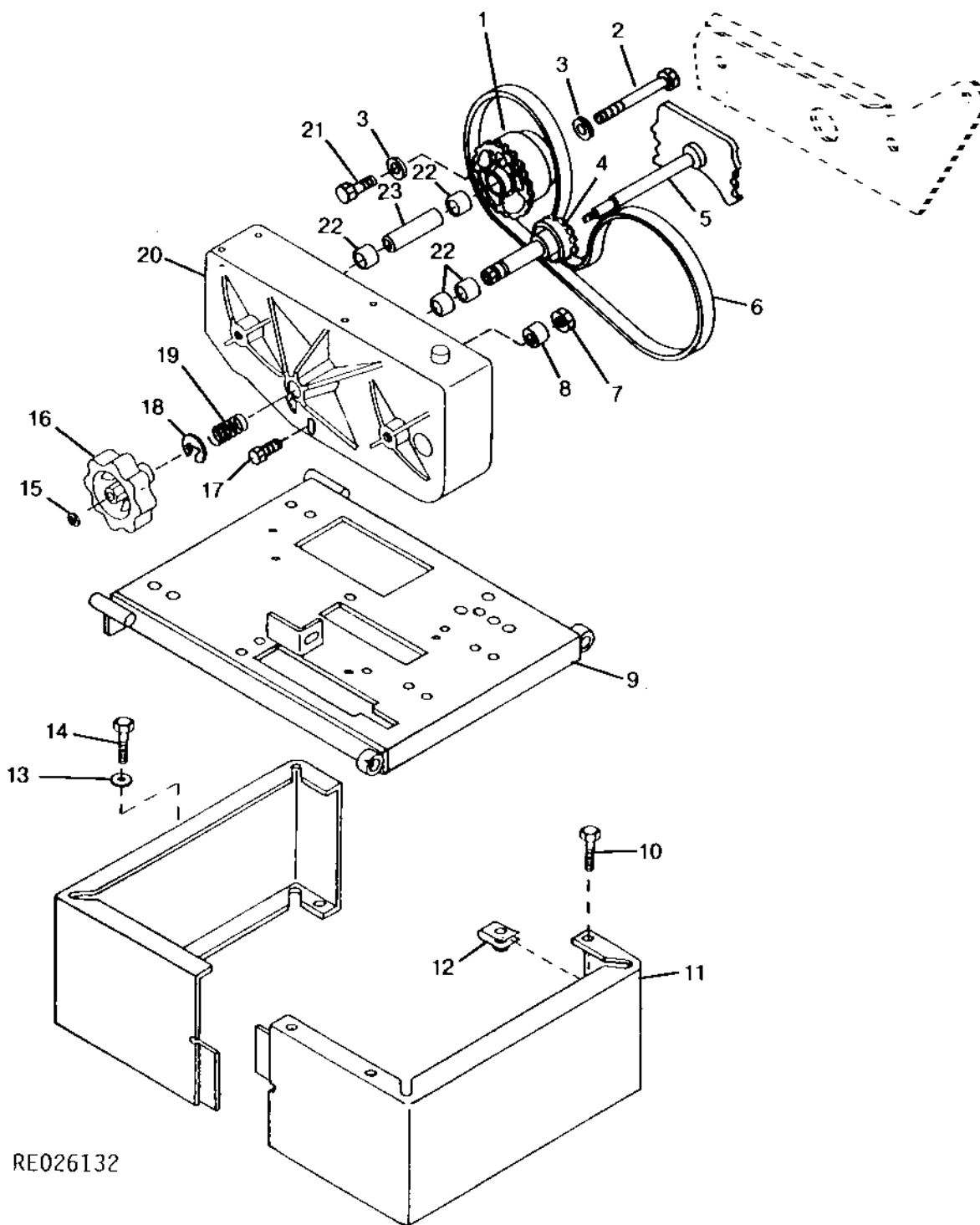
(C)LATERAL ATTENUATOR
 ATTENUATEUR LATERAL
 SEITENDAEMPFER
 COMPENSATORE LATERALE
 ATENUADOR DE MOVIMIENTO
 DAEMPARE I SIDLED

(D)RIDE ZONE PROTECTION KIT
 KIT DE LIMITEUR DE SUSPENSION
 SITZDAEMPfungSZONENSATZ
 KIT PROTEZIONE SOSPENSIONE SEDILE
 JUEGO DE PROTECCION DE ZONA DEL OPERADOR
 SATS MED FJAEDRINGSSKYDDSENHET

9F24

SEAT

SEAT SUPPORT
SUPPORT DE SIEGE
SITZSTUETZE
SUPPORTO DEL SEDILE
SOPORTE DEL ASIENTO
SITSSTOED
RE026132 -UN-23MAR95



RE026132

9F25

SEAT

KEY	PART NO.	PART NAME	QTY	TRACTOR SERIAL NO.	A L L	REMARKS
1	R124893	CAM	2	-XXXXXX	X	(C) (SUB R130989 AND (3) R130988)
	R130989	CAM	2	XXXXXX-	X	(D)
2	19M7875	CAP SCREW	2		X	M10 X 70
3	24M7028	WASHER	4		X	10.500 X 20 X 2 MM
4	RE61790	GEAR	1		X	(SUB RE62063 AND R137592)
	RE62063	DRIVER	1	-020868	X	(SUB R150659 AND R150660)
	R150659	DRIVER	1	020869-	X	
5	RE61789	PAWL	1		X	(SUB RE62064)
	RE62064	PAWL	1	-020868	X	(SUB R150659 AND R150660)
	R150660	PAWL	1	020869-	X	
6	R124898	BELT	1		X	
7	14M7416	FLANGE NUT	1	XXXXXX-	X	(B) M8
8	R128232	BUSHING	1	XXXXXX-	X	(B)
9	RE58025	HOUSING	1		X	UP
10	19M7166	CAP SCREW	4		X	M10 X 20
11	R124254	SUPPORT	2		X	UP
12	M84971	NUT	4		X	
13	24M7207	WASHER	10		X	
14	19M7932	CAP SCREW	10		X	M8 X 16
15	40M7088	SNAP RING	1		X	
16	R124897	KNOB	1	-XXXXXX	X	(SUB RE62063 AND R127592)
	R127592	KNOB	1	XXXXXX-XXXXXX	X	(C)
	R127224	KNOB	1	XXXXXX-	X	(D)
17	19M7799	SCREW	1		X	M8 X 45
18	R73094	SPRING	1		X	
19	F2863	RING	1		X	
20	R124896	HOUSING	1	-XXXXXX	X	(A) (SUB R128323)
	R128323	HOUSING	1	XXXXXX-XXXXXX	X	(B) (C) (SUB R130990 AND (2) R130988)
	R130990	HOUSING	1	XXXXXX-	X	(D)
21	21M7442	SCREW	2		X	M10 X 20
22	JD9960	ROLLER BEARING	10	-XXXXXX	X	(C)
	R130988	BUSHING	10	XXXXXX-	X	(D)
23	R124903	SHAFT	2		X	

(A) (-XXXXXX) 8100-001654; 8200-001573; 8300-002763; 8400-001331

(B) (XXXXXX-) 8100-001655; 8200-001574; 8300-002764; 8400-001332

(C) (-XXXXXX) 8100-011084; 8200-011048; 8300-011091; 8400-011110

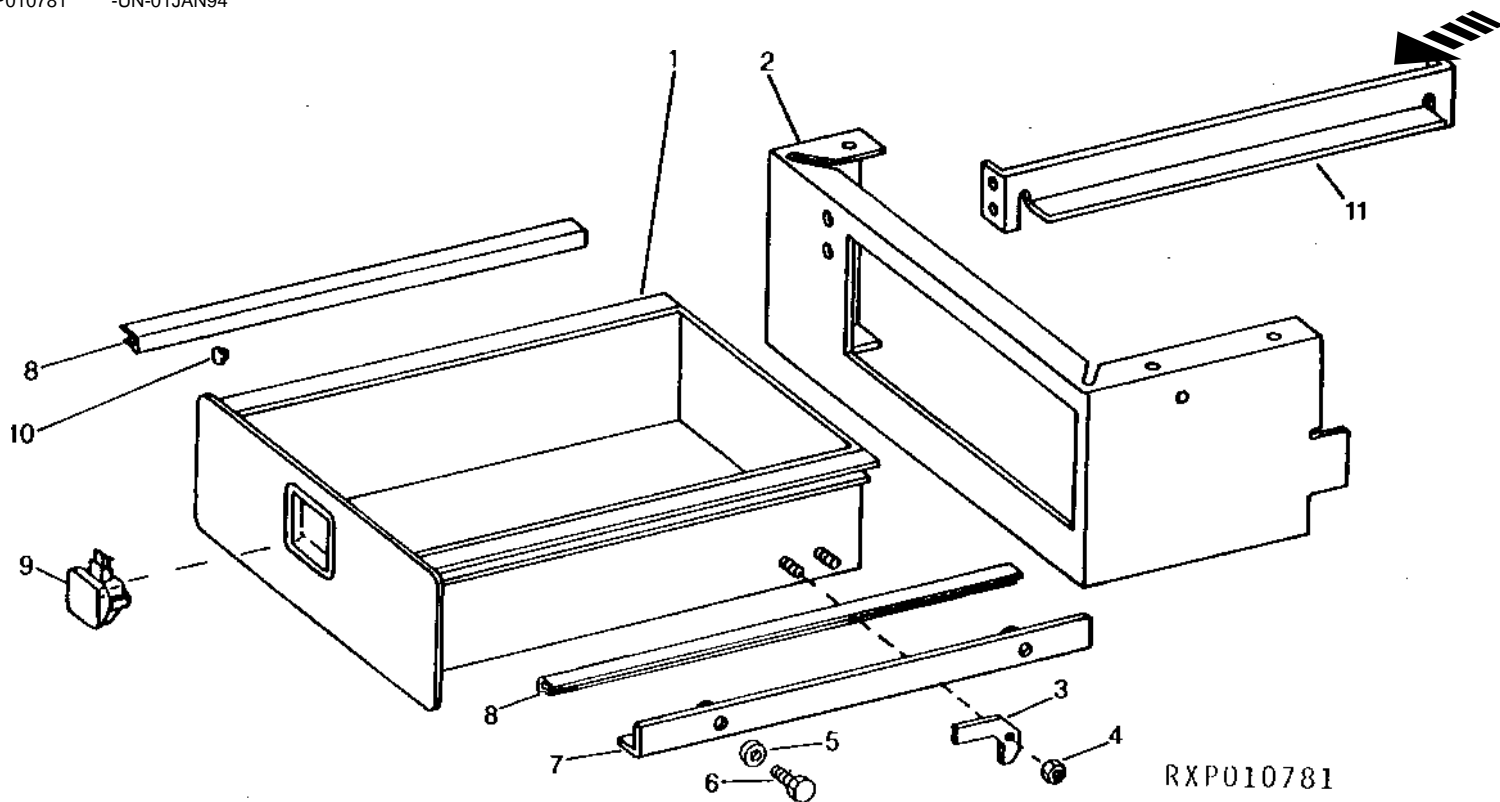
(D) (XXXXXX-) 8100-011085; 8200-011049; 8300-011092; 8400-011111

9G1

SEAT

DRAWER
TIROIR
SCHUBLADE
CASSETTO
CAJONCITO
LAADA

RXP010781 -UN-01JAN94



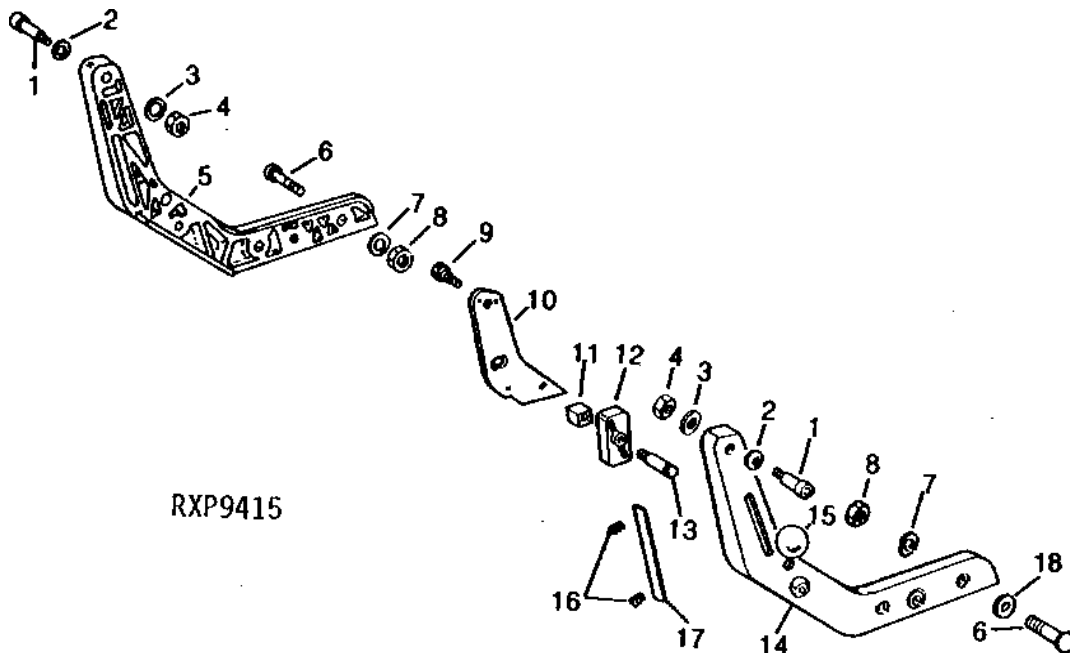
KEY	PART NO.	PART NAME	QTY	CAB SERIAL NO.	A		REMARKS
					L	L	
1	RE57818	DRAWER	1		X		
2	R124254	SUPPORT	1		X	(A)	
	R124184	SUPPORT	1		X		
3	R120352	STOP	1		X		
4	14M7165	LOCK NUT	2		X		M6
5	24M7238	WASHER	4		X		8.700 X 17 X 2 MM
6	19M7139	CAP SCREW	4		X		M8 X 20
7	RE57819	RAIL	1		X		L.H.
8	R121938	STRIP	2	-XXXXXX	X		(B)
	R130921	STRIP	2	XXXXXX-	X		(C)
9	RE53662	LATCH	1		X		
10	R120453	WASHER	4		X		
11	RE57820	RAIL	1		X		R.H.

(A)EUROPEAN VERSION
VERSION EUROPEENNE
EROPAEISCHE AUSFUEHRUNG
VERSIONE EUROPEA
VERSION EUROPEA
EUROPEISK VERSION

(B)(-XXXXXX) 8100-004454; 8200-003320; 8300-005547; 8400-006364

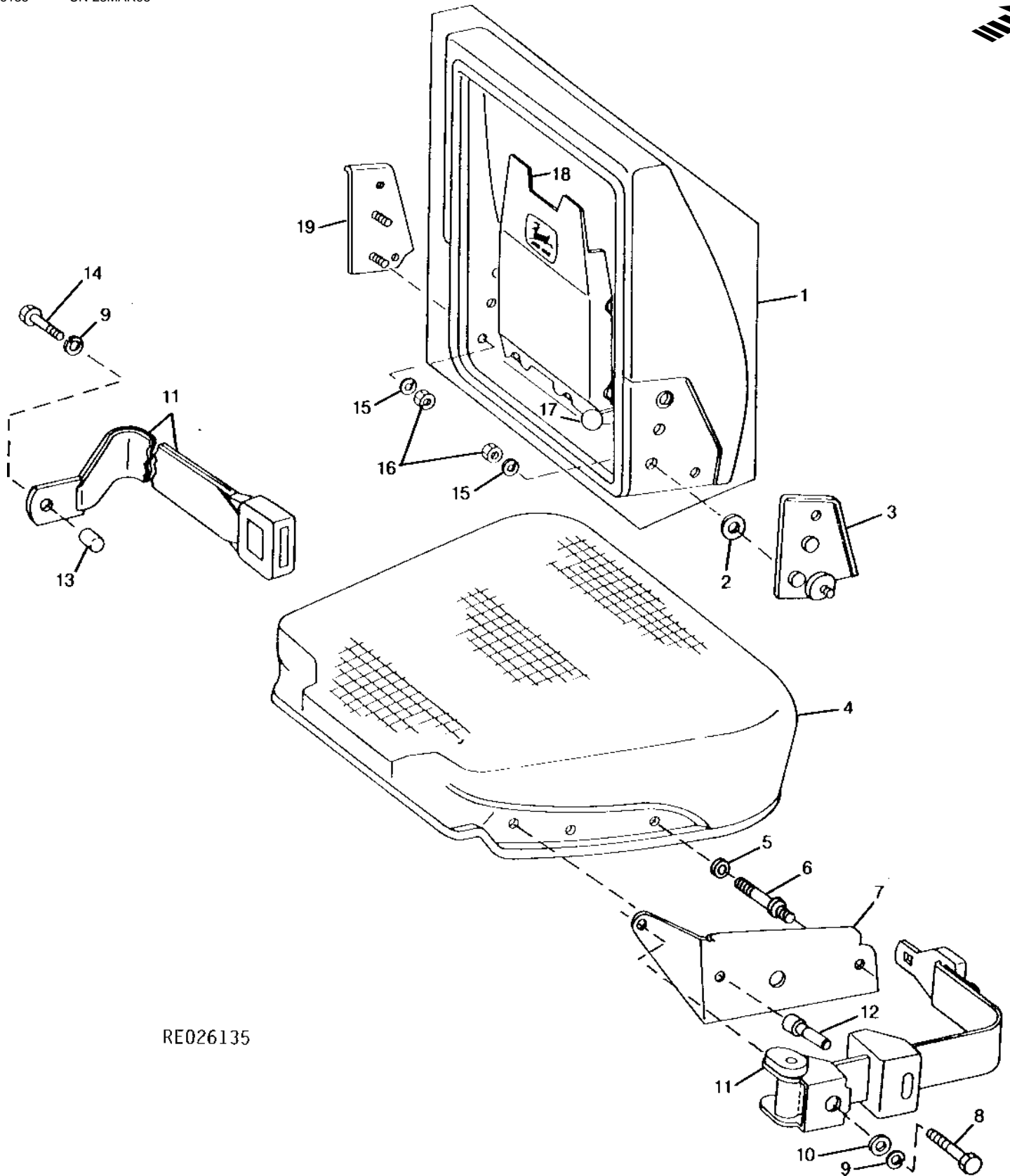
(C)(XXXXXX-) 8100-004455; 8200-003321; 8300-005548; 8400-006365

SEAT BACKREST SUPPORTS
APPUI DE DOSSIERS DE SIEGE
STUETZEN FUER RUECKENLEHNE
SUPPORTI LOMBARI PER SEDILE
APOYOS DEL RESPALDO DEL ASIENTO
FOERARSAETETS RYGGSTOEDSHAALLARE
 RXP9415 -UN-01JAN94



KEY	PART NO.	PART NAME	QTY	CAB SERIAL NO.	A	REMARKS
					L	
1	R59019	SCREW	2		X	
2	T519T	WASHER	2		X	
3	R53665	WASHER	2		X	
4	K40003	LOCK NUT	2		X	
5	R89143	SUPPORT	1		X	L.H.
6	T72350	BOLT	4		X	
7	R53665	WASHER	4		X	
8	14H1087	NUT	4		X	3/8"
9	37H47	SCREW	3		X	
10	R59011	PLATE	1		X	
11	R59018	BUSHING	1		X	
12	R105581	ADJUSTER	1		X	
13	R59012	WELD STUD	1		X	
14	R89142	SUPPORT	1		X	R.H.
15	R60458	KNOB	1		X	
16	R31890	SPRING	2		X	
17	R59009	REINFORCEMENT	1		X	
18	R53668	THRUST WASHER	2		X	

SEAT CUSHIONS AND SEAT BELT
 COUSSINS DE SIEGE ET CEINTURE DE SECURITE
 SITZPOLSTER UND SICHERHEITSGURT
 CUSCINO PER SEDILE E CINTURA DI SICUREZZA
 COJINES DE ASIENTO Y CINTURON DE SEGURIDAD
 SITTDYNA OCH BAELTE
 RE026135 -UN-23MAR95



RE026135

KEY	PART NO.	PART NAME	QTY	CAB SERIAL NO.	A L L	REMARKS
1	RE12049	CUSHION	1		X	
2	24H1305	WASHER	2		X	13/32" X 13/16" X 0.065"
3	AR71108	PLATE	1		X	R.H.
4	RE43446	CUSHION	1		X	
5	24H1308	WASHER	2		X	13/32" X 1" X 0.134"
6	R124900	SUPPORT	2	-XXXXXX	X	(B)
	R134352	SUPPORT	2	XXXXXX-	X	(C)
7	R125933	BRACKET	1	-XXXXXX	X	(B)
	R134605	BRACKET	1	XXXXXX-	X	(C) R.H.
8	R125899	SCREW	1		X	
9	R59897	LOCK WASHER	2		X	
10	28H3394	BUSHING	1		X	0.493" X 0.675" X 1/2"
11	RE19989	SEAT BELT	1		X	
12	R124902	SHAFT	2	-XXXXXX	X	(B)
	R134351	SUPPORT	2	XXXXXX-	X	(C)
13	R81560	CAP	1		X	
14	R59030	CAP SCREW	1		X	
15	R53668	THRUST WASHER	4		X	
16	14H812	NUT	4		X	3/8"
17	R52691	GRIP	1		X	SINGLE SCV, (SUB FOR R41387)
	R52690	GRIP	1		X	DUAL SCV, (SUB FOR R41387)
18	RE13541	KIT	1		X	(A)
19	AR71109	PLATE	1		X	L.H.

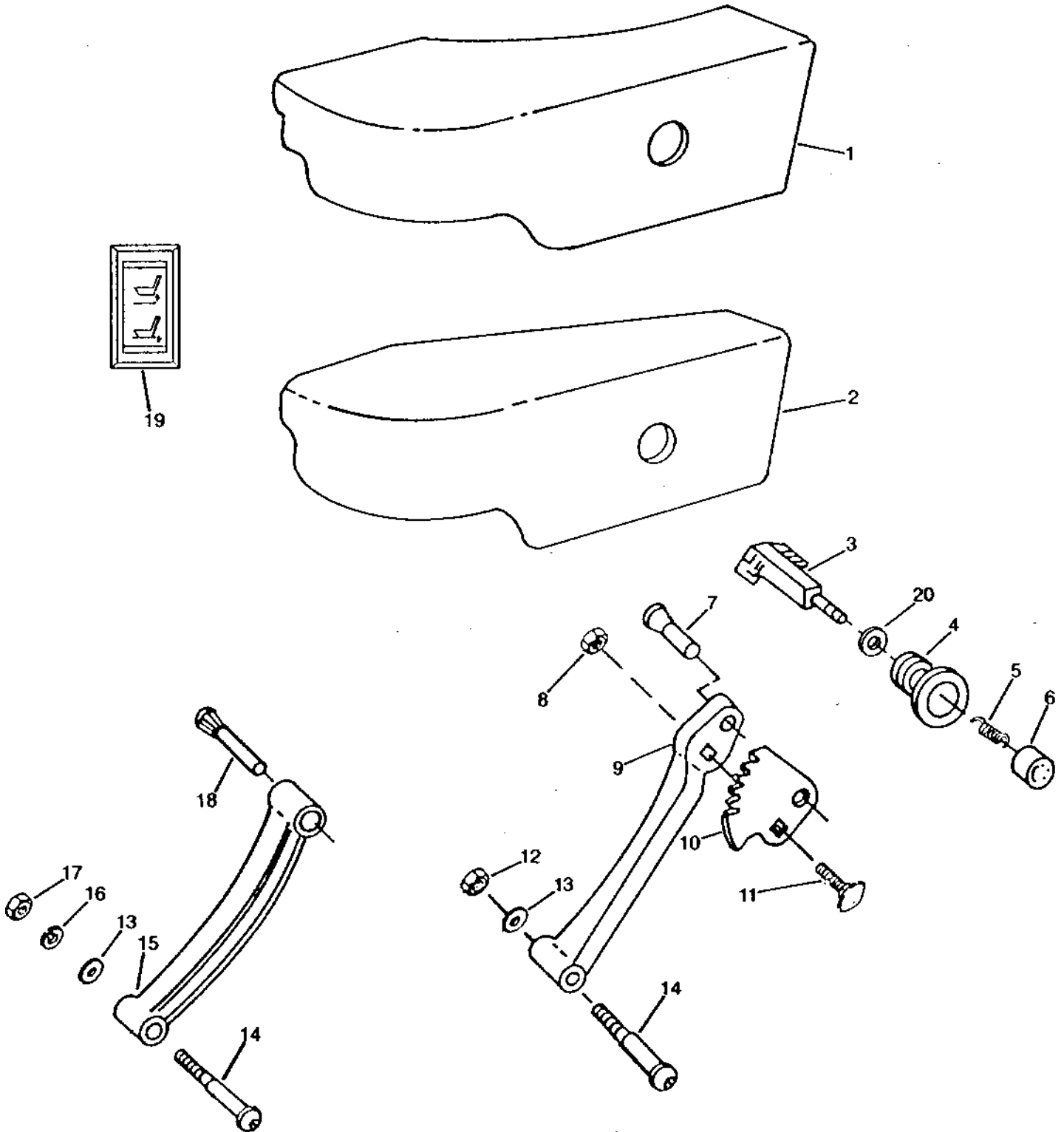
(A)OPERATOR'S MANUAL HOLDER
 SUPPORT DE LIVRET
 BETRIEBSANLEITUNGSHALTER
 SUPPORTO PER MANUALE
 PORTADOR DEL MANUAL DEL
 HAALLARE FOER

(B)(-XXXXXX) 8100-011944; 8200-011636; 8300-012100; 8400-012165
 (C)(XXXXXX-) 8100-011945; 8200-011637; 8300-012101; 8400-012166

9G5

SEAT

LEFT-HAND ARMREST
ACCOUDOIR GAUCHE
LINKE SINISTRA
BRAACCIOLO
REPOSABRAZOS DEL LADO
VAENSTER ARMSTOED
RXP010498 -UN-01JAN94



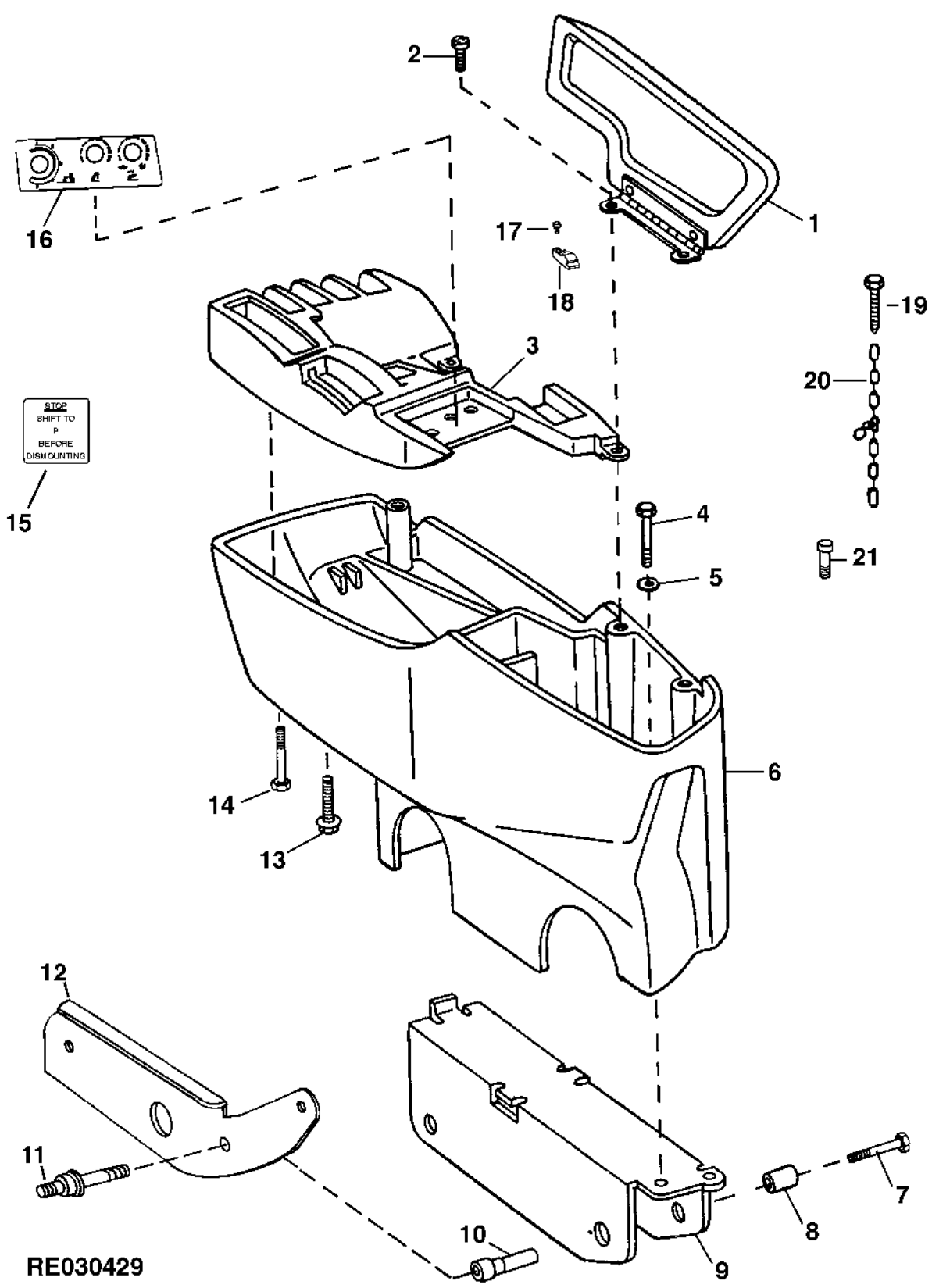
RXP010498

KEY	PART NO.	PART NAME	QTY	CAB SERIAL NO.	A L L	REMARKS
1	RE52564	ARMREST KIT	1		X	(A)
	RE52566	ARMREST KIT	1		X	(B)
2	R107823	ARMREST	1		X	
3	R59070	SHAFT KEY	1		X	
4	R59028	BUSHING	2		X	
	R59029	KNOB	1		X	
5	A4741R	SPRING	2		X	
6	R60458	KNOB	2		X	
7	R59021	PIN	1		X	
8	14H732	NUT	2		X	3/8"
9	R59020	LINK	2		X	
10	R61862	PLATE	2		X	
11	03H2275	BOLT	1		X	3/8" X 5/8"
12	K40003	LOCK NUT	2		X	
13	R27441	WASHER	4		X	
14	R59022	SCREW	2		X	
	19H1813	CAP SCREW	2		X	5/16" X 5/8"
15	R59013	LINK	2		X	
16	R53668	THRUST WASHER	2		X	
17	K40003	LOCK NUT	2		X	
18	R59023	PIN	2		X	
19	RE43451	ROCKER SWITCH	1		X	
20	R117675	WASHER	1		X	

(A)TILT-UP
 INCLINAISON VERS LE HAUT
 HICHKIPP
 RIBALTAMENTO
 INCLINAR HACIA ARRIBA
 TIPPBAR

(B)ADJUSTABLE
 REGLABLE
 EINSTELLBAR
 REGOLABILE
 ADJUSTABLE
 REGLERBAR

ARMREST CONTROL HOUSING
 ACCOUDOIR, LOGEMENT DES COMMANDES
 ARMLEHNE-STEUERUNGSGEHAUSE
 ALLOGGIAMENTO DI COMANDO DEL BRACCIOLO
 CAJA DE CONTROLES EN EL APOYABRAZOS
 ARMSTOED, REGLAGEKAAPA
 RE030429 -UN-16FEB99



RE030429

KEY	PART NO.	PART NAME	QTY	CAB SERIAL NO.	A L L	REMARKS
1	RE61346	CUSHION	1	-XXXXXX	X	(G) (SUB RE158037, 37M7181 AND 24M7117)
	RE158037	CUSHION	1	XXXXXX-	X	(H)
2	R126355	SCREW	2		X	
3	R124202	COVER	1	-XXXXXX	X	(A)
	R129794	COVER	1	XXXXXX-	X	(B) (SUB R153146) (ALSO ORDER M115279)
4	19M7407	CAP SCREW	4		X	M8 X 25
5	24M7055	WASHER	4		X	8.400 X 16 X 1.600 MM
6	R124155	HOUSING	1	-XXXXXX	X	(C)
	R126561	HOUSING	1	XXXXXX-	X	(D)
7	19M7550	CAP SCREW	2		X	M10 X 35
8	R117718	BUSHING	2		X	(SUB FOR R124908)
9	RE61740	BRACKET	1		X	(SUB R135942, (2) R117718 AND (2) 19M7382)
10	R124902	SHAFT	2	-XXXXXX	X	(E) (SUB RE150889)
	R134351	SUPPORT	2	XXXXXX-	X	(F)
11	R124900	SUPPORT	2	-XXXXXX	X	(E) (SUB RE150889)
	R134352	SUPPORT	2	XXXXXX-	X	(F)
12	R125933	BRACKET	1	-XXXXXX	X	(E) (SUB RE150889)
	R134605	BRACKET	1	XXXXXX-	X	(F)
13	R124859	SCREW	1		X	
14	R117569	SCREW	5		X	
15	R114802	LABEL	1		X	
16	R124530	LABEL	1		X	
17	R115850	SCREW	1		X	
18	R107562	COVER	1		X	
19	R126473	RIVET	1	-XXXXXX	X	(G)
	37M7181	SCREW	1	XXXXXX-	X	(H) (ALSO ORDER 24M7117)
20	AR27940	LINK CHAIN	1		X	
21	R124859	SCREW	1		X	

(A) (-XXXXXX) 8100-002954; 8200-002324; 8300-004071; 8400-002641

(B) (XXXXXX-) 8100-002955; 8200-002325; 8300-004072; 8400-002642

(C) (-XXXXXX) 8100-001766; 8200-001644; 8300-002881; 8400-001526

(D) (XXXXXX-) 8100-001767; 8200-001645; 8300-002882; 8400-001527

(E) (-XXXXXX) 8100-011944; 8200-011636; 8300-012100; 8400-012165

(F) (XXXXXX-) 8100-011945; 8200-011637; 8300-012101; 8400-012166

(G) (-XXXXXX) 8100-025624; 8200-025618; 8300-025612; 8400-025598

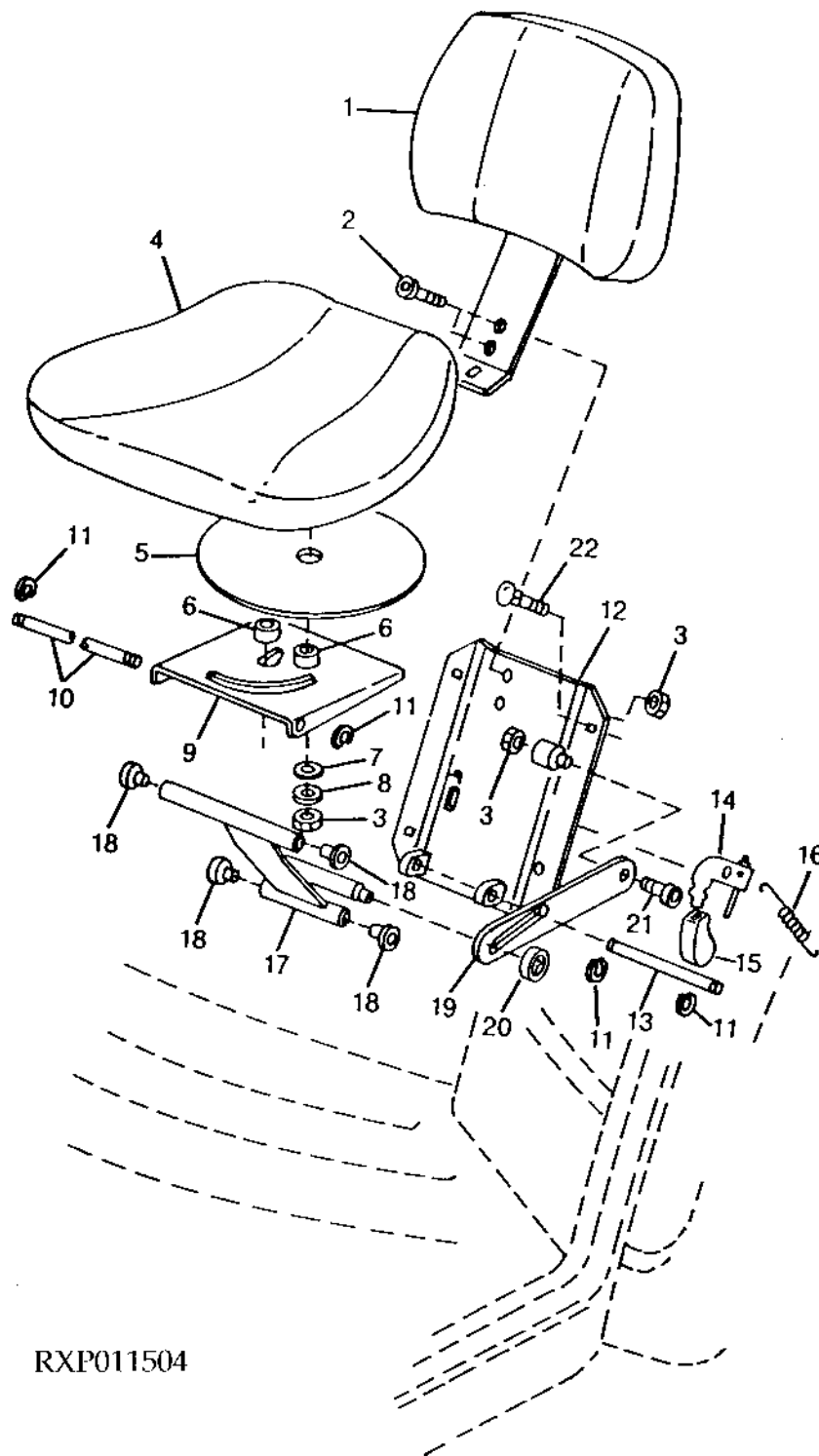
(H) (XXXXXX-) 8100-025625; 8200-025619; 8300-25613; 8400-025599

9G9

SEAT

PASSENGER SEAT (EUROPEAN VERSION)
SIEGE PASSAGER (VERSION EUROPEENNE)
MITFAHRERSITZ (EUROPAEISCHE AUSFUEHRUNG)
SEDILE PASSEGGERO (VERSIONE EUROPEA)
ASIENTO DEL PASAJERO (VERSION EUROPEA)
PASSAGERARSITS (EUROPEISK VERSION)

RXP011504 -UN-05JAN95



RXP011504

9G10

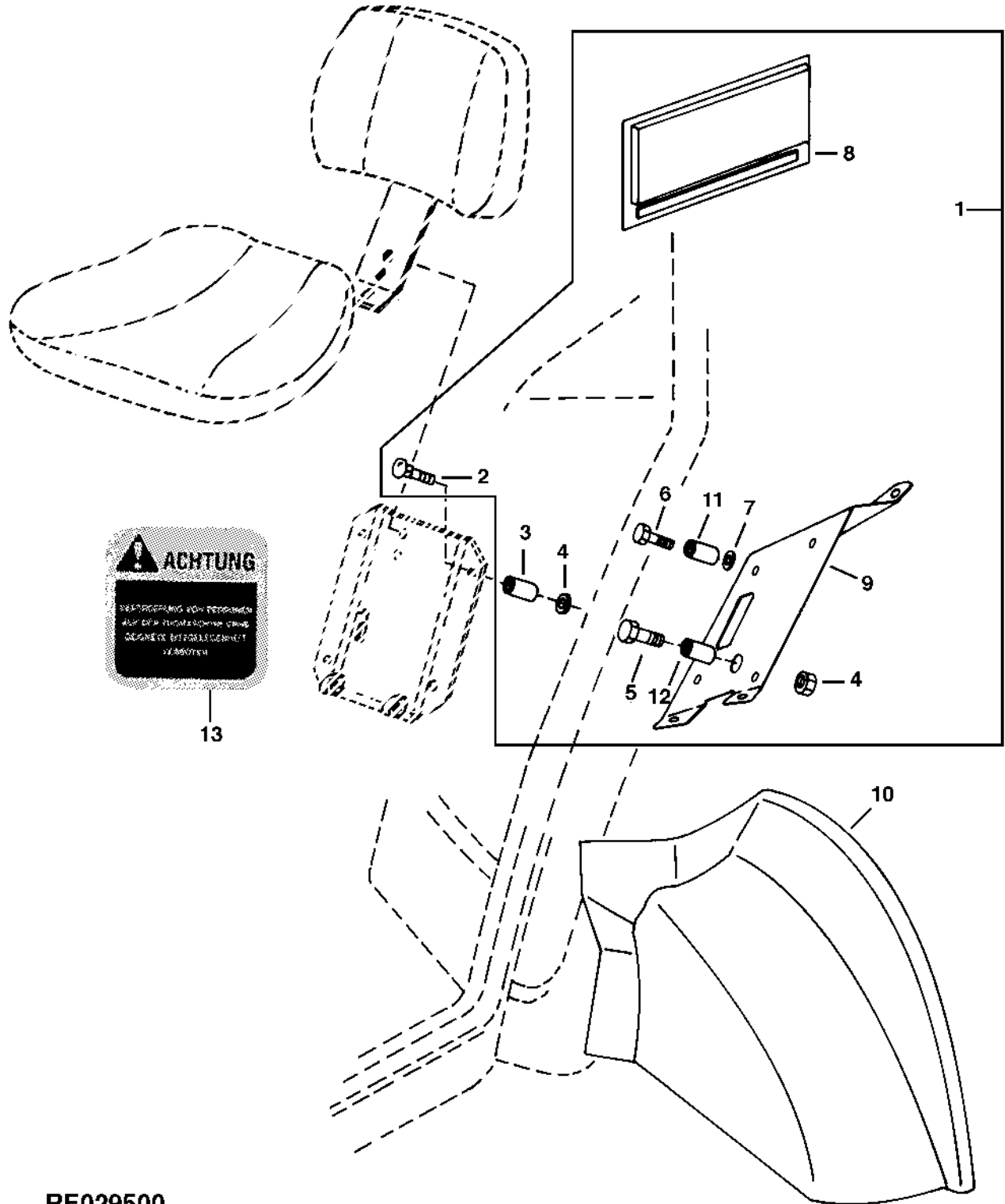
SEAT

KEY	PART NO.	PART NAME	QTY	CAB SERIAL NO.	A L L	REMARKS
1	AL75439	CUSHION	1		X	(SUB AL114945 OR AL114946)
2	19M7931	SCREW	2		X	M8 X 16
3	14M7426	LOCK NUT	5		X	M8
4	AL77699	CUSHION	1		X	(SUB AL114945 OR AL114946)
	AR112620	SEAT	1		X	
5	L79499	PLATE	1		X	
6	L79497	TUBE	2		X	
7	L79498	SHIM	2		X	
8	L79500	WASHER	2		X	
9	AL117531	ROTATOR	1		X	(SUB FOR L79496)
10	L79501	PIN	1		X	
11	40M7059	SNAP RING	4		X	
12	AL77683	BRACKET	1		X	
13	L79503	PIN	1		X	
14	AL78642	LEVER	1		X	
15	L56933	GRIP	1		X	
16	L75631	SPRING	1		X	
17	AL77684	SUPPORT	1		X	
18	L79502	BUSHING	4		X	
19	L79504	STRAP	1		X	
20	L57470	RETAINING WASHER	1		X	
21	19M8274	SCREW	1		X	M8 X 35
22	03M7191	BOLT	4		X	M10 X 25

9G11

SEAT

PASSENGER SEAT MOUNTING KIT (EUROPEAN VERSION)
SIEGE PASSAGER (VERSION EUROPEENNE)
MITFAHRERSITZ (EUROPAEISCHE AUSFUEHRUNG)
SEDILE PASSEGGERO (VERSIONE EUROPEA)
ASIENTO DEL PASAJERO (VERSION EUROPEA)
PASSAGERARSITS (EUROPEISK VERSION)
RE029500 -UN-28APR98



RE029500

9G12

SEAT

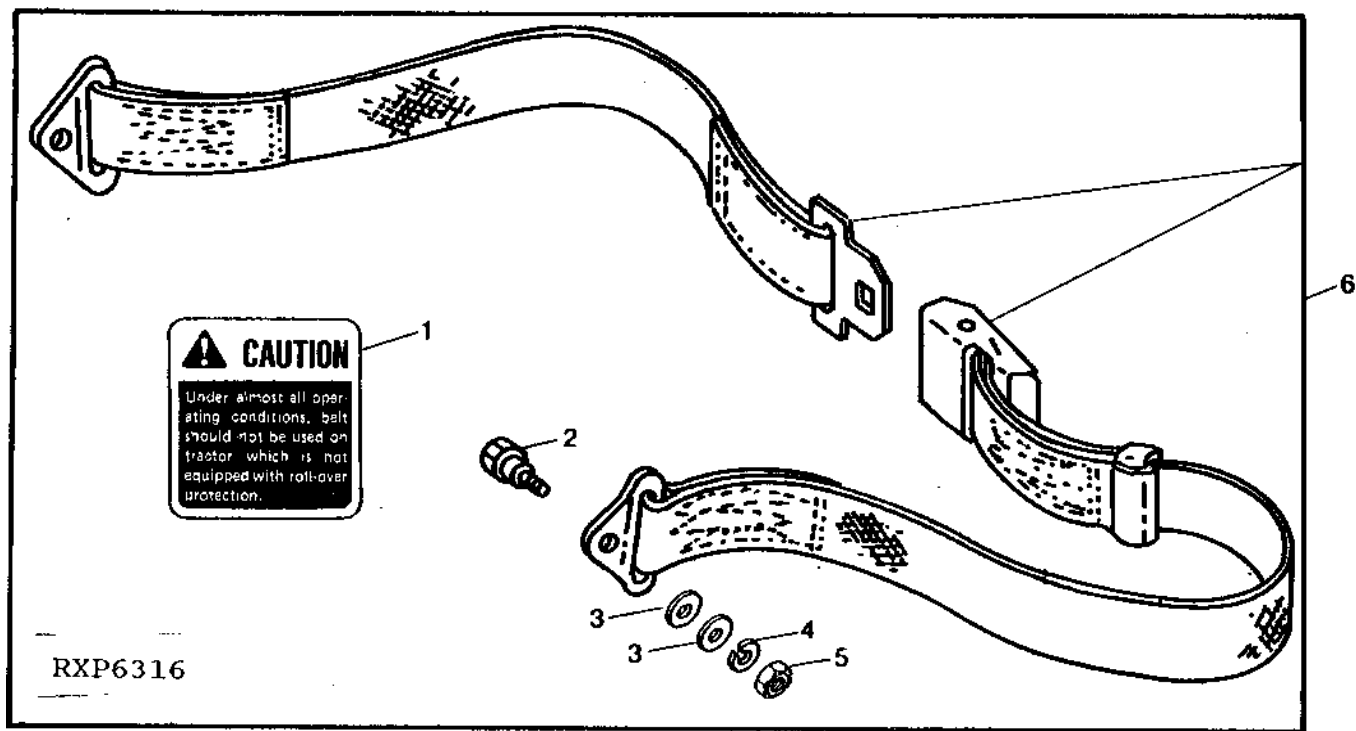
KEY	PART NO.	PART NAME	QTY	CAB SERIAL NO.	A L L	REMARKS
1	AR113039	SEAT KIT	1	-009999	X	(FI)
	AR116858	SEAT KIT	1	010000-	X	(FI)
2	03M7191	BOLT	4		X	M10 X 25
3	28H3383	BUSHING	2		X	0.493" X 0.675" X 3/4", (ALSO ORDER 28H1532)
4	14M7274	NUT	4		X	M10
5	19M7156	CAP SCREW	2		X	M10 X 60
6	37M7096	SCREW	1		X	M8 X 35, (SUB FOR 19M7179)
7	24M7136	WASHER	6		X	10.500 X 27 X 2 MM
8	R122000	PAD	1		X	L.H.
9	R127712	BRACKET	1	-009999	X	(SUB FOR R120728)
	R134250	BRACKET	1	010000-	X	
10	R127714	ACOUSTICAL UPHOLSTERY	1		X	(A) L.H. (SUB FOR R124333)
	R134401	ACOUSTICAL UPHOLSTERY	1		X	
11	28H3383	BUSHING	1		X	
12	28H1495	SPACER	1		X	
13	L79474	LABEL	1		X	

(A) W/FIELD OFFICE
 W/BUREAU MOBILE
 W/BORD BUERO
 W/URRICIO MOBILE
 W/OFICINA PORTATIL
 W/TRAKTORKONTOR

9G13

SEAT

SEAT BELT
 CEINTURE DE SECURITE
 SICHERHEITSGURT
 CINTURA DE SICUREZZA
 CINTURON DE SEGURIDAD
 SAEKERHETSBAELTE
 RXP6316 -UN-01JAN94



RXP6316

KEY	PART NO.	PART NAME	QTY	CAB SERIAL NO.	A	REMARKS
					L	
1	R81424	LABEL	1		X	
2	R41778	BOLT	2		X	
3	24H1226	WASHER	4		X	1/2" X 1-1/4" X 0.083"
4	12H293	LOCK WASHER	2		X	7/16"
5	14H807	NUT	2		X	7/16"
6	AR41761	SEAT BELT	1		X	(FI)

1J25

8100, 8200, 8300, 8400 TRACTORS

NUMERICAL INDEX

PART NO.	GRID	KEY	PAGE	PART NO.	GRID	KEY	PAGE	PART NO.	GRID	KEY	PAGE
AA21292	7F20	4	70-65	AH148711	7E15	1	70-35	AL114946	9G10	1	92-21
AA21292	7F22	4	70-67	AH148711	7E17	1	70-37	AL114946	9G10	4	92-21
AA23627	7G8	7	70-77	AH148711	7E18	1	70-38	AL116738	7H8	1	70-101B
AA23627	7G16	7	70-85	AH148711	7E19	1	70-39	AL117531	9G10	9	92-21
AA27536	3F20	3	40-52	AH148711	7E24	22	70-44	AL118000	7H8	18	70-101B
AC15595	8H16	18	90-13	AH148711	7E25	22	70-45	AL118001	7H8	16	70-101B
AD2062R	4D25	1	42-21	AH149420	7E14	1	70-34	AL118059	7H8	12	70-101B
AD2062R	4E2	18	42-23	AH149420	7E20	21	70-40	AL118060	7H8	13	70-101B
AE44632	3E24	14	40-29	AH149420	7E21	21	70-41	AL26777	8G4	4	80-51
AE44929	3F15	4	40-46	AH149422	7E14	1	70-34	AL26778	8G4	5	80-51
AE44976	3E24	17	40-29	AH149422	7E15	1	70-35	AL30794	8G6	10	80-53
AH104259	9D14	1	91-9	AH149422	7E16	1	70-36	AL32891	3E14	8	40-19
AH104259	9D16	4	91-11	AH149422	7E18	1	70-38	AL32891	3E16	8	40-21
AH107416	1I13	17	20-115	AH149422	7E22	19	70-42	AL32891	3F17	27	40-49
AH117301	3G16	18	40-72A	AH149422	7E23	19	70-43	AL32891	3F19	28	40-51
AH129236	6F3	1	60-47	AH149813	7E20	13	70-40	AL33161	3E14	36	40-19
AH134955	7E22	11	70-42	AH149813	7E21	7	70-41	AL33161	3E16	37	40-21
AH134955	7E23	11	70-43	AH149813	7E22	13	70-42	AL33161	3E25	2	40-30
AH135155	2G9	5	30-73	AH149813	7E23	7	70-43	AL33161	8G6	1	80-53
AH135787	3G12	5	40-69	AH149844	7E24	11	70-44	AL35642	9E21	4	91-40
AH136453	7E22	2	70-42	AH149844	7E25	11	70-45	AL35990	7H4	14	70-99
AH136453	7E23	2	70-43	AH149964	6E1	5	60-21A	AL35991	7H4	17	70-99
AH137687	7E24	11	70-44	AH149964	6E2	7	60-21B	AL36529	3E10	23	40-15
AH137764	7E20	16	70-40	AH158827	6D22	14	60-17B	AL36529	3E12	23	40-17
AH137764	7E21	16	70-41	AH15939	7I20	..	70-139	AL36529	3E14	26	40-19
AH137764	7E22	16	70-42	AH160036	6D22	2	60-17B	AL36529	3E14	27	40-19
AH137764	7E23	16	70-43	AH162914	2G9	5	30-73	AL36529	3E16	26	40-21
AH141063	7E15	1	70-35	AH163057	6E1	5	60-21A	AL36529	3E16	27	40-21
AH141063	7E17	1	70-37	AH163057	6E2	7	60-21B	AL36529	3E18	23	40-23
AH141063	7E18	1	70-38	AH163058	6D23	7	60-18	AL36529	3F17	9	40-49
AH141063	7E19	1	70-39	AH163058	6D25	5	60-21	AL36529	3F17	10	40-49
AH141063	7E24	22	70-44	AH78237	8H12	6	90-9	AL36529	3F19	9	40-51
AH142569	7E24	18	70-44	AH83821	7I20	13	70-139	AL36529	3F19	10	40-51
AH142569	7E25	18	70-45	AH83821	7I22	1	70-141	AL38684	7F14	2	70-59
AH142570	7E24	16	70-44	AH87142	2G7	6	30-71	AL39108	9E21	6	91-40
AH142570	7E25	16	70-45	AH89023	4F18	6	51-21	AL39859	6G14	13	60-77
AH144020	3E10	8	40-15	AH89023	4G12	1	51-41	AL41725	8G4	10	80-51
AH144020	3E12	8	40-17	AH89023	4H20	6	51-73	AL56092	3E2	29	40-9
AH144020	3E14	9	40-19	AH89023	4I16	1	51-93	AL56092	3E4	29	40-9B
AH144020	3E16	9	40-21	AH89486	2D19	5	30-11	AL56092	3E8	29	40-13
AH144020	3E18	8	40-23	AH89557	1E17	12	20-23	AL56092	4D16	6	42-12
AH144020	8H20	7	90-17	AH93625	3F12	1	40-43	AL61032	7G24	6	70-95
AH144349	7E20	18	70-40	AH94661	4F21	1	51-24	AL61032	7H2	6	70-97
AH144349	7E21	18	70-41	AH94661	4H23	1	51-76	AL61062	7H4	8	70-99
AH144350	7E22	18	70-42	AL110724	9F5	28	91-49	AL61072	7G24	22	70-95
AH144350	7E23	18	70-43	AL110725	9F5	28	91-49	AL61072	7H2	22	70-97
AH144351	7E14	1	70-34	AL111719	6H13	8	60-101	AL63927	6G16	7	60-79
AH144351	7E20	21	70-40	AL111802	3F5	9	40-35	AL67648	6G18	8	60-81
AH144352	7E14	1	70-34	AL111802	6H13	20	60-101	AL68571	6H15	18	60-103
AH144352	7E15	1	70-35	AL112011	4D6	4	42-2	AL68571	6H17	18	60-105
AH144352	7E16	1	70-36	AL112012	3E14	16	40-19	AL68572	6H15	12	60-103
AH144352	7E18	1	70-38	AL112012	4D6	10	42-2	AL68572	6H17	12	60-105
AH144352	7E22	19	70-42	AL112474	4D6	2	42-2	AL68573	6H15	11	60-103
AH146050	6D23	7	60-18	AL112538	6H13	9	60-101	AL68573	6H17	11	60-105
AH146050	6D25	5	60-21	AL112964	3E14	14	40-19	AL68577	6H15	8	60-103
AH146052	6D25	7	60-21	AL112964	3E14	16	40-19	AL68577	6H17	8	60-105
AH146052	6E1	7	60-21A	AL112964	4D6	8	42-2	AL68589	6H11	9	60-99
AH146443	6D25	4	60-21	AL112964	4D6	10	42-2	AL68589	6H13	26	60-101
AH146443	6E1	4	60-21A	AL113022	3E14	14	40-19	AL75405	4D6	4	42-2
AH146460	7E21	3	70-41	AL113022	4D6	8	42-2	AL75439	9G10	1	92-21
AH146556	7E21	6	70-41	AL113174	9F3	3	91-47A	AL75527	9E23	8	91-43
AH146556	7E23	6	70-43	AL113174	9F9	27	91-53	AL75638	9F7	30	91-51
AH146557	7E25	6	70-45	AL113954	6H19	1	60-107	AL75642	3E14	45	40-19
AH146560	7E23	3	70-43	AL113954	6H21	1	60-107B	AL75642	3E16	46	40-21
AH146561	7E25	3	70-45	AL114275	9E21	6	91-40	AL75642	4D14	12	42-10
AH148164	7E24	13	70-44	AL114945	9G10	1	92-21	AL75721	6D20	2	60-16
AH148164	7E25	7	70-45	AL114945	9G10	4	92-21	AL75785	7F16	1	70-61

NUMERICAL INDEX - CONTINUED

PART NO.	GRID	KEY	PAGE	PART NO.	GRID	KEY	PAGE	PART NO.	GRID	KEY	PAGE
AL76568	3F17	7	40-49	AL82106	7H6	18	70-101	AR116475	3H19	11	40-99
AL76568	3F17	13	40-49	AL82107	7H6	2	70-101	AR116476	3H19	11	40-99
AL76568	3F19	7	40-51	AL82107	7H8	2	70-101B	AR116485	7I6	1	70-125
AL76568	3F19	13	40-51	AL83131	9F7	30	91-51	AR116514	9D22	24	91-17
AL76686	3E20	3	40-25	AM30347	8E18	16	80-11	AR116858	9G12	1	92-23
AL76686	3E20	7	40-25	AM38104	2G7	20	30-71	AR116863	9D22	23	91-17
AL76686	9E23	2	91-43	AN212996	7G18	6	70-89	AR116902	2E17	..	30-31B
AL76943	7F14	12	70-59	AR100124	1D19	1	20-6	AR150551	6F8	3	60-51B
AL77138	3E14	16	40-19	AR100124	1F12	1	20-42	AR152577	3G17	4	40-73
AL77138	4D6	10	42-2	AR100124	1G24	1	20-78	AR21837	6H23	23	60-109
AL77683	9G10	12	92-21	AR101212	2E17	4	30-31B	AR21837	6H25	23	60-111
AL77684	9G10	17	92-21	AR101212	2F18	4	30-55	AR21837	8H14	9	90-11
AL77699	9G10	4	92-21	AR103220	2G7	11	30-71	AR21837	8H14	10	90-11
AL77711	9E21	2	91-40	AR103807	1F1	2	20-32	AR21837	8H14	12	90-11
AL77794	9F5	25	91-49	AR103807	1F1	3	20-32	AR21837	8H14	13	90-11
AL78021	9E16	10	91-35	AR103807	1F1	5	20-32	AR21839	2D19	9	30-11
AL78021	9E18	5	91-37	AR103808	7J11	7	70-154	AR21841	3H15	6	40-95
AL78062	9F5	28	91-49	AR103873	4F2	4	51-5	AR21969	1D15	..	20-2
AL78063	9F5	28	91-49	AR103873	4F4	7	51-7	AR27806	8E18	1	80-11
AL78137	4D6	2	42-2	AR103873	4H4	4	51-57	AR27940	9G8	20	92-19
AL78487	7H4	23	70-99	AR103873	4H6	7	51-59	AR28755	7J9	3	70-152
AL78489	7H4	15	70-99	AR104516	3H19	7	40-99	AR31790	1D19	..	20-6
AL78490	7H4	16	70-99	AR104516	3H22	1	40-103	AR31790	1F12	..	20-42
AL78491	7H4	19	70-99	AR109313	8F1	8	80-21	AR31790	1G24	..	20-78
AL78499	7H4	22	70-99	AR112601	9E21	1	91-40	AR41761	9G13	6	92-24
AL78581	6F14	6	60-57	AR112611	4D8	11	42-4	AR41785	1D16	..	20-3
AL78581	6F16	6	60-59	AR112613	7I20	24	70-139	AR44402	1D15	1	20-2
AL78607	7H4	1	70-99	AR112618	2E15	13	30-31	AR48015	3G23	4	40-79
AL78608	7H4	2	70-99	AR112620	9G10	4	92-21	AR48236	1I11	3	20-113
AL78609	7H4	3	70-99	AR112621	9E23	1	91-43	AR48236	2G7	1	30-71
AL78642	9G10	14	92-21	AR112622	3H19	11	40-99	AR48236	8H20	31	90-17
AL78708	7H10	15	70-103	AR112623	3H19	11	40-99	AR48675	1F5	7	20-37
AL78708	7H16	1	70-109	AR112626	3H11	16	40-91	AR48675	1F6	6	20-37A
AL78795	6G14	9	60-77	AR112841	9E16	17	91-35	AR48675	1G19	7	20-73
AL78795	6G16	1	60-79	AR113039	9G12	1	92-23	AR48675	1I7	7	20-109
AL78820	7H4	4	70-99	AR113048	3F17	26	40-49	AR49025	1E6	1	20-13D
AL78941	6G18	3	60-81	AR113519	7G2	1	70-71	AR49025	1E17	1	20-23
AL78989	3E14	10	40-19	AR113536	4D10	13	42-6	AR49025	1G8	1	20-60
AL78989	3E16	10	40-21	AR113538	9E11	1	91-30	AR49025	1H20	1	20-98
AL78989	3F17	30	40-49	AR113759	6G14	46	60-77	AR50374	7F24	19	70-69
AL78989	3F19	31	40-51	AR113795	3I2	2	40-107	AR50377	7F24	24	70-69
AL78989	3H3	1	40-83	AR113819	3G17	4	40-73	AR50411	1E25	1	20-31
AL79013	3E2	9	40-9	AR114034	3E24	18	40-29	AR54749	1D15	4	20-2
AL79013	3E8	9	40-13	AR114034	7I6	1	70-125	AR55394	1G14	16	20-66
AL79013	9E21	12	91-40	AR114068	7E14	3	70-34	AR55394	1I4	16	20-107
AL80049	7H12	24	70-105	AR114069	7E16	3	70-36	AR56766	3F2	1	40-32
AL80049	7H14	10	70-107	AR114073	3H5	18	40-85	AR56766	3F3	1	40-33
AL80061	7H18	16	70-111	AR114073	3H9	13	40-89	AR56766	3F17	40	40-49
AL80062	7H18	1	70-111	AR114074	3H5	18	40-85	AR56766	3F19	41	40-51
AL80747	7G24	1	70-95	AR114074	3H9	13	40-89	AR56766	9D14	3	91-9
AL81736	7H4	4	70-99	AR114555	3H11	16	40-91	AR56766	9D22	10	91-17
AL81736	7H6	1	70-101	AR114564	3H20	3	40-100	AR58952	1G14	15	20-66
AL81937	6G20	7	60-83	AR114631	8D5	1	71-3	AR58952	1G21	36	20-75
AL81937	6G22	7	60-85	AR114633	8D5	1	71-3	AR58952	1I4	15	20-107
AL82092	7H6	10	70-101	AR114664	7I24	5	70-143	AR58952	1I9	36	20-111
AL82092	7H8	10	70-101B	AR115121	7I6	1	70-125	AR60937	3E10	16	40-15
AL82095	7H6	3	70-101	AR115337	4D11	16	42-7	AR60937	3E12	16	40-17
AL82095	7H8	3	70-101B	AR115340	4D8	11	42-4	AR60937	3E14	20	40-19
AL82096	7H6	12	70-101	AR115340	4D9	11	42-5	AR60937	3E16	20	40-21
AL82098	7H6	22	70-101	AR115540	3H7	18	40-87	AR60937	3E18	16	40-23
AL82100	7H6	13	70-101	AR115540	3H9	13	40-89	AR60937	3F17	39	40-49
AL82101	7H6	4	70-101	AR115541	3H7	18	40-87	AR60937	3F19	40	40-51
AL82101	7H8	4	70-101B	AR115541	3H9	13	40-89	AR60937	9D14	2	91-9
AL82102	7H6	6	70-101	AR116387	8F1	6	80-21	AR61533	1D24	13	20-11
AL82102	7H8	6	70-101B	AR116388	8F1	8	80-21	AR61533	1F18	17	20-47
AL82103	7H6	14	70-101	AR116389	8F1	8	80-21	AR61533	1H5	17	20-83
AL82103	7H8	14	70-101B	AR116390	8F1	8	80-21	AR61589	1D24	15	20-11

NUMERICAL INDEX - CONTINUED

PART NO.	GRID	KEY	PAGE	PART NO.	GRID	KEY	PAGE	PART NO.	GRID	KEY	PAGE
AR61589	1F18	19	20-47	AR89543	5E8	1	53-31	AT25226	8E22	18	80-17
AR61589	1H5	19	20-83	AR90577	7G18	5	70-89	AT25226	8E24	15	80-19
AR62150	7G8	7	70-77	AR90578	7G18	5	70-89	AT25226	8E25	7	80-20
AR62150	7G16	7	70-85	AR90579	7G18	6	70-89	AT56660	8F10	6	80-31
AR62151	7F11	4	70-56	AR90581	7G18	6	70-89	AT56660	8F20	4	80-41
AR62151	7F18	1	70-63	AR90583	7G18	6	70-89	AT66865	1D15	4	20-2
AR62151	7F24	3	70-69	AR93341	1E14	6	20-20	AT68973	3E2	6	40-9
AR62399	1E25	7	20-31	AR93820	7J9	8	70-152	AT68973	3E8	7	40-13
AR62492	1E25	8	20-31	AR94516	4F23	11	51-27	AT68973	3F9	1	40-40
AR62936	7E5	21	70-23	AR94516	4F23	23	51-27	AT78534	3I6	7	40-111
AR63218	1D14	1	20-1	AR94516	4F25	35	51-29	AT85197	7J10	3	70-153
AR63219	1D14	1	20-1	AR94516	4G2	16	51-31	AZ47788	9E20	6	91-39
AR63222	1D14	1	20-1	AR94516	4G2	28	51-31	AZ47908	9E20	2	91-39
AR63979	1D14	1	20-1	AR94516	4G12	17	51-41	A15147	8D13	2	71-11
AR68801	8F16	6	80-37	AR94516	5D6	7	53-3	A15899	7J2	23	70-145
AR68801	8F17	5	80-38	AR94516	5D8	7	53-5	A31867	9F7	33	91-51
AR69444	7D9	1	70-1	AR94522	7H14	1	70-107	A3190R	7H23	3	70-117
AR69445	7D9	1	70-1	AR94522	7I20	..	70-139	A3190R	7H25	2	70-119
AR69988	7G22	5	70-93	AR94522	7J2	24	70-145	A3190R	7I10	23	70-129
AR71108	9G4	3	92-15	AR94522	7J9	10	70-152	A364R	6D9	19	60-5
AR71109	9G4	19	92-15	AR94522	8D19	1	71-17	A3815R	6D9	20	60-5
AR72055	9F18	6	92-3	AR94761	5F2	8	54-15	A4365R	1D24	14	20-11
AR73277	1E14	7	20-20	AR94761	5F4	10	54-17	A4365R	1F18	18	20-47
AR73278	1E14	7	20-20	AR94761	5F6	2	54-17B	A4365R	1H5	18	20-83
AR73279	1E6	1	20-13D	AR94761	5F25	4	54-37	A4365R	6E20	29	60-39
AR73279	1E14	7	20-20	AR98201	7J9	2	70-152	A4365R	6E22	10	60-41
AR73280	1E14	7	20-20	AR98202	7J9	1	70-152	A4365R	6E25	3	60-44
AR73281	1E14	7	20-20	AR98479	7F24	42	70-69	A4365R	6F24	15	60-67
AR73500	7J10	1	70-153	AR98850	1E14	9	20-20	A4365R	6G3	15	60-69B
AR74814	1E15	3	20-21	AR98850	1G6	9	20-58	A4365R	6G5	15	60-69D
AR74815	1E15	3	20-21	AR98850	1H17	9	20-95	A4540R	5E16	5	54-3
AR74816	1E6	1	20-13D	AT107509	1D18	11	20-5	A4540R	5F13	5	54-25
AR74816	1E15	3	20-21	AT107509	1F11	11	20-41	A4741R	9G6	5	92-17
AR74817	1E15	3	20-21	AT107509	1G23	11	20-77	A4827R	3F21	8	40-53
AR74818	1E15	3	20-21	AT107509	4G12	23	51-41	A4883R	8E22	4	80-17
AR75693	6F8	3	60-51B	AT107509	4H22	..	51-75	A5067R	4F16	14	51-19
AR75695	3E10	13	40-15	AT107509	4I16	23	51-93	A5067R	4H18	14	51-71
AR75695	3E12	13	40-17	AT107509	5D16	12	53-13	A5067R	9D12	5	91-7
AR75695	3E18	13	40-23	AT116162	3H9	8	40-89	A5518R	6D20	3	60-16
AR75695	3F12	3	40-43	AT116162	6D13	6	60-9	A5598R	7F6	8	70-51
AR77747	1E15	1	20-21	AT125596	8H10	18	90-7	A602R	7F8	16	70-53
AR77748	1E15	2	20-21	AT127547	9D12	2	91-7	A776R	7F24	8	70-69
AR77749	1E15	2	20-21	AT128774	7E13	1	70-33	BP13811	8D15	61	71-13
AR77750	1E6	1	20-13D	AT130104	4D8	1	42-4	B2762R	6F22	8	60-65
AR77750	1E15	2	20-21	AT130104	4D10	1	42-6	B2762R	6G3	21	60-69B
AR77751	1E15	2	20-21	AT130104	4D12	3	42-8	B2762R	6G5	6	60-69D
AR77752	1E15	2	20-21	AT130104	4D12	15	42-8	B2982R	6F22	16	60-65
AR77753	1E6	1	20-13D	AT130104	4D20	3	42-16	B30434	8E16	8	80-9
AR77753	1E15	1	20-21	AT130104	4D22	1	42-18	B30667	4D25	13	42-21
AR78289	7F24	41	70-69	AT13740	1D24	1	20-11	B3690R	6D7	8	60-3
AR85519	2E23	21	30-37	AT13740	1F3	13	20-35	B3690R	6E14	5	60-33
AR85519	2F8	19	30-47	AT13740	1F18	4	20-47	B3690R	7D23	35	70-15
AR85519	2F20	21	30-57	AT13740	1G18	13	20-71	B3690R	7E7	1	70-25
AR86406	8G1	16	80-48	AT13740	1H5	4	20-83	CC40740	8G16	1	80-63
AR86745	2E21	11	30-35	AT13740	1I6	13	20-108A	CE15294	4D16	9	42-12
AR86745	2F6	7	30-45	AT13740	1I15	11	20-117	CE15294	4D17	2	42-13
AR86745	2G3	13	30-67	AT13740	1I17	11	20-119	CH12638	4D25	1	42-21
AR86745	2G5	7	30-69	AT139776	1I15	14	20-117	CH12639	4D25	1	42-21
AR86745	2G10	4	30-74	AT139776	1I17	14	20-119	CH12713	4D25	1	42-21
AR87079	1F1	1	20-32	AT140957	3G22	5	40-78	CH14887	1I20	10	20-123
AR87079	3I4	3	40-109	AT162848	8H10	18	90-7	CH14887	1I24	10	20-127
AR88903	1F9	19	20-39A	AT18904	2G7	30	30-71	CH17453	4G12	22	51-41
AR88903	2E25	19	30-39	AT18904	8H14	10	90-11	CH17453	5E16	1	54-3
AR88903	2F12	19	30-49B	AT22070	8G2	1	80-49	CH17453	5E16	2	54-3
AR88903	2F22	19	30-59	AT22073	8G2	10	80-49	CH17453	5E16	21	54-3
AR89302	7F24	4	70-69	AT25226	8E18	16	80-11	CH17453	5F13	1	54-25
AR89303	7F24	1	70-69	AT25226	8E20	2	80-15	C14618	7J9	10	70-152

NUMERICAL INDEX - CONTINUED

PART NO.	GRID	KEY	PAGE	PART NO.	GRID	KEY	PAGE	PART NO.	GRID	KEY	PAGE
C16054	3H15	6	40-95	F3353R	4G14	18	51-43	H132899	9E10	11	91-29
C16054	5F11	3	54-22	F3353R	4I2	5	51-79	H134624	6D13	1	60-9
C19243	5D6	9	53-3	F3353R	4I4	45	51-81	H135156	6E4	9	60-23
C19243	5D8	9	53-5	F3353R	4I18	18	51-95	H135156	6E4	10	60-23
DS0251	1D15	..	20-2	F3396R	7F18	6	70-63	H135156	6E4	11	60-23
DS0557	1D15	..	20-2	F3396R	7F20	16	70-65	H135156	6E4	24	60-23
DT2127W	8E18	13	80-11	F3396R	7F22	16	70-67	H135156	6E4	25	60-23
D2361	4F4	3	51-7	F534R	7F20	10	70-65	H135156	6E6	9	60-25
D2361	4F6	15	51-9	F534R	7F22	10	70-67	H135156	6E8	9	60-27
D2361	4F8	25	51-11	H100795	7G6	2	70-75	H136110	4E2	11	42-23
D2361	4F12	9	51-15	H100795	7G14	2	70-83	H138955	8G11	2	80-58
D2361	4H6	3	51-59	H108291	4G22	4	51-51	H141510	6E6	10	60-25
D2361	4H8	15	51-61	H108291	6F6	12	60-51	H141510	6E6	11	60-25
D2361	4H14	9	51-67	H109046	7E5	9	70-23	H141510	6E6	32	60-25
D2361R	4F10	19	51-13	H111706	3F23	10	40-55	H141510	6E6	34	60-25
D2361R	4F18	24	51-21	H111706	3F23	14	40-55	H141510	6E8	35	60-27
D2361R	4H10	25	51-63	H112162	6F6	32	60-51	H143834	2G9	..	30-73
D2361R	4H12	19	51-65	H112162	6I2	5	60-113	H145175	7E24	19	70-44
D2361R	4H20	24	51-73	H112567	6E6	10	60-25	H145175	7E25	19	70-45
ET14521	1E9	7	20-15	H112567	6E6	11	60-25	H145176	7E20	19	70-40
ET14521	1F23	7	20-52	H112567	6E6	32	60-25	H145176	7E21	19	70-41
ET14521	1H12	7	20-90	H112567	6E6	34	60-25	H145176	7E22	17	70-42
ET15766	3F4	2	40-34	H112567	6E8	11	60-27	H145176	7E23	17	70-43
E11077	8D13	42	71-11	H112567	6G8	12	60-71	H145456	7E24	2	70-44
E1343FN	1E6	1	20-13D	H112567	6G10	12	60-73	H145456	7E25	2	70-45
E1343FN	1E14	1	20-20	H112567	7E5	13	70-23	H150411	6D22	10	60-17B
E1343FN	1G6	1	20-58	H112567	8H10	10	90-7	H151629	6D22	3	60-17B
E1343FN	1H17	1	20-95	H112567	8H14	18	90-11	H151674	6D25	6	60-21
E48764	1I11	29	20-113	H113196	3I14	7	41-4	H151674	6E1	6	60-21A
E55662	1F9	16	20-39A	H113196	3I15	9	41-4A	H152104	6D25	2	60-21
E55662	2E25	16	30-39	H113196	3I16	5	41-5	H152104	6E1	2	60-21A
E55662	3I14	4	41-4	H113196	3I19	2	41-8	H152202	7E21	4	70-41
E55662	3I15	4	41-4A	H114865	6G8	11	60-71	H152202	7E23	4	70-43
E55662	3I16	3	41-5	H114865	6G10	11	60-73	H152203	7E25	4	70-45
E55662	3I21	1	41-11	H114865	8H10	9	90-7	H152347	7E20	13	70-40
E57351	8F25	12	80-46	H114865	8H14	17	90-11	H152347	7E21	13	70-41
E57351	8G1	12	80-48	H115379	7E5	14	70-23	H152793	7E21	5	70-41
E69392	7H21	1	70-115	H115521	8H16	16	90-13	H152793	7E23	5	70-43
F1451R	6F22	4	60-65	H115533	7F2	20	70-47	H152794	7E25	5	70-45
F1743R	1D24	8	20-11	H115533	7F4	20	70-49	H153659	6D22	4	60-17B
F1743R	1F18	11	20-47	H117239	3H17	12	40-97	H153834	6D22	1	60-17B
F1743R	1H5	11	20-83	H120362	8H14	22	90-11	H153834	6D25	3	60-21
F1870R	7D25	35	70-17	H120847	8D17	12	71-15	H153834	6E1	3	60-21A
F2206R	7F24	31	70-69	H120847	8H14	14	90-11	H157642	7E22	13	70-42
F2208R	7F24	28	70-69	H121163	6F6	28	60-51	H157642	7E23	13	70-43
F2380R	5D18	18	53-15	H121163	7E5	16	70-23	H157978	7E24	13	70-44
F2380R	5D20	19	53-17	H121168	4G22	6	51-51	H157978	7E25	13	70-45
F2380R	5D22	19	53-19	H121168	6E4	8	60-23	H158942	6D22	6	60-17B
F2573R	7H23	26	70-117	H121168	6E4	10	60-23	H161618	4E2	10	42-23
F2573R	7H25	8	70-119	H121168	6E4	11	60-23	H164359	6D22	8	60-17B
F2573R	7I10	35	70-129	H121168	6E4	24	60-23	H164360	6D22	11	60-17B
F2573R	7I12	5	70-131	H121168	6E4	25	60-23	H168109	6D22	5	60-17B
F2863	9F25	19	92-11	H121168	6E6	8	60-25	H169509	6D22	12	60-17B
F304R	7G22	3	70-93	H121168	6E8	8	60-27	H23941	6H23	2	60-109
F3171	5D10	4	53-7	H121168	6F6	13	60-51	H23941	6H25	2	60-111
F3171	5D10	5	53-7	H121168	6G8	20	60-71	H23941	6H25	26	60-111
F3171R	1E9	10	20-15	H121168	7E5	10	70-23	H25220	9F2	12	91-47
F3171R	1F23	10	20-52	H121168	8D17	13	71-15	H25220	9F7	19	91-51
F3171R	1H12	10	20-90	H121168	8H14	15	90-11	H33795	6H23	4	60-109
F3171R	4G10	29	51-39	H123995	3G10	2	40-67	H33795	6H23	21	60-109
F3171R	4I14	29	51-91	H123995	3H17	3	40-97	H33795	6H25	4	60-111
F3171R	5D14	4	53-11	H123995	3H18	6	40-98	H33795	6H25	21	60-111
F3171R	5D18	25	53-15	H125156	6G8	20	60-71	H36256	5E24	10	54-13
F3171R	5D20	26	53-17	H128515	6F6	29	60-51	H61354	7D13	5	70-5
F3171R	5D22	26	53-19	H128515	7E5	17	70-23	H61354	7D25	9	70-17
F3353R	4F23	5	51-27	H132795	3H17	13	40-97	H63262	4G10	17	51-39
F3353R	4F25	45	51-29	H132899	3G19	7	40-75	H63262	4I14	17	51-91

NUMERICAL INDEX - CONTINUED

PART NO.	GRID	KEY	PAGE	PART NO.	GRID	KEY	PAGE	PART NO.	GRID	KEY	PAGE
H75541	4G22	9	51 - 51	JD7798	7E16	2	70 - 36	JD9127	5D22	9	53 - 19
H75541	8H12	7	90 - 9	JD7798	7E17	2	70 - 37	JD9132	5D6	20	53 - 3
H79910	1D24	20	20 - 11	JD7798	7E18	2	70 - 38	JD9132	5D8	20	53 - 5
H80128	6D11	9	60 - 7	JD7798	7E19	2	70 - 39	JD9279	5E16	1	54 - 3
H85092	8H20	6	90 - 17	JD7798	7F2	13	70 - 47	JD9346	5F25	15	54 - 37
H86981	4G10	21	51 - 39	JD7798	7F4	13	70 - 49	JD9833	4F2	5	51 - 5
IPSKIT1	1D15	..	20 - 2	JD7798	7F8	2	70 - 53	JD9833	4H4	5	51 - 57
JD10116	4G10	10	51 - 39	JD7798	7F18	12	70 - 63	JD9960	9F25	22	92 - 11
JD10116	4I14	10	51 - 91	JD7798	7F20	6	70 - 65	J19366	4F16	13	51 - 19
JD10134	5D20	4	53 - 17	JD7798	7F22	6	70 - 67	J19366	4H18	13	51 - 71
JD10134	5D22	4	53 - 19	JD7798	8E10	6	80 - 3	J19366	9D12	6	91 - 7
JD10135	5D20	5	53 - 17	JD7798	8E12	6	80 - 5	J4216H	4E24	11	51 - 3
JD10135	5D22	5	53 - 19	JD7798	8E14	9	80 - 7	J4216H	4H2	11	51 - 55
JD10181	4E24	12	51 - 3	JD7799	7F6	11	70 - 51	K40002	8F25	6	80 - 46
JD10181	4H2	12	51 - 55	JD7799	8E14	8	80 - 7	K40002	8G1	15	80 - 48
JD10190	8E18	8	80 - 11	JD8100	5E4	28	53 - 27	K40003	8E16	11	80 - 9
JD10226	5E16	8	54 - 3	JD8118	7D15	34	70 - 7	K40003	8F9	8	80 - 30
JD10226	5E17	3	54 - 4	JD8131	8E18	3	80 - 11	K40003	9G2	4	92 - 13
JD10226	5F13	8	54 - 25	JD8147	7D11	2	70 - 3	K40003	9G6	12	92 - 17
JD10226	5F19	10	54 - 31	JD8177	5D6	24	53 - 3	K40003	9G6	17	92 - 17
JD10227	5E16	9	54 - 3	JD8177	5D8	24	53 - 5	K40014	8D15	10	71 - 13
JD10227	5E17	3	54 - 4	JD8191	5D16	28	53 - 13	K40014	8D17	9	71 - 15
JD10227	5F13	9	54 - 25	JD8213	5D6	23	53 - 3	L100300	7H18	2	70 - 111
JD10227	5F19	9	54 - 31	JD8213	5D8	23	53 - 5	L100303	7H12	2	70 - 105
JD10353	5E16	8	54 - 3	JD8214	5D16	27	53 - 13	L100304	7H12	16	70 - 105
JD10354	5E16	9	54 - 3	JD8239	7D15	35	70 - 7	L100309	7H18	6	70 - 111
JD10527	5E4	25	53 - 27	JD8247	5E4	24	53 - 27	L100436	6D7	10	60 - 3
JD5400	8G5	2	80 - 52	JD8248	5D18	8	53 - 15	L100496	4F4	18	51 - 7
JD5801	1I20	12	20 - 123	JD8252	5F19	15	54 - 31	L100496	4H6	18	51 - 59
JD5801	1I24	12	20 - 127	JD8252	5F21	6	54 - 33	L101222	7H12	20	70 - 105
JD5801	5E24	18	54 - 13	JD8253	7D15	31	70 - 7	L101966	7H6	5	70 - 101
JD5920	4E2	16	42 - 23	JD8255	5D12	4	53 - 9	L102023	9E6	1	91 - 25
JD5921	4E2	14	42 - 23	JD8535	4E24	3	51 - 3	L102193	7J6	13	70 - 149
JD5922	4E2	15	42 - 23	JD8535	4H2	3	51 - 55	L102193	7J8	13	70 - 151
JD5927	8G5	2	80 - 52	JD8535	6F3	2	60 - 47	L102195	7J6	31	70 - 149
JD5929	8G5	2	80 - 52	JD8537	5E16	3	54 - 3	L102195	7J8	31	70 - 151
JD7242	5G2	1	54 - 39	JD8537	5F13	3	54 - 25	L102196	7J6	15	70 - 149
JD7242	5G2	15	54 - 39	JD8568	4G10	13	51 - 39	L102196	7J8	15	70 - 151
JD7242	5G4	1	54 - 41	JD8568	4I14	13	51 - 91	L102198	7J6	16	70 - 149
JD7242	5G4	15	54 - 41	JD8870	5D6	4	53 - 3	L102198	7J8	16	70 - 151
JD7266	8E18	7	80 - 11	JD8870	5D8	4	53 - 5	L102199	7J6	27	70 - 149
JD7292	5E4	11	53 - 27	JD8905	7D15	36	70 - 7	L102199	7J8	27	70 - 151
JD7292	5E21	18	54 - 9	JD8930	5F25	8	54 - 37	L102453	6G16	11	60 - 79
JD7292	5F19	4	54 - 31	JD8935	7D15	32	70 - 7	L111038	8G4	9	80 - 51
JD7292	5F19	11	54 - 31	JD8941	5D12	5	53 - 9	L111419	9F5	35	91 - 49
JD7292	5F21	2	54 - 33	JD9018	5D18	9	53 - 15	L111699	7H2	3	70 - 97
JD7297	5E2	4	53 - 25	JD9043	5E16	16	54 - 3	L113561	4D10	10	42 - 6
JD7297	5E6	6	53 - 29	JD9043	5F13	16	54 - 25	L113561	4D10	12	42 - 6
JD7370	5E2	5	53 - 25	JD9043	7D11	3	70 - 3	L113561	4D11	13	42 - 7
JD7370	5E6	5	53 - 29	JD9049	7D11	4	70 - 3	L113561	4D11	15	42 - 7
JD7378	5E4	2	53 - 27	JD9050	5F10	18	54 - 21	L113583	6H11	2	60 - 99
JD7386	5E21	19	54 - 9	JD9050	5F23	13	54 - 35	L113583	6H13	1	60 - 101
JD7424	5E4	29	53 - 27	JD9050	5F23	19	54 - 35	L113583	8G11	6	80 - 58
JD7425	5E21	3	54 - 9	JD9069	5D16	7	53 - 13	L113907	9F3	4	91 - 47A
JD7425	7D11	1	70 - 3	JD9069	5D20	10	53 - 17	L113907	9F9	28	91 - 53
JD7439	8E18	4	80 - 11	JD9069	5D22	10	53 - 19	L113908	9F3	2	91 - 47A
JD7449	7D15	33	70 - 7	JD9075	5D6	14	53 - 3	L113908	9F9	29	91 - 53
JD7759	5F25	2	54 - 37	JD9075	5D8	14	53 - 5	L115419	7H8	22	70 - 101B
JD7781	5F2	5	54 - 15	JD9109	5E16	15	54 - 3	L115420	7H8	5	70 - 101B
JD7781	5F4	5	54 - 17	JD9109	5F13	15	54 - 25	L12491	8F16	2	80 - 37
JD7781	7F6	9	70 - 51	JD9109	7D11	5	70 - 3	L12807	4D16	14	42 - 12
JD7797	8D13	11	71 - 11	JD9114	7D11	6	70 - 3	L12807	4D17	5	42 - 13
JD7797	8D15	33	71 - 13	JD9115	5F10	17	54 - 21	L1610N	4G12	8	51 - 41
JD7797	8D15	47	71 - 13	JD9115	5F23	14	54 - 35	L1610N	4I16	8	51 - 93
JD7797	8E16	4	80 - 9	JD9115	5F23	18	54 - 35	L2646N	2G7	28	30 - 71
JD7798	7E14	2	70 - 34	JD9127	5D16	8	53 - 13	L30706	6G16	2	60 - 79
JD7798	7E15	2	70 - 35	JD9127	5D20	9	53 - 17	L32997	7F14	13	70 - 59

NUMERICAL INDEX - CONTINUED

PART NO.	GRID	KEY	PAGE	PART NO.	GRID	KEY	PAGE	PART NO.	GRID	KEY	PAGE
L33035	5E4	5	53-27	L63816	6H13	25	60-101	L79499	9G10	5	92-21
L33629	8G4	9	80-51	L63825	7H18	3	70-111	L79500	9G10	8	92-21
L35036	7F14	4	70-59	L63826	7H18	4	70-111	L79501	9G10	10	92-21
L35850	8G16	11	80-63	L64173	6H13	9	60-101	L79502	9G10	18	92-21
L37975	4D9	7	42-5	L64185	6H11	1	60-99	L79503	9G10	13	92-21
L37975	4D13	6	42-9	L64413	6H13	9	60-101	L79504	9G10	19	92-21
L37975	4D21	4	42-17	L64456	5E4	32	53-27	L79568	4D10	12	42-6
L37975	4D21	7	42-17	L64991	8G16	1	80-63	L79568	4D11	15	42-7
L38296	7H4	21	70-99	L65000	3H5	6	40-85	L79601	8G16	3	80-63
L38296	7H6	11	70-101	L65000	3H7	6	40-87	L79672	7H10	13	70-103
L38296	7H8	11	70-101B	L65000	3H9	12	40-89	L79672	7H16	2	70-109
L38416	4D16	12	42-12	L65000	8G11	5	80-58	L79690	4D6	3	42-2
L38449	8F16	5	80-37	L65043	6H11	2	60-99	L79776	9E16	12	91-35
L38450	8F16	3	80-37	L65043	6H13	1	60-101	L79777	9E16	11	91-35
L38451	8F16	4	80-37	L65043	8G11	6	80-58	L79778	9E16	13	91-35
L38797	9E18	17	91-37	L65070	8G16	6	80-63	L79784	9E18	2	91-37
L38797	9E20	17	91-39	L65071	3G19	11	40-75	L79784	9E18	16	91-37
L39134	8H21	5	90-18	L65071	8G16	7	80-63	L79784	9E20	21	91-39
L39134	9D16	8	91-11	L75379	9E4	4	91-23	L80013	9E21	11	91-40
L39134	9D16	17	91-11	L75631	9G10	16	92-21	L80014	9E21	8	91-40
L39871	8G6	10	80-53	L75768	9F5	33	91-49	L80015	9E21	7	91-40
L39978	7F16	9	70-61	L75841	7E8	1	70-28	L80052	7H10	4	70-103
L40799	6F22	2	60-65	L75859	8E14	3	80-7	L80052	7H16	9	70-109
L40811	7F14	3	70-59	L76189	9F3	6	91-47A	L80302	3G24	1	40-80
L40829	7F14	16	70-59	L76189	9F9	28	91-53	L80302	8G12	7	80-59
L41079	6H13	9	60-101	L76190	9F3	1	91-47A	L80465	7H10	11	70-103
L41880	7F15	4	70-60	L76190	9F9	29	91-53	L80465	7H16	18	70-109
L53826	6G16	3	60-79	L76191	6D11	10	60-7	L83677	3E14	18	40-19
L53976	6G16	6	60-79	L76191	9F7	29	91-51	L83677	3E16	18	40-21
L55210	9D12	1	91-7	L76191	9F9	26	91-53	L83677	3F13	2	40-44
L55431	7F15	6	70-60	L76331	8G5	9	80-52	M112442	9F9	27	91-53
L55980	4D16	5	42-12	L76331	9E3	6	91-22	M112442	9F11	37	91-53B
L56933	9G10	15	92-21	L76619	8F6	2	80-27	M115279	3F17	1	40-49
L57084	7E7	23	70-25	L76620	8F6	2	80-27	M115279	3F19	1	40-51
L57250	9D24	10	91-19	L76711	6I6	8	60-117	M115279	3G2	3	40-59
L57470	9G10	20	92-21	L76711	7H10	8	70-103	M115279	9G8	3	92-19
L57881	8H20	34	90-17	L76801	6I6	8	60-117	M115827	3E24	19	40-29
L58890	9F2	11	91-47	L76801	7H10	8	70-103	M115827	7F18	1	70-63
L58890	9F3	7	91-47A	L77569	6G16	11	60-79	M115827	7F24	3	70-69
L58890	9F7	17	91-51	L77943	8H12	3	90-9	M117141	8F14	11	80-35
L58890	9F9	17	91-53	L77943	8H20	19	90-17	M117141	9E10	16	91-29
L59320	7G24	2	70-95	L78174	9E18	19	91-37	M40514	8D15	38	71-13
L59320	7H2	2	70-97	L78174	9E20	19	91-39	M44677	7D19	25	70-11
L59336	7H4	5	70-99	L78176	9E18	1	91-37	M45379	7D19	12	70-11
L59336	7H6	15	70-101	L78176	9E20	20	91-39	M45379	7D21	14	70-13
L59336	7H8	15	70-101B	L78422	9E21	9	91-40	M63200	9E14	7	91-33
L59342	7H4	10	70-99	L78625	6G16	9	60-79	M67889	1I15	24	20-117
L59342	7H6	20	70-101	L78691	9F3	5	91-47A	M67889	1I17	24	20-119
L59342	7H8	20	70-101B	L78691	9F9	30	91-53	M68628	8H15	7	90-12
L59343	7H4	6	70-99	L78703	9F5	8	91-49	M70619	6E14	4	60-33
L59343	7H6	17	70-101	L78703	9F9	18	91-53	M71107	3I22	5	41-12
L59343	7H8	17	70-101B	L78704	9F5	31	91-49	M72490	1F9	15	20-39A
L59344	7H4	7	70-99	L78705	9F5	32	91-49	M72490	2E25	15	30-39
L59344	7H6	16	70-101	L78851	9F5	5	91-49	M72490	2F12	15	30-49B
L59345	7H4	11	70-99	L78851	9F9	19	91-53	M72490	2F22	15	30-59
L59345	7H6	21	70-101	L79087	8G6	5	80-53	M73135	9D16	5	91-11
L59345	7H8	21	70-101B	L79302	8G4	1	80-51	M73135	9D16	12	91-11
L59572	7J6	8	70-149	L79404	6F20	19	60-63	M74600	7D19	16	70-11
L59572	7J8	8	70-151	L79404	6I6	6A	60-117	M74600	7D21	13	70-13
L59573	7J6	7	70-149	L79447	7G24	3	70-95	M74782	8H20	10	90-17
L59573	7J8	7	70-151	L79449	7G24	4	70-95	M82714	9E14	33	91-33
L60365	7D17	5	70-9	L79449	7H2	4	70-97	M83725	8G3	4	80-50
L62682	6G16	4	60-79	L79474	8G18	7	80-65	M84313	7H25	3	70-119
L62893	6H11	7	60-99	L79474	9G12	13	92-23	M84313	7I18	9	70-137
L62893	6H13	24	60-101	L79496	9G10	9	92-21	M84971	1J7	12	20-135
L63262	8G18	6	80-65	L79497	9G10	6	92-21	M84971	1J9	14	20-137
L63816	6H11	8	60-99	L79498	9G10	7	92-21	M84971	6G24	6	60-87

1K6

8100, 8200, 8300, 8400 TRACTORS

NUMERICAL INDEX - CONTINUED

PART NO.	GRID	KEY	PAGE	PART NO.	GRID	KEY	PAGE	PART NO.	GRID	KEY	PAGE
M84971	9F25	12	92 - 11	P50631	4G16	9	51 - 45	RE150420	3E12	45	40 - 17
M84972	8F12	13	80 - 33	P50631	5D12	15	53 - 9	RE150420	3E18	45	40 - 23
M84972	8F13	4	80 - 34	P50635	6D25	9	60 - 21	RE150421	3E10	12	40 - 15
M84972	8H20	11	90 - 17	P50635	6E1	9	60 - 21A	RE150421	3E12	12	40 - 17
M84972	9D16	12	91 - 11	RE10258	2F2	4	30 - 41	RE150421	3E14	17	40 - 19
M87795	6F22	12C	60 - 65	RE10258	2F14	4	30 - 51	RE150421	3E14	44	40 - 19
M90097	8D13	3	71 - 11	RE10258	2F24	4	30 - 61	RE150421	3E16	17	40 - 21
M96130	8H15	3	90 - 12	RE10901	1I11	12	20 - 113	RE150421	3E16	45	40 - 21
N107859	7H23	25	70 - 117	RE10901	2D15	15	30 - 7	RE150421	3E18	12	40 - 23
N112193	6H19	7	60 - 107	RE11410	1D18	3	20 - 5	RE150421	4D11	9	42 - 7
N112193	6H23	20	60 - 109	RE11447	7J9	9	70 - 152	RE150421	4D23	9	42 - 19
N112193	6H25	20	60 - 111	RE11456	7J9	2	70 - 152	RE150422	3E2	27	40 - 9
N112193	6I2	1	60 - 113	RE11457	7J9	1	70 - 152	RE150422	3E4	27	40 - 9B
N112193	6I4	1	60 - 115	RE11458	7J9	2	70 - 152	RE150422	3E8	27	40 - 13
N137598	4G6	22	51 - 35	RE11463	7J9	2	70 - 152	RE150422	4D15	2	42 - 11
N137598	4I12	57	51 - 89	RE12049	9G4	1	92 - 15	RE150423	3E2	28	40 - 9
N137598	8D15	59	71 - 13	RE12176	2D11	9	30 - 3	RE150423	3E4	28	40 - 9B
N153493	4G10	30	51 - 39	RE12176	3E2	12	40 - 9	RE150423	3E8	28	40 - 13
N153493	4I14	30	51 - 91	RE12176	3E8	12	40 - 13	RE150423	4D15	2	42 - 11
N154080	7I18	1	70 - 137	RE12187	4F8	16	51 - 11	RE150424	3E20	2	40 - 25
N154080	7I22	3	70 - 141	RE12187	4H10	16	51 - 63	RE150424	4D21	11	42 - 17
N158796	7F6	11	70 - 51	RE12187	5D10	7	53 - 7	RE150425	3E10	37	40 - 15
N191770	6E20	6	60 - 39	RE12187	6D19	2	60 - 15	RE150425	3E12	38	40 - 17
N191770	6E24	2	60 - 43	RE12187	7E1	4	70 - 19	RE150425	3E18	38	40 - 23
N194814	1I11	30	20 - 113	RE12187	7E7	15	70 - 25	RE150425	4D9	10	42 - 5
N194814	7I18	8	70 - 137	RE12187	7H19	2	70 - 113	RE150426	3E2	14	40 - 9
N202662	7I20	3	70 - 139	RE12187	7I10	14	70 - 129	RE150426	3E8	14	40 - 13
N202894	3G2	1	40 - 59	RE12330	4E8	14	43 - 3	RE150426	4D13	14	42 - 9
N203491	7D19	33	70 - 11	RE12331	4E8	12	43 - 3	RE150428	3E2	5	40 - 9
N203491	7D21	9	70 - 13	RE12332	4E8	18	43 - 3	RE150428	3E8	6	40 - 13
N218581	7G22	8	70 - 93	RE12333	4E8	21	43 - 3	RE150428	4D13	9	42 - 9
N260556	8D13	4	71 - 11	RE12334	4E8	8	43 - 3	RE150544	3E18	15	40 - 23
N260556	8D15	16	71 - 13	RE12362	4E8	4	43 - 3	RE150544	3F7	10	40 - 37
N275960	7D25	37	70 - 17	RE12363	3E14	32	40 - 19	RE150545	3F5	4	40 - 35
N30256	3G22	1	40 - 78	RE12363	3E16	32	40 - 21	RE150545	6H13	29	60 - 101
N30405	2G7	27	30 - 71	RE12363	3H15	11	40 - 95	RE150587	9F13	1	91 - 55
N32491	6E4	22	60 - 23	RE12363	3H15	14	40 - 95	RE150589	9F13	1	91 - 55
N32491	6G12	17	60 - 75	RE12363	4D25	17	42 - 21	RE150606	3F5	6	40 - 35
N34349	6D25	8	60 - 21	RE12363	4E8	11	43 - 3	RE150606	6H13	23	60 - 101
N34349	6E1	8	60 - 21A	RE12363	4E8	12	43 - 3	RE150608	4G6	5	51 - 35
PM797NA	4E6	1	43 - 1	RE12364	4E8	16	43 - 3	RE150608	4I10	5	51 - 87
PT11362	3G2	11	40 - 59	RE12365	4E8	20	43 - 3	RE150629	5D14	1	53 - 11
PT11778	8H12	1	90 - 9	RE12366	3E24	3	40 - 29	RE150663	3F5	8	40 - 35
PT11778	8H20	18	90 - 17	RE12366	4E8	25	43 - 3	RE150663	6H13	21	60 - 101
P40098	5E24	18	54 - 13	RE13181	4F23	3	51 - 27	RE150778	6H13	17	60 - 101
P42061	3D20	2	40 - 3	RE13181	4G14	4	51 - 43	RE150781	4G6	5	51 - 35
P42061	3D20	10	40 - 3	RE13181	4I2	3	51 - 79	RE150781	4I10	5	51 - 87
P42061	3D22	1	40 - 5	RE13181	4I18	4	51 - 95	RE150839	6H13	15	60 - 101
P42061	4F4	13	51 - 7	RE13541	9G4	18	92 - 15	RE150839	6H15	7	60 - 103
P42061	4F4	14	51 - 7	RE14439	5E2	6	53 - 25	RE150839	6H17	7	60 - 105
P42061	4F18	2	51 - 21	RE14519	8E18	9	80 - 11	RE150840	6G22	8	60 - 85
P42061	4F18	29	51 - 21	RE150008	8G1	8	80 - 48	RE150840	6H13	30	60 - 101
P42061	4H6	13	51 - 59	RE150010	8G1	8	80 - 48	RE150841	6G22	4	60 - 85
P42061	4H20	2	51 - 73	RE150011	8G1	7	80 - 48	RE150842	6G22	2	60 - 85
P42061	4H20	29	51 - 73	RE150013	8G1	7	80 - 48	RE150842	6H17	21	60 - 105
P42061	5D10	10	53 - 7	RE150316	5F4	14	54 - 17	RE150843	6G22	3	60 - 85
P42894	5E17	7	54 - 4	RE150316	5F8	2	54 - 19	RE150843	6H17	6	60 - 105
P46770	4G16	6	51 - 45	RE150317	5F4	17	54 - 17	RE150852	8E22	11	80 - 17
P46770	5D12	14	53 - 9	RE150317	5F8	5	54 - 19	RE150854	8E24	10	80 - 19
P47889	4G14	10	51 - 43	RE150318	5F4	28	54 - 17	RE150870	7G16	9	70 - 85
P47889	4I18	10	51 - 95	RE150318	5F8	7	54 - 19	RE150871	7G16	1	70 - 85
P47889	5E17	9	54 - 4	RE150319	5F8	9	54 - 19	RE150873	7G8	9	70 - 77
P47889	5F10	2	54 - 21	RE150319	5F10	14	54 - 21	RE150874	7G8	1	70 - 77
P47889	5F17	3	54 - 29	RE150320	5F2	21	54 - 15	RE150889	9G8	10	92 - 19
P47889	5F23	22	54 - 35	RE150320	5F8	9	54 - 19	RE150889	9G8	11	92 - 19
P47889	6E2	9	60 - 21B	RE150419	4D21	10	42 - 17	RE150889	9G8	12	92 - 19
P48347	7E11	6	70 - 31	RE150420	3E10	44	40 - 15	RE150894	9E10	25	91 - 29

NUMERICAL INDEX - CONTINUED

PART NO.	GRID	KEY	PAGE	PART NO.	GRID	KEY	PAGE	PART NO.	GRID	KEY	PAGE
RE150903	6G22	10	60-85	RE153333	3H5	18	40-85	RE156608	8E20	3	80-15
RE150903	6H13	14	60-101	RE153333	3H7	5	40-87	RE156609	8E20	3	80-15
RE150945	3D22	1	40-5	RE153333	3H7	18	40-87	RE156610	8E20	3	80-15
RE150945	4H20	2	51-73	RE153333	3H9	13	40-89	RE156751	5F6	7	54-17B
RE150945	5D10	10	53-7	RE153334	3E2	7	40-9	RE156939	3G14	10	40-71
RE150946	3D22	7	40-5	RE153334	3H5	5	40-85	RE156940	3G14	10	40-71
RE150946	4H6	14	51-59	RE153334	3H5	18	40-85	RE156958	8H20	5	90-17
RE151144	4G10	16	51-39	RE153334	3H7	5	40-87	RE156958	8H20	32	90-17
RE151144	7D11	8	70-3	RE153334	3H7	18	40-87	RE157111	6E22	1	60-41
RE151345	3E20	2	40-25	RE153334	3H9	13	40-89	RE157111	6G5	16	60-69D
RE151345	4D21	11	42-17	RE153902	3G16	19	40-72A	RE157244	8H18	11	90-15
RE151346	3E10	12	40-15	RE154099	5D14	39	53-11	RE157244	9D16	10	91-11
RE151346	3E12	12	40-17	RE154280	6F4	2	60-49	RE157244	9D18	7	91-13
RE151346	3E14	17	40-19	RE154389	1I11	16	20-113	RE157354	3G14	3	40-71
RE151346	3E14	44	40-19	RE154411	4H8	29	51-61	RE157515	7H14	..	70-107
RE151346	3E16	17	40-21	RE154412	4H8	22	51-61	RE157613	2E7	2	30-25
RE151346	3E16	45	40-21	RE154488	3G2	5	40-59	RE157739	5F25	17	54-37
RE151346	3E18	12	40-23	RE154628	6D19	8	60-15	RE158037	9G8	1	92-19
RE151346	4D11	9	42-7	RE154766	6G3	19	60-69B	RE158047	5F25	3	54-37
RE151346	4D23	9	42-19	RE154869	5F4	16	54-17	RE158048	5F25	3	54-37
RE151433	1F5	16	20-37	RE154869	5F8	4	54-19	RE158066	4F23	3	51-27
RE151433	1F6	15	20-37A	RE154869	5F10	19	54-21	RE158066	4G14	4	51-43
RE151433	1G19	16	20-73	RE154869	5F25	6	54-37	RE158066	4I2	3	51-79
RE151433	1I7	16	20-109	RE154994	9E18	16	91-37	RE158066	4I8	4	51-95
RE151433	3E2	22	40-9	RE155037	4G12	16	51-41	RE15807	2E23	26	30-37
RE151433	3E4	22	40-9B	RE155037	4I16	16	51-93	RE15807	2F8	24	30-47
RE151433	3E8	22	40-13	RE155218	8H10	16	90-7	RE15807	2F20	26	30-57
RE151465	2G9	9	30-73	RE155450	6F1	1A	60-45	RE15808	2E23	27	30-37
RE151494	3E20	3	40-25	RE155450	6F1	1B	60-45	RE15808	2F8	25	30-47
RE151494	3E20	7	40-25	RE155581	1I22	31	20-125	RE15808	2F20	27	30-57
RE151494	9E23	2	91-43	RE155581	1J2	31	20-129	RE158282	6E18	1	60-37
RE151496	9E23	8	91-43	RE155637	6F22	5A	60-65	RE158282	6E20	1	60-39
RE151728	2E7	4	30-25	RE155637	6F22	5B	60-65	RE158815	3E12	15	40-17
RE151774	6D7	2	60-3	RE155637	6F22	5C	60-65	RE158815	3E18	15	40-23
RE151801	4H12	9	51-65	RE155825	5F6	7	54-17B	RE158815	3F7	10	40-37
RE151898	7D19	27	70-11	RE155826	5F6	7	54-17B	RE158815	3F12	9	40-43
RE151968	6F8	1	60-51B	RE155938	3E10	21	40-15	RE158816	3E16	19	40-21
RE151986	4G4	1	51-33	RE155938	3E12	21	40-17	RE158816	3F7	10	40-37
RE152005	3G14	10	40-71	RE155938	3E14	25	40-19	RE158816	3F13	9	40-44
RE152005	6F18	5	60-61	RE155938	3E16	25	40-21	RE158817	3E6	12	40-11
RE152006	3G14	10	40-71	RE155938	3E18	21	40-23	RE158817	3E8	1	40-13
RE152006	6F18	5	60-61	RE155938	8H12	16	90-9	RE158819	3D22	3	40-5
RE152110	7E7	4	70-25	RE155953	8F8	1	80-29	RE159108	6G3	3	60-69B
RE152147	3F17	16	40-49	RE155966	3D22	1	40-5	RE159217	6E20	36	60-39
RE152147	3F19	16	40-51	RE155966	4H20	2	51-73	RE159217	6F1	5A	60-45
RE152291	8H20	5	90-17	RE155966	5D10	10	53-7	RE159217	6F1	5B	60-45
RE152291	8H20	27	90-17	RE155967	3D22	7	40-5	RE159503	7G14	5	70-83
RE152291	8H22	1	90-19	RE155967	4H6	14	51-59	RE159503	7G16	9	70-85
RE152380	3G14	10	40-71	RE155975	9F5	28	91-49	RE159541	1I15	1	20-117
RE152382	3G14	10	40-71	RE155975	9F5	34	91-49	RE159541	1I17	1	20-119
RE152556	9F13	1	91-55	RE155987	3E10	2	40-15	RE159560	5F15	4	54-27
RE152557	9F13	1	91-55	RE155987	3E12	2	40-17	RE159560	6G1	4	60-69
RE152877	3E8	5	40-13	RE155987	3E14	2	40-19	RE159620	3G14	3	40-71
RE152877	3H9	9	40-89	RE155987	3E16	2	40-21	RE159622	3G14	4	40-71
RE152880	3E8	5	40-13	RE155987	3E18	2	40-23	RE159623	3G14	3	40-71
RE152880	3H9	9	40-89	RE155987	3G17	1	40-73	RE159624	3G14	4	40-71
RE153022	4G4	1	51-33	RE155987	3G17	2	40-73	RE159625	3G14	3	40-71
RE153099	6H25	25	60-111	RE155989	6D20	1	60-16	RE159626	3G14	4	40-71
RE153152	9D12	24	91-7	RE155989	6D22	13	60-17B	RE159802	6H13	9	60-101
RE153242	6D16	1	60-12	RE155989	6D22	14	60-17B	RE159805	6H13	31	60-101
RE153289	3I2	3	40-107	RE155994	8E24	10	80-19	RE159897	3E2	25	40-9
RE153329	3D22	1	40-5	RE156219	3G14	4	40-71	RE159897	3E8	25	40-13
RE153329	4H20	2	51-73	RE156220	3G14	4	40-71	RE159897	3H1	1	40-82
RE153330	3D22	7	40-5	RE156238	8F8	3	80-29	RE159897	3H2	1	40-82A
RE153330	4H6	14	51-59	RE156605	8E20	3	80-15	RE160005	9F7	14	91-51
RE153333	3E2	7	40-9	RE156606	8E20	3	80-15	RE160005	9F9	21	91-53
RE153333	3H5	5	40-85	RE156607	8E20	3	80-15	RE160333	7G2	1	70-71

NUMERICAL INDEX - CONTINUED

PART NO.	GRID	KEY	PAGE	PART NO.	GRID	KEY	PAGE	PART NO.	GRID	KEY	PAGE
RE160680	3D20	7	40-3	RE20343	7E25	20	70-45	RE32042	3E12	14	40-17
RE160680	3D20	11	40-3	RE20434	7E20	7	70-40	RE32042	3E14	15	40-19
RE160680	3D20	12	40-3	RE20434	7E22	7	70-42	RE32042	3E16	15	40-21
RE160680	3D22	10	40-5	RE20491	7E20	3	70-40	RE32042	3E18	14	40-23
RE160680	3D22	11	40-5	RE20491	7E22	3	70-42	RE32042	3G18	1	40-74
RE160680	4F8	19	51-11	RE20595	7E24	7	70-44	RE32042	3G18	2	40-74
RE160680	4H10	19	51-63	RE20757	7E24	3	70-44	RE32042	3G19	1	40-75
RE160770	3E12	15	40-17	RE21099	3H15	12	40-95	RE32361	4G22	8	51-51
RE160770	3E18	15	40-23	RE21117	3H15	2	40-95	RE32442	4G3	5	51-32
RE160770	3F7	10	40-37	RE21519	3H15	13	40-95	RE32442	4I7	5	51-84
RE160770	3F12	9	40-43	RE21790	2E9	6	30-27	RE33636	2E9	12	30-27
RE160903	3G18	2	40-74	RE21790	2E9	8	30-27	RE33778	3E14	32	40-19
RE160903	3G18	6	40-74	RE21790	2E10	3	30-28	RE33778	3E16	32	40-21
RE160903	3G19	1	40-75	RE22336	5E21	13	54-9	RE33968	7E20	2	70-40
RE160903	3G19	5	40-75	RE22337	5E21	11	54-9	RE33968	7E21	2	70-41
RE160963	3G2	5	40-59	RE22764	1E6	1	20-13D	RE34128	2F14	4	30-51
RE161017	6E1	1	60-21A	RE22764	1E16	5	20-22	RE34128	2F24	4	30-61
RE161017	6E2	1	60-21B	RE22764	1G7	5	20-59	RE34995	8F14	8	80-35
RE161018	6E1	1	60-21A	RE22764	1H19	5	20-97	RE34995	8G2	11	80-49
RE161018	6E2	1	60-21B	RE23182	1D15	2	20-2	RE34995	8G12	4	80-59
RE161437	3F7	8	40-37	RE24045	1D21	11	20-8	RE35684	1F9	8	20-39A
RE161626	4E2	23	42-23	RE24045	1F15	11	20-44	RE35684	2E25	8	30-39
RE161680	1E9	2	20-15	RE24045	1H2	11	20-80	RE35684	2F12	8	30-49B
RE161680	1F23	2	20-52	RE24046	1D21	13	20-8	RE35684	2F22	8	30-59
RE161680	1H12	2	20-90	RE24046	1F15	13	20-44	RE35992	1D15	3	20-2
RE161727	7G6	5	70-75	RE24046	1H2	13	20-80	RE36151	2F1	8	30-40
RE161727	7G8	9	70-77	RE24201	9E23	7	91-43	RE36151	2F13	8	30-50
RE161844	3E10	14	40-15	RE24467	3D24	9	40-7	RE36151	2F23	8	30-60
RE161844	3E12	14	40-17	RE24467	7E11	10	70-31	RE36282	5F2	15	54-15
RE161844	3E14	15	40-19	RE24535	7E20	6	70-40	RE36367	1E23	2	20-29
RE161844	3E16	15	40-21	RE24535	7E22	6	70-42	RE36421	2E23	28	30-37
RE161844	3E18	14	40-23	RE24536	7E24	6	70-44	RE36421	2F8	26	30-47
RE161844	3G18	2	40-74	RE24975	1E11	3	20-17	RE36421	2F20	28	30-57
RE161844	3G18	6	40-74	RE24975	1F25	3	20-54	RE37003	7E20	11	70-40
RE161844	3G19	1	40-75	RE25253	2E23	17	30-37	RE37003	7E21	11	70-41
RE161844	3G19	5	40-75	RE25253	2F4	11	30-43	RE37448	1D19	2	20-6
RE162261	8F9	13	80-30	RE26739	7G18	6	70-89	RE37448	1F12	2	20-42
RE162262	9D25	4	91-19A	RE26740	7G18	6	70-89	RE37448	1G24	2	20-78
RE162644	9D25	1	91-19A	RE27091	2E19	13	30-33	RE37450	3E20	6	40-25
RE162764	3G14	3	40-71	RE27091	2E21	11	30-35	RE37450	4D19	3	42-15
RE162766	3G14	3	40-71	RE28217	1F9	23	20-39A	RE37640	3F2	3	40-32
RE162767	3G14	4	40-71	RE28217	2E25	23	30-39	RE37640	3F3	3	40-33
RE162770	3G14	4	40-71	RE28217	2F12	23	30-49B	RE37640	9D22	16	91-17
RE162773	3G14	3	40-71	RE28217	2F22	23	30-59	RE37651	3F15	6	40-46
RE162774	3G14	4	40-71	RE28217	3E2	19	40-9	RE37651	3F17	25	40-49
RE163458	2D13	3	30-5	RE28217	3E8	19	40-13	RE37651	3F17	37	40-49
RE163725	3E12	15	40-17	RE28320	2E25	1	30-39	RE37651	3F19	38	40-51
RE163725	3E18	15	40-23	RE28320	2F10	1	30-49	RE38310	2D16	4	30-8
RE163725	3F7	10	40-37	RE28320	2F12	1	30-49B	RE38310	2D21	4	30-13
RE163725	3F12	9	40-43	RE28320	2F22	1	30-59	RE38310	2D25	4	30-17
RE163804	4E2	29	42-23	RE28320	3G16	15	40-72A	RE38310	3E2	21	40-9
RE163839	8G5	10	80-52	RE28429	5E10	1	53-33	RE38310	3E4	21	40-9B
RE164116	4E2	2	42-23	RE29859	1F8	19	20-39	RE38310	3E8	21	40-13
RE164117	4E2	2	42-23	RE30159	2E23	17	30-37	RE38391	3E2	6	40-9
RE164175	4E2	2	42-23	RE30159	2F4	11	30-43	RE38391	3E8	7	40-13
RE164176	4E2	2	42-23	RE30714	3E14	32	40-19	RE38391	3F9	1	40-40
RE164286	2D13	1	30-5	RE30714	6F14	11	60-57	RE38725	5E4	12	53-27
RE164598	5D6	19	53-3	RE30714	6F16	11	60-59	RE39121	1F3	15	20-35
RE164598	5D8	19	53-5	RE30833	1F9	5	20-39A	RE39121	1F4	6	20-36
RE164598	5D10	1	53-7	RE30833	2E25	5	30-39	RE39134	1G18	8	20-71
RE164598	7D11	9	70-3	RE30833	2F12	5	30-49B	RE39134	1I6	8	20-108A
RE165401	3G14	10	40-71	RE30833	2F22	5	30-59	RE39243	3I18	9	41-7
RE165401	6F18	5	60-61	RE30920	1F9	3	20-39A	RE39245	3I18	10	41-7
RE165402	6F18	5	60-61	RE30920	2E25	3	30-39	RE39247	3I18	14	41-7
RE166045	4E2	17	42-23	RE30920	2F12	3	30-49B	RE39249	3I18	3	41-7
RE19989	9G4	11	92-15	RE30920	2F22	3	30-59	RE39250	3I18	11	41-7
RE20343	7E24	20	70-44	RE32042	3E10	14	40-15	RE39251	3I18	1	41-7

NUMERICAL INDEX - CONTINUED

PART NO.	GRID	KEY	PAGE	PART NO.	GRID	KEY	PAGE	PART NO.	GRID	KEY	PAGE
RE39396	7I10	16	70 - 129	RE43511	3E2	23	40 - 9	RE44747	6E14	1	60 - 33
RE39396	7I14	7	70 - 133	RE43511	3E4	23	40 - 9B	RE44752	6E16	4	60 - 35
RE39476	1F1	8	20 - 32	RE43511	3E6	10	40 - 11	RE44757	4G22	1	51 - 51
RE39659	3I23	5	41 - 13	RE43511	3E6	15	40 - 11	RE44766	6G14	18	60 - 77
RE39700	7F8	1	70 - 53	RE43511	3E8	23	40 - 13	RE44769	4G22	5	51 - 51
RE39719	6D7	11	60 - 3	RE43511	5D10	15	53 - 7	RE44774	7F2	3	70 - 47
RE39890	1E23	10	20 - 29	RE43511	5E4	33	53 - 27	RE44774	7F4	3	70 - 49
RE39967	3F7	7	40 - 37	RE43526	3F1	3	40 - 31	RE44778	6F6	3	60 - 51
RE40296	5D12	7	53 - 9	RE43526	9F21	4	92 - 7	RE44784	2E7	6	30 - 25
RE40588	3I11	3	41 - 1	RE43540	9E5	1	91 - 24	RE44786	9E14	31	91 - 33
RE41223	4D25	4	42 - 21	RE43593	1I11	5	20 - 113	RE44818	9D10	1	91 - 5
RE41758	3I14	10	41 - 4	RE43637	3G24	2	40 - 80	RE44831	5E18	1	54 - 5
RE41949	4E10	15	43 - 5	RE43737	3E10	1	40 - 15	RE44871	5E7	1	53 - 30
RE41973	5E22	8	54 - 10	RE43737	3E12	1	40 - 17	RE44872	7F10	1	70 - 55
RE41991	7E5	21	70 - 23	RE43737	3E14	1	40 - 19	RE45293	8H18	11	90 - 15
RE42192	4E10	2	43 - 5	RE43737	3E16	1	40 - 21	RE45293	9D16	10	91 - 11
RE42193	3H5	15	40 - 85	RE43737	3E18	1	40 - 23	RE45293	9D18	7	91 - 13
RE42193	3H7	15	40 - 87	RE43737	3F7	2	40 - 37	RE45329	3I14	10	41 - 4
RE42193	3H9	3	40 - 89	RE43737	4E14	1	43 - 9	RE45329	3I14	11	41 - 4
RE42193	3H13	9	40 - 93	RE43738	3D24	12	40 - 7	RE45329	3I15	5	41 - 4A
RE42193	4E13	14	43 - 8	RE43738	3E6	11	40 - 11	RE45329	3I15	12	41 - 4A
RE42195	4E10	10	43 - 5	RE43738	7E13	2	70 - 33	RE45329	3I15	13	41 - 4A
RE42196	3E24	16	40 - 29	RE43774	6G8	17	60 - 71	RE45329	3I16	4	41 - 5
RE42196	3F14	1	40 - 45	RE43774	6G10	17	60 - 73	RE45329	3I16	9	41 - 5
RE42196	4E10	9	43 - 5	RE43774	6G14	37	60 - 77	RE45329	3I19	1	41 - 8
RE42306	2F16	10	30 - 53	RE43774	7D23	38	70 - 15	RE45329	3I19	6	41 - 8
RE42306	2F25	10	30 - 62	RE43774	7D25	38	70 - 17	RE45330	3I19	8	41 - 8
RE42777	3I18	6	41 - 7	RE43836	7D15	3	70 - 7	RE45337	1F3	10	20 - 35
RE42777	3I19	7	41 - 8	RE43836	7D17	1	70 - 9	RE45337	1F4	3	20 - 36
RE42809	1E19	2	20 - 25	RE43837	7D15	9	70 - 7	RE45368	4F20	3	51 - 23
RE43025	3E2	7	40 - 9	RE43889	7H23	19	70 - 117	RE45369	4G14	8	51 - 43
RE43025	3E2	8	40 - 9	RE43889	7H25	4	70 - 119	RE45369	4I18	8	51 - 95
RE43025	3H5	5	40 - 85	RE43892	7H23	17	70 - 117	RE45370	4G6	14	51 - 35
RE43025	3H7	5	40 - 87	RE44118	1H24	15	20 - 103	RE45370	4G6	30	51 - 35
RE43058	5E21	13	54 - 9	RE44260	8E22	11	80 - 17	RE45370	4G8	40	51 - 37
RE43058	5G4	6	54 - 41	RE44353	8F12	1	80 - 33	RE45374	4F23	15	51 - 27
RE43059	5E21	11	54 - 9	RE44559	7F18	14	70 - 63	RE45374	4F25	27	51 - 29
RE43059	5G2	4	54 - 39	RE44561	7F18	11	70 - 63	RE45374	4F25	39	51 - 29
RE43059	5G4	5	54 - 41	RE44581	3E22	12	40 - 27	RE45374	4G2	12	51 - 31
RE43166	1F3	20	20 - 35	RE44581	3I23	1	41 - 13	RE45374	4G2	24	51 - 31
RE43166	3I14	..	41 - 4	RE44582	3I23	2	41 - 13	RE45374	4I2	15	51 - 79
RE43166	3I16	8	41 - 5	RE44590	3E10	33	40 - 15	RE45374	4I4	27	51 - 81
RE43166	3I19	5	41 - 8	RE44590	3E12	34	40 - 17	RE45374	4I4	39	51 - 81
RE43266	3I14	10	41 - 4	RE44590	3E14	40	40 - 19	RE45374	4I6	12	51 - 83
RE43369	1F9	21	20 - 39A	RE44590	3E16	41	40 - 21	RE45374	4I6	24	51 - 83
RE43369	2E25	21	30 - 39	RE44590	3E18	34	40 - 23	RE45374	5D6	11	53 - 3
RE43446	9G4	4	92 - 15	RE44590	3G20	2	40 - 76	RE45374	5D8	11	53 - 5
RE43451	3F1	2	40 - 31	RE44632	1E13	4	20 - 19	RE45382	1J5	1	20 - 132
RE43451	9F18	2	92 - 3	RE44632	1G4	4	20 - 56	RE45388	4F18	13	51 - 21
RE43451	9G6	19	92 - 17	RE44632	1H16	4	20 - 94	RE45388	4F20	14	51 - 23
RE43462	3H13	2	40 - 93	RE44680	9F7	12	91 - 51	RE45388	4H20	13	51 - 73
RE43492	3F21	11	40 - 53	RE44680	9F9	14	91 - 53	RE45388	4H22	14	51 - 75
RE43497	3E10	25	40 - 15	RE44687	9E14	8	91 - 33	RE45391	4G16	4	51 - 45
RE43497	3E12	25	40 - 17	RE44688	4D13	8	42 - 9	RE45392	4G16	13	51 - 45
RE43497	3E14	29	40 - 19	RE44688	4D13	10	42 - 9	RE45393	4G12	21	51 - 41
RE43497	3E16	29	40 - 21	RE44688	4D15	1	42 - 11	RE45393	4I16	21	51 - 93
RE43497	3E18	25	40 - 23	RE44688	4D21	9	42 - 17	RE45397	4G6	10	51 - 35
RE43497	3F17	12	40 - 49	RE44716	2E7	3	30 - 25	RE45397	4G6	26	51 - 35
RE43497	3F19	12	40 - 51	RE44718	2G7	23	30 - 71	RE45397	4G8	44	51 - 37
RE43508	3D24	18	40 - 7	RE44727	6F6	18	60 - 51	RE45399	4F20	5	51 - 23
RE43508	3E6	17	40 - 11	RE44731	7I22	4	70 - 141	RE45399	4G2	5	51 - 31
RE43508	7E7	5	70 - 25	RE44733	7I16	2	70 - 135	RE45399	4G2	38	51 - 31
RE43511	1E18	1	20 - 24	RE44735	7I16	5	70 - 135	RE45399	4H22	5	51 - 75
RE43511	1G9	2	20 - 61	RE44737	6E4	1	60 - 23	RE45399	4I6	5	51 - 83
RE43511	1H21	2	20 - 99	RE44738	6F6	4	60 - 51	RE45399	4I6	38	51 - 83
RE43511	3D24	10	40 - 7	RE44743	7F2	1	70 - 47	RE45400	4F25	44	51 - 29
RE43511	3D24	16	40 - 7	RE44743	7F4	1	70 - 49	RE45400	4G2	7	51 - 31

1K10

8100, 8200, 8300, 8400 TRACTORS

NUMERICAL INDEX - CONTINUED

PART NO.	GRID	KEY	PAGE	PART NO.	GRID	KEY	PAGE	PART NO.	GRID	KEY	PAGE
RE45406	4G3	8	51-32	RE46685	4H14	13	51-67	RE48073	3E2	22	40-9
RE45406	4I7	8	51-84	RE46685	5D14	25	53-11	RE48073	3E4	22	40-9B
RE45407	4F18	12	51-21	RE46685	5D14	28	53-11	RE48073	3E8	22	40-13
RE45407	4H20	12	51-73	RE46685	5E17	11	54-4	RE48142	8E22	11	80-17
RE45409	4F23	16	51-27	RE46685	7F2	8	70-47	RE48145	8E22	11	80-17
RE45409	4F25	28	51-29	RE46685	7F4	8	70-49	RE48145	8E25	3	80-20
RE45409	4F25	40	51-29	RE46687	1I20	17	20-123	RE48234	3E16	32	40-21
RE45409	4G2	11	51-31	RE46687	1I24	17	20-127	RE48234	6F20	11	60-63
RE45409	4G2	23	51-31	RE46687	7F6	1	70-51	RE48310	2E9	11	30-27
RE45410	4G8	47	51-37	RE46687	7I10	12	70-129	RE48310	3E2	16	40-9
RE45410	4I12	47	51-89	RE46717	3E10	24	40-15	RE48310	3E8	16	40-13
RE45415	4F20	12	51-23	RE46717	3E12	24	40-17	RE48321	2E9	11	30-27
RE45415	4H22	12	51-75	RE46717	3E14	28	40-19	RE48345	5F2	28	54-15
RE46252	1F9	17	20-39A	RE46717	3E16	28	40-21	RE48345	5F4	7	54-17
RE46252	2E25	17	30-39	RE46717	3E18	24	40-23	RE48400	7J6	26	70-149
RE46252	2F2	6	30-41	RE46717	3F17	11	40-49	RE48579	6G8	6	60-71
RE46252	2F12	17	30-49B	RE46717	3F19	11	40-51	RE48579	6G10	6	60-73
RE46252	2F14	6	30-51	RE46734	4E14	3	43-9	RE48580	6G14	2	60-77
RE46365	5F4	16	54-17	RE46735	4E14	4	43-9	RE48609	6G8	10	60-71
RE46365	5F8	4	54-19	RE46736	3F21	7	40-53	RE48610	6G8	8	60-71
RE46365	5F10	19	54-21	RE46736	4E14	5	43-9	RE48610	6G10	8	60-73
RE46375	2F22	17	30-59	RE46742	3F17	14	40-49	RE48610	6G12	8	60-75
RE46375	2F24	6	30-61	RE46742	3F19	14	40-51	RE48636	7I22	6	70-141
RE46460	6F4	2	60-49	RE46800	5D16	1	53-13	RE48637	6G14	21	60-77
RE46534	3D20	18	40-3	RE46890	4D25	14	42-21	RE48638	6G14	27	60-77
RE46534	3D22	12	40-5	RE46957	5F2	21	54-15	RE48761	5D12	1	53-9
RE46534	3E10	40	40-15	RE47070	8H14	29	90-11	RE48838	3E10	34	40-15
RE46534	3E12	41	40-17	RE47070	8H20	26	90-17	RE48838	3E12	35	40-17
RE46534	3E14	48	40-19	RE47095	3G20	5	40-76	RE48838	3E14	41	40-19
RE46534	3E16	49	40-21	RE47120	2E23	12	30-37	RE48838	3E16	42	40-21
RE46534	3E18	41	40-23	RE47120	2F20	12	30-57	RE48838	3E18	35	40-23
RE46534	3G24	4	40-80	RE47328	5E4	36	53-27	RE48838	3G20	1	40-76
RE46534	4F8	5	51-11	RE47336	1D18	19	20-5	RE48867	3E22	10	40-27
RE46534	4H10	5	51-63	RE47336	1F8	18	20-39	RE48867	8G3	3	80-50
RE46587	9F7	8	91-51	RE47392	4F4	19	51-7	RE48875	3E2	11	40-9
RE46587	9F9	4	91-53	RE47392	4G17	7	51-46	RE48875	3E8	11	40-13
RE46588	9F7	4	91-51	RE47392	4H6	19	51-59	RE48875	3E10	4	40-15
RE46588	9F9	8	91-53	RE47426	2E23	7	30-37	RE48875	3E12	4	40-17
RE46589	9F7	16	91-51	RE47426	2F8	7	30-47	RE48875	3E14	4	40-19
RE46589	9F9	25	91-53	RE47427	2E23	5	30-37	RE48875	3E16	4	40-21
RE46608	3E2	10	40-9	RE47427	2F8	6	30-47	RE48875	3E18	4	40-23
RE46608	3E8	10	40-13	RE47428	2E23	4	30-37	RE48875	3E22	1	40-27
RE46608	3I11	2	41-1	RE47428	2F8	5	30-47	RE48876	3F4	3	40-34
RE46608	3I13	8	41-3	RE47429	2E23	3	30-37	RE48876	3F7	8	40-37
RE46608	3I13	11	41-3	RE47429	2F8	3	30-47	RE48876	3I6	4	40-111
RE46609	8H5	2	90-1	RE47430	2E23	2	30-37	RE48876	3I6	4	40-111
RE46648	7D15	27	70-7	RE47430	2F8	2	30-47	RE48954	3E10	11	40-15
RE46684	3D22	14	40-5	RE47431	2E23	1	30-37	RE48954	3E12	11	40-17
RE46684	4F2	20	51-5	RE47431	2F8	1	30-47	RE48954	3E18	11	40-23
RE46684	4F6	19	51-9	RE47501	2E19	4	30-33	RE48954	4D5	1	42-1
RE46684	4F8	34	51-11	RE47501	2E21	4	30-35	RE48955	3E10	29	40-15
RE46684	4F8	40	51-11	RE47635	2G3	6	30-67	RE48955	3E12	30	40-17
RE46684	4H4	20	51-57	RE47635	2G3	7	30-67	RE48955	3E18	30	40-23
RE46684	4H8	19	51-61	RE47635	2G3	10	30-67	RE48955	4D5	1	42-1
RE46684	4H10	8	51-63	RE47758	5F2	18	54-15	RE48985	3E10	44	40-15
RE46684	4H10	10	51-63	RE47959	4G10	24	51-39	RE48985	4D8	4	42-4
RE46684	4H10	14	51-63	RE47959	4I14	24	51-91	RE48986	3E10	37	40-15
RE46684	4H14	10	51-67	RE48028	3F15	5	40-46	RE48986	4D8	4	42-4
RE46684	5D10	6	53-7	RE48029	3F15	3	40-46	RE48989	3E10	12	40-15
RE46684	6E14	12	60-33	RE48031	3F15	4	40-46	RE48989	3E14	44	40-19
RE46684	6E16	12	60-35	RE48048	2F2	1	30-41	RE48989	4D10	6	42-6
RE46684	7D15	29	70-7	RE48048	2F14	1	30-51	RE48989	4D22	6	42-18
RE46684	7D23	19	70-15	RE48048	2F24	1	30-61	RE49011	3G10	16	40-67
RE46684	7D25	19	70-17	RE48073	1F5	16	20-37	RE49091	6G14	35	60-77
RE46684	7E7	7	70-25	RE48073	1F6	15	20-37A	RE49091	7I20	21	70-139
RE46684	7H19	3	70-113	RE48073	1G19	16	20-73	RE49136	7D15	19	70-7
RE46685	4F12	13	51-15	RE48073	1I7	16	20-109	RE49242	3H15	2	40-95
								RE49256	5D24	10	53-21

NUMERICAL INDEX - CONTINUED

PART NO.	GRID	KEY	PAGE	PART NO.	GRID	KEY	PAGE	PART NO.	GRID	KEY	PAGE
RE49315	5E16	4	54-3	RE500773	2F10	1	30-49	RE502147	3G16	15	40-72A
RE49315	5F13	4	54-25	RE500773	3G16	15	40-72A	RE502154	1G18	5	20-71
RE49315	5F19	7	54-31	RE500774	2F10	1	30-49	RE502154	1G18	7	20-71
RE49428	9E14	23	91-33	RE500774	3G16	15	40-72A	RE502154	1I6	5	20-108A
RE49444	2E19	11	30-33	RE501270	2D19	10	30-11	RE502154	1I6	7	20-108A
RE49444	2G3	11	30-67	RE501270	2D19	13A	30-11	RE502259	1F9	10	20-39A
RE49445	2E19	6	30-33	RE501270	2D19	13B	30-11	RE502259	1F9	11	20-39A
RE49445	2G3	6	30-67	RE50172	7D13	1	70-5	RE502259	1F9	13	20-39A
RE49445	2G3	7	30-67	RE501723	2F10	1	30-49	RE502259	2E25	10	30-39
RE49446	2E19	7	30-33	RE50173	7D13	2	70-5	RE502259	2E25	11	30-39
RE49446	2F1	..	30-40	RE501731	2E25	1	30-39	RE502259	2E25	13	30-39
RE49446	2F13	..	30-50	RE501731	2F10	1	30-49	RE502404	2F10	1	30-49
RE49446	2F23	..	30-60	RE501731	2F12	1	30-49B	RE502425	2F22	1	30-59
RE49446	2G3	7	30-67	RE501731	2F22	1	30-59	RE502425	3G16	15	40-72A
RE49474	8E20	3	80-15	RE501731	3G16	15	40-72A	RE502426	2F10	1	30-49
RE49475	8E20	3	80-15	RE50178	7D11	7	70-3	RE502426	3G16	15	40-72A
RE49476	8E20	3	80-15	RE501823	2F22	1	30-59	RE502427	2F10	1	30-49
RE49540	1F3	15	20-35	RE501823	3G16	15	40-72A	RE502427	3G16	15	40-72A
RE49540	1F4	6	20-36	RE501824	2E25	1	30-39	RE502428	2F10	1	30-49
RE49636	3E10	9	40-15	RE501824	2F12	1	30-49B	RE502428	3G16	15	40-72A
RE49636	3E12	9	40-17	RE501824	3G16	15	40-72A	RE502429	2F22	1	30-59
RE49636	3E14	11	40-19	RE501825	2E25	1	30-39	RE502697	2F12	10	30-49B
RE49636	3E16	11	40-21	RE501825	2F12	1	30-49B	RE502698	2F12	10	30-49B
RE49636	3E18	9	40-23	RE501825	3G16	15	40-72A	RE502824	2F12	1	30-49B
RE49636	8H20	9	90-17	RE501826	2E25	1	30-39	RE503177	2E25	1	30-39
RE49639	3G2	6	40-59	RE501826	2F12	1	30-49B	RE503177	2F12	1	30-49B
RE49661	1I13	14	20-115	RE501826	3G16	15	40-72A	RE503178	2E25	1	30-39
RE49724	3E10	3	40-15	RE501828	3G16	15	40-72A	RE503178	2F12	1	30-49B
RE49724	3E12	3	40-17	RE50183	8E18	9	80-11	RE503179	2E25	1	30-39
RE49724	3E14	3	40-19	RE50183	8E18	16	80-11	RE503179	2F12	1	30-49B
RE49724	3E16	3	40-21	RE501834	2F10	1	30-49	RE503182	2F10	1	30-49
RE49724	3E18	3	40-23	RE501835	2F10	1	30-49	RE503183	2F10	1	30-49
RE49724	3F7	6	40-37	RE50184	8E18	9	80-11	RE503184	2F22	1	30-59
RE49724	4E14	2	43-9	RE501847	2F10	1	30-49	RE503260	1F3	15	20-35
RE49726	3F7	3	40-37	RE501847	3G16	15	40-72A	RE503340	2F22	1	30-59
RE49727	3E10	5	40-15	RE501848	2F10	1	30-49	RE50374	9F5	20	91-49
RE49727	3E12	5	40-17	RE501849	2F10	1	30-49	RE50374	9F5	21	91-49
RE49727	3E14	5	40-19	RE501849	3G16	15	40-72A	RE50374	9F5	33	91-49
RE49727	3E16	5	40-21	RE501938	5D10	16	53-7	RE50376	9F7	22	91-51
RE49727	3E18	5	40-23	RE501938	5E4	27	53-27	RE50378	9F7	7	91-51
RE49727	3F17	21	40-49	RE501940	3G16	15	40-72A	RE50378	9F9	5	91-53
RE49727	3F19	21	40-51	RE502104	3G16	15	40-72A	RE50379	9F7	33	91-51
RE49736	3E22	9	40-27	RE502110	2E25	1	30-39	RE50401	6D14	4	60-10
RE49778	4D5	2	42-1	RE502110	2F12	1	30-49B	RE50401	6D15	4	60-11
RE49778	4D18	3	42-14	RE502110	3G16	15	40-72A	RE504071	2F10	1	30-49
RE49931	9D10	8	91-5	RE502111	2E25	1	30-39	RE504071	3G16	15	40-72A
RE49988	8E8	1	80-1	RE502111	2F12	1	30-49B	RE50467	2E17	1	30-31B
RE500157	2D19	13B	30-11	RE502111	3G16	15	40-72A	RE50467	2F18	1	30-55
RE500161	2E15	5	30-31	RE502112	2E25	1	30-39	RE50533	7F18	13	70-63
RE500209	1E10	1	20-16	RE502112	2F12	1	30-49B	RE50533	7F20	7	70-65
RE500209	1F24	1	20-53	RE502112	3G16	15	40-72A	RE50533	7F22	7	70-67
RE500209	1H13	1	20-91	RE502121	2F10	1	30-49	RE50699	8E22	11	80-17
RE500214	1F3	10	20-35	RE502121	3G16	15	40-72A	RE50747	5D6	16	53-3
RE500214	1F3	15	20-35	RE502122	2F10	1	30-49	RE50747	5D8	16	53-5
RE500214	1F4	3	20-36	RE502122	3G16	15	40-72A	RE50749	8E22	11	80-17
RE500214	1F4	6	20-36	RE502123	2F10	1	30-49	RE50750	8E22	11	80-17
RE500280	2E19	6	30-33	RE502123	3G16	15	40-72A	RE50752	2E15	..	30-31
RE500280	2E19	10	30-33	RE502124	2F22	1	30-59	RE50752	2E17	2	30-31B
RE500280	2E19	11	30-33	RE502124	3G16	15	40-72A	RE50752	2E17	..	30-31B
RE500280	2E21	6	30-35	RE502125	2E25	1	30-39	RE50752	2F18	2	30-55
RE500280	2F6	2	30-45	RE502125	2F10	1	30-49	RE50782	4G17	4	51-46
RE500280	2G3	11	30-67	RE502125	2F12	1	30-49B	RE50803	5F2	7	54-15
RE500280	2G5	2	30-69	RE502125	2F22	1	30-59	RE50803	5F4	9	54-17
RE500769	2F22	1	30-59	RE502125	3G16	15	40-72A	RE50803	5F6	1	54-17B
RE500769	3G16	15	40-72A	RE502135	2E25	1	30-39	RE50803	5F19	3	54-31
RE500772	2F10	1	30-49	RE502135	2F12	1	30-49B	RE50803	5F21	5	54-33
RE500772	3G16	15	40-72A	RE502135	2F22	1	30-59	RE50874	9F9	27	91-53

1K12

8100, 8200, 8300, 8400 TRACTORS

NUMERICAL INDEX - CONTINUED

PART NO.	GRID	KEY	PAGE	PART NO.	GRID	KEY	PAGE	PART NO.	GRID	KEY	PAGE
RE50874	9F11	47	91 - 53B	RE51656	8E20	3	80 - 15	RE52559	9F21	7	92 - 7
RE50889	1E9	2	20 - 15	RE51657	8E20	3	80 - 15	RE52560	9F21	6	92 - 7
RE50889	1F23	2	20 - 52	RE51658	8E20	3	80 - 15	RE52561	9F21	4	92 - 7
RE50889	1H12	2	20 - 90	RE51672	8E18	9	80 - 11	RE52562	9F18	2	92 - 3
RE50889	8F9	6	80 - 30	RE51797	2G10	7	30 - 74	RE52563	9F18	3	92 - 3
RE50911	8E24	10	80 - 19	RE51797	7E7	6	70 - 25	RE52564	9F18	1	92 - 3
RE50928	8E24	10	80 - 19	RE51962	8E24	10	80 - 19	RE52564	9G6	1	92 - 17
RE50957	5D18	4	53 - 15	RE51963	8E24	10	80 - 19	RE52566	9F18	1	92 - 3
RE51017	8E24	10	80 - 19	RE52026	3I13	1	41 - 3	RE52566	9G6	1	92 - 17
RE51018	8E25	8	80 - 20	RE52028	3I13	3	41 - 3	RE52579	7D15	21	70 - 7
RE51052	8H5	1	90 - 1	RE52087	2E7	17	30 - 25	RE52580	7D15	25	70 - 7
RE51052	8H5	2	90 - 1	RE52109	2E23	17	30 - 37	RE52633	3E14	35	40 - 19
RE51083	9F5	13	91 - 49	RE52109	2F4	11	30 - 43	RE52633	3E16	36	40 - 21
RE51091	3F15	1	40 - 46	RE52110	2F4	8	30 - 43	RE52633	3E25	1	40 - 30
RE51091	3F17	25	40 - 49	RE52113	2E23	17	30 - 37	RE52645	3E2	8	40 - 9
RE51091	3F17	37	40 - 49	RE52113	2F4	11	30 - 43	RE52645	3E8	8	40 - 13
RE51091	3F19	38	40 - 51	RE52114	2F4	8	30 - 43	RE52645	3H5	16	40 - 85
RE51234	3E10	28	40 - 15	RE52128	8E20	11	80 - 15	RE52645	3H7	16	40 - 87
RE51234	3E12	29	40 - 17	RE52228	5D8	13	53 - 5	RE52645	3H9	2	40 - 89
RE51234	3E14	34	40 - 19	RE52242	1I20	22	20 - 123	RE52660	9E4	6	91 - 23
RE51234	3E16	35	40 - 21	RE52242	1I24	22	20 - 127	RE52668	9E16	8	91 - 35
RE51234	3E18	29	40 - 23	RE52242	4G10	27	51 - 39	RE52669	9E16	8	91 - 35
RE51234	3G21	1	40 - 77	RE52242	4I14	27	51 - 91	RE52677	9E16	5	91 - 35
RE51239	3E10	37	40 - 15	RE52277	1E21	9	20 - 27	RE52678	9E16	5	91 - 35
RE51239	3E10	44	40 - 15	RE52319	3D20	4	40 - 3	RE52702	2D15	1	30 - 7
RE51239	3E12	38	40 - 17	RE52319	3D20	6	40 - 3	RE52702	2D15	2	30 - 7
RE51239	3E12	45	40 - 17	RE52319	3D22	2	40 - 5	RE52702	2D15	3	30 - 7
RE51239	3E18	38	40 - 23	RE52319	3D22	5	40 - 5	RE52702	2D15	4	30 - 7
RE51239	3E18	45	40 - 23	RE52319	3D24	5	40 - 7	RE52703	2D11	1	30 - 3
RE51239	4D9	10	42 - 5	RE52319	3E6	6	40 - 11	RE52719	3E8	5	40 - 13
RE51240	3E10	12	40 - 15	RE52319	4F4	10	51 - 7	RE52719	3H9	9	40 - 89
RE51240	3E12	12	40 - 17	RE52319	4F4	12	51 - 7	RE52722	3D24	17	40 - 7
RE51240	3E14	17	40 - 19	RE52319	4G17	2	51 - 46	RE52722	3E6	16	40 - 11
RE51240	3E14	44	40 - 19	RE52319	4G17	6	51 - 46	RE52866	1E8	2	20 - 14
RE51240	3E16	17	40 - 21	RE52319	4H6	10	51 - 59	RE52866	3E2	13	40 - 9
RE51240	3E16	45	40 - 21	RE52319	4H6	25	51 - 59	RE52866	3E2	15	40 - 9
RE51240	3E18	12	40 - 23	RE52319	5D14	7	53 - 11	RE52866	3E8	15	40 - 13
RE51240	4D11	9	42 - 7	RE52321	5E17	3	54 - 4	RE52868	3D20	1	40 - 3
RE51240	4D23	9	42 - 19	RE52341	4G10	16	51 - 39	RE52868	3D20	16	40 - 3
RE51266	3G22	7	40 - 78	RE52341	4I14	16	51 - 91	RE52868	4F8	34	51 - 11
RE51267	3G22	2	40 - 78	RE52341	7D11	8	70 - 3	RE52868	4F12	10	51 - 15
RE51281	1J9	10	20 - 137	RE52427	3I2	3	40 - 107	RE52868	4H14	10	51 - 67
RE51281	6H19	13	60 - 107	RE52434	4D12	5	42 - 8	RE52981	7H23	24	70 - 117
RE51297	3I13	4	41 - 3	RE52454	8H5	2	90 - 1	RE53000	1G6	10	20 - 58
RE51298	3I13	5	41 - 3	RE52504	2G9	2	30 - 73	RE53046	8E10	1	80 - 3
RE51299	3I13	7	41 - 3	RE52506	8H8	1	90 - 4	RE53049	5E24	17	54 - 13
RE51300	3I13	9	41 - 3	RE52507	8H5	2	90 - 1	RE53050	5E24	17	54 - 13
RE51519	2G9	1	30 - 73	RE52507	8H7	1	90 - 3	RE53089	4G17	6	51 - 46
RE51519	3E2	2	40 - 9	RE52508	8H5	2	90 - 1	RE53154	1G6	6	20 - 58
RE51519	3E8	2	40 - 13	RE52508	8H8	3	90 - 4	RE53154	1H17	6	20 - 95
RE51570	7E7	4	70 - 25	RE52509	8H5	2	90 - 1	RE53180	8E10	1	80 - 3
RE51573	4F8	14	51 - 11	RE52509	8H6	1	90 - 2	RE53199	1E12	5	20 - 18
RE51573	4H10	31	51 - 63	RE52510	3E2	3	40 - 9	RE53199	1E12	8	20 - 18
RE51573	6D19	19	60 - 15	RE52510	3E8	3	40 - 13	RE53282	2E7	16	30 - 25
RE51573	6E16	10	60 - 35	RE52510	8H5	2	90 - 1	RE53380	8D13	5	71 - 11
RE51573	6F8	17	60 - 51B	RE52510	8H8	2	90 - 4	RE53380	8D15	21	71 - 13
RE51629	2D11	6	30 - 3	RE52548	9F23	1	92 - 9	RE53662	9G1	9	92 - 12
RE51629	2G10	1	30 - 74	RE52549	9F23	3	92 - 9	RE54017	3E8	5	40 - 13
RE51630	2D11	5	30 - 3	RE52550	3F1	1	40 - 31	RE54017	3H9	9	40 - 89
RE51630	2G10	2	30 - 74	RE52550	9F23	5	92 - 9	RE54029	7E11	16	70 - 31
RE51631	2D13	1	30 - 5	RE52551	9F23	7	92 - 9	RE54058	7H16	7	70 - 109
RE51649	2E15	5	30 - 31	RE52552	9F23	2	92 - 9	RE54077	2E15	5	30 - 31
RE51649	2E17	9	30 - 31B	RE52553	9F23	4	92 - 9	RE54077	2E17	4	30 - 31B
RE51649	2F18	9	30 - 55	RE52554	9F23	6	92 - 9	RE54077	2E17	11	30 - 31B
RE51650	2E15	9	30 - 31	RE52555	9F21	9	92 - 7	RE54077	2F18	3	30 - 55
RE51650	2E17	10	30 - 31B	RE52557	9F21	1	92 - 7	RE54077	2F18	4	30 - 55
RE51650	2F18	10	30 - 55	RE52558	9F21	2	92 - 7	RE54077	2F18	11	30 - 55

1K13

8100, 8200, 8300, 8400 TRACTORS

NUMERICAL INDEX - CONTINUED

PART NO.	GRID	KEY	PAGE	PART NO.	GRID	KEY	PAGE	PART NO.	GRID	KEY	PAGE
RE54077	2F18	12	30-55	RE54602	6H13	16	60-101	RE55478	3E10	26	40-15
RE54244	2E19	2	30-33	RE54602	6H15	15	60-103	RE55478	3E12	26	40-17
RE54244	2E21	2	30-35	RE54602	6H17	15	60-105	RE55478	3E14	30	40-19
RE54244	2F6	10	30-45	RE54603	6H19	2	60-107	RE55478	3E16	30	40-21
RE54244	2G3	2	30-67	RE54603	6H23	14	60-109	RE55478	3E18	26	40-23
RE54244	2G5	10	30-69	RE54603	6H25	14	60-111	RE55478	3F17	15	40-49
RE54245	2E19	3	30-33	RE54802	9F1	10	91-46	RE55478	3F19	15	40-51
RE54245	2E21	3	30-35	RE54802	9F2	6	91-47	RE55516	3D24	15	40-7
RE54245	2F6	12	30-45	RE54802	9F5	1	91-49	RE55516	3E6	14	40-11
RE54245	2G3	3	30-67	RE54802	9F7	36	91-51	RE55522	1G1	2	20-55
RE54245	2G5	12	30-69	RE54802	9F11	52	91-53B	RE55522	1G1	6	20-55
RE54368	1F13	3	20-42A	RE54810	3E22	..	40-27	RE55522	1H15	2	20-93
RE54368	1G25	3	20-78A	RE54810	6G8	22	60-71	RE55522	1H15	6	20-93
RE54400	7H21	19	70-115	RE54810	9E25	6	91-45	RE55542	2D23	9	30-15
RE54416	3I14	11	41-4	RE54810	9F1	9	91-46	RE55542	2E2	9	30-19
RE54416	3I18	..	41-7	RE54816	8E18	17	80-11	RE55580	4F23	5	51-27
RE54453	5D25	1	53-22	RE54925	1I15	3	20-117	RE55581	4G2	6	51-31
RE54573	6H15	19	60-103	RE54925	1I17	3	20-119	RE55581	4I6	6	51-83
RE54573	6H17	19	60-105	RE54927	1I15	4	20-117	RE55662	2F8	11	30-47
RE54575	6G18	10	60-81	RE54927	1I17	4	20-119	RE55737	8F10	7	80-31
RE54575	6H11	5	60-99	RE54928	1I15	5	20-117	RE55737	8F10	9	80-31
RE54575	6H15	6	60-103	RE54928	1I17	5	20-119	RE55859	7I20	10	70-139
RE54575	6H15	14	60-103	RE54930	1I15	15	20-117	RE55859	7I22	7	70-141
RE54577	6G22	5	60-85	RE54930	1I17	15	20-119	RE55859	7I24	3	70-143
RE54578	6G20	9	60-83	RE54930	7E1	6	70-19	RE55891	3I2	1	40-107
RE54578	6G22	9	60-85	RE54979	2D17	1	30-9	RE55941	7I22	8	70-141
RE54578	6H4	6	60-91	RE54979	2D19	2	30-11	RE55955	6G14	29	60-77
RE54578	6H6	6	60-93	RE55025	5D6	13	53-3	RE55955	6H4	3	60-91
RE54578	6H8	6	60-95	RE55036	3E10	19	40-15	RE55976	3I4	1	40-109
RE54578	6H15	4	60-103	RE55036	3E12	19	40-17	RE55992	1I6	5	20-108A
RE54578	6H15	16	60-103	RE55036	3E14	23	40-19	RE55999	3I22	2	41-12
RE54578	6H17	16	60-105	RE55036	3E16	23	40-21	RE55999	9E21	3	91-40
RE54579	6G20	1	60-83	RE55036	3E18	19	40-23	RE56009	1E8	1	20-14
RE54579	6G20	5	60-83	RE55036	3F17	6	40-49	RE56009	3E2	15	40-9
RE54579	6G20	10	60-83	RE55036	3F19	6	40-51	RE56009	3E8	15	40-13
RE54579	6G22	1	60-85	RE55071	8E22	11	80-17	RE56009	3F20	4	40-52
RE54579	6H4	1	60-91	RE55071	8E25	3	80-20	RE56014	5E22	11	54-10
RE54579	6H6	1	60-93	RE55150	3E20	1	40-25	RE56053	3E2	20	40-9
RE54579	6H8	1	60-95	RE55150	4D18	2	42-14	RE56053	3I14	11	41-4
RE54579	6H11	11	60-99	RE55151	3E20	4	40-25	RE56053	3I18	..	41-7
RE54579	6H13	13	60-101	RE55151	4D18	2	42-14	RE56053	3I19	6	41-8
RE54579	6H15	5	60-103	RE55358	2D13	3	30-5	RE56053	3I19	7	41-8
RE54579	6H15	17	60-103	RE55363	6H9	4	60-97	RE56053	3I19	8	41-8
RE54579	6H17	5	60-105	RE55367	9D20	6	91-15	RE56053	3I23	5	41-13
RE54579	6H17	17	60-105	RE55461	5D10	10	53-7	RE56098	1I11	34	20-113
RE54581	6H11	4	60-99	RE55468	3E10	39	40-15	RE56116	9F21	3	92-7
RE54581	6H13	12	60-101	RE55468	3E14	46	40-19	RE56165	3D24	9	40-7
RE54581	6H15	9	60-103	RE55468	3G25	1	40-81	RE56165	3E6	9	40-11
RE54581	6H17	9	60-105	RE55475	1F11	19	20-41	RE56165	7E11	10	70-31
RE54582	6G18	2	60-81	RE55475	1G21	11	20-75	RE56234	3I2	14	40-107
RE54582	6H13	11	60-101	RE55475	1G23	19	20-77	RE56235	3I4	8	40-109
RE54582	6H15	10	60-103	RE55475	1I9	11	20-111	RE56237	2D19	2	30-11
RE54582	6H17	10	60-105	RE55476	3E10	17	40-15	RE56273	3E22	6	40-27
RE54583	6G20	4	60-83	RE55476	3E12	17	40-17	RE56284	4D8	5	42-4
RE54583	6H15	13	60-103	RE55476	3E14	21	40-19	RE56284	4D14	1	42-10
RE54583	6H17	13	60-105	RE55476	3E16	21	40-21	RE56284	8G6	4	80-53
RE54601	6G20	2	60-83	RE55476	3E18	17	40-23	RE56317	8E24	10	80-19
RE54601	6G20	6	60-83	RE55476	3F17	2	40-49	RE56319	6E14	2	60-33
RE54601	6G20	8	60-83	RE55476	3F19	2	40-51	RE56362	3F25	11	40-57
RE54601	6G22	6	60-85	RE55476	9E23	4	91-43	RE56400	3F23	12	40-55
RE54601	6H4	2	60-91	RE55477	3E10	18	40-15	RE56488	2E2	4	30-19
RE54601	6H6	2	60-93	RE55477	3E12	18	40-17	RE56493	1E10	1	20-16
RE54601	6H8	2	60-95	RE55477	3E14	22	40-19	RE56493	1F24	1	20-53
RE54601	6H11	12	60-99	RE55477	3E16	22	40-21	RE56493	1H13	1	20-91
RE54602	6G18	1	60-81	RE55477	3E18	18	40-23	RE56629	6F22	5A	60-65
RE54602	6G18	11	60-81	RE55477	3F17	4	40-49	RE56716	7D23	24	70-15
RE54602	6H11	3	60-99	RE55477	3F19	4	40-51	RE56717	7I16	1	70-135

NUMERICAL INDEX - CONTINUED

PART NO.	GRID	KEY	PAGE	PART NO.	GRID	KEY	PAGE	PART NO.	GRID	KEY	PAGE
RE56773	3G2	12	40-59	RE57483	3I18	..	41-7	RE57892	3E14	38	40-19
RE56950	3D24	7	40-7	RE57498	1J7	1	20-135	RE57892	3E16	39	40-21
RE56950	3E6	7	40-11	RE57498	1J9	1	20-137	RE57892	3E18	32	40-23
RE56950	4G18	1	51-47	RE57498	6H19	11	60-107	RE57892	3G23	2	40-79
RE56950	5D14	20	53-11	RE57501	2F22	1	30-59	RE57962	8G3	6	80-50
RE57050	8E24	10	80-19	RE57501	3G16	15	40-72A	RE58025	9F18	7	92-3
RE57054	1D22	3	20-9	RE57512	1E14	8	20-20	RE58025	9F25	9	92-11
RE57054	1F16	3	20-45	RE57512	1E14	10	20-20	RE58029	3G10	16	40-67
RE57054	1H3	3	20-81	RE57517	1E14	8	20-20	RE58032	9F21	8	92-7
RE57073	2G3	13	30-67	RE57519	5E10	3	53-33	RE58084	9F18	1	92-3
RE57146	2F20	7	30-57	RE57519	7F6	16	70-51	RE58224	3F25	16	40-57
RE57147	2F20	5	30-57	RE57520	7D11	14	70-3	RE58243	7J2	22	70-145
RE57148	2F20	4	30-57	RE57524	2E25	1	30-39	RE58267	5E21	11	54-9
RE57149	2F20	3	30-57	RE57524	2F12	1	30-49B	RE58294	1G16	1	20-69
RE57150	2F20	2	30-57	RE57524	3G16	15	40-72A	RE58294	1I2	1	20-105
RE57151	2F20	1	30-57	RE57525	2E25	1	30-39	RE58294	2D23	13	30-15
RE57152	2F8	14	30-47	RE57525	2F12	1	30-49B	RE58294	2E2	13	30-19
RE57152	2F16	5	30-53	RE57525	3G16	15	40-72A	RE58311	3E24	9	40-29
RE57152	2F16	13	30-53	RE57526	2E25	1	30-39	RE58311	3G14	14	40-71
RE57153	2F16	10	30-53	RE57526	2F12	1	30-49B	RE58312	3E24	5	40-29
RE57154	1G18	9	20-71	RE57526	3G16	15	40-72A	RE58312	3H13	11	40-93
RE57154	1I6	9	20-108A	RE57530	2D23	2	30-15	RE58318	8D13	45	71-11
RE57165	1G6	7	20-58	RE57530	2E2	2	30-19	RE58324	8D19	6	71-17
RE57165	1H17	7	20-95	RE57548	7J6	6	70-149	RE58350	1F4	6	20-36
RE57167	1G3	7	20-55B	RE57548	7J8	6	70-151	RE58356	1F4	6	20-36
RE57170	1G3	3	20-55B	RE57553	6G20	3	60-83	RE58362	1I15	1	20-117
RE57170	1G5	3	20-57	RE57554	6H4	4	60-91	RE58362	1I17	1	20-119
RE57170	1H18	3	20-96	RE57554	6H6	4	60-93	RE58376	2E15	8	30-31
RE57172	1G2	3	20-55A	RE57554	6H8	4	60-95	RE58376	2E17	3	30-31B
RE57172	1H18	3	20-96	RE57555	6H4	5	60-91	RE58376	2F18	3	30-55
RE57173	1H18	3	20-96	RE57555	6H6	5	60-93	RE58376	2F18	11	30-55
RE57175	1G3	5	20-55B	RE57555	6H8	5	60-95	RE58382	6G18	5	60-81
RE57175	1G5	2	20-57	RE57556	6H11	6	60-99	RE58382	6H13	10	60-101
RE57175	1H18	2	20-96	RE57571	3E14	13	40-19	RE58382	6H19	10	60-107
RE57177	1G2	5	20-55A	RE57571	8H20	15	90-17	RE58382	6H23	6	60-109
RE57177	1H18	2	20-96	RE57574	8H20	23	90-17	RE58382	6H25	6	60-111
RE57178	1H18	2	20-96	RE57575	8H12	2	90-9	RE58382	6I2	9	60-113
RE57181	1H7	1	20-85	RE57575	8H20	22	90-17	RE58382	6I4	5	60-115
RE57184	2E2	4	30-19	RE57575	8H20	23	90-17	RE58386	6H19	1	60-107
RE57184	2E3	1	30-20	RE57594	6D9	12	60-5	RE58409	5D14	30	53-11
RE57185	2E3	1	30-20	RE57603	1F25	3	20-54	RE58409	7E7	22	70-25
RE57186	1G21	19	20-75	RE57603	1H14	3	20-92	RE58409	7F2	8	70-47
RE57186	1I9	19	20-111	RE57632	1F13	1	20-42A	RE58409	7F4	8	70-49
RE57187	1G21	38	20-75	RE57632	1G25	1	20-78A	RE58479	6H9	2	60-97
RE57187	1I9	38	20-111	RE57644	8E14	15	80-7	RE58495	8E16	1	80-9
RE57188	1G6	8	20-58	RE57653	4G10	2	51-39	RE58508	7F20	11	70-65
RE57188	1H17	8	20-95	RE57653	4I14	2	51-91	RE58508	7F22	11	70-67
RE57189	1H17	10	20-95	RE57696	3F17	16	40-49	RE58509	7F20	12	70-65
RE57190	1G18	1	20-71	RE57696	3F19	16	40-51	RE58516	1D18	18	20-5
RE57190	1I6	1	20-108A	RE57697	3E14	6	40-19	RE58516	1F6	19	20-37A
RE57372	1F9	10	20-39A	RE57697	3F17	19	40-49	RE58533	8F6	1	80-27
RE57372	1F9	11	20-39A	RE57697	3F19	19	40-51	RE58548	3E24	17	40-29
RE57372	1F9	12	20-39A	RE57744	3E24	1	40-29	RE58563	2D17	1	30-9
RE57372	1F9	13	20-39A	RE57744	3H13	3	40-93	RE58581	6F6	2	60-51
RE57372	2E25	10	30-39	RE57750	1F11	18	20-41	RE58592	3E2	7	40-9
RE57372	2E25	11	30-39	RE57750	1G23	18	20-77	RE58592	3E2	8	40-9
RE57372	2E25	12	30-39	RE57815	6D17	1	60-13	RE58592	3H5	5	40-85
RE57372	2E25	13	30-39	RE57817	6D14	2	60-10	RE58592	3H7	5	40-87
RE57373	2F22	10	30-59	RE57817	6D15	2	60-11	RE58593	3E8	14	40-13
RE57394	1E23	13	20-29	RE57818	9G1	1	92-12	RE58593	4D13	14	42-9
RE57394	1G16	9	20-69	RE57819	9G1	7	92-12	RE58598	3E2	14	40-9
RE57394	1I2	9	20-105	RE57820	9G1	11	92-12	RE58605	8E14	13	80-7
RE57394	2G10	3	30-74	RE57843	7E3	6	70-21	RE58606	8E14	13	80-7
RE57402	4F23	1	51-27	RE57849	2G7	16	30-71	RE58614	3F17	14	40-49
RE57402	4G14	1	51-43	RE57850	2G7	14	30-71	RE58614	3F19	14	40-51
RE57420	1D24	..	20-11	RE57892	3E10	31	40-15	RE58614	8H20	33	90-17
RE57483	3I16	10	41-5	RE57892	3E12	32	40-17	RE58619	4D11	6	42-7

1K15

8100, 8200, 8300, 8400 TRACTORS

NUMERICAL INDEX - CONTINUED

PART NO.	GRID	KEY	PAGE	PART NO.	GRID	KEY	PAGE	PART NO.	GRID	KEY	PAGE
RE58619	4D13	13	42-9	RE60476	3F20	6	40-52	RE60644	9D12	3	91-7
RE58619	4D23	6	42-19	RE60477	3E10	27	40-15	RE60647	3E20	5	40-25
RE58639	5F2	19	54-15	RE60477	3F17	32	40-49	RE60647	4D18	5	42-14
RE58639	5F4	23	54-17	RE60477	3F19	33	40-51	RE60647	4D19	1	42-15
RE58646	5F2	17	54-15	RE60477	3F20	6	40-52	RE60649	1I11	6	20-113
RE58680	7E5	28	70-23	RE60504	1I15	8	20-117	RE60658	3G10	20	40-67
RE58689	4D25	18	42-21	RE60504	1I17	8	20-119	RE60659	3G6	10	40-63
RE58693	8E16	3	80-9	RE60512	7F24	42	70-69	RE60659	3G8	10	40-65
RE58702	8E18	9	80-11	RE60529	6E22	1	60-41	RE60667	9F13	1	91-55
RE58706	8H10	12	90-7	RE60529	6F24	..	60-67	RE60674	6G8	4	60-71
RE58715	9F9	14	91-53	RE60531	6E18	7	60-37	RE60675	6F6	1	60-51
RE58718	3I6	3	40-111	RE60531	6F24	7	60-67	RE60676	6F6	5	60-51
RE58719	3I6	5	40-111	RE60531	6G3	7	60-69B	RE60677	6F8	1	60-51B
RE58723	9D10	5	91-5	RE60532	6F1	1A	60-45	RE60678	6F8	2	60-51B
RE58729	8H10	14	90-7	RE60534	6E20	36	60-39	RE60679	6D19	22	60-15
RE58763	6G14	6	60-77	RE60534	6F1	5A	60-45	RE60680	7E3	7	70-21
RE58763	7I20	5	70-139	RE60535	6E24	1	60-43	RE60681	6D19	21	60-15
RE58780	1G3	9	20-55B	RE60537	3E10	15	40-15	RE60684	8H10	16	90-7
RE58781	1G2	9	20-55A	RE60537	3F7	10	40-37	RE60685	8H10	15	90-7
RE58782	3D24	6	40-7	RE60537	3F7	..	40-37	RE60686	4G22	3	51-51
RE58782	3E6	5	40-11	RE60537	3F12	9	40-43	RE60687	4E24	7	51-3
RE58782	3G14	14	40-71	RE60538	3E14	19	40-19	RE60687	4H2	7	51-55
RE58827	3F14	7	40-45	RE60538	3F7	10	40-37	RE60694	9D12	24	91-7
RE58828	8H10	13	90-7	RE60538	3F13	9	40-44	RE60701	6G12	13	60-75
RE58858	7I22	29	70-141	RE60540	3H11	12	40-91	RE60708	6E25	1	60-44
RE58869	7H12	3	70-105	RE60541	3D20	19	40-3	RE60708	6F24	..	60-67
RE58869	7H12	15	70-105	RE60541	3D24	13	40-7	RE60717	9F23	8	92-9
RE58873	2G9	3	30-73	RE60541	3E2	1	40-9	RE60726	3H17	5	40-97
RE58878	6D16	2	60-12	RE60541	4D13	8	42-9	RE60765	4D8	3	42-4
RE58881	2E15	12	30-31	RE60541	4D13	10	42-9	RE60765	4D10	5	42-6
RE58883	8F10	1	80-31	RE60542	3D20	1	40-3	RE60765	4D12	2	42-8
RE58974	7E7	25	70-25	RE60546	1G12	2	20-64	RE60765	4D12	11	42-8
RE58976	6E10	3	60-29	RE60546	1H22	2	20-101	RE60765	4D20	1	42-16
RE58978	6E10	2	60-29	RE60559	2E15	1	30-31	RE60765	4D22	3	42-18
RE58978	6E12	1	60-31	RE60561	6D15	3	60-11	RE60815	6E18	1	60-37
RE58979	6E10	2	60-29	RE60562	6D14	3	60-10	RE60815	6E20	1	60-39
RE58979	6E12	1	60-31	RE60577	2F12	21	30-49B	RE60821	8F21	1	80-42
RE58988	8G22	1	80-69	RE60577	2F22	21	30-59	RE60822	8F21	1	80-42
RE58989	8G20	1	80-67	RE60586	3G2	1	40-59	RE60823	8F22	1	80-43
RE59589	3I14	11	41-4	RE60587	3G2	5	40-59	RE60824	8F22	1	80-43
RE59589	3I18	..	41-7	RE60588	3E10	42	40-15	RE60825	2E5	5	30-23
RE60265	7G24	15	70-95	RE60588	6D7	1	60-3	RE60826	2E5	3	30-23
RE60265	7H2	15	70-97	RE60589	3E14	50	40-19	RE60827	2E5	6	30-23
RE60267	7D15	1	70-7	RE60589	6D7	1	60-3	RE60828	2E5	7	30-23
RE60275	7D15	2	70-7	RE60590	7D23	13	70-15	RE60847	6E4	3	60-23
RE60276	7D15	28	70-7	RE60601	9F18	4	92-3	RE60848	6G8	15	60-71
RE60294	1E6	1	20-13D	RE60602	9F18	5	92-3	RE60849	6G14	5	60-77
RE60294	1E14	10	20-20	RE60619	7F2	2	70-47	RE60850	2G7	26	30-71
RE60302	8H18	4	90-15	RE60619	7F4	2	70-49	RE60851	7E7	11	70-25
RE60319	3F25	13	40-57	RE60622	1G11	15	20-63	RE60852	7F2	4	70-47
RE60319	3F25	14	40-57	RE60622	1H24	15	20-103	RE60852	7F4	4	70-49
RE60320	4F16	3	51-19	RE60623	7F2	11	70-47	RE60857	9E14	3	91-33
RE60320	4H18	3	51-71	RE60623	7F4	11	70-49	RE60861	5E7	2	53-30
RE60321	2G9	9	30-73	RE60627	4D8	6	42-4	RE60862	5E7	3	53-30
RE60323	6E10	6	60-29	RE60628	4D8	6	42-4	RE60865	9E14	16	91-33
RE60328	1G6	8	20-58	RE60629	3G12	4	40-69	RE60866	7H23	16	70-117
RE60328	1H17	10	20-95	RE60630	3G6	11	40-63	RE60867	6D23	1	60-18
RE60349	5E10	2	53-33	RE60631	3G8	12	40-65	RE60867	6D23	7	60-18
RE60389	3H11	1	40-91	RE60632	3E2	26	40-9	RE60868	6D23	1	60-18
RE60446	6F22	1	60-65	RE60632	3E4	26	40-9B	RE60868	6D23	7	60-18
RE60458	1E2	1	20-13	RE60632	3E8	26	40-13	RE60868	6G10	15	60-73
RE60467	5E6	3	53-29	RE60633	3E2	24	40-9	RE60872	6H23	13	60-109
RE60468	6F22	13	60-65	RE60633	3E4	24	40-9B	RE60872	6H25	13	60-111
RE60468	6F24	1	60-67	RE60633	3E8	24	40-13	RE60873	7H23	15	70-117
RE60476	3E10	27	40-15	RE60633	4D16	23	42-12	RE60874	7H23	1	70-117
RE60476	3F17	32	40-49	RE60633	4D17	14	42-13	RE60874	7I10	24	70-129
RE60476	3F19	33	40-51	RE60634	3F8	2	40-39	RE60876	6H23	25	60-109

1K16

8100, 8200, 8300, 8400 TRACTORS

NUMERICAL INDEX - CONTINUED

PART NO.	GRID	KEY	PAGE	PART NO.	GRID	KEY	PAGE	PART NO.	GRID	KEY	PAGE
RE60880	6F24	3	60-67	RE60955	3F19	33	40-51	RE61168	2D11	3	30-3
RE60882	6F25	1	60-68	RE60955	3F20	6	40-52	RE61175	2E7	4	30-25
RE60883	6H23	16	60-109	RE60956	3G14	3	40-71	RE61181	7H23	14	70-117
RE60883	6H25	16	60-111	RE60957	3G14	4	40-71	RE61181	7H25	12	70-119
RE60885	6H23	15	60-109	RE60959	3G14	3	40-71	RE61183	3E10	2	40-15
RE60885	6H25	15	60-111	RE60959	3G14	4	40-71	RE61183	3E12	2	40-17
RE60886	6H23	7	60-109	RE60969	6F6	25	60-51	RE61183	3E14	2	40-19
RE60886	6H25	7	60-111	RE60974	3G14	10	40-71	RE61183	3E16	2	40-21
RE60887	3E10	21	40-15	RE60998	9F7	14	91-51	RE61183	3E18	2	40-23
RE60887	3E12	21	40-17	RE60998	9F9	21	91-53	RE61183	3G17	2	40-73
RE60887	3E14	25	40-19	RE61043	8F8	1	80-29	RE61184	3F20	5	40-52
RE60887	3E16	25	40-21	RE61046	6D14	1	60-10	RE61185	3F20	4	40-52
RE60887	3E18	21	40-23	RE61047	6D15	1	60-11	RE61186	3F20	2	40-52
RE60887	8H12	16	90-9	RE61051	4F16	5	51-19	RE61187	3F20	5	40-52
RE60888	3E10	20	40-15	RE61051	4H18	5	51-71	RE61188	3F20	4	40-52
RE60888	3E12	20	40-17	RE61051	9D12	7	91-7	RE61189	3F20	2	40-52
RE60888	3E14	24	40-19	RE61052	7H10	7	70-103	RE61201	3E20	2	40-25
RE60888	3E16	24	40-21	RE61060	8F12	12	80-33	RE61201	4D20	5	42-16
RE60888	3E18	20	40-23	RE61061	8F12	12	80-33	RE61207	7F15	2A	70-60
RE60888	8H12	15	90-9	RE61062	8F12	6	80-33	RE61217	5E24	8	54-13
RE60889	6I2	4	60-113	RE61063	8F12	6	80-33	RE61217	5G6	..	54-43
RE60891	7I10	21	70-129	RE61064	8F12	8	80-33	RE61220	1I15	19A	20-117
RE60891	7I10	26	70-129	RE61071	2G1	1	30-65	RE61220	1I17	19A	20-119
RE60891	7I10	41	70-129	RE61071	7E1	1	70-19	RE61236	1I20	33	20-123
RE60891	7I12	1	70-131	RE61087	3E2	20	40-9	RE61236	1I24	33	20-127
RE60892	7H23	35	70-117	RE61087	3I16	10	41-5	RE61239	5E19	1	54-6
RE60892	7H23	36	70-117	RE61087	3I16	12	41-5	RE61243	3E2	27	40-9
RE60892	7H23	37	70-117	RE61088	8F20	1	80-41	RE61243	3E4	27	40-9B
RE60892	7H25	1	70-119	RE61089	8F20	1	80-41	RE61243	3E8	27	40-13
RE60893	7I2	5	70-121	RE61100	9E16	1	91-35	RE61243	4D15	2	42-11
RE60893	7I10	9	70-129	RE61107	3G6	4	40-63	RE61244	3E2	28	40-9
RE60894	7H25	5	70-119	RE61119	3D24	8	40-7	RE61244	3E4	28	40-9B
RE60894	7I4	4	70-123	RE61119	3E6	8	40-11	RE61244	3E8	28	40-13
RE60894	7I12	2	70-131	RE61119	7I2	9	70-121	RE61244	4D15	2	42-11
RE60897	4F16	4	51-19	RE61119	7I10	5	70-129	RE61248	5F2	16	54-15
RE60897	4H18	4	51-71	RE61120	7I10	33	70-129	RE61249	5F2	22	54-15
RE60898	6I6	9	60-117	RE61121	7H21	11	70-115	RE61253	1G3	4	20-55B
RE60902	7H14	6	70-107	RE61127	9E14	16	91-33	RE61253	1G5	1	20-57
RE60903	7H14	7	70-107	RE61132	7E7	10	70-25	RE61253	1H18	1	20-96
RE60911	7H14	9	70-107	RE61133	7D23	7	70-15	RE61254	8F24	2	80-45
RE60913	7H14	9	70-107	RE61134	7D23	20	70-15	RE61255	8F24	2	80-45
RE60916	7H14	4	70-107	RE61135	6F6	19	60-51	RE61267	1G3	9	20-55B
RE60918	7H14	3	70-107	RE61136	4G20	1	51-49	RE61268	1G2	9	20-55A
RE60919	7H14	15	70-107	RE61137	8H10	2	90-7	RE61274	4F8	21	51-11
RE60927	3E10	27	40-15	RE61138	8H10	1	90-7	RE61274	4H10	21	51-63
RE60927	3F17	32	40-49	RE61139	7E3	4	70-21	RE61282	7G24	10	70-95
RE60927	3F19	33	40-51	RE61140	7E3	5	70-21	RE61300	6F6	15	60-51
RE60927	3F20	6	40-52	RE61141	6E4	10	60-23	RE61305	1I15	1	20-117
RE60928	3E10	22	40-15	RE61141	6E6	10	60-25	RE61305	1I17	1	20-119
RE60928	3E14	12	40-19	RE61142	6E4	11	60-23	RE61306	1I17	1	20-119
RE60928	3F17	36	40-49	RE61142	6E6	11	60-25	RE61307	1I15	2	20-117
RE60928	3F20	13	40-52	RE61144	7E3	2	70-21	RE61307	1I17	2	20-119
RE60929	3E10	36	40-15	RE61145	7E3	3	70-21	RE61307	2D15	8	30-7
RE60929	3E14	43	40-19	RE61146	8H10	5	90-7	RE61308	7I20	20	70-139
RE60929	3H12	2	40-92	RE61147	8H10	6	90-7	RE61318	7I8	1	70-127
RE60929	9D24	8	91-19	RE61148	2G7	9	30-71	RE61318	7I10	42	70-129
RE60931	6H11	13	60-99	RE61152	8G3	5	80-50	RE61319	7I20	17	70-139
RE60932	6I2	8	60-113	RE61155	7H10	16	70-103	RE61319	7I22	9	70-141
RE60933	7H23	30	70-117	RE61155	7H16	16	70-109	RE61321	7H19	6	70-113
RE60933	7H25	7	70-119	RE61156	7H12	1	70-105	RE61322	7I8	1	70-127
RE60933	7I10	38	70-129	RE61157	8H12	9	90-9	RE61323	7I20	1	70-139
RE60933	7I12	4	70-131	RE61158	8H12	4	90-9	RE61332	2D11	7	30-3
RE60934	6H15	21	60-103	RE61164	3E2	5	40-9	RE61336	6G14	8	60-77
RE60937	6I2	10	60-113	RE61164	4D12	6	42-8	RE61340	7I22	5	70-141
RE60938	8F24	9	80-45	RE61165	3E2	14	40-9	RE61344	3D20	7	40-3
RE60955	3E14	31	40-19	RE61165	4D12	17	42-8	RE61344	3D20	11	40-3
RE60955	3F17	32	40-49	RE61167	2D11	3	30-3	RE61344	3D20	12	40-3

NUMERICAL INDEX - CONTINUED

PART NO.	GRID	KEY	PAGE	PART NO.	GRID	KEY	PAGE	PART NO.	GRID	KEY	PAGE
RE61346	9G8	1	92-19	RE61576	6E8	3	60-27	RE61802	8H21	1	90-18
RE61388	6H4	10	60-91	RE61577	6F6	14	60-51	RE61813	2G7	10	30-71
RE61391	6H4	7	60-91	RE61578	6E6	4	60-25	RE61814	2G7	12	30-71
RE61394	1I13	5	20-115	RE61578	6E8	4	60-27	RE61851	1G2	4	20-55A
RE61395	6G14	42	60-77	RE61593	2F8	14	30-47	RE61851	1H18	1	20-96
RE61401	5E24	4	54-13	RE61593	2F16	5	30-53	RE61879	1I11	16	20-113
RE61401	5G6	3	54-43	RE61593	2F16	13	30-53	RE61919	6H25	24	60-111
RE61401	5G6	..	54-43	RE61593	2F20	17	30-57	RE62025	9E18	16	91-37
RE61402	5E24	3	54-13	RE61593	2F25	11	30-62	RE62025	9E20	16	91-39
RE61402	5G6	3	54-43	RE61593	2F25	12	30-62	RE62060	6D20	1	60-16
RE61402	5G6	..	54-43	RE61593	2F25	13	30-62	RE62060	6D21	1	60-17
RE61403	3F4	4	40-34	RE61600	3H11	1	40-91	RE62063	9F25	4	92-11
RE61404	3F14	2	40-45	RE61622	7D23	28A	70-15	RE62063	9F25	16	92-11
RE61409	1I20	9	20-123	RE61623	6G8	20	60-71	RE62064	9F25	5	92-11
RE61409	1I24	9	20-127	RE61648	3H22	5	40-103	RE62066	5E21	2	54-9
RE61418	9D16	6	91-11	RE61650	3H22	10	40-103	RE62066	7D11	2	70-3
RE61419	3E10	38	40-15	RE61651	3H19	9	40-99	RE62107	8F13	1	80-34
RE61419	3E12	39	40-17	RE61651	3H22	3	40-103	RE62130	6D9	2	60-5
RE61419	3E14	47	40-19	RE61652	7D23	31A	70-15	RE62145	4D16	10	42-12
RE61419	3E16	48	40-21	RE61652	7D23	34	70-15	RE62146	4D16	13	42-12
RE61419	3E18	39	40-23	RE61658	2F22	10	30-59	RE62163	3E10	7	40-15
RE61419	8H16	15	90-13	RE61659	1I11	2	20-113	RE62163	3E12	7	40-17
RE61441	1I20	24	20-123	RE61660	2G7	20	30-71	RE62163	3E14	6	40-19
RE61441	1I24	24	20-127	RE61665	2E15	11	30-31	RE62163	3E16	6	40-21
RE61447	8D15	46	71-13	RE61673	1I11	42	20-113	RE62163	3E18	7	40-23
RE61449	8D15	14	71-13	RE61674	1I11	42	20-113	RE62163	3F17	19	40-49
RE61450	8D15	31	71-13	RE61675	3G14	10	40-71	RE62163	3F19	19	40-51
RE61451	8D15	6	71-13	RE61689	6F22	9	60-65	RE62188	6F6	7	60-51
RE61452	8D15	5	71-13	RE61693	2F6	13	30-45	RE62191	6D19	8	60-15
RE61453	8D15	52	71-13	RE61693	2G3	4	30-67	RE62192	9F13	1	91-55
RE61454	8D15	60	71-13	RE61693	2G5	13	30-69	RE62204	8E12	1	80-5
RE61455	8D15	60	71-13	RE61699	7J6	20	70-149	RE62205	8E10	1	80-3
RE61456	8D15	26	71-13	RE61717	3E10	41	40-15	RE62250	6F14	18	60-57
RE61460	8D15	41	71-13	RE61717	3E12	42	40-17	RE62250	6I6	1	60-117
RE61463	8D15	30	71-13	RE61717	3E14	49	40-19	RE62255	2D19	7	30-11
RE61464	8D15	49	71-13	RE61717	3E16	50	40-21	RE62297	9E20	23	91-39
RE61477	8E12	1	80-5	RE61717	3E18	42	40-23	RE62300	3E25	1	40-30
RE61498	8D15	52	71-13	RE61717	3F21	10	40-53	RE62300	8G6	14	80-53
RE61501	7F22	12	70-67	RE61740	9G8	9	92-19	RE62312	9E20	1	91-39
RE61507	7H14	19	70-107	RE61744	4D17	6	42-13	RE62341	4G22	1	51-51
RE61511	7H12	3	70-105	RE61745	6E6	2	60-25	RE62345	2E19	7	30-33
RE61512	7H12	15	70-105	RE61745	6E8	2	60-27	RE62345	2F1	..	30-40
RE61513	7H12	11	70-105	RE61746	6E6	1	60-25	RE62345	2G3	7	30-67
RE61514	7F14	1	70-59	RE61746	6E8	1	60-27	RE62358	4G6	18	51-35
RE61515	7F14	1	70-59	RE61754	8F6	6	80-27	RE62358	4G8	36	51-37
RE61516	3I14	11	41-4	RE61755	8F6	4	80-27	RE62399	3F25	13	40-57
RE61520	4D25	19	42-21	RE61760	3I2	9	40-107	RE62399	3F25	14	40-57
RE61543	6D24	1	60-19	RE61760	3I2	10	40-107	RE62423	2E15	8	30-31
RE61545	3E10	35	40-15	RE61760	3I4	2	40-109	RE62423	2F18	3	30-55
RE61545	3E12	36	40-17	RE61760	3I4	4	40-109	RE62423	2F18	11	30-55
RE61545	3E14	42	40-19	RE61764	6D21	1	60-17	RE62489	6G14	45	60-77
RE61545	3E16	43	40-21	RE61779	3I6	10	40-111	RE62489	8F20	9	80-41
RE61545	3E18	36	40-23	RE61786	3E2	29	40-9	RE62507	7F2	4	70-47
RE61545	3H18	2	40-98	RE61786	3E4	29	40-9B	RE62507	7F4	4	70-49
RE61545	3H19	6	40-99	RE61786	3E8	29	40-13	RE62508	7I16	2	70-135
RE61546	3E10	32	40-15	RE61786	4D17	2	42-13	RE62529	3H5	10	40-85
RE61546	3E12	33	40-17	RE61786	4D17	3	42-13	RE62529	3H7	10	40-87
RE61546	3E14	39	40-19	RE61789	9F25	5	92-11	RE62555	6G14	8	60-77
RE61546	3E16	40	40-21	RE61790	9F25	4	92-11	RE62561	3F25	5	40-57
RE61546	3E18	33	40-23	RE61791	6G14	21	60-77	RE62561	3G4	3	40-61
RE61546	3H18	2	40-98	RE61791	6G14	44	60-77	RE62562	4G14	16	51-43
RE61546	3H19	6	40-99	RE61791	7I24	2	70-143	RE62562	4I18	16	51-95
RE61546	3H20	2	40-100	RE61795	8F18	1	80-39	RE62562	6E4	19B	60-23
RE61558	1I20	25	20-123	RE61796	8F18	1	80-39	RE62562	6E6	19B	60-25
RE61558	1I24	25	20-127	RE61797	6D16	1	60-12	RE62562	6E8	19	60-27
RE61568	3D24	11	40-7	RE61798	8F24	17	80-45	RE62607	3G14	3	40-71
RE61576	6E6	3	60-25	RE61799	8F24	17	80-45	RE62609	3G14	4	40-71

1K18

8100, 8200, 8300, 8400 TRACTORS

NUMERICAL INDEX - CONTINUED

PART NO.	GRID	KEY	PAGE	PART NO.	GRID	KEY	PAGE	PART NO.	GRID	KEY	PAGE
RE62610	3G14	3	40-71	RE62791	1H11	1	20-89	RE63206	7H14	9	70-107
RE62611	3G14	4	40-71	RE62791	1H17	10	20-95	RE63207	7H12	1	70-105
RE62615	2F20	17	30-57	RE62792	7H16	7	70-109	RE63209	7H14	6	70-107
RE62615	2F25	5	30-62	RE62794	2D19	13A	30-11	RE63210	7H14	7	70-107
RE62615	2F25	13	30-62	RE62794	2D19	13B	30-11	RE63211	3E10	39	40-15
RE62626	6G8	20	60-71	RE62807	3G14	10	40-71	RE63211	3E14	46	40-19
RE62635	7H18	10	70-111	RE62816	8D13	7	71-11	RE63211	3G25	1	40-81
RE62640	1G6	8	20-58	RE62817	8D13	9	71-11	RE63215	8F8	1	80-29
RE62640	1H17	10	20-95	RE62820	8D13	22	71-11	RE63229	4F18	1	51-21
RE62645	2F12	10	30-49B	RE62823	8D13	10	71-11	RE63229	4F20	4	51-23
RE62649	3E10	27	40-15	RE62824	8D13	23	71-11	RE63236	4F4	2	51-7
RE62649	3E12	27	40-17	RE62827	8D13	12	71-11	RE63236	4F6	1	51-9
RE62649	3F17	32	40-49	RE62840	2G7	23	30-71	RE63236	4F8	1	51-11
RE62649	3F19	33	40-51	RE62872	6G14	21	60-77	RE63236	4F10	1	51-13
RE62649	3F20	6	40-52	RE62872	6G14	44	60-77	RE63236	4F12	1	51-15
RE62650	3E10	27	40-15	RE62901	9D10	5	91-5	RE63236	4F14	8	51-17
RE62650	3E12	27	40-17	RE62904	7I4	6	70-123	RE63289	1E8	2	20-14
RE62650	3F17	32	40-49	RE62910	9D10	3	91-5	RE63289	3E2	13	40-9
RE62650	3F19	33	40-51	RE62929	3D20	7	40-3	RE63289	3E2	15	40-9
RE62650	3F20	6	40-52	RE62929	3D20	11	40-3	RE63289	3E8	13	40-13
RE62651	3E10	27	40-15	RE62929	3D20	12	40-3	RE63289	3E8	15	40-13
RE62651	3E12	27	40-17	RE62951	8D11	3	71-9	RE63306	3E24	17	40-29
RE62651	3F17	32	40-49	RE62952	8D7	2	71-5	RE63312	2E17	13	30-31B
RE62651	3F19	33	40-51	RE62952	8D9	2	71-7	RE63313	2E17	6	30-31B
RE62651	3F20	6	40-52	RE62954	8D7	3	71-5	RE63313	2F14	4	30-51
RE62652	3E14	31	40-19	RE62954	8D9	3	71-7	RE63313	2F18	6	30-55
RE62652	3E16	31	40-21	RE62956	8D7	4	71-5	RE63313	2F24	4	30-61
RE62652	3E18	27	40-23	RE62956	8D9	5	71-7	RE63328	8G6	14	80-53
RE62652	3F17	32	40-49	RE62957	8D9	6	71-7	RE63350	3G14	10	40-71
RE62652	3F19	33	40-51	RE62959	8D7	6	71-5	RE63351	5E17	3	54-4
RE62652	3F20	6	40-52	RE62959	8D9	11	71-7	RE63376	3H15	15	40-95
RE62653	3E10	10	40-15	RE62960	8D7	7	71-5	RE63382	5F2	6	54-15
RE62653	3E14	13	40-19	RE62961	8D7	10	71-5	RE63382	5F4	8	54-17
RE62653	8H20	15	90-17	RE62967	7E13	..	70-33	RE63411	7F20	11	70-65
RE62677	5E18	1	54-5	RE62976	4D17	3	42-13	RE63411	7F22	11	70-67
RE62678	6G8	10	60-71	RE62976	4D17	6	42-13	RE63412	7F20	12	70-65
RE62678	6G10	10	60-73	RE62977	4D16	13	42-12	RE63413	2E21	9	30-35
RE62723	1E21	9	20-27	RE62981	5E24	18	54-13	RE63413	2G5	5	30-69
RE62765	5D14	1	53-11	RE63002	1I20	35	20-123	RE63414	2E21	6	30-35
RE62776	1F8	8	20-39	RE63003	1I24	35	20-127	RE63414	2F6	2	30-45
RE62776	1G21	3	20-75	RE63007	3F25	5	40-57	RE63414	2G5	2	30-69
RE62776	1I9	3	20-111	RE63007	3G4	3	40-61	RE63422	6D7	1	60-3
RE62776	2D20	7	30-12	RE63026	8D15	29	71-13	RE63427	3E14	33	40-19
RE62776	2D24	7	30-16	RE63036	8D15	23	71-13	RE63427	6F22	1	60-65
RE62776	2E4	7	30-21	RE63037	8D17	1	71-15	RE63440	3E10	22	40-15
RE62777	1F8	10	20-39	RE63038	8D17	1	71-15	RE63440	3E14	12	40-19
RE62777	1G21	4	20-75	RE63039	8D17	3	71-15	RE63440	3F17	36	40-49
RE62777	1I9	4	20-111	RE63063	8D13	24	71-11	RE63440	3F20	13	40-52
RE62777	2D20	8	30-12	RE63065	8D13	25	71-11	RE63452	9D10	8	91-5
RE62777	2D24	8	30-16	RE63090	2E19	10	30-33	RE63455	4F2	1	51-5
RE62777	2E4	8	30-21	RE63115	1E21	9	20-27	RE63455	4F4	2	51-7
RE62778	3F25	16	40-57	RE63115	1E21	11	20-27	RE63455	4F6	1	51-9
RE62779	6E4	24	60-23	RE63182	2E15	5	30-31	RE63455	4F8	1	51-11
RE62779	6E6	34	60-25	RE63182	2E17	3	30-31B	RE63455	4F10	1	51-13
RE62780	6E4	25	60-23	RE63182	2E17	4	30-31B	RE63455	4F12	1	51-15
RE62780	6E6	32	60-25	RE63182	2F18	3	30-55	RE63455	4F14	8	51-17
RE62783	6E4	10	60-23	RE63182	2F18	4	30-55	RE63458	3E10	36	40-15
RE62783	6E4	11	60-23	RE63182	2F18	11	30-55	RE63458	3E12	37	40-17
RE62783	6E4	15	60-23	RE63182	2F18	12	30-55	RE63458	3E14	43	40-19
RE62783	6E6	10	60-25	RE63183	2E15	5	30-31	RE63458	3E16	44	40-21
RE62783	6E6	11	60-25	RE63183	2E17	4	30-31B	RE63458	3E18	37	40-23
RE62783	6E6	32	60-25	RE63183	2F18	3	30-55	RE63458	3H12	2	40-92
RE62783	6E6	33	60-25	RE63183	2F18	4	30-55	RE63458	9D24	8	91-19
RE62783	6E6	34	60-25	RE63183	2F18	9	30-55	RE63465	4G3	1	51-32
RE62783	6E8	33	60-27	RE63183	2F18	12	30-55	RE63465	4I7	1	51-84
RE62785	7F2	11	70-47	RE63194	1I13	14	20-115	RE63468	2G1	1	30-65
RE62785	7F4	11	70-49	RE63205	7H14	9	70-107	RE63468	7E1	1	70-19

NUMERICAL INDEX - CONTINUED

PART NO.	GRID	KEY	PAGE	PART NO.	GRID	KEY	PAGE	PART NO.	GRID	KEY	PAGE
RE63494	9D10	1	91 - 5	RE63895	3G14	4	40 - 71	RE64509	1H11	1	20 - 89
RE63512	3E10	42	40 - 15	RE63896	3G14	4	40 - 71	RE64509	1H17	10	20 - 95
RE63512	3E12	43	40 - 17	RE63899	6H11	13	60 - 99	RE64509	1H17	..	20 - 95
RE63512	3E18	43	40 - 23	RE63957	3E2	5	40 - 9	RE64525	9F7	30	91 - 51
RE63512	6D7	1	60 - 3	RE63957	4D13	9	42 - 9	RE64525	9F9	27	91 - 53
RE63513	3E14	50	40 - 19	RE63958	3E20	2	40 - 25	RE64525	9F9	28	91 - 53
RE63513	3E16	51	40 - 21	RE63958	4D21	11	42 - 17	RE64525	9F9	29	91 - 53
RE63513	6D7	1	60 - 3	RE63981	3E14	33	40 - 19	RE64525	9F9	30	91 - 53
RE63514	1F9	10	20 - 39A	RE63981	3E16	33	40 - 21	RE64583	3E10	22	40 - 15
RE63514	1F9	11	20 - 39A	RE63981	6F22	1	60 - 65	RE64583	3E12	22	40 - 17
RE63514	1F9	12	20 - 39A	RE64004	5D16	1	53 - 13	RE64583	3E14	12	40 - 19
RE63514	1F9	13	20 - 39A	RE64004	5D16	20	53 - 13	RE64583	3E16	12	40 - 21
RE63514	2E25	10	30 - 39	RE64012	3F25	5	40 - 57	RE64583	3E18	22	40 - 23
RE63514	2E25	11	30 - 39	RE64012	3F25	10	40 - 57	RE64583	3F17	36	40 - 49
RE63514	2E25	12	30 - 39	RE64012	3G4	3	40 - 61	RE64583	3F19	37	40 - 51
RE63514	2E25	13	30 - 39	RE64060	5E17	3	54 - 4	RE64583	3F20	13	40 - 52
RE63524	8D15	35	71 - 13	RE64060	5E18	1	54 - 5	RE64626	3E10	15	40 - 15
RE63525	8D15	35	71 - 13	RE64161	6F22	5B	60 - 65	RE64626	3F7	10	40 - 37
RE63527	8D15	47	71 - 13	RE64161	6F22	9	60 - 65	RE64626	3F7	..	40 - 37
RE63528	8D15	47	71 - 13	RE64170	1G6	10	20 - 58	RE64626	3F12	9	40 - 43
RE63545	7J6	26	70 - 149	RE64170	1H17	10	20 - 95	RE64627	3E14	19	40 - 19
RE63545	7J8	26	70 - 151	RE64177	9F3	1	91 - 47A	RE64627	3F7	10	40 - 37
RE63551	8F12	8	80 - 33	RE64206	1F8	37	20 - 39	RE64627	3F13	9	40 - 44
RE63563	8H15	7	90 - 12	RE64212	1E6	1	20 - 13D	RE64628	3D20	19	40 - 3
RE63575	5E16	8	54 - 3	RE64215	2E7	4	30 - 25	RE64628	3D24	13	40 - 7
RE63575	5E16	9	54 - 3	RE64225	5F4	28	54 - 17	RE64628	3E2	1	40 - 9
RE63578	8F24	2	80 - 45	RE64225	5F8	7	54 - 19	RE64628	3E6	12	40 - 11
RE63579	8F24	2	80 - 45	RE64236	6E10	2	60 - 29	RE64628	3E8	1	40 - 13
RE63580	8F12	6	80 - 33	RE64236	6E12	1	60 - 31	RE64629	3E20	5	40 - 25
RE63581	8F12	6	80 - 33	RE64237	6E10	2	60 - 29	RE64629	4D18	5	42 - 14
RE63599	8D19	12	71 - 17	RE64237	6E12	1	60 - 31	RE64629	4D19	1	42 - 15
RE63600	8D19	18	71 - 17	RE64278	3G2	12	40 - 59	RE64646	9F9	27	91 - 53
RE63638	3F12	4	40 - 43	RE64279	3G10	20	40 - 67	RE64765	2D23	4	30 - 15
RE63638	3G18	10	40 - 74	RE64309	4F2	1	51 - 5	RE64806	5D16	13	53 - 13
RE63683	5D24	13	53 - 21	RE64309	4F4	2	51 - 7	RE64874	9D22	2	91 - 17
RE63686	8D19	11	71 - 17	RE64309	4F6	1	51 - 9	RE64907	1H11	1	20 - 89
RE63687	3F25	5	40 - 57	RE64309	4F8	1	51 - 11	RE64936	2D23	4	30 - 15
RE63687	3F25	10	40 - 57	RE64309	4F10	1	51 - 13	RE65049	1F20	1	20 - 49
RE63687	3F25	13	40 - 57	RE64309	4F12	1	51 - 15	RE65049	1H7	1	20 - 85
RE63687	3G4	3	40 - 61	RE64309	4F14	8	51 - 17	RE65049	1H9	1	20 - 87
RE63708	3G6	4	40 - 63	RE64323	3E24	5	40 - 29	RE65081	1E2	1	20 - 13
RE63708	3G6	5	40 - 63	RE64323	3H13	11	40 - 93	RE65081	1E4	1	20 - 13B
RE63708	3G8	4	40 - 65	RE64376	3E10	30	40 - 15	RE65081	1E5	1	20 - 13C
RE63751	4F4	2	51 - 7	RE64376	3E12	31	40 - 17	RE65100	3E2	20	40 - 9
RE63751	4F6	1	51 - 9	RE64376	3E14	37	40 - 19	RE65100	3E8	20	40 - 13
RE63751	4F6	13	51 - 9	RE64376	3E16	38	40 - 21	RE65100	3I15	13	41 - 4A
RE63751	4F8	1	51 - 11	RE64376	3E18	31	40 - 23	RE65100	3I16	10	41 - 5
RE63751	4F8	27	51 - 11	RE64376	3H17	4	40 - 97	RE65100	3I18	..	41 - 7
RE63751	4F10	1	51 - 13	RE64376	3H19	1	40 - 99	RE65103	3E2	20	40 - 9
RE63751	4F10	22	51 - 13	RE64377	3E10	30	40 - 15	RE65103	3E8	20	40 - 13
RE63751	4F12	1	51 - 15	RE64377	3E12	31	40 - 17	RE65103	3I15	13	41 - 4A
RE63751	4F12	7	51 - 15	RE64377	3E14	37	40 - 19	RE65103	3I16	10	41 - 5
RE63751	4F14	8	51 - 17	RE64377	3E16	38	40 - 21	RE65103	3I18	..	41 - 7
RE63751	4H8	13	51 - 61	RE64377	3E18	31	40 - 23	RE65103	3I19	6	41 - 8
RE63751	4H10	27	51 - 63	RE64377	3H17	4	40 - 97	RE65103	3I19	7	41 - 8
RE63751	4H12	22	51 - 65	RE64377	3H19	1	40 - 99	RE65103	3I19	8	41 - 8
RE63751	4H14	7	51 - 67	RE64391	2F8	14	30 - 47	RE65103	3I21	7	41 - 11
RE63763	3E24	17	40 - 29	RE64391	2F16	5	30 - 53	RE65103	3I23	5	41 - 13
RE63794	8D15	6	71 - 13	RE64391	2F16	13	30 - 53	RE65123	2G7	23	30 - 71
RE63795	8D19	17	71 - 17	RE64392	2F16	10	30 - 53	RE65126	3F25	5	40 - 57
RE63801	8D13	6	71 - 11	RE64427	4G10	16	51 - 39	RE65126	3G4	3	40 - 61
RE63826	7J6	20	70 - 149	RE64427	4I14	16	51 - 91	RE65176	3E2	20	40 - 9
RE63826	7J8	20	70 - 151	RE64427	7D11	8	70 - 3	RE65176	3I14	11	41 - 4
RE63832	9F21	8	92 - 7	RE64438	6E16	4	60 - 35	RE65176	3I18	..	41 - 7
RE63888	6F14	18	60 - 57	RE64475	8F8	1	80 - 29	RE65176	3I19	6	41 - 8
RE63888	6F16	21	60 - 59	RE64509	1F22	1	20 - 51	RE65176	3I19	7	41 - 8
RE63888	6I6	1	60 - 117	RE64509	1G6	10	20 - 58	RE65176	3I19	8	41 - 8

1K20

8100, 8200, 8300, 8400 TRACTORS

NUMERICAL INDEX - CONTINUED

PART NO.	GRID	KEY	PAGE	PART NO.	GRID	KEY	PAGE	PART NO.	GRID	KEY	PAGE
RE65176	3I23	5	41 - 13	RE65608	8F22	1	80 - 43	RE66277	3G25	1	40 - 81
RE65218	8F14	8	80 - 35	RE65609	8F22	1	80 - 43	RE66328	7H2	10	70 - 97
RE65218	8G2	11	80 - 49	RE65610	1I22	15	20 - 125	RE66337	1I17	19B	20 - 119
RE65218	8G12	4	80 - 59	RE65610	1J2	15	20 - 129	RE66338	1I22	29	20 - 125
RE65232	8E24	10	80 - 19	RE65621	5F2	18	54 - 15	RE66338	1J2	29	20 - 129
RE65233	6F3	1	60 - 47	RE65621	5F4	21	54 - 17	RE66342	1I15	2	20 - 117
RE65254	6E6	10	60 - 25	RE65621	5F25	18	54 - 37	RE66342	2D15	8	30 - 7
RE65254	6E6	11	60 - 25	RE65651	1I22	17	20 - 125	RE66529	7D17	2	70 - 9
RE65254	6E6	32	60 - 25	RE65651	1J2	17	20 - 129	RE66537	6D19	8	60 - 15
RE65254	6E6	34	60 - 25	RE65689	3H5	10	40 - 85	RE66552	8H10	25	90 - 7
RE65254	6E8	32	60 - 27	RE65689	3H7	10	40 - 87	RE66553	8H10	26	90 - 7
RE65255	6E6	10	60 - 25	RE65690	3H5	10	40 - 85	RE66566	6I2	8	60 - 113
RE65255	6E6	11	60 - 25	RE65690	3H7	7	40 - 87	RE66573	2G1	1	30 - 65
RE65255	6E6	32	60 - 25	RE65693	9F23	1	92 - 9	RE66573	7E1	1	70 - 19
RE65255	6E6	34	60 - 25	RE65694	9F23	7	92 - 9	RE66577	8F12	1	80 - 33
RE65255	6E8	34	60 - 27	RE65695	9F23	2	92 - 9	RE66601	8E22	11	80 - 17
RE65265	2F2	1	30 - 41	RE65696	9F21	2	92 - 7	RE66602	8E24	10	80 - 19
RE65265	2F14	1	30 - 51	RE65746	7D23	42A	70 - 15	RE66614	2E25	1	30 - 39
RE65265	2F24	1	30 - 61	RE65760	9F11	47	91 - 53B	RE66614	2F10	1	30 - 49
RE65289	1G6	10	20 - 58	RE65787	2E19	6	30 - 33	RE66614	2F12	1	30 - 49B
RE65289	1H17	10	20 - 95	RE65787	2E19	10	30 - 33	RE66614	2F22	1	30 - 59
RE65292	6D23	1	60 - 18	RE65787	2E19	11	30 - 33	RE66614	3G16	15	40 - 72A
RE65292	6D23	7	60 - 18	RE65787	2E21	9	30 - 35	RE66665	9F5	13	91 - 49
RE65292	6D25	1	60 - 21	RE65787	2F6	5	30 - 45	RE66667	4G24	6	51 - 53
RE65293	6D23	1	60 - 18	RE65787	2F14	4	30 - 51	RE66670	6F10	1	60 - 53
RE65293	6D23	7	60 - 18	RE65787	2F24	4	30 - 61	RE66670	6F12	1	60 - 55
RE65293	6D25	1	60 - 21	RE65787	2G3	11	30 - 67	RE66671	2G7	9	30 - 71
RE65319	9E20	23	91 - 39	RE65787	2G5	5	30 - 69	RE66672	2G7	14	30 - 71
RE65320	2G9	10	30 - 73	RE65891	1I22	31	20 - 125	RE66710	6D13	10	60 - 9
RE65330	6E6	10	60 - 25	RE65891	1J2	31	20 - 129	RE66712	6E18	8	60 - 37
RE65330	6E6	11	60 - 25	RE66000	2F12	31	30 - 49B	RE66784	1E6	1	20 - 13D
RE65330	6E6	32	60 - 25	RE66000	2F22	31	30 - 59	RE66785	1E6	1	20 - 13D
RE65330	6E6	34	60 - 25	RE66007	3E2	5	40 - 9	RE66801	1I11	37	20 - 113
RE65330	6E8	36	60 - 27	RE66007	3E8	6	40 - 13	RE66845	3E2	8	40 - 9
RE65337	7D19	1	70 - 11	RE66007	4D13	9	42 - 9	RE66875	3G14	10	40 - 71
RE65350	3D20	7	40 - 3	RE66101	7G8	1	70 - 77	RE66876	3G14	10	40 - 71
RE65350	3D20	11	40 - 3	RE66140	6E24	1	60 - 43	RE66880	3G14	10	40 - 71
RE65350	3D20	12	40 - 3	RE66141	6F25	1	60 - 68	RE66881	3D20	7	40 - 3
RE65350	4F8	19	51 - 11	RE66231	6E4	10	60 - 23	RE66881	3D20	11	40 - 3
RE65407	1H17	10	20 - 95	RE66231	6E4	11	60 - 23	RE66881	3D20	12	40 - 3
RE65431	2E15	8	30 - 31	RE66231	6E4	24	60 - 23	RE66881	3D22	10	40 - 5
RE65431	2E17	3	30 - 31B	RE66231	6E4	25	60 - 23	RE66881	3D22	11	40 - 5
RE65431	2E17	11	30 - 31B	RE66231	6E6	10	60 - 25	RE66881	4F8	19	51 - 11
RE65431	2F18	3	30 - 55	RE66231	6E6	11	60 - 25	RE66881	4H10	19	51 - 63
RE65431	2F18	11	30 - 55	RE66231	6E6	32	60 - 25	RE66981	7H23	16	70 - 117
RE65431	2G10	5	30 - 74	RE66231	6E6	34	60 - 25	RE66981	7H23	38	70 - 117
RE65432	2E17	14	30 - 31B	RE66231	6G8	20	60 - 71	RE67009	3G14	3	40 - 71
RE65432	2F18	13	30 - 55	RE66231	6G10	20	60 - 73	RE67013	3F11	1	40 - 42
RE65441	7D23	13	70 - 15	RE66235	6E4	10	60 - 23	RE67014	3F11	3	40 - 42
RE65442	6E16	4	60 - 35	RE66235	6E4	11	60 - 23	RE67014	9D14	8	91 - 9
RE65457	1I13	5	20 - 115	RE66235	6E4	24	60 - 23	RE67015	3F11	2	40 - 42
RE65458	1I13	5	20 - 115	RE66235	6E4	25	60 - 23	RE67016	3F11	2	40 - 42
RE65502	8H21	1	90 - 18	RE66235	6G8	20	60 - 71	RE67019	3F11	5	40 - 42
RE65537	5E22	19	54 - 10	RE66236	6E4	10	60 - 23	RE67022	3G14	3	40 - 71
RE65538	5E22	19	54 - 10	RE66236	6E4	11	60 - 23	RE67113	7I2	5	70 - 121
RE65564	7D23	24	70 - 15	RE66236	6E4	24	60 - 23	RE67113	7I10	9	70 - 129
RE65564	7D25	24	70 - 17	RE66236	6E4	25	60 - 23	RE67116	3G14	4	40 - 71
RE65566	7D23	28A	70 - 15	RE66236	6G8	20	60 - 71	RE67117	3G14	3	40 - 71
RE65566	7D23	28B	70 - 15	RE66251	7D25	13	70 - 17	RE67181	7J2	6	70 - 145
RE65579	8F14	8	80 - 35	RE66252	7D25	7	70 - 17	RE67181	7J2	8	70 - 145
RE65579	8G2	11	80 - 49	RE66253	7D25	20	70 - 17	RE67182	7J2	29	70 - 145
RE65579	8G12	4	80 - 59	RE66254	7D25	28	70 - 17	RE67190	8E20	3	80 - 15
RE65591	5F25	13	54 - 37	RE66277	3E10	39	40 - 15	RE67191	8E20	3	80 - 15
RE65592	5F25	12	54 - 37	RE66277	3E12	40	40 - 17	RE67208	1F3	20	20 - 35
RE65595	5F25	17	54 - 37	RE66277	3E14	46	40 - 19	RE67242	5F2	10	54 - 15
RE65596	5F25	21	54 - 37	RE66277	3E16	47	40 - 21	RE67242	5F8	9	54 - 19
RE65603	5F2	21	54 - 15	RE66277	3E18	40	40 - 23	RE67242	5F10	14	54 - 21

NUMERICAL INDEX - CONTINUED

PART NO.	GRID	KEY	PAGE	PART NO.	GRID	KEY	PAGE	PART NO.	GRID	KEY	PAGE
RE67263	4F8	19	51 - 11	RE67828	2G10	6	30 - 74	RE68597	7F14	1	70 - 59
RE67285	3E16	16	40 - 21	RE67828	8H15	2	90 - 12	RE68598	7F14	1	70 - 59
RE67285	4D7	2	42 - 3	RE67851	8G1	17	80 - 48	RE68604	6F18	1	60 - 61
RE67290	8H10	26	90 - 7	RE67866	3G14	3	40 - 71	RE68604	6F20	21	60 - 63
RE67290	8H12	9	90 - 9	RE67868	3G14	4	40 - 71	RE68622	6E1	1	60 - 21A
RE67291	8H10	25	90 - 7	RE67869	3G14	3	40 - 71	RE68622	6E2	1	60 - 21B
RE67291	8H12	4	90 - 9	RE67870	3G14	4	40 - 71	RE68623	6E1	1	60 - 21A
RE67354	7D15	9	70 - 7	RE67898	2D11	4	30 - 3	RE68623	6E2	1	60 - 21B
RE67355	3G12	4	40 - 69	RE67924	5G2	13	54 - 39	RE68686	6F10	6	60 - 53
RE67366	8E8	1	80 - 1	RE67924	5G4	13	54 - 41	RE68686	6F12	3	60 - 55
RE67377	9F13	1	91 - 55	RE67934	2F12	33	30 - 49B	RE68722	1J9	10	20 - 137
RE67440	4F23	1	51 - 27	RE67934	2F22	33	30 - 59	RE68722	6H19	13	60 - 107
RE67440	4G14	1	51 - 43	RE67948	4F20	1	51 - 23	RE68757	7D23	28C	70 - 15
RE67457	4G6	14	51 - 35	RE67948	4F23	4	51 - 27	RE68777	6F18	4	60 - 61
RE67457	4G6	30	51 - 35	RE67948	4F23	19	51 - 27	RE68777	6I6	9	60 - 117
RE67457	4G8	40	51 - 37	RE67948	4F25	31	51 - 29	RE68808	6G14	2	60 - 77
RE67457	4I10	14	51 - 87	RE67948	4F25	42	51 - 29	RE68882	8F25	15	80 - 46
RE67457	4I10	30	51 - 87	RE67948	4G2	20	51 - 31	RE69034	8H12	9	90 - 9
RE67457	4I12	40	51 - 89	RE67948	4G2	32	51 - 31	RE69036	8F21	1	80 - 42
RE67458	4F23	11	51 - 27	RE67948	4G12	6	51 - 41	RE69036	8F22	1	80 - 43
RE67458	4F23	23	51 - 27	RE67948	4H22	1	51 - 75	RE69037	8F21	1	80 - 42
RE67458	4F25	35	51 - 29	RE67948	4I2	4	51 - 79	RE69037	8F22	1	80 - 43
RE67458	4G2	16	51 - 31	RE67948	4I2	19	51 - 79	RE69062	8H10	15	90 - 7
RE67458	4G2	28	51 - 31	RE67948	4I4	31	51 - 81	RE69063	8H10	15	90 - 7
RE67458	4G12	17	51 - 41	RE67948	4I4	42	51 - 81	RE69069	9F19	1	92 - 5
RE67458	4I2	11	51 - 79	RE67948	4I6	20	51 - 83	RE69071	4G24	4	51 - 53
RE67458	4I2	23	51 - 79	RE67948	4I6	32	51 - 83	RE69072	6F12	5	60 - 55
RE67458	4I4	35	51 - 81	RE67948	4I16	6	51 - 93	RE69073	6F12	5	60 - 55
RE67458	4I6	16	51 - 83	RE67949	4G6	10	51 - 35	RE69074	6F10	8	60 - 53
RE67458	4I6	28	51 - 83	RE67949	4G6	26	51 - 35	RE69075	6F10	8	60 - 53
RE67458	4I16	17	51 - 93	RE67949	4G8	44	51 - 37	RE69078	8F20	1	80 - 41
RE67458	5D6	7	53 - 3	RE67949	4I10	10	51 - 87	RE69082	1I15	19B	20 - 117
RE67458	5D8	7	53 - 5	RE67949	4I10	26	51 - 87	RE69082	1I17	19B	20 - 119
RE67459	9D22	6	91 - 17	RE67949	4I12	44	51 - 89	RE69083	1I22	11	20 - 125
RE67483	4F23	5	51 - 27	RE67963	6E24	1	60 - 43	RE69083	1J2	11	20 - 129
RE67483	4I2	5	51 - 79	RE67963	6G6	1	60 - 69F	RE69092	6E20	46	60 - 39
RE67505	4F25	48	51 - 29	RE67965	6E18	1	60 - 37	RE69092	6G3	6	60 - 69B
RE67505	4G14	21	51 - 43	RE67965	6E20	1	60 - 39	RE69102	9D10	1	91 - 5
RE67508	9D10	1	91 - 5	RE68018	6F10	3	60 - 53	RE69103	3H9	13	40 - 89
RE67610	2G9	9	30 - 73	RE68018	6F12	2	60 - 55	RE69104	3H9	13	40 - 89
RE67617	8F8	1	80 - 29	RE68209	6G12	10	60 - 75	RE69122	4G12	20	51 - 41
RE67618	9F13	1	91 - 55	RE68214	6I4	4	60 - 115	RE69122	4I16	20	51 - 93
RE67645	3E10	10	40 - 15	RE68229	1F3	15	20 - 35	RE69133	1I15	3	20 - 117
RE67645	3E12	10	40 - 17	RE68229	1F4	6	20 - 36	RE69133	1I17	3	20 - 119
RE67645	3E14	13	40 - 19	RE68237	6E22	1	60 - 41	RE69134	1I15	5	20 - 117
RE67645	3E16	13	40 - 21	RE68237	6F24	..	60 - 67	RE69134	1I17	5	20 - 119
RE67645	3E18	10	40 - 23	RE68243	6F1	1A	60 - 45	RE69135	1I15	1	20 - 117
RE67645	8H20	15	90 - 17	RE68257	6F10	4	60 - 53	RE69136	1I17	1	20 - 119
RE67653	6F10	2	60 - 53	RE68259	6F10	5	60 - 53	RE69149	9D22	7	91 - 17
RE67664	8F14	8	80 - 35	RE68290	3F23	5	40 - 55	RE69150	9D22	1	91 - 17
RE67665	8H20	28	90 - 17	RE68291	4F2	18	51 - 5	RE69159	3E12	15	40 - 17
RE67677	1F22	1	20 - 51	RE68291	4H4	18	51 - 57	RE69159	3F7	10	40 - 37
RE67677	1H11	1	20 - 89	RE68292	4F10	8	51 - 13	RE69159	3F12	9	40 - 43
RE67677	1H17	..	20 - 95	RE68293	5E2	3	53 - 25	RE69160	3E16	19	40 - 21
RE67747	2D11	2	30 - 3	RE68295	7E13	11	70 - 33	RE69160	3F7	10	40 - 37
RE67771	2F12	10	30 - 49B	RE68298	6G10	4	60 - 73	RE69160	3F13	9	40 - 44
RE67781	6G22	11	60 - 85	RE68298	6G12	4	60 - 75	RE69189	7G8	9	70 - 77
RE67781	6H6	7	60 - 93	RE68315	1F4	6	20 - 36	RE69214	3G14	10	40 - 71
RE67781	6H8	9	60 - 95	RE68327	3F4	3	40 - 34	RE69214	6F18	5	60 - 61
RE67782	6G22	12	60 - 85	RE68327	3F7	8	40 - 37	RE69215	3G14	10	40 - 71
RE67782	6H6	9	60 - 93	RE68327	3F7	..	40 - 37	RE69215	6F18	5	60 - 61
RE67782	6H8	7	60 - 95	RE68408	7G24	1	70 - 95	RE69232	7G4	14	70 - 73
RE67784	6G12	15	60 - 75	RE68408	7H2	1	70 - 97	RE69232	7G10	14	70 - 79
RE67820	3H24	7	40 - 105	RE68475	7F10	1	70 - 55	RE69232	7G12	6	70 - 81
RE67821	3F2	5	40 - 32	RE68495	3F11	6	40 - 42	RE69233	7G20	7	70 - 91
RE67821	3F3	5	40 - 33	RE68495	3F19	25	40 - 51	RE69329	4G8	32	51 - 37
RE67821	9D22	17	91 - 17	RE68586	6F20	6	60 - 63	RE69341	3E16	14	40 - 21

NUMERICAL INDEX - CONTINUED

PART NO.	GRID	KEY	PAGE	PART NO.	GRID	KEY	PAGE	PART NO.	GRID	KEY	PAGE
RE69341	4D7	7	42-3	RE70487	3I21	10	41-11	RE71121	3D24	10	40-7
RE69474	3F2	8	40-32	RE70488	7J4	1	70-147	RE71121	3D24	16	40-7
RE69550	2F22	1	30-59	RE70555	7J4	8	70-147	RE71121	3E2	23	40-9
RE69550	3G16	15	40-72A	RE70609	7J4	9	70-147	RE71121	3E4	23	40-9B
RE69551	2F10	1	30-49	RE70610	7J4	10	70-147	RE71121	3E6	10	40-11
RE69551	3G16	15	40-72A	RE70611	7J4	11	70-147	RE71121	3E6	15	40-11
RE69552	2F10	1	30-49	RE70714	1I15	15	20-117	RE71121	3E8	23	40-13
RE69552	3G16	15	40-72A	RE70714	1I17	15	20-119	RE71121	5D10	15	53-7
RE69553	2F10	1	30-49	RE70714	7E1	6	70-19	RE71121	5E4	33	53-27
RE69553	3G16	15	40-72A	RE70715	1I15	4	20-117	RE71181	5F19	14	54-31
RE69597	6F18	6	60-61	RE70715	1I17	4	20-119	RE71181	5F21	8	54-33
RE69669	3E2	2	40-9	RE70738	5F2	21	54-15	RE71218	8F20	1	80-41
RE69669	3E8	2	40-13	RE70738	5F4	26	54-17	RE71219	8F20	1	80-41
RE69704	3E8	20	40-13	RE70738	5F8	9	54-19	RE71246	3E16	14	40-21
RE69704	3I14	11	41-4	RE70742	8H20	2	90-17	RE71246	4D7	7	42-3
RE69704	3I15	13	41-4A	RE70742	8H22	5	90-19	RE71260	3F7	..	40-37
RE69704	3I21	7	41-11	RE70756	3I21	6	41-11	RE71267	9F12	6	91-54
RE69708	7F22	20	70-67	RE70775	8E18	9	80-11	RE71267	9F12	9	91-54
RE69771	8F21	1	80-42	RE70776	8E18	9	80-11	RE71268	3E2	29	40-9
RE69795	8F21	1	80-42	RE70777	8E18	9	80-11	RE71268	3E4	29	40-9B
RE69802	5D6	22	53-3	RE70784	8E18	9	80-11	RE71268	3E8	29	40-13
RE69802	5D8	22	53-5	RE70785	8E18	9	80-11	RE71268	4D17	3	42-13
RE69839	1F3	10	20-35	RE70833	4I2	16	51-79	RE71323	4F23	5	51-27
RE69839	1F4	3	20-36	RE70833	4I4	28	51-81	RE71323	4F25	48	51-29
RE69844	1G18	5	20-71	RE70833	4I4	40	51-81	RE71323	4I2	5	51-79
RE69844	1G18	..	20-71	RE70833	4I6	11	51-83	RE71323	4I4	48	51-81
RE69844	1I6	5	20-108A	RE70833	4I6	23	51-83	RE71323	4I8	21	51-95
RE69844	1I6	..	20-108A	RE70834	4F2	1	51-5	RE71341	8F12	12	80-33
RE69881	7E7	10	70-25	RE70834	4F4	2	51-7	RE71343	8F12	12	80-33
RE69919	9F5	34	91-49	RE70834	4F6	1	51-9	RE71368	4F18	1	51-21
RE70004	7J4	2	70-147	RE70834	4F8	1	51-11	RE71368	4F20	4	51-23
RE70019	3H24	4	40-105	RE70834	4F10	1	51-13	RE71368	4H20	1	51-73
RE70023	1F13	6	20-42A	RE70834	4F12	1	51-15	RE71368	4H22	4	51-75
RE70023	1G25	6	20-78A	RE70834	4F14	8	51-17	RE71370	8E14	15	80-7
RE70026	2F10	1	30-49	RE70834	4H4	1	51-57	RE71379	1I22	31	20-125
RE70026	3G16	15	40-72A	RE70834	4H6	2	51-59	RE71379	1J2	31	20-129
RE70027	2F10	1	30-49	RE70834	4H8	1	51-61	RE71382	9D10	1	91-5
RE70027	3G16	15	40-72A	RE70834	4H10	1	51-63	RE71393	3D20	19	40-3
RE70028	2F10	1	30-49	RE70834	4H12	1	51-65	RE71393	3E6	12	40-11
RE70028	3G16	15	40-72A	RE70834	4H14	1	51-67	RE71393	3E8	1	40-13
RE70044	3E2	14	40-9	RE70834	4H16	8	51-69	RE71420	3E10	37	40-15
RE70044	3E8	14	40-13	RE70838	4I10	18	51-87	RE71420	3E10	44	40-15
RE70044	4D13	14	42-9	RE70838	4I12	32	51-89	RE71420	3E12	38	40-17
RE70054	4D13	9	42-9	RE70838	4I12	36	51-89	RE71420	3E12	45	40-17
RE70062	3D20	16	40-3	RE70844	6D19	8	60-15	RE71420	3E18	38	40-23
RE70062	3D22	14	40-5	RE70845	6D19	22	60-15	RE71420	3E18	45	40-23
RE70062	4F8	34	51-11	RE70846	6F8	1	60-51B	RE71420	4D9	10	42-5
RE70062	4F12	10	51-15	RE70957	3E2	20	40-9	RE71421	3E10	12	40-15
RE70062	4H10	8	51-63	RE70957	3E8	20	40-13	RE71421	3E12	12	40-17
RE70062	4H14	10	51-67	RE70957	3I14	11	41-4	RE71421	3E14	17	40-19
RE70072	2F10	1	30-49	RE70957	3I15	13	41-4A	RE71421	3E14	44	40-19
RE70088	4F23	5	51-27	RE70957	3I16	10	41-5	RE71421	3E16	17	40-21
RE70088	4I2	5	51-79	RE70957	3I18	..	41-7	RE71421	3E16	45	40-21
RE70119	7H21	12	70-115	RE70957	3I21	7	41-11	RE71421	3E18	12	40-23
RE70119	7H21	19	70-115	RE70957	3I23	5	41-13	RE71421	4D11	9	42-7
RE70206	4F23	5	51-27	RE70976	4F23	1	51-27	RE71421	4D23	9	42-19
RE70206	4I2	1	51-79	RE70976	4G14	1	51-43	RE71422	3E2	27	40-9
RE70206	4I2	5	51-79	RE70991	3E6	12	40-11	RE71422	3E4	27	40-9B
RE70206	4I18	1	51-95	RE70991	3E8	1	40-13	RE71422	3E8	27	40-13
RE70210	7J4	3	70-147	RE70992	3D22	3	40-5	RE71422	4D15	2	42-11
RE70276	9F21	5	92-7	RE71008	7H12	23	70-105	RE71423	3E2	28	40-9
RE70389	4H22	3	51-75	RE71084	3F25	5	40-57	RE71423	3E4	28	40-9B
RE70449	3D20	19	40-3	RE71084	3F25	13	40-57	RE71423	3E8	28	40-13
RE70449	3E6	12	40-11	RE71084	3G4	3	40-61	RE71423	4D15	2	42-11
RE70449	3E8	1	40-13	RE71121	1E18	1	20-24	RE71424	3E20	2	40-25
RE70464	7J4	7	70-147	RE71121	1G9	2	20-61	RE71424	4D21	11	42-17
RE70486	3I21	12	41-11	RE71121	1H21	2	20-99	RE71427	3E2	14	40-9

NUMERICAL INDEX - CONTINUED

PART NO.	GRID	KEY	PAGE	PART NO.	GRID	KEY	PAGE	PART NO.	GRID	KEY	PAGE
RE71427	3E8	14	40-13	R100369	1F4	2	20-36	R104592	1H5	12	20-83
RE71427	4D13	14	42-9	R100410	8G20	2	80-67	R104592	1I2	2	20-105
RE71429	3E2	5	40-9	R100412	8G22	3	80-69	R104592	1I2	20	20-105
RE71429	3E8	6	40-13	R100499	1E23	5	20-29	R104592	2D16	2	30-8
RE71429	4D13	9	42-9	R100508	3I18	13	41-7	R104592	2D21	2	30-13
RE71433	8H20	28	90-17	R100509	3I18	8	41-7	R104592	2D25	2	30-17
RE71437	5F25	9	54-37	R100511	3I18	7	41-7	R104621	1E23	11	20-29
RE71489	3D20	10	40-3	R100512	3I18	12	41-7	R104621	1G16	18	20-69
RE71489	3D24	14	40-7	R100513	3I18	5	41-7	R104621	1I2	18	20-105
RE71489	3E6	13	40-11	R100569	1E19	1	20-25	R104623	1E17	2	20-23
RE71489	4F4	14	51-7	R100569	1E21	10	20-27	R104623	1F8	22	20-39
RE71489	5D10	10	53-7	R100569	1F8	34	20-39	R104628	1E19	3	20-25
RE71490	3D20	2	40-3	R100569	1G11	10	20-63	R104628	1E21	8	20-27
RE71490	4F18	2	51-21	R100569	1G12	1	20-64	R104628	1G11	14	20-63
RE71509	1E9	2	20-15	R100569	1G21	31	20-75	R104628	1G12	3	20-64
RE71509	1E9	12	20-15	R100569	1H22	1	20-101	R104628	1H22	3	20-101
RE71509	1F23	2	20-52	R100569	1H24	10	20-103	R104628	1H24	14	20-103
RE71509	1F23	12	20-52	R100569	1I9	31	20-111	R104646	3I14	6	41-4
RE71509	1H12	2	20-90	R100774	5F10	11	54-21	R104646	3I15	7	41-4A
RE71509	1H12	12	20-90	R100774	5F23	8	54-35	R104656	1D22	5	20-9
RE71509	8F9	6	80-30	R100911	1F8	2	20-39	R104656	1E17	15	20-23
RE71543	3I23	1	41-13	R100911	1G21	2	20-75	R104656	1F16	5	20-45
RE71557	3F21	11	40-53	R100911	1I9	2	20-111	R104656	1G8	12	20-60
RE71559	7J4	4	70-147	R10093	6E20	30	60-39	R104656	1H3	5	20-81
RE71560	7J4	5	70-147	R10093	6E22	11	60-41	R104656	1H20	12	20-98
RE71561	7J4	6	70-147	R10093	6E25	4	60-44	R104676	3I14	5	41-4
RE71561	7J4	..	70-147	R10093	6F24	12	60-67	R104676	3I15	6	41-4A
RE71566	5F4	18	54-17	R10093	6G3	12	60-69B	R104677	3I15	8	41-4A
RE71566	5F8	9	54-19	R10093	6G5	12	60-69D	R104700	4E10	14	43-5
RE71649	7D19	3	70-11	R10093	7H21	16	70-115	R104701	3D20	3	40-3
RE71650	7D19	4	70-11	R10093	8H10	4	90-7	R104701	3D20	5	40-3
RE71651	7D19	5	70-11	R10093	8H12	12	90-9	R104701	3G14	1	40-71
RE71652	7D19	6	70-11	R10093	8H12	14	90-9	R104701	3G14	2	40-71
RE71653	7D19	9	70-11	R10093	8H12	17	90-9	R104701	3G14	5	40-71
RE71654	7D19	13	70-11	R101042	1F3	2	20-35	R104701	3G14	6	40-71
RE71655	7D19	15	70-11	R101042	1F4	1	20-36	R104701	3G14	8	40-71
RE71657	7D21	15	70-13	R101042	1F8	25	20-39	R104701	3G14	9	40-71
RG22248	1F8	19	20-39	R101085	5D10	16	53-7	R104701	3G14	11	40-71
RG23426	1E7	1	20-13E	R102839	5E21	7	54-9	R104701	4E10	1	43-5
RG23551	1E12	2	20-18	R102844	1E23	7	20-29	R104701	4E10	13	43-5
RG23551	1E12	5	20-18	R102844	1G16	14	20-69	R104745	4F10	14	51-13
RG23551	1E12	8	20-18	R102844	1I2	14	20-105	R104745	4H12	3	51-65
RG24026	1D18	..	20-5	R102882	1D18	5	20-5	R104755	5F10	3	54-21
RG24026	1F11	..	20-41	R102882	1F11	5	20-41	R104755	5F23	7	54-35
RG24026	1G23	..	20-77	R102882	1G23	5	20-77	R104756	5F10	21	54-21
RG27880	1F8	19	20-39	R102944	4D25	7	42-21	R104814	4F10	2	51-13
RG27881	1E6	1	20-13D	R104425	4E13	1	43-8	R104814	4F10	4	51-13
RG27881	1F8	37	20-39	R104533	8F1	1	80-21	R104814	4F12	5	51-15
RG27914	1E6	1	20-13D	R104534	1F11	3	20-41	R104814	4H12	13	51-65
RG27920	1E6	1	20-13D	R104534	1G23	3	20-77	R104814	4H14	5	51-67
RG27921	1E6	1	20-13D	R104570	4E13	10	43-8	R104846	3D20	9	40-3
RG28370	1F3	10	20-35	R104571	4E13	13	43-8	R104846	3D20	15	40-3
RG28370	1F3	15	20-35	R104572	4E13	11	43-8	R104846	3D20	17	40-3
RG28370	1F4	3	20-36	R104587	1E12	4	20-18	R104846	3D20	19	40-3
RG28370	1F4	6	20-36	R104587	1G1	4	20-55	R104846	3D22	9	40-5
RW26739	8F1	6	80-21	R104587	1G2	2	20-55A	R104846	3D22	13	40-5
RW27069	8F1	8	80-21	R104587	1G3	2	20-55B	R104846	3D22	16	40-5
RW27070	8F1	8	80-21	R104587	1H15	4	20-93	R104846	3D24	13	40-7
R100122	5E22	2	54-10	R104589	1D22	6	20-9	R104846	3E2	1	40-9
R100122	5E24	16	54-13	R104589	1F16	6	20-45	R104846	3E10	15	40-15
R100122	5F15	11	54-27	R104589	1H3	6	20-81	R104846	3E14	19	40-19
R100246	5F10	12	54-21	R104590	1F9	11	20-39A	R104846	3F5	1	40-35
R100364	1F3	12	20-35	R104590	2E25	11	30-39	R104846	3F7	10	40-37
R100367	1F3	11	20-35	R104591	1F3	1	20-35	R104846	3F12	9	40-43
R100367	1F4	4	20-36	R104592	1D24	16	20-11	R104846	3F13	9	40-44
R100367	1F8	26	20-39	R104592	1F18	12	20-47	R104846	3F17	3	40-49
R100369	1F3	9	20-35	R104592	1G16	20	20-69	R104846	3F17	5	40-49

NUMERICAL INDEX - CONTINUED

PART NO.	GRID	KEY	PAGE	PART NO.	GRID	KEY	PAGE	PART NO.	GRID	KEY	PAGE
R104846	3F17	20	40-49	R104932	4E13	6	43-8	R107078	1J9	3	20-137
R104846	3F17	22	40-49	R104933	4E13	13	43-8	R107138	2G9	8	30-73
R104846	3F19	3	40-51	R104934	4E13	12	43-8	R107229	1E9	2	20-15
R104846	3F19	5	40-51	R104936	4E10	16	43-5	R107229	1F23	2	20-52
R104846	3F19	20	40-51	R104937	4E10	16	43-5	R107229	1H12	2	20-90
R104846	3F19	22	40-51	R104938	4E10	16	43-5	R107230	8E12	1	80-5
R104846	3G14	13	40-71	R105346	1F8	5	20-39	R107242	5D18	23	53-15
R104846	3G18	6	40-74	R105346	1G21	14	20-75	R107242	5D20	24	53-17
R104846	3G19	5	40-75	R105346	1I9	14	20-111	R107242	5D22	24	53-19
R104846	3G24	5	40-80	R105346	2D19	14	30-11	R107242	5D24	8	53-21
R104846	3H3	3	40-83	R105346	2D23	7	30-15	R107274	9F7	1	91-51
R104846	4D6	7	42-2	R105346	2E2	7	30-19	R107274	9F9	1	91-53
R104846	4D16	22	42-12	R105388	1F9	..	20-39A	R107316	7E13	4	70-33
R104846	4D17	13	42-13	R105388	2E25	..	30-39	R107336	4D14	2	42-10
R104846	4E2	20	42-23	R105388	2F22	..	30-59	R107339	1E13	4	20-19
R104846	4E2	28	42-23	R105388	3G16	15	40-72A	R107339	1G4	4	20-56
R104846	4E10	11	43-5	R105479	7G4	15	70-73	R107339	1H16	4	20-94
R104846	4E12	3	43-7	R105479	7G6	7	70-75	R107343	1E9	1	20-15
R104846	9E23	3	91-43	R105572	8E22	1	80-17	R107343	1H12	1	20-90
R104859	1E17	4	20-23	R105572	8F1	2	80-21	R107357	3F20	8	40-52
R104859	1G8	5	20-60	R105572	8F1	4	80-21	R107414	3H18	3	40-98
R104859	1H20	5	20-98	R105581	9G2	12	92-13	R107430	9E8	3	91-27
R104861	1E17	5	20-23	R105619	8F1	5	80-21	R107431	9E8	3	91-27
R104861	1F3	6	20-35	R105732	1E17	13	20-23	R107444	9F5	30	91-49
R104861	1G8	10	20-60	R105732	1F3	19	20-35	R107448	8E12	8	80-5
R104861	1H20	10	20-98	R105833	4F14	11	51-17	R107454	5E7	4	53-30
R104862	1E23	16	20-29	R105833	4H16	11	51-69	R107455	6I6	10	60-117
R104919	3D20	8	40-3	R105942	3H5	6	40-85	R107466	8E10	8	80-3
R104919	3D20	14	40-3	R105942	3H7	6	40-87	R107477	4D19	4	42-15
R104919	3D22	8	40-5	R106231	9E23	5	91-43	R107478	4D19	2	42-15
R104919	3D22	15	40-5	R106252	9E6	1	91-25	R107491	7E13	6	70-33
R104919	3E24	16	40-29	R106463	7E8	3	70-28	R107495	7E13	7	70-33
R104919	3F5	2	40-35	R106529	8F14	2	80-35	R107548	6D11	13	60-7
R104919	3F5	5	40-35	R106661	7G4	13	70-73	R107551	6D12	1	60-8
R104919	3F17	31	40-49	R106661	7G10	13	70-79	R107552	6D12	2	60-8
R104919	3F19	32	40-51	R106661	8F1	7	80-21	R107554	6D11	2	60-7
R104919	3G12	2	40-69	R106663	3D20	2	40-3	R107554	6D11	16	60-7
R104919	3G20	3	40-76	R106663	3D20	10	40-3	R107555	6D13	3	60-9
R104919	3H3	2	40-83	R106663	3D22	1	40-5	R107556	6D13	4	60-9
R104919	3H5	17	40-85	R106663	3D22	7	40-5	R107561	6D9	8	60-5
R104919	3H7	17	40-87	R106663	4F4	14	51-7	R107562	3G2	10	40-59
R104919	3H9	1	40-89	R106663	4F4	21	51-7	R107562	3G8	3	40-65
R104919	4D6	9	42-2	R106663	4F18	2	51-21	R107562	9G8	18	92-19
R104919	4D8	2	42-4	R106663	4F18	25	51-21	R107563	6D11	3	60-7
R104919	4D10	4	42-6	R106663	4H6	14	51-59	R107567	6D9	13	60-5
R104919	4D11	8	42-7	R106663	4H6	21	51-59	R107583	3F25	14	40-57
R104919	4D12	4	42-8	R106663	4H20	2	51-73	R107583	3F25	15	40-57
R104919	4D12	16	42-8	R106663	4H20	25	51-73	R107588	3F25	2	40-57
R104919	4D14	10	42-10	R106663	5D10	10	53-7	R107588	3G4	5	40-61
R104919	4D16	21	42-12	R106674	5F2	6	54-15	R107598	3F21	5	40-53
R104919	4D17	12	42-13	R106714	6E14	11	60-33	R107598	6D9	4	60-5
R104919	4D20	4	42-16	R106714	7D23	36	70-15	R107601	2G7	19	30-71
R104919	4D22	5	42-18	R106789	5F15	10	54-27	R107603	2G9	6	30-73
R104919	4D23	8	42-19	R106839	5E4	21	53-27	R107628	3F25	20	40-57
R104919	4E10	8	43-5	R106843	5E4	20	53-27	R107629	3F23	7	40-55
R104919	4E12	6	43-7	R106879	5F2	11	54-15	R107657	7E13	8	70-33
R104919	9E23	15	91-43	R106911	7F18	8	70-63	R107666	1I11	26	20-113
R104920	4E10	4	43-5	R106952	3F17	32	40-49	R107666	8H14	1	90-11
R104921	4E10	6	43-5	R106952	3F19	33	40-51	R107710	5E18	1	54-5
R104922	4E10	5	43-5	R106952	3F20	6	40-52	R107718	5E16	13	54-3
R104923	4E10	3	43-5	R107070	8G7	1	80-54	R107718	5F13	13	54-25
R104926	4E13	2	43-8	R107071	8G7	2	80-54	R107718	5F17	1	54-29
R104927	4E13	3	43-8	R107072	8G7	3	80-54	R107719	5E17	4	54-4
R104928	4E13	4	43-8	R107073	8G7	4	80-54	R107719	5F17	5	54-29
R104929	4E13	5	43-8	R107074	8G8	1	80-55	R107755	7F6	10	70-51
R104930	4E13	7	43-8	R107075	8G8	2	80-55	R107759	7F8	6	70-53
R104931	4E13	8	43-8	R107078	1J7	3	20-135	R107760	7G4	1	70-73

1K25

8100, 8200, 8300, 8400 TRACTORS

NUMERICAL INDEX - CONTINUED

PART NO.	GRID	KEY	PAGE	PART NO.	GRID	KEY	PAGE	PART NO.	GRID	KEY	PAGE
R107760	7G10	1	70-79	R108214	4E24	8	51-3	R108468	4F14	6	51-17
R107760	7G17	1	70-88	R108214	4H2	8	51-55	R108468	4H16	6	51-69
R107795	7D15	4	70-7	R108214	9D12	30	91-7	R108469	4G8	51	51-37
R107796	7D15	5	70-7	R108270	7F10	2	70-55	R108469	4I12	51	51-89
R107797	7D15	6	70-7	R108270	7F14	10	70-59	R108471	4G10	5	51-39
R107798	7D15	7	70-7	R108277	7F11	5	70-56	R108471	4I14	5	51-91
R107799	6E20	20	60-39	R108278	7F11	5	70-56	R108472	4F20	8	51-23
R107799	7D15	8	70-7	R108282	7F10	3	70-55	R108472	4H22	8	51-75
R107800	7D15	10	70-7	R108282	7F14	8	70-59	R108473	4G8	48	51-37
R107801	7D15	11	70-7	R108285	7F12	1	70-57	R108473	4I12	48	51-89
R107802	7D15	12	70-7	R108290	7E13	9	70-33	R108474	4F20	9	51-23
R107803	7D15	13	70-7	R108291	7G4	8	70-73	R108474	4H22	9	51-75
R107810	7D15	16	70-7	R108291	7G17	8	70-88	R108478	4G8	46	51-37
R107811	7D15	17	70-7	R108298	7G4	2	70-73	R108478	4I12	46	51-89
R107814	7D15	18	70-7	R108298	7G10	2	70-79	R108480	4G14	7	51-43
R107816	7D15	20	70-7	R108298	7G17	2	70-88	R108481	4F18	11	51-21
R107818	7D15	22	70-7	R108299	7G4	5	70-73	R108481	4H20	11	51-73
R107823	9G6	2	92-17	R108299	7G10	5	70-79	R108482	4F18	14	51-21
R107859	7H23	18	70-117	R108299	7G17	5	70-88	R108482	4H20	14	51-73
R107890	3F20	1	40-52	R108300	7G4	6	70-73	R108484	4G10	7	51-39
R107890	3F20	7	40-52	R108300	7G10	6	70-79	R108484	4I14	7	51-91
R107890	3H11	1	40-91	R108300	7G17	6	70-88	R108485	4G10	8	51-39
R107890	3H11	4	40-91	R108301	7G4	4	70-73	R108485	4I14	8	51-91
R107890	3H12	1	40-92	R108301	7G17	4	70-88	R108486	4G3	7	51-32
R107890	3H12	2	40-92	R108303	7E13	10	70-33	R108486	4I7	7	51-84
R107890	3H13	4	40-93	R108305	7E13	12	70-33	R108488	4F10	15	51-13
R107890	6D7	1	60-3	R108306	7E13	13	70-33	R108488	4H12	2	51-65
R107957	8F12	19	80-33	R108312	8H14	2	90-11	R108489	4F4	8	51-7
R107991	3E24	..	40-29	R108314	8H18	16	90-15	R108489	4H6	8	51-59
R107991	8D17	8	71-15	R108384	4G12	22	51-41	R108491	4F6	12	51-9
R108015	7D15	23	70-7	R108384	5E16	21	54-3	R108491	4H8	12	51-61
R108016	7D15	24	70-7	R108437	4G2	2	51-31	R108492	4F10	13	51-13
R108019	7D15	26	70-7	R108437	4I6	2	51-83	R108492	4H12	18	51-65
R108024	5E24	19	54-13	R108438	4G6	11	51-35	R108496	4F23	7	51-27
R108037	6E20	5	60-39	R108446	4G6	19	51-35	R108496	4F23	18	51-27
R108038	6E20	7	60-39	R108447	4F23	17	51-27	R108496	4F25	30	51-29
R108041	6E20	14	60-39	R108447	4G2	9	51-31	R108496	4G2	21	51-31
R108041	6E22	21	60-41	R108447	4I2	17	51-79	R108496	4G2	33	51-31
R108041	6F24	9	60-67	R108447	4I6	9	51-83	R108496	4G6	9	51-35
R108041	6G3	9	60-69B	R108448	4F23	8	51-27	R108496	4G6	25	51-35
R108041	6G5	9	60-69D	R108448	4G2	19	51-31	R108496	4G8	43	51-37
R108042	6E20	12	60-39	R108449	4G6	24	51-35	R108496	4G12	7	51-41
R108042	6E22	23	60-41	R108449	4I10	24	51-87	R108496	4I2	7	51-79
R108042	6E25	5	60-44	R108450	4G2	22	51-31	R108496	4I2	18	51-79
R108042	6F24	14	60-67	R108451	4F23	20	51-27	R108496	4I4	30	51-81
R108042	6G3	14	60-69B	R108453	4G2	31	51-31	R108496	4I6	21	51-83
R108042	6G5	14	60-69D	R108454	4F21	2	51-24	R108496	4I6	33	51-83
R108045	6E20	10	60-39	R108454	4H23	2	51-76	R108496	4I10	9	51-87
R108049	6E20	21	60-39	R108455	4F21	3	51-24	R108496	4I10	25	51-87
R108051	6E20	23	60-39	R108455	4H23	3	51-76	R108496	4I12	43	51-89
R108062	6E20	18	60-39	R108456	4G6	27	51-35	R108496	4I16	7	51-93
R108062	6F24	11	60-67	R108457	4G8	35	51-37	R108499	4F2	3	51-5
R108062	6G3	11	60-69B	R108458	4G8	45	51-37	R108499	4H4	3	51-57
R108066	6E20	8	60-39	R108459	4G2	36	51-31	R108500	4F2	6	51-5
R108066	6E22	12	60-41	R108459	4I6	36	51-83	R108500	4H4	6	51-57
R108066	6G5	5	60-69D	R108460	4G2	34	51-31	R108501	4F12	8	51-15
R108067	6E20	13	60-39	R108460	4I6	34	51-83	R108501	4H14	8	51-67
R108067	6E22	22	60-41	R108461	4F25	32	51-29	R108502	4F6	14	51-9
R108067	6E25	6	60-44	R108465	4F18	1	51-21	R108502	4F8	26	51-11
R108067	6F24	13	60-67	R108465	4F20	4	51-23	R108502	4F10	20	51-13
R108067	6G3	13	60-69B	R108466	4F2	1	51-5	R108502	4H8	14	51-61
R108077	9F2	13	91-47	R108466	4F4	2	51-7	R108502	4H10	26	51-63
R108077	9F7	18	91-51	R108466	4F6	1	51-9	R108502	4H12	20	51-65
R108166	3F15	2	40-46	R108466	4F8	1	51-11	R108503	4G14	15	51-43
R108166	3F17	24	40-49	R108466	4F10	1	51-13	R108503	4I18	15	51-95
R108166	3F17	38	40-49	R108466	4F12	1	51-15	R108507	4F23	12	51-27
R108166	3F19	39	40-51	R108466	4F14	8	51-17	R108507	4F23	24	51-27

NUMERICAL INDEX - CONTINUED

PART NO.	GRID	KEY	PAGE	PART NO.	GRID	KEY	PAGE	PART NO.	GRID	KEY	PAGE
R108507	4F25	36	51-29	R108537	4G10	11	51-39	R109487	5D16	13	53-13
R108507	4G2	15	51-31	R108537	4I14	11	51-91	R109488	5D16	20	53-13
R108507	4G2	27	51-31	R108546	4G6	6	51-35	R109489	5D16	18	53-13
R108507	4G12	18	51-41	R108546	4G6	21	51-35	R109528	5D14	1	53-11
R108507	4I2	12	51-79	R108546	4G8	55	51-37	R109625	1G13	1	20-65
R108507	4I2	24	51-79	R108546	4I10	6	51-87	R109625	1G21	32	20-75
R108507	4I4	36	51-81	R108546	4I10	21	51-87	R109625	1I3	1	20-106
R108507	4I6	15	51-83	R108546	4I12	55	51-89	R109625	1I9	32	20-111
R108507	4I6	27	51-83	R108547	4F14	1	51-17	R109639	8E10	7	80-3
R108507	4I16	18	51-93	R108547	4G6	4	51-35	R109639	8E12	7	80-5
R108507	5D6	8	53-3	R108547	4G6	21	51-35	R109690	4G17	5	51-46
R108507	5D8	8	53-5	R108547	4G8	54	51-37	R109690	5D14	7	53-11
R108508	4G10	6	51-39	R108547	4H16	1	51-69	R109691	4G17	3	51-46
R108508	4I14	6	51-91	R108547	4I10	4	51-87	R109808	8E10	7	80-3
R108509	4G6	15	51-35	R108547	4I10	21	51-87	R109822	5D16	14	53-13
R108509	4G6	31	51-35	R108547	4I12	54	51-89	R109823	8E22	8	80-17
R108509	4I10	15	51-87	R108551	4F2	9	51-5	R109823	8E24	4	80-19
R108509	4I10	31	51-87	R108551	4H4	9	51-57	R109830	5E24	24	54-13
R108510	4G8	39	51-37	R108555	4G16	2	51-45	R109831	5E24	23	54-13
R108510	4I12	39	51-89	R108558	4G16	7	51-45	R109840	5D20	25	53-17
R108511	4G6	13	51-35	R108558	5D12	16	53-9	R109840	5D22	25	53-19
R108511	4G6	29	51-35	R108559	4G16	11	51-45	R109840	5D24	11	53-21
R108511	4G8	41	51-37	R108562	4F4	6	51-7	R109842	5D20	11	53-17
R108511	4I10	13	51-87	R108562	4H6	6	51-59	R109842	5D22	11	53-19
R108511	4I10	29	51-87	R108565	4F2	2	51-5	R109843	5D20	1	53-17
R108511	4I12	41	51-89	R108565	4H4	2	51-57	R109843	5D22	1	53-19
R108512	4G6	12	51-35	R108568	5E2	8	53-25	R109845	5D20	1	53-17
R108512	4G6	28	51-35	R108569	4G12	2	51-41	R109845	5D22	1	53-19
R108512	4G8	42	51-37	R108569	4G14	12	51-43	R109846	5D18	10	53-15
R108512	4I10	12	51-87	R108569	4I8	2	51-85	R109847	5D18	1	53-15
R108512	4I10	28	51-87	R108569	4I16	2	51-93	R109848	5D18	1	53-15
R108512	4I12	42	51-89	R108569	4I18	12	51-95	R109849	5D18	1	53-15
R108514	4G6	2	51-35	R108573	4G2	8	51-31	R110039	5F2	29	54-15
R108517	4G12	20	51-41	R108573	4G2	37	51-31	R110039	5F4	34	54-17
R108517	4I16	20	51-93	R108573	4I6	8	51-83	R110061	5E2	7	53-25
R108518	4G12	2	51-41	R108573	4I6	37	51-83	R110126	1D21	15	20-8
R108519	4G12	11	51-41	R108576	4F14	2	51-17	R110126	1D22	2	20-9
R108519	4I16	11	51-93	R108576	4H16	2	51-69	R110126	1F15	15	20-44
R108520	4G12	16	51-41	R108580	5D6	2	53-3	R110126	1F16	2	20-45
R108520	4I16	16	51-93	R108580	5D8	2	53-5	R110126	1H2	15	20-80
R108521	4G12	15	51-41	R108582	4F20	2	51-23	R110126	1H3	2	20-81
R108521	4I16	15	51-93	R108582	4H22	2	51-75	R110303	5D18	20	53-15
R108525	4G12	14	51-41	R108583	4F20	6	51-23	R110309	7G6	6	70-75
R108525	4I16	14	51-93	R108583	4H22	6	51-75	R110309	7G14	6	70-83
R108526	4G12	12	51-41	R108584	4F25	29	51-29	R110386	4D14	6	42-10
R108526	4I16	12	51-93	R108584	4I4	29	51-81	R110387	4D14	7	42-10
R108528	4G6	23	51-35	R108699	2F16	7	30-53	R110408	9D24	3	91-19
R108528	4I10	23	51-87	R108699	2F25	7	30-62	R110680	8G12	8	80-59
R108530	4F23	10	51-27	R108700	2F16	8	30-53	R110682	3F23	4	40-55
R108530	4F23	22	51-27	R108700	2F25	8	30-62	R110710	2E11	1	30-29
R108530	4F25	34	51-29	R108701	2F16	9	30-53	R110710	2E13	1	30-29B
R108530	4G2	17	51-31	R108701	2F25	9	30-62	R110805	9E8	10	91-27
R108530	4G2	29	51-31	R108867	1E23	14	20-29	R110806	9E8	10	91-27
R108530	4I2	10	51-79	R108867	1G14	5	20-66	R11086	1G8	6	20-60
R108530	4I2	22	51-79	R108867	1G16	3	20-69	R11086	1G18	4	20-71
R108530	4I4	34	51-81	R108867	1I2	3	20-105	R11086	1H20	6	20-98
R108530	4I6	17	51-83	R108867	1I4	5	20-107	R11086	1I6	4	20-108A
R108530	4I6	29	51-83	R108955	8E24	11	80-19	R111007	8E24	11	80-19
R108530	5D6	6	53-3	R109147	8E22	5	80-17	R111009	8E22	7	80-17
R108530	5D8	6	53-5	R109419	9E4	..	91-23	R111009	8E24	1	80-19
R108531	4G10	4	51-39	R109479	6F10	10	60-53	R111010	8E22	15	80-17
R108531	4I14	4	51-91	R109479	6F12	7	60-55	R111010	8E24	13	80-19
R108533	4G12	13	51-41	R109479	8F8	7	80-29	R111011	8F2	5	80-22
R108533	4I16	13	51-93	R109480	5D16	16	53-13	R111011	8F4	5	80-24
R108534	4G8	49	51-37	R109481	5D16	4	53-13	R111012	8F2	3	80-22
R108534	4I12	49	51-89	R109483	5D16	3	53-13	R111012	8F4	6	80-24
R108535	4G3	1	51-32	R109486	5D16	2	53-13	R111013	8F2	3	80-22

NUMERICAL INDEX - CONTINUED

PART NO.	GRID	KEY	PAGE	PART NO.	GRID	KEY	PAGE	PART NO.	GRID	KEY	PAGE
R111013	8F3	3	80-23	R111931	9D22	20	91-17	R113054	6E22	17	60-41
R111103	8E22	9	80-17	R111932	1I11	31	20-113	R113054	6G5	1	60-69D
R111103	8E24	6	80-19	R111975	3F12	4	40-43	R113056	6E20	22	60-39
R111104	8E22	10	80-17	R111975	3G18	10	40-74	R113057	6E20	25	60-39
R111104	8E24	6	80-19	R111982	3I6	8	40-111	R113057	6E22	18	60-41
R111156	2D15	10	30-7	R112053	1D22	7	20-9	R113057	6G5	3	60-69D
R111234	7I14	1	70-133	R112053	1F16	7	20-45	R113058	6F1	4	60-45
R111235	7I14	2	70-133	R112053	1H3	7	20-81	R113061	6E20	43	60-39
R111238	7H23	10	70-117	R112071	5D18	3	53-15	R113061	6E22	24	60-41
R111238	7I10	29	70-129	R112267	1E17	9	20-23	R113066	6D24	2	60-19
R111289	9D12	37	91-7	R112267	1F3	5	20-35	R113148	7J2	13	70-145
R111296	7D23	44	70-15	R112268	1E17	8	20-23	R113164	3F9	8	40-40
R111296	7D25	29	70-17	R112268	1F3	14	20-35	R113221	8F12	3	80-33
R111297	7D23	45	70-15	R112268	1G8	9	20-60	R113246	3F25	1	40-57
R111297	7D25	30	70-17	R112268	1H20	9	20-98	R113246	3F25	26	40-57
R111382	9E14	35	91-33	R112269	1E17	6	20-23	R113246	3G4	4	40-61
R111397	8E8	1	80-1	R112273	1E17	10	20-23	R113246	3G10	1	40-67
R111398	8E8	2	80-1	R112300	7H21	3	70-115	R113305	7J2	25	70-145
R111410	5D16	29	53-13	R112313	5D6	18	53-3	R113329	8E10	5	80-3
R111434	7G14	4	70-83	R112313	5D8	18	53-5	R113435	5D6	10	53-3
R111434	8E24	8	80-19	R112314	5D6	12	53-3	R113435	5D8	10	53-5
R111437	8E24	8	80-19	R112314	5D8	12	53-5	R113445	7D11	12	70-3
R111437	8F1	7	80-21	R112315	5D6	15	53-3	R113459	8E25	2	80-20
R111449	5D20	20	53-17	R112315	5D8	15	53-5	R113486	5E22	5	54-10
R111449	5D22	20	53-19	R112316	5D10	2	53-7	R113500	8E25	5	80-20
R111450	5D18	24	53-15	R112395	7I18	3	70-137	R113547	5D12	6	53-9
R111467	5D18	19	53-15	R112397	7I20	15	70-139	R113555	7D11	13	70-3
R111493	7I14	3	70-133	R112424	8E20	1	80-15	R113668	5D12	10	53-9
R111570	9F5	22	91-49	R112442	7H21	3	70-115	R113686	7E8	5	70-28
R111632	8H18	7	90-15	R112477	2G9	12	30-73	R113688	7E8	6	70-28
R111632	9D18	6	91-13	R112480	9E14	32	91-33	R113688	7E9	6	70-29
R111691	7E11	7	70-31	R112513	3F23	6	40-55	R113689	7E8	6	70-28
R111692	7E11	1	70-31	R112513	3G10	6	40-67	R113689	7E9	6	70-29
R111774	6D11	14	60-7	R112514	3G10	7	40-67	R113692	8E24	7	80-19
R111774	6D12	4	60-8	R112515	3G10	9	40-67	R113692	8E25	4	80-20
R111792	7E13	16	70-33	R112526	3G10	8	40-67	R113716	8E18	5	80-11
R111793	7F6	18	70-51	R112551	3G10	17	40-67	R114022	2G9	13	30-73
R111794	7F6	18	70-51	R112553	3G10	12	40-67	R114023	2G9	14	30-73
R111807	3F7	9	40-37	R112586	4D10	10	42-6	R114059	9F1	5	91-46
R111807	8G12	3	80-59	R112586	4D11	13	42-7	R114108	4G10	18	51-39
R111807	8G16	2	80-63	R112612	6F18	3	60-61	R114108	4I14	18	51-91
R111808	3F7	9	40-37	R112612	6I6	7	60-117	R114123	5E19	1	54-6
R111808	8G16	2	80-63	R112653	7J4	12	70-147	R114125	7G4	17	70-73
R111887	9E10	9	91-29	R112679	7E11	4	70-31	R114125	7G10	17	70-79
R111887	9E12	4	91-31	R11278	3H1	3	40-82	R114125	7G16	8	70-85
R111888	9E10	9	91-29	R112828	9F12	7	91-54	R114125	8E25	6	80-20
R111888	9E12	4	91-31	R112855	8F8	3	80-29	R114130	1D24	26	20-11
R111894	9E16	6	91-35	R112857	4G16	12	51-45	R114130	1F9	14	20-39A
R111904	5D20	2	53-17	R112861	7I22	11	70-141	R114130	1F18	2	20-47
R111904	5D22	2	53-19	R112888	5F10	9	54-21	R114130	1H5	2	20-83
R111931	3E10	6	40-15	R112888	5F23	1	54-35	R114130	2E25	14	30-39
R111931	3E12	6	40-17	R112893	1I20	28	20-123	R114130	2F12	14	30-49B
R111931	3E12	28	40-17	R112893	1I24	28	20-127	R114130	2F22	14	30-59
R111931	3E14	7	40-19	R112906	5D12	3	53-9	R114130	3I14	2	41-4
R111931	3E16	7	40-21	R112951	8E20	6	80-15	R114130	3I15	2	41-4A
R111931	3E16	34	40-21	R112953	8E20	6	80-15	R114130	3I16	1	41-5
R111931	3E18	6	40-23	R112954	6D23	10	60-18	R114130	3I21	13	41-11
R111931	3E18	28	40-23	R112954	6E2	10	60-21B	R114219	4G3	3	51-32
R111931	3F2	7	40-32	R112975	2F12	13	30-49B	R114219	4I7	3	51-84
R111931	3F2	9	40-32	R112975	2F22	13	30-59	R114224	6E10	1	60-29
R111931	3F3	7	40-33	R113023	4E24	9	51-3	R114238	5D14	1	53-11
R111931	3F4	1	40-34	R113023	4H2	9	51-55	R114345	4G6	1	51-35
R111931	3F10	6	40-41	R113042	3H17	8	40-97	R114345	4G6	8	51-35
R111931	3F11	9	40-42	R113042	3H19	2	40-99	R114345	4G6	20	51-35
R111931	3F17	29	40-49	R113050	8H10	17	90-7	R114345	4G8	52	51-37
R111931	3F19	30	40-51	R113050	8H20	20	90-17	R114345	4G12	19	51-41
R111931	3H24	8	40-105	R113054	6E20	34	60-39	R114345	4I10	1	51-87

NUMERICAL INDEX - CONTINUED

PART NO.	GRID	KEY	PAGE	PART NO.	GRID	KEY	PAGE	PART NO.	GRID	KEY	PAGE
R114345	4I10	8	51-87	R115434	5E22	4	54-10	R116083	1H18	3	20-96
R114345	4I10	20	51-87	R115436	5E17	1	54-4	R116084	1G3	4	20-55B
R114345	4I12	52	51-89	R115438	5F2	12	54-15	R116084	1G5	2	20-57
R114345	4I16	19	51-93	R115450	5D6	21	53-3	R116084	1H18	2	20-96
R114347	5D18	2	53-15	R115450	5D8	21	53-5	R116085	1G3	4	20-55B
R114347	5D20	3	53-17	R115451	5D6	25	53-3	R116085	1G3	5	20-55B
R114347	5D22	3	53-19	R115451	5D8	25	53-5	R116085	1G5	2	20-57
R114349	7F6	2	70-51	R115453	7G4	9	70-73	R116085	1H18	2	20-96
R114561	8F14	1	80-35	R115453	7G10	9	70-79	R116086	5E2	11	53-25
R114561	8F14	2	80-35	R115453	7G17	9	70-88	R116115	4F2	17	51-5
R114569	6D9	16	60-5	R115454	7G4	4	70-73	R116115	4F6	4	51-9
R114570	8G8	3	80-55	R115454	7G4	14	70-73	R116115	4F10	6	51-13
R114571	8G8	4	80-55	R115454	7G10	4	70-79	R116115	4F10	10	51-13
R114685	9E8	1	91-27	R115454	7G10	14	70-79	R116115	4F12	2	51-15
R114685	9E10	1	91-29	R115454	7G12	6	70-81	R116115	4H4	17	51-57
R114685	9E12	1	91-31	R115501	4F2	11	51-5	R116115	4H8	4	51-61
R114686	9E8	1	91-27	R115501	4H4	11	51-57	R116115	4H12	15	51-65
R114686	9E10	1	91-29	R115504	4F2	15	51-5	R116115	4H12	23	51-65
R114686	9E12	1	91-31	R115504	4H4	15	51-57	R116115	4H14	2	51-67
R114802	8G18	5	80-65	R115507	4G8	56	51-37	R116179	8F2	4	80-22
R114802	9G8	15	92-19	R115507	4I12	56	51-89	R116179	8F3	4	80-23
R114820	9E3	7	91-22	R115508	4F25	43	51-29	R116179	8F4	4	80-24
R114820	9F5	23	91-49	R115508	4G2	39	51-31	R116180	8F4	1	80-24
R114837	1J9	11	20-137	R115508	4G10	12	51-39	R116206	6D23	8	60-18
R114837	6H19	15	60-107	R115508	4I4	43	51-81	R116231	1I2	10	20-105
R114841	6D7	3	60-3	R115508	4I6	39	51-83	R116231	1I2	16	20-105
R114844	3I13	10	41-3	R115508	4I14	12	51-91	R116233	1G13	2	20-65
R114899	3G10	5	40-67	R115536	7G14	1	70-83	R116233	1I3	2	20-106
R114917	4D18	4	42-14	R115566	5D16	25	53-13	R116237	1G14	4	20-66
R115037	2D15	6	30-7	R115567	5D16	26	53-13	R116237	1I4	4	20-107
R115093	5E24	22	54-13	R115609	3I13	6	41-3	R116262	8F17	7	80-38
R115129	1G8	3	20-60	R115675	3G19	8	40-75	R116290	9D12	14	91-7
R115129	1H20	3	20-98	R115675	9E10	10	91-29	R116292	9D12	14	91-7
R115171	4F23	6	51-27	R115676	3G19	6	40-75	R116311	1E11	2	20-17
R115171	4F25	41	51-29	R115705	9E16	2	91-35	R116311	1E12	7	20-18
R115171	4G2	1	51-31	R115705	9E20	9	91-39	R116311	1F25	2	20-54
R115171	4G2	10	51-31	R115714	7H23	22	70-117	R116311	1G1	5	20-55
R115171	4G2	35	51-31	R115742	8H5	..	90-1	R116311	1G2	8	20-55A
R115171	4I2	6	51-79	R115743	8H5	2	90-1	R116311	1G3	8	20-55B
R115171	4I4	41	51-81	R115743	8H8	4	90-4	R116311	1H14	2	20-92
R115171	4I6	1	51-83	R115828	3G22	3	40-78	R116311	1H15	5	20-93
R115171	4I6	10	51-83	R115850	3G4	2	40-61	R116336	8E20	6	80-15
R115171	4I6	35	51-83	R115850	3G6	6	40-63	R116340	1G6	6	20-58
R115172	7G14	3	70-83	R115850	3G8	2	40-65	R116340	1H17	6	20-95
R115192	7G10	15	70-79	R115850	3G8	6	40-65	R116353	5F11	2	54-22
R115192	7G14	7	70-83	R115850	9G8	17	92-19	R116353	8E10	2	80-3
R115196	9E25	7	91-45	R115881	5F2	31	54-15	R116389	9E14	30	91-33
R115233	4G10	9	51-39	R115881	5F4	6	54-17	R116390	9E14	27	91-33
R115233	4I14	9	51-91	R115908	4D5	3	42-1	R116402	5D12	13	53-9
R115277	8E20	9	80-15	R115908	9E8	9	91-27	R116440	8E8	3	80-1
R115277	8E20	11	80-15	R115909	7H10	3	70-103	R116464	1I2	2	20-105
R115278	8E20	10	80-15	R115909	7H16	11	70-109	R116536	5F2	10	54-15
R115278	8E20	11	80-15	R115945	3H17	2	40-97	R116537	5F2	10	54-15
R115289	3I13	2	41-3	R115945	4D8	7	42-4	R116570	8E25	1	80-20
R115331	4G6	7	51-35	R115968	3H22	14	40-103	R116580	8G16	9	80-63
R115331	4G8	53	51-37	R116002	7G10	8	70-79	R116598	6E14	8	60-33
R115331	4I10	7	51-87	R116031	7H25	6	70-119	R116713	4G16	8	51-45
R115331	4I12	53	51-89	R116031	7I2	4	70-121	R116713	5D12	17	53-9
R115350	3H11	13	40-91	R116031	7I4	3	70-123	R116718	1G11	12	20-63
R115367	9E25	4	91-45	R116031	7I10	4	70-129	R116718	1G13	6	20-65
R115368	2F4	5	30-43	R116031	7I12	3	70-131	R116718	1H24	12	20-103
R115369	2F4	3	30-43	R116081	1G2	7	20-55A	R116718	1I3	6	20-106
R115403	5D6	1	53-3	R116081	1G6	7	20-58	R116719	1I3	5	20-106
R115403	5D8	1	53-5	R116081	1H17	7	20-95	R116726	4F2	13	51-5
R115413	5D22	20	53-19	R116082	1G5	3	20-57	R116726	4H4	13	51-57
R115413	5D24	1	53-21	R116082	1H18	3	20-96	R116727	2D16	1	30-8
R115433	5E22	6	54-10	R116083	1G5	3	20-57	R116727	2D21	1	30-13

NUMERICAL INDEX - CONTINUED

PART NO.	GRID	KEY	PAGE	PART NO.	GRID	KEY	PAGE	PART NO.	GRID	KEY	PAGE
R116727	2D25	1	30-17	R119211	5D16	6	53-13	R120108	3H7	6	40-87
R116913	9D18	10	91-13	R119221	5E16	2	54-3	R120108	8G20	8	80-67
R116932	1F13	2	20-42A	R119222	5E16	11	54-3	R120111	8G16	5	80-63
R116932	1G25	2	20-78A	R119223	2E19	1	30-33	R120112	8G22	7	80-69
R116933	2G9	19	30-73	R119223	2E21	1	30-35	R120113	8G20	7	80-67
R116948	5E7	6	53-30	R119223	2F6	11	30-45	R120119	3I22	..	41-12
R116975	8H15	1	90-12	R119223	2G3	1	30-67	R120119	8G22	4	80-69
R116976	8H16	3	90-13	R119223	2G5	11	30-69	R120120	3I22	..	41-12
R116977	8H16	7	90-13	R119275	7F24	30	70-69	R120122	8G22	11	80-69
R117033	9F5	2	91-49	R119276	7F24	32	70-69	R120123	8G20	9	80-67
R117060	1G14	17	20-66	R119381	1G8	4	20-60	R120124	8G11	3	80-58
R117060	1G21	37	20-75	R119381	1H20	4	20-98	R120124	8G12	2	80-59
R117060	1I4	17	20-107	R119383	1G18	3	20-71	R120124	9D24	12	91-19
R117060	1I9	37	20-111	R119383	1G21	20	20-75	R120125	8G22	6	80-69
R117073	1G16	6	20-69	R119383	1I6	3	20-108A	R120126	8G20	13	80-67
R117073	1I2	6	20-105	R119383	1I9	20	20-111	R120129	8G22	2	80-69
R117074	1I2	16	20-105	R119384	1G8	2	20-60	R120130	8G20	10	80-67
R117076	7H21	18	70-115	R119384	1G21	22	20-75	R120133	4G14	16	51-43
R117153	6H19	8	60-107	R119384	1H20	2	20-98	R120133	4I18	16	51-95
R117153	6H23	19	60-109	R119384	1I9	22	20-111	R120133	6E4	19A	60-23
R117153	6H25	19	60-111	R119397	1I20	7	20-123	R120133	6E6	19A	60-25
R117153	6I2	2	60-113	R119397	1I24	7	20-127	R120133	8F20	11	80-41
R117153	6I4	2	60-115	R119438	7G22	8	70-93	R120134	8F20	6	80-41
R117185	3I2	7	40-107	R119439	7G22	..	70-93	R120138	2D23	8	30-15
R117237	6F22	16	60-65	R119439	8G14	8	80-61	R120138	2E2	8	30-19
R117260	3I2	6	40-107	R119442	5D25	1	53-22	R120143	1J9	11	20-137
R117307	6H19	9	60-107	R119443	5D25	1	53-22	R120143	6H19	16	60-107
R117307	6H23	18	60-109	R119489	1J7	9	20-135	R120147	4F20	15	51-23
R117307	6H25	18	60-111	R119527	5D6	3	53-3	R120147	4H22	15	51-75
R117307	6I2	3	60-113	R119527	5D8	3	53-5	R120151	3G10	14	40-67
R117307	6I4	3	60-115	R119596	6D9	9	60-5	R120152	3G10	21	40-67
R117432	6D7	6	60-3	R119604	4F16	6	51-19	R120157	8F21	4	80-42
R117569	3H22	21	40-103	R119604	4H18	6	51-71	R120157	8F22	4	80-43
R117569	9F13	2	91-55	R119604	9D12	9	91-7	R120158	8F21	4	80-42
R117569	9G8	14	92-19	R119676	9F1	8	91-46	R120158	8F22	4	80-43
R117675	9G6	20	92-17	R119678	9D16	15	91-11	R120160	3H12	3	40-92
R117718	9G8	8	92-19	R119681	7G14	5	70-83	R120160	3H18	4	40-98
R117718	9G8	9	92-19	R119682	7G6	5	70-75	R120160	8H20	3	90-17
R117721	1I11	18	20-113	R119847	1G16	12	20-69	R120160	9D16	14	91-11
R117721	8H14	9	90-11	R119847	1G21	28	20-75	R120160	9D24	2	91-19
R117721	8H20	24	90-17	R119847	1I2	12	20-105	R120166	7E13	17	70-33
R117724	7I22	12	70-141	R119847	1I9	28	20-111	R120181	2F8	4	30-47
R117724	7J2	11	70-145	R119869	6E18	2	60-37	R120182	2F8	4	30-47
R117872	7F8	5	70-53	R119890	9E25	1	91-45	R120183	2F8	8	30-47
R117977	8F24	15	80-45	R119890	9E25	2	91-45	R120183	2F8	9	30-47
R118146	9E11	4	91-30	R119972	6F14	7	60-57	R120183	2F8	10	30-47
R118147	9E11	4	91-30	R119972	6F16	7	60-59	R120184	2F8	8	30-47
R118188	9E11	2	91-30	R119989	3I22	6	41-12	R120184	2F8	9	30-47
R118245	7I20	14	70-139	R120022	1G19	18	20-73	R120185	2F8	4	30-47
R118245	7I22	10	70-141	R120022	1I7	18	20-109	R120185	2F8	10	30-47
R118453	3F23	8	40-55	R120032	1F20	1	20-49	R120186	2F8	8	30-47
R118453	3G10	10	40-67	R120032	1H7	1	20-85	R120186	2F8	9	30-47
R118453	3G10	11	40-67	R120032	1H9	1	20-87	R120187	2D23	11	30-15
R119118	5F2	27	54-15	R120048	7E13	16	70-33	R120187	2E2	11	30-19
R119118	5F4	22	54-17	R120055	6D11	4	60-7	R120201	4D8	10	42-4
R119126	5D16	9	53-13	R120103	7F24	2	70-69	R120202	9F7	1	91-51
R119132	1F11	12	20-41	R120104	7F24	2	70-69	R120202	9F9	1	91-53
R119132	1G23	12	20-77	R120104	8G20	12	80-67	R120213	2G9	15	30-73
R119133	7G6	1	70-75	R120105	7F24	2	70-69	R120233	2G9	20	30-73
R119168	2G10	6	30-74	R120105	8G22	9	80-69	R120235	4F6	9	51-9
R119168	8H15	2	90-12	R120106	3H5	6	40-85	R120235	4H8	9	51-61
R119171	8H16	6	90-13	R120106	3H7	6	40-87	R120252	1J4	2	20-131
R119203	9D12	20	91-7	R120106	8G22	12	80-69	R120256	4G18	5	51-47
R119207	1I22	8	20-125	R120107	3H5	6	40-85	R120283	4D8	10	42-4
R119207	1J2	8	20-129	R120107	3H7	6	40-87	R120321	8H14	27	90-11
R119207	4G3	6	51-32	R120107	8G12	5	80-59	R120332	2E7	4	30-25
R119207	4I7	6	51-84	R120108	3H5	6	40-85	R120332	2E7	8	30-25

NUMERICAL INDEX - CONTINUED

PART NO.	GRID	KEY	PAGE	PART NO.	GRID	KEY	PAGE	PART NO.	GRID	KEY	PAGE
R120332	4D13	2	42-9	R120954	1H5	21	20-83	R121354	1G2	5	20-55A
R120332	8F12	33	80-33	R120955	8H10	28	90-7	R121354	1H18	2	20-96
R120352	9G1	3	92-12	R120956	8H10	29	90-7	R121355	1H18	2	20-96
R120357	9F12	9	91-54	R121022	5E24	5	54-13	R121362	5F10	6	54-21
R120358	9F12	6	91-54	R121022	5G6	2	54-43	R121362	5F23	4	54-35
R120412	1E23	10	20-29	R121022	5G6	..	54-43	R121379	1J9	9	20-137
R120432	3F20	12	40-52	R121023	5E24	6	54-13	R121379	6H19	12	60-107
R120453	9G1	10	92-12	R121023	5G6	2	54-43	R121395	1E9	4	20-15
R120467	1F13	5	20-42A	R121023	5G6	..	54-43	R121395	1F23	4	20-52
R120467	1G25	5	20-78A	R121162	9D12	29	91-7	R121395	1H12	4	20-90
R120501	8H20	2	90-17	R121163	1G14	8	20-66	R121435	3H17	1	40-97
R120515	9D12	27	91-7	R121163	1I4	8	20-107	R121465	8H15	4	90-12
R120522	1I15	12	20-117	R121164	1F9	10	20-39A	R121466	6D11	8	60-7
R120522	1I17	12	20-119	R121164	1F9	11	20-39A	R121489	1D18	21	20-5
R120523	1G18	2	20-71	R121164	2E25	10	30-39	R121489	1F11	21	20-41
R120523	1I6	2	20-108A	R121164	2E25	11	30-39	R121489	1G23	21	20-77
R120568	9D12	22	91-7	R121164	2F12	11	30-49B	R121490	1D18	7	20-5
R120578	4F18	16	51-21	R121164	2F22	11	30-59	R121490	1F11	7	20-41
R120578	4H8	24	51-61	R121183	8E16	14	80-9	R121490	1G23	7	20-77
R120578	4H20	16	51-73	R121193	1F11	13	20-41	R121491	1D18	6	20-5
R120644	2D20	6	30-12	R121193	1G23	13	20-77	R121491	1F11	6	20-41
R120644	2D24	6	30-16	R121195	1F9	10	20-39A	R121491	1G23	6	20-77
R120644	2E4	6	30-21	R121195	1F9	13	20-39A	R121525	7J6	3	70-149
R120645	2D20	1	30-12	R121195	2E25	10	30-39	R121525	7J8	3	70-151
R120645	2D24	1	30-16	R121195	2E25	13	30-39	R121545	9E14	12	91-33
R120645	2E4	1	30-21	R121195	2F12	13	30-49B	R121564	7F11	3	70-56
R120646	1F8	9	20-39	R121195	2F22	13	30-59	R121564	7H14	12	70-107
R120646	1G21	13	20-75	R121200	1G14	11	20-66	R121569	7F24	4	70-69
R120646	1I9	13	20-111	R121200	1I4	11	20-107	R121603	4G10	3	51-39
R120646	2D16	5	30-8	R121233	3F17	17	40-49	R121603	4I14	3	51-91
R120646	2D21	5	30-13	R121233	3F19	17	40-51	R121609	4F10	23	51-13
R120646	2D25	5	30-17	R121233	3G2	7	40-59	R121626	8F20	2	80-41
R120653	9E21	5	91-40	R121234	3G18	3	40-74	R121660	8F20	8	80-41
R120667	2G7	18	30-71	R121234	3G19	2	40-75	R121664	8H20	12	90-17
R120705	9E23	5	91-43	R121235	3F17	18	40-49	R121666	3E14	13	40-19
R120723	2D13	5	30-5	R121235	3F19	18	40-51	R121666	8H20	14	90-17
R120728	9G12	9	92-23	R121235	3G2	8	40-59	R121666	8H20	15	90-17
R120733	7E5	5	70-23	R121236	3G18	4	40-74	R121667	8H20	27	90-17
R120752	1E12	3	20-18	R121236	3G19	3	40-75	R121668	8H20	5	90-17
R120752	1G1	3	20-55	R121239	5D18	12	53-15	R121714	1I15	18	20-117
R120752	1G2	1	20-55A	R121239	5D20	13	53-17	R121714	1I17	18	20-119
R120752	1G3	1	20-55B	R121239	5D22	13	53-19	R121715	8F12	23	80-33
R120752	1H15	3	20-93	R121239	5D24	5	53-21	R121738	1I11	22	20-113
R120759	7E5	3	70-23	R121253	7J6	1	70-149	R121741	4F20	16	51-23
R120784	8G7	5	80-54	R121253	7J8	1	70-151	R121741	4H22	16	51-75
R120784	8G8	5	80-55	R121257	6G24	1	60-87	R121759	1I13	10	20-115
R120785	8G7	6	80-54	R121260	6G24	10	60-87	R121762	1I13	..	20-115
R120785	8G8	6	80-55	R121260	6I6	3	60-117	R121762	8F12	29	80-33
R120801	1D24	25	20-11	R121282	5F10	7	54-21	R121764	1D24	25	20-11
R120801	1E10	2	20-16	R121282	5F23	3	54-35	R121764	1E10	2	20-16
R120801	1F24	2	20-53	R121283	5F10	5	54-21	R121764	1F24	2	20-53
R120864	1F18	3	20-47	R121283	5F23	5	54-35	R121765	1D24	25	20-11
R120864	1F20	1	20-49	R121316	1G18	6	20-71	R121765	1E10	2	20-16
R120864	1H5	3	20-83	R121316	1I6	6	20-108A	R121765	1F24	2	20-53
R120864	1H7	1	20-85	R121320	1D18	8	20-5	R121775	7F16	2	70-61
R120864	1H9	1	20-87	R121320	1F11	8	20-41	R121776	6E4	20	60-23
R120864	1H13	2	20-91	R121320	1G23	8	20-77	R121776	6E6	20	60-25
R120872	1D22	2	20-9	R121338	1G3	7	20-55B	R121776	6E8	20	60-27
R120872	1D22	3	20-9	R121342	1G2	3	20-55A	R121777	6E6	21	60-25
R120872	1F16	3	20-45	R121342	1H18	3	20-96	R121777	6E8	21	60-27
R120872	1H3	3	20-81	R121343	1H18	3	20-96	R121785	9F2	7	91-47
R120946	4G6	17	51-35	R121346	1G2	3	20-55A	R121787	9F2	9	91-47
R120946	4G8	34	51-37	R121346	1H18	3	20-96	R121788	7G4	18	70-73
R120946	4G8	37	51-37	R121347	1H18	3	20-96	R121788	7G10	18	70-79
R120953	1F18	21	20-47	R121350	1G2	5	20-55A	R121788	7G12	2	70-81
R120953	1H5	21	20-83	R121350	1H18	2	20-96	R121788	7G20	2	70-91
R120954	1F18	21	20-47	R121351	1H18	2	20-96	R121790	9F1	3	91-46

1L6

8100, 8200, 8300, 8400 TRACTORS

NUMERICAL INDEX - CONTINUED

PART NO.	GRID	KEY	PAGE	PART NO.	GRID	KEY	PAGE	PART NO.	GRID	KEY	PAGE
R121790	9F2	3	91 - 47	R122225	3H13	5	40 - 93	R122502	2E4	3	30 - 21
R121794	7E5	25	70 - 23	R122236	4F20	10	51 - 23	R122503	1F8	8	20 - 39
R121796	3F20	11	40 - 52	R122266	1I15	7	20 - 117	R122503	1I9	3	20 - 111
R121797	3F20	10	40 - 52	R122266	1I17	7	20 - 119	R122503	2D20	7	30 - 12
R121798	3F20	9	40 - 52	R122267	1I15	6	20 - 117	R122503	2D24	7	30 - 16
R121810	3F17	33	40 - 49	R122267	1I17	6	20 - 119	R122503	2E4	7	30 - 21
R121810	3F19	34	40 - 51	R122268	1I15	1	20 - 117	R122504	1F8	10	20 - 39
R121823	4E24	13	51 - 3	R122268	1I17	1	20 - 119	R122504	1I9	4	20 - 111
R121823	4H2	13	51 - 55	R122269	1I15	1	20 - 117	R122504	2D20	8	30 - 12
R121827	3F13	6	40 - 44	R122269	1I17	1	20 - 119	R122504	2D24	8	30 - 16
R121835	6H23	5	60 - 109	R122313	7E8	4	70 - 28	R122504	2E4	8	30 - 21
R121835	6H25	5	60 - 111	R122313	7E9	4	70 - 29	R122537	3I2	12	40 - 107
R121884	7F16	5	70 - 61	R122313	7F6	13	70 - 51	R122537	3I4	6	40 - 109
R121915	3F25	3	40 - 57	R122318	6H23	11	60 - 109	R122547	7E5	18	70 - 23
R121917	3F25	15	40 - 57	R122318	6H23	17	60 - 109	R122550	1I15	9	20 - 117
R121918	3F25	21	40 - 57	R122318	6H25	11	60 - 111	R122550	1I17	9	20 - 119
R121919	3F25	20	40 - 57	R122318	6H25	17	60 - 111	R122550	2D13	8	30 - 5
R121920	3F25	12	40 - 57	R122354	8E14	13	80 - 7	R122557	6D24	5	60 - 19
R121920	3F25	26	40 - 57	R122355	8E14	13	80 - 7	R122570	9D10	4	91 - 5
R121922	3F23	3	40 - 55	R122359	8F6	7	80 - 27	R122591	8H10	20	90 - 7
R121926	9D12	4	91 - 7	R122364	1F18	20	20 - 47	R122595	2D20	2	30 - 12
R121938	9G1	8	92 - 12	R122364	1H5	20	20 - 83	R122595	2D24	2	30 - 16
R121950	8F24	1	80 - 45	R122371	2G7	21	30 - 71	R122595	2E4	2	30 - 21
R121965	8H14	4	90 - 11	R122374	4G8	50	51 - 37	R122608	8H14	5	90 - 11
R121967	7E5	20	70 - 23	R122374	4I12	50	51 - 89	R122610	8H14	6	90 - 11
R121969	1I11	19	20 - 113	R122390	4G8	57	51 - 37	R122610	8H14	28	90 - 11
R121969	8H14	7	90 - 11	R122390	4I10	22	51 - 87	R122611	6H23	24	60 - 109
R121977	9D12	31	91 - 7	R122396	7H23	39	70 - 117	R122611	6H25	24	60 - 111
R121981	7H21	13	70 - 115	R122419	1F11	18	20 - 41	R122613	3H13	1	40 - 93
R121990	1F5	18	20 - 37	R122419	1G23	18	20 - 77	R122618	2D19	12	30 - 11
R122000	9G12	8	92 - 23	R122424	2D15	14	30 - 7	R122618	2D23	10	30 - 15
R122007	9E12	10	91 - 31	R122424	7E5	6	70 - 23	R122618	2E2	10	30 - 19
R122008	9E12	10	91 - 31	R122428	7F24	2	70 - 69	R122653	1G3	9	20 - 55B
R122009	9E11	3	91 - 30	R122428	8D15	50	71 - 13	R122654	1G2	9	20 - 55A
R122010	9E11	3	91 - 30	R122428	8G11	4	80 - 58	R122656	8G14	7	80 - 61
R122015	9D12	29	91 - 7	R122429	2G9	33	30 - 73	R122741	1E2	1	20 - 13
R122029	1I15	10	20 - 117	R122430	1G18	7	20 - 71	R122741	1E4	1	20 - 13B
R122029	1I17	10	20 - 119	R122430	1I6	7	20 - 108A	R122741	1E5	1	20 - 13C
R122030	8F10	8	80 - 31	R122469	4D13	3	42 - 9	R122750	5E4	10	53 - 27
R122034	8H14	24	90 - 11	R122472	3D24	13	40 - 7	R122752	7G17	13	70 - 88
R122112	1D18	18	20 - 5	R122472	3E6	12	40 - 11	R122754	2G9	4	30 - 73
R122120	5E17	10	54 - 4	R122472	7E5	35	70 - 23	R122783	4E24	4	51 - 3
R122120	5F17	2	54 - 29	R122473	1I15	23	20 - 117	R122784	4E24	5	51 - 3
R122134	1I20	8	20 - 123	R122473	1I17	23	20 - 119	R122786	8F24	1	80 - 45
R122134	1I24	8	20 - 127	R122474	1E9	3	20 - 15	R122789	2E15	4	30 - 31
R122135	7F16	6	70 - 61	R122474	1F23	3	20 - 52	R122790	7G4	14	70 - 73
R122147	6G14	7	60 - 77	R122474	1H12	3	20 - 90	R122791	7G10	14	70 - 79
R122147	7H23	28	70 - 117	R122475	1E9	8	20 - 15	R122792	7F11	6	70 - 56
R122147	7H25	9	70 - 119	R122475	1F23	8	20 - 52	R122793	7F11	6	70 - 56
R122147	7I10	37	70 - 129	R122475	1H12	8	20 - 90	R122794	7F11	1	70 - 56
R122147	7I12	6	70 - 131	R122476	1E9	6	20 - 15	R122795	7F11	1	70 - 56
R122147	7I20	6	70 - 139	R122476	1F23	6	20 - 52	R122798	8H18	2	90 - 15
R122148	7H21	3	70 - 115	R122476	1H12	6	20 - 90	R122846	9D10	5	91 - 5
R122158	7E13	15	70 - 33	R122477	1E9	5	20 - 15	R122866	7F6	9	70 - 51
R122173	6D9	17	60 - 5	R122477	1F23	5	20 - 52	R122886	4G16	1	51 - 45
R122180	9F7	5	91 - 51	R122477	1H12	5	20 - 90	R122889	8G20	4	80 - 67
R122195	1F5	11	20 - 37	R122487	4D9	6	42 - 5	R122890	8G22	10	80 - 69
R122195	1F6	10	20 - 37A	R122487	4D13	5	42 - 9	R122901	5D6	19	53 - 3
R122195	1G19	11	20 - 73	R122487	4D21	6	42 - 17	R122901	5D8	19	53 - 5
R122195	1I7	11	20 - 109	R122488	4D9	9	42 - 5	R122901	5D10	1	53 - 7
R122196	1F5	9	20 - 37	R122488	4D11	1	42 - 7	R122901	7D11	9	70 - 3
R122196	1F6	8	20 - 37A	R122488	4D23	1	42 - 19	R122902	7D11	11	70 - 3
R122196	1G19	9	20 - 73	R122491	1D18	18	20 - 5	R122903	7D11	10	70 - 3
R122196	1I7	9	20 - 109	R122492	1F11	18	20 - 41	R122904	5E4	15	53 - 27
R122197	4F10	24	51 - 13	R122493	6F22	11B	60 - 65	R122905	5E2	8	53 - 25
R122197	4H12	26	51 - 65	R122502	2D20	3	30 - 12	R122906	5E4	26	53 - 27
R122199	2G7	22	30 - 71	R122502	2D24	3	30 - 16	R122907	5E4	23	53 - 27

NUMERICAL INDEX - CONTINUED

PART NO.	GRID	KEY	PAGE	PART NO.	GRID	KEY	PAGE	PART NO.	GRID	KEY	PAGE
R122908	5E4	1	53-27	R124184	9G1	2	92-12	R124338	6F22	21	60-65
R122909	5E6	8	53-29	R124186	1E23	8	20-29	R124338	6I6	15	60-117
R122910	5E4	13	53-27	R124186	1G16	13	20-69	R124344	6F14	17	60-57
R122912	5E4	18	53-27	R124186	1I2	13	20-105	R124344	6F16	17	60-59
R122914	5E6	7	53-29	R124191	9E3	2	91-22	R124344	6F22	19	60-65
R122915	5E6	9	53-29	R124193	9E10	7	91-29	R124347	7E8	9	70-28
R123139	3F12	4	40-43	R124194	9E10	7	91-29	R124347	7E9	7	70-29
R123139	3F13	6	40-44	R124202	9G8	3	92-19	R124347	7F6	14	70-51
R123139	3G18	9	40-74	R124207	9D16	7	91-11	R124351	9E10	21	91-29
R123139	8G18	1	80-65	R124208	1G14	10	20-66	R124352	9E10	21	91-29
R123962	7D15	14	70-7	R124208	1I4	10	20-107	R124353	8F8	10	80-29
R123963	7D15	15	70-7	R124209	8H16	2	90-13	R124354	1I13	1	20-115
R123973	9D18	3	91-13	R124210	8H18	3	90-15	R124359	3G14	7	40-71
R123974	9D18	9	91-13	R124211	1F5	19	20-37	R124359	3G16	16	40-72A
R123975	9D18	8	91-13	R124211	1F6	18	20-37A	R124360	9F7	23	91-51
R123976	9D18	8	91-13	R124211	1F8	37	20-39	R124362	2G7	2	30-71
R123986	9E14	24	91-33	R124211	1G19	19	20-73	R124363	2G7	3	30-71
R123987	9E14	24	91-33	R124211	1G21	8	20-75	R124374	8H14	8	90-11
R123988	6D23	7	60-18	R124211	1I7	19	20-109	R124377	8G5	8	80-52
R123988	6D24	7	60-19	R124211	1I9	8	20-111	R124377	8H14	27	90-11
R123993	2E9	3	30-27	R124225	3H11	2	40-91	R124378	8H18	9	90-15
R123999	3F25	23	40-57	R124231	8G5	7	80-52	R124379	5F2	2	54-15
R124004	4F16	1	51-19	R124231	8H21	2	90-18	R124380	5F2	2	54-15
R124004	4H18	1	51-71	R124235	9E3	5	91-22	R124381	1G5	1	20-57
R124005	4F16	7	51-19	R124238	8H18	15	90-15	R124381	1H18	1	20-96
R124005	4H18	7	51-71	R124241	3F25	6	40-57	R124404	5F10	14	54-21
R124005	9D12	12	91-7	R124242	6D11	6	60-7	R124404	5F23	10	54-35
R124006	7H21	4	70-115	R124249	8E22	3	80-17	R124417	9F11	56	91-53B
R124007	7H21	7	70-115	R124249	8E24	3	80-19	R124418	2E7	11	30-25
R124008	7H21	9	70-115	R124250	8E22	3	80-17	R124418	8F12	25	80-33
R124009	7H21	6	70-115	R124250	8E24	3	80-19	R124419	2E7	15	30-25
R124011	2G9	10	30-73	R124252	9E2	1	91-21	R124419	8F12	24	80-33
R124012	2G9	11	30-73	R124254	9F25	11	92-11	R124423	7G24	14	70-95
R124030	1G21	..	20-75	R124254	9G1	2	92-12	R124423	7H2	14	70-97
R124030	1I9	..	20-111	R124255	9D12	28	91-7	R124428	4E24	14	51-3
R124042	7E13	14A	70-33	R124256	8E22	12	80-17	R124428	4H2	14	51-55
R124043	7E13	5	70-33	R124261	4D25	8	42-21	R124430	6F3	16	60-47
R124044	7F22	3	70-67	R124262	4D25	12	42-21	R124431	1I18	1	20-120
R124045	7F20	5	70-65	R124263	4D25	12	42-21	R124432	9D24	1	91-19
R124045	7F22	5	70-67	R124264	4D25	8	42-21	R124433	8H15	5	90-12
R124049	5E7	8	53-30	R124268	9F7	31	91-51	R124441	6G14	17	60-77
R124067	6F4	1	60-49	R124270	9E8	4	91-27	R124445	7H23	21	70-117
R124097	3G6	8	40-63	R124272	9E8	4	91-27	R124446	7H23	23	70-117
R124097	3G8	8	40-65	R124274	3F25	25A	40-57	R124447	7H23	20	70-117
R124102	8E22	17	80-17	R124274	3F25	26	40-57	R124454	7H23	5	70-117
R124136	5E24	17	54-13	R124275	3G10	18	40-67	R124454	7H25	16	70-119
R124137	5E24	17	54-13	R124276	3G10	3	40-67	R124454	7I10	28	70-129
R124138	5E24	17	54-13	R124282	6F14	8	60-57	R124454	7I12	9	70-131
R124139	5E24	17	54-13	R124282	6F16	8	60-59	R124455	7H23	10	70-117
R124154	9F12	1	91-54	R124282	6F20	8	60-63	R124455	7I10	29	70-129
R124155	9G8	6	92-19	R124304	8F10	2	80-31	R124456	7H23	6	70-117
R124157	3F17	26	40-49	R124308	3E24	15	40-29	R124456	7H25	23	70-119
R124162	8E22	14	80-17	R124309	9F7	9	91-51	R124456	7I10	17	70-129
R124163	6G24	7	60-87	R124309	9F9	13	91-53	R124457	7H23	8	70-117
R124164	1I20	15	20-123	R124310	9D24	6	91-19	R124457	7H25	25	70-119
R124165	1I20	11	20-123	R124311	9D24	5	91-19	R124457	7I10	19	70-129
R124166	1I20	15	20-123	R124312	6F3	5	60-47	R124458	7H23	9	70-117
R124166	1I24	15	20-127	R124313	6F3	6	60-47	R124458	7H25	26	70-119
R124167	1I20	11	20-123	R124328	1G11	15	20-63	R124458	7I10	20	70-129
R124167	1I24	11	20-127	R124328	1H24	15	20-103	R124459	7H23	34	70-117
R124173	4F18	20	51-21	R124330	9D24	11	91-19	R124460	7H23	32	70-117
R124173	4H20	20	51-73	R124331	3H18	5	40-98	R124460	7H25	22	70-119
R124174	4F18	21	51-21	R124332	8H20	1	90-17	R124461	7H23	31	70-117
R124174	4H20	21	51-73	R124332	8H22	7	90-19	R124461	7H25	21	70-119
R124175	4F18	19	51-21	R124332	9E3	3	91-22	R124462	6E20	3	60-39
R124175	4H20	19	51-73	R124333	9G12	10	92-23	R124462	6E20	45	60-39
R124178	1E17	3	20-23	R124338	6F22	20	60-65	R124462	6E22	19	60-41

NUMERICAL INDEX - CONTINUED

PART NO.	GRID	KEY	PAGE	PART NO.	GRID	KEY	PAGE	PART NO.	GRID	KEY	PAGE
R124462	6F1	7	60-45	R124632	5D20	12	53-17	R124823	2D13	12	30-5
R124462	6F24	5	60-67	R124632	5D22	12	53-19	R124823	8F20	10	80-41
R124462	6G3	1	60-69B	R124632	5D24	12	53-21	R124824	6E4	16	60-23
R124462	6G5	7	60-69D	R124650	9D13	1	91-8	R124824	6E6	29	60-25
R124463	6E20	35	60-39	R124657	9E2	6	91-21	R124824	6E8	29	60-27
R124463	6E22	16	60-41	R124658	9E2	3	91-21	R124824	8F20	10	80-41
R124463	6F24	4	60-67	R124659	9E2	5	91-21	R124826	2D13	12	30-5
R124463	6G3	4	60-69B	R124660	9E2	7	91-21	R124828	7E5	33	70-23
R124463	6G5	8	60-69D	R124661	9E2	2	91-21	R124829	8G5	3	80-52
R124464	6E20	15	60-39	R124663	9E25	1	91-45	R124838	1I17	2	20-119
R124464	6E22	20	60-41	R124664	9E25	1	91-45	R124838	2D15	..	30-7
R124475	6E20	38	60-39	R124665	9F1	1	91-46	R124839	9D12	18	91-7
R124476	7I10	10	70-129	R124666	9F2	1	91-47	R124840	9D12	19	91-7
R124477	6E20	37	60-39	R124670	8F24	7	80-45	R124841	9D12	15	91-7
R124478	6E20	11	60-39	R124671	8F24	7	80-45	R124842	1G2	4	20-55A
R124480	7I2	3	70-121	R124673	7H19	1	70-113	R124842	1H18	1	20-96
R124480	7I10	3	70-129	R124675	3G8	15	40-65	R124848	2D11	7	30-3
R124482	7H23	4	70-117	R124679	2E7	4	30-25	R124857	4F14	7	51-17
R124482	7I10	25	70-129	R124681	7E5	1	70-23	R124858	9D13	1	91-8
R124493	6I6	6A	60-117	R124686	8G3	1	80-50	R124859	9G8	13	92-19
R124495	8H18	8	90-15	R124688	9E14	1	91-33	R124859	9G8	21	92-19
R124511	7H12	12	70-105	R124689	9E14	13	91-33	R124873	3G10	5	40-67
R124511	7H16	8A	70-109	R124690	9E14	20	91-33	R124886	5F11	1	54-22
R124515	8F12	22	80-33	R124691	9E14	6	91-33	R124887	8G5	1	80-52
R124518	8F17	8	80-38	R124693	8G18	2	80-65	R124893	9F25	1	92-11
R124525	6G18	7	60-81	R124694	9F5	3	91-49	R124896	9F25	20	92-11
R124530	3G2	9	40-59	R124695	9F5	3	91-49	R124897	9F25	16	92-11
R124530	8G12	8	80-59	R124701	5F2	26	54-15	R124898	9F25	6	92-11
R124530	8G18	3	80-65	R124701	5F4	32	54-17	R124900	9G4	6	92-15
R124530	9G8	16	92-19	R124711	3F25	24	40-57	R124900	9G8	11	92-19
R124552	4D20	6	42-16	R124712	3F25	4	40-57	R124902	9G4	12	92-15
R124552	4D21	3	42-17	R124715	8F9	1	80-30	R124902	9G8	10	92-19
R124556	8F14	7	80-35	R124716	3G25	2	40-81	R124903	9F25	23	92-11
R124557	8F14	5	80-35	R124719	4D8	12	42-4	R124908	9G8	8	92-19
R124558	8F14	7	80-35	R124720	9E10	15	91-29	R124926	1I20	27	20-123
R124559	8F14	5	80-35	R124721	9E10	15	91-29	R124926	1I24	27	20-127
R124563	8G16	3	80-63	R124725	4F20	7	51-23	R124951	8F20	3	80-41
R124564	9D16	1	91-11	R124725	4H22	7	51-75	R124952	4G6	16	51-35
R124565	9D16	5	91-11	R124733	9F2	14	91-47	R124952	4G8	33	51-37
R124576	4G12	9	51-41	R124745	5E24	7	54-13	R124952	4G8	38	51-37
R124576	4I16	9	51-93	R124745	5G6	1	54-43	R124952	4I12	38	51-89
R124576	5F2	24	54-15	R124745	5G6	..	54-43	R124957	5E16	7	54-3
R124576	5F4	30	54-17	R124746	1E21	11	20-27	R124958	8E12	2	80-5
R124577	9D24	1	91-19	R124754	8F14	9	80-35	R124959	8E12	3	80-5
R124578	8H10	30	90-7	R124755	8F14	9	80-35	R124959	8E12	9	80-5
R124578	8H12	19	90-9	R124756	8F12	17	80-33	R124961	8E12	8	80-5
R124579	2D15	5	30-7	R124757	8F12	18	80-33	R124962	8E12	10	80-5
R124581	3I18	..	41-7	R124758	8F12	16	80-33	R125024	9D12	38	91-7
R124593	9F7	35	91-51	R124759	1I15	15	20-117	R125027	1E16	3	20-22
R124607	1F5	8	20-37	R124759	1I17	15	20-119	R125027	1G7	3	20-59
R124607	1F6	7	20-37A	R124770	9E14	25	91-33	R125027	1H19	3	20-97
R124607	1F8	17	20-39	R124771	3H11	5	40-91	R125033	1I20	13	20-123
R124607	1F8	37	20-39	R124780	7F12	2	70-57	R125033	1I24	13	20-127
R124607	1G19	8	20-73	R124781	8F12	9	80-33	R125034	1I20	18	20-123
R124607	1G21	7	20-75	R124782	8F12	7	80-33	R125034	1I24	18	20-127
R124607	1I7	8	20-109	R124785	1J7	8	20-135	R125035	1I20	30	20-123
R124607	1I9	7	20-111	R124786	1J9	8	20-137	R125035	1I24	30	20-127
R124616	8F24	5	80-45	R124786	6H19	6	60-107	R125036	1I20	4	20-123
R124617	8F24	5	80-45	R124800	9D16	1	91-11	R125036	1I24	4	20-127
R124619	6D13	2	60-9	R124804	3D24	13	40-7	R125037	1I20	29	20-123
R124622	1J4	1	20-131	R124807	7I20	12	70-139	R125037	1I24	29	20-127
R124629	5D18	14	53-15	R124807	7I22	2	70-141	R125046	8D15	56	71-13
R124629	5D20	15	53-17	R124807	7I24	4	70-143	R125050	8D15	8	71-13
R124629	5D22	15	53-19	R124812	3F23	9	40-55	R125050	8D17	11	71-15
R124630	5D22	15	53-19	R124815	6F4	3	60-49	R125051	8D15	1	71-13
R124630	5D24	6	53-21	R124816	4F14	5	51-17	R125053	8D15	11	71-13
R124631	5D18	11	53-15	R124819	7F12	1	70-57	R125054	8D15	37	71-13

NUMERICAL INDEX - CONTINUED

PART NO.	GRID	KEY	PAGE	PART NO.	GRID	KEY	PAGE	PART NO.	GRID	KEY	PAGE
R125055	8D15	25	71 - 13	R125209	4H4	14	51 - 57	R125634	9E18	7	91 - 37
R125056	8D15	32	71 - 13	R125216	1I20	11	20 - 123	R125634	9E20	7	91 - 39
R125057	8D15	39	71 - 13	R125216	1I20	15	20 - 123	R125635	1I11	4	20 - 113
R125058	8D15	55	71 - 13	R125217	1I20	11	20 - 123	R125666	6F4	5	60 - 49
R125059	8D15	45	71 - 13	R125217	1I20	15	20 - 123	R125667	6F4	4	60 - 49
R125060	8D15	40	71 - 13	R125218	1I24	15	20 - 127	R125700	5D14	6	53 - 11
R125061	8D15	54	71 - 13	R125219	1I24	11	20 - 127	R125713	9E18	8	91 - 37
R125062	8D15	34	71 - 13	R125223	8H12	10	90 - 9	R125713	9E20	8	91 - 39
R125064	4F4	1	51 - 7	R125223	8H20	35	90 - 17	R125746	1J7	10	20 - 135
R125064	4F6	13	51 - 9	R125242	9F7	24	91 - 51	R125746	1J9	12	20 - 137
R125064	4F10	18	51 - 13	R125324	6H15	3	60 - 103	R125747	1J7	11	20 - 135
R125064	4F12	7	51 - 15	R125324	6H17	3	60 - 105	R125747	1J9	13	20 - 137
R125064	4G10	25	51 - 39	R125325	3H22	18	40 - 103	R125844	9E18	13	91 - 37
R125064	4H6	1	51 - 59	R125344	2G9	17	30 - 73	R125844	9E20	13	91 - 39
R125064	4H12	12	51 - 65	R125345	8G16	10	80 - 63	R125848	4F12	4	51 - 15
R125064	4I14	25	51 - 91	R125345	9D12	32	91 - 7	R125848	4H14	4	51 - 67
R125069	5D18	15	53 - 15	R125346	7D23	32	70 - 15	R125855	1E2	1	20 - 13
R125069	5D20	16	53 - 17	R125346	7D25	32	70 - 17	R125855	1E4	1	20 - 13B
R125069	5D22	16	53 - 19	R125347	7D23	33	70 - 15	R125855	1E5	1	20 - 13C
R125070	5D22	16	53 - 19	R125347	7D25	33	70 - 17	R125855	1E6	1	20 - 13D
R125070	5D24	4	53 - 21	R125362	5D18	27	53 - 15	R125855	1E7	1	20 - 13E
R125078	9F12	5	91 - 54	R125362	5D20	27	53 - 17	R125855	1E9	1	20 - 15
R125085	8F24	12	80 - 45	R125362	5D22	27	53 - 19	R125855	1F20	1	20 - 49
R125086	5E4	9	53 - 27	R125362	5D24	3	53 - 21	R125855	1F22	1	20 - 51
R125090	8D15	32	71 - 13	R125363	9E14	9	91 - 33	R125855	1F23	1	20 - 52
R125091	7H18	10	70 - 111	R125365	1I11	43	20 - 113	R125855	1H7	1	20 - 85
R125092	7H12	6	70 - 105	R125379	4F14	9	51 - 17	R125855	1H9	1	20 - 87
R125093	7H12	6	70 - 105	R125379	4H16	9	51 - 69	R125855	1H11	1	20 - 89
R125094	7H12	6	70 - 105	R125390	7F20	3	70 - 65	R125855	1H12	1	20 - 90
R125095	7H12	6	70 - 105	R125391	8F24	19	80 - 45	R125869	9F13	4	91 - 55
R125096	7H12	6	70 - 105	R125396	7J6	22	70 - 149	R125873	3F25	10	40 - 57
R125098	9F1	12	91 - 46	R125397	7J6	12	70 - 149	R125873	3F25	11	40 - 57
R125098	9F2	15	91 - 47	R125397	7J8	12	70 - 151	R125874	4D16	18	42 - 12
R125138	3F17	23	40 - 49	R125398	7J6	17	70 - 149	R125877	3G6	5	40 - 63
R125138	3F19	23	40 - 51	R125398	7J8	17	70 - 151	R125878	3G6	7	40 - 63
R125138	8G18	4	80 - 65	R125399	7J6	10	70 - 149	R125878	3G8	7	40 - 65
R125140	7H10	19	70 - 103	R125399	7J8	10	70 - 151	R125879	3G6	9	40 - 63
R125140	7H16	17	70 - 109	R125408	8G6	3	80 - 53	R125879	3G8	9	40 - 65
R125144	4F16	11	51 - 19	R125449	7F18	15	70 - 63	R125899	9G4	8	92 - 15
R125144	4H18	11	51 - 71	R125450	7F18	2	70 - 63	R125905	9E18	4	91 - 37
R125144	9D12	10	91 - 7	R125450	7F24	4	70 - 69	R125905	9E20	25	91 - 39
R125147	9E3	2	91 - 22	R125454	8H14	31	90 - 11	R125905	9F12	10	91 - 54
R125149	8D15	4	71 - 13	R125454	8H20	25	90 - 17	R125906	9E18	4	91 - 37
R125153	6D24	3	60 - 19	R125461	6E6	25	60 - 25	R125906	9E20	25	91 - 39
R125161	4D17	9	42 - 13	R125461	6E8	25	60 - 27	R125906	9F12	10	91 - 54
R125162	8E16	9	80 - 9	R125467	8H16	5	90 - 13	R125915	3G10	10	40 - 67
R125163	8E16	13	80 - 9	R125468	2D20	5	30 - 12	R125933	9G4	7	92 - 15
R125164	8E16	13	80 - 9	R125468	2D24	5	30 - 16	R125933	9G8	12	92 - 19
R125166	1I11	32	20 - 113	R125468	2E4	5	30 - 21	R125955	8F10	3	80 - 31
R125166	1I13	6	20 - 115	R125469	2D20	4	30 - 12	R125963	7D23	21	70 - 15
R125168	8G6	12	80 - 53	R125469	2D24	4	30 - 16	R125963	7D25	21	70 - 17
R125169	8G6	12	80 - 53	R125469	2E4	4	30 - 21	R125963	7I16	7	70 - 135
R125170	1I13	11	20 - 115	R125472	3I22	..	41 - 12	R125964	3F13	5	40 - 44
R125175	1I11	26	20 - 113	R125473	8G22	4	80 - 69	R125971	4F14	5	51 - 17
R125175	8H14	1	90 - 11	R125474	8G20	3	80 - 67	R125971	4H16	5	51 - 69
R125178	5E4	7	53 - 27	R125475	8E22	13	80 - 17	R125972	4F14	7	51 - 17
R125180	1I20	14	20 - 123	R125475	8E22	16	80 - 17	R125972	4H16	7	51 - 69
R125180	1I24	14	20 - 127	R125475	8E24	12	80 - 19	R125974	8E10	7	80 - 3
R125189	8G12	1	80 - 59	R125484	8H10	7	90 - 7	R125974	8E12	7	80 - 5
R125190	8G12	1	80 - 59	R125498	2F18	4	30 - 55	R125980	5E4	3	53 - 27
R125192	8G2	6	80 - 49	R125512	6F14	13	60 - 57	R125981	9E20	5	91 - 39
R125193	3H11	10	40 - 91	R125531	7I20	12	70 - 139	R125991	4F8	6	51 - 11
R125196	4G2	3	51 - 31	R125532	8E16	12	80 - 9	R125992	4F8	12	51 - 11
R125196	4I6	3	51 - 83	R125547	6F22	7	60 - 65	R125999	6F3	7	60 - 47
R125208	4F2	12	51 - 5	R125553	2G7	13	30 - 71	R126002	5D16	19	53 - 13
R125208	4H4	12	51 - 57	R125563	3I2	11	40 - 107	R126003	8F24	4	80 - 45
R125209	4F2	14	51 - 5	R125563	3I4	5	40 - 109	R126009	3F17	41	40 - 49

NUMERICAL INDEX - CONTINUED

PART NO.	GRID	KEY	PAGE	PART NO.	GRID	KEY	PAGE	PART NO.	GRID	KEY	PAGE
R126009	3F19	42	40-51	R126466	8G14	1	80-61	R126911	6D9	17	60-5
R126009	8G18	8	80-65	R126467	3G2	4	40-59	R126912	1E9	11	20-15
R126009	9D16	18	91-11	R126467	8G14	2	80-61	R126912	1F23	11	20-52
R126010	3F17	41	40-49	R126468	3G2	2	40-59	R126912	1H12	11	20-90
R126010	3F19	42	40-51	R126468	8G14	3	80-61	R126919	4D17	9	42-13
R126010	8G18	9	80-65	R126470	8D15	51	71-13	R126920	4D16	18	42-12
R126014	4F8	9	51-11	R126473	9G8	19	92-19	R126927	8D13	14	71-11
R126024	6D9	6	60-5	R126490	8F12	32	80-33	R126928	8D13	15	71-11
R126025	9D18	1	91-13	R126503	6F14	13	60-57	R126929	8D13	27	71-11
R126026	9D18	2	91-13	R126503	6F16	13	60-59	R126929	8D15	18	71-13
R126027	5E2	10	53-25	R126506	5D14	1	53-11	R126944	8G7	5	80-54
R126027	5E4	17	53-27	R126510	7F18	16	70-63	R126944	8G8	5	80-55
R126032	9D20	4	91-15	R126510	7F20	2	70-65	R126945	8G7	6	80-54
R126033	3H22	20	40-103	R126510	7F22	2	70-67	R126945	8G8	6	80-55
R126039	6D9	3	60-5	R126525	2G9	10	30-73	R126946	8G7	1	80-54
R126039	6D11	5	60-7	R126532	7H12	12	70-105	R126947	8G7	2	80-54
R126040	6D9	10	60-5	R126532	7H12	13	70-105	R126948	8G7	3	80-54
R126103	9F12	10	91-54	R126532	7H16	8A	70-109	R126949	8G7	4	80-54
R126104	5E4	19	53-27	R126532	7H16	8B	70-109	R126950	8G8	1	80-55
R126105	9F12	10	91-54	R126536	3F12	4	40-43	R126951	8G8	2	80-55
R126161	9E18	2	91-37	R126536	3G18	10	40-74	R126952	8G8	3	80-55
R126161	9E20	21	91-39	R126537	3F13	6	40-44	R126953	8G8	4	80-55
R126174	9D24	13	91-19	R126547	3E14	13	40-19	R127150	8D17	2	71-15
R126184	9F5	29	91-49	R126547	8H16	11	90-13	R127172	8D13	16	71-11
R126271	9F9	27	91-53	R126547	8H20	13	90-17	R127176	2F16	11	30-53
R126271	9F11	49	91-53B	R126547	8H20	15	90-17	R127176	2F25	11	30-62
R126274	9F7	31	91-51	R126556	7H21	5	70-115	R127177	8G6	5	80-53
R126274	9F9	2	91-53	R126561	9G8	6	92-19	R127179	6I6	6A	60-117
R126275	9F11	50	91-53B	R126566	5E18	1	54-5	R127181	2F25	11	30-62
R126282	9F9	31	91-53	R126569	6D11	6	60-7	R127194	4D9	2	42-5
R126337	1G13	5	20-65	R126570	6D11	2	60-7	R127195	4D9	2	42-5
R126337	1I3	5	20-106	R126570	6D11	6	60-7	R127196	4G2	22	51-31
R126355	3H24	6	40-105	R126570	6D11	16	60-7	R127196	4I6	22	51-83
R126355	9E2	4	91-21	R126571	6E18	5	60-37	R127197	4F14	6	51-17
R126355	9E4	1	91-23	R126585	8G18	..	80-65	R127213	8D13	28	71-11
R126355	9G8	2	92-19	R126587	8E22	3	80-17	R127213	8D15	19	71-13
R126365	9F9	27	91-53	R126587	8E24	3	80-19	R127214	8D13	18	71-11
R126381	6E4	21	60-23	R126588	8D19	4	71-17	R127216	9F9	27	91-53
R126381	6E6	21	60-25	R126616	7J6	1	70-149	R127216	9F11	38	91-53B
R126381	6E8	21	60-27	R126616	7J8	1	70-151	R127224	9F25	16	92-11
R126384	6F3	4	60-47	R126620	7I18	3	70-137	R127235	1I2	10	20-105
R126387	8G5	1	80-52	R126636	6D13	1	60-9	R127235	1I2	16	20-105
R126390	5F2	6	54-15	R126640	6D13	3	60-9	R127236	1I2	16	20-105
R126404	1I11	41	20-113	R126641	6D13	4	60-9	R127240	8F9	1	80-30
R126404	1I13	17	20-115	R126645	2D15	5	30-7	R127245	1I13	16	20-115
R126408	7E13	14A	70-33	R126656	2G9	10	30-73	R127247	5D18	2	53-15
R126408	7E13	14B	70-33	R126716	3G19	6	40-75	R127247	5D20	3	53-17
R126408	7F6	9	70-51	R126716	9E10	12	91-29	R127247	5D22	3	53-19
R126422	5E16	18	54-3	R126721	8D13	8	71-11	R127248	9D12	22	91-7
R126422	5F13	18	54-25	R126747	8D13	13	71-11	R127282	8E24	11	80-19
R126432	1F13	7	20-42A	R126748	8D13	26	71-11	R127297	1G14	11	20-66
R126432	1G25	7	20-78A	R126776	9D12	17	91-7	R127297	1I4	11	20-107
R126436	5F2	10	54-15	R126776	9D12	35	91-7	R127372	5E16	7	54-3
R126436	5F4	12	54-17	R126777	8F14	1	80-35	R127415	1I2	2	20-105
R126437	5F2	10	54-15	R126777	8F14	2	80-35	R127416	7I2	3	70-121
R126437	5F4	12	54-17	R126792	1I24	15	20-127	R127416	7I10	3	70-129
R126441	2G7	8	30-71	R126793	1I24	11	20-127	R127420	5E16	7	54-3
R126441	2G7	28	30-71	R126805	8F20	3	80-41	R127420	5E17	3	54-4
R126458	5E22	5	54-10	R126814	8D13	43	71-11	R127420	5F13	7	54-25
R126459	5E22	4	54-10	R126821	4I14	21	51-91	R127437	4D21	4	42-17
R126463	3G6	1	40-63	R126822	7G14	5	70-83	R127581	7F20	8	70-65
R126463	8G14	4	80-61	R126868	8D11	4	71-9	R127581	7F22	8	70-67
R126464	3G6	2	40-63	R126870	8D11	5	71-9	R127582	7F20	17	70-65
R126464	8G14	5	80-61	R126873	8D11	6	71-9	R127592	9F25	16	92-11
R126465	3G6	3	40-63	R126874	8D11	7	71-9	R127595	1F5	18	20-37
R126465	8G14	6	80-61	R126891	8D7	11	71-5	R127595	1F6	17	20-37A
R126466	3G4	1	40-61	R126895	7G10	14	70-79	R127595	2E19	6	30-33

NUMERICAL INDEX - CONTINUED

PART NO.	GRID	KEY	PAGE	PART NO.	GRID	KEY	PAGE	PART NO.	GRID	KEY	PAGE
R127595	2E19	10	30-33	R128179	9D10	4	91-5	R129746	9D20	3	91-15
R127595	2E19	11	30-33	R128226	8E8	1	80-1	R129794	9G8	3	92-19
R127647	8H15	6	90-12	R128232	9F25	8	92-11	R129820	1G16	10	20-69
R127660	5F2	2	54-15	R128323	9F25	20	92-11	R129820	1G16	16	20-69
R127660	5F4	2	54-17	R128326	4D9	1	42-5	R129820	1I2	10	20-105
R127661	5F2	2	54-15	R128326	4D14	1	42-10	R129820	1I2	16	20-105
R127661	5F4	2	54-17	R128326	8G6	4	80-53	R129821	1G16	16	20-69
R127696	9E10	3	91-29	R128328	5D16	1	53-13	R129821	1I2	10	20-105
R127696	9E12	3	91-31	R128328	5D16	20	53-13	R129821	1I2	16	20-105
R127697	9E10	3	91-29	R128359	5E16	11	54-3	R129839	1I20	30	20-123
R127697	9E12	3	91-31	R128359	5F13	11	54-25	R129839	1I24	30	20-127
R127698	9E11	8	91-30	R128360	5E16	23	54-3	R129869	4D14	2	42-10
R127699	9E2	6	91-21	R128360	5E17	3	54-4	R130024	3G10	18	40-67
R127700	9E2	3	91-21	R128360	5F13	12	54-25	R130025	3G10	15	40-67
R127701	9E2	5	91-21	R128387	3F13	6	40-44	R130026	3G10	14	40-67
R127702	9E2	7	91-21	R128387	7F15	2A	70-60	R130069	5F19	1	54-31
R127703	9E2	2	91-21	R128387	7F15	2B	70-60	R130069	5F21	10	54-33
R127704	7F24	9	70-69	R128397	4F18	23	51-21	R130078	5F23	9	54-35
R127705	7F24	9	70-69	R128397	4H20	23	51-73	R130135	1I22	14	20-125
R127712	9G12	9	92-23	R128490	2E11	1	30-29	R130135	1J2	14	20-129
R127714	9D20	2	91-15	R128490	2E12	1	30-29A	R130141	1I22	20	20-125
R127714	9G12	10	92-23	R128500	8G6	12	80-53	R130141	1J2	20	20-129
R127715	5F2	12	54-15	R128557	1E23	1	20-29	R130318	9F12	1	91-54
R127718	9F1	12	91-46	R128557	1F8	33	20-39	R130503	9E10	24	91-29
R127718	9F2	15	91-47	R128558	1E23	3	20-29	R130504	9E10	24	91-29
R127727	7J8	22	70-151	R128558	1F8	29	20-39	R130505	9E10	24	91-29
R127764	8F17	7	80-38	R128681	4F2	1	51-5	R130506	9E10	24	91-29
R127767	9F12	12	91-54	R128681	4F4	2	51-7	R130509	9E10	1	91-29
R127769	9E16	2	91-35	R128681	4F6	1	51-9	R130510	9E10	1	91-29
R127769	9E18	9	91-37	R128681	4F8	1	51-11	R130518	9F5	3	91-49
R127769	9E20	9	91-39	R128681	4F10	1	51-13	R130522	9F5	3	91-49
R127771	6E20	41	60-39	R128681	4F12	1	51-15	R130547	5E24	17	54-13
R127771	6E24	4	60-43	R128681	4F14	8	51-17	R130548	5E24	17	54-13
R127771	6F24	6	60-67	R128694	1G16	2	20-69	R130549	5E24	17	54-13
R127771	6F25	3	60-68	R128694	1I2	2	20-105	R130550	5E24	17	54-13
R127771	6G3	18	60-69B	R128695	9F11	50	91-53B	R130561	1I22	19	20-125
R127791	2D15	5	30-7	R128728	9E4	1	91-23	R130561	1J2	19	20-129
R127830	4E24	4	51-3	R128728	9E5	2	91-24	R130561	4F23	2	51-27
R127830	4H2	4	51-55	R128728	9E6	2	91-25	R130561	4G14	3	51-43
R127831	4E24	5	51-3	R128775	4G6	2	51-35	R130561	4I2	2	51-79
R127831	4H2	5	51-55	R128775	4I10	2	51-87	R130561	4I18	3	51-95
R127832	4E24	4	51-3	R128779	9D10	7	91-5	R130562	4D8	12	42-4
R127832	4E24	18	51-3	R128829	9D10	7	91-5	R130599	5E22	6	54-10
R127832	4H2	18	51-55	R128894	3F12	4	40-43	R130638	7G4	14	70-73
R127837	8G6	12	80-53	R128894	3G18	9	40-74	R130638	7G10	14	70-79
R127849	3F25	13	40-57	R128894	8G18	1	80-65	R130638	7G12	4	70-81
R127849	3F25	25B	40-57	R128990	9E25	1	91-45	R130639	4D13	3	42-9
R127857	9D24	6	91-19	R128991	9E25	1	91-45	R130753	5G2	14	54-39
R127858	9D24	5	91-19	R129049	7I2	10	70-121	R130753	5G4	14	54-41
R127877	8D19	10	71-17	R129049	7I10	39	70-129	R130806	7G4	15	70-73
R127879	3F25	5	40-57	R129054	1J4	1	20-131	R130806	7G8	2A	70-77
R127879	3F25	10	40-57	R129077	9E18	2	91-37	R130806	7G8	3	70-77
R127879	3F25	13	40-57	R129077	9E20	21	91-39	R130806	7G8	4	70-77
R127879	3G4	3	40-61	R129090	5E17	1	54-4	R130806	7G8	6	70-77
R127887	8F10	9	80-31	R129090	5E17	3	54-4	R130806	7G10	15	70-79
R127893	3G6	5	40-63	R129108	5E18	1	54-5	R130806	7G16	2A	70-85
R127893	3G8	5	40-65	R129108	5G2	13	54-39	R130806	7G16	3	70-85
R127903	9F5	3	91-49	R129108	5G4	13	54-41	R130806	7G16	4	70-85
R127904	9F5	30	91-49	R129245	1I22	24	20-125	R130835	8H14	24	90-11
R128036	8D17	6	71-15	R129245	1J2	24	20-129	R130848	2D15	5	30-7
R128043	7J8	21	70-151	R129377	9E16	8	91-35	R130894	4G12	22	51-41
R128044	7E13	5	70-33	R129377	9E16	15	91-35	R130894	5E16	2	54-3
R128044	7F6	9	70-51	R129433	9F12	13	91-54	R130894	5E16	21	54-3
R128093	7J8	25	70-151	R129518	3F23	7	40-55	R130894	5F13	2	54-25
R128134	7F6	9	70-51	R129557	5D16	19	53-13	R130895	4G12	22	51-41
R128164	6F22	20	60-65	R129605	8F1	1	80-21	R130895	4I16	22	51-93
R128164	6F22	21	60-65	R129727	7J8	17	70-151	R130895	5E16	2	54-3

NUMERICAL INDEX - CONTINUED

PART NO.	GRID	KEY	PAGE	PART NO.	GRID	KEY	PAGE	PART NO.	GRID	KEY	PAGE
R130895	5E16	21	54-3	R131673	5F25	7	54-37	R132245	4I2	20	51-79
R130895	5F13	21	54-25	R131675	5F25	7	54-37	R132246	4G2	31	51-31
R130921	9G1	8	92-12	R131676	5F25	7	54-37	R132246	4I6	31	51-83
R130953	7G4	1	70-73	R131677	7H23	16	70-117	R132247	4F25	32	51-29
R130953	7G10	1	70-79	R131677	7H23	38	70-117	R132247	4I4	32	51-81
R130953	7G12	1	70-81	R131738	5F10	23	54-21	R132248	4G8	45	51-37
R130953	7G20	1	70-91	R131740	5F10	12	54-21	R132248	4I12	45	51-89
R130962	7J4	13	70-147	R131751	9D22	21	91-17	R132249	4G6	27	51-35
R130981	7G20	5	70-91	R131807	8F21	4	80-42	R132249	4I10	27	51-87
R130981	7J6	1	70-149	R131807	8F22	4	80-43	R132250	4G6	11	51-35
R130981	7J8	1	70-151	R131808	8F21	4	80-42	R132250	4I10	11	51-87
R130982	7G4	8	70-73	R131808	8F22	4	80-43	R132275	6D13	2	60-9
R130982	7G10	8	70-79	R131811	4G12	2	51-41	R132322	8F8	3	80-29
R130982	7G12	5	70-81	R131811	4I16	2	51-93	R132326	5D12	8	53-9
R130988	9F25	1	92-11	R131875	4E24	14	51-3	R132496	1J2	6	20-129
R130988	9F25	20	92-11	R131966	9E10	9	91-29	R132497	1I22	6	20-125
R130988	9F25	22	92-11	R131967	9E10	9	91-29	R132498	1I22	3	20-125
R130989	9F25	1	92-11	R131970	9E10	7	91-29	R132498	1J2	3	20-129
R130990	9F25	20	92-11	R131971	9E10	7	91-29	R132499	1J2	3	20-129
R131047	3G10	7	40-67	R131975	9E10	21	91-29	R132540	2G7	8	30-71
R131047	3G10	8	40-67	R131976	9E10	21	91-29	R132544	7G16	5	70-85
R131074	9E14	16	91-33	R131977	9E10	15	91-29	R132545	7G8	5	70-77
R131135	3G10	7	40-67	R131978	9E10	15	91-29	R132561	9E8	3	91-27
R131135	3G10	8	40-67	R131985	5F25	7	54-37	R132561	9E10	3	91-29
R131148	7D17	3	70-9	R131991	3H22	5	40-103	R132562	9E8	3	91-27
R131149	7D17	4	70-9	R131996	5F19	12	54-31	R132562	9E10	3	91-29
R131165	9F9	1	91-53	R131996	5F21	3	54-33	R132574	5D14	6	53-11
R131166	9F9	1	91-53	R131997	5F19	12	54-31	R132720	8G16	5	80-63
R131192	8H14	4	90-11	R131997	5F21	3	54-33	R132823	8F25	1	80-46
R131193	8H14	28	90-11	R131998	5F19	12	54-31	R132823	8G1	1	80-48
R131196	6F10	11	60-53	R131998	5F21	3	54-33	R132824	8F25	11	80-46
R131196	6F12	8	60-55	R131999	5F19	12	54-31	R132824	8G1	11	80-48
R131197	6F10	12	60-53	R131999	5F21	3	54-33	R132840	6E20	21	60-39
R131197	6F12	9	60-55	R132000	5F19	12	54-31	R132841	6E20	22	60-39
R131208	9F5	3	91-49	R132000	5F21	3	54-33	R132843	6E20	33	60-39
R131213	1I22	5	20-125	R132001	5F19	12	54-31	R132843	6E24	5	60-43
R131213	1J2	5	20-129	R132001	5F21	3	54-33	R132852	7E13	17	70-33
R131221	2D13	5	30-5	R132015	8G9	1	80-56	R132860	4G14	7	51-43
R131222	1I22	12	20-125	R132016	8G9	2	80-56	R132860	4I18	7	51-95
R131222	1J2	12	20-129	R132017	8G9	3	80-56	R132916	5G2	13	54-39
R131224	1I18	1	20-120	R132018	8G9	4	80-56	R132916	5G4	13	54-41
R131226	8F12	35	80-33	R132019	8G10	1	80-57	R132971	5E21	9	54-9
R131261	9F11	57	91-53B	R132020	8G10	2	80-57	R132971	5G2	3	54-39
R131275	1I22	1	20-125	R132021	8G10	3	80-57	R132971	5G4	3	54-41
R131275	1J2	1	20-129	R132022	8G10	4	80-57	R133053	3G6	1	40-63
R131334	9D20	5	91-15	R132027	8H14	8	90-11	R133053	8G14	4	80-61
R131336	5G2	6	54-39	R132030	8E8	1	80-1	R133054	3G6	2	40-63
R131346	5G2	11	54-39	R132066	3H9	5	40-89	R133054	8G14	5	80-61
R131346	5G4	11	54-41	R132098	8G16	2	80-63	R133055	3G6	3	40-63
R131351	9E11	2	91-30	R132099	8G16	2	80-63	R133055	8G14	6	80-61
R131356	9F9	27	91-53	R132143	9D22	5	91-17	R133056	3G8	1	40-65
R131356	9F9	32	91-53	R132149	9D16	7	91-11	R133056	8G14	7	80-61
R131418	5G4	2	54-41	R132150	3F11	8	40-42	R133057	3G2	4	40-59
R131432	4D5	3	42-1	R132150	3F19	26	40-51	R133057	8G14	2	80-61
R131432	9E8	9	91-27	R132236	4F23	8	51-27	R133058	3G2	2	40-59
R131498	9D22	14	91-17	R132236	4G2	19	51-31	R133058	8G14	3	80-61
R131499	9D22	11	91-17	R132236	4I2	8	51-79	R133095	4I2	14	51-79
R131511	5G2	7	54-39	R132236	4I6	19	51-83	R133095	4I4	26	51-81
R131511	5G4	7	54-41	R132237	4F25	46	51-29	R133095	4I4	38	51-81
R131520	1I11	39	20-113	R132237	4G14	19	51-43	R133095	4I6	13	51-83
R131646	1I11	35	20-113	R132237	4I4	46	51-81	R133095	4I6	25	51-83
R131667	8E24	8	80-19	R132237	4I18	19	51-95	R133135	1G14	4	20-66
R131671	3F2	2	40-32	R132239	4F25	47	51-29	R133135	1I4	4	20-107
R131671	3F3	2	40-33	R132239	4G14	20	51-43	R133149	5G2	10	54-39
R131671	3F17	40	40-49	R132239	4I4	47	51-81	R133149	5G4	10	54-41
R131671	3F19	41	40-51	R132239	4I18	20	51-95	R133192	3F2	4	40-32
R131671	9D22	9	91-17	R132245	4F23	20	51-27	R133192	3F3	4	40-33

NUMERICAL INDEX - CONTINUED

PART NO.	GRID	KEY	PAGE	PART NO.	GRID	KEY	PAGE	PART NO.	GRID	KEY	PAGE
R133192	9D22	15	91 - 17	R134224	8E12	9	80 - 5	R135359	2D20	4	30 - 12
R133288	5F25	11	54 - 37	R134232	7F11	3	70 - 56	R135359	2D20	5	30 - 12
R133301	4D7	5	42 - 3	R134232	7H14	12	70 - 107	R135359	2D20	9	30 - 12
R133302	4D7	6	42 - 3	R134250	9G12	9	92 - 23	R135359	2D24	3	30 - 16
R133415	7G17	13	70 - 88	R134287	9E3	4	91 - 22	R135359	2D24	4	30 - 16
R133415	7G20	6	70 - 91	R134324	3F7	9	40 - 37	R135359	2D24	5	30 - 16
R133439	9E8	4	91 - 27	R134324	8G16	2	80 - 63	R135359	2D24	9	30 - 16
R133440	9E8	4	91 - 27	R134325	3F7	9	40 - 37	R135359	2E4	3	30 - 21
R133450	9F5	20	91 - 49	R134325	8G16	2	80 - 63	R135359	2E4	4	30 - 21
R133450	9F5	21	91 - 49	R134326	3H24	5	40 - 105	R135359	2E4	5	30 - 21
R133450	9F5	33	91 - 49	R134351	9G4	12	92 - 15	R135359	2E4	9	30 - 21
R133450	9F5	38	91 - 49	R134351	9G8	10	92 - 19	R135364	4I10	16	51 - 87
R133497	6F20	10	60 - 63	R134352	9G4	6	92 - 15	R135364	4I12	33	51 - 89
R133517	6F20	7	60 - 63	R134352	9G8	11	92 - 19	R135380	4I12	35	51 - 89
R133529	8G5	7	80 - 52	R134390	4H22	10	51 - 75	R135480	3G19	11	40 - 75
R133529	8H21	2	90 - 18	R134391	4H22	18	51 - 75	R135480	8G16	7	80 - 63
R133544	6F20	17	60 - 63	R134401	9D20	3	91 - 15	R135481	3G19	11	40 - 75
R133544	6F22	19	60 - 65	R134401	9G12	10	92 - 23	R135481	8G16	6	80 - 63
R133546	6F18	2	60 - 61	R134402	9D20	2	91 - 15	R135509	3I21	11	41 - 11
R133546	6F20	9	60 - 63	R134449	3F25	19	40 - 57	R135510	3I21	9	41 - 11
R133546	6I6	6B	60 - 117	R134482	9E20	5	91 - 39	R135516	4F18	1	51 - 21
R133564	6E2	3	60 - 21B	R134562	8F24	5	80 - 45	R135516	4F20	4	51 - 23
R133572	6E2	8	60 - 21B	R134563	8F24	5	80 - 45	R135516	4H20	1	51 - 73
R133596	9F1	4	91 - 46	R134581	4H12	25	51 - 65	R135516	4H22	4	51 - 75
R133596	9F2	5	91 - 47	R134582	4H12	7	51 - 65	R135537	4F20	13	51 - 23
R133598	9D12	22	91 - 7	R134583	4H12	24	51 - 65	R135537	4H22	13	51 - 75
R133631	9D16	5	91 - 11	R134584	4H12	10	51 - 65	R135543	5D16	5	53 - 13
R133632	8G18	4	80 - 65	R134605	9G4	7	92 - 15	R135543	5D18	6	53 - 15
R133691	7E13	15	70 - 33	R134605	9G8	12	92 - 19	R135543	5D20	7	53 - 17
R133726	8F25	8	80 - 46	R134619	9F11	55	91 - 53B	R135543	5D22	7	53 - 19
R133726	8G1	8	80 - 48	R134646	8H14	25	90 - 11	R135621	4H22	..	51 - 75
R133727	8F25	8	80 - 46	R134647	9E14	16	91 - 33	R135658	9E10	21	91 - 29
R133727	8G1	8	80 - 48	R134667	7F22	19	70 - 67	R135659	9E10	21	91 - 29
R133728	8F25	7	80 - 46	R134668	7G22	8	70 - 93	R135703	8G2	13	80 - 49
R133728	8G1	7	80 - 48	R134669	5D20	25	53 - 17	R135753	8H20	5	90 - 17
R133729	8F25	7	80 - 46	R134669	5D22	25	53 - 19	R135753	8H20	27	90 - 17
R133729	8G1	7	80 - 48	R134669	5D24	11	53 - 21	R135753	8H20	37	90 - 17
R133794	6G14	47	60 - 77	R134670	9E14	13	91 - 33	R135758	4D21	4	42 - 17
R133794	7I20	25	70 - 139	R134682	7F22	17	70 - 67	R135786	6F18	2	60 - 61
R133867	5G2	2	54 - 39	R134705	7E9	5	70 - 29	R135786	6F20	9	60 - 63
R133868	9F2	7	91 - 47	R134711	2G7	2	30 - 71	R135786	6I6	6B	60 - 117
R133871	5F19	2	54 - 31	R134712	2G7	3	30 - 71	R135810	8F20	10	80 - 41
R133871	5F21	9	54 - 33	R134727	1E23	5	20 - 29	R135811	6E4	16	60 - 23
R133966	1I22	14	20 - 125	R134733	5D16	22	53 - 13	R135811	6E6	29	60 - 25
R133966	1J2	14	20 - 129	R134737	7F6	9	70 - 51	R135811	6E8	29	60 - 27
R134052	2G7	8	30 - 71	R134755	9E3	1	91 - 22	R135811	8F20	10	80 - 41
R134054	4G3	1	51 - 32	R134770	2G7	31	30 - 71	R135816	4H4	1	51 - 57
R134054	4I7	1	51 - 84	R134778	7H23	6	70 - 117	R135816	4H6	2	51 - 59
R134058	1I15	26	20 - 117	R134885	8H14	5	90 - 11	R135816	4H8	1	51 - 61
R134058	1I17	26	20 - 119	R134886	8H14	5	90 - 11	R135816	4H10	1	51 - 63
R134059	9E20	27	91 - 39	R134887	8H14	6	90 - 11	R135816	4H12	1	51 - 65
R134060	9E20	28	91 - 39	R134957	2E17	3	30 - 31B	R135816	4H14	1	51 - 67
R134070	7G16	3	70 - 85	R134957	2F18	3	30 - 55	R135816	4H16	8	51 - 69
R134071	7G16	4	70 - 85	R134957	2F18	4	30 - 55	R135864	5F25	5	54 - 37
R134075	4I10	17	51 - 87	R134986	4I10	19	51 - 87	R135865	5F25	5	54 - 37
R134075	4I12	34	51 - 89	R135000	7F6	8	70 - 51	R135866	5F23	16	54 - 35
R134075	4I12	37	51 - 89	R135001	7E9	1	70 - 29	R135866	8E24	11	80 - 19
R134098	9E10	19	91 - 29	R135088	6E10	11	60 - 29	R135871	3I23	5	41 - 13
R134109	9E2	1	91 - 21	R135096	4I4	37	51 - 81	R135875	5G2	9	54 - 39
R134152	9D22	4	91 - 17	R135218	5F4	13	54 - 17	R135875	5G4	9	54 - 41
R134168	7J6	1	70 - 149	R135218	5F8	1	54 - 19	R135876	5G2	8	54 - 39
R134168	7J8	1	70 - 151	R135247	5F4	27	54 - 17	R135876	5G4	8	54 - 41
R134173	9D20	1	91 - 15	R135247	5F8	6	54 - 19	R135942	9G8	9	92 - 19
R134173	9D22	22	91 - 17	R135349	4I2	16	51 - 79	R135944	8H20	3	90 - 17
R134174	9D20	3	91 - 15	R135349	4I4	28	51 - 81	R135944	8H20	5	90 - 17
R134174	9D20	4	91 - 15	R135349	4I4	40	51 - 81	R135944	8H22	6	90 - 19
R134224	8E12	3	80 - 5	R135359	2D20	3	30 - 12	R135966	5D18	11	53 - 15

NUMERICAL INDEX - CONTINUED

PART NO.	GRID	KEY	PAGE	PART NO.	GRID	KEY	PAGE	PART NO.	GRID	KEY	PAGE
R135967	5D20	12	53 - 17	R150365	6G14	17	60 - 77	R153146	9G8	3	92 - 19
R135967	5D22	12	53 - 19	R150538	6H2	4	60 - 89	R153160	6D23	3	60 - 18
R135967	5D24	12	53 - 21	R150539	6H2	9	60 - 89	R153184	3F25	15	40 - 57
R135976	9E25	1	91 - 45	R150573	4F6	7	51 - 9	R153185	3F23	3	40 - 55
R135977	9E25	1	91 - 45	R150573	4H8	7	51 - 61	R153306	5F25	22	54 - 37
R135987	8G11	3	80 - 58	R150574	4F6	6	51 - 9	R153307	5F25	23	54 - 37
R135987	8G12	2	80 - 59	R150574	4H8	6	51 - 61	R153485	9E10	10	91 - 29
R135987	8G16	3	80 - 63	R150626	5D14	1	53 - 11	R153676	4F14	3	51 - 17
R135989	5F19	5	54 - 31	R150627	5D14	1	53 - 11	R153676	4H16	3	51 - 69
R135990	5F19	5	54 - 31	R150627	5D14	37	53 - 11	R153676	5E2	1	53 - 25
R135991	5F21	12	54 - 33	R150628	5D14	1	53 - 11	R153676	5E2	9	53 - 25
R136083	1D21	3	20 - 8	R150628	5D14	38	53 - 11	R153676	5E4	16	53 - 27
R136083	1F15	3	20 - 44	R150659	9F25	4	92 - 11	R153676	6G14	41	60 - 77
R136083	1H2	3	20 - 80	R150659	9F25	5	92 - 11	R153676	7D11	19	70 - 3
R136111	8F12	35	80 - 33	R150660	9F25	4	92 - 11	R153676	7D13	4	70 - 5
R136131	8H20	5	90 - 17	R150660	9F25	5	92 - 11	R153676	7D25	10	70 - 17
R136157	4G14	5	51 - 43	R150662	6H13	28	60 - 101	R153826	9E16	16	91 - 35
R136157	4I18	5	51 - 95	R150664	6H13	6	60 - 101	R154075	8H14	8	90 - 11
R136185	7H19	1	70 - 113	R150800	8F12	31	80 - 33	R154392	3G18	1	40 - 74
R136238	4D13	8	42 - 9	R150815	6H2	7	60 - 89	R154539	6F22	20	60 - 65
R136238	4D13	10	42 - 9	R150891	4F4	14	51 - 7	R154539	6F22	21	60 - 65
R136238	4D15	1	42 - 11	R150892	3D20	2	40 - 3	R154655	8F24	4	80 - 45
R136238	4D21	9	42 - 17	R150892	3D20	10	40 - 3	R154668	7I18	6	70 - 137
R136239	4D9	5	42 - 5	R150892	4F4	14	51 - 7	R154889	9D18	1	91 - 13
R136239	4D11	2	42 - 7	R150892	4F18	2	51 - 21	R154936	8F24	1	80 - 45
R136239	4D13	8	42 - 9	R150907	5F19	13	54 - 31	R155065	9E20	15	91 - 39
R136239	4D13	10	42 - 9	R150907	5F21	4	54 - 33	R155817	9D13	1	91 - 8
R136239	4D23	2	42 - 19	R150920	9E10	7	91 - 29	R156054	9F9	1	91 - 53
R136260	2D13	12	30 - 5	R150921	9E10	7	91 - 29	R156497	8E20	6	80 - 15
R136260	8F20	10	80 - 41	R151139	9E25	8	91 - 45	R156498	8E20	6	80 - 15
R136320	1F11	3	20 - 41	R151216	6E4	20	60 - 23	R156499	8E20	6	80 - 15
R136320	1G23	3	20 - 77	R151216	6E8	20	60 - 27	R156614	7G16	3	70 - 85
R136348	8G5	7	80 - 52	R151326	8H20	5	90 - 17	R156614	7G16	4	70 - 85
R136350	8H20	5	90 - 17	R151326	8H20	27	90 - 17	R156615	7G4	15	70 - 73
R136350	8H20	27	90 - 17	R151327	9E3	2	91 - 22	R156615	7G8	2A	70 - 77
R136355	5F15	5	54 - 27	R151333	8H14	8	90 - 11	R156615	7G8	2B	70 - 77
R136355	6G1	5	60 - 69	R151387	2E5	4	30 - 23	R156615	7G8	3	70 - 77
R136359	8E14	3	80 - 7	R151387	2E7	1	30 - 25	R156615	7G8	4	70 - 77
R136467	5F4	15	54 - 17	R151387	9D12	33	91 - 7	R156615	7G8	6	70 - 77
R136467	5F8	3	54 - 19	R151439	7H23	41	70 - 117	R156615	7G10	15	70 - 79
R136471	1E9	2	20 - 15	R151448	9E16	5	91 - 35	R156615	7G16	2A	70 - 85
R136471	1F23	2	20 - 52	R151449	9E16	5	91 - 35	R156615	7G16	2B	70 - 85
R136471	1H12	2	20 - 90	R151467	8G3	1	80 - 50	R156615	7G16	3	70 - 85
R136564	7D19	8	70 - 11	R151641	7D19	32	70 - 11	R156615	7G16	4	70 - 85
R136565	7D19	10	70 - 11	R151641	7D21	8	70 - 13	R156627	5F6	5	54 - 17B
R136566	7D19	11	70 - 11	R151642	7D19	34	70 - 11	R156636	5F6	4	54 - 17B
R136566	7D21	2	70 - 13	R151642	7D21	10	70 - 13	R156637	5F6	4	54 - 17B
R136567	7D19	14	70 - 11	R151701	3D22	7	40 - 5	R156638	5F6	4	54 - 17B
R136568	7D19	17	70 - 11	R151701	4H6	14	51 - 59	R156639	5F6	4	54 - 17B
R136569	7D19	18	70 - 11	R151720	8H14	8	90 - 11	R156869	5F23	23	54 - 35
R136570	7D19	19	70 - 11	R151764	9E14	24	91 - 33	R157015	9E8	1	91 - 27
R136571	7D19	20	70 - 11	R151789	9D24	13	91 - 19	R157015	9E12	1	91 - 31
R136572	7D19	24	70 - 11	R151799	8F9	10	80 - 30	R157016	9E8	1	91 - 27
R136573	7D19	26	70 - 11	R151799	9E14	23	91 - 33	R157016	9E10	1	91 - 29
R136573	7D21	4	70 - 13	R151855	9E14	24	91 - 33	R157016	9E12	1	91 - 31
R136574	7D19	28	70 - 11	R151924	3H9	11	40 - 89	R157017	9E10	1	91 - 29
R136575	7D19	39	70 - 11	R152116	8F2	3	80 - 22	R157018	9E10	1	91 - 29
R136576	7D19	2	70 - 11	R152116	8F3	3	80 - 23	R157023	9E8	3	91 - 27
R137592	9F25	4	92 - 11	R152119	9F13	8	91 - 55	R157023	9E10	3	91 - 29
R150005	8F12	36	80 - 33	R152120	9F13	9	91 - 55	R157024	9E8	3	91 - 27
R150222	5F15	3	54 - 27	R152274	6E2	2	60 - 21B	R157024	9E10	3	91 - 29
R150222	6G1	3	60 - 69	R152283	3I2	3	40 - 107	R157031	9E8	4	91 - 27
R150307	8H20	5	90 - 17	R152709	1J2	6	20 - 129	R157032	9E8	4	91 - 27
R150307	8H22	3	90 - 19	R152879	7I20	26	70 - 139	R157210	9F9	1	91 - 53
R150315	5F4	19	54 - 17	R152879	7I22	30	70 - 141	R157334	6F22	7	60 - 65
R150350	5F15	6	54 - 27	R153024	8H20	5	90 - 17	R157605	8F8	1	80 - 29
R150350	6G1	6	60 - 69	R153026	8H22	4	90 - 19	R157605	8F8	10	80 - 29

NUMERICAL INDEX - CONTINUED

PART NO.	GRID	KEY	PAGE	PART NO.	GRID	KEY	PAGE	PART NO.	GRID	KEY	PAGE
R157679	5F25	24	54 - 37	R26246	4I6	14	51 - 83	R27302	5D8	17	53 - 5
R157897	5F25	22	54 - 37	R26246	4I6	26	51 - 83	R27329	5E4	30	53 - 27
R158630	5F15	1	54 - 27	R26286	2E17	3	30 - 31B	R27329	5E6	2	53 - 29
R158630	6G1	1	60 - 69	R26286	2E17	4	30 - 31B	R27441	9G6	13	92 - 17
R158631	5F15	2	54 - 27	R26286	2E17	12	30 - 31B	R27443	1D21	9	20 - 8
R158631	6G1	2	60 - 69	R26286	2F18	3	30 - 55	R27443	1F15	9	20 - 44
R158652	6D23	7	60 - 18	R26286	2F18	4	30 - 55	R27443	1H2	9	20 - 80
R158652	6D24	7	60 - 19	R26286	2F18	9	30 - 55	R27564	7H21	15	70 - 115
R159204	5F21	13	54 - 33	R26286	2F18	12	30 - 55	R27928	3D22	1	40 - 5
R159216	6E20	37	60 - 39	R26286	7D17	6	70 - 9	R27928	3D22	7	40 - 5
R159353	9D16	5	91 - 11	R26287	6E20	26	60 - 39	R27928	4F4	14	51 - 7
R159607	9D16	5	91 - 11	R26287	6E22	7	60 - 41	R27928	4F4	24	51 - 7
R159609	9D16	5	91 - 11	R26333	1E11	4	20 - 17	R27928	4F18	2	51 - 21
R159897	3E8	25	40 - 13	R26333	1F25	4	20 - 54	R27928	4F18	28	51 - 21
R160281	7E13	5	70 - 33	R26333	1H14	4	20 - 92	R27928	4H6	12	51 - 59
R161069	8F17	3	80 - 38	R26333	5E16	18	54 - 3	R27928	4H6	14	51 - 59
R1612R	1D24	7	20 - 11	R26375	7H14	18	70 - 107	R27928	4H20	2	51 - 73
R1612R	1F18	10	20 - 47	R26375	7J2	20	70 - 145	R27928	4H20	28	51 - 73
R1612R	1H5	10	20 - 83	R26375	7J2	27	70 - 145	R27928	5D10	10	53 - 7
R1612R	4I4	44	51 - 81	R26375	7J9	4	70 - 152	R27976	3D24	18	40 - 7
R1612R	4I6	7	51 - 83	R26375	8D19	2	71 - 17	R27976	3E6	17	40 - 11
R161279	4E2	26	42 - 23	R26448	2F2	3	30 - 41	R27976	7E7	2	70 - 25
R161280	4E2	26	42 - 23	R26448	2F14	3	30 - 51	R28024	9E14	17	91 - 33
R161282	8D17	15	71 - 15	R26448	2F24	3	30 - 61	R28473	9F13	1	91 - 55
R161356	9E23	5	91 - 43	R26448	5D14	9	53 - 11	R28473	9F13	10	91 - 55
R162459	4E2	19	42 - 23	R26448	5D14	34	53 - 11	R28556	7F24	38	70 - 69
R163157	1I22	6	20 - 125	R26448	5D14	36	53 - 11	R28574	8E18	2	80 - 11
R163157	1J2	6	20 - 129	R26448	5E22	15	54 - 10	R28583	2E9	5	30 - 27
R163158	1I22	3	20 - 125	R26448	5E24	14	54 - 13	R28583	2E10	4	30 - 28
R163158	1J2	3	20 - 129	R26448	5F15	9	54 - 27	R28640	4G10	14	51 - 39
R163173	6F22	11C	60 - 65	R26448	6E20	27	60 - 39	R28640	4I14	14	51 - 91
R163305	5D18	2	53 - 15	R26448	6E22	8	60 - 41	R28671	4G10	20	51 - 39
R163305	5D20	3	53 - 17	R26448	6F6	31	60 - 51	R28671	4I14	20	51 - 91
R163305	5D22	3	53 - 19	R26448	6F8	5	60 - 51B	R28776	6E20	32	60 - 39
R163774	4E2	9	42 - 23	R26448	6G8	1	60 - 71	R28776	6E22	13	60 - 41
R163775	4E2	12	42 - 23	R26448	6G10	1	60 - 73	R28776	6F1	3	60 - 45
R163837	8G5	1	80 - 52	R26448	6G12	1	60 - 75	R28776	6G5	13	60 - 69D
R164437	4E2	4	42 - 23	R26448	7E1	3	70 - 19	R28776	6G16	5	60 - 79
R165034	6F22	24	60 - 65	R26448	8D19	9	71 - 17	R28776	6G16	10	60 - 79
R21612	5E22	1	54 - 10	R26485	7F6	3	70 - 51	R28776	7H23	29	70 - 117
R21612	5E24	15	54 - 13	R26552	6E20	2	60 - 39	R28776	7H25	10	70 - 119
R21612	5F15	12	54 - 27	R26552	6E24	3	60 - 43	R28776	7I10	36	70 - 129
R21722	7J2	21	70 - 145	R26552	6F1	2	60 - 45	R28776	7I12	7	70 - 131
R21722	7J9	1	70 - 152	R26552	6F25	2	60 - 68	R28776	8D15	15	71 - 13
R21722	7J9	2	70 - 152	R26552	6G3	5	60 - 69B	R28776	7D19	23	70 - 11
R26058	1E16	4	20 - 22	R26552	6G6	2	60 - 69F	R28782	7D21	3	70 - 13
R26058	1F8	35	20 - 39	R26559	1D21	4	20 - 8	R28811	1E13	3	20 - 19
R26058	1G7	4	20 - 59	R26559	1F15	4	20 - 44	R28811	1G4	3	20 - 56
R26058	1G21	33	20 - 75	R26559	1H2	4	20 - 80	R28811	1H16	3	20 - 94
R26058	1H19	4	20 - 97	R26572	5D14	15	53 - 11	R29936	7H23	13	70 - 117
R26058	1I9	33	20 - 111	R26643	7F18	10	70 - 63	R29936	7H25	14	70 - 119
R26079	1D21	8	20 - 8	R26748	1D21	12	20 - 8	R30319	5E10	4	53 - 33
R26079	1F15	8	20 - 44	R26748	1F15	12	20 - 44	R30398	8E14	14	80 - 7
R26079	1H2	8	20 - 80	R26748	1H2	12	20 - 80	R30815	7J9	5	70 - 152
R26081	1D21	2	20 - 8	R26871	7E11	9	70 - 31	R30816	7J9	7	70 - 152
R26081	1F15	2	20 - 44	R26941	3F13	3	40 - 44	R30817	7J9	6	70 - 152
R26081	1H2	2	20 - 80	R27094	2E15	..	30 - 31	R30903	6E20	24	60 - 39
R26115	4F18	10	51 - 21	R27136	5D14	14	53 - 11	R30903	6E22	5	60 - 41
R26115	4H20	10	51 - 73	R27149	1D24	12	20 - 11	R30903	6E22	6	60 - 41
R26149	4F8	7	51 - 11	R27149	1F18	16	20 - 47	R31251	8E14	10	80 - 7
R26246	4F23	13	51 - 27	R27149	1H5	16	20 - 83	R31890	9G2	16	92 - 13
R26246	4F25	25	51 - 29	R27175	1E9	9	20 - 15	R31935	8F12	4	80 - 33
R26246	4F25	37	51 - 29	R27175	1F23	9	20 - 52	R32176	2G9	7	30 - 73
R26246	4G2	14	51 - 31	R27175	1H12	9	20 - 90	R32214	5E21	8	54 - 9
R26246	4G2	26	51 - 31	R27175	5D10	4	53 - 7	R32507	8D15	17	71 - 13
R26246	4I2	13	51 - 79	R27218	5E24	13	54 - 13	R32588	4F8	8	51 - 11
R26246	4I4	25	51 - 81	R27302	5D6	17	53 - 3	R33259	4F4	9	51 - 7

1L16

8100, 8200, 8300, 8400 TRACTORS

NUMERICAL INDEX - CONTINUED

PART NO.	GRID	KEY	PAGE	PART NO.	GRID	KEY	PAGE	PART NO.	GRID	KEY	PAGE
R33259	4F10	12	51 - 13	R41440	3H24	7	40 - 105	R44394	4F4	25	51 - 7
R33259	4F12	6	51 - 15	R41778	9G13	2	92 - 24	R44394	4F10	9	51 - 13
R33259	4H6	9	51 - 59	R41934	1E12	1	20 - 18	R44394	4H6	24	51 - 59
R33259	4H12	17	51 - 65	R41934	1G1	1	20 - 55	R44394	4H12	14	51 - 65
R33259	4H14	6	51 - 67	R41934	1G2	6	20 - 55A	R46414	6I4	7	60 - 115
R33259	7H23	40	70 - 117	R41934	1G3	6	20 - 55B	R46479	1F8	17	20 - 39
R33259	7H25	18	70 - 119	R41934	1H15	1	20 - 93	R47074	1E16	1	20 - 22
R33259	7I10	27	70 - 129	R41985	1I11	27	20 - 113	R47074	1G7	1	20 - 59
R33259	7I10	32	70 - 129	R41985	8H14	11	90 - 11	R47074	1H19	1	20 - 97
R33259	7I10	40	70 - 129	R42057	5D10	3	53 - 7	R47150	7I14	4	70 - 133
R33259	7I12	10	70 - 131	R42340	1D24	6	20 - 11	R47153	1G14	9	20 - 66
R33259	8H10	3	90 - 7	R42340	1F18	9	20 - 47	R47153	1G16	7	20 - 69
R33259	8H12	13	90 - 9	R42340	1H5	9	20 - 83	R47153	1G21	27	20 - 75
R33259	8H20	21	90 - 17	R42365	1D24	17	20 - 11	R47153	1I2	7	20 - 105
R33877	7E8	7	70 - 28	R42849	5D14	12	53 - 11	R47153	1I4	9	20 - 107
R34222	5E22	3	54 - 10	R43244	4D15	3	42 - 11	R47153	1I9	27	20 - 111
R35352	6H23	1	60 - 109	R43244	8F14	4	80 - 35	R47160	2E9	4	30 - 27
R35352	6H25	1	60 - 111	R43409	1F18	1	20 - 47	R47160	2E10	2	30 - 28
R35717	6H23	8	60 - 109	R43409	1H5	1	20 - 83	R47172	3H22	8	40 - 103
R35717	6H23	22	60 - 109	R43444	7F24	23	70 - 69	R47578	7F24	22	70 - 69
R35717	6H25	8	60 - 111	R43621	1D24	9	20 - 11	R47693	1E25	6	20 - 31
R35717	6H25	22	60 - 111	R43621	1F18	13	20 - 47	R47693	1F1	4	20 - 32
R35794	4H8	25	51 - 61	R43621	1H5	13	20 - 83	R47862	6G16	12	60 - 79
R35794	6F8	9	60 - 51B	R43660	1E23	12	20 - 29	R47998	6D7	9	60 - 3
R36402	7G18	2	70 - 89	R43660	1G16	9A	20 - 69	R48163	7F24	14	70 - 69
R36441	7F24	36	70 - 69	R43660	1I2	9A	20 - 105	R48164	7F24	15	70 - 69
R36599	1D24	2	20 - 11	R44097	3G18	5	40 - 74	R48450	9E18	11	91 - 37
R36599	1F18	5	20 - 47	R44097	3G19	4	40 - 75	R48450	9E20	11	91 - 39
R36599	1H5	5	20 - 83	R44097	3G21	2	40 - 77	R48685	4F2	7	51 - 5
R36658	7J9	3	70 - 152	R44165	3F17	8	40 - 49	R48685	4G14	6	51 - 43
R36659	7J9	3	70 - 152	R44165	3F19	8	40 - 51	R48685	4H4	7	51 - 57
R37023	7D25	11	70 - 17	R44302	2E9	7	30 - 27	R48685	4I18	6	51 - 95
R37287	5E17	2	54 - 4	R44302	3D20	13	40 - 3	R48685	5E17	5	54 - 4
R37287	5F21	1	54 - 33	R44302	3D24	12	40 - 7	R48685	5F19	6	54 - 31
R375	3D24	7	40 - 7	R44302	3E6	11	40 - 11	R48693	1F9	7	20 - 39A
R375	3E6	7	40 - 11	R44302	3E24	14	40 - 29	R48693	2E25	7	30 - 39
R375	4G18	2	51 - 47	R44302	3F5	4	40 - 35	R48693	2F12	7	30 - 49B
R375R	2F16	2	30 - 53	R44302	3G2	12	40 - 59	R48693	2F22	7	30 - 59
R375R	2F25	2	30 - 62	R44302	3H13	8	40 - 93	R49002	4F18	..	51 - 21
R375R	5D14	21	53 - 11	R44302	3I6	2	40 - 111	R49377	1G21	30	20 - 75
R38221	5E4	14	53 - 27	R44302	3I14	9	41 - 4	R49377	1I9	30	20 - 111
R39208	5D14	13	53 - 11	R44302	3I15	11	41 - 4A	R495R	7D13	3	70 - 5
R39503	2D19	11	30 - 11	R44302	3I16	7	41 - 5	R49866	1D19	3	20 - 6
R39554	2E9	2	30 - 27	R44302	3I19	4	41 - 8	R49866	1F8	16	20 - 39
R39554	3E10	43	40 - 15	R44302	4D25	16	42 - 21	R49866	1F12	3	20 - 42
R39554	3E12	44	40 - 17	R44302	6E4	23	60 - 23	R49866	1G21	6	20 - 75
R39554	3E14	51	40 - 19	R44302	6F8	21	60 - 51B	R49866	1G24	3	20 - 78
R39554	3E16	52	40 - 21	R44302	6F22	..	60 - 65	R49866	1I9	6	20 - 111
R39554	3E18	44	40 - 23	R44302	6H4	11	60 - 91	R500330	1E23	7	20 - 29
R39554	3F21	3	40 - 53	R44302	6H6	3	60 - 93	R500330	1G16	14	20 - 69
R39741	1D24	3	20 - 11	R44302	6H8	3	60 - 95	R500330	1I2	14	20 - 105
R39741	1F18	6	20 - 47	R44302	6H13	7	60 - 101	R50034	6F3	9	60 - 47
R39741	1H5	6	20 - 83	R44302	6H23	3	60 - 109	R500642	1D24	10	20 - 11
R39741	1J3	1	20 - 130	R44302	6H25	3	60 - 111	R500642	1E21	1	20 - 27
R40236	1G13	4	20 - 65	R44302	6I4	6	60 - 115	R500642	1F18	15	20 - 47
R40236	1I3	4	20 - 106	R44302	7D23	28A	70 - 15	R500642	1G11	1	20 - 63
R40685	9D12	17	91 - 7	R44302	7D23	43	70 - 15	R500642	1H5	15	20 - 83
R40687	3F25	17	40 - 57	R44302	7D25	43	70 - 17	R500642	1H24	1	20 - 103
R40687	3F25	22	40 - 57	R44302	7H14	16	70 - 107	R50390	1G8	11	20 - 60
R40915	7E11	2	70 - 31	R44302	7H21	20	70 - 115	R50390	1G21	21	20 - 75
R41049	1E13	1	20 - 19	R44302	7I18	..	70 - 137	R50390	1H20	11	20 - 98
R41071	8H14	26	90 - 11	R44302	7J4	14	70 - 147	R50390	1I9	21	20 - 111
R41076	6F16	20	60 - 59	R44302	8G20	5	80 - 67	R50393	1G8	8	20 - 60
R41076	6F20	20	60 - 63	R44302	8G22	5	80 - 69	R50393	1H20	8	20 - 98
R41076	7E11	8	70 - 31	R44302	8H10	27	90 - 7	R50405	1F8	3	20 - 39
R41285	1F3	7	20 - 35	R44302	9E20	..	91 - 39	R50405	1G21	18	20 - 75
R41387	9G4	17	92 - 15	R44342	3F21	9	40 - 53	R50405	1I9	18	20 - 111

NUMERICAL INDEX - CONTINUED

PART NO.	GRID	KEY	PAGE	PART NO.	GRID	KEY	PAGE	PART NO.	GRID	KEY	PAGE
R50424	1G14	12	20-66	R53899	1G21	25	20-75	R57159	1D24	19	20-11
R50424	1G21	35	20-75	R53899	1I9	25	20-111	R57528	7F11	2	70-56
R50424	1I4	12	20-107	R53899	2E25	26	30-39	R57583	1E14	7	20-20
R50424	1I9	35	20-111	R53899	2F1	7	30-40	R57584	1E15	3	20-21
R50879	6F3	8	60-47	R53899	2F12	27	30-49B	R57696	1E21	5	20-27
R50901	3I18	4	41-7	R53899	2F13	7	30-50	R57696	1G11	5	20-63
R50902	3I18	2	41-7	R53899	2F22	27	30-59	R57696	1H24	5	20-103
R51053	1G14	10	20-66	R53899	2F23	7	30-60	R57771	1E6	1	20-13D
R51053	1I4	10	20-107	R53901	1F8	27	20-39	R57771	1E14	2	20-20
R51133	1E23	4	20-29	R53901	1G21	25	20-75	R57771	1G6	2	20-58
R51133	2D19	8	30-11	R53901	1I9	25	20-111	R57771	1H17	2	20-95
R51156	7J6	1	70-149	R53901	2F1	9	30-40	R58186	2E23	6	30-37
R51156	7J8	1	70-151	R53901	2F13	9	30-50	R58186	2E23	10	30-37
R51936	1F9	2	20-39A	R53901	2F23	9	30-60	R58186	2F8	4	30-47
R51936	2E23	25	30-37	R54025	2F2	2	30-41	R58186	2F20	6	30-57
R51936	2E25	2	30-39	R54025	2F14	2	30-51	R58186	2F20	10	30-57
R51936	2F8	23	30-47	R54025	2F24	2	30-61	R58255	5D12	11	53-9
R51936	2F12	2	30-49B	R54064	7G22	4	70-93	R58256	5D12	11	53-9
R51936	2F12	30	30-49B	R54123	1E25	4	20-31	R58257	5D12	11	53-9
R51936	2F20	25	30-57	R54123	1F1	7	20-32	R58258	5D12	11	53-9
R51936	2F22	2	30-59	R54380	5D14	2	53-11	R58617	7F24	25	70-69
R51936	2F22	30	30-59	R54380	5D14	5	53-11	R58865	8E22	17	80-17
R51937	2E23	20	30-37	R54380	5D18	7	53-15	R59009	9G2	17	92-13
R51937	2F8	18	30-47	R54380	5D20	8	53-17	R59011	9G2	10	92-13
R51937	2F20	20	30-57	R54380	5D22	8	53-19	R59012	9G2	13	92-13
R52006	7G4	16	70-73	R54380	8F8	2	80-29	R59013	9G6	15	92-17
R52006	7G10	16	70-79	R54500	2D19	15	30-11	R59018	9G2	11	92-13
R52006	7G16	6	70-85	R54500	2D23	5	30-15	R59019	9G2	1	92-13
R52006	8E22	2	80-17	R54500	2E2	5	30-19	R59020	9G6	9	92-17
R52006	8E22	6	80-17	R54510	1E25	2	20-31	R59021	9G6	7	92-17
R52006	8E24	2	80-19	R54510	1F1	2	20-32	R59022	9G6	14	92-17
R52006	8E24	9	80-19	R54511	1E25	3	20-31	R59023	9G6	18	92-17
R52006	8F1	2	80-21	R54511	1F1	3	20-32	R59028	9G6	4	92-17
R52107	7H18	5	70-111	R54565	1D21	1	20-8	R59029	9G6	4	92-17
R52130	3G22	4	40-78	R54565	1F15	1	20-44	R59030	9G4	14	92-15
R52130	3G23	3	40-79	R54565	1H2	1	20-80	R59070	9G6	3	92-17
R52130	8H20	17	90-17	R54701	9E4	5	91-23	R59297	2E23	8	30-37
R52130	9E20	4	91-39	R54856	1E18	2	20-24	R59297	2E23	11	30-37
R52188	8E14	11	80-7	R54856	1G21	24	20-75	R59297	2F8	8	30-47
R52389	5D18	16	53-15	R54856	1H21	3	20-99	R59297	2F8	9	30-47
R52634	1E13	1	20-19	R54856	1I9	24	20-111	R59297	2F8	10	30-47
R52665	4F10	3	51-13	R54856	3E2	23	40-9	R59297	2F20	8	30-57
R52665	4H12	6	51-65	R54856	3E4	23	40-9B	R59297	2F20	11	30-57
R52690	9G4	17	92-15	R54856	3E8	23	40-13	R59298	2E23	8	30-37
R52691	9G4	17	92-15	R55081	5D16	23	53-13	R59298	2E23	9	30-37
R52725	3H1	2	40-82	R55151	8E24	14	80-19	R59298	2E23	11	30-37
R52876	7H21	14	70-115	R55326	8H18	1	90-15	R59298	2F20	8	30-57
R52931	3G22	6	40-78	R55326	9E11	5	91-30	R59298	2F20	9	30-57
R53108	1F8	36	20-39	R55327	9F12	8	91-54	R59298	2F20	11	30-57
R53108	1G21	34	20-75	R55396	1F9	14	20-39A	R59305	2E23	6	30-37
R53108	1I9	34	20-111	R55396	2E25	14	30-39	R59305	2E23	10	30-37
R53226	6F3	3	60-47	R55396	3I14	2	41-4	R59305	2F20	6	30-57
R53292	1E14	5	20-20	R55427	8F10	3	80-31	R59305	2F20	10	30-57
R53292	1G6	5	20-58	R55427	8F12	29	80-33	R59384	5D16	10	53-13
R53292	1H17	5	20-95	R56101	2G9	16	30-73	R59439	5D18	17	53-15
R53524	7H14	13	70-107	R56101	6F22	25	60-65	R59439	5D20	18	53-17
R53658	7E9	3	70-29	R56101	7I18	2	70-137	R59439	5D22	18	53-19
R53665	9G2	3	92-13	R56101	7I22	14	70-141	R59440	5D18	17	53-15
R53665	9G2	7	92-13	R56397	4E24	2	51-3	R59440	5D20	18	53-17
R53668	9G2	18	92-13	R56397	4H2	2	51-55	R59440	5D22	18	53-19
R53668	9G4	15	92-15	R56397	6F3	10	60-47	R59478	7F24	6	70-69
R53668	9G6	16	92-17	R56465	8D13	29	71-11	R59575	9D10	8	91-5
R53884	2F1	3	30-40	R56465	8D15	20	71-13	R59761	8F17	3	80-38
R53884	2F13	3	30-50	R56504	7E11	3	70-31	R59843	5D18	28	53-15
R53884	2F23	3	30-60	R56751	7D19	7	70-11	R59897	9G4	9	92-15
R53899	1F8	27	20-39	R56751	7D21	1	70-13	R60170	8H12	19	90-9
R53899	1F9	26	20-39A	R57158	1D24	19	20-11	R60273	2F16	7	30-53

NUMERICAL INDEX - CONTINUED

PART NO.	GRID	KEY	PAGE	PART NO.	GRID	KEY	PAGE	PART NO.	GRID	KEY	PAGE
R60274	2F16	8	30-53	R62930	1G11	1	20-63	R65785	6F22	23	60-65
R60275	2F16	9	30-53	R62930	1H5	15	20-83	R65785	7I22	15	70-141
R60277	2F16	1	30-53	R62930	1H24	1	20-103	R65815	7F24	9	70-69
R60277	2F25	1	30-62	R62938	1E21	2	20-27	R65816	7F24	9	70-69
R60278	2F16	4	30-53	R62938	1G11	2	20-63	R66307	8E16	7	80-9
R60278	2F25	4	30-62	R62938	1H24	2	20-103	R66452	1E6	1	20-13D
R60279	2F16	3	30-53	R62986	1E15	1	20-21	R66452	1E14	4	20-20
R60279	2F25	3	30-62	R62987	1E15	2	20-21	R66452	1F22	1	20-51
R60458	9G2	15	92-13	R62988	1E15	2	20-21	R66452	1G6	4	20-58
R60458	9G6	6	92-17	R63002	1E15	2	20-21	R66452	1H11	1	20-89
R60472	1E15	3	20-21	R63003	1E15	2	20-21	R66452	1H17	4	20-95
R60473	1E15	3	20-21	R63004	1E15	2	20-21	R66477	4G18	4	51-47
R60474	1E15	3	20-21	R63005	1E15	2	20-21	R66477	5D14	18	53-11
R60475	1E15	3	20-21	R63006	1E15	2	20-21	R66492	1E6	1	20-13D
R60485	1E14	7	20-20	R63007	1E15	2	20-21	R66901	7F24	13	70-69
R60486	1E14	7	20-20	R63008	1E15	2	20-21	R66901	7F24	21	70-69
R60487	1E14	7	20-20	R63009	1E15	2	20-21	R67092	2D19	6	30-11
R60488	1E14	7	20-20	R63010	1E15	1	20-21	R67092	2D23	1	30-15
R60730	6D12	3	60-8	R63016	2F1	10	30-40	R67092	2E2	1	30-19
R60755	6E20	17	60-39	R63016	2F13	10	30-50	R67092	2E17	5	30-31B
R60755	6E25	2	60-44	R63016	2F23	10	30-60	R67092	2E19	5	30-33
R60755	6F24	16	60-67	R63237	5D20	17	53-17	R67092	2E21	5	30-35
R60755	6G3	16	60-69B	R63237	5D22	17	53-19	R67092	2F6	1	30-45
R61144	2E23	6	30-37	R63326	1E12	2	20-18	R67092	2F18	5	30-55
R61144	2E23	10	30-37	R63326	1G1	2	20-55	R67092	2G3	5	30-67
R61144	2F20	6	30-57	R63326	1H15	2	20-93	R67092	2G5	1	30-69
R61144	2F20	10	30-57	R63548	7I14	5	70-133	R67092	2G7	12	30-71
R61145	2E23	9	30-37	R63575	5D20	14	53-17	R67092	2G7	14	30-71
R61145	2F20	9	30-57	R63575	5D22	14	53-19	R67264	1F9	20	20-39A
R61288	1D24	23	20-11	R63575	5D24	7	53-21	R67264	2E25	20	30-39
R61288	1F18	24	20-47	R63604	2F12	32	30-49B	R67264	2F12	20	30-49B
R61288	1H5	24	20-83	R63604	2F22	32	30-59	R67264	2F12	34	30-49B
R61289	1E15	3	20-21	R63647	2G1	2	30-65	R67264	2F22	20	30-59
R61461	5D18	17	53-15	R63647	7E1	7	70-19	R67264	2F22	34	30-59
R61461	5D20	18	53-17	R63667	6H15	22	60-103	R67364	1F9	9	20-39A
R61461	5D22	18	53-19	R63667	6H17	4	60-105	R67364	2E25	9	30-39
R61497	1D20	1	20-7	R63737	7F8	10	70-53	R67364	2F1	11	30-40
R61497	1F14	1	20-43	R63845	1F9	12	20-39A	R67364	2F12	9	30-49B
R61497	1H1	1	20-79	R63845	2E25	12	30-39	R67364	2F13	11	30-50
R61608	1E15	3	20-21	R64084	7F18	7	70-63	R67364	2F22	9	30-59
R61609	1E15	3	20-21	R64084	7F20	15	70-65	R67364	2F23	11	30-60
R61610	1E15	3	20-21	R64084	7F22	15	70-67	R67477	7F18	9	70-63
R61611	1E15	3	20-21	R64085	7F18	5	70-63	R67619	7F20	9	70-65
R61775	3F12	7	40-43	R64085	7F20	14	70-65	R67619	7F22	9	70-67
R61862	9G6	10	92-17	R64085	7F22	14	70-67	R67784	5D16	22	53-13
R61871	7H23	27	70-117	R64234	7D11	17	70-3	R67879	2F1	6	30-40
R61871	7H25	11	70-119	R64235	7D11	17	70-3	R67879	2F2	5	30-41
R61871	7I10	34	70-129	R64236	7D11	17	70-3	R67879	2F13	6	30-50
R61871	7I12	8	70-131	R64237	7D11	17	70-3	R67879	2F14	5	30-51
R62070	3D20	2	40-3	R64700	3E2	25	40-9	R67879	2F23	6	30-60
R62070	3D20	10	40-3	R64700	3E4	25	40-9B	R67879	2F24	5	30-61
R62070	3D22	1	40-5	R64700	3E8	25	40-13	R68035	2F4	1	30-43
R62070	3D22	7	40-5	R64700	3H1	1	40-82	R68036	2F4	4	30-43
R62070	4F4	14	51-7	R64822	3F17	34	40-49	R68037	2F4	4	30-43
R62070	4F4	23	51-7	R64822	3F19	35	40-51	R68038	2F4	4	30-43
R62070	4F18	2	51-21	R64822	8H18	12	90-15	R68039	2F4	4	30-43
R62070	4F18	27	51-21	R64822	9D16	9	91-11	R68040	2F4	4	30-43
R62070	4H6	14	51-59	R64822	9D18	4	91-13	R68041	2F4	4	30-43
R62070	4H6	23	51-59	R65082	7F24	29	70-69	R68042	2F4	4	30-43
R62070	4H20	2	51-73	R65239	7F8	9	70-53	R68043	2F4	4	30-43
R62070	4H20	27	51-73	R65240	7F8	17	70-53	R68044	2F4	4	30-43
R62070	5D10	10	53-7	R65242	7F24	35	70-69	R68045	2F4	4	30-43
R62129	5G2	12	54-39	R65243	7F24	33	70-69	R68046	2F4	4	30-43
R62129	5G4	12	54-41	R65553	1D21	3	20-8	R68047	2F4	4	30-43
R62930	1D24	10	20-11	R65553	1F15	3	20-44	R68048	2F4	4	30-43
R62930	1E21	1	20-27	R65553	1H2	3	20-80	R68049	2F4	4	30-43
R62930	1F18	15	20-47	R65595	4E13	9	43-8	R68050	2F4	4	30-43

NUMERICAL INDEX - CONTINUED

PART NO.	GRID	KEY	PAGE	PART NO.	GRID	KEY	PAGE	PART NO.	GRID	KEY	PAGE
R68051	2F4	4	30-43	R72655	8F12	10	80-33	R77175	5D10	9	53-7
R68052	2F4	4	30-43	R72659	1F13	..	20-42A	R77175	6D19	1	60-15
R68166	5D16	24	53-13	R72659	1G25	..	20-78A	R77175	6G8	16	60-71
R68167	5D16	21	53-13	R72853	1E17	12	20-23	R77175	6G10	16	60-73
R68682	5E8	..	53-31	R72853	1E25	9	20-31	R77175	6G12	16	60-75
R68682	8G16	4	80-63	R72853	3E2	24	40-9	R77175	6G14	36	60-77
R69089	2F4	2	30-43	R72853	3E4	24	40-9B	R77175	7D23	40	70-15
R69166	7F8	14	70-53	R72853	3E8	24	40-13	R77175	7D25	40	70-17
R69166	7J6	2	70-149	R72853	4F6	16	51-9	R77175	7E1	5	70-19
R69166	7J8	2	70-151	R72853	4H8	16	51-61	R77175	7E7	8	70-25
R69185	4G18	3	51-47	R73040	5E2	2	53-25	R77175	7H19	5	70-113
R69185	5D14	19	53-11	R73094	9F25	18	92-11	R77175	7I10	13	70-129
R69408	7G18	3	70-89	R73291	4G20	5	51-49	R77465	3G12	5	40-69
R69409	7G18	3	70-89	R73291	6E16	7	60-35	R77480	3F21	4	40-53
R69549	5D20	23	53-17	R73380	6D11	15	60-7	R77551	1F8	15	20-39
R69549	5D22	23	53-19	R73498	2E9	10	30-27	R77551	1G21	5	20-75
R69571	7F24	5	70-69	R73599	7I8	6	70-127	R77551	1I9	5	20-111
R70268	1D24	18	20-11	R73635	8E8	4	80-1	R77551	2E23	18	30-37
R70350	3E22	5	40-27	R73858	1F9	18	20-39A	R77551	2E23	19	30-37
R70534	5D10	4	53-7	R73858	2E25	18	30-39	R77551	2F8	16	30-47
R70826	1D21	6	20-8	R73858	2F12	18	30-49B	R77551	2F8	17	30-47
R70826	1F15	6	20-44	R73858	2F22	18	30-59	R77551	2F20	18	30-57
R70826	1H2	6	20-80	R73858	2F22	26	30-59	R77551	2F20	19	30-57
R71074	1E14	6	20-20	R74008	1E6	1	20-13D	R77673	1F5	15	20-37
R71080	9E18	15	91-37	R74008	1E14	3	20-20	R77673	1F6	14	20-37A
R71208	1D21	7	20-8	R74008	1G6	3	20-58	R77673	1G19	15	20-73
R71208	1F15	7	20-44	R74008	1H17	3	20-95	R77673	1I7	15	20-109
R71208	1H2	7	20-80	R74030	2E23	10	30-37	R77673	2D11	8	30-3
R71212	2E23	9	30-37	R74030	2F8	9	30-47	R77673	2D16	3	30-8
R71212	2F8	8	30-47	R74030	2F20	10	30-57	R77673	2D21	3	30-13
R71212	2F8	9	30-47	R74210	8E22	19	80-17	R77673	2D25	3	30-17
R71212	2F20	9	30-57	R74242	7J11	1	70-154	R77673	3E2	12	40-9
R71387	7J9	2	70-152	R74243	7J11	2	70-154	R77673	3E2	21	40-9
R71398	2E23	9	30-37	R74244	7J11	3	70-154	R77673	3E2	22	40-9
R71398	2E23	10	30-37	R74246	7J11	4	70-154	R77673	3E4	21	40-9B
R71398	2F20	9	30-57	R74804	2E23	10	30-37	R77673	3E4	22	40-9B
R71398	2F20	10	30-57	R74804	2F8	9	30-47	R77673	3E8	12	40-13
R71732	1G11	11	20-63	R74804	2F20	10	30-57	R77673	3E8	21	40-13
R71732	1G11	13	20-63	R75176	4F23	14	51-27	R77673	3E8	22	40-13
R71732	1G13	7	20-65	R75176	4F25	26	51-29	R77715	8G11	1	80-58
R71732	1H24	11	20-103	R75176	4F25	38	51-29	R77857	6E8	16	60-27
R71732	1H24	13	20-103	R75176	4G2	13	51-31	R77869	8F1	2	80-21
R71732	1I3	7	20-106	R75176	4G2	25	51-31	R78027	5E24	26	54-13
R71975	5D20	29	53-17	R76358	2F12	12	30-49B	R78027	5G6	4	54-43
R71975	5D22	29	53-19	R76358	2F22	12	30-59	R78027	5G6	..	54-43
R72090	5F2	9	54-15	R76459	7J11	5	70-154	R78027	8E16	2	80-9
R72090	5F4	11	54-17	R76477	3E10	15	40-15	R78047	4E8	3	43-3
R72090	5F6	3	54-17B	R76477	3E12	15	40-17	R78048	3H15	11	40-95
R72090	5F21	7	54-33	R76477	3E14	19	40-19	R78048	3H15	14	40-95
R72328	1F3	3	20-35	R76477	3E16	19	40-21	R78048	4E8	10	43-3
R72328	1F5	17	20-37	R76477	3E18	15	40-23	R78049	4E8	15	43-3
R72328	1F6	16	20-37A	R76477	6F10	..	60-53	R78050	4E8	19	43-3
R72328	1F8	12	20-39	R76477	6F12	..	60-55	R78051	4E8	24	43-3
R72328	1F13	4	20-42A	R76477	6G12	18	60-75	R78052	4E8	5	43-3
R72328	1G19	17	20-73	R76477	7F2	24	70-47	R78053	3H15	10	40-95
R72328	1G21	9	20-75	R76477	7F4	24	70-49	R78053	4D25	15	42-21
R72328	1G25	4	20-78A	R76477	7H14	14	70-107	R78053	4E2	30	42-23
R72328	1I7	17	20-109	R76477	7J4	28	70-147	R78053	4E8	13	43-3
R72328	1I9	9	20-111	R76477	7J11	6	70-154	R78054	4E8	17	43-3
R72653	4F10	17	51-13	R76491	1D18	15	20-5	R78055	4E8	22	43-3
R72653	4H12	4	51-65	R76491	1F11	15	20-41	R78056	3E24	2	40-29
R72653	6F3	11	60-47	R76491	1G23	15	20-77	R78056	4E8	26	43-3
R72654	3F25	9	40-57	R76695	3H22	9	40-103	R78057	3E14	32	40-19
R72654	7F24	12	70-69	R76822	1F9	22	20-39A	R78057	3E16	32	40-21
R72654	7F24	20	70-69	R76822	2E25	22	30-39	R78057	3E24	3	40-29
R72655	6I6	5	60-117	R77175	4F8	18	51-11	R78057	3H5	15	40-85
R72655	8F12	4	80-33	R77175	4H10	18	51-63	R78057	3H7	15	40-87

NUMERICAL INDEX - CONTINUED

PART NO.	GRID	KEY	PAGE	PART NO.	GRID	KEY	PAGE	PART NO.	GRID	KEY	PAGE
R78057	3H9	3	40-89	R80436	7F8	12	70-53	R82445	9F11	46	91-53B
R78057	4E8	2	43-3	R80436	7F11	4	70-56	R82549	8F17	6	80-38
R78058	3E24	2	40-29	R80436	7F14	14	70-59	R82719	2E17	3	30-31B
R78058	3E24	6	40-29	R80436	7F18	4	70-63	R82719	2E17	12	30-31B
R78058	3H9	4	40-89	R80436	7F20	13	70-65	R82719	2F18	3	30-55
R78058	3H13	9	40-93	R80436	7F22	13	70-67	R82719	2F18	9	30-55
R78058	4E2	30	42-23	R80623	7I18	6	70-137	R82719	2F18	12	30-55
R78058	4E8	23	43-3	R81053	7H21	5	70-115	R82908	5E21	12	54-9
R78059	3E14	32	40-19	R81162	5D18	21	53-15	R82908	5G2	5	54-39
R78059	3E16	32	40-21	R81162	5D20	22	53-17	R82908	5G4	4	54-41
R78059	4E8	1	43-3	R81162	5D22	22	53-19	R82982	5F2	13	54-15
R78059	4E12	30	43-7	R81207	3F15	..	40-46	R82982	5F2	23	54-15
R78060	3H15	11	40-95	R81207	9F13	5	91-55	R82982	5F4	29	54-17
R78060	3H15	14	40-95	R81362	5D12	2	53-9	R82982	5F8	8	54-19
R78060	4D25	17	42-21	R81363	5D12	2	53-9	R83020	1F8	8	20-39
R78060	4E8	2	43-3	R81364	5D12	2	53-9	R83021	1F8	10	20-39
R78060	4E8	9	43-3	R81372	8G22	13	80-69	R83035	5E21	14	54-9
R78060	4E8	12	43-3	R81374	8G20	6	80-67	R83036	5E21	16	54-9
R78061	3H13	10	40-93	R81424	9G13	1	92-24	R83059	5E16	10	54-3
R78061	3H15	10	40-95	R81456	9E25	3	91-45	R83060	5E16	10	54-3
R78061	4D25	15	42-21	R81560	9G4	13	92-15	R83061	5E16	10	54-3
R78061	4E8	6	43-3	R81766	7E22	13	70-42	R83066	6F22	..	60-65
R78061	4E8	23	43-3	R81767	7E20	13	70-40	R83066	8H16	17	90-13
R78062	4E8	1	43-3	R81775	7E24	21	70-44	R83066	8H18	14	90-15
R78063	3F14	1	40-45	R81775	7E25	21	70-45	R83066	8H18	17	90-15
R78063	3H13	10	40-93	R81779	7E20	5	70-40	R83066	8H20	5	90-17
R78063	3H15	10	40-95	R81779	7E22	5	70-42	R83066	8H21	4	90-18
R78063	3H15	11	40-95	R81787	7E24	12	70-44	R83066	8H22	4	90-19
R78063	3H15	14	40-95	R81787	7E25	12	70-45	R83066	9F1	11	91-46
R78063	4D25	15	42-21	R81788	7E22	12	70-42	R83119	5E21	17	54-9
R78063	4D25	17	42-21	R81788	7E23	12	70-43	R83120	5E21	1	54-9
R78063	4E8	1	43-3	R81789	7E20	12	70-40	R83121	5E21	15	54-9
R78063	4E8	7	43-3	R81789	7E21	12	70-41	R83148	5E19	1	54-6
R78063	4E8	12	43-3	R81793	7E24	14	70-44	R83150	5E16	10	54-3
R78063	4E10	7	43-5	R81793	7E25	14	70-45	R83150	5E17	3	54-4
R78063	4E10	12	43-5	R81794	7E22	14	70-42	R83150	5F19	8	54-31
R78063	4E12	28	43-7	R81794	7E23	14	70-43	R83151	5E16	10	54-3
R78064	4E8	27	43-3	R81795	7E20	14	70-40	R83151	5E17	3	54-4
R78064	4E12	34	43-7	R81795	7E21	14	70-41	R83151	5F19	8	54-31
R78066	3F14	1	40-45	R81856	7E20	4	70-40	R83152	5E16	10	54-3
R78425	4E24	6	51-3	R81856	7E22	4	70-42	R83152	5E17	3	54-4
R78425	4H2	6	51-55	R81862	7E24	9	70-44	R83152	5F19	8	54-31
R79060	1F9	18	20-39A	R81862	7E25	9	70-45	R83474	5E16	14	54-3
R79060	2E25	18	30-39	R81864	7E20	9	70-40	R83474	5F13	14	54-25
R79060	2F12	18	30-49B	R81864	7E21	9	70-41	R83489	1F8	27	20-39
R79060	2F22	18	30-59	R81972	7E24	13	70-44	R83489	1G21	25	20-75
R79101	7E22	9	70-42	R81973	7E24	4	70-44	R83489	1I9	25	20-111
R79101	7E23	9	70-43	R81975	7E24	5	70-44	R83489	2E19	6	30-33
R79117	6D22	7	60-17B	R82007	1D24	21	20-11	R83489	2E19	8	30-33
R79604	2E23	22	30-37	R82007	1F18	22	20-47	R83489	2E21	7	30-35
R79604	2F8	20	30-47	R82007	1H5	22	20-83	R83489	2F1	..	30-40
R79604	2F20	22	30-57	R82236	3H5	4	40-85	R83489	2F6	4	30-45
R79605	2E23	23	30-37	R82236	3H7	4	40-87	R83489	2G3	8	30-67
R79605	2F8	21	30-47	R82237	3H5	2	40-85	R83489	2G5	4	30-69
R79605	2F20	23	30-57	R82237	3H7	2	40-87	R83490	1F8	27	20-39
R79606	2E23	24	30-37	R82238	3H5	3	40-85	R83490	1G21	25	20-75
R79606	2F8	22	30-47	R82238	3H7	3	40-87	R83490	1I9	25	20-111
R79606	2F20	24	30-57	R82239	3H5	1	40-85	R83531	7F24	2	70-69
R79846	1E11	5	20-17	R82239	3H7	1	40-87	R83532	7F24	2	70-69
R79846	1F25	5	20-54	R82243	3H5	7	40-85	R83533	7F24	2	70-69
R79846	1H14	5	20-92	R82272	9F9	27	91-53	R83534	7F24	2	70-69
R79915	1F8	23	20-39	R82272	9F11	55	91-53B	R83559	5E21	9	54-9
R79916	7F8	13	70-53	R82355	3H5	14	40-85	R83559	5G2	3	54-39
R79989	5D18	17	53-15	R82355	3H7	14	40-87	R83559	5G4	3	54-41
R79989	5D20	18	53-17	R82444	9F9	27	91-53	R83560	5E21	10	54-9
R79989	5D22	18	53-19	R82444	9F11	43	91-53B	R83560	5G2	3	54-39
R80436	6H11	10	60-99	R82445	9F9	27	91-53	R83560	5G4	3	54-41

NUMERICAL INDEX - CONTINUED

PART NO.	GRID	KEY	PAGE	PART NO.	GRID	KEY	PAGE	PART NO.	GRID	KEY	PAGE
R83562	3H15	1	40-95	R84618	1G23	16	20-77	R89142	9G2	14	92-13
R83575	7E20	8	70-40	R84619	1D18	17	20-5	R89143	9G2	5	92-13
R83575	7E21	8	70-41	R84619	1F11	17	20-41	R89581	4F23	2	51-27
R83576	7E22	8	70-42	R84619	1G23	17	20-77	R89581	4G14	3	51-43
R83576	7E23	8	70-43	R84976	1D18	12	20-5	R89879	1F8	7	20-39
R83577	7E24	8	70-44	R84977	1D18	13	20-5	R89879	1G21	16	20-75
R83577	7E25	8	70-45	R85027	1D21	14	20-8	R89879	1I9	16	20-111
R83630	7H23	22	70-117	R85027	1F15	14	20-44	R89879	2D19	17	30-11
R83720	2F16	6	30-53	R85027	1H2	14	20-80	R89879	2D23	12	30-15
R83720	2F25	6	30-62	R86061	1F5	3	20-37	R89879	2E2	12	30-19
R83721	2F16	6	30-53	R86061	1F6	3	20-37A	R89927	2E19	12	30-33
R83721	2F25	6	30-62	R86061	1G19	3	20-73	R89927	2E21	10	30-35
R83722	2F16	6	30-53	R86061	1I7	3	20-109	R89927	2F6	6	30-45
R83722	2F25	6	30-62	R86062	1F8	11	20-39	R89927	2G3	12	30-67
R83723	2F16	6	30-53	R86063	1G16	8	20-69	R89927	2G5	6	30-69
R83723	2F25	6	30-62	R86063	1I2	8	20-105	R89940	7E20	15	70-40
R83724	2F16	6	30-53	R86308	4F20	11	51-23	R89940	7E21	15	70-41
R83724	2F25	6	30-62	R86308	4H22	11	51-75	R89940	7E22	15	70-42
R83725	2F16	6	30-53	R86457	7E11	5	70-31	R89940	7E23	15	70-43
R83725	2F25	6	30-62	R86488	5F2	14	54-15	R89940	7E24	15	70-44
R83726	2F16	6	30-53	R86571	1D20	2	20-7	R89940	7E24	17	70-44
R83726	2F25	6	30-62	R86571	1F14	2	20-43	R89940	7E25	15	70-45
R83727	2F16	6	30-53	R86571	1H1	2	20-79	R89940	7E25	17	70-45
R83727	2F25	6	30-62	R86675	5D20	21	53-17	R89973	8F1	5	80-21
R83728	2F16	6	30-53	R86675	5D22	21	53-19	R89974	8F1	5	80-21
R83728	2F25	6	30-62	R86675	5D24	9	53-21	R90529	2F4	4	30-43
R83729	2F16	6	30-53	R86743	1F8	4	20-39	R90530	2F4	4	30-43
R83729	2F25	6	30-62	R86743	1G21	17	20-75	R90531	2F4	4	30-43
R83730	2F16	6	30-53	R86743	1I9	17	20-111	R90532	2F4	4	30-43
R83730	2F25	6	30-62	R87047	5F10	20	54-21	R90533	2F4	4	30-43
R83731	2F16	6	30-53	R87047	5F23	15	54-35	R90534	2F4	4	30-43
R83731	2F25	6	30-62	R87082	2E23	19	30-37	R90535	2F4	4	30-43
R83732	2F16	6	30-53	R87082	2F8	17	30-47	R90536	2F4	4	30-43
R83732	2F25	6	30-62	R87082	2F20	19	30-57	R90537	2F4	4	30-43
R83733	2F16	6	30-53	R87561	1D22	1	20-9	R90538	2F4	4	30-43
R83733	2F25	6	30-62	R87561	1D24	22	20-11	R90539	2F4	4	30-43
R83734	2F16	6	30-53	R87561	1E6	1	20-13D	R90540	2F4	4	30-43
R83734	2F25	6	30-62	R87561	1F16	1	20-45	R90541	2F4	4	30-43
R83735	2F16	6	30-53	R87561	1F18	23	20-47	R90542	2F4	4	30-43
R83735	2F25	6	30-62	R87561	1H3	1	20-81	R90543	2F4	4	30-43
R83736	2F16	6	30-53	R87561	1H5	23	20-83	R90544	2F4	4	30-43
R83736	2F25	6	30-62	R87656	9D10	2	91-5	R90584	7D19	35	70-11
R83737	2F16	6	30-53	R87682	2D19	10	30-11	R90917	8F1	5	80-21
R83737	2F25	6	30-62	R87907	2G7	17	30-71	R91729	7E20	10	70-40
R83738	2F16	6	30-53	R87907	2G7	25	30-71	R91729	7E21	10	70-41
R83738	2F25	6	30-62	R88167	9D10	3	91-5	R91730	7E22	10	70-42
R83739	2F16	6	30-53	R88246	5D16	15	53-13	R91730	7E23	10	70-43
R83739	2F25	6	30-62	R88246	5E4	22	53-27	R91731	7E24	10	70-44
R84015	5D14	16	53-11	R88397	1F5	4	20-37	R91731	7E25	10	70-45
R84262	5D14	3	53-11	R88397	1F6	4	20-37A	R91822	1D18	4	20-5
R84472	1F8	14	20-39	R88397	1F8	13	20-39	R91822	1F11	4	20-41
R84472	1G21	10	20-75	R88397	1G19	4	20-73	R91822	1G23	4	20-77
R84472	1I9	10	20-111	R88397	1G21	12	20-75	R91824	1F9	6	20-39A
R84472	2E23	16	30-37	R88397	1I7	4	20-109	R91824	2E25	6	30-39
R84472	2E23	17	30-37	R88397	1I9	12	20-111	R91824	2F12	6	30-49B
R84472	2F4	10	30-43	R88529	8H20	32	90-17	R91824	2F22	6	30-59
R84472	2F4	11	30-43	R88665	7G22	9	70-93	R91842	4G2	4	51-31
R84472	2F8	15	30-47	R88667	7G22	1	70-93	R91842	4G6	3	51-35
R84472	2F16	12	30-53	R88993	1F8	1	20-39	R91842	4I6	4	51-83
R84472	2F20	16	30-57	R88993	1G21	1	20-75	R91842	4I10	3	51-87
R84472	2F25	12	30-62	R88993	1I9	1	20-111	R91842	5F10	13	54-21
R84529	9F7	13	91-51	R89014	1F9	24	20-39A	R91842	5F23	11	54-35
R84529	9F9	15	91-53	R89014	2E25	24	30-39	R92097	1F8	6	20-39
R84570	5D16	15	53-13	R89014	2F12	24	30-49B	R92097	1G21	15	20-75
R84609	5D16	11	53-13	R89014	2F22	24	30-59	R92097	1I9	15	20-111
R84618	1D18	16	20-5	R89014	3E2	18	40-9	R92871	5F10	8	54-21
R84618	1F11	16	20-41	R89014	3E8	18	40-13	R92871	5F23	2	54-35

NUMERICAL INDEX - CONTINUED

PART NO.	GRID	KEY	PAGE	PART NO.	GRID	KEY	PAGE	PART NO.	GRID	KEY	PAGE
R92872	5F10	4	54-21	R95119	6E2	5	60-21B	R98885	5E17	6	54-4
R92872	5F23	6	54-35	R95250	6D23	9	60-18	R99039	4G3	2	51-32
R93008	2E19	6	30-33	R95430	2G9	18	30-73	R99039	4I7	2	51-84
R93008	2E19	9	30-33	R95654	8F12	31	80-33	R99047	1F9	24	20-39A
R93008	2E21	8	30-35	R95784	5E4	4	53-27	R99047	2E25	24	30-39
R93008	2F1	..	30-40	R95800	3H17	9	40-97	R99047	2F12	28	30-49B
R93008	2F6	3	30-45	R95866	8G16	8	80-63	R99047	2F22	28	30-59
R93008	2F13	..	30-50	R96066	3I23	4	41-13	R99047	3E2	18	40-9
R93008	2F23	..	30-60	R96214	9E25	8	91-45	R99047	3E8	18	40-13
R93008	2G3	9	30-67	R96248	8H16	1	90-13	R99088	5E24	25	54-13
R93008	2G3	11	30-67	R96293	7F8	4	70-53	R99088	5F2	30	54-15
R93008	2G5	3	30-69	R96295	7F8	3	70-53	R99088	5F4	33	54-17
R93055	5F2	25	54-15	R96606	1F3	17	20-35	R99233	3H17	7	40-97
R93055	5F4	31	54-17	R96616	1F3	18	20-35	R99233	3H19	3	40-99
R93175	8H16	14	90-13	R96616	1F4	5	20-36	R99353	5F10	14	54-21
R93219	4E15	1	43-10	R96616	1F8	28	20-39	R99437	8E22	9	80-17
R93220	4E15	1	43-10	R96622	1F3	16	20-35	R99437	8E24	5	80-19
R93221	4E15	1	43-10	R96703	3I21	5	41-11	R99463	1E17	7	20-23
R93222	4E15	1	43-10	R96753	9F1	5	91-46	R99464	1E17	14	20-23
R93308	1D18	16	20-5	R97061	1F9	4	20-39A	R99464	1F8	20	20-39
R93308	1F11	16	20-41	R97061	2E23	29	30-37	R99466	5D16	17	53-13
R93308	1G23	16	20-77	R97061	2E25	4	30-39	R99498	5F10	10	54-21
R93311	1D18	17	20-5	R97061	2F8	27	30-47	R99499	5F10	15	54-21
R93311	1F11	17	20-41	R97061	2F12	4	30-49B	R99499	5F23	12	54-35
R93311	1G23	17	20-77	R97061	2F20	29	30-57	R99510	5E18	1	54-5
R93312	1D18	16	20-5	R97061	2F22	4	30-59	R99531	2F13	1	30-50
R93312	1F11	16	20-41	R97116	4F4	4	51-7	R99531	2F23	1	30-60
R93312	1G23	16	20-77	R97116	4H6	4	51-59	R99673	5F10	16	54-21
R93313	1D18	17	20-5	R97332	8H16	7	90-13	R99673	5F23	20	54-35
R93313	1F11	17	20-41	R97332	8H16	11	90-13	R99692	4F23	9	51-27
R93313	1G23	17	20-77	R97332	8H20	13	90-17	R99692	4F23	21	51-27
R93314	1D18	16	20-5	R97549	5E21	5	54-9	R99692	4F25	33	51-29
R93314	1F11	16	20-41	R97588	9F5	14	91-49	R99692	4G2	18	51-31
R93314	1G23	16	20-77	R97588	9F7	12	91-51	R99692	4G2	30	51-31
R93315	1D18	17	20-5	R97588	9F7	37	91-51	R99692	4I2	9	51-79
R93315	1F11	17	20-41	R97588	9F9	10	91-53	R99692	4I2	21	51-79
R93315	1G23	17	20-77	R97588	9F9	14	91-53	R99692	4I4	33	51-81
R93349	1D18	13	20-5	R97605	5E24	9	54-13	R99692	4I6	18	51-83
R93350	1D18	12	20-5	R98012	4G14	9	51-43	R99692	4I6	30	51-83
R93485	5E4	6	53-27	R98012	4I18	9	51-95	R99692	5D6	5	53-3
R93849	6F14	12	60-57	R98012	5E17	8	54-4	R99692	5D8	5	53-5
R93849	6F16	12	60-59	R98012	5F10	1	54-21	TY15939	7J10	2	70-153
R93948	1E14	11	20-20	R98012	5F17	4	54-29	TY15939	8H10	..	90-7
R93948	1G6	11	20-58	R98012	5F23	21	54-35	TY15949	8H5	..	90-1
R93948	1H17	11	20-95	R98064	1E23	15	20-29	TY15950	8H5	..	90-1
R94410	2F4	6	30-43	R98064	1G14	6	20-66	TY15951	8H5	..	90-1
R94412	2F4	7	30-43	R98064	1G16	4	20-69	TY16004	1D15	2	20-2
R94414	2F4	9	30-43	R98064	1I2	4	20-105	TY16005	1D15	3	20-2
R94545	5D18	22	53-15	R98064	1I4	6	20-107	TY16021	5D14	..	53-11
R94615	1E23	8	20-29	R98322	7E20	17	70-40	TY16021	5D22	..	53-19
R94618	1E23	1	20-29	R98322	7E21	17	70-41	TY16021	7F6	..	70-51
R94618	1F8	33	20-39	R98323	7E20	20	70-40	TY16306	9E23	7	91-43
R94619	1E23	3	20-29	R98323	7E21	20	70-41	TY16423	1D15	..	20-2
R94619	1F8	29	20-39	R98412	2D15	7	30-7	TY22007	1D14	2	20-1
R94620	1E23	9	20-29	R98412	2D15	9	30-7	TY22008	1D14	2	20-1
R94655	5D18	13	53-15	R98500	1F9	25	20-39A	TY22009	1D14	1	20-1
R94655	5D22	14	53-19	R98500	2E25	25	30-39	TY22010	1D14	2	20-1
R95045	4F4	15	51-7	R98500	2F12	29	30-49B	TY22011	1D14	2	20-1
R95045	4F18	4	51-21	R98500	2F22	29	30-59	TY22041	1D14	..	20-1
R95045	4H6	15	51-59	R98500	3E2	19	40-9	TY22042	1D14	..	20-1
R95045	4H20	4	51-73	R98500	3E8	19	40-13	TY22043	7D9	2	70-1
R95045	5D10	12	53-7	R98527	1G8	13	20-60	TY22044	7D9	2	70-1
R95065	7D19	37	70-11	R98527	1G18	..	20-71	TY22063	7D9	2	70-1
R95110	5E22	9	54-10	R98527	1H20	13	20-98	TY22064	1D14	1	20-1
R95117	6D23	3	60-18	R98527	1I6	..	20-108A	TY22065	1D14	1	20-1
R95118	6D23	2	60-18	R98809	5E22	7	54-10	TY22066	1D14	1	20-1
R95119	6D23	5	60-18	R98810	5E22	10	54-10	TY22067	1D14	1	20-1

NUMERICAL INDEX - CONTINUED

PART NO.	GRID	KEY	PAGE	PART NO.	GRID	KEY	PAGE	PART NO.	GRID	KEY	PAGE
TY22068	1D14	1	20-1	TY6394	1D14	2	20-1	T146102	3I14	8	41-4
TY22069	1D14	1	20-1	TY6731	3I14	10	41-4	T146102	3I15	10	41-4A
TY22070	1D14	1	20-1	TY6762	3E2	10	40-9	T146102	3I16	6	41-5
TY22073	1D14	1	20-1	TY6762	3E8	10	40-13	T146102	3I19	3	41-8
TY22074	1D14	1	20-1	TY6762	3I11	2	41-1	T146102	3I21	4	41-11
TY22328	8H14	3	90-11	TY6762	3I13	8	41-3	T146102	8G12	6	80-59
TY22413	1I11	19	20-113	TY6762	3I13	..	41-3	T146104	3I14	12	41-4
TY22413	8H14	7	90-11	TY6764	3E2	4	40-9	T146104	3I15	15	41-4A
TY22425	2D19	10	30-11	TY6764	3E8	4	40-13	T146104	3I16	13	41-5
TY22425	2D19	13A	30-11	TY6764	8H5	2	90-1	T146104	3I19	9	41-8
TY22462	1I11	3	20-113	TY6781	3E2	20	40-9	T146104	3I21	8	41-11
TY22462	1I11	33	20-113	TY6781	3I14	11	41-4	T146104	8G22	8	80-69
TY22462	1I13	7	20-115	TY6781	3I18	..	41-7	T146106	3I14	12	41-4
TY22462	1I13	15	20-115	TY6781	3I23	5	41-13	T146106	3I15	15	41-4A
TY22462	2G7	1	30-71	T107035	7H23	11	70-117	T146106	3I16	13	41-5
TY22462	6F22	10	60-65	T107035	7H25	13	70-119	T146106	3I19	9	41-8
TY22462	7I18	2	70-137	T11180	2D19	1	30-11	T146106	3I21	8	41-11
TY22462	8H20	31	90-17	T11180	2D23	3	30-15	T146106	8G20	11	80-67
TY22464	6F22	26	60-65	T11180	2E2	3	30-19	T146515	3I14	12	41-4
TY22465	2G7	29	30-71	T112635	7J6	5	70-149	T146515	3I15	15	41-4A
TY22465	4G22	8	51-51	T112635	7J8	5	70-151	T146515	3I16	13	41-5
TY22465	4G24	5	51-53	T116274	4D25	1	42-21	T146515	3I19	9	41-8
TY22465	6H23	23	60-109	T116275	4D25	1	42-21	T146515	3I21	8	41-11
TY22465	6H25	23	60-111	T11899	6G14	40	60-77	T146516	3I14	12	41-4
TY22465	8H14	9	90-11	T11899	7I20	7	70-139	T146516	3I15	15	41-4A
TY22465	8H14	10	90-11	T121280	4G10	28	51-39	T146516	3I16	13	41-5
TY22465	8H14	12	90-11	T121280	4I14	28	51-91	T146516	3I19	9	41-8
TY22465	8H14	13	90-11	T121280	7D11	21	70-3	T146516	3I21	8	41-11
TY22467	2D19	9	30-11	T122075	7I8	5	70-127	T146517	3I14	12	41-4
TY22467	6H13	27	60-101	T12529	5E16	20	54-3	T146517	3I15	15	41-4A
TY22467	8H14	30	90-11	T12529	5F13	20	54-25	T146517	3I16	13	41-5
TY22467	8H20	24	90-17	T131169	6I2	7	60-113	T146517	3I19	9	41-8
TY22471	3I16	8	41-5	T13119	2E9	9	30-27	T146517	3I21	8	41-11
TY22471	3I19	5	41-8	T13331	5E16	17	54-3	T151797	7G8	6	70-77
TY22472	7E5	21	70-23	T13331	5F13	17	54-25	T155858	2E9	5	30-27
TY22473	3H15	6	40-95	T13332	5E16	17	54-3	T155858	2E10	4	30-28
TY22473	7E5	21	70-23	T13332	5F13	17	54-25	T15712	7H25	19	70-119
TY22474	8H10	19	90-7	T13333	5E16	17	54-3	T15712	7I2	2	70-121
TY22475	3H15	6	40-95	T13333	5F13	17	54-25	T15712	7I4	2	70-123
TY22475	5F11	3	54-22	T13814	4F16	5	51-19	T15712	7I10	2	70-129
TY22485	1I11	36	20-113	T13814	4H18	5	51-71	T15712	7I12	11	70-131
TY22486	1I11	1	20-113	T13814	6E4	10	60-23	T15969	3F21	2	40-53
TY22486	1I11	40	20-113	T13814	6E4	11	60-23	T17148	6D7	4	60-3
TY22486	2D13	4	30-5	T13814	6E4	24	60-23	T18012	2F12	22	30-49B
TY24446	1D19	..	20-6	T13814	6E4	25	60-23	T18012	2F22	22	30-59
TY24446	1F12	..	20-42	T13814	6E6	10	60-25	T19935	4D17	15	42-13
TY24446	1G24	..	20-78	T13814	6E6	11	60-25	T20077	1D18	2	20-5
TY3018	7J9	3	70-152	T13814	6E6	32	60-25	T20077	1F11	2	20-41
TY3019	7J9	3	70-152	T13814	6E6	34	60-25	T20077	1G23	2	20-77
TY6128	3I22	1	41-12	T13814	6F6	20	60-51	T20129	1D18	1	20-5
TY6280	1D14	1	20-1	T13814	6G8	20	60-71	T20129	1F11	1	20-41
TY6297	1D14	1	20-1	T13814	6G8	21	60-71	T20129	1G23	1	20-77
TY6298	1D14	1	20-1	T13814	6G10	21	60-73	T20328	1F8	21	20-39
TY6300	1D14	1	20-1	T13814	6G12	11	60-75	T21242	1E21	3	20-27
TY6301	1D14	1	20-1	T138822	3E24	6	40-29	T21242	1G11	3	20-63
TY6311	1D14	1	20-1	T138822	3H9	4	40-89	T21242	1H24	3	20-103
TY6312	1D14	1	20-1	T138822	3H13	10	40-93	T21959	6F8	20	60-51B
TY6313	1D14	1	20-1	T142419	7I2	6	70-121	T22085T	8F20	5	80-41
TY6359	1D14	1	20-1	T142419	7I4	5	70-123	T22828	6D22	9	60-17B
TY6360	1D14	1	20-1	T142419	7I10	6	70-129	T23027	8G2	2	80-49
TY6361	1D14	1	20-1	T143166	3D22	1	40-5	T23033	8G2	3	80-49
TY6364	1D14	1	20-1	T143166	4H20	2	51-73	T23891	1E13	2	20-19
TY6389	1D14	2	20-1	T143166	5D10	10	53-7	T23891	1G4	2	20-56
TY6390	1D14	2	20-1	T143169	8H10	24	90-7	T23891	1H16	2	20-94
TY6391	1D14	2	20-1	T143169	8H12	18	90-9	T24166	4E13	1	43-8
TY6392	1D14	2	20-1	T14386	1J9	11	20-137	T24167	4E13	9	43-8
TY6393	1D14	2	20-1	T14386	6H19	17	60-107	T24210	2F1	2	30-40

NUMERICAL INDEX - CONTINUED

PART NO.	GRID	KEY	PAGE	PART NO.	GRID	KEY	PAGE	PART NO.	GRID	KEY	PAGE
T24210	2F13	2	30-50	T77613	4F8	4	51-11	T77857	7D23	39	70-15
T24210	2F23	2	30-60	T77613	4F12	20	51-15	T77857	7D25	3	70-17
T25879	7G18	4	70-89	T77613	4H8	21	51-61	T77857	7D25	39	70-17
T26565	4F14	12	51-17	T77613	4H10	13	51-63	T77857	7F2	12	70-47
T26565	4F18	22	51-21	T77613	4H14	20	51-67	T77857	7F4	12	70-49
T26565	4H16	12	51-69	T77613	5D14	11	53-11	T77857	7I16	9	70-135
T26565	4H20	22	51-73	T77613	5E22	14	54-10	T77857	7J2	1	70-145
T27260	9F5	18	91-49	T77613	5F15	7	54-27	T77857	7J2	5	70-145
T27860	1E16	2	20-22	T77613	6D19	15	60-15	T77857	7J2	7	70-145
T27860	1G7	2	20-59	T77613	6E4	4	60-23	T77857	7J2	26	70-145
T27860	1H19	2	20-97	T77613	6E6	28	60-25	T77857	8F6	5	80-27
T28631	4D16	4	42-12	T77613	6E8	28	60-27	T77858	4F6	10	51-9
T30349	5E24	11	54-13	T77613	6F6	6	60-51	T77858	4F8	15	51-11
T32146	8F16	1	80-37	T77613	6F10	13	60-53	T77858	4H8	10	51-61
T34248	6D24	4	60-19	T77613	6F12	10	60-55	T77858	4H10	15	51-63
T35390	1D24	11	20-11	T77613	6G8	3	60-71	T77858	4H10	30	51-63
T35390	1F18	14	20-47	T77613	6G8	5	60-71	T77858	6D19	16	60-15
T35390	1H5	14	20-83	T77613	6G8	14	60-71	T77858	6E16	3	60-35
T39741	4G12	4	51-41	T77613	6G10	3	60-73	T77858	6F8	16	60-51B
T39741	4G14	13	51-43	T77613	6G10	5	60-73	T77858	7D23	6	70-15
T39741	4I8	3	51-85	T77613	6G10	14	60-73	T77858	7D23	8	70-15
T39741	4I16	4	51-93	T77613	6G12	3	60-75	T77858	7D25	8	70-17
T39741	4I18	13	51-95	T77613	6G12	5	60-75	T77858	7E3	1	70-21
T42302	6E10	8	60-29	T77613	6G14	1	60-77	T77858	7E7	18	70-25
T42302	6E14	7	60-33	T77613	6G22	13	60-85	T77858	7J4	15	70-147
T42302	7D23	27	70-15	T77613	6H4	8	60-91	T77932	4F8	3	51-11
T42302	7D25	27	70-17	T77613	6H6	8	60-93	T77932	4F12	23	51-15
T42571	6E20	4	60-39	T77613	6H8	8	60-95	T77932	4H14	23	51-67
T42571	6E22	2	60-41	T77613	7D23	15	70-15	T77932	6D19	9	60-15
T42571	6G5	4	60-69D	T77613	7D25	15	70-17	T77932	6E20	19	60-39
T44824	4G12	5	51-41	T77613	7H14	2	70-107	T77932	6E20	31	60-39
T44824	4I16	5	51-93	T77613	7I16	3	70-135	T77932	6E22	14	60-41
T44931	5E6	4	53-29	T77613	7I20	2	70-139	T77932	6F6	9	60-51
T44932	5E6	4	53-29	T77613	7I22	16	70-141	T77932	6F8	14	60-51B
T44933	5E6	4	53-29	T77613	7I22	17	70-141	T77932	6F22	9	60-65
T44934	5E6	4	53-29	T77613	8D19	5	71-17	T77932	6F24	17	60-67
T44935	5E6	4	53-29	T77613	8D19	7	71-17	T77932	6G3	17	60-69B
T44936	5E6	4	53-29	T77613	8F6	3	80-27	T77932	6G5	2	60-69D
T44937	5E6	4	53-29	T77613	8H10	31	90-7	T77932	7D23	28A	70-15
T47649	6E14	3	60-33	T77814	6D19	6	60-15	T77932	7D23	41	70-15
T47649	7D23	11	70-15	T77814	6G14	26	60-77	T77932	7D25	41	70-17
T49616	7D11	17	70-3	T77814	7D19	31	70-11	T77932	7F2	6	70-47
T519T	9G2	2	92-13	T77814	7D21	7	70-13	T77932	7F4	6	70-49
T54904	7D19	22	70-11	T77857	2G7	15	30-71	T77932	7J4	16	70-147
T55585	2E9	1	30-27	T77857	4F8	2	51-11	T78313	7D13	6	70-5
T55585	3F21	1	40-53	T77857	4F12	14	51-15	T78313	7D25	6	70-17
T57246	6F24	18	60-67	T77857	4G20	9	51-49	T79477	7I18	4	70-137
T57246	6F24	20	60-67	T77857	4G22	2	51-51	T79477	7I18	5	70-137
T57822	6F6	19	60-51	T77857	4G24	3	51-53	T79477	7I18	7	70-137
T60657	7D19	29	70-11	T77857	4H10	2	51-63	T79477	7I22	11	70-141
T60657	7D21	5	70-13	T77857	4H14	14	51-67	T81686	7H25	20	70-119
T61226	5E16	12	54-3	T77857	5D14	24	53-11	T81686	7I2	1	70-121
T61226	5E17	3	54-4	T77857	5D14	29	53-11	T81686	7I4	1	70-123
T61226	5F13	10	54-25	T77857	5E22	17	54-10	T81686	7I10	1	70-129
T65643	9E8	13	91-27	T77857	6E4	5	60-23	T81686	7I12	12	70-131
T70177	7I14	6	70-133	T77857	6E6	5	60-25	UN7189	5D14	..	53-11
T70659	7F2	14	70-47	T77857	6E6	12	60-25	U10289	4G12	10	51-41
T70659	7F4	14	70-49	T77857	6E6	16	60-25	U10289	4I16	10	51-93
T71307	4F8	11	51-11	T77857	6E8	5	60-27	U10289	6E14	9	60-33
T72280	7D19	30	70-11	T77857	6E8	12	60-27	U10289	7D23	14	70-15
T72280	7D21	6	70-13	T77857	6F8	4	60-51B	U10289	7D25	14	70-17
T72350	9G2	6	92-13	T77857	6F8	13	60-51B	U10289	7E7	26	70-25
T74416	8H10	7	90-7	T77857	6G8	19	60-71	U10624	5D12	9	53-9
T74425	7F6	5	70-51	T77857	6G10	19	60-73	U11326	3D20	2	40-3
T76938	7E7	21	70-25	T77857	6G12	6	60-75	U11326	3D20	10	40-3
T76938	7F2	25	70-47	T77857	6G14	38	60-77	U11326	3D22	7	40-5
T76938	7F4	25	70-49	T77857	7D23	3	70-15	U11326	4F4	14	51-7

1L25

8100, 8200, 8300, 8400 TRACTORS

NUMERICAL INDEX - CONTINUED

PART NO.	GRID	KEY	PAGE	PART NO.	GRID	KEY	PAGE	PART NO.	GRID	KEY	PAGE
U11326	4F4	22	51-7	U4662	4E13	9	43-8				
U11326	4F18	2	51-21	U46662	3F21	4	40-53				
U11326	4F18	26	51-21	W27358	8D15	27	71-13				
U11326	4H6	14	51-59	Z27858	7H18	7	70-111				
U11326	4H6	22	51-59	Z44689	4D11	3	42-7				
U11326	4H20	26	51-73	Z44689	4D23	3	42-19				
U11326	5D10	10	53-7								
U11326	7H23	33	70-117								
U11326	7H25	17	70-119								
U11647	7F6	4	70-51								
U11647	7J9	1	70-152								
U12547	7H23	2	70-117								
U12547	7I10	22	70-129								
U12547	7I10	30	70-129								
U12547	7J4	17	70-147								
U13639	1D24	4	20-11								
U13639	1E25	5	20-31								
U13639	1F1	6	20-32								
U13639	1F8	24	20-39								
U13639	1F18	7	20-47								
U13639	1G21	23	20-75								
U13639	1H5	7	20-83								
U13639	1I9	23	20-111								
U13639	1J3	2	20-130								
U15974	7H23	12	70-117								
U15974	7H25	15	70-119								
U17409	1E23	6	20-29								
U17409	1F8	30	20-39								
U17409	1G14	7	20-66								
U17409	1G16	5	20-69								
U17409	1G16	15	20-69								
U17409	1G21	26	20-75								
U17409	1I2	5	20-105								
U17409	1I2	15	20-105								
U17409	1I4	7	20-107								
U17409	1I9	26	20-111								
U17409	6E20	28	60-39								
U17409	6E22	9	60-41								
U17409	6F24	10	60-67								
U17409	6G3	10	60-69B								
U17409	6G5	11	60-69D								
U17409	7H23	7	70-117								
U17409	7H25	24	70-119								
U17409	7I10	18	70-129								
U17409	7I10	31	70-129								
U40708	7D17	7	70-9								
U41966	3D20	2	40-3								
U41966	3D20	10	40-3								
U41966	3D22	1	40-5								
U41966	3D22	7	40-5								
U41966	3D24	14	40-7								
U41966	3E6	13	40-11								
U41966	4F4	14	51-7								
U41966	4F4	20	51-7								
U41966	4F18	2	51-21								
U41966	4F18	3	51-21								
U41966	4H6	14	51-59								
U41966	4H6	20	51-59								
U41966	4H20	2	51-73								
U41966	4H20	3	51-73								
U41966	5D10	10	53-7								
U41966	5D10	11	53-7								
U42016	7D11	18	70-3								
U42111	5D12	12	53-9								
U44496	4G16	3	51-45								
U45916	9F11	44	91-53B								
U46335	6D21	2	60-17								